



Care, Use & Inspection	16
Herc-Alloy 1000 Chain	17
Herc-Alloy 1000 Slings	18-19
Herc-Alloy 1000 Components	20-21
Master Link	22
Sub-Assembly	22
Pear Shape Master Link	23
Hammerlok	23
Chain Shortener	24
Rigging Hook	24
Clevlok Sling Hook	25
Eye Sling Hook	25
Clevlok Cradle Grab Hook	26
Eye Cradle Grab Hook	26
Clevlok Foundry Hook	27
Eye Foundry Hook	27
Web-Hammerlok Hook	28
Web-Weblok Hook	28
Clevlok Style Lodelok Hook	29
Eye Style Lodelok Hook	29
Swivel Style Lodelok Hook	30

Herc-Alloy 1000

HERC-ALLOY® 1000

Care, Use & Inspection

The life and strength of Herc-Alloy 1000 chain slings depend on proper inspection, maintenance and use. For additional information, refer to ASME B30.9 and OSHA 1910.184.

Care

- Chain requires careful storage and regular maintenance.
- Store chains on an A frame in a clean, dry place.
- To avoid corrosion, oil chains before prolonged storage.
- Do not heat Herc-Alloy 1000 chain; this will alter its thermal treatment.

Use

To protect both operators and materials, observe these precautions when using chain slings:

- Before use, inspect chain and attachments following the instructions under "Inspection" below.
- Do not exceed working load limit. Any of the factors listed here can reduce the load the chain will hold:
 - Acceleration in rate of load application can produce dangerous overloads.
 - Variations in the angle of the load to the sling, as the angle decreases, the working load of the sling will increase.
 - Twisting, knotting or kinking, subjects links to unusual loading, decreasing the working load of the sling.
 - Use for purposes other than those for which slings are intended, can reduce the working load of the sling.
- Free chain of all twists, knots and kinks.
- Center load in hook(s); hook latch must not support load.
- Avoid sudden jerks when lifting or lowering load.
- Balance all loads; avoid tipping of loads.
- Use pads around sharp corners.
- Do not drop load on chains.
- Match the size and working load limits of attachments such as hooks and rings to the size and working load limits of the chain.
- For overhead lifting, use only alloy chain and attachments.

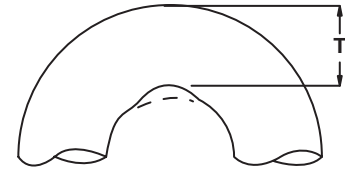
Inspection

It is important both to inspect chain slings regularly and to keep a record of all chain inspections. Follow this guide for such an inspection system.

- Before inspecting, clean chain with a non-acid/non-caustic solvent so that marks, nicks, wear and other defects are visible.
- Inspect each link for these conditions:
 - Twists and bends.
 - Nicks or gouges.
 - Excessive wear at bearing points
- Stretch
- Distorted or damaged master links, coupling links or attachments, especially spread in throat opening of hooks.
- Mark plainly with paint each link or attachment showing any of the conditions listed here to indicate rejection; remove from service until properly repaired.

Wear Allowances of Herc-Alloy1000 Chain

Measure cross section at link ends to determine wear. If chain is worn to less than the minimum allowable thickness, remove from service.



Chain Size		Minimum Allowable Thickness (T)	
in.	mm	in.	mm
7/32	5.5	0.189	4.8
9/32	7.0	0.239	6.1
3/8	10.0	0.342	8.7
1/2	13.0	0.443	11.3
5/8	16.0	0.546	13.9
3/4	20.0	0.687	17.5

CM Chain Inspection Programs

CM provides chain users with a wide range of informative materials and instructive programs on chain and chain inspection. Our colorful chain safety poster/chart and our fact-filled booklet, "CM Lifting, Pulling & Binding Products Manual PMC-10," are available on request.

Use of Chain & Components Under Extreme Temperature Conditions

When the chain itself is subjected to temperatures shown here, working load limits should be reduced as indicated.

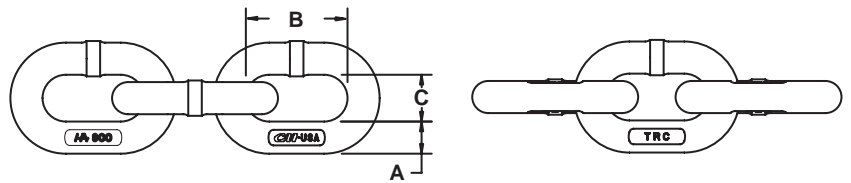
Temperature		Reduction of Working Load Limit	
		While at Temperature	After Exposure to Temperature
°F	°C		
Below 400	Below 204	None	None
400	204	15%	None
500	260	25%	5%
600	316	30%	15%
700	371	40%	20%
800	427	50%	25%
900	482	60%	30%
1000	538	70%	35%

The identification tag found on each chain sling contains this information:

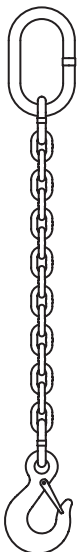
- Grade • Size • Reach • Serial Number • Number of Legs
- Working Load Limit (at a specific angle of lift)



- Meets or exceeds many national and international standards
- 25% higher working load limit when compared to Grade 80
- Environmentally friendly gray coating for distinct appearance, ease of identification
- Certification included with every drum
- 100% proof tested



Chain Size	Working Load Limit	Chain Part #	Nominal Chain Dimensions			Approx. Weight	Approx No. Of Links	Drum		
			A	B	C			Part #	Length	Approx Weight
Imperial										
in.	lb.		in.	in.	in.	lb./ft.	per ft.		ft.	lb.
7/32	2,700	607321	0.218	0.676	0.312	0.44	17.8	677310	800	354
9/32	4,300	607328	0.281	0.883	0.395	0.73	13.6	677311	500	365
3/8	8,800	607339	0.394	1.247	0.574	1.44	9.6	677313	500	720
1/2	15,000	607351	0.512	1.559	0.734	2.46	7.7	677315	300	738
5/8	22,600	607363	0.630	1.916	0.855	3.70	6.3	677316	200	740
3/4	35,300	607378	0.787	2.397	1.070	5.80	5.0	677317	100	577



How to Select and Order the Proper Chain Sling

1. Determine the weight and configuration of the load(s) to be lifted.
2. Determine the type of chain sling required, according to weight and configuration.
3. Determine the size of the body chain according to the working load limits. Be sure to take into consideration the effect of the required angle. The working load limit is the maximum load in pounds which should ever be applied in direct tension to a straight length of chain.
4. Determine the reach required to give the desired angle. The reach is measured from the upper bearing surface of the master link to the bearing surface of the lower attachment. If chain slings are to be used in pairs and are to be matched for reach, please indicate when ordering.

HERC-ALLOY® Slings

1000

Types of Chain Slings

In describing the type, the following symbols should be used if attachments are other than standard, give detail specifications.

First symbol (basic type)

- S** Single chain sling
- C** Single choker chain sling with a standard end link on each end, no hook
- D** Double branch chain sling (2 legs)
- T** Triple branch chain sling (3 legs)
- Q** Quad branch chain sling (4 legs)

Second symbol (type of master link or end link)

- O** Oblong master link of standard dimensions

Third symbol (type of hook)

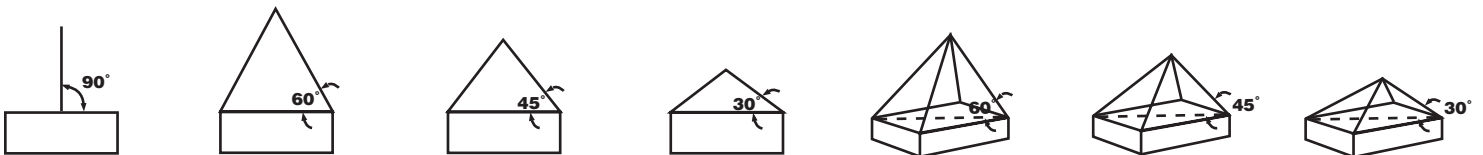
- S** Sling hook
- G** Grab hook
- F** Foundry hook
- L** Lodelok hook

Additional coding is defined as follows

- AS** Adjustable single
- ES** Endless single
- SAL** Single adjustable loop
- AD** Adjustable double
- SB** Single basket
- ED** Endless double
- DAL** Double adjustable loop
- DB** Double basket

SLING CONFIGURATION	Single (1 Leg)		Double (2 Legs)			Triple (3 Legs)			Quad (4 Legs)		
	Working Load Limits for Angles Available (shown Below) for each Sling Type										
Chain size	90°	60°	45°	30°	60°	45°	30°	60°	45°	30°	
in.	lb.										
7/32	2,700	4,700	3,800	2,700	7,000	5,700	4,000	7,000	5,700	4,000	
9/32	4,300	7,400	6,100	4,300	11,200	9,100	6,400	11,200	9,100	6,400	
3/8	8,800	15,200	12,400	8,800	22,900	18,700	13,200	22,900	18,700	13,200	
1/2	15,000	26,000	21,200	15,000	39,000	31,800	22,500	39,000	31,800	22,500	
5/8	22,600	39,100	32,000	22,600	58,700	47,900	33,900	58,700	47,900	33,900	
3/4	35,300	61,100	49,900	35,300	91,700	74,900	53,000	91,700	74,900	53,000	

DO NOT USE AT ANGLES SMALLER THAN 30°





Single Adjustable

Adjusters on sling allow for easy and safe take up of chain when applications require shorter leg lengths, or when lifting objects of abnormal sizes. Specialty chain slings can be manufactured to suit your specific lifting applications.



Double Adjustable

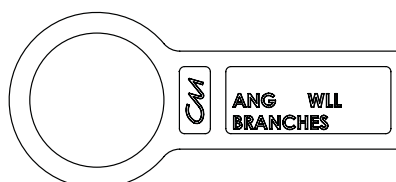
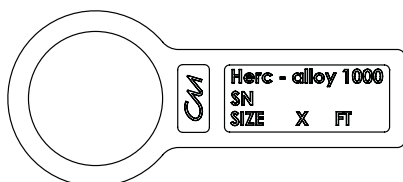
SLING CONFIGURATION	Single Basket	Double Basket	Single Endless	Double Endless
Chain Size	Working Load Limits			
	60°	60°	60°	60°
in.	lb.			
7/32	4,700	7,000	2,700	4,700
9/32	7,400	11,200	4,300	7,400
3/8	15,200	22,900	8,800	15,200
1/2	26,000	39,000	15,000	26,000
5/8	39,100	58,700	22,600	39,100
3/4	61,100	91,700	35,300	61,600

DO NOT USE AT ANGLES SMALLER THAN 60°

American National Standard ANSI B30.9, the National Association of Chain Manufacturers (NACM) and the Occupation Safety & Health Administration (OSHA) recommend only the use of alloy steel chain for overhead lifting, i.e. sling chain. Slings may be constructed by the user using Herc Alloy chain, Herc Alloy 1000 or Herc Alloy 800 chain and attachments.

CM Alloy chain slings are provided with a durable metal identification tag. The tag is typically affixed to a master coupling link and contains the following data:













- A. Size of sling
- B. Reach of sling
- C. Working load limit at 90° on a single and 60° from horizontal on multi-leg slings
- D. Serial number
- E. Columbus McKinnon (Manufacturer's name) and grade of sling
- F. Number of branches



HERC-ALLOY® Components 1000

Columbus McKinnon is a leader in the Overhead Lifting Industry. Since trade marking Herc Alloy in 1936, we have continued to add overhead lifting products as required by the industry. Trademarked products such as Herc-Alloy chain, Clevlok hooks, Hammerlok couplers, and Lodelok attachments represent a few of the most-recognized and widely-used products in the industry. From master links to eye hooks, we have lifted the industry to new heights with the introduction of Herc-Alloy 1000. We have one of the most comprehensive lines of high grade overhead lifting chain and attachments in the industry. All our products are made by Columbus McKinnon to assure form and fit.

**Herc-Alloy 1000 - a vital part of
“CM Complete Lifting Systems”
From Beam.....to Hoist.....to Below the Hook**

Chain Size		COMPONENTS									
		Chain (Bulk)	Chain (Drum)	Master Link	Sub-Assembly	Pear Shaped Master Link	Hammerlok	Chain Shortener	Rigging Hook	Clevlok Sling Hook w/ Latch	Clevlok Sling Hook w/o Latch
In.	mm	Page 17	Page 17	Page 22	Page 22	Page 23	Page 23	Page 24	Page 24	Page 25	Page 25
											
7/32	5.5	607321	677310	555231	-	554702	N/A	N/A	M7502A	N/A	N/A
9/32	7	607328	677311	555232	-	554702	667028-2	M71805A-2	M7503A	657718	557718
3/8	10	607339	677313	555235	-	554702	667038-2	M71806A-2	M7504A	657719	557719
1/2	13	607351	677315	555238	-	554706	667050-2	M71808A-2	M7505A	657720	557720
5/8	16	607363	677316	555238	-	554710	667062-2	M71810A-2	M7507A	657721	557721
3/4	20	607378	677317	555240	-	554714	667075-2	N/A	M7509A	657722	553722
7/32	5.5	607321	677310	555231	-	554702	N/A	N/A	M7502A	N/A	N/A
9/32	7	607328	677311	555232	-	554702	667028-2	M71805A-2	M7503A	657718	557718
3/8	10	607339	677313	555235	-	554706	667038-2	M71806A-2	M7504A	657719	557719
1/2	13	607351	677315	555238	-	554710	667050-2	M71808A-2	M7505A	657720	557720
5/8	16	607363	677316	555240	-	554714	667062-2	M71810A-2	M7507A	657721	557721
3/4	20	607378	677317	555243	-	554719	667075-2	N/A	M7509A	657722	553722
7/32	5.5	607321	677310	-	555274	554702	N/A	N/A	M7502A	N/A	N/A
9/32	7	607328	677311	-	555275	554706	667028-2	M71805A-2	M7503A	657718	557718
3/8	10	607339	677313	-	555276	554710	667029-2	M71806A-2	M7504A	657719	557719
1/2	13	607351	677315	-	555277	554714	667030-2	M71808A-2	M7505A	657720	557720
5/8	16	607363	677316	-	555278	554719	667031-2	M71810A-2	M7507A	657721	557721
3/4	20	607378	677317	-	555279	554726	667032-2	N/A	M7509A	657722	553722



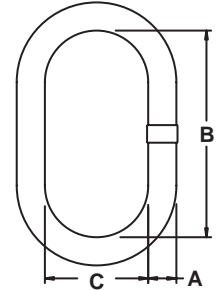
	Chain Size		COMPONENTS					LODELOK COMPONENTS					
			Eye Sling Hook w/ Latch	Eye Sling Hook w/o Latch	Clevlok Cradle Grab Hook	Eye Cradle Grab Hook	Clevlok Foundry Hook	Eye Foundry Hook	Web-Hammerlok	Web-Weblok	Clevlok Style	Eye Style	Swivel Style
	In.	mm	Page 25	Page 25	Page 26	Page 26	Page 27	Page 27	Page 28	Page 28	Page 29	Page 29	Page 30
SINGLE	7/32	5.5	N/A	N/A	N/A	N/A	N/A	N/A	N/A	N/A	N/A	N/A	
	9/32	7	558622	458622	659722	559725	475798	474798	867005-1	877005-1	616005	626005	676005
	3/8	10	558625	458625	659725	559737	475799	474799	867010-1	877010-1	616010	626010	676010
	1/2	13	558628	458628	659728	559750	475800	474800	867015-1	877015-1	616015	626015	676015
	5/8	16	558629	458629	659729	559762	475801	474801	867020-1	877020-1	616020	626020	676020
DOUBLE	3/4	20	558630	458630	N/A	559775	N/A	474802	N/A	N/A	N/A	N/A	N/A
	7/32	5.5	N/A	N/A	N/A	N/A	N/A	N/A	N/A	N/A	N/A	N/A	
	9/32	7	558622	458622	659722	559725	475798	474798	867005-1	877005-1	616005	626005	676005
	3/8	10	558625	458625	659725	559737	475799	474799	867010-1	877010-1	616010	626010	676010
	1/2	13	558628	458628	659728	559750	475800	474800	867015-1	877015-1	616015	626015	676015
TRIPLE & QUAD	5/8	16	558629	458629	659729	559762	475801	474801	867020-1	877020-1	616020	626020	676020
	3/4	20	558630	458630	N/A	559775	N/A	474802	N/A	N/A	N/A	N/A	N/A
	7/32	5.5	N/A	N/A	N/A	N/A	N/A	N/A	N/A	N/A	N/A	N/A	
	9/32	7	558622	458622	659722	559725	475798	474798	867005-1	877005-1	616005	626005	676005
	3/8	10	558625	458625	659725	559737	475799	474799	867010-1	877010-1	616010	626010	676010
1/2	13	558628	458628	659728	559750	475800	474800	867015-1	877015-1	616015	626015	676015	
5/8	16	558629	458629	659729	559762	475801	474801	867020-1	877020-1	616020	626020	676020	
3/4	20	558630	458630	N/A	559775	N/A	474802	N/A	N/A	N/A	N/A	N/A	

HERC-ALLOY® Master Link & Sub-Assemblies 1000

Master Link



- Designed to accept Herc-Alloy 1000 chain and components
- Durable gray powder coated finish
- May be used for mechanical and welded sling assemblies
- 100% proof tested

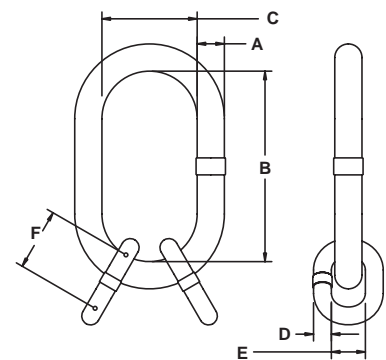


Trade Size	Working Load Limit	Product Code	Nominal Dimensions			Weight	Type and Size of Chain Sling on Which Used			
			Material Diameter A	Inside Length B	Inside Width C		SINGLE	DOUBLE	TRIPLE	QUAD
Imperial										
in.	lb.		in.	in.	in.	lb.	in.	in.	in.	in.
13/32	5,400	555231	0.406	3.000	1.500	0.33	7/32	7/32	--	--
1/2	8,600	555232	0.512	5.000	2.500	0.81	9/32	9/32	7/32	7/32
3/4	17,600	555235	0.750	5.500	2.750	2.08	3/8	3/8	9/32	9/32
1	30,000	555238	1.000	7.000	3.500	4.59	1/2 & 5/8	1/2	3/8	3/8
1 1/4	45,200	555240	1.250	8.750	4.375	9.31	3/4	5/8	1/2	1/2
1 1/2	70,600	555243	1.500	10.500	5.250	15.6	--	3/4	5/8	5/8
1 3/4	105,900	555246	1.750	12.000	6.000	24.4	--	--	3/4	3/4

Sub-Assembly



- Designed for Triple and Quad branch Herc-Alloy 1000 chain slings
- Consists of an Oblong Master Link and two welded Master Coupling Links
- Durable gray powder coated finish
- May be used for mechanical or welded sling assemblies
- 100% proof tested



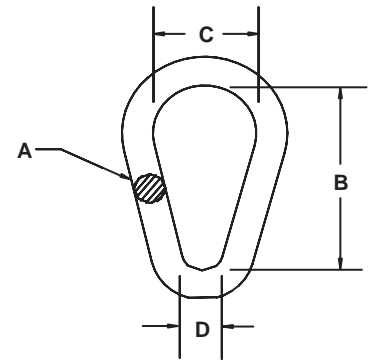
Trade Size	Working Load Limit at 60°	Product Code	Master Link Nom. Dims.			Intermediate Link Nom. Dims.			Weight	Type and Size of Chain Sling on Which Used	
			Material Diameter A	Inside Length B	Inside Width C	Material Diameter D	Inside Width E	Inside Length F		TRIPLE	QUAD
Imperial											
in.	lb.		in.	in.	in.	in.	in.	in.	lb.	in.	in.
1/2	7,000	555274	0.512	3.000	1.500	0.437	1.063	1.750	1.04	7/32	7/32
3/4	11,200	555275	0.750	5.500	2.750	0.468	0.875	1.563	2.08	9/32	9/32
1	22,900	555276	1.000	7.000	3.500	0.781	1.500	2.625	4.59	3/8	3/8
1 1/4	39,000	555277	1.250	8.750	4.375	0.906	1.750	3.125	9.16	1/2	1/2
1 1/2	58,700	555278	1.500	10.500	5.250	1.125	2.250	4.000	15.66	5/8	5/8
1 3/4	91,700	555279	1.750	12.000	6.000	1.500	2.750	5.250	24.44	3/4	3/4

Pear Shaped Master Link & Hammerlok

Pear Shaped Master Link



- Made from alloy material
- Proof tested at two times WLL
- Durable gray powder coated finish
- Custom sizes available upon request

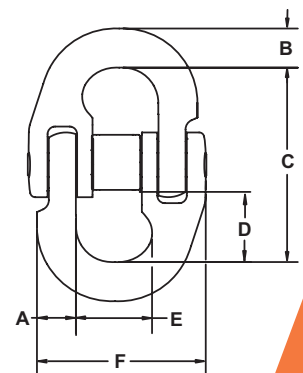


Trade Size	Catalog No.	Working Load Limit	Finished Code	Diameter A	Inside Length B	Inside Width C	Inside Width D	Weight	Type and Size of Chain Sling		
									Single	Double	Triple
Imperial											
in.		lb.		in.	in.	in.	in.	lb.	in.	in.	in.
1/2	HA51	9,000	554702	0.512	5.313	2.500	1.250	0.81	7/32, 9/32 & 3/8	7/32 & 9/32	7/32
3/4	HA79	18,000	554706	0.750	5.625	2.750	2.000	2.08	1/2	3/8	9/32
1	HA103	30,300	554710	1.000	7.250	3.500	2.625	4.59	5/8	1/2	3/8
1-1/4	HA129	45,500	554714	1.250	8.750	4.625	3.250	9.17	3/4	5/8	1/2
1-1/2	HA153	71,200	554719	1.500	10.500	5.250	3.875	15.28	1	3/4	5/8
1-3/4	HA179	86,000	554723	1.750	12.000	6.000	4.500	23.93	–	–	–
2	HA201	120,000	554726	2.000	14.000	7.000	3.500	35.93	–	–	3/4
2-1/4	HA229	182,000	554731	2.250	16.000	8.000	6.000	52.83	–	–	–

Hammerlok



- New Classic stainless steel non-corrosive retainer
- New pin and retainer design adds protection against twist and side load problems
- Large retainer diameter adds shock load protection



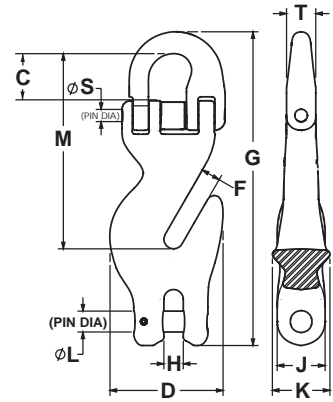
Size	Working Load Limit	Product Code	Load Pin Kit Product Code	Dimensions						Weight
				A Max	B max	C	D	E	F	
Imperial										
in.	lb.			in.	in.	in.	in.	in.	in.	lb.
9/32	4,300	667028-2	R667028-2	0.365	0.435	2.75	0.71	0.541	1.69	0.28
3/8	8,800	667038-2	R667038-2	0.502	0.591	3.00	1.16	0.910	2.50	0.84
1/2	15,000	667050-2	R667050-2	0.678	0.780	3.80	1.43	1.097	3.19	1.87
5/8	22,600	667062-2	R667062-2	0.804	0.905	4.54	1.74	1.317	3.88	3.13
3/4	35,300	667075-2	R667075-2	0.973	1.071	5.36	2.09	1.516	4.69	5.75

HERC-ALLOY® Chain Shortener & Rigging Hook 1000

Chain Shortener



- Quickly and easily adjust chain length of sling when the load has uneven pick points
- Painted gray for easy Grade 100 identification
- Marked with both fraction and metric sizes
- Forged alloy steel - quenched & tempered
- Mechanically attaches directly to master ring

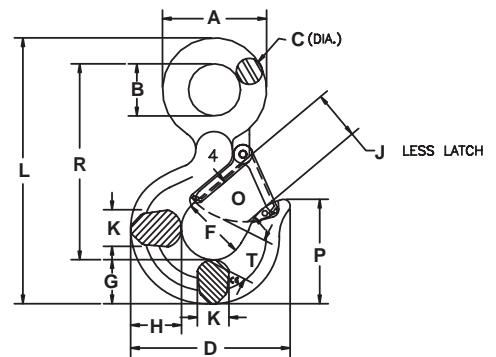


Size	Working Load Limit	Product Code	Dimensions											Weight
			C	D	G	H	J	K	L	F	M	S	T	
Imperial														
in.	lb.		in.	in.	in.	in.	in.	in.	in.	in.	in.	in.	in.	lb.
9/32	4,300	M71805A-2	0.71	2.19	5.86	0.38	0.80	1.00	0.36	0.38	3.38	0.21	0.50	1.20
3/8	8,800	M71806A-2	1.16	2.74	7.61	0.47	1.16	1.40	0.51	0.47	4.74	0.31	0.71	2.50
1/2	15,000	M71808A-2	1.43	3.34	9.36	0.65	1.37	2.08	0.63	0.65	5.82	0.41	0.86	4.80
5/8	22,600	M71810A-2	1.74	4.19	11.56	0.79	1.53	2.47	0.75	0.79	7.04	0.48	1.06	8.20

Rigging Hook



- Large eye to easily accommodate other G100 fittings
- Quench & tempered alloy steel
- Painted grey for easy identification

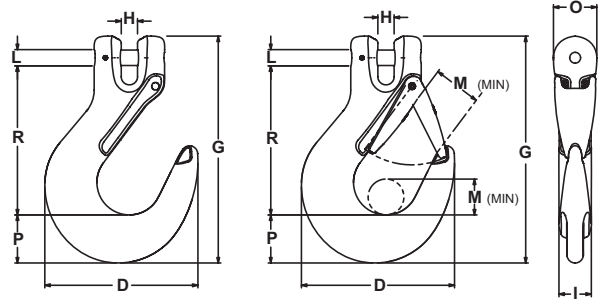


Size	Working Load Limit	Product Code w/ latch	Product Code w/o latch	Dimensions													Weight	
				A	B	C	D	F	G	H	J	K	L	O	P	R		T
Imperial																		
in.	lb.			in.	in.	in.	in.	in.	in.	in.	in.	in.	in.	in.	in.	in.	in.	lb.
7/32	2,700	M7502A	M7402A	1.50	0.75	0.38	3.06	1.25	0.87	1.05	0.93	0.63	4.37	0.93	2.12	3.13	0.87	0.66
9/32	4,300	M7503A	M7403A	1.75	0.88	0.44	3.33	1.38	0.94	1.11	0.97	0.71	5.04	0.97	2.27	3.66	0.97	1.12
5/16	5,700	M7504A	M7404A	2.13	1.13	0.50	3.67	1.50	1.06	1.21	1.06	0.88	5.63	1.06	2.54	4.09	1.03	1.46
3/8	8,800	M7505A	M7405A	2.50	1.25	0.63	4.20	1.63	1.27	1.43	1.19	0.94	6.55	1.16	2.80	4.67	1.16	2.42
1/2	15,000	M7507A	M7407A	3.06	1.56	0.75	5.11	2.00	1.44	1.63	1.50	1.31	7.97	1.41	3.47	5.78	1.53	4.10
5/8	22,600	M7509A	M7409A	3.88	2.00	0.94	6.24	2.50	1.82	2.01	1.78	1.68	10.07	1.69	4.59	7.31	1.94	8.16

Clevlok Sling Hook



- Fraction and metric markings
- Fatigue rated to Grade 100 specifications
- Fits Grade 80 and Grade 100 chain
- New "I" beam body
- 100% proof tested
- Improved forged latch
- New CE compliant hooks and latches
- Meets EN 1677

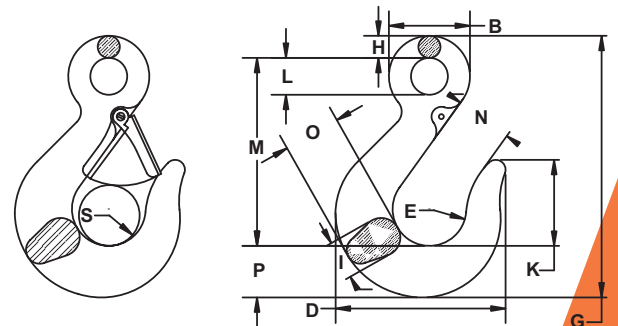


Size	Working Load Limit	Product Code w/ latch	Product Code w/o latch	Latch Kit	Dimensions									Weight w/o latch
					D	G	H	I	L	M	O	P	R	
Imperial														
in.	lb.				in.	in.	in.	in.	in.	in.	in.	in.	in.	in.
9/32	4,300	657718	557718	4X455322	3.53	5.23	0.38	0.75	0.36	0.83	1.00	1.11	3.44	1.20
3/8	8,800	657719	557719	4X455325	4.38	6.53	0.47	0.97	0.51	1.06	1.16	1.36	4.32	2.21
1/2	15,000	657720	557720	4X455328	5.48	8.03	0.58	1.18	0.63	1.38	1.50	1.61	5.35	4.22
5/8	22,600	657721	557721	4X455329	6.20	8.43	0.71	1.44	0.75	1.69	1.74	1.92	6.12	6.64
3/4	35,300	657722	553722	4X455330	7.09	10.80	0.88	1.81	0.94	2.09	2.00	2.08	7.25	11.22

Eye Sling Hook



- Fraction and metric markings
- Available with or without latch
- Painted gray for easy Grade 100 identification
- 100% proof tested
- Fatigue rated to Grade 100 specifications
- For welded 7/32" Chain Sling use 9/32" Eye Hook



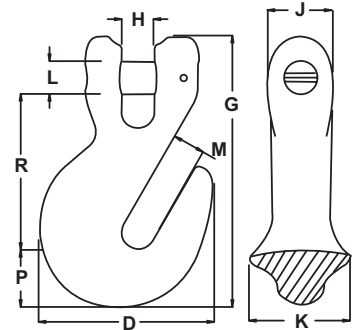
Size	Working Load Limit	Product Code w/ latch	Product Code w/o latch	Latch Kit	Dimensions											Weight		
					B	D	E	G	H	I	K	L	M	N	O		P	S
Imperial																		
in.	lb.				in.	in.	in.	in.	in.	in.	in.	in.	in.	in.	in.	in.		
9/32	4,300	558622	458622	595523	1.63	3.50	1.50	5.25	0.44	0.73	1.59	0.75	3.75	1.19	1.20	1.05	1.06	1.1
3/8	8,800	558625	458625	595525	2.06	4.33	1.88	6.64	0.56	0.95	2.19	0.94	4.78	1.44	1.45	1.28	1.31	1.9
1/2	15,000	558628	458628	595528	2.63	5.50	2.25	8.16	0.75	1.17	2.56	1.13	5.69	1.78	1.94	1.66	1.63	4.5
5/8	22,600	558629	458629	595529	3.06	6.34	2.63	9.66	0.88	1.44	2.63	1.31	6.50	2.03	2.38	2.19	1.75	7.3
3/4	35,300	558630	458630	595530	3.50	7.83	3.00	11.38	1.00	1.69	3.44	1.50	7.81	2.50	2.83	2.51	2.19	11.4

HERC-ALLOY® Grab Hooks 1000

Clevlok Cradle Grab Hook



- Fits grade 80 and grade 100 chain
- Fraction and metric markings
- New “I” beam body with chain cradle saddle
- 100% proof tested
- Fatigue rated to grade 100 specifications

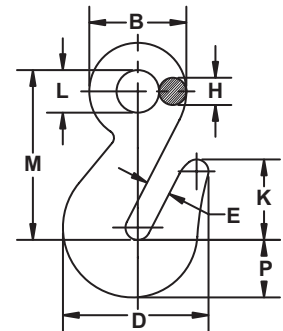


Size	Working Load Limit	Product Code	Dimensions									Weight	
			D	G	H	J	K	L	M	P	R		
Imperial													
in.	lb.		in.	in.	in.	in.	in.	in.	in.	in.	in.	in.	lb.
9/32	4,300	659722	2.18	3.38	0.38	0.80	0.95	0.36	0.38	0.82	1.86	0.63	
3/8	8,800	659725	2.72	4.33	0.47	1.16	1.27	0.51	0.47	1.02	2.47	1.30	
1/2	15,000	659728	3.32	5.27	0.65	1.24	1.54	0.63	0.65	1.18	3.05	2.10	
5/8	22,600	659729	4.18	6.54	0.79	1.53	1.92	0.75	0.79	1.41	3.75	4.20	

Eye Cradle Grab Hook



- Fraction and metric markings
- Painted gray for easy grade 100 identification
- 100% proof tested
- Fatigue rated to grade 100 specifications
- Certification of test available
- For welded 7/32” Chain Sling use 9/32” Eye Cradle Hook

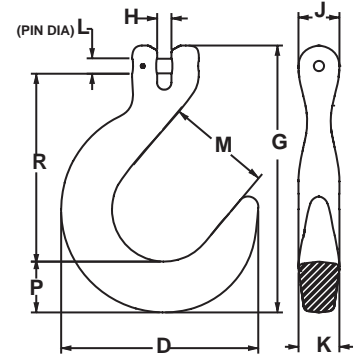


Size	Working Load Limit	Product Code	Dimensions										Weight	
			B	D	E	G	H	I	K	L	M	P		
Imperial														
in.	lb.		in.	in.	in.	in.	in.	in.	in.	in.	in.	in.	in.	lb.
9/32	4,300	559725	1.38	1.91	0.36	3.70	0.38	1.06	1.04	0.63	2.57	0.76	0.55	
3/8	8,800	559737	1.78	2.78	0.47	4.81	0.50	1.38	1.49	0.78	3.28	1.04	1.39	
1/2	15,000	559750	2.28	3.63	0.59	6.19	0.63	1.81	1.98	1.03	4.22	1.51	3.05	
5/8	22,600	559762	2.75	4.41	0.75	7.62	0.75	2.13	2.39	1.25	5.06	1.80	4.36	
3/4	35,300	559775	3.19	5.23	0.88	8.99	0.88	2.88	3.50	1.44	6.25	1.88	9.00	

Clevlok Foundry Hook



- Clevlok head designed for easy assembly
- “I” beam body design increases grip when moving from load
- Quench & tempered alloy steel
- Individually proof tested

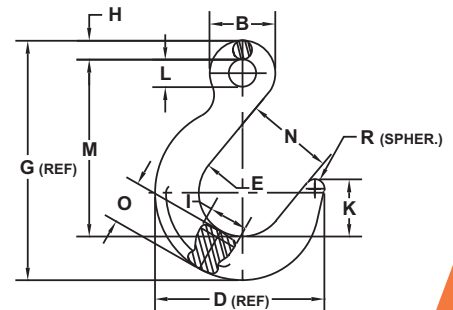


Size	Working Load Limit	Product Code	Dimensions									Weight	
			D	G	H	J	K	L	M	P	R		
Imperial													
in.	lb.		in.	in.	in.	in.	in.	in.	in.	in.	in.	in.	lb.
9/32	4,300	475798	4.82	6.52	0.35	1.00	1.00	0.357	2.55	1.24	4.59	2.43	
3/8	8,800	475799	5.73	7.87	0.47	1.16	1.27	0.507	3.05	1.43	5.59	4.14	
1/2	15,000	475800	6.83	9.40	0.59	1.50	1.50	0.625	3.55	1.75	6.58	7.10	
5/8	22,600	475801	7.94	10.98	0.71	1.74	1.81	0.750	4.07	2.03	7.69	12.03	

Eye Foundry Hook



- Throat opening to 4.5” (114 mm)
- Painted gray for easy grade 100 identification
- 100% proof tested
- Fatigue rated to grade 100 specifications
- Certification of test available
- For welded 7/32” Chain Sling use 9/32” Eye Foundry Hook



Size	Working Load Limit	Product Code	Dimensions											Weight	
			B	D	E	G	H	I	K	L	M	N	O		R
Imperial															
in.	lb.		in.	in.	in.	in.	in.	in.	in.	in.	in.	in.	in.	in.	lb.
9/32	4,300	474798	1.56	4.75	2.50	6.45	0.47	1.00	1.56	0.63	4.75	2.50	1.23	0.25	2.4
3/8	8,800	474799	2.00	5.75	3.00	7.88	0.63	1.27	1.88	0.75	5.75	3.00	1.50	0.31	4.5
1/2	15,000	474800	2.50	6.75	3.50	9.38	0.75	1.50	2.22	1.00	6.88	3.50	1.75	0.38	7.1
5/8	22,600	474801	3.00	7.81	4.00	10.97	0.88	1.81	2.63	1.13	8.06	4.00	2.03	0.44	11.6
3/4	35,300	474802	3.50	9.13	4.50	12.81	1.00	2.20	3.00	1.50	9.25	4.50	2.56	0.50	20.0

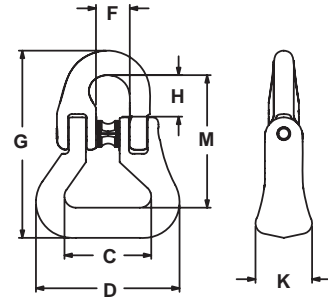
HERC-ALLOY® Lodelok Hooks

1000

Web-Hammerlok Connector



- Marked with fractions and metric sizes
- Certification of test available
- Fast assembly for use with attachments
- For use with synthetic materials. Not fatigue rated or proof tested to chain specifications

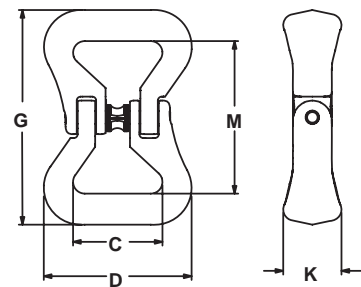


Size	Working Load Limit	Product Code	Dimensions							Weight
			G	D	C	M	K	F min	H	
Imperial										
in.	lb.		in.	in.	in.	in.	in.	in.	in.	lb.
9/32	4,300	867005-1	3.10	2.38	1.44	2.20	0.94	0.54	0.71	0.82
3/8	8,800	867010-1	4.33	3.00	1.80	3.17	1.13	0.91	1.16	1.41
1/2	15,000	867015-1	5.24	3.50	2.00	3.80	1.31	1.10	1.43	2.53
5/8	22,600	867020-1	6.58	4.76	2.88	4.71	1.69	1.32	1.74	5.07

Web-Weblok Connector



- Forged alloy steel, quenched and tempered
- Wide load bearing surface
- Fast assembly for use with attachments
- For use with synthetic materials. Not fatigue rated or proof tested to chain specifications

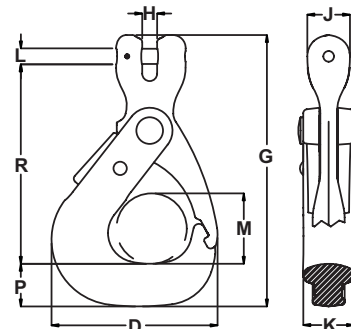


Size	Working Load Limit	Product Code	Dimensions					Weight
			G	D	C	M	K	
Imperial								
in.	lb.		in.	in.	in.	in.	in.	lb.
9/32	4,300	877005-1	3.45	2.38	1.44	2.45	0.94	1.04
3/8	8,800	877010-1	4.60	3.00	1.80	3.35	1.13	1.91
1/2	15,000	877015-1	5.19	3.50	2.00	3.81	1.31	3.03
5/8	22,600	877020-1	6.88	4.76	2.88	4.88	1.69	6.77

Clevlok Style



- High cycling, long life spring
- Factory replaceable pins
- “I” beam construction for greater strength
- 100% proof tested
- Fatigue rated to grade 100 specifications

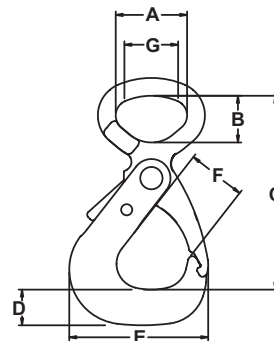


Size	Working Load Limit	Product Code	Replace Latch Kit Part #	Dimensions									Weight
				D	G	H	J	K	L	M	P	R	
Imperial													
in.	lb.			in.	in.	in.	in.	in.	in.	in.	in.	in.	in.
9/32	4,300	616005	656005	3.89	6.37	0.35	1.00	1.19	0.36	1.56	1.00	4.68	2.62
3/8	8,800	616010	656010	5.03	8.20	0.47	1.16	1.25	0.51	2.25	1.25	6.11	4.93
1/2	15,000	616015	656015	6.68	10.07	0.59	1.50	1.63	0.63	2.81	1.75	7.25	9.32
5/8	22,600	616020	656020	8.04	11.62	0.71	1.74	1.88	0.75	3.19	2.00	8.36	14.70

Eye Style



- Large eye design for use with chain, wire rope and synthetic material
- Factory replaceable pins
- 100% proof tested
- Fatigue rated to grade 100 specifications
- For welded 7/32” Chain Sling use 9/32” Eye Lodelok Hook



Size	Working Load Limit	Product Code	Replace Latch Kit Part #	Dimensions									Weight
				A	B	C	D	E	Fmin	G	H	J	
Imperial													
in.	lb.			in.	in.	in.	in.	in.	in.	in.	in.	in.	in.
9/32	4,300	626005	656005	2.00	1.31	5.43	1.00	3.89	1.563	1.47	0.63	1.19	2.64
3/8	8,800	626010	656010	2.50	1.78	7.41	1.25	5.03	2.250	2.00	0.75	1.25	4.86
1/2	15,000	626015	656015	3.44	2.38	9.38	1.75	6.68	2.813	2.59	1.00	1.63	10.46
5/8	22,600	626020	656020	3.94	2.62	10.71	2.00	8.04	3.125	2.92	1.25	1.88	16.52

HERC-ALLOY® Lodelok Hooks

1000

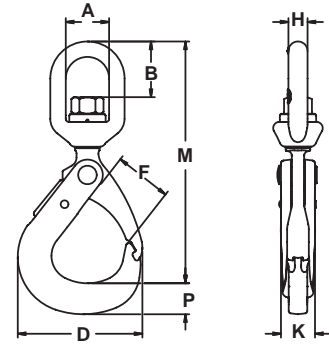
Swivel Style



Bushing Style

Bearing Style

- The eye easily positions to attach to the load
- Factory replaceable pins
- 100% proof tested
- Fatigue rated to grade 100 specifications
- Certification of test available
- For welded 7/32" Chain Sling use 9/32" Swivel Lodelok Hook



Size	Working Load Limit	Bushing Style Product Code	Bearing Style Product Code	Replace Latch Kit Part #	Dimensions								Weight
					A	B	M	P	D	F min	K	H	
Imperial													
in.	lb.				in.	in.	in.	in.	in.	in.	in.	in.	lb.
9/32	4,300	676005	696005	656005	1.50	1.31	7.05	1.00	3.89	1.56	1.19	0.62	3.7
3/8	8,800	676010	696010	656010	1.78	1.62	9.14	1.25	5.03	2.25	1.25	0.77	5.1
1/2	15,000	676015	696015	656015	2.25	1.82	10.85	1.75	6.68	2.81	1.63	0.93	11.2
5/8	22,600	676020	696020	656020	2.75	2.38	12.80	2.00	8.04	3.13	1.88	1.00	18.1

Lodelok® Hook Reference Chart

Attachment Type	Size	WLL 4:1		WLL 5:1
		in.	lb.	lb.
Hook Size: 9/32" • Maximum WLL: 4,300 lbs.				
Grade 80	9/32		3,500	2,800
Grade 100	9/32		4,300	3,440
Round Sling (Vertical)	#1 Purple		3,250	2,600
Wire Rope (EIP) max.	3/8		3,775	3,020
Hook Size: 3/8" • Maximum WLL: 8,800 lbs.				
Grade 80	3/8		7,100	5,680
Grade 100	3/8		8,800	7,040
Round Sling (Vertical)	#2 Green		6,625	5,300
Wire Rope (EIP) max.	9/16		8,400	6,720
Hook Size: 1/2" • Maximum WLL: 15,000 lbs.				
Grade 80	1/2		12,000	9,600
Grade 100	1/2		15,000	12,000
Round Sling (Vertical)	#3 Yellow		10,500	8,400
Round Sling (Vertical)	#4 Tan		13,250	10,600
Wire Rope (EIP) max.	3/4		14,700	11,760
Hook Size: 5/8" • Maximum WLL: 22,600 lbs.				
Grade 80	5/8		18,000	14,400
Grade 100	5/8		22,600	18,080
Round Sling (Vertical)	#5 Red		16,500	13,200
Round Sling (Vertical)	#6 White		21,000	16,800
Wire Rope (EIP) max.	7/8		19,900	15,920
Hook Size: 3/4" • Maximum WLL: 35,300 lbs.				
Grade 80	3/4		28,300	22,640
Grade 100	3/4		35,300	28,240
Round Sling (Vertical)	#7 Blue		26,500	21,200
Round Sling (Vertical)	#8 Orange		31,250	25,000
Wire Rope (EIP) max.	1-1/8		32,500	26,000

- Do not apply load unless latch and hook are completely closed and locked
- Make certain that the latch does not support any part of the load
- When lifting, make certain that the load is firmly seated in the base (bowl) of the hook
- Inspect hook and latch periodically. If the hook or latch is damaged or if the latch fails to interlock with the tip, the hook should be removed from service
- Do not exceed the working load limit
- Do not use if the hook is visibly distorted, damaged or worn
- Keep body and other objects clear of the latch when closing to avoid the pinch point
- Do not side load or tip load hook
- User should be properly trained and understand safe rigging practices

WLL (Working Load Limit) is the maximum load a product is designed to support during use