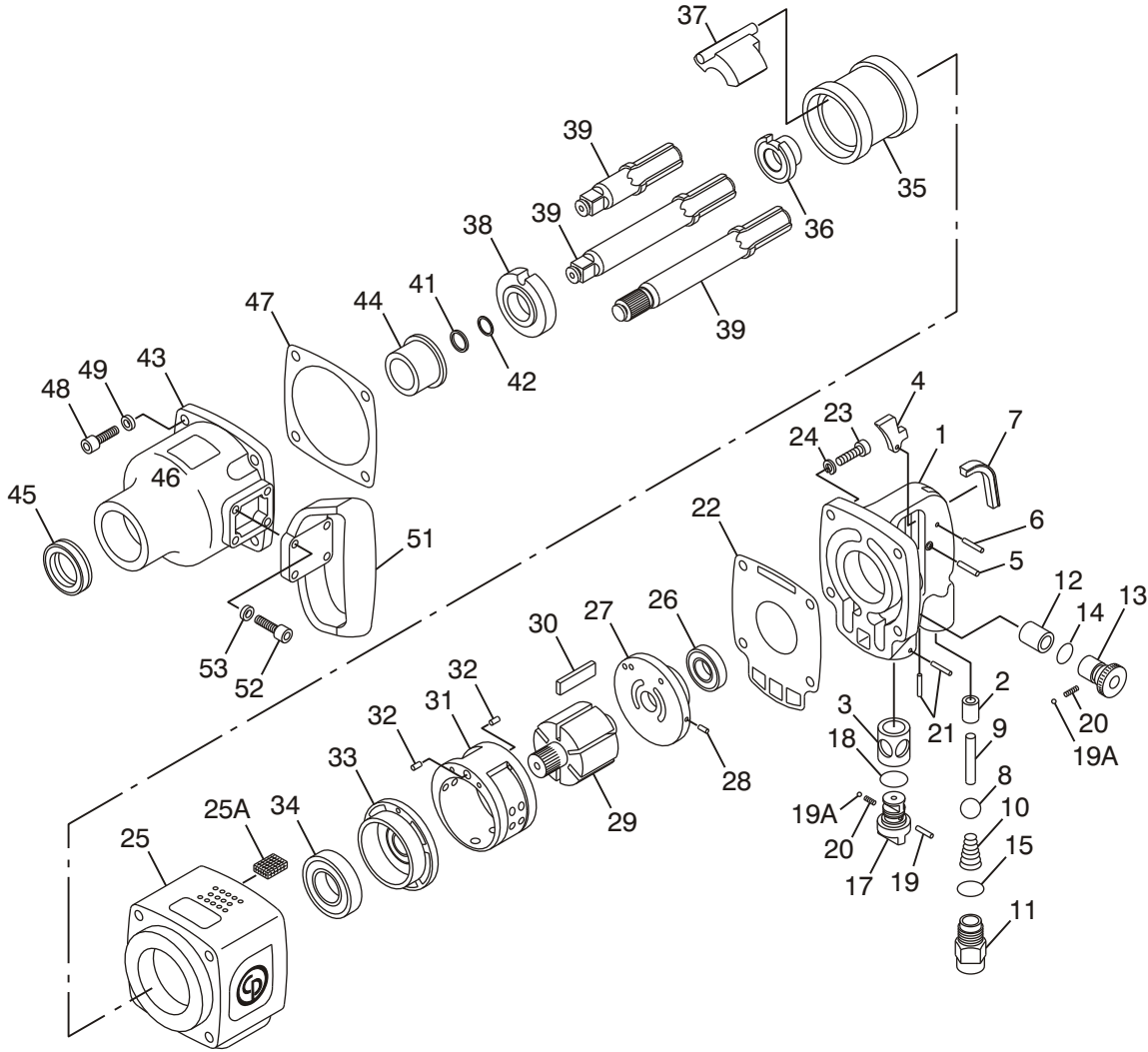




1800 Overview Drive • Rock Hill SC • 29730 USA

# CP7775 Series Impact Wrench



| Index No. | Part No.   | Description  | No. Req'd. | Index No. | Part No.   | Description   | No. Req'd. |
|-----------|------------|--|------------|-----------|------------|---|------------|
| 1         | 8940162151 | Throttle Handle Assembly<br>(Incl: Index No. 2, 3, 12) | 1          | 30        | 8940162181 | Blade-Set   | 1          |
| 2         | 8940162152 | Bushing-Throttle                                       | 1          | 31        | 8940162182 | Liner   | 1          |
| 3         | 8940162153 | Bushing-Reverse Valve                                  | 1          | 32        | 8940162183 | Pin   | 2          |
| 4         | 8940162154 | Lever-Throttle   | 1          | 33        | 8940162184 | Plate-Front End   | 1          |
| 5         | 8940162155 | Pin-Throttle Lever                                     | 1          | 34        | 8940162185 | Bearing   | 1          |
| 6         | 8940162156 | Pin-Lever Stop   | 1          | 35        | 8940162186 | Cage  | 1          |
| 7         | 8940162157 | Cover-Slot   | 1          | 36        | 8940162187 | Cam   | 1          |
| 8         | 8940162158 | Valve-Throttle   | 1          | 37        | 8940162188 | Dog   | 1          |
| 9         | 8940162159 | Plunger-Throttle Valve                                 | 1          | 38        | 8940162189 | Bushing-Cage  | 1          |
| 10        | 8940162160 | Spring-Throttle Valve                                  | 1          | 39        | 8940162190 | Anvil (1in. Sq. Dr.)<br>(Incl: Index Nos. 41, 42)                 | 1          |
| 11        | 8940162161 | Inlet Bushing  | 1          |           | 8940162191 | Anvil (1in. Sq. Dr. 6 in. Extension)<br>(Incl: Index Nos. 41, 42) | 1          |
| 12        | 8940162162 | Bushing-Regulator Valve                                | 1          |           | 8940162192 | Anvil (#5 Spline 6 in. Extension)<br>(Incl: Index Nos. 41, 42)    | 1          |
| 13        | 8940162163 | Valve-Regulator  | 1          | 41        | 8940162193 | Ring-Friction (1 in. Sq.)   | 1          |
| 14        | 8940162164 | O-Ring   | 1          |           | 8940162194 | Ring-Friction (#5 Spline)   | 1          |
| 15        | 8940162165 | O-Ring   | 1          | 42        | 8940162195 | O-Ring (1 in. Sq.)  | 1          |
| 17        | 8940162166 | Valve-Reverse  | 1          |           | 8940162196 | O-Ring (#5 Spline)  | 1          |
| 18        | 8940162167 | O-Ring   | 1          | 43        | 8940162197 | Clutch Housing Assembly<br>(Incl: Index Nos. 44, 45)              | 1          |
| 19        | 8940162168 | Pin  | 1          | 44        | 8940162198 | Bushing-Clutch Housing  | 1          |
| 19A       | 8940162169 | Ball   | 2          | 45        | 8940162199 | Seal  | 1          |
| 20        | 8940162170 | Spring   | 2          | 46        | CA155779   | Decal-Safety Warning  | 1          |
| 21        | 8940162171 | Pin  | 2          | 47        | 8940162200 | Gasket-Clutch Housing   | 1          |
| 22        | 8940162172 | Gasket-Handle  | 1          | 48        | 8940162201 | Screw   | 4          |
| 23        | 8940162173 | Screw  | 4          | 49        | 8940162202 | Lock Washer   | 4          |
| 24        | 8940162174 | Lock Washer  | 4          | 51        | 8940162203 | Handle-Support  | 1          |
| 25        | 8940162175 | Housing-Motor  | 1          | 52        | 8940162204 | Screw   | 4          |
| 25A       | 8940162176 | Muffler Element  | 1          | 53        | 8940162205 | Lock Washer   | 4          |
| 26        | 8940162177 | Bearing  | 1          |           |            |   |            |
| 27        | 8940162178 | Plate-Rear End   | 1          |           |            |   |            |
| 28        | 8940162179 | Pin  | 1          |           |            |   |            |
| 29        | 8940162180 | Rotor  | 1          |           |            |   |            |

**Tune-Up Kit 8940162206**  
(Incl: 14, 15, 18, 22, 30, 41, 42, 45, 47))