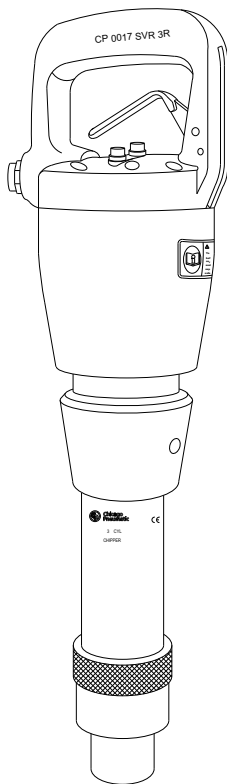




Spare Parts List

CP 0017 SVR Chipping Hammer



www.cp.com



2005-10
No. 9800 0538 01a

© Copyright
Stockholm, Sweden

Contents	Pages
General information.....	4
Exploded views and tables	6-9

GENERAL INFORMATION

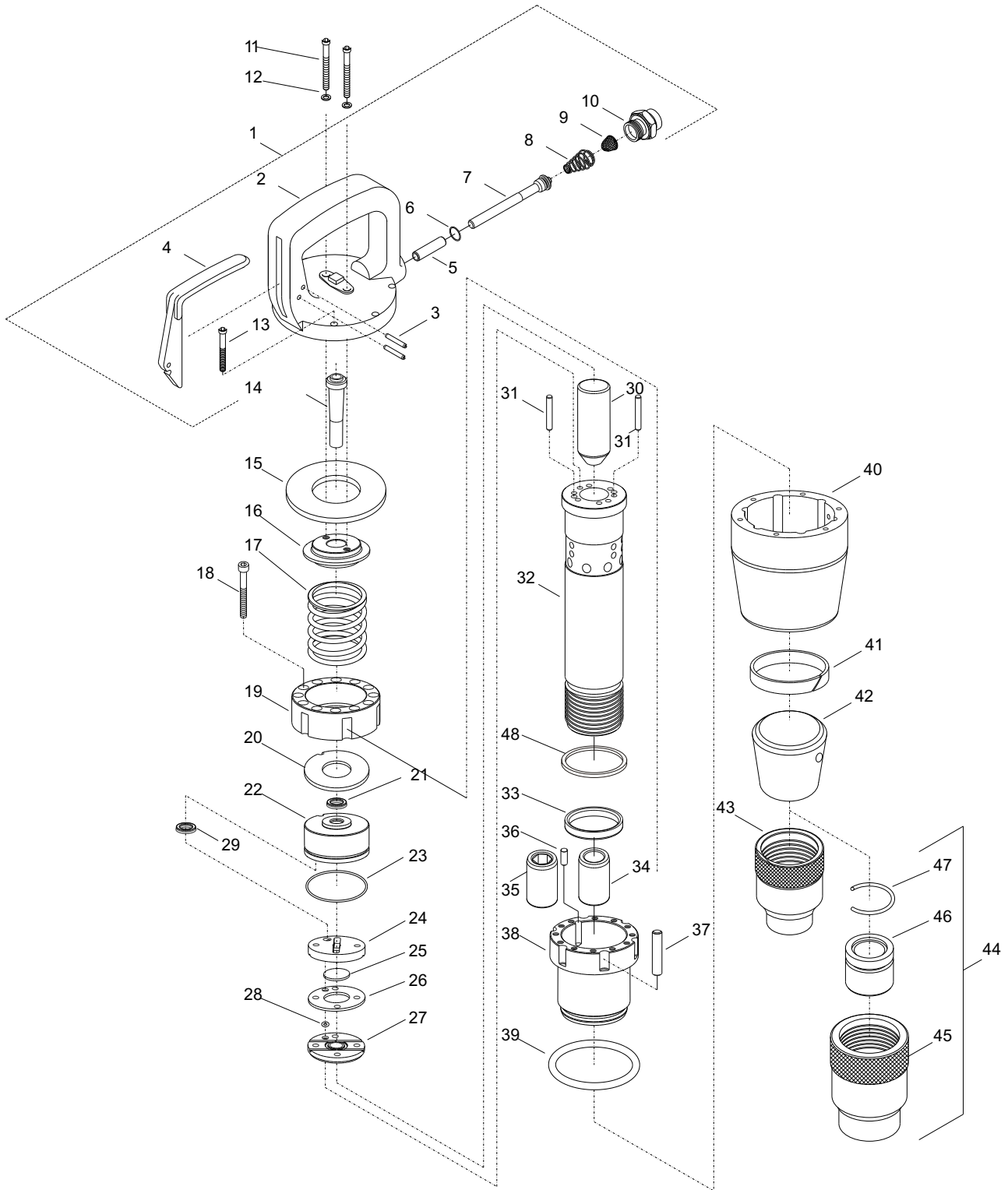
Welcome! Protect your investment in the world's finest air tools. Use genuine CP replacement parts.

The purchase of replacement parts for your CP tools deserves the same good judgment that resulted in the buying of the tools themselves. Each genuine CP part is made from carefully selected and inspected material, subjected to sophisticated machinery and finishing processes and heat-treated to produce just the right combination of hardness, ductility and impact resistance for its intended use. All parts are manufactured concurrently with those used in production tools, and are identical to them. The use of parts other than genuine CP replacement parts can lead to substandard performance, early failure, possible damage of other parts and, in some instances, unsafe conditions.

To reduce the risk of injury, read and understand the Operating Instructions manual and the percussion tool safety instructions before operating the tool.

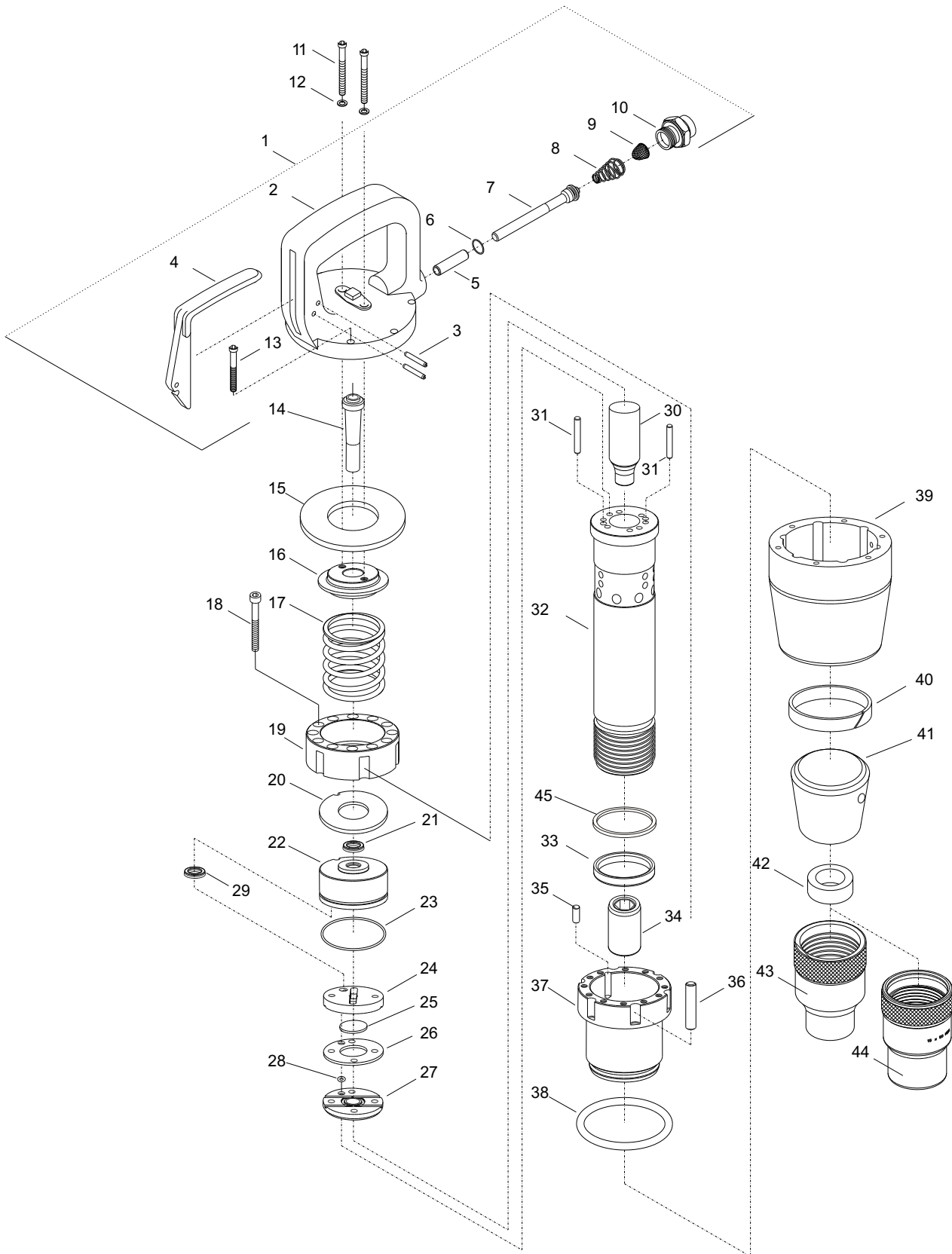
CP 0017 SVR is a pneumatic chipping hammer designed for light to medium demolition of concrete stone or masonry structures, and metal removal in bridge-work and steel erection.

EXPLODED VIEW OF CP 0017 SVR 3R, 3H



Ref. No.	Ordering No.	Qty.	Description
CP 0017 SVR 3R, 3H Chipping Hammer (from serial no. 04107U030N onwards)			
1	Z8726840		Handle assy. (Includes item No. 2, 3, 4, 5, 6, 7, 8, 9 & 10)
2		1	Handle (Includes item No. 5)
3	R133757	2	Pin - Throttle lever
4	F815167	1	Lever - Throttle
5	P144656	1	Bushing - Throttle valve
6	P083071	1	O-ring (Throttle valve)
7	P144202	1	Valve - Throttle
8	C077054	1	Spring - Throttle valve
9	C036909	1	Strainer - Air
10	C092292	1	Bushing - Inlet
11	C051781	2	Screw - Socket head (1/4-28 x 1 3/4)
12	F826979	2	Washer - Flat
13	C064807	6	Screw - Socket head (1/4-20 x 1 1/2)
14	P144652	1	Tube - Air
15	H2320840	1	Buffer - Top
16	D5091840	1	Buffer plate
17	H3438840	1	Spring
18	Q2885840	12	Screw - Socket head M6 x 1
19	C4306840	1	Isolator plate
20	H2326840	1	Buffer - Bottom
21	P144653	1	Seal - Air tube
22	P144657	1	Housing - Shutoff
23	C116352	1	O-ring
24	P144140	1	Lid - Upper valve
25	P142921	1	Valve - Cycling
26	P144141	1	Case - Valve
27	P144142	1	Lid - Lower valve
28	C087316	1	O-ring
29	P144659	1	Seat - Shutoff
30	P118662	1	Piston 3"
31	P144147	2	Pin - Dowel
32		1	Cylinder 3"
33	F035269	1	Ring - Retainer
34	P001550	1	Bushing - Round
35	P001551	1	Bushing - Hexagon
36	P145400	1	Pin - Dowel
37	Z8759840	1	Roller - Guide kit (Consists of 6 roller guides)
38	C9203840	1	Adaptor - Cylinder
39	P144662	1	O-ring
40	P144650	1	Housing - Isolator
41	P144663	1	Ring - Bearing
42	P144654	1	Deflector - Exhaust
43	P144441	1	Retainer - Oval collar / Round shank
44	P145545	1	Retainer - Oval collar / Hexagon shank (Optional) (Includes item No. 45, 46 & 47)
45	-	1	Retainer
46	P145458	1	Cylinder - Insert
47	P145459	1	Ring - Retaining
48	H2328840	1	Ring - Buffer

EXPLODED VIEW OF CP 0017 SVR 3H19



Ref. No.	Ordering No.	Qty.	Description
CP 0017 SVR 3H19 Chipping Hammer (From serial No. 04107U030N onwards)			
1	Z8726840		Handle assy. (Includes item No. 2, 3, 4, 5, 6, 7, 8, 9 & 10)
2		1	Handle (Includes item No. 5)
3	R133757	2	Pin - Throttle lever
4	F815167	1	Lever - Throttle
5	P144656	1	Bushing - Throttle valve
6	P083071	1	O-ring (Throttle valve)
7	P144202	1	Valve - Throttle
8	C077054	1	Spring - Throttle valve
9	C036909	1	Strainer - Air
10	C092292	1	Bushing - Inlet
11	C051781	2	Screw - Socket head (1/4-28 x 1 3/4)
12	F826979	2	Washer - Flat
13	C064807	6	Screw - Socket head (1/4-20 x 1 1/2)
14	P144652	1	Tube - Air
15	H2320840	1	Buffer - Top
16	D5091840	1	Buffer plate
17	H3438840	1	Spring
18	Q2885840	12	Screw - Socket head (M6 x 1)
19	C4306840	1	Isolator plate
20	H2326840	1	Buffer - Bottom
21	P144653	1	Seal - Air tube
22	P144657	1	Housing - Shutoff
23	C116352	1	O-ring
24	P144140	1	Lid - Upper valve
25	P142921	1	Valve - Cycling
26	P144141	1	Case - Valve
27	P144142	1	Lid - Lower valve
28	C087316	1	O-ring
29	P144659	1	Seat - Shutoff
30	P157919	1	Piston 3" stepped diameter
31	P144147	2	Pin - Dowel
32		1	Cylinder 3"
33	F035269	1	Ring - Retainer
34	P157918	1	Bushing - 19 x 50 hex
35	P145400	1	Pin - Dowel
36	Z8759840	1	Roller - Guide kit (Consists of 6 roller guides)
37	C9203840	1	Adaptor - Cylinder
38	P144662	1	O-ring
39	P144650	1	Housing - Isolator
40	P144663	1	Ring - Bearing
41	P144654	1	Deflector - Exhaust
42	P157920	1	Buffer
43	P144137	1	Retainer
44	C8792840	1	Retainer - Quick change, off-center
45	H2328840	1	Ring - Buffer



2005-10
No. 9800 0538 01a

© Copyright
Stockholm, Sweden

