

Parts Manual

45-8158

PL30-1210

04/21/2011

DOTCO®

**12-10 Series
Inline Grinder**



	12	X	1	0	XX	-	36	XX	OH										
Product Classification	12 = Ergo Grinder/Sander																		
Trottle Type	L = Locking Lever S = Locking Lever																		
Motor Size	1 = 0.3 hp																		
Handle Style	0 = Straight																		
Speed Options (RPM)	<table border="0"> <tr> <td>Front Exhaust</td> <td>Rear Exhaust</td> </tr> <tr> <td>00 = 30,000</td> <td>80 = 30,000</td> </tr> <tr> <td>01 = 34,000</td> <td>81 = 34,000</td> </tr> <tr> <td>03 = 25,000</td> <td>82 = 25,000</td> </tr> <tr> <td>08 = 20,000</td> <td></td> </tr> </table>		Front Exhaust	Rear Exhaust	00 = 30,000	80 = 30,000	01 = 34,000	81 = 34,000	03 = 25,000	82 = 25,000	08 = 20,000								
Front Exhaust	Rear Exhaust																		
00 = 30,000	80 = 30,000																		
01 = 34,000	81 = 34,000																		
03 = 25,000	82 = 25,000																		
08 = 20,000																			
Termination Code	36 = 300 Series, 1/4" capacity 3-piece collet																		
Optional Collet (no extra cost)	08 = 1/8" 14 = 7/32" M6 = 6mm																		
Overhose Option (extra cost)	OH = Overhose (rear exhaust models only)																		

For additional product information visit our website at <http://www.apextoolgroup.com>

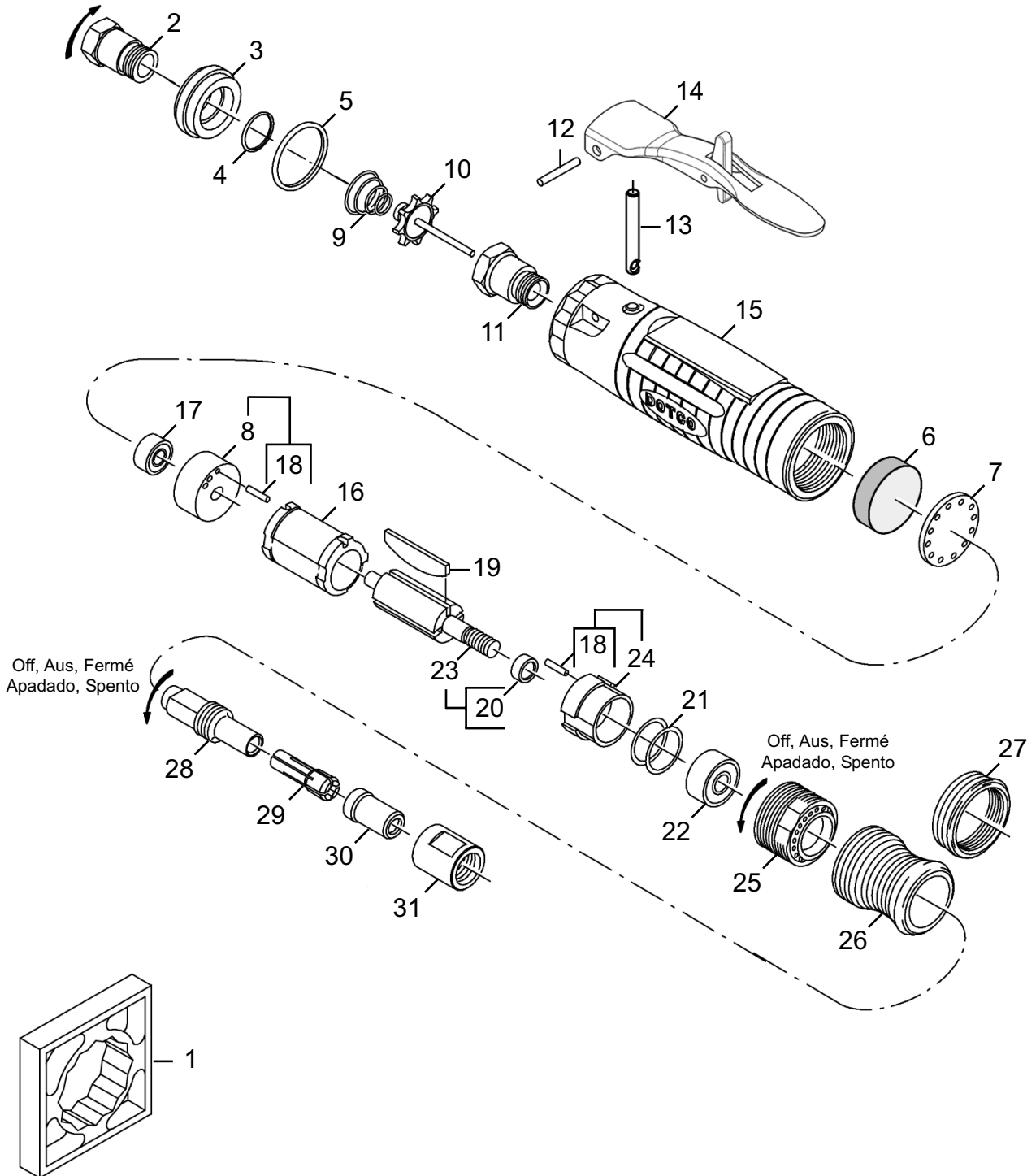
DOTCO

12-10 Series ERGO 0.3 hp Straight Grinders

“A”

FRONT EXHAUST

Off, Aus, Fermé
Apadado, Spento



DOTCO

12-10 Series ERGO 0.3 hp Straight Grinders

PL30-1210
December 4, 2006

Illustration "A" - Front Exhaust

Ref.	Number	#	●	Kit	EN	DE	FR	ES	IT
					Description	Benennung	Designation	Description	Descrizione
1	14-0851	1			Housing Wrench	Schraubenschlüssel	Clé plate	La llave	La chiave
2	01-2505	1		K1	Inlet Adapter	Zwischenstück	Adaptateur	Adaptador	Adattatore
3	01-2506	1		K1	Exhaust Plug	Buchse	Bouchon	Tapón	Spina
4	2965	1	●	K1	O-Ring	O-Ring	Joint torique	Anillo "O"	Anello ad O
5	3036	1	●	K1	O-Ring	O-Ring	Joint torique	Anillo "O"	Anello ad O
6	01-1046	1	●	K1	Filter Disc	Platte	Plaque	Placa	Piattello
7	01-1016	1		K1	Filter Retainer	Haltevorrichtung	Bague d'arrêt	Retén	Fermo
8	1003	1			Rear Plate	Hintere Platte	Plaque arrière	Placa posterior	Piattello posteriore
9	01-2519	1	●	K2	Valve Spring	Druckfeder	Ressort	Resorte	Molla
10	01-2518	1		K2	Valve	Ventil	Soupape	Válvula	Valvola
11	01-2504	1		K2	Valve Seat	Ventilsitz	Siège de soupape	Asiento de la válvula	Sede valvola
12	1042	1		K2	Lever Pin	Stift	Goupille cylindrique	Pasador	Spina
13	01-1017	1		K2	Push Rod	Stange	Tige	Varilla	Asta
14	01-1267	1		K2	Lock-Off Lever Asm	Hebel	Lever	Palanca	Leva
15	01-1001	1			Motor Housing	Gehäuse	Corps	Caja	Corpo
16	1002	1			Cylinder	Zylinder	Cylindre	Cilindro	Cilindro
17	504	1	●	K3	Ball Bearing	Kugellager	Roulement à billes	Cojinete de bolas	Cuscinetto a sfera
18	1041	2	●	K3	Pin	Stift	Goupille cylindrique	Pasador	Spina
19	Table A *	AR	●	K3	Rotor Blade	Rotorblatt	Palette	Alabe del rotor	Paletta del rotore
20	1017	1		K3	Spacer	Distanzstück	Entretoise	Espaciador	Distanziale
21	1355	1	●	K3	Shim Packet	Unterlegstück	Cale pelable	Calzo	Spessore
22	538	1	●	K3	Ball Bearing	Kugellager	Roulement à billes	Cojinete de bolas	Cuscinetto a sfera
23	Table A	1			Rotor	Rotor	Rotor	El rotore	Il rotore
24	Table A	1			Front Plate	Vorderplatte	Plaque de devanture	Placa frontal	Piattello anteriore
25	Table A	1			Lock Ring	Verschlussring	Bague de verrouillage	Anillo de cierre	Anello di bloccaggio
26	01-1047	1			Collet Guard	Schutzvorrichtung	Protection	Guarda	Protezione
27	01-1050	1			Collet Guard (Short)	Schutzvorrichtung	Protection	Guarda	Protezione
28	1054	1			Chuck Body	Futter Körper	Corps de trou	Bote el Cuerpo	Il Corpo di ciottolo
29	308	1			1/4" Collet	Futter	Douille de serrage	Boquilla	Bussola di chiusura
30	1053	1		K4	Nosepiece	Kopfstück	Tuyère	Tobera	Naso
31	1058	1		K4	Cap	Kappe	Chapeau	Tapa	Cappello
Not Shown									
--	14-0807	1			7/16" Wrench	Schraubenschlüssel	Clé plate	La llave	La chiave
--	14-0811	1			11/16" Wrench	Schraubenschlüssel	Clé plate	La llave	La chiave
Repair Kits:									
K1	04-0083	1			Air Inlet Kit	Satz	Ensemble	Juego	Corredo
K2	04-0086	1			Throttle Kit	Satz	Ensemble	Juego	Corredo
K3	Table A	1			Motor Kit	Satz	Ensemble	Juego	Corredo
K4	04-0084	1			Output Kit	Satz	Ensemble	Juego	Corredo
*	Table A	1			Rotor Blade Kit	Satz	Ensemble	Juego	Corredo
●	Table A	1			Tune Up Kit	Satz	Ensemble	Juego	Corredo

(#) Quantity / Stückzahl / Quantité / Cantidad / Quantità

Table "A"

Ref.	Description	Qty.	12-1000	Qty.	12-1001	Qty.	12-1003	Qty.	12S1008
19	Rotor Blade	4	1006 *	3	1006 *	4	1906 *	4	1906 *
23	Rotor	1	1005	1	02-1214	1	1005	1	1005
24	Front Plate	1	1004	1	1323	1	1004	1	1004
25	Lock Ring	1	1014	1	1014	1	1014	1	1951
K3	Motor Kit	1	04-0042	1	04-0043	1	04-0044	1	04-0044
*	Rotor Blade Kit	1	04-0031	1	04-0031	1	04-0032	1	04-0032
●	Tune Up Kit	1	04-0213	1	04-0213	1	04-0214	1	04-0214

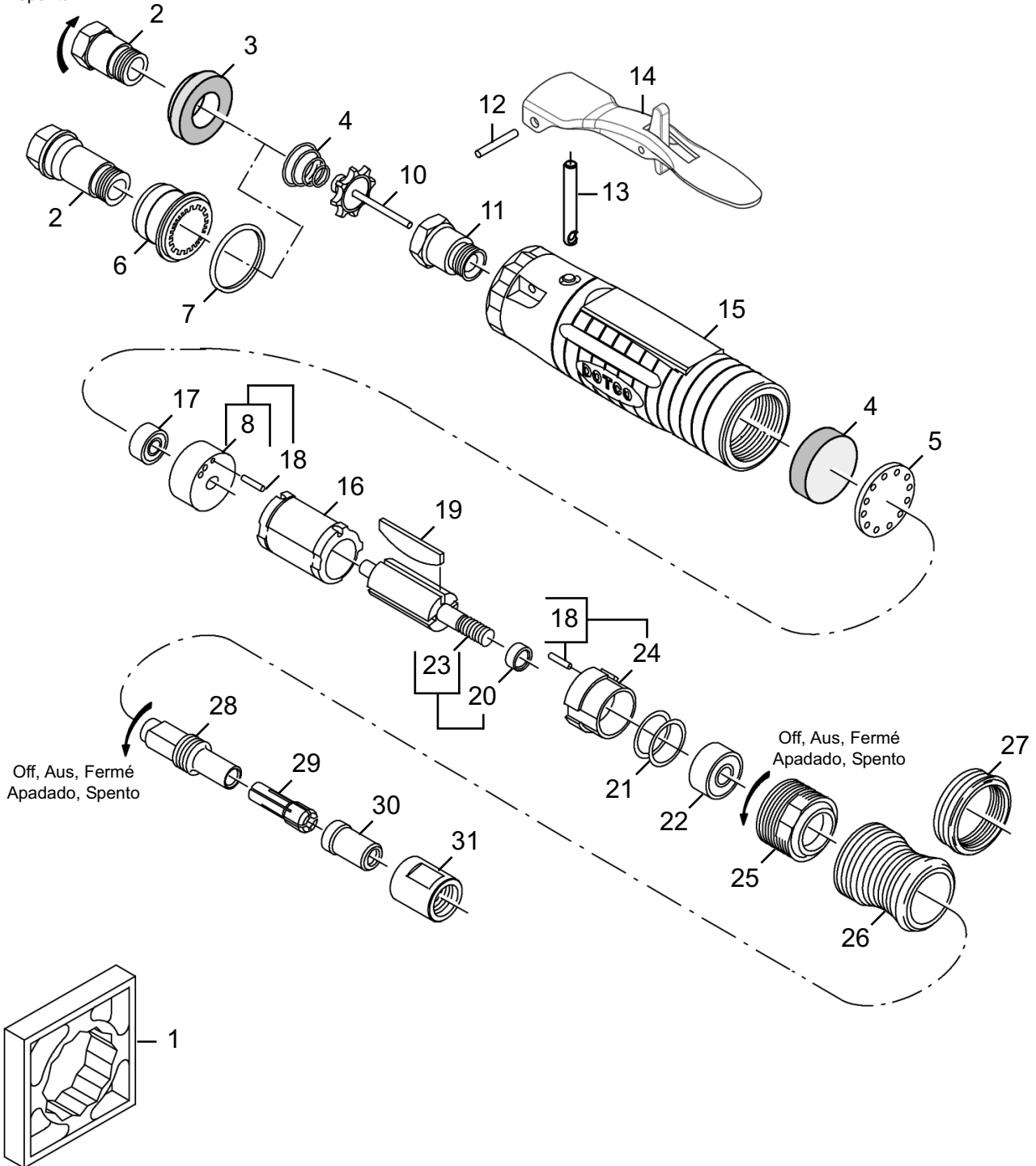
DOTCO

12-10 Series ERGO 0.3 hp Straight Grinders

"B"

REAR EXHAUST

Off, Aus,
Fermé
Apadado,
Spento



DOTCO

12-10 Series ERGO 0.3 hp Straight Grinders

PL30-1210
December 4, 2006

Illustration "B" - Rear Exhaust

Ref.	Number	#	●	Kit	EN	DE	FR	ES	IT
					Description	Benennung	Designation	Description	Descrizione
1	14-0851	1			Housing Wrench	Schraubenschlüssel	Clé plate	La llave	La chiave
2	Table B	1		K5	Inlet Adapter	Zwischenstück	Adaptateur	Adaptador	Adattatore
3	01-2520	1	●	K5	Diffuser	Diffuser	Diffuseur	Diffuseur	Diffusore
4	01-1046	1	●	K5	Filter Disc	Platte	Plaque	Placa	Piattello
5	01-1016	1		K5	Filter Retainer	Haltevorrichtung	Bague d'arrêt	Retén	Fermo
6	01-1032	1	●	K5	Muffler	Schalldämpfer	Silencieux	Silenciador	Silenziatore
7	3036	1	●	K5	O-Ring	O-Ring	Joint torique	Anillo "O"	Anello ad O
8	1003	1			Rear Plate	Hintere Platte	Plaque arrière	Placa posterior	Piattello posteriore
9	01-2519	1	●	K2	Valve Spring	Druckfeder	Ressort	Resorte	Molla
10	01-2518	1		K2	Valve	Ventil	Soupape	Válvula	Valvola
11	01-2504	1		K2	Valve Seat	Ventilsitz	Siège de soupape	Asiento de la válvula	Sede valvola
12	1042	1		K2	Lever Pin	Stift	Goupille cylindrique	Pasador	Spina
13	01-1017	1		K2	Push Rod	Stange	Tige	Varilla	Asta
14	01-1267	1		K2	Lock-Off Lever Asm	Hebel	Levier	Palanca	Leva
15	01-1001	1			Motor Housing	Gehäuse	Corps	Caja	Corpo
16	1002	1			Cylinder	Zylinder	Cylindre	Cilindro	Cilindro
17	504	1	●	K3	Ball Bearing	Kugellager	Roulement à billes	Cojinete de bolas	Cuscinetto a sfera
18	1041	2	●	K3	Pin	Stift	Goupille cylindrique	Pasador	Spina
19	Table B*	AR	●	K3	Rotor Blade	Rotorblatt	Palette	Alabe del rotor	Paletta del rotore
20	1017	1		K3	Spacer	Distanzstück	Entretoise	Espaciador	Distanziale
21	1355	1	●	K3	Shim Packet	Unterlegstück	Cale pelable	Calzo	Spessore
22	538	1	●	K3	Ball Bearing	Kugellager	Roulement à billes	Cojinete de bolas	Cuscinetto a sfera
23	Table B	1			Rotor	Rotor	Rotor	El rotor	Il rotore
24	1004	1			Front Plate	Vorderplatte	Plaque de devanture	Placa frontal	Piattello anteriore
25	1045	1			Lock Ring	Verschlussring	Bague de verrouillage	Anillo de cierre	Anello di bloccaggio
26	01-1047	1			Collet Guard	Schutzvorrichtung	Protection	Guarda	Protezione
27	01-1050	1			Collet Guard (Short)	Schutzvorrichtung	Protection	Guarda	Protezione
28	1054	1			Chuck Body	Futter Körper	Corps de trou	Bote el Cuerpo	Il Corpo di ciottolo
29	308	1			1/4" Collet	Futter	Douille de serrage	Boquilla	Bussola di chiusura
30	1053	1		K4	Nosepiece	Kopfstück	Tuyère	Tobera	Naso
31	1058	1		K4	Cap	Kappe	Chapeau	Tapa	Cappello
Not Shown									
--	14-0807	1			7/16" Wrench	Schraubenschlüssel	Clé plate	La llave	La chiave
--	14-0811	1			11/16" Wrench	Schraubenschlüssel	Clé plate	La llave	La chiave
Repair Kits:									
K2	04-0086	1			Throttle Kit	Satz	Ensemble	Juego	Corredo
K3	Table B	1			Motor Kit	Satz	Ensemble	Juego	Corredo
K4	04-0084	1			Output Kit	Satz	Ensemble	Juego	Corredo
K5	Table B	1			Air Inlet Kit	Satz	Ensemble	Juego	Corredo
*	Table B	1			Rotor Blade Kit	Satz	Ensemble	Juego	Corredo
●	Table B	1			Tune Up Kit	Satz	Ensemble	Juego	Corredo

(#) Quantity / Stückzahl / Quantité / Cantidad / Quantità

Table "B"

Ref.	Description	Qty.	12-1080	Qty.	12-1081	Qty.	12-1082
2	Inlet Adapter (w/o OH)	1	01-2505	1	01-2505	1	01-2505
	Inlet Adapter (w/ OH)	1	01-1031	1	01-1031	1	01-1031
19	Rotor Blade	4	1006 *	3	1006 *	4	1906 *
23	Rotor	1	1005	1	02-1214	1	1005
K3	Motor Kit	1	04-0042	1	04-0043	1	04-0044
K5	Air Inlet Kit (w/o OH)	1	04-0081	1	04-0081	1	04-0081
	Air Inlet Kit (w/ OH)	1	04-0082	1	04-0082	1	04-0082
*	Rotor Blade Kit	1	04-0031	1	04-0031	1	04-0032
●	Tune Up Kit	1	04-0215	1	04-0215	1	04-0216
	Tune Up Kit	1	04-0217	1	04-0217	1	04-0218

Sales & Service Centers

Note: All locations may not service all products. Please contact the nearest Sales & Service Center for the appropriate facility to handle your service requirements.

Dallas, TX
**Apex Tool Group
Sales & Service Center**
1470 Post & Paddock
Grand Prairie, TX 75050
Tel: 972-641-9563
Fax: 972-641-9674

Detroit, MI
**Apex Tool Group
Sales & Service Center**
2630 Superior Court
Auburn Hills, MI 48326
Tel: 248-391-3700
Fax: 248-391-7824

Houston, TX
**Apex Tool Group
Sales & Service Center**
6550 West Sam Houston
Parkway North, Suite 200
Houston, TX 77041
Tel: 713-849-2364
Fax: 713-849-2047

Lexington, SC
Apex Tool Group
670 Industrial Drive
Lexington, SC 29072
Tel: 800-845-5629
Tel: 803-951-7544
Fax: 803-358-7681

Los Angeles, CA
**Apex Tool Group
Sales & Service Center**
15503 Blackburn Avenue
Norwalk, CA 90650
Tel: 562-623-4457
Fax: 562-802-1718

Seattle, WA
**Apex Tool Group
Sales & Service Center**
2865 152nd Avenue N.E.
Redmond, WA 98052
Tel: 425-497-0476
Fax: 425-497-0496

York, PA
**Apex Tool Group
Sales & Service Center**
3990 East Market Street
York, PA 17402
Tel: 717-755-2933
Fax: 717-757-5063

Canada
**Apex Tool Group
Sales & Service Center**
5925 McLaughlin Road
Mississauga, Ont. L5R 1B8
Canada
Tel: 905-501-4785
Fax: 905-501-4786

Germany
Cooper Power Tools
GmbH & Co. OHG
a company of
Apex Tool Group, LLC
Industriestraße 1
73463 Westhausen
Germany
Tel: +49 (0) 73 63 81 0
Fax: +49 (0) 73 63 81 222

England
Cooper Power Tools
GmbH & Co. OHG
a company of
Apex Tool Group, LLC
C/O Spline Gauges
Piccadilly, Tamworth
Staffordshire B78 2ER
United Kingdom
Tel: +44 1827 8741 28
Fax: +44 1827 8741 28

France
Cooper Power Tools SAS
a company of
Apex Tool Group, LLC
25 rue Maurice Chevalier
77330 Ozoir-La-Ferrière
France
Tel: +33 1 6443 2200
Fax: +33 1 6443 1717

China
Cooper (China) Co., Ltd.
a company of
Apex Tool Group, LLC
955 Sheng Li Road,
Heqing Pudong, Shanghai
China 201201
Tel: +86-21-28994176
Fax: +86-21-51118446

Mexico
Cooper Tools
de México S.A. de C.V.
a company of
Apex Tool Group, LLC
Vialidad El Pueblito #103
Parque Industrial Querétaro
Querétaro, QRO 76220
Mexico
Tel: +52 (442) 211-3800
Fax: +52 (442) 103-0443

Brazil
Cooper Tools Industrial Ltda.
a company of
Apex Tool Group, LLC
Av. Liberdade, 4055
Zona Industrial - Iporanga
SP Brazil
Tel: +55 15 2383929
Fax: +55 15 2383260

Hungary
Cooper Tools Hungaria Kft.
a company of
Apex Tool Group, LLC
Berkenyefa sor 7
Pf: 640
9027 Győr
Hungary
Tel: +36 96 66 1383
Fax: +36 96 66 1135

Apex Tool Group, LLC
1000 Lufkin Road
Apex, NC 27539
Phone: 919-387-0099
Fax: 919-387-2614
www.apextoolgroup.com

DOTCO®