

# Dynabrade Raptor Vac<sup>®</sup> Portable Vacuum Systems

## Plus Additional Source Capture Solutions

- Aggressively Capture Workplace Dust and Debris
- Various Configurations to Meet Safety Requirements
- Electric and Pneumatic Models
- Certified NFPA/CSA Listed Vacuum Systems Available



*Watch  
Raptor Vac<sup>®</sup>  
Video!*



Introducing Dynabrade RAPTOR VAC® Portable Vacuum Systems, designed to aggressively capture dust and debris for a cleaner, safer workplace! Available in Electric and Pneumatic models, these Vacuums offer a variety of ergonomic features, with “The Dynabrade Difference” built right in!

# M-Class Vacuum System



## ELECTRIC Portable Vacuum System

For Collecting Dust & Debris such as Wood, Plastics, Fiberglass & Body Filler. Non-Conductive Polycarbonate Canister, for Dry Vacuuming Only.

Designed for general source capture and dry cleanup.

**Model 61400** M-Class – 120 V, 60 Hz, 20 Amp Plug (North America)

**Model 61420** M-Class – 120 V, 60 Hz, 15 Amp Plug (North America)

**Model 61408** M-Class – 230 V, 50 Hz, 15 Amp Plug (Europe)

- Designed for general source capture and **dry** cleanup.
- 7.8' (238 cm) water static lift; 120 CFM (3,400 L/Min) vacuum flow.
- Vacuum starts automatically with startup of tool.
- Bypass Motor System uses environmental air to cool the motor and extend vacuum life.
- Industrial polycarbonate canister, **25 gallon (94 liter) capacity**. This size allows filter to remain at substantial distance from collected debris, reducing clogging and extending motor life.
- Includes **HEPA H13 Filter** with 99.95 % efficiency on 0.3 micron.
- Automatic cleaning of filter. By connecting vacuum unit to external air supply, a blast of air is released to filter every 40 seconds of operation to cyclically clean it.
- Handy accessory outlet on motor head allows for additional versatility in workplace. (Model 61420 does not include accessory outlet.)
- Convenient orange warning light indicates that filter needs replacement.
- Red warning light indicates protection device has been activated to prevent heat overload to motor.



Connect two tools simultaneously!

Connects to optional 61483 Cart (page 4)!

See optional 96558 Cleaning Kit (page 15)!

### Certifications:



### SYSTEM INCLUDES:

- Two 20' (6 m) Non-Conductive Coaxial Hoses with Integrated Air Lines
- “Y” Connector
- Two Composite Couplers
- Two Vacuum Hose Swivel Adapters
- Two Disposable Collection Bags

Model Number	Capacity Gallon (Liter)	Voltage / Frequency	Watts	Amp (Plug for Region)	Tool Air Pressure PSIG (Bar)	Water Static Lift Inch / cm / mbar	Sound Level	Shipping Weight Pound (kg)	Height Inch (cm)	Width Inch (cm)	Length Inch (cm)
61400	25 (94)	120 V / 60 Hz	1250	20 (USA / CA)	90 (6.2)	94 / 238 / 234	73 dB(A)	77 (35)	40 (102)	25 (64)	20 (51)
61420*	25 (94)	120 V / 60 Hz	1250	15 (USA / CA)	90 (6.2)	94 / 238 / 234	73 dB(A)	77 (35)	40 (102)	25 (64)	20 (51)
61402	25 (94)	220-240 V / 50-60 Hz	1250	13 (UK)	90 (6.2)	94 / 238 / 234	73 dB(A)	77 (35)	40 (102)	25 (64)	20 (51)
61408	25 (94)	220-240 V / 50-60 Hz	1250	15 (CEE7)	90 (6.2)	94 / 238 / 234	73 dB(A)	77 (35)	40 (102)	25 (64)	20 (51)
61412	25 (94)	220-240 V / 50-60 Hz	1250	10 (Switz.)	90 (6.2)	94 / 238 / 234	73 dB(A)	77 (35)	40 (102)	25 (64)	20 (51)

\*Model 61420 DOES NOT include accessory outlet.



# M-Class Vacuum System



## ELECTRIC Portable Vacuum System

For Collecting Dust & Debris such as Wood, Plastics, Fiberglass & Body Filler.  
Conductive Stainless Steel Canister, for Dry Vacuuming Only.

Designed for general source capture and dry cleanup.

**Model 61401** M-Class – 120 V, 60 Hz, 20 Amp Plug (North America)

**Model 61421** M-Class – 120 V, 60 Hz, 15 Amp Plug (North America)

**Model 61409** M-Class – 230 V, 50 Hz, 15 Amp Plug (Europe)

**Model 61415** M-Class Certified Only – 230 V, 50/60 Hz, 15 Amp Plug (International)

- Designed for general source capture and **dry** cleanup.
- 7.8' (238 cm) water static lift; 120 CFM (3,400 L/Min) vacuum flow.
- Vacuum starts automatically with startup of tool.
- Bypass Motor System uses environmental air to cool the motor and extend vacuum life.
- Heavy-duty stainless steel recovery tank, with **20 gallon (78 liter) capacity** for clean filter assurance. This size allows filter to remain at substantial distance from collected debris, reducing clogging and extending motor life.
- Includes **HEPA H13 Filter** with 99.95 % efficiency on 0.3 micron.
- Automatic cleaning of filter. By connecting vacuum unit to external air supply, a blast of air is released to filter every 40 seconds of operation, to cyclically clean it.
- Handy accessory outlet on motor head allows for additional versatility in workplace. (Models 61415 and 61421 do not include accessory outlet.)
- Convenient orange warning light indicates that filter needs replacement.
- Red warning light indicates protection device has been activated to prevent heat overload to motor.

See optional  
**96563 Vacuum Tray**  
(page 17)!

Connect two tools  
simultaneously!



Connects to optional 61483 Cart (page 4)!

See optional 96558 Cleaning Kit (page 15)!

### Certifications:



M-Class

### EUROPEAN COUNTRIES:



M-Class

### SYSTEM INCLUDES:

- Two 20' (6 m) Conductive Coaxial Hoses with Integrated Air Lines
- Two Composite Couplers
- Vacuum Hose Swivel Cuff
- Two Disposable Collection Bags
- "Y" Connector

Model Number	Capacity Gallon (Liter)	Voltage / Frequency	Watts	Amp (Plug for Region)	Tool Air Pressure PSIG (Bar)	Water Static Lift Inch / cm / mbar	Sound Level	Shipping Weight Pound (kg)	Height Inch (cm)	Width Inch (cm)	Length Inch (cm)
61401	20 (78)	120 V / 60 Hz	1250	20 (USA / CA)	90 (6.2)	94 / 238 / 234	73 dB(A)	85 (39)	48 (122)	27 (69)	24 (61)
61421*	20 (78)	120 V / 60 Hz	1250	15 (USA / CA)	90 (6.2)	94 / 238 / 234	73 dB(A)	85 (39)	48 (122)	27 (69)	24 (61)
61403	20 (78)	220-240 V / 50-60 Hz	1250	13 (UK)	90 (6.2)	94 / 238 / 234	73 dB(A)	85 (39)	48 (122)	27 (69)	24 (61)
61409	20 (78)	220-240 V / 50-60 Hz	1250	15 (CEE7)	90 (6.2)	94 / 238 / 234	73 dB(A)	85 (39)	48 (122)	27 (69)	24 (61)
61413	20 (78)	220-240 V / 50-60 Hz	1250	10 (Switz.)	90 (6.2)	94 / 238 / 234	73 dB(A)	85 (39)	48 (122)	27 (69)	24 (61)
61415*	20 (78)	220-240 V / 50-60 Hz	1250	No Plug	90 (6.2)	94 / 238 / 234	73 dB(A)	85 (39)	48 (122)	27 (69)	24 (61)

\*Models 61415 and 61421 DO NOT include accessory outlet.

# Dynabrade Portable Vacuum Cart



## Vacuum/Accessory Cart

### Model 61483

#### *Accepts optional M-Class Portable Vacuums (pages 2-3)*

- Vacuum unit mounts and locks to cart for stability, and may be quickly removed for everyday maintenance.
- Tools, vacuum hoses, air lines and electric cord mount directly to cart, for convenient accessibility. Tools and accessories sold separately.
- Includes four shelves for handy storage of tools, accessories, abrasives and more. Shelves are protected by lockable door for added security.
- Top of cart may be utilized as additional shelf for tools, accessories, etc.
- Cart comes equipped with easy-glide steering casters to effortlessly transport vacuum unit, even on irregular surfaces.
- Durable powder-coated finish.
- Cart also accepts optional Division 2 Vacuums (pages 6-7).
- Shipping weight of Cart alone is 191 pounds (87 kg).



61483 Cart shown with optional M-Class Vacuum (see page 2), plus optional tools and hoses attached.

61483 Cart shown with optional M-Class Vacuum (see page 3), plus optional tools and hoses attached.



61483 Cart shown with optional M-Class Vacuum (see page 2), plus optional tools and hoses attached.



*Includes four shelves for convenient storage of tools, accessories and abrasives!*

*Lockable door for added security!*

# Industrial Vacuum System



## PNEUMATIC Portable Vacuum

*For Collecting Dust & Debris such as Wood, Plastics, Fiberglass & Body Filler.  
Conductive Stainless Steel Canister, for Dry Vacuuming Only.*

*Designed for general source capture and dry cleanup.*

### Model 64625

- Powerful industrial vacuum for commercial use, particularly where use of electric equipment is hazardous or where electric supply is not available.
- Connect and operate two tools simultaneously.
- **10 gallon (38 liter) capacity**; developed to be safe and portable.
- Top of the vacuum head is designed to work as a shelf to hold air tools, abrasives, etc.
- 100 CFM (2,830 L/Min) vacuum flow.
- The filter element is water resistant and washable.
- Also accepts optional 64630 HEPA Filter.
- USA Government National Stock Number 7910015614879.

*Connect two tools simultaneously!*



### Model 64635

- Same as above, and also includes two 64639 Conductive Coaxial Hose Assemblies.



*Both models include five dust collection bags.  
Bags also available in a 12-pack (64627).*

Model Number	Capacity Gallon (Liter)	Air Inlet Pressure PSIG (Bar)	Air Consumption CFM (L/Min)	Static Lift Inch of water / cm of water / mbar	Sound Level	Shipping Weight Pound (kg)	Height Inch (mm)	Width Inch (mm)
64625, 64635	10 (38)	80 (5.5)	35 (991)	57 / 145 / 142	73 dB(A)	64625: 50 (23)	44 (1,118)	19 (483)
		90 (6.2)	37 (1,048)	60 / 152 / 149				
		95 (6.6)	41 (1,161)	67 / 170 / 167				
		100 (6.9)	44 (1,246)	70 / 178 / 174				
		105 (7.2)	45 (1,274)	73 / 185 / 182				
		110 (7.6)	47 (1,331)	76 / 193 / 189		64635: 53 (24)		

## [Dynabrade.com](http://Dynabrade.com)

**Now Available in NINE Languages!**

- **English**
- **German** (Deutsch)
- **Turkish** (Türkçe)
- **Spanish** (Español)
- **Portuguese** (Português)
- **Italian** (Italiano)
- **French** (Français)
- **Simplified Chinese** (简体中文)
- **Russian** (русский)





# Division 2 Vacuum System



## ELECTRIC Portable Vacuum

*\*For Collecting Non-Metallic Dust & Debris such as Wood & Plastics.*

**Model 61430** Division 2 - 120 V, 60 Hz (North America)

**Model 61431** ATEX Cat. 3 for Zone 22 - 230 V, 50 Hz (Europe)

- Designed for general source capture and cleanup.
- Powerful suction is ideal for **dry-only** industrial applications.
- Bypass Motor System uses clean air to cool the motor and extend vacuum life.
- Includes **HEPA H14 Filter** with 99.995% efficiency on 0.3 micron.
- Two additional HEPA Filters included within powerhead, making powerhead eligible for IP6X.
- Top-quality stainless steel body and **10 gallon (38 liter)** recovery tank.
- Unit is static-dissipating (kit included) and conductive.
- Aerosol leak tested for quality assurance.
- Equipped with easy-glide cart.
- Also connects to optional 61483 Cart (see page 5).
- Dust Ignition Protected.

*For use where hazardous dust is not normally suspended in an ignitable concentration, but may accidentally exist.*

*See optional 96607  
Cleaning Kit (page 15)!*

*Connect two tools  
simultaneously!*



### Certifications:



Designed for use in:  
Class II, Division 2, Groups F & G



**EUROPEAN COUNTRIES:**  
ATEX Third Party Certified  
CE EX II 1/3 D  
Ex tc IIIC T200° C Dc IP6X c T3

*\*Zone 22 Vacuum Systems may be used in European countries for metallic collection, including aluminum, magnesium and other commercial alloys.*

### Vacuum for use in:

**Group F** atmospheres, containing combustible carbonaceous dusts, such as coal, carbon black, charcoal, coke dust

**Group G** atmospheres, containing wood and plastic dusts

### SYSTEM INCLUDES:

- Two 20' (6 m) Conductive Coaxial Hoses with Integrated Air Lines
- "Y" Connector
- Two Composite Couplers
- Two Vacuum Hose Swivel Adapters
- Disposable Collection Bag
- Conductive Poly Liner

Model Number	Regional Description	Capacity Gallon (Liter)	Voltage / Frequency	Watts	Amp (Plug for Region)	Tool Air Pressure PSIG (Bar)	Water Static Lift Inch / cm / mbar	Air Flow CFM (L/min)	Sound Level	Shipping Weight Pound (kg)	Height Inch (cm)	Width Inch (cm)	Length Inch (cm)
61430	Division 2	10 (38)	120 V / 60 Hz	1200	20 (USA / CA)	90 (6.2)	107 / 272 / 267	110 (3,115)	68 dB(A)	122 (56)	39 (99)	20 (51)	27 (69)
61431	ATEX Cat. 3 for Zone 22	10 (38)	220-240 V / 50-60 Hz	1200	13 (UK)	90 (6.2)	107 / 272 / 267	110 (3,115)	68 dB(A)	122 (56)	39 (99)	20 (51)	27 (69)

# Division 2 Vacuum System



## PNEUMATIC Portable Vacuum

*\*For Collecting Non-Metallic Dust & Debris such as Wood & Plastics.*

**Model 61440** *Division 2 (North America)*

**Model 61441** *ATEX Cat. 3 for Zones 2 & 22 (Europe)*

- Designed for general source capture and cleanup.
- Powerful suction is ideal for **dry-only** industrial applications.
- Includes **HEPA H14 Filter** with 99.995% efficiency on 0.3 micron.
- Two additional HEPA Filters included within powerhead, making powerhead eligible for IP6X.
- Top-quality stainless steel body and **10 gallon (38 liter)** recovery tank.
- Unit is static-dissipating (kit included) and conductive.
- Aerosol leak tested for quality assurance.
- Equipped with easy-glide cart.
- Also connects to optional 61483 Cart (see page 5).

*For use where hazardous dust is not normally suspended in an ignitable concentration, but may accidentally exist.*

*See optional 96607  
Cleaning Kit (page 15)!*

*Connect two tools  
simultaneously!*

### Certifications:

Designed for use in:  
Class I, Division 2, Groups A, B, C and D T6  
Class II, Division 2, Groups F, G  
Hazardous Locations as defined in the  
National Electric Code (NFPA 70).



**EUROPEAN COUNTRIES:**  
ATEX  
CE EX II 3 GD c IIC T6 (85° C)

*\*Zone 22 Vacuum Systems may be used in European countries for metallic collection, including aluminum, magnesium and other commercial alloys.*

### Vacuum for use in:

*Group F atmospheres, containing combustible carbonaceous dusts, such as coal, carbon black, charcoal, coke dust*

*Group G atmospheres, containing wood and plastic dusts*

### SYSTEM INCLUDES:

- Two 20' (6 m) Conductive Coaxial Hoses with Integrated Air Lines
- "Y" Connector
- Two Composite Couplers
- Two Vacuum Hose Swivel Adapters
- Disposable Collection Bag
- Conductive Poly Liner

Model Number	Regional Description	Capacity Gallon (Liter)	Air Inlet Pressure PSIG (Bar)	Air Consumption CFM / (L/Min)	Water Static Lift Inch / cm / mbar	Air Flow CFM (L/min)	Sound Level	Shipping Weight Pound (kg)	Height Inch (cm)	Width Inch (cm)	Length Inch (cm)
61440	Division 2	10 (38)	90 (6.2)	45 (1,274)*	170 / 432 / 423	120 (3,398)	80 dB(A)	102 (46)	39 (99)	20 (51)	27 (69)
61441	ATEX Cat. 3 for Zones 2 & 22	10 (38)	90 (6.2)	45 (1,274)*	170 / 432 / 423	120 (3,398)	80 dB(A)	102 (46)	39 (99)	20 (51)	27 (69)

**\*NOTE:** Be sure to add air consumption for EACH TOOL attached to Vacuum, for total CFM (L/Min) requirement.

# Division 1 Vacuum System



## ELECTRIC Portable Vacuum

*For Collecting Metallic Dust & Debris such as Aluminum and Commercial Alloys.  
Collects Maximum of 5 lbs. (2.27 kg) of Dust.*

**GUARANTEED** for safe recovery of combustible/conductive dusts.

**Model 61450** Division 1 - 120 V, 50/60 Hz (North America)

**Model 61451** ATEX Cat. 2 for Zones 1 & 21, 230 V, 50/60 Hz (Europe)

- Designed for **dry-only** source capture, where fine dust must be recovered.
- Legally certified as **explosion-proof** and **dust ignition-proof**.
- Includes **HEPA H14 Filter** with 99.995% efficiency on 0.3 micron. Filter is located downstream of the motor. Manual Filter Shaker (MFS) system.
- Top-quality stainless steel body and **6.25 gallon (24 liter)** recovery tank. Maximum 5 pounds (2.27 kg) of metal dust recovery.
- Easy “one click” detaching and connecting of recovery tank!
- Unit is static-dissipating and conductive.
- Aerosol leak tested for quality assurance.
- Equipped with easy-glide cart and tool basket.

**Includes 96608  
Conductive Cleaning Kit  
(page 15)!**

**Connect two tools  
simultaneously!**



### Certifications:



Designed for use in:  
Class I, Division 1, Group D T3C  
Class II, Division 1, Groups E, F and G  
Hazardous Locations as defined in  
the National Electric Code (NFPA 70)

**EUROPEAN COUNTRIES:**  
ATEX Third Party Certified  
CE EX II 2 GD Ex d IIA T3 Gb  
Ex t IIIIC T 200° C Db IP 6X

### Vacuum for use in:

**Group D** atmospheres, containing flammable gas, flammable liquid-produced vapor, or combustible liquid-produced vapor mixed with air that may burn or explode

**Group E** atmospheres, containing potentially combustible dusts, including aluminum, magnesium, and their commercial alloys

**Group F** atmospheres, containing combustible carbonaceous dusts, such as coal, carbon black, charcoal, coke dust

**Group G** atmospheres, containing wood and plastic dusts

### SYSTEM INCLUDES:

- Two 20' (6 m) Conductive Coaxial Hoses with Integrated Air Lines
- “Y” Connector
- Two Composite Couplers
- Two Vacuum Hose Swivel Adapters
- Conductive Poly Liner
- 3/4" x 25' (19 mm x 7.6 m) Conductive Air Line Supply

Model Number	Regional Description	Capacity Gallon (Liter)	Dust Recovery Pound (kg)	Voltage / Frequency	Watts	Amp (Plug for Region)	Tool Air Pressure PSIG (Bar)	Water Static Lift Inch / cm / mbar	Air Flow CFM (L/Min)	Sound Level	Shipping Weight Pound (kg)	Height Inch (cm)	Width Inch (cm)	Length Inch (cm)
61450	Division 1	6.25 (24)	5 (2.27)	120 V / 50/60 Hz	1,000	20 (USA / CA)	90 (6.2)	69 / 175 / 172	132 (3,738)	85 dB(A)	179 (81)	43 (109)	26 (66)	26 (66)
61451	ATEX Cat. 2 for Zones 1 & 21	6.25 (24)	5 (2.27)	220-240 V / 50-60 Hz	1,000	13 (UK)	90 (6.2)	69 / 175 / 172	132 (3,738)	85 dB(A)	179 (81)	43 (109)	26 (66)	26 (66)



# Division 1 Vacuum System



## PNEUMATIC Portable Vacuum

For Collecting Metallic Dust & Debris such as Aluminum and Commercial Alloys.

Collects Maximum of 5 lbs. (2.27 kg) of Dust.

**GUARANTEED** for safe recovery of combustible/conductive dusts.

**Model 61465** Division 1 (North America)

**Model 61466** ATEX Cat. 2 for Zones 1 & 21 (Europe)

- Designed for **dry-only** source capture, where fine dust must be recovered.
- Legally certified as **explosion-proof** and **dust ignition-proof**.
- Includes **HEPA H14 Filter** with 99.995% efficiency on 0.3 micron. Filter is located downstream of the motor. Manual Filter Shaker (MFS) system.
- Top-quality stainless steel body and **6.25 gallon (24 liter)** recovery tank. Maximum 5 pounds (2.27 kg) of metal dust recovery.
- Easy “one click” detaching and connecting of recovery tank!
- Unit is static-dissipating (kit included) and conductive.
- Aerosol leak tested for quality assurance.
- Equipped with easy-glide cart and tool basket.

**Includes 96608  
Conductive Cleaning Kit  
(page 15)!**

**Connect two tools  
simultaneously!**



### Certifications:

Designed for use in:

Class I, Division 1, Groups A, B, C, D, T6

Class II, Division 1, Groups E, F, G

Hazardous Locations as defined in the National Electric Code (NFPA 70)



### Vacuum for use in:

**Group A** atmospheres, containing acetylene

**Group B** atmospheres, containing flammable gas, flammable liquid-produced vapor, or combustible liquid-produced vapor mixed with air

**Group C** atmospheres, containing flammable gas, flammable liquid-produced vapor, or combustible liquid-produced vapor mixed with air

**Group D** atmospheres, containing flammable gas, flammable liquid-produced vapor, or combustible liquid-produced vapor mixed with air that may burn or explode

**Group E** atmospheres, containing potentially combustible dusts, including aluminum, magnesium, and their commercial alloys

**Group F** atmospheres, containing combustible carbonaceous dusts, such as coal, carbon black, charcoal, coke dust

**Group G** atmospheres, containing wood and plastic dusts

### SYSTEM INCLUDES:

- Two 20' (6 m) Conductive Coaxial Hoses with Integrated Air Lines
- “Y” Connector
- Two Composite Couplers
- Two Vacuum Hose Swivel Adapters
- Conductive Poly Liner
- 3/4" x 25' (19 mm x 7.6 m) Conductive Air Line Supply

Model Number	Regional Description	Capacity Gallon (Liter)	Max. Dust Recovery Pound (kg)	Air Inlet Pressure PSIG (Bar)	Air Consumption CFM / (L/Min)	Air Flow CFM (L/Min)	Water Static Lift Inch / cm / mbar	Sound Level	Shipping Weight Pound (kg)	Height Inch (cm)	Width Inch (cm)	Length Inch (cm)
61465	Division 1	6.25 (24)	5 (2.27)	90 (6.2)	45 (1,274)*	110 (3,115)	180 / 457 / 448	80 dB(A)	168 (76)	48 (122)	22 (56)	20 (51)
61466	ATEX Cat. 2 for Zones 1 & 21	6.25 (24)	5 (2.27)	90 (6.2)	45 (1,274)*	110 (3,115)	180 / 457 / 448	80 dB(A)	168 (76)	48 (122)	22 (56)	20 (51)

\*NOTE: Be sure to add air consumption for EACH TOOL attached to Vacuum, for total CFM (L/Min) requirement.

# Division 1 with Immersion Separator



## ELECTRIC Portable Vacuum with Division 1 Immersion Separator

For Collecting Metallic Dust & Debris such as Aluminum, Magnesium, Titanium, Commercial Alloys. Collects Maximum of 22 lbs. (10 kg) of Dust.

**GUARANTEED** for safe recovery of combustible/conductive dusts. Renders hazardous dusts inert using mineral oil as neutralizing liquid.

**Model 61461** Division 1 - 120 V, 50/60 Hz (North America)

**Model 61462** ATEX Cat. 2 for Zones 1 & 21  
230 V, 50/60 Hz (Europe)

- Legally certified as **explosion-proof** and **dust ignition-proof**.
- Utilized for the recovery of metallic, conductive and explosive dusts, into a liquid immersion bath such as water, paraffin oil or mineral oil. **Renders hazardous dusts inert.**
- Recovery capacity of 22 lbs (10 kg) of dust into 7.9 gallons (30 liters) of neutralizing liquid.
- Includes **HEPA H14 Filter** with 99.995% efficiency on 0.3 micron. Filter is located downstream of the motor.
- Stainless steel recovery tank (SAE 304). Easy “one click” detaching and connecting of tank!
- Unit is static-dissipating (kit included) and conductive.
- Aerosol leak tested for quality assurance.
- Equipped with easy-glide cart and tool basket.
- Dynabrade recommends the use of Mineral Oil with viscosity of 10.5 cSt.

**Includes 96608  
Conductive Cleaning  
Kit (page 15)!**



### Certifications:



Designed for use in:  
Class I, Division 1, Group D T3C  
Class II, Division 1, Groups E, F and G  
Hazardous Locations as defined in  
the National Electric Code (NFPA 70)

**Connect two tools  
simultaneously!**



**EUROPEAN COUNTRIES:**  
ATEX Third Party Certified  
CE EX II 2 GD Ex d IIA T3 Gb  
Ex t III C T 200° C Db IP 6X

### Vacuum for use in:

**Group D** atmospheres, containing flammable gas, flammable liquid-produced vapor, or combustible liquid-produced vapor mixed with air that may burn or explode

**Group E** atmospheres, containing potentially combustible dusts, including aluminum, magnesium, and their commercial alloys

**Group F** atmospheres, containing combustible carbonaceous dusts, such as coal, carbon black, charcoal, coke dust

**Group G** atmospheres, containing wood and plastic dusts

### SYSTEM INCLUDES:

- Two 20' (6 m) Conductive Coaxial Hoses with Integrated Air Lines
- “Y” Connector
- Two Composite Couplers
- Two Vacuum Hose Swivel Adapters
- 3/4" x 25' (19 mm x 7.6 m) Conductive Air Line Supply

Model Number	Regional Description	Max. Recovery Capacity Pound (kg)	Neutralizing Liquid Gallon (Liter)	Voltage Frequency	Watts	Amp (Plug for Region)	Tool Air Pressure PSIG (Bar)	Water Static Lift Inch / cm / mbar	Air Flow CFM (L/Min)	Sound Level	Shipping Weight Pound (kg)	Height Inch (cm)	Width Inch (cm)	Length Inch (cm)
61461	Division 1	22 (10)	7.9 (30)	120 V / 50/60 Hz	1000	20 (USA / CA)	90 (6.2)	89 /175 / 172	132 (3,738)	85 dB(A)	427 (194)	72 (183)	60 (152)	36 (91)
61462	ATEX Cat. 2 for Zones 1 & 21	22 (10)	7.9 (30)	220-240 V / 50-60 Hz	1000	13 (UK)	90 (6.2)	89 /175 / 172	132 (3,738)	85 dB(A)	427 (194)	72 (183)	60 (152)	36 (91)

# Division 1 with Immersion Separator



## PNEUMATIC Portable Vacuum with Division 1 Immersion Separator

For Collecting Metallic Dust & Debris such as Aluminum, Magnesium, Titanium, Commercial Alloys.  
Collects Maximum of 22 lbs. (10 kg) of Dust.

**GUARANTEED** for safe recovery of combustible/conductive dusts. Renders hazardous dusts inert using mineral oil as neutralizing liquid.

**Model 61463** Division 1 (North America)

**Model 61464** ATEX Cat. 2 for Zones 1 & 21 (Europe)

- Legally certified as **explosion-proof** and **dust ignition-proof**.
- Utilized for the recovery of metallic, conductive and explosive dusts, into a liquid immersion bath such as water, paraffin oil or mineral oil. **Renders hazardous dust inert.**
- Recovery capacity of 1.3 gallons (5 liters) of dust into 7.9 gallons (30 liters) of neutralizing liquid.
- Includes **HEPA H14 Filter** with 99.995% efficiency on 0.3 micron. Filter is located downstream of the motor.
- Stainless steel recovery tank (SAE 304). Easy “one click” detaching and connecting of tank!
- Unit is static-dissipating (kit included) and conductive.
- Aerosol leak tested for quality assurance.
- Equipped with easy-glide cart and tool basket.
- Dynabrade recommends the use of Mineral Oil with viscosity of 10.5 cSt.

See optional 96608  
Conductive Cleaning  
Kit (page 15)!

Connect two tools  
simultaneously!



### Certifications:

Designed for use in:

Class I, Division 1, Groups A, B, C, D, T6

Class II, Division 1, Groups E, F, G

Hazardous Locations as defined in the National Electric Code (NFPA 70)



### Vacuum for use in:

**Group A** atmospheres, containing acetylene

**Group B** atmospheres, containing flammable gas, flammable liquid-produced vapor, or combustible liquid-produced vapor mixed with air

**Group C** atmospheres, containing flammable gas, flammable liquid-produced vapor, or combustible liquid-produced vapor mixed with air

**Group D** atmospheres, containing flammable gas, flammable liquid-produced vapor, or combustible liquid-produced vapor mixed with air that may burn or explode

**Group E** atmospheres, containing potentially combustible dusts, including aluminum, magnesium, and their commercial alloys

**Group F** atmospheres, containing combustible carbonaceous dusts, such as coal, carbon black, charcoal, coke dust

**Group G** atmospheres, containing wood and plastic dusts

### SYSTEM INCLUDES:

- Two 20' (6 m) Conductive Coaxial Hoses with Integrated Air Lines
- “Y” Connector
- Two Composite Couplers
- Two Vacuum Hose Swivel Adapters
- 3/4" x 25' (19 mm x 7.6 m) Conductive Air Line Supply

Model Number	Regional Description	Recovery Capacity Pound (kg)	Neutralizing Liquid Gallon (Liter)	Air Inlet Pressure PSIG (Bar)	Air Consumption CFM / (L/Min)	Air Flow CFM (L/Min)	Water Static Lift Inch / cm / mbar	Sound Level	Shipping Weight Pound (kg)	Height Inch (cm)	Width Inch (cm)	Length Inch (cm)
61463	Division 1	22 (10)	7.9 (30)	90 (6.2)	45 (1,274)*	110 (3,115)	180 / 457 / 448	80 dB(A)	277 (126)	72 (183)	34 (86)	36 (91)
61464	ATEX Cat. 2 for Zones 1 & 21	22 (10)	7.9 (30)	90 (6.2)	45 (1,274)*	110 (3,115)	180 / 457 / 448	80 dB(A)	277 (126)	72 (183)	34 (86)	36 (91)

\*NOTE: Be sure to add air consumption for EACH TOOL attached to Vacuum, for total CFM (L/Min) requirement.



# Wall-Mount Vacuums



## PNEUMATIC Vacuum - Wall-Mount Style

For Use on Metallic Surfaces such as Aluminum & Commercial Alloys.

**Model 61470** Division 1 (North America)

**Model 61471** ATEX Cat. 2 for Zones 1 & 21 (Europe)

- Designed for dry source capture, to be used for general maintenance in potentially hazardous locations.
- Lightweight, **handheld design** provides great mobility!
- All stainless steel construction (SAE 304).
- Includes **HEPA H14 Filter** with 99.995% efficiency on 0.3 micron.
- Air jet is adjustable from 80" to 90" of static waterlift.
- Aerosol leak tested for quality assurance.
- Unit is static-dissipating (kit included) and conductive.
- Recovery capacity of 1.5 gallons (6 liters) in optional Disposable Filter Bag.

**Includes Brackets for Mounting to Wall or to Vacuum Cart (below)!**

**Easily Removed for Handheld Use!**

**See optional 62831 & 61832 Conductive Cleaning Kits (page 15)!**



### Certifications:

Designed for use in:

Class I, Division 1, Groups A, B, C, D, T6; Class II, Division 1, Groups E, F, G Hazardous Locations as defined in the National Electric Code (NFPA 70)



### SYSTEM INCLUDES:

- 20' (6 m) Conductive Air Hose with Integrated Air Lines
- 1/2" by 2' (25 mm x 0.6 m) Conductive Air Line Supply
- Composite Coupler
- Vacuum Hose Swivel Adapter
- Three Collection Bags

Model Number	Regional Description	Capacity Gallon (Liter)	Max. Capacity Pound (kg)	Air Inlet Pressure PSIG (Bar)	Air Consumption CFM / (L/Min)	Water Static Lift Inch / cm / mbar	Air Flow CFM (L/Min)	Sound Level	Shipping Weight Pound (kg)	Height Inch (cm)	Width Inch (cm)	Length Inch (cm)
61470	Division 1	1.5 (6)	5 (2.3)	90 (6.2)	35 (991)*	80 / 203 / 199	50 (1,416)	68 dB(A)	28 (13)	16 (41)	18 (46)	30 (76)
61471	ATEX Cat. 2 for Zones 1 & 21	1.5 (6)	5 (2.3)	90 (6.2)	35 (991)*	80 / 203 / 199	50 (1,416)	68 dB(A)	28 (13)	16 (41)	18 (46)	30 (76)

\*NOTE: Be sure to add air consumption for EACH TOOL attached to Vacuum, for total CFM (L/Min) requirement.

## Vacuum/Accessory Cart

**Model 61483**

**Accepts one or two optional Wall-Mount Portable Vacuums (above)**

- Vacuum unit mounts and locks to cart for stability, and may be quickly removed for everyday maintenance.
- Tools, vacuum hoses, air lines and electric cord mount directly to cart, for convenient accessibility. Tools and accessories sold separately.
- Includes four shelves for handy storage of tools, accessories, abrasives and more. Shelves are protected by lockable door for added security.
- Top of cart may be utilized as additional shelf for tools, accessories, etc.
- Cart comes equipped with easy-glide steering casters to effortlessly transport vacuum unit, even on irregular surfaces.
- Durable powder-coated finish.
- Shipping weight of Cart alone is 191 pounds (87 kg).

61483 Cart shown with optional Wall-Mount Vacuum mounted (see above), plus optional tool and hose attached. Second Wall-Mount Vacuum may also be mounted.



# Backpack Vacuums



## PNEUMATIC Vacuum - Backpack Style

For Use on Metallic Surfaces such as Aluminum & Commercial Alloys.

**Model 61472** *Division 1 (North America)*

**Model 61473** *ATEX Cat. 2 for Zones 1 & 21 (Europe)*

- Designed for dry source capture, to be used for general maintenance in potentially hazardous locations.
- Lightweight design is ideal in tight areas where larger vacuum unit cannot be used.
- All stainless steel construction (SAE 304).
- Includes **HEPA H14 Filter** with 99.995% efficiency on 0.3 micron.
- Air jet is adjustable from 80" to 90" of static waterlift.
- Aerosol leak tested for quality assurance.
- Unit is static-dissipating (kit included) and conductive.
- Recovery capacity of 1.5 gallons (6 liters) in optional Disposable Filter Bag.

*Includes Backpack Harness for Great Mobility!*



*See optional 62831 & 62832  
Conductive Cleaning Kits (page 15)!*

### Certifications:

Designed for use in:

Class I, Division 1, Groups A, B, C, D, T6

Class II, Division 1, Groups E, F, G

Hazardous Locations as defined in the National Electric Code (NFPA 70)



### SYSTEM INCLUDES:

- 8' (2.5 m) Conductive Air Hose with Integrated Air Lines
- 1/2" by 25' (25 mm x 7.6 m) Conductive Air Line Supply
- Composite Coupler
- Vacuum Hose Swivel Adapter
- Three Collection Bags

Model Number	Regional Description	Capacity Gallon (Liter)	Max. Capacity Pound (kg)	Air Inlet Pressure PSIG (Bar)	Air Consumption CFM / (L/Min)	Water Static Lift Inch / cm / mbar	Air Flow CFM (L/Min)	Sound Level	Shipping Weight Pound (kg)	Height Inch (cm)	Width Inch (cm)	Length Inch (cm)
61472	Division 1	1.5 (6)	5 (2.3)	90 (6.2)	35 (991)*	80 / 203 / 199	50 (1,416)	68 dB(A)	32 (14)	16 (41)	18 (46)	30 (76)
61473	ATEX Cat. 2 for Zones 1 & 21	1.5 (6)	5 (2.3)	90 (6.2)	35 (991)*	80 / 203 / 199	50 (1,416)	68 dB(A)	32 (14)	16 (41)	18 (46)	30 (76)

\*NOTE: Be sure to add air consumption for EACH TOOL attached to Vacuum, for total CFM (L/Min) requirement.

# Dynabrade Raptor Vac® Portable Vacuums



Page Number	M-Class Polycarbonate 25 Gallon (94 Liter)	M-Class Stainless Steel 20 Gallon (78 Liter)	Industrial 10 Gallon (38 Liter)	Division 2 120 V (60 Hz)	ATEX Cat. 3 for Zone 22 230 V (50 Hz)	Division 1 120 V (50/60 Hz)	ATEX Cat. 2 for Zones 1 & 21 230 V (50/60 Hz)	Division 1 120 V (50/60 Hz) *Wall-Mount, Backpack	ATEX Cat. 2 for Zones 1 & 21 *Wall-Mount, Backpack	With Immersion Separator	
										Division 1 120 V (50/60 Hz)	ATEX Cat. 2 for Zones 1 & 21 230 V (50/60 Hz)
2	61400, 61402, 61408, 61412, 61420	3	5	6 - 7	6 - 7	8 - 9	8 - 9	12 - 13	12 - 13	10 - 11	10 - 11
Electric	61401, 61403, 61409, 61413, 61415, 61421			61430	61431	61450	61451			61461	61462
Pneumatic			64625, 64635	61440	61441	61465	61466	*61470, 61472	*61471, 61473	61463	61464
<b>What Materials can be Collected?</b>											
Non-metals, non-combustible such as woods, plastics											
Non-metals, woods, plastics, <b>combustible</b> carbonaceous dusts such as coal, carbon black, charcoal and coke dust. DRY ONLY.											
Metallic collection, including aluminum, magnesium and other commercial alloys											
<b>How Much METALLIC Dust can be Collected?</b>											
Maximum 5 pounds (2.3 kg) of Metallic Dust											
More than 5 pounds (2.3 kg) of Metallic Dust, up to maximum 22 pounds (10 kg) of Metallic Dust											
<b>What Certification Documents are Included?*</b>											
C UL US Listed, M-Class, CE, EAC											
NFPA / CSA Certified											
ATEX Certified											
<b>Does Raptor Vac® Connect to 61483 Cart?</b>											
Yes											

\*\*Certification documents support the regional standards that define the proper method of collecting hazardous dusts. UL testing, ATEX and CE labs have conducted complete testing on each Dynabrade Raptor Vac® model, to prove regional conformity. For example, if an operator is collecting 10 pounds (4.5 kg) of dust in a day, he should be using Dynabrade Raptor Vac® model 61461 (electric) or 61463 (pneumatic).

### CFM Air Flow vs. Static Water Lift:

FLOW refers to the finer particles that Dynabrade Abrasive Power Tools create when used. The greater the flow, the more efficiency there is in collecting and carrying small particles to the vacuum. LIFT refers to the weight of the particle being lifted, and is useful when referencing larger or heavy material (concrete debris for example).



# Raptor Vac® Vacuum Cleaning Kits

## M-Class Vacuums: Optional Cleaning Kit

*For M-Class Portable Vacuums (pages 2-3)*

### Part No. 96558

- Vacuum Hose, 6' (1.8 m) length
- Curved handle with two extensions
- Round brush
- Crevice tool
- Coarse nozzle attachment



## Division 2 Vacuums: Optional Conductive Cleaning Kit

*For Division 2 Portable Vacuums (pages 6-7)*

### Part No. 96607

- Vacuum Hose, 10 ft. (3 m) length
- Curved handle with extension
- Round brush
- Crevice tool
- Small & large coarse nozzle



## Division 1 Vacuums: Conductive Cleaning Kit

*Included with Division 1 Portable Vacuums (pages 8-10)  
Optional for Models 61463, 61464 (page 11)*

### Part No. 96608

- Vacuum Hose, 10 ft. (3 m) length
- Curved handle with extension
- Round brush
- Crevice tool & curved crevice tool
- Large coarse nozzle



## Wall-Mount & Backpack Vacuums: Optional Conductive Cleaning Kit

*For Wall-Mount & Backpack Vacuums (pages 12-13)*

**Part No. 62831** 20 ft. (6 m) Vacuum Hose

**Part No. 62832** 8 ft. (2.5 m) Vacuum Hose

- |                                       |                             |
|---------------------------------------|-----------------------------|
| • 1-1/4" to 1-1/2" Hose cuff expander | • Crevice tool              |
| • 1-1/2" Hose cuff coupler            | • Small flat tool           |
| • Stainless steel male connect        | • Extension wand (set of 2) |
| • Round brush                         | • Large floor tool          |



# Vacuum Hose Assemblies

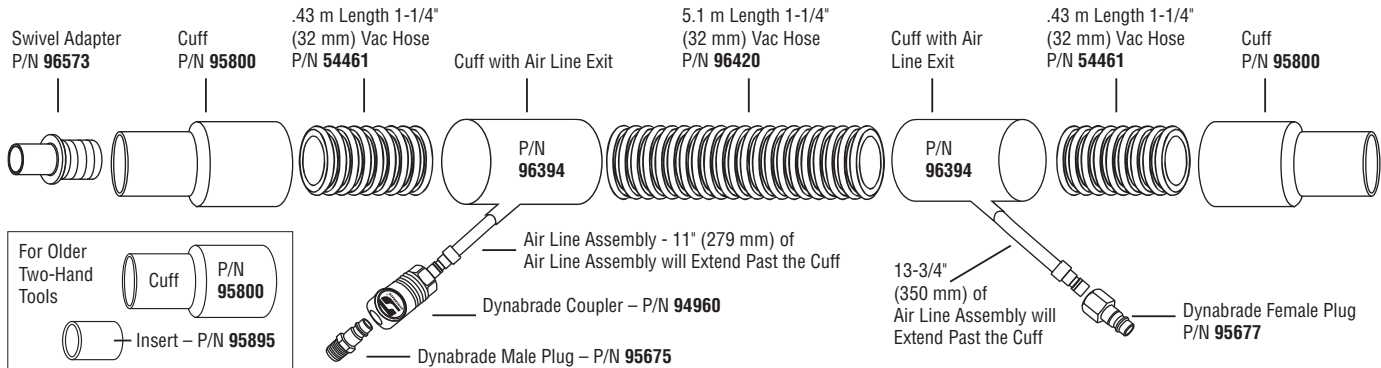


## Coaxial Vacuum Hose Assembly

Included with Raptor Vac® Models 61400, 61402, 61408, 61412, 61420

### Part No. 94941

1-1/4" Diameter x 20' Long (32 mm x 6 m)



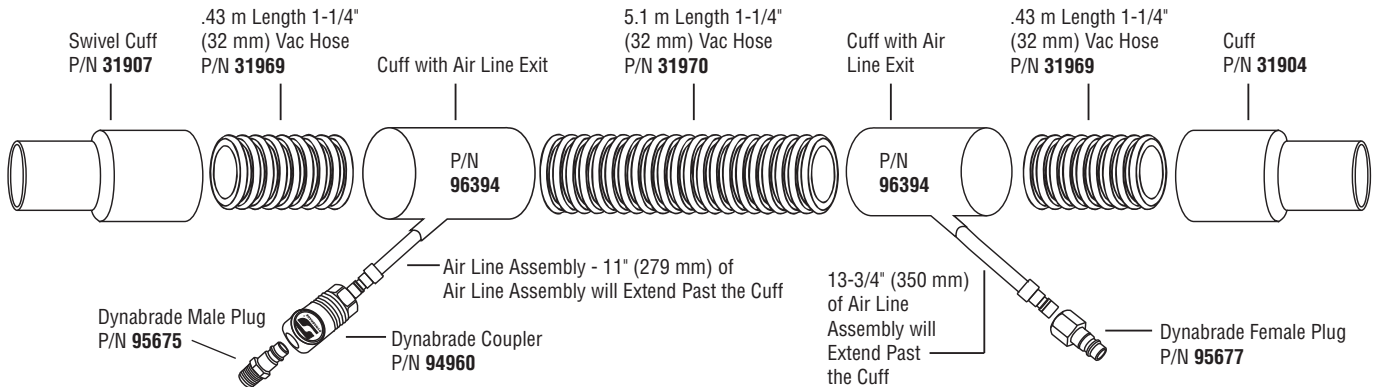
## Conductive Vacuum Hose Assembly

Included with Raptor Vac® Models 61401, 61403, 61409, 61413, 61415, 61421, 61430, 61431, 61440, 61441, 61450, 61451, 61461, 61462, 61457, 61459, 61463, 61464, 61470, 61471, 61472\*, 61473\*

### Part No. 31962

1-1/4" Diameter x 20' Long (32 mm x 6 m)

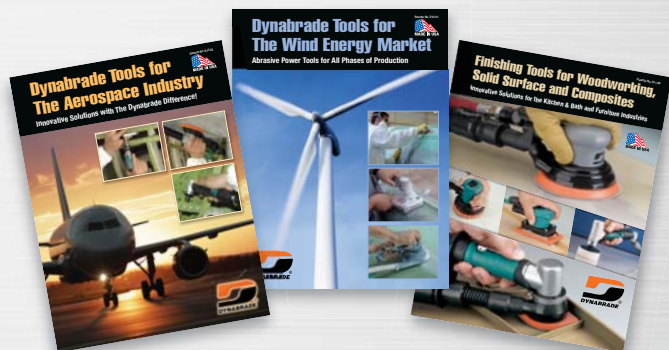
\*61472 and 61473 Raptor Vac® models include 31955 Hose Assembly, 1-1/4" Diameter x 8' Long (32 mm x 2.4 m)



## Dynabrade Industry Segment and Product Group Catalogs

Each catalog features **Dynabrade** tool information and applications specific to **key markets!**

- **Aerospace Industry** (D15.02)
- **Wood, Solid Surface & Composites** (D11.08)
- **Tools for Wind Energy Market** (D10.01)
- **Vacuum Tools & Accessories** (D09.18)
- **"D3" Random Orbital Sanders** (D09.08R)



See complete Literature Library at  
**Dynabrade.com!**

# M-Class Vacuum Accessories

Optional Accessories Sold Separately



## Disposable Dust Collection Bags

For All Models on Pages 2-3

Part No. 96623



## HEPA Filter/Main

For All Models on Pages 2-3

Part No. 80459



## Conductive "Y" Connector Inlet

For All Models on Pages 2-3

Part No. 31968



## Vacuum Inlet

For All Models on Pages 2-3

Part No. 31964



## Vacuum Tray/ Optional Vacuum Hose Hanger

Attaches to Models 61401, 61403,  
61409, 61413, 61415, 61421 only (page 3)

Part No. 96563



Tray shown with  
96581 Hose Hanger,  
sold separately.

**HIGHEST  
QUALITY!**

**FASTEST  
SHIPPING!**



**FREE ON-SITE  
DEMOS!**

**BEST  
SERVICE!**

**Discover The Dynabrade Difference!**

**[Dynabrade.com](http://Dynabrade.com)**



# Division 2 and Division 1 Vacuum Accessories

Optional Accessories Sold Separately

## Division 2 Vacuum Accessories

### Division 2

**ATEX Cat. 3 for Zone 22**

*Electric: 61430, 61431 (pg. 6)*

Part No.	Description	Qty.
62410	Cooling HEPA Filter/Intake	1
62640	Working Air HEPA Filter/Intake	1
62483	HEPA Filter/Exhaust	1
62647	Collection Bag	3-Pack
62638	Conductive Poly Liner	5-Pack

Part No.	Description	Qty.
62719	Pre-Filter	1
62449	Grounded Air Line	1
96607	Conductive Cleaning Kit	1
62414	Micro Safety Filter	1

### Division 2

**ATEX Cat. 3 for Zones 2 & 22**

*Pneumatic: 61440, 61441 (pg. 7)*

Part No.	Description	Qty.
62640	Working Air HEPA Filter/Intake	1
62677	Pre-Filter	1
62647	Collection Bag	3-Pack
62638	Conductive Poly Liner	5-Pack
62449	Grounded Air Line	1
96607	Conductive Cleaning Kit	1
62414	Micro Safety Filter	1



## Division 1 Vacuum Accessories

### Division 1

**ATEX Cat. 2 for Zones 1 & 21**

*Electric: 61450, 61451 (pg. 8)*

Part No.	Description	Qty.
62585	HEPA Filter/Exhaust	1
62668	Pre-Filter	1
62635	Conductive Poly Liner	5-Pack
62449	Grounded Air Line	1
96608	Conductive Cleaning Kit	1

### Division 1

**ATEX Cat. 2 for Zones 1 & 21**

*Pneumatic: 61465, 61466 (pg. 9)*

Part No.	Description	Qty.
62585	HEPA Filter/Exhaust	1
62668	Pre-Filter	1
62635	Conductive Poly Liner	5-Pack
62449	Grounded Air Line	1
96608	Conductive Cleaning Kit	1

### Division 1

**ATEX Cat. 2 for Zones 1 & 21**

**With Immersion Separator**

*Electric: 61461, 61462 (pg. 10)*

Part No.	Description	Qty.
62585	HEPA Filter/Exhaust	1
62668	Pre-Filter	1
62449	Grounded Air Line	1
96608	Conductive Cleaning Kit	1

### Division 1

**ATEX Cat. 2 for Zones 1 & 21**

**With Immersion Separator**

*Pneumatic: 61463, 61464 (pg. 11)*

Part No.	Description	Qty.
62585	HEPA Filter/Exhaust	1
62449	Grounded Air Line	1
96608	Conductive Cleaning Kit	1

### Division 1

**ATEX Cat. 2 for Zones 1 & 21**

*Pneumatic Wall-Mount: 61470, 61471 (pg. 12)*

*Pneumatic Backpack: 61472, 61473 (pg. 12)*

Part No.	Description	Qty.	Part No.	Description	Qty.
62415	HEPA Filter/Exhaust	1	62778	Pre-Filter Assembly	1
62787	Collection Bag	3-Pack	62587	Grounded Air Line	1



# Raptor Vac® Dust Extraction Arms

For ATEX Approved Extraction of Combustible Dust 



*Raptor Vac® Dust Extraction Arms are used with Division 1 Vacuums (pages 8-11), and are specially designed for workplaces generating large amounts of dust/fumes. These easy-to-use Arms afford the operator the ultimate in mobility and flexibility, along with high-suction capability in even the toughest areas!*

## 8" Round Hood

**Part No. 62840**

*For use with models  
61450, 61451, 61465, 61466*

**Part No. 62843**

*For use with models  
61461, 61462, 61463, 61464*



## 15" Round Hood

**Part No. 62841**

*For use with models  
61450, 61451, 61465, 61466*

**Part No. 62844**

*For use with models  
61461, 61462, 61463, 61464*



## 13" x 19" Hood

**Part No. 62842**

*For use with models  
61450, 61451, 61465, 61466*

**Part No. 62845**

*For use with models  
61461, 61462, 61463, 61464*

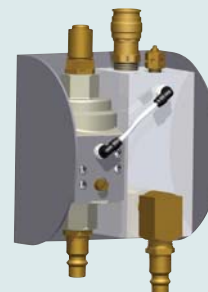


## Discover The Dynabrade Difference!

If you have questions about features and/or accessories not shown in this brochure, please contact your nearest Dynabrade distributor. We will work with you to solve all your application challenges, and fulfill all your dust collection needs!

Choose Dynabrade's Raptor Vac® systems for assurance that your source capture is at peak efficiency, following NFPA and ATEX requirements, and certified through independent testing.

***Breathe easy and work safe with Dynabrade!***



Ask about optional "Automatic On/Off" accessory, for use with Division 1 Pneumatic Vacuum Systems (pages 9, 11, 12, 13). Portable Vacuum starts automatically with startup of tool!

# Downdraft Sanding Tables

## Eliminate Airborne Dust and Contaminants While Sanding

Products on this page  
not available in Europe.

(See page 21 for  
European models.)

For Use with Non-Metallic Surfaces Only

### Standard Duty Tables

**Model 64201** Working Area of 33" W x 41" L

**Model 64699** Working Area of 33" W x 60" L

**Model 64700** Working Area of 36" W x 72" L

- Ideal for use with vacuum or non-vacuum tools.
- Dual filtration – accepts MERV 8 pleated paper filters, 20" W x 25" L. (Models 64201 and 64699 include two filters; model 64700 includes three.)
- Each model also includes one pre-filter blanket.
- Rhino Linings® coated tabletop surface is durable and anti-slip.
- 5" diameter casters allow easy maneuverability of table.
- Two handy storage compartments for tools and accessories.
- Two convenient dust-tight electric outlets.



### Heavy Duty Table

**Model 64657** Working Area of 48" W x 96" L

- Includes eight 20" x 25" paper filters (64658) and four 16" x 25" paper filters (64659).
- Dual filtration – pre-filter blanket and MERV 8 paper filters.
- Up to 70% more filter area than competitive brands.
- High quality reverse incline blowers. Heavy duty TEFC twin electric motors.
- Base unit is all-metal construction with CNC milled 3/4" MDF tabletop.
- Anti-static, anti-slip mat (64970) is included, and available separately. Optional 5" diameter casters also available.



Model Number	Motor hp	Volts/Hz	Phase	Air Flow	Current Amps	Working Area Width Inch (mm)	Working Area Length Inch (mm)	Height Inch (mm)	Shipping Weight Pound (kg)
64201	1	115/60	1	3,000 CFM	13	33 (838)	41 (1,041)	36 (914)	275 (125)
64699	1	115/60	1	3,000 CFM	13	33 (838)	60 (1,524)	36 (914)	285 (129)
64700	1	115/60	1	3,000 CFM	13	36 (914)	72 (1,829)	36 (914)	365 (166)
64657	1.5 (Dual)	115/60	1	7,000 CFM	15	48 (1,219)	96 (2,438)	37 (940)	970 (440)
64205	1	230/60	1	3,000 CFM	7	33 (838)	41 (1,041)	36 (914)	275 (125)
64206	1	230/60	1	3,000 CFM	7	33 (838)	60 (1,524)	36 (914)	285 (129)
64207	1	230/60	1	3,000 CFM	7	36 (914)	72 (1,829)	36 (914)	365 (166)
64208	1	230/60	3	3,000 CFM	4	33 (838)	41 (1,041)	36 (914)	275 (125)
64209	1	230/60	3	3,000 CFM	4	33 (838)	60 (1,524)	36 (914)	275 (125)
64210	1	230/60	3	3,000 CFM	4	36 (914)	72 (1,829)	36 (914)	365 (166)
63208	1	460/60	3	3,000 CFM	2	33 (838)	41 (1,041)	36 (914)	275 (125)
63209	1	460/60	3	3,000 CFM	2	33 (838)	60 (1,524)	36 (914)	285 (129)
63210	1	460/60	3	3,000 CFM	2	36 (914)	72 (1,829)	36 (914)	365 (166)
64493	1	220/50	1	3,000 CFM	13	33 (838)	41 (1,041)	36 (914)	275 (125)
64490	1	220/50	1	3,000 CFM	13	33 (838)	60 (1,524)	36 (914)	285 (129)
64492	1	220/50	1	3,000 CFM	13	36 (914)	72 (1,829)	36 (914)	365 (166)

Additional Specifications: Sound Level 72 dB(A); 64657 – 75 dB(A)



# European Downdraft Sanding Tables

Available in EUROPEAN COUNTRIES ONLY

*For Use with Non-Metallic Surfaces Only.  
Eliminates Airborne Dust and Contaminants While Sanding.*

## Standard Duty Tables

### Model 64202

Working Area of 84 cm x 104 cm (33" x 41")

### Model 64203

Working Area of 84 cm x 152 cm (33" x 60")

### Model 64204

Working Area of 91 cm x 183 cm (36" x 72")

- Eliminates airborne dust and contaminants while sanding.
- Easy to clean and a very mobile solution for all work areas.
- Ideal for using non-vacuum, central vacuum, or self-generated portable vacuum tools.
- Rhino Linings® coated tabletop surface is durable and anti-slip.
- Dual filtration system – accepts 1-micron pleated paper filters.



## Downdraft Table Accessory Pack

### Model 22070

- Option sold separately or already mounted on the Downdraft Table.
- The air manifold requires only one incoming airline and has 6 outgoing air plugs from the manifold, allowing up to 6 tools to be connected. No need to disconnect one tool in order to use a second tool, saving operation time.
- The Filter-Regulator-Lubricator (FRL) ensures that uncontaminated air is supplied to motors of pneumatic tools. Lubrication through the air supply reduces friction and wears in components of air motors.
- Includes On/Off air valve, 10681 Filter-Regulator-Lubricator, Air Manifold fitted with four 64689 1/4" air couplers, two 98270 3/8" air couplers, two 22057 vacuum ports, and all fittings and screws required for assembly.



## Downdraft Tables Mounted with Accessory Pack

### Model 64192 Working Area of 84 cm x 104 cm (33" x 41")

- Downdraft Table 64202 mounted with accessory pack Model 22070.

### Model 64193 Working Area of 84 cm x 152 cm (33" x 60")

- Downdraft Table 64203 mounted with accessory pack Model 22070.

### Model 64194 Working Area of 91 cm x 183 cm (36" x 72")

- Downdraft Table 64204 mounted with accessory pack Model 22070.

Accessory Pack  
Model 22070  
Mounted to 64194  
Downdraft Table



Model Number	Motor W	Volts/Hz	Phase	Vacuum Suction	Sound Level	Working Area Width	Working Area Length	Height	Standard Duty Shipping Weight*
64202/64192	550 W (.75 hp)	230/50	1	1900 CFM	72 dB(A)	84 cm (33")	104 cm (41")	91 cm (36")	120 kg (264.5 lb.)
64203/64193	550 W (.75 hp)	230/50	1	1900 CFM	72 dB(A)	84 cm (33")	152 cm (60")	91 cm (36")	130 kg (286.6 lb.)
64204/64194	550 W (.75 hp)	230/50	1	1900 CFM	72 dB(A)	91 cm (36")	183 cm (72")	91 cm (36")	150 kg (330.7 lb.)

\*Shipping weight of Tables with Accessory Pack: 64192 – 125.2 kg (276 lb.); 64193 – 135.2 kg (298 lb.); 64194 – 155.2 kg (342 lb.)

# Metal Capture Downdraft Table

## Capture Combustible Metal Grinding Particles in Water

Products on this page  
not available in Europe.

*Ideal for Capturing Aluminum or Titanium Dust.  
Utilized in Aircraft & Military Operations, Refineries, Foundries and More.*

### Meets These NFPA Requirements:

- Interlock Pneumatic Valve with Blower and Time-Delay. Tools operate only when Downdraft Table is running!
- Class II, Group E Explosion-Proof Motor
- Aluminum Top for Non-Spark Work Surface
- Non-Spark Aluminum Blower on Collector's Clean-Air Side
- Automatic Water Level Control
- Vented Sump (Main Tank)
- Low Voltage Control
- Lockable Fused Power Disconnect



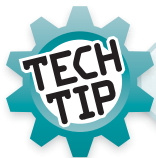
**WATCH  
Table  
at Work!**



### Features & Benefits:

#### Models 64400 – 64405

- Working area of 36" wide x 60" long accommodates large work pieces.
- Includes casters for easy maneuvering; casters also lock securely into place.
- Choice of models that direct exhaust down, up, or to the side.
- Overload protection / fused disconnect for safety.
- Sturdy 12-gauge construction.
- Includes shields for both sides and back of table.
- Work piece capacity / load rating of 2,000 pounds.
- 42 gallon capacity; 1,800 CFM at 4" static pressure.
- Easy system maintenance. No paper filters to replace!



Remove the back and side shields to allow use with oversized workpieces.

Model Number	Motor hp	Volts	Phase	Frequency	CFM	Exhaust Direction	Current Amps	Working Area Width Inch (mm)	Working Area Length Inch (mm)	Height Inch (mm)	Shipping Weight Pound (kg)
64400	3	230	3	60 Hz	1,800	Down	6	36 (914)	60 (1,524)	33 (838)	700 (318)
64402	3	230	3	60 Hz	1,800	Up	6	36 (914)	60 (1,524)	33 (838)	700 (318)
64404	3	230	3	60 Hz	1,800	Side	6	36 (914)	60 (1,524)	33 (838)	700 (318)
64401	3	460	3	60 Hz	1,800	Down	3.3	36 (914)	60 (1,524)	33 (838)	700 (318)
64403	3	460	3	60 Hz	1,800	Up	3.3	36 (914)	60 (1,524)	33 (838)	700 (318)
64405	3	460	3	60 Hz	1,800	Side	3.3	36 (914)	60 (1,524)	33 (838)	700 (318)

Additional Specifications: Sound Level 85 dB(A)

# Metal Capture Dwindraft Station

Entraps Combustible Filings & Dust in Air/Water Mixing Zone

Products on this page  
not available in Europe.

*Ideal for Capturing Aluminum or Titanium Dust.*

*Utilized for Aircraft Maintenance, Medical Implants, Foundries and More.*

## Meets These NFPA Requirements:

- Interlock Pneumatic Valve with Blower and Time-Delay. Tools operate only when Dwindraft Table is running!
- Class II, Group E Explosion-Proof Motor
- Aluminum Top for Non-Spark Work Surface
- Non-Spark Aluminum Blower on Collector's Clean-Air Side
- Automatic Water Level Control
- Vented Sump (Main Tank)
- Low Voltage Control
- Lockable Fused Power Disconnect



**WATCH  
Station  
at Work!**



## Features & Benefits:

### Models 64300, 64304, 64350, 64354

- Greatly decreases potential flammability of work area, when removing material from volatile substances.
- Models 64300/64304 include working area 18" wide x 36" long.
- Models 64350/64354 include larger working area of 26" wide x 36" long.
- Unique "tabletop" design is available only from Dynabrade!
- Sturdy stainless steel construction, with powder coat finish.
- 25 gallon capacity; 1,000 CFM.
- Overload protection / fused disconnect for safety.
- Requires no tools to access internal compartment.
- Optional side shields are available.
- Easy system maintenance. No paper filters to replace!

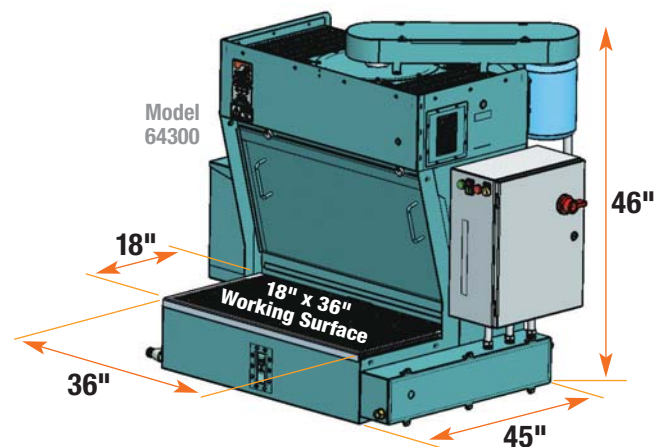
## Optional Accessories:

### 64331 Side Shield Kit

- Increases dust capture when disc grinding.

### 64330 Front & Side Shield Kit

- Includes clear panel to enclose work zone.



Model Number	Motor hp	Volts	Phase	Frequency	CFM	Current Amps	Sound Level	Working Area (W x L) Inch (mm)	Shipping Weight Pound (kg)
64300	1	230	3	60 Hz	1,000	3	85 dB(A)	18 x 36 (457 x 914)	461 (209)
64350	1	230	3	60 Hz	1,000	3	85 dB(A)	26 x 36 (660 x 914)	518 (235)
64304	1	460	3	60 Hz	1,000	1.5	85 dB(A)	18 x 36 (457 x 914)	461 (209)
64354	1	460	3	60 Hz	1,000	1.5	85 dB(A)	26 x 36 (660 x 914)	518 (235)



# Warning Tag

## 96615 Aluminum Warning Tag

- To be installed on vacuum tools used on aluminum workpieces
- Signals that tool is NOT to be transferred to other work areas
- Easily installs by inserting air inlet through warning tag hole
- Helps enhance workplace safety!



# Dust Collection Bags

## Including Discontinued Dynabrade Portable Vacuum Systems



Part No.	Description	For Use With
50690	1-2 Micron (100/case)	95575 Bag 'n Box System and 54288 Bag 'n Box System
50693	1-2 Micron (24/pkg.)	95575 Bag 'n Box System and 54288 Bag 'n Box System
64682	5 Micron (10/pkg.)	Discontinued Models 61300, 61302, 61304, 61306 and 61308
80076	5 Micron (10/pkg.)	Discontinued Models 61301, 61303, 61305, 61307 and 61309
62004	5 Micron (12/pkg.)	Discontinued Model 61500

# Discover The Dynabrade Difference!

Established in 1969, **Dynabrade, Inc.** is recognized as the **global leader** in the design and manufacturing of high-quality **Portable Abrasive Power Tools**. Utilized in every corner of the world, **Dynabrade** tools continually meet and exceed the needs of countless industries, by offering **The Dynabrade Difference**:

- **“MADE IN USA” proudly displayed on every Industrial Air Tool!**
- **LIFETIME WARRANTY on Industrial Air Tools made in USA!**
- **SAME-DAY or NEXT-DAY Shipping on most USA Orders!**
- **FREE ON-SITE Demonstrations by Application EXPERTS!**
- **SYSTEMS Approach for Complete Solutions!**
- **All of the above, PLUS:**
  - Unmatched Marketing Materials
  - Personal, Professional Customer Service
  - Complete Service & Repair Program



**For More Tools and Related Accessories, Visit: [Dynabrade.com](http://Dynabrade.com)**



DYNABRADE.COM

### DYNABRADE, INC.

8989 Sheridan Drive • Clarence, New York 14031-1419  
 Phone: 716-631-0100 • US Fax: 716-631-2073 • International Fax: 716-631-2524  
**US Consumers Call Toll-Free: 1-800-828-7333**  
**Canadian Consumers Call Toll-Free: 1-800-344-1488**

### DYNABRADE EUROPE S.à r.l.

Zone Artisanale Op Tomm 6 • L-5485 Wormeldange-Haut, Luxembourg  
 Phone: +352 768 494 1 • Fax: +352 768 495

### DYNABRADE INDIA ABRASIVE POWER TOOLS Pvt Ltd.

EL-54, TTC Industrial Area, M.I.D.C. Mahape • Electronic Zone, Navi Mumbai - 400705  
 Maharashtra, India • Phone: +91 22 2763 2226 • Fax: +91 22 2763 2228

**US Consumer Toll-Free Number: 1-888-DYNABRADE**

DISTRIBUTED BY: