



Dynabrade Tools for The Aerospace Industry

Innovative Solutions with The Dynabrade Difference!



DYNABRADE TOOLS FOR THE AEROSPACE INDUSTRY

Dynabrade Inc., the worldwide leader in abrasive power tool technology, presents an incredible variety of pneumatic tools for use in the aerospace industry. Providing countless application solutions, these top-quality tools reduce production time as they improve your final product! At every workstation in your facility, there is a need to “Discover the Dynabrade Difference!”



See Page 4

The smallest member of Dynabrade's amazing **Abrasive Belt Tool** line, **Mini-Dynaflex® II** is an essential choice for aircraft repair facilities. Tool accepts coated abrasive belts, ideal for cutting down hard-to-reach rivet backs or heads. Also accepts non-woven nylon belts for removing corrosion or paint, with no damage to skin or air frame. Many contact arms are offered to suit specific applications.



See Page 6

Turbine-Driven Pencil Grinder offers precision deburring and finishing on a variety of surfaces. Extension model (shown) provides 1-1/4" (32 mm) of extended reach, into openings as small as 3/8" diameter. Tool provides enough power to cut rivets down. Available in a variety of speeds, this tool has extremely low run-out for delicate work, and is a pleasure to use.



See Page 7

Every aircraft technician must have a **Dynabrade Die Grinder** in his or her arsenal! Models offered in angle-head, straight-line, 7° offset and right angle configurations, which each include 1/4" and 6 mm collets. Air motors are available of .4 hp, .5 hp, .7 hp and 1 hp. These tools may be utilized for grinding, flattening, blending, general maintenance and much more.



See Page 8

Dynabrade offers the world's most popular **Right Angle Disc Sander** for aircraft repair! 12,000 RPM, .4 hp air motor is perfect for removing corrosion and paint without damaging sensitive aircraft materials. This is a high-torque tool that will not create heat checks or stress points, without sacrificing stock removal speed. Various speeds and configurations available.



Visit Dynabrade.com, in **NINE Languages!**





See Page 9

Dynastraight® Finishing Tool effectively removes corrosion, paint, oxidation and contaminants without removing parent material! Tool accepts abrasive belts on inflatable pneumatic wheels, or surface conditioning discs (as shown). Discs are designed for non-loading of paint. High-torque, slow-speed motor is available in various speeds.



See Page 9

Ergonomically designed **Pistol Grip Drill** is ideal for multiple purposes on aircraft. Tool features a powerful high-torque motor, with textured tactile grip for optimum comfort. May be configured with standard drill bits, or "pancake" drill attachment as shown here. Models offered in speeds from 500 RPM to 20,000 RPM. A "must have" tool for aircraft technicians!



See Page 10

Dynabug® II is a lightweight "jitter-bug" type orbital sander, which accepts sanding pads of various shapes and sizes. This is ideal for sanding in hard-to-reach areas, and into 90° corners. 3/32" (2.5 mm) orbit allows operator to finesse-sand and feather-sand.



See Page 10

Dynafine® Detail Sander is shown with hook-face sanding pad in unique tear-drop shape, perfect for sanding in hard-to-reach areas. Tool features a 1/32" (0.8 mm) orbital action for superior finishes. Accepts many additional sanding pad shapes. No need to hand-sand when you have this tool!



See Page 11

Dynabrade Rotary Buffer is perfect for leading edge polishing. Offering a strong .7 hp, 2,500 RPM air motor, this popular tool weighs less than five pounds and will outlast electric buffers! 5/8"-11 male spindle accepts optional backup pads and polishing buffs, from 6" to 8" (152 mm to 302 mm) in diameter. Choose among several styles and speeds.



See Page 11

Cut-Off Wheel Tool is utilized to trim, shape and cut honeycomb for composite panels and on other materials. Also utilized for cutting out corrosion repair in fuselage skin. Available in many motors, speeds and configurations, in non-vacuum and vacuum models (shown).



Abrasive Belt Tools



“The Original” Dynafile®

.5 hp, 20,000 RPM • For 24" (610 mm) Long Belts

- World-famous Dynafile® replaces tedious hand filing and sanding. Grind, deburr, blend, polish, finish and more!
- Grind from contact wheel or platen pad. Finish and polish using slack of belt.
- Tool includes 11218 Contact Arm for 1/2" wide x 24" long belts (13 mm x 610 mm). Also accepts a variety of additional Contact Arms.



Model 14000



WATCH Tool at Work!

Dynafile® II

.5 hp, 20,000 RPM • For 18" (457 mm) Long Belts

- Lightweight, ergonomic 7° offset design. Grinding head pivots 360° for securing in most efficient position.
- Belt guard easily detaches for quick abrasive change; simple belt tracking adjustment knob.
- Includes 11206 Contact Arm for 3/4" wide x 18" long belts (19 mm x 457 mm).



Model 40320

Mini-Dynafile® II

.4 hp, 25,000 RPM • For 12" (305 mm) Long Belts

- Tool includes 15026 Contact Arm for 1/2" wide x 12" long abrasive belts (13 mm x 305 mm), and 15118 Drive Wheel.
- 40378 Rubber Drive Wheel may be ordered separately, for efficient use with optional non-woven nylon belts.



Model 15003

Dynafile® III

.7 hp, 20,000 RPM • For 18" (457 mm) Long Belts

- Offers all the versatility of the Dynafile® II, while serving up more power for faster material removal.
- Tool includes high-efficiency Rubber Drive Wheel, ideal for use with all abrasive belts.
- Includes 15350 Contact Arm for 1" wide x 18" long belts (25 mm x 457 mm).



Model 15300

APPLICATIONS

Manufacturing

- Finishing of turbine blades
- Turbine radius work
- Blending and finishing of small blades and parts
- Blending of inner curves
- Deburring of aerotubes
- Removal of weld residue
- Large burr removal
- Cast finishing
- Inlet hole deburring

Maintenance & Repair

- Blade repair
- Impellor repair and blending
- Vane repair
- Refurbishing of brake rotors
- Grinding and leveling welds
- Engine repair
- Surface conditioning under lap joints
- Repair of landing gear
- Corrosion removal in hydraulic pipe joints
- Cutting down hard-to-reach rivet backs or heads



For full information on Abrasive Belt Tools, order our General Catalog, or visit Dynabrade.com



Random Orbital Sanders



Dynorbital® Supreme

Achieves Famous “Swirl-Free Finish” on Surface

- Runs at 12,000 RPM and includes premium urethane sanding pad.
- Diameters of 3-1/2", 5", 6" (89 mm, 127 mm, 152 mm).
- Choice of three orbits for aggressive, general or ultra-fine sanding.
- Non-Vacuum, Self-Generated Vacuum and Central Vacuum configurations, in palm-style or two-hand models.
- Vacuum models include larger exhaust port to provide better capture of hazardous dust.



Model 56819

Dynorbital® Silver Supreme

Combines Supreme Power with Lightweight Comfort

- All-steel components, ergonomic grip, enhanced vacuum capabilities.
- Runs at 12,000 RPM and includes premium urethane sanding pad.
- Diameters of 3", 3-1/2", 5", 6" (76 mm, 89 mm, 127 mm, 152 mm).
- Choice of three orbits for aggressive, general or ultra-fine sanding.
- Non-Vacuum, Self-Generated Vacuum and Central Vacuum configurations, in palm-style or two-hand models.
- Vacuum models include larger exhaust port to provide better capture of hazardous dust.



Model 69024



WATCH Tool at Work!

Dynorbital-Spirit®

Lightweight Design Ideal for Vertical & Contoured Surfaces

- Runs at 12,000 RPM and includes premium urethane sanding pad.
- Diameters of 3", 3-1/2", 5", 6" (76 mm, 89 mm, 127 mm, 152 mm).
- Choice of three orbits for aggressive, general or ultra-fine sanding.
- Non-Vacuum, Self-Generated Vacuum and Central Vacuum configurations, in palm-style or two-hand models.
- Vacuum models include larger exhaust port to provide better capture of hazardous dust.



Model 59024

Non-Vacuum and Vacuum Models Available!

For full information on Random Orbital Sanders, order our General Catalog, or visit Dynabrade.com

APPLICATIONS

Manufacturing

- Sanding airplane skins
- Polishing windows and windshields
- Finishing on titanium, aluminum, stainless steel, composite materials
- Paint preparation and finishing of fuselage
- Sanding and finishing various parts
- Various applications in paint shop
- Enhance coating adhesion on surfaces
- Scuffing before coating of urethane, epoxy or paint

Maintenance & Repair

- Window glass repair and polishing
- Stripping and painting operations
- Curved sidewalls of windows
- Ring refurbishing
- Removal of oxide
- Removing scratches and handling marks
- Removing paint on engine cowling, stabilizers and nose





Pencil Grinders



Turbine-Driven Models

Ideal for Precision Deburring and Finishing

- Speeds of 35,000, 50,000, 60,000 and 100,000 RPM.
- Standard models include 1/8" collet. Selected models include collet of 1/16", 3/32", 3 mm or 6 mm.
- Accepts optional carbide burrs and mounted points.
- Selected models available in extended design, or with ceramic bearings. Models with mount stem also available, for use with robotic arms.
- Choose from Non-Vacuum and Vacuum models.



WATCH Tool at Work!



Model 51700

Turbine-Driven Quick-Change Models

Precision Deburring in Time-Saving Design

- Speeds of 35,000 and 60,000 RPM.
- Accepts optional carbide burrs and mounted points.
- Convenient lever opens collet insert for quick changing of accessory.
- High-efficiency turbine-driven air motor has no wearable gears, vanes or blades.
- Offered with 1/8" collet or 3/32" collet.



Model 60052

Variable Speed Models

One Touch Starts Tool at Desired Speed

- Adjust speed from 35,000 to 60,000 RPM.
- Desired speed stays set as tool is turned off and on.
- Accepts optional carbide burrs and mounted points.
- Precision bearings ensure longer tool life.
- Offered with 1/8" collet or 3/32" collet.



Model 52850

APPLICATIONS

Manufacturing

- Blending on turbine blades, honeycomb rings and impellers
- Blending and finishing of small parts
- Deburring welds on aero tubes
- Quick removal of weld residue with carbide burrs
- Deburring welds on inconel welds and on titanium

Maintenance & Repair

- Work on metallic fluid hoses and cold plates
- Work on cooling systems and leading mesh edge of ice protection systems
- Refurbishing of inner fan case, and removal of residue



For full information on Pencil Grinders, order our General Catalog, or visit Dynabrade.com



Die Grinders



.4 hp (298 W) Die Grinders

Angle-Head • Straight-Line • 7° Offset • Right Angle

- Available in speeds from 950 RPM to 35,000 RPM.
- Front and rear exhaust models offered.
- All models include 1/4" and 6 mm Collets.
- Choose from Non-Vacuum and Vacuum models.



.5 hp (373 W) Die Grinders

Straight-Line • 7° Offset • Right Angle

- Available in speeds from 15,000 RPM to 24,000 RPM.
- Front and rear exhaust models offered.
- All models include 1/4" and 6 mm Collets.
- Extension and steel housing models also available.
- Choose from Non-Vacuum and Vacuum models.
- Steel housing models offered, for increased durability.



.7 hp (522 W) Die Grinders

Straight-Line • 7° Offset • Right Angle

- Available in speeds from 950 RPM to 20,000 RPM.
- Front and rear exhaust models offered.
- All models include 1/4" and 6 mm Collets.
- Extension and steel housing models also available.
- Choose from Non-Vacuum and Vacuum models.
- Steel housing models offered, for increased durability.



1 hp (746 W) Die Grinders

Straight-Line

- Available in speeds from 950 RPM to 20,000 RPM.
- Front and rear exhaust models offered.
- Extension models also available.
- All models include 1/4" and 6 mm Collets.
- Choose from Non-Vacuum and Vacuum models.



Non-Vacuum and Vacuum Models Available!

For full information on Die Grinders, order our General Catalog, or visit Dynabrade.com

APPLICATIONS

Manufacturing

- Blending and flattening on wide blades; grinding and blending on wide blades after welding
- Grinding on titanium parts
- Removing residue on dice block surface
- Grinding and finishing of turbine blades

Maintenance & Repair

- Deburring on honeycomb ring
- Refurbishing of inner fan case
- Blending parting lines on cast turbine blades
- Removal of machine blemishes, mill marks on airframe parts
- Maintenance on stainless steel, inconel, nickel alloys, titanium
- Removal of handling marks, light and heavy scratches
- Maintenance on wing ribs, thrust reverse fan compressors
- Landing gear assembly, heat exchangers, cooling systems
- General work in metal shop and composite materials shop
- Corrosion removal in rivet areas, fuel tank, landing gear
- Aluminum castings, high-temperature alloys
- Exfoliation removal





Disc Sanders



2" (51 mm) Dia. Disc Sanders

Angle-Head • 7° Offset • Right Angle

- Speeds available from 3,200 RPM to 25,000 RPM.
- .33 hp, .4 hp and .5 hp air motors (246 W, 298 W, 373 W).
- Front and rear exhaust models offered.
- Choose from Non-Vacuum and Vacuum models.



Model 48503

3" (76 mm) Dia. Disc Sanders

7° Offset • Right Angle

- Speeds available from 12,000 RPM to 20,000 RPM.
- .4 hp, .55 hp and .7 hp air motors (298 W, 410 W, 522 W).
- Front and rear exhaust models offered.
- Choose from Non-Vacuum and Vacuum models.
- Steel housing models offered, for increased durability.



Model 52412

4", 4-1/2", 5" (102 mm, 114 mm, 127 mm) Dia. Disc Sanders

Pistol Grip • 7° Offset • Right Angle • Vertical

- Speeds available from 8,000 RPM to 15,000 RPM.
- Front and rear exhaust models offered.
- .55 hp, .7 hp, 1.2 hp and 1.3 hp air motors (410 W, 522 W, 895 W, 970 W).
- Choose from Non-Vacuum and Vacuum models.
- Steel housing models offered, for increased durability.



Model 52634



WATCH Tool at Work!

7" (178 mm) Dia. Disc Sanders

Right Angle • Vertical

- Speeds available from 6,000 RPM to 8,500 RPM.
- Large diameter sands more area in less time!
- 1 hp, 1.3 hp, 2 hp and 3 hp air motors (746 W, 970 W, 1,492 W, 2,238 W).
- Choose from Non-Vacuum and Vacuum models.



Model 52657

APPLICATIONS

Manufacturing

- Sanding of fan and compressor structures and case
- Sanding of turbine, combustors and sandwich structures
- Sanding of rings, ducts and low pressure turbine cases
- Finishing on doors and bulkheads
- General sealant removal
- Scuffing before coating of urethane, epoxy or paint
- Blending in tight pockets

Maintenance & Repair

- Various applications in Composite Material Shop
- General use in Engine Repair
- Sanding of landing gear
- Cleaning of seat tracks
- Removal of light and heavy scratches, handling marks
- Sanding of entry and cargo doors



For full information on Disc Sanders, order our General Catalog, or visit Dynabrade.com



Dynastraight® & Drills



Dynastraight®

Air-Powered Finishing Tool

Ideal for Grinding, Cleaning and Polishing

- Variety of models accept optional surface conditioning wheels, flap wheels, or pneumatic wheels with abrasive belts.
- Available in speeds from 950 RPM to 18,000 RPM.
- .4 hp, .5 hp, .7 hp and 1 hp air motors (298 W, 373 W, 522 W, 746 W).



WATCH Tool at Work!



Surface Conditioning Discs and Pneumatic Wheels Sold Separately.

APPLICATIONS

Maintenance & Repair

- Finishing of turbine blades
- Cleaning of landing gear
- Removal of defects, scratches, handling marks
- General corrosion removal



Industrial Quality Drills

**Pistol Grip • Angle-Head • 7° Offset
Right Angle • Straight-Line**

- Wide variety of motor speeds and configurations.
- .4 hp, .5 hp, .7 hp and 1 hp air motors (298 W, 373 W, 522 W, 746 W).
- Choose from Non-Vacuum and Vacuum models.
- Accept standard drill bits and “pancake” drill attachment.



For full information on Dynastraight® Tools & Drills, order our General Catalog, or visit Dynabrade.com

APPLICATIONS

Manufacturing

- General assembly
- General use in Metal Shop
- Drilling on landing gear

Maintenance & Repair

- Engine repair
- Drilling out rivets





Gear-Driven & Finishing Sanders

Dynabug® & Dynabug® II

“Jitter-Bug” Type Orbital Sanders

- Precise orbital motion achieves controlled, ultra-fine finish.
- Non-Vacuum, Self-Generated Vacuum and Central Vacuum models available.
- Dynabug® models include heavy-duty clips to accept traditional 3-2/3" x 9" (93 mm x 229 mm) abrasive sheets.
- Dynabug® II models accepts a variety of smaller abrasive sheets, for sanding in tight areas, 90° corners and odd angles.



WATCH Tool at Work!



Dynabug®
Model 57814



Dynabug® II
Model 58503

Dynafine® Detail Sander

Air-Powered Finishing Sander

Excellent for Use in Tight Corners

- Features 1/32" (0.8 mm) orbital action for superior finishes without damaging substrate.
- Includes backup pads in tear-drop and triangular shapes, and accepts optional round backup pad.
- Non-Vacuum, Self-Generated Vacuum and Central Vacuum models available.
- Handle is offset 7° for enhanced operator comfort.



WATCH Tool at Work!



Model
58017

For full information on Gear-Driven & Finishing Sanders, order our General Catalog, or visit Dynabrade.com

APPLICATIONS

Manufacturing

- Removal of oxide
- Scuffing before coating of urethane, epoxy or paint
- Removal of milling marks after machining
- Provide uniform matte finish of machined surfaces
- Sanding on struts, spars and ribs
- Featheredging, sanding and blending



APPLICATIONS

Manufacturing

- General work in composite materials shop
- Sanding of fiberglass surfaces prior to painting
- Scuffing before coating of urethane, epoxy or paint





Cutting & Buffing Tools



Cut-Off Wheel Tools

Efficient Cutting in Variety of Configurations

Cut Honeycomb, Sheet Metal, Frame Rails, Clamps & Bolts

- Models offered to accept optional cutting wheels in diameters of 3", 4", 4-1/2" and 5" (76 mm, 102 mm, 114 mm, 127 mm).
- Non-vacuum and vacuum models available.
- Straight-line, right angle and 7° offset models.



Cut-Off Wheels sold separately.

Buffing Tools

For Quick and Easy Spot Repair

Achieve Fine Finish on Variety of Surfaces

- Offered in wide variety of speeds and tool configurations.
- Choose from buffing diameters of 3", 5", 6" and 8" (76 mm, 127 mm, 152 mm, 203 mm).
- Tools may accept optional wool bonnets and flat foam buffing pads.
- Ideal for use on plastics, fiberglass, composites and other materials.



WATCH Tool at Work!



Backup Pad and Polishing Pad sold separately.

For full information on Cutting Tools & Buffers, order our General Catalog, or visit Dynabrade.com

APPLICATIONS

Maintenance & Repair

- ▶ Cutting in Composite Material Shop
- ▶ Cutting of fiberglass and aerospace alloys
- ▶ Cutting of honeycomb, sheet metal and frame rails
- ▶ Cutting of tabs, clamps and rods



APPLICATIONS

Maintenance & Repair

- ▶ Buffing and polishing wing leading edge to mirror finish.
- ▶ Buffing and polishing of window glass scratches and defects
- ▶ Buffing after repair of dust nibs and "orange peel"





Trim Routers

Power and Performance, with Ergonomic Comfort

- Offered with air motors of .4 hp, .7 hp and 1 hp (298 W, 522 W, 746 W), in speeds of 20,000 RPM and 30,000 RPM.
- Ideal for trim routing applications on surfaces such as carbon fiber, composites, laminates, more.
- Non-vacuum and vacuum models available.
- Replacement motors are also available.



Model 51854

RED-TRED® Eraser Disc Tools

Surface Preparation Tool

- Offered in straight-line, right angle and pistol grip configurations.
- Unique RED-TRED® Eraser Wheel has serrations for improved cooling and air flow.
- Versatility Kit available, which also includes Wire Wheels for removing seam sealer and paint.



WATCH Tool at Work!



Model 18258

Model 18069

For full information on Routers and RED-TRED® Tools, order our General Catalog, or visit Dynabrade.com

APPLICATIONS

Maintenance & Repair

- Used with jigs and tooling fixtures to make repeatable cuts with tight tolerances on complex shapes
- Utilized on materials such as carbon fiber, composite and aluminium skins



APPLICATIONS

Maintenance & Repair

- Excellent for removing two-sided adhesive molding tape and decal material
- Removes material without damaging paint or original surface





Versatility Grinder



Electric Abrasive Belt Machine

Ideal for an Extensive Variety of Finishing Applications

- Versatility Grinder powers 72" abrasive belts in widths from 1/4" to 2", to provide a wide variety of finishing solutions.
- Ideal for use on castings and forgings, turbine blades, medical implants, investment castings and more.
- Sleek, compact design for easy space-saving set up.
- Combines linear tracking adjustment with conventional pivot tracking, for optimum belt tracking control.
- Adjustable air belt tensioning; pivoting arm assembly.
- Includes efficient through-housing vacuum port (optional Vacuum Scoop Assembly is available).

Includes 67212 Contact Arm, Ideal for Use on Turbine Blades & More!



Variable Speed Models

- Allows change of belt direction from forward to reverse.

Model 64900 600 - 4,000 SFPM, 115 V (AC)

Model 64901 600 - 4,000 SFPM, 230 V (AC)

Model 64902 2,000 - 8,000 SFPM, 230 V (AC)

Model 64903 2,000 - 8,000 SFPM, 460 V (AC)

Fixed Speed Models

- Forward direction only.

Model 64904 5,400 SFPM, 115 V (AC)

Model 64905 5,400 SFPM, 230 V (AC)

CE Variable Speed Model

- Allows change of belt direction from forward to reverse.

Model 64881 600 - 4,000 SFPM, 230 V (AC)

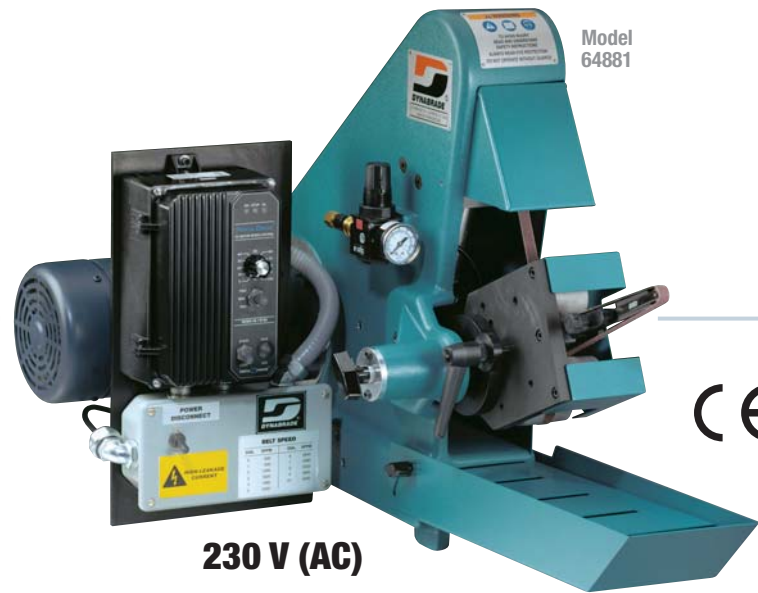
- This model carries the CE (European Conformity) mark, signifying that it complies with all essential requirements of relevant European health, safety and environmental protection legislation.

- Shown with optional Vacuum Scoop Assembly.



Model 64900

115 V (AC)



Model 64881

230 V (AC)



Model Number	Motor hp (W)	Abrasive Belt Size Inch (mm)	Max. SFPM (SM/Min)	Voltage	Phase	Frequency	Weight Pound (kg)	Length Inch (mm)	Height Inch (mm)
64881	1 (746)	1/4-2 (6-51) x 72 (1,829)	600-4,000 (183-1,219)	230	1	50 Hz	120 (55)	33 (838)	22 (559)
64900	1 (746)	1/4-2 (6-51) x 72 (1,829)	600-4,000 (183-1,219)	115	1	50/60 Hz	120 (55)	33 (838)	22 (559)
64901	1 (746)	1/4-2 (6-51) x 72 (1,829)	600-4,000 (183-1,219)	230	1	50/60 Hz	120 (55)	33 (838)	22 (559)
64902	3 (2,232)	1/4-2 (6-51) x 72 (1,829)	2,000-8,000 (610-2,438)	230	3	50/60 Hz	120 (55)	33 (838)	22 (559)
64903	3 (2,232)	1/4-2 (6-51) x 72 (1,829)	2,000-8,000 (610-2,438)	460	3	50/60 Hz	120 (55)	33 (838)	22 (559)
64904	1.5 (1,119)	1/4-2 (6-51) x 72 (1,829)	5,400 (1,647)	115	1	50/60 Hz	120 (55)	33 (838)	22 (559)
64905	1.5 (1,119)	1/4-2 (6-51) x 72 (1,829)	5,400 (1,647)	230	1	50/60 Hz	120 (55)	33 (838)	22 (559)



"Raptor Vac" Portable Vacuums

Aggressively Capture Workplace Dust & Debris
Electric & Pneumatic Units in Various Configurations



M-Class Models *Electric, 120 V (60 Hz)*

- Two systems available: Non-Conductive Polycarbonate (left), and Conductive Stainless Steel.
- Variety of electrical configurations offered, for worldwide use.
- Connects to optional Vacuum Cart. See page 15 for details.

Model 61400



Model 61401



Model 61430 *Electric*

- Division 2, 120 V (60 Hz)

Model 61431 *Electric*

- ATEX Cat. 3 for Zone 22, 230 V (50 Hz)

Model 61430



Model 61440



Model 61440 *Pneumatic*

- Division 2

Model 61441 *Pneumatic*

- ATEX Cat. 3 for Zones 2 & 22

Model 61450 *Electric*

- Division 1, 120 V (50/60 Hz)

Model 61451 *Electric*

- ATEX Cat. 2 for Zones 1 & 21, 230 V (50/60 Hz)

Model 61450



Model 61465 *Pneumatic*

- Division 1

Model 61466 *Pneumatic*

- ATEX Cat. 2 for Zones 1 & 21

Model 61465



Model 61461 *Electric*

- Division 1 Immersion Separator, 120 V (50/60 Hz)

Model 61462 *Electric*

- ATEX Cat. 2 for Zones 1 & 21 Immersion Separator, 230 V (50/60 Hz)

Model 61461



Model 61463 *Pneumatic*

- Division 1 Immersion Separator

Model 61464 *Pneumatic*

- ATEX Cat. 2 for Zones 1 & 21 Immersion Separator

Model 61463



Ideal for collecting aluminum, magnesium and titanium dust!

Ideal for collecting aluminum, magnesium and titanium dust!

See Next Page for Additional Vacuum Systems!



Additional Vacuum Systems

NEW!

“Raptor Vac” Backpack Style Portable Vacuum *Pneumatic*

- Lightweight unit includes backpack harness for great portability!
- Ideal in tight areas where larger vacuum would be cumbersome.



61472 – North America • 61473 – Europe

“Raptor Vac” Wall-Mount Style Portable Vacuum *Pneumatic*

- Includes brackets for mounting to workplace wall or to Vacuum Cart (as shown).
- Excellent choice for smaller individual work cells!



61470 – North America • 61471 – Europe

Vacuum/Accessory Cart

- Portable Vacuum locks into Cart.
- Accepts M-Class Vacuums (page 14) or Wall-Mount Vacuum, sold separately.
- Cart includes lockable storage shelves, for tools, abrasives and hoses.



61483

61483 Cart with 61400 Vacuum

Downdraft Sanding Tables

Eliminate Airborne Dust and Contaminants While Sanding For Use with Non-Metallic Surfaces Only

Standard Duty Tables

Model 64201 Working Area of 33" W x 41" L

Model 64699 Working Area of 33" W x 60" L

Model 64700 Working Area of 36" W x 72" L

- Ideal for use with vacuum or non-vacuum tools.
- Dual filtration – accepts MERV 8 pleated paper filters, 20" W x 25" L. (Models 64201 and 64699 include two filters; model 64700 includes three.)
- Each model also includes one pre-filter blanket.
- Rhino Linings® coated tabletop surface is durable and anti-slip.
- 5" diameter casters allow easy maneuverability of table; two handy storage compartments for tools and accessories; two convenient dust-tight electric outlets.



Model 64700

(Arrows Indicate Air Flow)



Model 64657

(Arrows Indicate Air Flow)

Heavy Duty Table

Model 64657 Working Area of 48" W x 96" L

- Includes eight 20" x 25" paper filters (64658) and four 16" x 25" paper filters (64659).
- Dual filtration – pre-filter blanket and MERV 8 paper filters.
- Up to 70% more filter area than competitive brands.
- High quality reverse incline blowers. Heavy duty TEFC twin electric motors.
- Base unit is all-metal construction with CNC milled 3/4" MDF tabletop.
- Anti-static, anti-slip mat (64970) is included, and available separately. Optional 5" diameter casters also available.

Ask About Many Voltage Formats Available!



Metal Capture Downdraft Tables

Capture Combustible Metal Grinding Particles in Water

Ideal for Capturing Aluminum or Titanium Dust

Utilized in Aircraft & Military Operations, Refineries, Foundries, More

Meets These NFPA Requirements:

- Interlock Pneumatic Valve with Blower and Time-Delay. Tools operate only when Downdraft Table is running!
- Class II, Group E Explosion-Proof Motor
- Aluminum Top for Non-Spark Work Surface
- Non-Spark Aluminum Blower on Collector's Clean-Air Side
- Automatic Water Level Control
- Vented Sump (Main Tank)
- Low Voltage Control
- Lockable Fused Power Disconnect



WATCH Table at Work!



Features & Benefits:

Models 64400 – 64405

- Working area of 36" wide x 60" long accommodates large work pieces.
- Includes casters for easy maneuvering; casters also lock securely into place.
- Choice of models that direct exhaust down, up, or to the side.
- Overload protection / fused disconnect for safety.
- Sturdy 12-gauge construction.
- Includes shields for both sides and back of table.
- Work piece capacity / load rating of 2,000 pounds.
- 42 gallon capacity; 1,800 CFM at 4" static pressure.
- Easy system maintenance. No paper filters to replace!



CE certification is pending for European countries. Please contact us for availability.

Model Number	Motor hp	Volts	Phase	Frequency	CFM	Exhaust Direction	Current Amps	Working Area Width Inch (mm)	Working Area Length Inch (mm)	Height Inch (mm)	Shipping Weight Pound (kg)
64400	3	230	3	60 Hz	1,800	Down	6	36 (914)	60 (1,524)	33 (838)	700 (318)
64402	3	230	3	60 Hz	1,800	Up	6	36 (914)	60 (1,524)	33 (838)	700 (318)
64404	3	230	3	60 Hz	1,800	Side	6	36 (914)	60 (1,524)	33 (838)	700 (318)
64401	3	460	3	60 Hz	1,800	Down	3.3	36 (914)	60 (1,524)	33 (838)	700 (318)
64403	3	460	3	60 Hz	1,800	Up	3.3	36 (914)	60 (1,524)	33 (838)	700 (318)
64405	3	460	3	60 Hz	1,800	Side	3.3	36 (914)	60 (1,524)	33 (838)	700 (318)

Additional Specifications: Sound Level 85 dB(A)



Metal Capture Downdraft Stations

Entraps Combustible Filings & Dust in Air/Water Mixing Zone

Ideal for Capturing Aluminum or Titanium Dust

Utilized for Aircraft Maintenance, Medical Implants, Foundries, More

Meets These NFPA Requirements:

- Interlock Pneumatic Valve with Blower and Time-Delay. Tools operate only when Downdraft Table is running!
- Class II, Group E Explosion-Proof Motor
- Aluminum Top for Non-Spark Work Surface
- Non-Spark Aluminum Blower on Collector's Clean-Air Side
- Automatic Water Level Control
- Vented Sump (Main Tank)
- Low Voltage Control
- Lockable Fused Power Disconnect



WATCH Station at Work!

Features & Benefits:

Models 64300, 64304, 64350, 64354

- Greatly decreases potential flammability of work area, when removing material from volatile substances.
- Models 64300/64304 include working area 18" wide x 36" long.
- Models 64350/64354 include larger working area of 26" wide x 36" long.
- Unique "tabletop" design is available only from Dynabrade!
- Sturdy stainless steel construction, with powder coat finish.
- 25 gallon capacity; 1,000 CFM.
- Overload protection / fused disconnect for safety.
- Requires no tools to access internal compartment.
- Optional side shields are available.
- Easy system maintenance. No paper filters to replace!

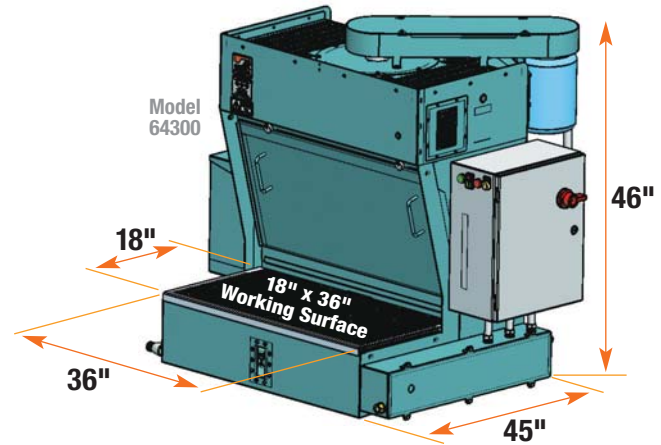
Optional Accessories:

64331 Side Shield Kit

- Increases dust capture when disc grinding.

64330 Front & Side Shield Kit

- Includes clear panel to enclose work zone.



CE certification is pending for European countries. Please contact us for availability.

Model Number	Motor hp	Volts	Phase	Frequency	CFM	Current Amps	Sound Level	Working Area (W x L) Inch (mm)	Shipping Weight Pound (kg)
64300	1	230	3	60 Hz	1,000	3	85 dB(A)	18 x 36 (457 x 914)	461 (209)
64350	1	230	3	60 Hz	1,000	3	85 dB(A)	26 x 36 (660 x 914)	518 (235)
64304	1	460	3	60 Hz	1,000	1.5	85 dB(A)	18 x 36 (457 x 914)	461 (209)
64354	1	460	3	60 Hz	1,000	1.5	85 dB(A)	26 x 36 (660 x 914)	518 (235)



Dynaswivel® Air Line Connectors

THE PROBLEM



THE SOLUTION



- The Dynaswivel® is a “universal-joint” that connects portable air tools to an air line.
- It improves tool maneuverability, minimizes operator fatigue and extends hose life.
- Patented; works great on air tools or paint guns.

Non-Marring Composite Construction

Double Pivot

- Swivels 360° AT TWO PIVOT POINTS allowing the air hose to drop directly to the floor while providing superb tool handling.

Double Pivot, Flow Control

- Swivels 360° AT TWO PIVOT POINTS allowing the air hose to drop directly to the floor while providing superb tool handling.
- Fingertip air-flow control dial.

Display Pak (96177)

- Includes countertop display box and ten 94300 Dynaswivel® Connectors.

94300



94407

Part Number	Thread Size	Flow Control	Air Flow Range SCFM (L/Min)	Weight oz. (kg)
94300*	1/4" NPT	No	up to 33 (935)	2.15 (.06)
94407**	1/4" NPT	Yes	up to 46 (1,303)	2.40 (.08)

*USA Government National Stock Number 4730012932930

**USA Government National Stock Number 4730015023159

Aluminum and Stainless Steel Construction

Single Pivot

- Right angle “single-pivot” swivels 360° at one location.
- Designed to permit air hose to extend horizontally away from tool while allowing 360° tool maneuverability.
- Great for stationary equipment.



95590

Part Number	Thread Size	Air Flow Range SCFM (L/Min)	Weight lb. (kg)
95590	1/4" NPT	up to 25 (708)	0.11 (0.05)
95591	3/8" NPT	26-45 (736-1,275)	0.26 (0.12)
95592	1/2" NPT	46-65 (1,303-1,841)	0.46 (0.21)

Aluminum and Stainless Steel Construction

Double Pivot

- Swivels 360° AT TWO PIVOT POINTS allowing the air hose to drop directly to the floor while providing superb tool handling.



95460

Double Pivot, Flow Control

- Swivels 360° AT TWO PIVOT POINTS allowing the air hose to drop directly to the floor while providing superb tool handling.
- Finger-tip air-flow control dial.



95734

Part Number	Thread Size	Flow Control	Air Flow Range SCFM (L/Min)	Weight lb. (kg)
95852	1/8" Male x 25 1/4" NPT Female	No	up to 25 (708)	0.18 (0.08)
95460*	1/4" NPT	No	up to 25 (708)	0.20 (0.09)
95734	1/4" NPT	Yes	up to 25 (708)	0.24 (0.11)
95461	3/8" NPT	No	26-45 (736-1,275)	0.40 (0.18)
95462	1/2" NPT	No	46-65 (1,303-1,841)	0.80 (0.36)
95690	3/4" NPT	No	above 65 (1,840)	1.50 (0.68)

Ball-Swivel Plug

Part No. 97016

Plug “swivels” for great tool maneuverability!

- 97016 Ball-Swivel Plug offers 53° conical range of motion, for added tool maneuverability and operator comfort.
- A natural fit with Dynabrade palm-style Random Orbital Sanders!
- Ported plug design allows air flow of up to 74 SCFM (2,095 L/Min).
- Maximum air pressure of 90 PSIG (6.2 Bar).





DynaJet In-Line Blow Gun

Clean Off Work Surfaces Without Disconnecting

Part No. 94467 Safety Tip Design

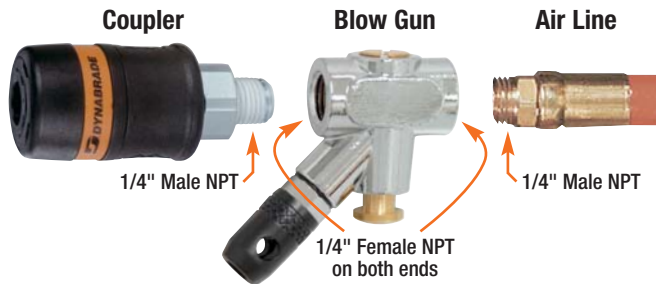
- Only connect once... permanently mounts between coupler and air hose to purge air line of water and contaminants before starting up air tools.
- Durable aluminum construction, weighs only 2 oz. (0.06 kg).
- Reduces line pressure down to 30 PSIG (2 Bar).
- Meets O.S.H.A. requirements of special relief hole in nozzle, which limits pressure to 30 PSIG (2 Bar) when dead-ended and used on an air line of 150 PSIG (10.3 Bar) or less.



Part Number	Thread Size	Weight	Recommended Air Flow Range SCFM (L/Min)
94467	1/4" Female NPT	0.06 kg	up to 35 SCFM (991 L/Min)

10.3 Bar (150 PSIG) maximum

Proper Installation for DynaJet Blow Gun Connection



Safety Couplers

Provide Maximum Air Flow to Tools

- Unique "Two Step" Safety Disconnect System releases air pressure before tool is disconnected.
- Engineered to minimize air leakage and eliminates "hose whip."
- Conforms to ISO 4414 standard, and these specifications: 7.2/7.4 European full flow profile.



97566



97567

Coupler Body Size	Part Number	Thread Size NPT	Air Flow Range SCFM (L/Min)
1/4"	97566	1/4" Female	Up to 55 (1,558)
	97567	1/4" Male	

Filter-Regulator-Lubricator

Cost-Effective Maintenance for Air Supply Systems

Filter-Regulator-Lubricator

Part No. 10681 1/2" NPT

- Unit has modular connections with mounting brackets for easy installation.



Filter-Regulator

Part No. 10677 1/2" NPT

- Unit has modular connections with mounting brackets for easy installation.



Regulator-Lubricator

Part No. 10679 1/2" NPT

- Unit has modular connections with mounting brackets for easy installation.



Filter

Part No. 10671 1/2" NPT

- Five-micron filter element is standard.
- Manual push-button drain easily discharges contaminants.



Regulator

Part No. 10673 1/2" NPT

- Compensation built into unit responds faster to changes in incoming pressure and flow.
- Built-in PSI pressure dial gauge.



Lubricator

Part No. 10675 1/2" NPT

- Built-in check valve permits tool to be filled with oil without having to turn off air pressure.
- Adjustable oil drop to meter amount of oil into air system.



FRL Flow Characteristics

Air Flow SCFM (L/Min)	Pressure Drop Across FRL PSI (Bar)
15 (425)	2.0 (.14)
30 (850)	3.0 (.21)
45 (1,274)	6.0 (.41)
60 (1,699)	7.0 (.48)
75 (2,124)	8.0 (.55)

Additional Specifications: Maximum Operating Pressure 145 PSIG.

Each unit includes two bushings for easy conversion to 3/8" NPT.

Discover The Dynabrade Difference

We Are Your Source For High-Quality, American-Made Power Tools!



Dynabrade is EASY to do business with – we work with you, from marketing, to customer service, to shipping, to sales, to RESULTS!

Sales Support

- Factory-trained experts on tools, air systems, accessories and abrasives.
- “System & Solutions” Approach: sales personnel outfitted with tools, accessories and abrasives for on-the-spot demonstrations.

Cost Savings

- Let us analyze your air system with our Performance Assurance Kits.
- “Same Day/Next Day” shipping on most USA orders.
- USA Flat Rate Repair Program offers quick repairs by factory-trained experts.

Training

- On-site tool training clinics to educate your personnel.
- USA Mobile Training Units bring products directly to the workplace.

Web Support

- Demonstration videos will show you how!
- Complete catalog and sales literature library.

Customer Service Support

- Talk with a trained customer service representative.
- Discuss applications with an experienced technical support person.



DynaVan



Performance Assurance Kit



For More Tools and Related Accessories, Visit: Dynabrade.com



DYNABRADE.COM

DYNABRADE, INC.

8989 Sheridan Drive • Clarence, New York 14031-1419
Phone: 716-631-0100 • US Fax: 716-631-2073 • International Fax: 716-631-2524
US Consumers Call Toll-Free: 1-800-828-7333
Canadian Consumers Call Toll-Free: 1-800-344-1488

DYNABRADE EUROPE S.à r.l.

Zone Artisanale Op Tomm 6 • L-5485 Wormeldange-Haut, Luxembourg
Phone: +352 768 494 1 • Fax: +352 768 495

DYNABRADE INDIA ABRASIVE POWER TOOLS Pvt Ltd.

EL-54, TTC Industrial Area, M.I.D.C. Mahape • Electronic Zone, Navi Mumbai - 400705
Maharashtra, India • Phone: +91 22 2763 2226 • Fax: +91 22 2763 2228

US Consumer Toll-Free Number: 1-888-DYNABRADE

DISTRIBUTED BY: