

# Dynabrade Tools for the Marine Industry

High-Quality Tools for Marine Manufacturing and Repair



# DYNABRADE TOOLS FOR



**59039 Dynorbital-Spirit™ Random Orbital Sander** moves abrasive disc in a small orbit of 3/32" (2 mm). This is ideal for patch repair on gel coat and clear coat, as the tight sanding pattern leaves a finish that can be perfectly buffed in just one more step. Dynorbital-Spirit™ is also great for removing "print-through" patterns in fiberglass. Dynabrade durability means the Dynorbital-Spirit™ will last longer than other brands, and when repair is needed, our unique "Drop-In Motor" puts the tool back to work in minutes!



**50321 Pistol-Grip Disc Sander** easily removes excess fiberglass. This tool is also used for scuff sanding on the boat's resin surface, preparing it for proper adhesion of buoyancy foam.



**58000 Dynafine™ "Backsplash" Sander** comes with 3/8" (10 mm) radius sanding pad, ideal for reaching into corners, grooves and convex areas. Utilized for finesse sanding, gel coat touch-up and general spot repair – a useful tool for every marine facility!



**52438 Vacuum Diamond Cut-Off Wheel Tool** powers 5" (127 mm) diameter diamond cut-off wheels (sold separately), to aggressively cut through thick fiberglass over-wrap and fiber spray. Unique vacuum guard diverts dust and debris to optional vacuum source.

# THE MARINE INDUSTRY

*Review our incredible array of Random Orbital Sanders, Disc Sanders, Cut-Off Tools, Buffers and more. Whether you are trimming thick excess fiberglass or removing a tiny dust nib, Dynabrade has the right tool for the job. At every workstation in your facility, there is a need for the efficiency and excellence of Dynabrade!*



**51459 Dynabrade Buffer** is utilized for effective buffing and final finishing. Running at the optimum speed of 2,500 RPM means this buffer is actually polishing out scratches - NOT melting them into the surface, as faster buffers often do. Run our slow-speed, high torque buffer with a foam or wool buff (sold separately) for a quick and efficient finishing system!



**53143 Right Angle Drill** serves up the power (1 hp / 746 W) to run optional diamond hole saws, for quick punch-out of holes on dashboard templates, and for creating other openings.



**15300 Dynaflex**® III abrasive belt tool is run with 15375 Contact Arm, which allows finishing and polishing with the slack of the belt. Ideal for use on rough edges of trimmed pieces. The tool also accepts a wide range of additional contact arms, to suit many other applications.



**58041 Gear-Driven Sander** offers massive 11" (279 mm) diameter work area, perfect for "fairing" and sanding on molds or plugs. Covers MORE area in LESS time, easily leveling large surfaces prior to achieving mirror finish. 11" diameter Random Orbital Sander is also available!



# Dynorbital-Spirit™ Random Orbital Sander

## ERGONOMIC GRIP

The shape of the housing conforms to operator's hand for proper wrist position required for greater operator comfort and control.

## COMPOSITE LEVER

Insulates cold. When the palm-conformed lever is activated, it becomes recessed into the housing thus eliminating a "pinch point" on the sensitive area of the palm.

## LESS VIBRATION

Composite base has integrated full-rubber over-mold creating a non-slip insulated feel.

## LOW SOUND LEVELS

New muffling system reduces sound levels to as low as 75 dB(A). Easy to replace muffler inserts.

## PERFECTLY BALANCED PAD

**The Best in the Industry!**  
Perfectly-balanced weight-mated pad: the ultimate in swirl-free finishes!

- 3-1/2" (89 mm) – 80 grams
- 5" (127 mm) – 100 grams
- 6" (152 mm) – 130 grams

## ONE-PIECE SPEED CONTROL DIAL

Standard on all models. Adjustable side dial maintains user desired speed: variable 4,000 - 12,000 RPM.

## DOUBLE ROW BALANCER BEARING

New and innovative bearing seals protect high-quality bearings from sanding residue and reduce bearing temperature for longer bearing life.

## CUSTOM-ENGINEERED CYLINDER

Custom-engineered, high-strength cylinder provides longer life for less maintenance.

## LIP-SEAL SHROUD

Correct spacing between shroud and pad allows for the most efficient operation of the tool on the work surface. Protects operator from moving sanding pad and enhances dust collection on vacuum models.

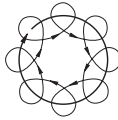
*Patented with patents pending.*

## Color-Coded Levers Quickly Identify your Choice of Three Different Orbits

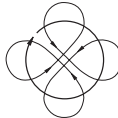
- Black lever identifies 3/32" (2,5 mm) dia. orbit, used for ultra-fine sanding.



- Grey lever identifies 3/16" (5 mm) dia. orbit, used for general sanding.



- Blue lever identifies 3/8" (10 mm) dia. orbit, used for aggressive sanding.



## Low Profile Design

- Only 3-1/2" (89 mm) high. Improves control, provides greater operator visibility, allows pad to be used flat on the work surface for better finishes.

## Less Weight

- Non-vacuum model weighs just 22 ounces (1.4 lbs/0.64 kg), lighter than any other comparable sander.

## Drop-In Motor

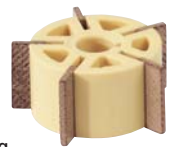
- Less repair tools needed to repair and maintain the tool.
- Quick in-house repair lessens downtime.
- Average repair time now less than five minutes.

**EASILY REPLACEABLE!**



## More Power

- True 12,000 RPM air motor has more power. The floating rotor utilizes five blades producing more usable power (.25 hp/186 W). High-strength, composite rotor is stronger and has better lubricating qualities allowing the blades to wear longer. As a result, less air (16 SCFM/453 LPM) is used more efficiently to maintain maximum power.



## Identification Marking

- Easy to read model number and serial number markings located on the side of the tool.



# Dynorbital-Spirit™ Random Orbital Sander

## The Lightest Tool on the Market Today!

- Ideal for achieving a swirl-free finish on paint and other surfaces.
- Incorporates the latest engineering and manufacturing technology to create the lightest sander on the market today. Non-vacuum model weighs just 22 ounces (1.4 lbs./0.64 kg). This makes the Dynorbital-Spirit™ ideal for all vertical applications.

## Innovative Bearing Seals

- Innovative “V-Seal” bearing seal (patent pending) protects balancer shaft bearing from sanding residue for longer life.
- Unique “top hat” seal protects front motor bearing from sanding residue. Also holds in bearing lubrication while keeping out other contaminants.

## Non-Vacuum

- Includes low profile, premium urethane, weight-mated sanding pad.
- Optional vacuum conversion kits available to easily convert non-vacuum tool to self-generated vacuum tool for connection to a self-contained dust collection system. Can also be converted to connect to a standard central vacuum system.

Pad Diameter Inch (mm)	3/8" (10 mm) Orbit Models (Pad)	3/16" (5 mm) Orbit Models (Pad)	3/32" (2.5 mm) Orbit Models (Pad)
3 (76 mm)	59100 (56084)	59105 (56084)	59110 (56084)
3-1/2 (89 mm)	59000 (56098)	59015 (56098)	59030 (56098)
5 (127 mm)	59005 (56106)	59020 (56106)	59035 (56106)
6 (152 mm)	59010 (56107)	59025 (56107)	59040 (56107)

## Vacuum-Ready

- Includes low profile, premium urethane, weight mated sanding pad.
- Ready for connection to optional, portable self-contained dust collection systems (50617 shown, with optional airline).

Pad Diameter Inch (mm)	3/8" (10 mm) Orbit Models (Pad)	3/16" (5 mm) Orbit Models (Pad)	3/32" (2.5 mm) Orbit Models (Pad)
3 (76 mm)	59103 (56084)	59108 (56084)	59113 (56084)
3-1/2 (89 mm)	59003 (56098)	59018 (56098)	59033 (56098)
5 (127 mm)	59008 (56104)	59023 (56104)	59038 (56104)
6 (152 mm)	59013 (56105)	59028 (56105)	59043 (56105)

## Central Vacuum Only

- Includes low profile, premium urethane, weight mated sanding pad.
- Has 1" (25 mm) dia. vacuum port for easy central vacuum hook-up.

Pad Diameter Inch (mm)	3/8" (10 mm) Orbit Models (Pad)	3/16" (5 mm) Orbit Models (Pad)	3/32" (2.5 mm) Orbit Models (Pad)
3 (76 mm)	59104 (56084)	59109 (56084)	59114 (56084)
3-1/2 (89 mm)	59004 (56098)	59019 (56098)	59034 (56098)
5 (127 mm)	59009 (56104)	59024 (56104)	59039 (56104)
6 (152 mm)	59014 (56105)	59029 (56105)	59044 (56105)



Dynorbital-Spirit™ is perfect for patch repair on gel coat and clear coat. Also great for removing “print through” patterns on fiberglass.

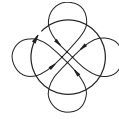


Model Number	Motor hp	Motor RPM	Sound Level	Air Flow Rate CFM/SCFM	Air Pressure PSIG	Air Inlet Thread	Hose Size	Spindle Thread	Weight Pound (kg)	Length Inch (mm)	Height Inch (mm)
All Models	.25	12,000	75 dB(A)	2/16	90	1/4" NPT	1/4"	5/16"-24 female	1.4-1.6 (.6-.7)	6-9 (152-229)	3-1/2 (89)

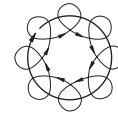
# Two-Hand Dynorbital® Sander

## Air Powered Random Orbital Sander

- Utilized for heavy removal of diamond non-slip pattern.
- Long handle provides excellent comfort and control, especially when working on vertical sides of workpiece.
- Composite tool housing and handle create non-slip feel and reduce cold air transmission to operator.
- All models feature our premium weight-mated PSA sanding pad. Hook-face pads also available. Adjustable speed control.



**3/8" (10 mm) Orbit**  
for Aggressive Sanding

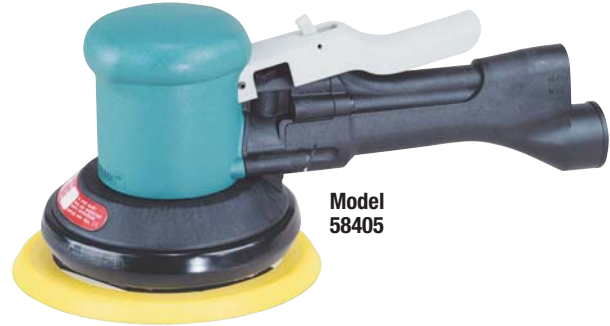


**(3/16") 5 mm Orbit**  
for Swirl-Free Finishes

## Non-Vacuum

- 5" and 6" models are 12,000 RPM. Pads have 5/16"-24 male spindle.
- 8" models are 10,000 RPM. Pads mount with 5 screws.

Pad Diameter Inch (mm)	3/16" (5 mm) Orbit Models (Pad)	3/8" (10 mm) Orbit Models (Pad)
5 (127)	58400 (56106)	58415 (56106)
6 (152)	58405 (56107)	58418 (56107)
8 (203)	58410 (56234)	N/A



**Model  
58405**

## Vacuum-Ready

- Self-generated vacuum-ready models are ready for connection to optional portable dust collection systems (50617 shown, with optional airline).
- Models can also be connected to standard central vacuum systems.
- Vacuum port accepts 1-1/4" (32 mm) diameter hose cuff for increased vacuum flow (no overskirt shroud is included).

Pad Diameter Inch (mm)	3/16" (5 mm) Orbit Models (Pad)	3/8" (10 mm) Orbit Models (Pad)
5 (127)	58401 (56104)	58416 (56104)
6 (152)	58406 (56105)	58419 (56105)
8 (203)	58411 (56235)	N/A



**Model  
58406**

## Central Vacuum Only

- Ready for hook-up to standard central vacuum systems.
- All models include combination lip seal/overskirt shroud, which offers enhanced vacuum capability and greater workpiece visibility.

Pad Diameter Inch (mm)	3/16" (5 mm) Orbit Models (Pad)	3/8" (10 mm) Orbit Models (Pad)
6 (152)	58409 (56105)	58420 (56105)
8 (203)	58414 (56235)	N/A



**Model  
58414**

**NOTE:** For 3/8" dia. orbit model specifications refer to corresponding 3/16" dia. orbit models

Model Number	Motor hp (W)	Motor RPM	Orbit Dia. Inch (mm)	Pad Dia. Inch (mm)	Sound Level	Maximum Air Flow CFM/SCFM (LPM)	Hose I.D. Size Inch (mm)	Air Inlet Thread	Weight Pound (kg)	Length Inch (mm)	Height Inch (mm)
58400	.45 (336)	12,000	3/16 (5)	5 (127)	81 dB(A)	3/23 (651)	1/4 (6)	1/4" NPT	2.5 (1.2)	11-1/16 (280)	4-15/16 (126)
58401	.45 (336)	12,000	3/16 (5)	5 (127)	84 dB(A)	3/23 (651)	1/4 (6)	1/4" NPT	2.5 (1.1)	11-1/16 (280)	4-15/16 (126)
58405	.45 (336)	12,000	3/16 (5)	6 (152)	81 dB(A)	3/23 (651)	1/4 (6)	1/4" NPT	2.6 (1.2)	11-3/8 (288)	4-15/16 (126)
58406	.45 (336)	12,000	3/16 (5)	6 (152)	83 dB(A)	3/23 (651)	1/4 (6)	1/4" NPT	2.5 (1.2)	11-3/8 (288)	4-15/16 (126)
58409	.45 (336)	12,000	3/16 (5)	6 (152)	83 dB(A)	3/23 (651)	1/4 (6)	1/4" NPT	2.7 (1.2)	11-3/8 (288)	4-15/16 (126)
58410	.45 (336)	10,000	3/16 (5)	8 (203)	81 dB(A)	3/23 (651)	1/4 (6)	1/4" NPT	4.0 (1.8)	12-1/2 (319)	5-5/8 (142)
58411	.45 (336)	10,000	3/16 (5)	8 (203)	85 dB(A)	3/23 (651)	1/4 (6)	1/4" NPT	4.0 (1.8)	12-1/2 (319)	5-5/8 (142)
58414	.45 (336)	10,000	3/16 (5)	8 (203)	84 dB(A)	3/23 (651)	1/4 (6)	1/4" NPT	4.2 (1.9)	12-1/2 (319)	5-5/8 (142)

Additional Specifications: Air Pressure 90 PSIG (6.2 Bar) • Thread 5/16"-24 Female • 8" models mount with 8 screws  
Recommended Air Line Accessory: For Best Performance use 95676 Coupler/Plug Assembly

# 11" (279 mm) Random Orbital Sander

## Air Powered Random Orbital Sander

- Extra large 11" (279 mm) diameter sanding pad covers the largest work area of any Dynabrade tool.
- 3/4" (19 mm) diameter random orbital action assures swirl-free finish on variety of surfaces.
- High-quality 2,400 RPM air motor offers power and efficiency.
- Dynabrade's unique balancer assembly (patent pending) minimizes vibration and enables operator to run tool for longer periods; helps minimize work-related injuries.
- Tool includes hook-face sanding pad, weight-mated for reduced vibration.



Model 58480

## Non-Vacuum

### Model 58480

- Includes 11" (279 mm) hook-face sanding pad (56231), for use with non-vacuum hook-face abrasives.

## Vacuum-Ready

### Model 58485

- For connection to portable vacuum (optional) or central vacuum system.
- Includes 11" (279 mm) hook-face sanding pad (56231), for use with "O" style hook-face abrasives.
- Vacuum shroud offers enhanced vacuum capability. Shroud has vacuum port for 1-1/4" (32 mm) diameter hose cuff, allowing increased air flow.



Model 58485

Model Number	Non-Vac	Vac	Motor hp (W)	Motor RPM	Orbit Dia. Inch (mm)	Pad Dia. Inch (mm)	Maximum Air Flow CFM/SCFM (LPM)	Weight Pound (kg)	Length Inch (mm)	Height Inch (mm)
58480	✓		.7 (522)	2,400	3/4 (19)	11 (279)	3/27 (765)	9.1 (4.1)	17 (432)	6 (152)
58485		✓	.7 (522)	2,400	3/4 (19)	11 (279)	3/27 (765)	9.1 (4.1)	17 (432)	6 (152)

Additional Specifications: Air Pressure 90 PSIG (6.2 Bar) • 5/8"-11 Male Spindle • Hose I.D. 3/8" (10 mm) • Air Inlet Thread 1/4" NPT

# Electric Dynorbital® Sander

## Electric Random Orbital Sander

### Central Vacuum-Ready

- Double-insulated electric motor with 8 ft. cord connects to standard 120-volt outlet. Tool is available in the USA only.
- All models include a vacuum shroud that becomes operational when vinyl-face, vacuum-style pad (included) is mounted.
- Has 1" (25 mm) dia. vacuum port for easy central vacuum hose hook-up.
- Repositionable side handle for left or right hand operation.



Model 59302

Pad Diameter Inch (mm)	3/16" (5 mm) Orbit Models (Pad)	3/8" (10 mm) Orbit Models (Pad)
5 (127 mm)	59304 (56104)	59302 (56104)
6 (152 mm)	59305 (56105)	59303 (56105)

Model Number	Motor hp (W)	Motor RPM	Pad Diameter Inch (mm)	Voltage	Current	Phase	Frequency	Weight Pound (kg)	Length Inch (mm)	Height Inch (mm)
59302-59305	1 (744)	12,000	5/6 (127/152)	120 V (AC)	5 Amps	1	60 Hz	4.9 (2.2)	11-3/4 (298)	4-1/2 (114)

Additional Specifications: Hose Size 3/8" (10 mm) • Tool Thread 5/16"-24 Male

# Mini-Dynorbital® Sander

## Excellent for Use on Clear Coat and Gel Coat

- 1-1/4" dia. discs quickly remove dust nibs.
- Combined orbital and random action provides ultra-smooth finishes.
- Accepts 3/4" and 1-1/4" diameter sanding pads.
- Used with Dynabuffer (page 14) as part of Dynabrade's famous "Two-Step" finishing system.

### Model 57500 5,000 RPM

- Includes 54034 Sanding Head (accepts 3" and smaller dia. sanding pads with 1/4"-20 female thread).

### Model 57503 5,000 RPM      Model 57502 7,500 RPM

- Includes 54035 Sanding Head (accepts 3" and smaller dia. sanding pads with male locking-type threads such as 3M Roloc).



Model Number	Motor hp (W)	Motor RPM	Orbit Dia. Inch (mm)	Pad Dia. Inch (mm)	Sound Level	Maximum Air Flow CFM/SCFM (LPM)	Hose I.D. Size Inch (mm)	Air Inlet Thread	Weight Pound (kg)	Length Inch (mm)	Height Inch (mm)
57500	.05 (37)	5,000	3/16 (5)	3/4 (19), 1-1/4 (32)	70 dB(A)	1/6 (170)	1/4 (6)	1/4" NPT	1.7 (0.8)	5 (127)	3-5/8 (92)
57502	.05 (37)	7,500	3/16 (5)	3/4 (19), 1-1/4 (32)	70 dB(A)	1/6 (170)	1/4 (6)	1/4" NPT	1.7 (0.8)	5 (127)	3-5/8 (92)
57503	.05 (37)	5,000	3/16 (5)	3/4 (19), 1-1/4 (32)	70 dB(A)	1/6 (170)	1/4 (6)	1/4" NPT	1.7 (0.8)	5 (127)	3-5/8 (92)

Additional Specifications: Air Pressure 90 PSIG (6.2 Bar) • Tool Thread 1/4"-20 Male

Note: For Model 57500, the sanding head mounts to tool's 1/4"-28 female thread exposing 1/4"-20 male thread to accept pad

# DynaLocke™ Dual Action Sander

## Rotary Disc Sander & Random Orbital Sander in One!

### Non-Vacuum

- Very lightweight with ultra-smooth sanding performance.
- Ideal for paint stripping and blending.
- Recessed switch allows easy change from rotary to random orbital action with the turn of a dial.



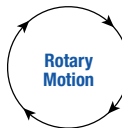
### Vacuum-Ready

- Self-generated vacuum-ready models are ready for connection to portable dust collection systems (optional).
- Models can also be connected to standard central vacuum systems.
- Vacuum port accepts 1-1/4" diameter hose cuff for increased vacuum flow (no overskirt shroud is included).
- Designed to vacuum in random orbital mode only.

Pad Diameter Inch (mm)	Non-Vacuum Models (Pad)	Vacuum-Ready Models (Pad)
3 (76)	58460 (56084)	58461 (56084)
3-1/2 (89)	58465 (56098)	58466 (56098)
5 (127)	58430 (56106)	58431 (56104)
6 (152)	58435 (56107)	58436 (56105)

### Disc Sander

Rotary Motion for Stripping & Blending!



### Random Orbital Sander

To Achieve Swirl-Free Finishes!



Pad Diameter Inch (mm)	Motor hp (W)	Motor RPM	Sound Level	Maximum Air Flow CFM/SCFM (LPM)	Hose I.D. Size Inch (mm)	Air Inlet Thread	Tool Thread (Female)	Weight Pound (kg)	Length Inch (mm)	Height Inch (mm)
3 (76)	.45 (336)	12,000	82 dB(A)	3/23 (651)	1/4 (6)	1/4" NPT	5/16"-24	2.35 (1.0)	10-5/16 (263)	5-3/8 (137)
3-1/2 (89)	.45 (336)	12,000	82 dB(A)	3/23 (651)	1/4 (6)	1/4" NPT	5/16"-24	2.35 (1.0)	10-5/16 (263)	5-3/8 (137)
5 (127)	.45 (336)	12,000	82 dB(A)	3/23 (651)	1/4 (6)	1/4" NPT	5/16"-24	2.7 (1.2)	11-1/16 (280)	5-1/8 (131)
6 (152)	.45 (336)	12,000	85 dB(A)	3/23 (651)	1/4 (6)	1/4" NPT	5/16"-24	2.8 (1.3)	11-1/2 (293)	5-1/8 (131)

Additional Specifications: Air Pressure 90 PSIG (6.2 Bar)



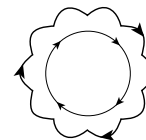
# Two-Hand Gear-Driven Sander

## Air Powered Gear-Driven Sander

### Levels Body Filler Fast

- Ideal for “fairing” and sanding on molds and plugs.
- Long handle provides excellent comfort and control, especially when working on vertical sides of vessels.
- Adjustable speed control.
- Composite housing reduces weight and protects against cold air transmission to operator’s hands.
- Includes low-profile premium urethane weight-mated sanding pad for PSA discs. Hook-face pads available.

Model 58441



Unique epicycloidal sanding action generates torque-enhanced power for quick, efficient material removal

Pad Diameter Inch (mm)	Non-Vacuum Models (Pad)	Central Vacuum Models (Pad)
5 (127)	58441 (57760)	–
6 (152)	58442 (57762)	58443 (57763)
	–	58444 (57766)
8 (203)	58445 (56234)	58446 (56235)

Model Number	Motor hp (W)	Motor RPM	Pad Dia. Inch (mm)	Sound Level	Maximum Air Flow CFM/SCFM (LPM)	Hose I.D. Size Inch (mm)	Air Inlet Thread	Weight Pound (kg)	Length Inch (mm)	Height Inch (mm)
58441	.45 (336)	900	5 (127)	79 dB(A)	3/23 (651)	1/4 (6)	1/4" NPT	3.6 (1.7)	11-1/16 (281)	5-5/8 (143)
58442	.45 (336)	900	6 (152)	78 dB(A)	3/23 (651)	1/4 (6)	1/4" NPT	3.6 (1.7)	11-1/2 (293)	5-5/8 (143)
58443	.45 (336)	900	6 (152)	79 dB(A)	3/23 (651)	1/4 (6)	1/4" NPT	3.8 (1.7)	11-1/2 (293)	5-5/8 (143)
58444	.45 (336)	900	6 (152)	80 dB(A)	3/23 (651)	1/4 (6)	1/4" NPT	3.8 (1.7)	11-1/2 (293)	5-5/8 (143)
58445	.45 (336)	900	8 (203)	80 dB(A)	3/23 (651)	1/4 (6)	1/4" NPT	3.9 (1.8)	12-1/2 (319)	5-9/16 (142)
58446	.45 (336)	900	8 (203)	81 dB(A)	3/23 (651)	1/4 (6)	1/4" NPT	4.3 (2.0)	12-1/2 (319)	5-9/16 (142)

Additional Specifications: Air Pressure 90 PSIG (6.2 Bar)

# 11" (279 mm) Gear-Driven Sander

## Air Powered Gear-Driven Sander

- Ideal for “fairing” and sanding on molds and plugs.
- High-quality 950 RPM air motor offers power and efficiency.
- Extra large 11" (279 mm) diameter sanding pad covers the largest work area of any Dynabrade tool.

### Non-Vacuum

#### Model 58040

- Includes 11" (279 mm) hook-face sanding pad (56231), for use with non-vacuum hook-face abrasives.

### Vacuum-Ready

#### Model 58041

- Includes 11" (279 mm) hook-face sanding pad (56231), for use with “O” style hook-face abrasives.
- For connection to portable vacuum (optional) or central vacuum system.
- Vacuum shroud offers enhanced vacuum capability. Shroud has vacuum port for 1-1/4" (32 mm) diameter hose cuff, allowing increased air flow.



Model 58041

Model Number	Non-Vac	Vac	Motor hp (W)	Motor RPM	Orbit Motion	Pad Dia. Inch (mm)	Maximum Air Flow CFM/SCFM (LPM)	Weight Pound (kg)	Length Inch (mm)	Height Inch (mm)
58040	✓		.45 (336)	950	Epicycloidal	11 (279)	3/23 (651)	9.1 (4.1)	14-1/8 (359)	5-5/8 (143)
58041		✓	.45 (336)	950	Epicycloidal	11 (279)	3/23 (651)	9.1 (4.1)	14-1/8 (359)	5-5/8 (143)

Additional Specifications: Air Pressure 90 PSIG (6.2 Bar) • 5/8"-11 Male Spindle • Hose I.D. 1/4" (6 mm) • Air Inlet Thread 1/4" NPT

# Dynafile® II Abrasive Belt Tool

## .5 hp, Air Powered Abrasive Belt Tool

### For 18" Long Belts

#### Model 40320

- Used for finishing rough edges of trimmed pieces.
- Also ideal for use on stainless steel hand rails and propeller hubs.
- Lightweight, ergonomic 7° offset design. Grinding head pivots 360°.
- Grind off contact wheel or platen pad. Finish & polish using slack of belt.
- Includes 11206 Contact Arm for 3/4" wide x 18" long abrasive belts.



#### Model 40321 Versatility Kit

- Includes Dynafile® II; three contact arms; 1/4" collet for die grinder use; eight abrasive belts and durable carrying case.

#### Model 40330 Vacuum Dynafile® II

- Excellent for use on plastic, fiberglass and exotic metals.
- Highly portable vacuum system works on tool's exhaust.
- Self-contained "bag-within-bag" dust collection system.
- Includes 11206 Contact Arm for 3/4" wide x 18" long abrasive belts.
- Air line is included and joined to exhaust hose to form "one cord" for superb maneuverability.



Model Number	Motor hp (W)	Motor RPM	Sound Level	Abrasive Belt Size Inch (mm)	Maximum Air Flow CFM/SCFM (LPM)	Max. SFPM (SMPM)	Weight Pound (kg)	Length Inch (mm)	Height Inch (mm)
40320	.5 (373)	20,000	80 dB(A)	1/4-3/4 (6-19) W x 18-24 (457-610) L	4/28 (793)	4,550 (1,382)	2.5 (1.1)	14-1/4 (362)	4-7/8 (124)
40330	.5 (373)	20,000	93 dB(A)	1/4-3/4 (6-19) W x 18-24 (457-610) L	4/28 (793)	4,550 (1,382)	2.5 (1.1)	14-1/4 (362)	5 (127)

Additional Specifications: Air Inlet Thread 1/4" NPT • Hose I.D. Size 3/8" (10 mm) • Air Pressure 90 PSIG (6.2 Bar)

Recommended Air Line Accessory: For Best Performance use 95676 Coupler/Plug Assembly

# Dynafile® III Abrasive Belt Tool

## .7 hp, Air Powered Abrasive Belt Tool

### For 18" Long Belts

#### Model 15300

- Tool is utilized for similar applications as the Dynafile® II, with even greater power!
- Grinding head pivots 180°.
- Includes 15350 Contact Arm for 1" wide x 18" long belts.

NOTE: Some Dynafile® III contact arms are reversible to allow for platen sanding or strap polishing.

#### Model 15302 Versatility Kit

- Includes Dynafile® III; three contact arms, abrasive belts, durable carrying case, spare Drive Wheel, assorted wrenches and hex keys.



Dynafile® III fitted with 15375 Contact Arm (sold separately) for finishing with slack of belt. This arm requires a 24" (610 mm) long belt.

Model Number	Motor hp (W)	Motor RPM	Sound Level	Abrasive Belt Size Inch (mm)	Maximum Air Flow CFM/SCFM (LPM)	Max. SFPM (SMPM)	Weight Pound (kg)	Length Inch (mm)	Height Inch (mm)
15300	.7 (522)	20,000	87 dB(A)	1/4-3/4 (6-19) W x 18-24 (457-610) L	4/32 (906)	4,550 (1,382)	2.5 (1.1)	14-1/4 (362)	4-7/8 (124)

Additional Specifications: Air Inlet Thread 1/4" NPT • Hose I.D. Size 3/8" (10 mm) • Air Pressure 90 PSIG (6.2 Bar)

Recommended Air Line Accessory: For Best Performance use 95676 Coupler/Plug Assembly

# DynaZip Surface Preparation Tool

## DynaZip Air Tool



### Model 18255

- Excellent power and torque for effectively removing seam sealer and paint in common and tight areas.
- Includes tool with side handle, wheel guard, hub assembly and 92245 (3/4") Coarse Wire Wheel. Wire wheels and hub assemblies are also available separately from Dynabrade. (See page 30.)
- Outperforms conventional spiral-wound wire wheels without clogging.
- Tool duplicates sand-blasting effect without surface fatigue and provides ultimate contour adaptation.



### 18257 DynaZip Deluxe Kit

- Includes tool with eraser wheel; 3/4" wheel hub assembly, medium and fine wire wheels; 1/2" wheel hub assembly, coarse and fine wire wheels.

## DynaZip-Eraser Decal Removal Tool

### Model 18258

- Excellent for removing two-sided adhesive molding tape or decal material.
- Includes tool with side handle, wheel guard and 92251 Decal Removal Wheel (which includes hub).
- Superior performance versus conventional "solid" or "doughnut-type" wheel erasers with no paint damage.
- Wheel has crepe teeth serrations for improved cooling effect air flow.
- Resists heat buildup and prevents "jumping" or vibrations.



### 18256 DynaZip Air Tool Kit

- Includes 18255 standard tool, 3/4" wheel hub assembly/coarse wire wheel; 1/2" wheel hub assembly/coarse wire wheel; 92250 Zip Eraser Wheel.

Model Number	Motor hp (W)	Motor RPM	Wheel Dia. Inch (mm)	Sound Level	Maximum Air Flow CFM/SCFM (LPM)	Air Inlet Thread	Weight Pound (kg)	Length Inch (mm)	Height Inch (mm)
18255/18258	.4 (298)	3,200	4 (102)	87 dB(A)	3/17 (510)	1/4" NPT	2.5 (1.1)	12 (305)	5-1/2 (140)

Additional Specifications: Air Pressure 90 PSIG (6.2 Bar) • Hose I.D. 3/8" (10 mm)

# Star Sander Kit

## Model 18251



### Uses Spindle-Mount Stars

- Scuff uneven surfaces in marine applications without damaging the profile. Variable-speed.
  - Lightly deburr on metal, fiberglass and other surfaces.
  - Sanding stars are pre-mounted – four on 1/4" spindle.
  - Tool includes air-flow control Dynaswivel® fitting (for maximum tool maneuverability and control) and an assortment of sanding stars.
  - Stars also available separately from Dynabrade.
- Includes three spindle-mount sanding stars (four stars on 1/4" spindle):
    - 80 grit (93166)
    - 120 grit (93167)
    - 150 grit (93168)



Model 18251

Model Number	Motor hp (W)	Motor RPM	Sound Level	Spindle Thread	Air Flow Rate CFM/SCFM (LPM)	Air Inlet Thread	Hose Size Inch (mm)	Air Pressure PSIG (Bar)	Weight Pound (kg)	Length Inch (mm)	Height Inch (mm)
18251	.3 (223)	3200	87 dB(A)	3/8"-24 Male	5/34 (963)	1/4" NPT	3/8 (10)	90 (6.2)	1.8 (1.1)	8 (203)	1-3/4 (44)

# Dynafine™ Sanders

## Dynafine™ “Backsplash” Sander

### Model 58000

- Includes 58021 (3/8" Radius) and 58024 (3/4" Reverse Radius) Backsplash Pads.
- Air motor features 1/32" diameter orbital action for a superior finish.
- Low profile housing for greater operator control to work in hard-to-reach areas. Handle is offset 7° for greater operator comfort and control.
- Includes 94407 Dynaswivel® with fingertip air-flow control dial.



### Model 58010 Versatility Kit

- Includes tool with five sanding pads and an assortment of PSA abrasives.
- Excellent for reaching into corners, grooves and convex areas.
- Used for finesse sanding, gel coat touch-up and spot repair.

## Dynafine™ Detail Sander

### Model 57900

- Features 1/32" dia. orbital action for a superior finish.
- Insulated composite handle is offset for operator comfort and may be adjusted for left or right-handed users.
- Many versatile applications:
  - Bevel edges of cut-outs; restoration work.
  - Reaches places conventional orbitals can't touch: around door jambs, handles, window sills, grooves, contours and hood cowl vent openings.
- Uses reattachable and PSA-mounted (pressure-sensitive adhesive), coated non-woven nylon and sponge abrasives.
- Includes triangular and tear-drop hook-face pads and non-marring composite Dynaswivel® flow-control speed regulator.

### 57910 Versatility Kit

- Includes tool with hook-face and PSA pads and an assortment of coated hook-face, non-woven nylon and sponge abrasives.

## Wet Dynafine™

### Model 57902

- “All-in-One” Misting System helps flush abrasive to achieve a consistent, repeatable finish.
- Gearless design means no right-angle gears to wear out – tool life is increased!
- Ergonomic 7° offset design for greater operator comfort and control.
- Low-vibration design allows operator to run tool for longer periods.
- Accepts 2" and 3" dia. sanding pads (vinyl or hook-face) for corresponding abrasive discs. One vinyl pad of each diameter is included with tool.
- Includes 3' water line with 95962 Male Quick Disconnect fitting.



Dynafine® “Backsplash” Sander with 58021 Radius Pad is perfect for reaching into rounded corners, grooves and convex areas. Also great for cleaning molds.



Model Number	Motor hp (W)	Motor RPM	Sound Level	Maximum Air Flow CFM/SCFM (LPM)	Hose I.D. Size Inch (mm)	Air Inlet Thread	Weight Pound (kg)	Length Inch (mm)	Height Inch (mm)
58000	.12 (89)	13,000	65 dB(A)	3/20 (566)	1/4 (6)	1/4" NPT	1.6 (.7)	9 (229)	3-3/4 (95)
57900	.12 (89)	13,000	65 dB(A)	3/20 (566)	1/4 (6)	1/4" NPT	1.6 (.7)	9 (229)	3-3/4 (95)
57902	.15 (112)	13,000	65 dB(A)	3/20 (566)	1/4 (6)	1/4" NPT	1.6 (0.7)	9 (229)	3-3/4 (95)

Additional Specifications: Air Pressure 90 PSIG (6.2 Bar)

# Dynaline Inline Board Sanders

## 8" Board Sander

- Ideal for areas where a conventional long board sander is too big.
- Tool has precision gear-set for smooth, controlled, unstoppable sanding power; always a consistent sanding stroke!
- All models accept 2-3/4" wide x 8" long abrasives. Abrasive rolls available from Dynabrade.

## Non-Vacuum

### Model 57400

- Pad can be set and locked to any 360° position.
- Includes 57454 Vinyl-Face Pad; other sizes also available.
- Reattachable abrasive sheets may be mounted with optional "short-nap" hook-face pad.



## Non-Vacuum Model with Clips

### Model 57407

- Includes 57490 Vinyl-Face Pad.



## Self-Generated Vacuum

### Model 57401

- Includes 57455 Vinyl-Face Sanding Pad with exhaust hose and reusable cloth bag.
- Tool creates its own vacuum; no external vacuum required. Not for use with central vacuum systems.

## Central Vacuum-Ready

### Model 57404

- Tool has 1" exhaust port ready to connect to your central vacuum system or shop vac.
- Includes 57455 Vinyl-Face Sanding Pad.
- Punch plates are available to convert abrasive to vacuum paper; see right.

## Versatility Kit

### Model 57405

- Includes 57400 Dynaline; 57852 Hook-Face Sanding Pad; medium and very fine grade abrasive impregnated, non-woven nylon sheets.

## 11" Board Sander

### Model 51350

- Insulated longer handle for added control and stability.
- Sanding pad may be rotated 360° and set and locked to any comfortable position.
- Includes 2-3/4" wide x 11" long, premium urethane PSA sanding pad with clips (57512). Other sizes available.

## Optional Accessories

### Punch Plate

#### Part Number 57476

- 98 mm x 178 mm Punch Plate for converting non-vac to vacuum paper.



### Specialty Pads

- Vinyl-face; accepts 70 mm wide x 203 mm long PSA abrasive sheets.

#### Part Number 57458

- Curved pad.



#### Part Number 57462

- Radiused pad.



Model Number	Motor hp (W)	Sound Level	Maximum Air Flow CFM/SCFM (LPM)	Hose I.D. Size Inch (mm)	Air Inlet Thread	Weight Pound (kg)	Length Inch (mm)	Height Inch (mm)
57400	.3 (186)	85 dB(A)	3/18 (510)	1/4 (6)	1/4" NPT	2.6 (1.2)	7 (178)	3-3/4 (95)
57401	.3 (186)	84 dB(A)	3/18 (510)	1/4 (6)	1/4" NPT	2.6 (1.2)	7 (178)	3-3/4 (95)
57404	.3 (186)	85 dB(A)	3/18 (510)	1/4 (6)	1/4" NPT	2.6 (1.2)	7 (178)	3-3/4 (95)
57407	.3 (186)	85 dB(A)	3/18 (510)	1/4 (6)	1/4" NPT	2.6 (1.2)	7 (178)	3-3/4 (95)
51350	.3 (186)	84 dB(A)	3/18 (510)	1/4 (6)	1/4" NPT	3.1 (1.4)	11 (279)	3-3/4 (95)

Additional Specifications: Air Pressure 90 PSIG (6.2 Bar)

## Angle-Head Buffer

**3" Diameter**

**Model 53440**

- 3,200 RPM, rear exhaust, lever throttle, conventional rotary action.
- Has 50120 Hook 'n Loop Pad, 3" dia. to mount bonnets.
- Pad has 1/4"-20 female thread with mounted 54021 Adapter (included).
- Includes 90027 Terry Cloth Bonnet and 90028 Wool Buffering Bonnet.



**Model 53440**

## Sander/Buffer Versatility Kit

**Model 53403**

- Includes: 3,200 RPM air tool, 54028 Random Orbital Sanding Head, two sanding pads, 50120 Hook 'n Loop Pad for bonnets, 54021 Adapter, wool and terry cloth bonnets, 95723 Finesse Sanding Creme, 95727 Dynabrade Glaze, assorted wrenches and sample abrasives.
- Note: Optional 54585 Side Handle Assembly available.



**Model 53403**

## Dynabuffer

- Features a 14 mm diameter offset orbit.
- Tools run at 10,000 RPM free speed.
- Patented balancer compensates for vibration when running under load resulting in a smooth operating performance. (Patent 6,206,771).
- Dynabuffer is used with Mini-Dynorbital® Sander (page 8) as part of Dynabrade's famous "Two-Step" finishing system.
- Ideal for use on molds and plugs.

**3" Diameter**

**Model 57126**

- Excellent for buffing out sanding scratches.
- Tool slows to 7,000 RPM when running under load.
- Throttle lever may be positioned for right or left hand operation.
- Includes 97166 Hanger Bracket and 56145 Backup Pad.



**Model 57126**

**5" Diameter**

**Model 57240**

- Tool slows to 5,000 RPM when running under load.
- Shown with optional 56195 Hook-Face Random Orbital Sanding Pad.
- Model 57245 is same tool with convenient hanger bracket included.



**Model 57240**

Model Number	Motor hp (W)	Motor RPM	Sound Level	Maximum Air Flow CFM/SCFM (LPM)	Hose I.D. Size Inch (mm)	Air Pressure PSIG (Bar)	Tool Thread	Weight Pound (kg)	Length Inch (mm)	Height Inch (mm)
53440	.4 (298)	3,200	83 dB(A)	3/23 (651)	1/4 (6)	1/4" NPT	1/4"-20 Female	1.9 (.9)	11-3/8 (289)	2-3/4 (70)
57126	.16 (119)	7,000	74 dB(A)	3/20 (566)	3/8 (10)	80 (5.5)	5/16"-24 Female	2.0 (0.9)	8-1/4 (210)	3-1/8 (80)
57240	.36 (270)	5,000	79 dB(A)	3/20 (566)	3/8 (10)	90 (6.2)	5/16"-24 Female	2.7 (1.2)	10-1/4 (260)	4-1/2 (114)

Additional Specifications: Air Pressure 90 PSIG (6.2 Bar) Air Inlet Thread 1/4" NPT

## Right Angle Buffer

### 5"-8" Diameter

#### Model 51459

- 0-2500 RPM free speed. Uses 5" to 8" (127 mm - 203 mm) diameter buffs.
- Insulated handle absorbs vibration and reduces cold air transmission to the operator. Compact and lightweight design.
- Rear exhaust, variable speed safety-lock lever throttle.
- Soft-grip handle can be positioned for right or left hand operation.
- Back-up pad and polishing bonnet not included.



Model 51459

## Random Orbital Buffer

### 8" Diameter

#### Model 51445 Available in 2005

- Moves buffing pad in random orbital motion, leaving no haze, halo or swirl marks. The result is a beautiful finish, buffed in less time than ever before!
- 2,400 RPM air motor.
- Accepts 8" (203 mm) diameter buffing pads and bonnets (sold separately).
- 3/4" (19 mm) random orbital motion.



Model 51445

Model Number	Motor hp (W)	Motor RPM	Pad Dia. Inch (mm)	Sound Level	Maximum Air Flow CFM/SCFM (LPM)	Hose I.D. Size Inch (mm)	Air Inlet Thread	Tool Thread	Weight Pound (kg)	Length Inch (mm)	Height Inch (mm)
51459	.7 (522)	0-2,500	5-8 (127-203)	87 dB(A)	3/22 (623)	3/8 (10)	1/4" NPT	5/8"-11 Male	5.3 (2.4)	12 (305)	4 (102)

Additional Specifications: Air Pressure 90 PSIG (6.2 Bar)

# Wet Sander

## Right Angle Wet Sander

### 5"-8" Diameter Models

#### Model 51474

- Conventional rotary action with lubricated gears. Variable speed motor.
- Center water feed prevents build-up of sanding residue on the disc. Independent water rinse flushes the work surface without starting the tool.
- Mount 5", 6", or 8" diameter pads (sold separately).
- Safety-lock throttle and soft-grip handle (adjusts to left or right hand).
- No pre-assembled hook-ups for those not requiring "through-the-tool" water feed (for those who prefer to use a garden hose or spray bottle).



Model 51474

Model Number	Motor hp (W)	Motor RPM	Pad Dia. Inch (mm)	Sound Level	Maximum Air Flow CFM/SCFM (LPM)	Hose I.D. Size Inch (mm)	Air Inlet Thread	Tool Thread	Weight Pound (kg)	Length Inch (mm)	Height Inch (mm)
51474	.7 (522)	0-2,000	6 (152)	82 dB(A)	6/43 (1,218)	3/8 (10)	1/4" NPT	5/8"-11 Male	4.8 (2.2)	13 (330)	3-1/8 (79)

Additional Specifications: Air Pressure 90 PSIG (6.2 Bar)

# Pistol Grip Disc Sanders

- Ideal for removing excess fiberglass. Also used for scuff sanding on resin surfaces, in preparation for proper adhesion of buoyancy foam.
- .7 hp (522 W) rear exhaust air motor, governor-controlled for maintaining RPM under heavy load.
- Gearless design for reduced maintenance and downtime.
- Removable side handle.



## 4" Diameter

### Model 50324 11,000 RPM

- Includes 4" (102 mm) diameter locking-type disc pad. Pad mounts to tool spindle without adapters. Accepts locking-type abrasive discs and non-woven nylon abrasives.
- For best performance, use 95676 Coupler/Plug assembly (see page 24).

## 4"-1/2"- 5" Diameter

### Model 50320 8,000 RPM      Model 50321 11,000 RPM

- Both models include 50264 Disc Mount, 50268 Flange Nut and 50267 Backup Pad, for accepting slotted center-hole abrasive discs.



Model Number	Motor hp (W)	Motor RPM	Sound Level	Maximum Air Flow CFM/SCFM (LPM)	Hose I.D. Size Inch (mm)	Air Inlet Thread	Tool Thread	Weight Pound (kg)	Length Inch (mm)	Height Inch (mm)
50320	.7 (522)	8,000	75 dB(A)	4/30 (850)	3/8 (10)	1/4" NPT	5/8"-11 Male	2.2 (1.0)	6-5/8 (168)	5-5/8 (143)
50321	.7 (522)	11,000	79 dB(A)	4/32 (906)	3/8 (10)	1/4" NPT	5/8"-11 Male	2.2 (1.0)	6-5/8 (168)	5-5/8 (143)
50324	.7 (522)	11,000	79 dB(A)	4/32 (906)	3/8 (10)	1/4" NPT	3/8"-24 Male	2.2 (1.0)	6-5/8 (168)	5-5/8 (143)

Additional Specifications: Air Pressure 90 PSIG (6.2 Bar)

# Drill and Dynastraight®

## 1 hp (746 W) Right Angle Drill

### Model 53143

- Powerful air motor is ideal for running diamond hole saws, to efficiently punch out holes in dashboard templates, and to quickly create other openings.
- Tool may also be run as a high-powered drill, when fitted with standard drill bits (sold separately).
- Side handle is reversible for left or right-handed use.



## Dynastraight® Abrasive Finishing Tool

### Model 13521

- 1 hp (746 W) tool runs optional pneumatic wheels at 1,800 RPM, for use in a variety of finishing applications.
- When fitted with optional 94472 Dynacushion® Pneumatic Wheel (as pictured), Dynastraight® is ideal for sanding large aluminum spars on sailing vessels.
- Many additional Dynastraight® models are also available – please call for details.



Model Number	Motor hp (W)	Motor RPM	Sound Level	Maximum Air Flow CFM/SCFM (LPM)	Wheel Arbor Diameter	Air Inlet Thread	Tool Thread	Weight Pound (kg)	Length Inch (mm)	Height Inch (mm)
13521	1 (744)	1,800	84 dB(A)	5/34 (952)	5/8"-11 Male	3/8" NPT	1/2"-20 Male	3.8 (1.7)	14-7/8 (378)	1-7/8 (48)

Additional Specifications: Hose I.D. Size 3/8" (10 mm) • Air Pressure 90 PSIG (6.2 Bar)



## Straight-Line Cut-Off Wheel Tool

**Model 52434** *Front Exhaust*      **Model 52435** *Rear Exhaust*

- Accepts 3" (76 mm) dia. cut-off wheels with 3/8" (10 mm) center hole (sold separately).
- Cut sheet metal, frame rails, clamps, rusted bolts.
- Use on all kinds of metal cutting operations. Ideal for fiberglass, too!
- 20,000 RPM. Compact, lightweight design permits easy access to tight spots.
- Composite grip absorbs vibration and reduces cold air transmission to the operator.
- Safety-lock lever throttle. Rear exhaust, directs air away from work.



Model 52434

## 7° Offset Cut-Off Wheel Tool

**Model 52420**

- Accepts 3" (76 mm) dia. cut-off wheels with 3/8" (10 mm) center hole (sold separately).
- Offset design provides maximum user comfort and control.
- Composite grip absorbs vibration and reduces cold air transmission to the operator.
- 20,000 RPM. Front exhaust keeps work surface clear.

**IMPORTANT:** Always use proper guards, wear eye gear and body protection. Never mount wheels which have lower RPM rating than the tool.



Model 52420

## Right Angle Diamond Cut-Off Wheel Tool (3" Diameter)

**Model 52439**

- .4 hp (298 W), high-quality air motor.
- Quickly and cleanly cuts through a variety of materials.
- Lightweight design for easy one-handed use.
- Tool accepts 3" (76 mm) diameter diamond cut-off wheels (sold separately).



Model 52439

## Vacuum Diamond Cut-Off Wheel Tool (5" Diameter)

**Model 52438**

- Powerful 1 hp (746 W) high-quality air motor is ideal for cutting through thick fiberglass over-wrap and fiber spray.
- Tool accepts 5" (127 mm) diameter diamond cut-off wheels (sold separately).
- Unique vacuum guard effectively directs dust and debris away from workpiece, to optional vacuum source.



Model 52438

Model Number	Motor hp (W)	Motor RPM	Sound Level	Maximum Air Flow CFM/SCFM (LPM)	Hose I.D. Size Inch (mm)	Air Inlet Thread	Spindle Thread	Weight Pound (kg)	Length Inch (mm)	Height Inch (mm)
52420	.5 (373)	20,000	85 dB(A)	4/28 (793)	3/8 (10)	1/4" NPT	3/8"-24 Male	2.2 (1.0)	6 (152)	5-1/2 (140)
52434	.5 (373)	20,000	84 dB(A)	4/27 (765)	3/8 (10)	1/4" NPT	3/8"-24 Male	2.0 (0.9)	6-3/8 (162)	3-1/8 (81)
52435	.5 (373)	20,000	80 dB(A)	4/27 (765)	3/8 (10)	1/4" NPT	3/8"-24 Male	2.3 (1.0)	8-1/2 (216)	3-1/8 (81)
52439	.4 (298)	12,000	86 dB(A)	3/21 (595)	1/4 (6)	1/4" NPT	3/8"-24 Male	1.1 (.5)	5-3/4 (146)	3 (76)

Additional Specifications: Air Pressure 90 PSIG (6.2 Bar)

# Industrial Dry Vacuum with Trolley

## Two-Tool Set-Up

*Includes Two Pneumatic Outlets and Two Vacuum Hose Ports*

### 9.9 Gallon:

**Models 61300, 61302, 61304, 61306 and 61308**

### 17 Gallon:

**Models 61301, 61303, 61305, 61307 and 61309**

- Heavy duty stainless steel drum; variable vacuum control.
- HEPA filtration (0.3 micron) with felt insert and paper bag.
- Electronic thermal protection device prevents heat overload of motor.
- Heavy duty four-wheel trolley with easy tilt 'n clean drum. Drum can be removed for use in special applications or locations.
- Disposable paper bag fits inside steel drum for convenient collection and disposal of debris. One disposable paper bag included with vacuum purchase. (Reorder part number 64682 for 9.9 gallon vacuum; part number 80076 for 17 gallon vacuum.)
- Max flow internal pneumatic workings.
- Two of the most innovative, lightweight 1-1/4" dia. x 20' long coaxial hoses on the market today.
- Auto on/off switch, 27' electrical cord.
- UL (United States and Canada), Gost (Russian) and CE approved/listed.
- All models feature Dynabrade's Composite-Style Couplers for maximum air flow to tools and easy connect/disconnect by single push-button action.
- Also includes Vacuum Hose Swivel Adapter. Lightweight vacuum hose connection swivels to add flexibility to your vacuum hose connection.



**HEPA filtration (0.3 micron)**



## Air-Powered Portable Vacuum

### Safe, Powerful, Portable Vacuum

*Ideal when Electric Equipment Is Hazardous or Electricity Is Not Available*

### 10 Gallon (37.8 L):

#### Model 64625

- Air-powered industrial vacuum for spark-free operation. Ideal where use of electric equipment is hazardous or where electric supply is not available.
- Dry vacuum only. Stainless steel body and vacuum head.
- Top tool shelf provides convenient location for tools while not in use.
- Two vacuum outlets with auto shut-off hinged covers.
- Includes two 1-1/4" dia. x 18' long flexible vacuum hoses with built-in 3/8" dia. I.D. air supply tubing, dust bag and water resistant/washable filter element.

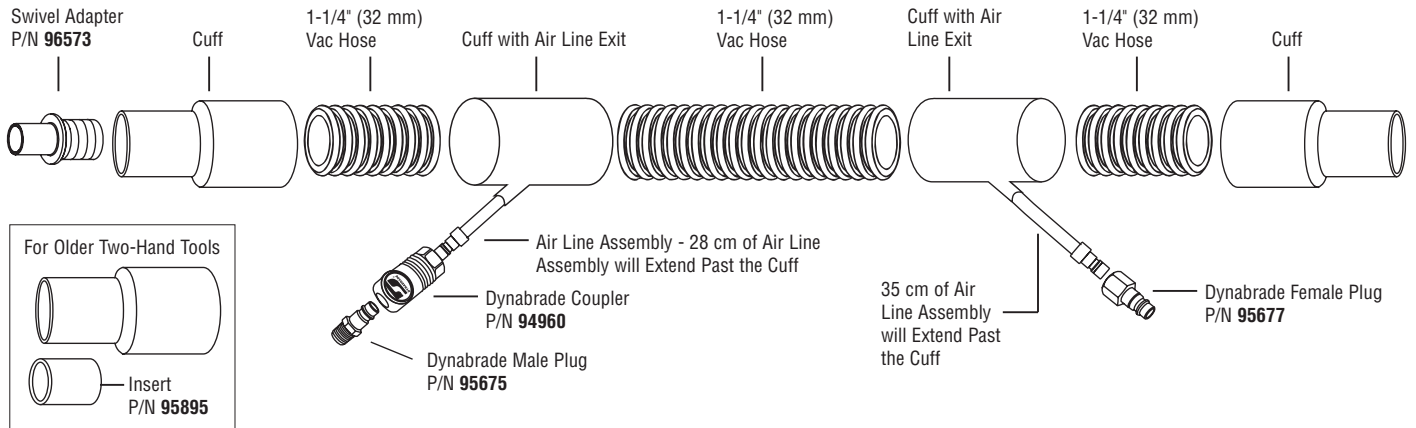
Model Number	Capacity Gallon (Liter)	Voltage/Frequency	Watts	Plug (Region)	Air Pressure PSIG (Bar)	Water Static Lift Inch/cm/mbar	Sound Level	Shipping Weight lbs. (kg)	Height Inch (cm)	Width Inch (cm)
61300	9.9 (36)	120V/60 Hz	1300	US (US/Canada)	90 (6.2)	90/229/230	76 dB(A)	48.4 (22)	38-1/2 (98)	20-7/8 (53)
61302	9.9 (36)	230V/50 Hz	1400	UK (UK)	90 (6.2)	90/229/230	76 dB(A)	48.4 (22)	38-1/2 (98)	20-7/8 (53)
61304	9.9 (36)	110V/60 Hz	1300	UK (UK)	90 (6.2)	90/229/230	76 dB(A)	48.4 (22)	38-1/2 (98)	20-7/8 (53)
61306	9.9 (36)	230V/50 Hz	1400	CEE7/XVII (Europe)	90 (6.2)	90/229/230	76 dB(A)	48.4 (22)	38-1/2 (98)	20-7/8 (53)
61308	9.9 (36)	230V/50 Hz	1400	None (International)	90 (6.2)	90/229/230	76 dB(A)	48.4 (22)	38-1/2 (98)	20-7/8 (53)
64625	10 (37.8)	N/A	N/A	N/A	110-120 (7.6-8.3)	90/229/230	73 dB(A)	48 (22)	44 (112)	19 (48)
61301	17 (64)	120V/60 Hz	1300	US (US/Canada)	90 (6.2)	90/229/230	76 dB(A)	61.6 (28)	44-7/8 (114)	27-5/8 (70)
61303	17 (64)	230V/50 Hz	1400	UK (UK)	90 (6.2)	90/229/230	76 dB(A)	61.6 (28)	44-7/8 (114)	27-5/8 (70)
61305	17 (64)	110V/60 Hz	1300	UK (UK)	90 (6.2)	90/229/230	76 dB(A)	61.6 (28)	44-7/8 (114)	27-5/8 (70)
61307	17 (64)	230V/50 Hz	1400	CEE7/XVII (Europe)	90 (6.2)	90/229/230	76 dB(A)	61.6 (28)	44-7/8 (114)	27-5/8 (70)
61309	17 (64)	230V/50 Hz	1400	None (International)	90 (6.2)	90/229/230	76 dB(A)	61.6 (28)	44-7/8 (114)	27-5/8 (70)

# Coaxial Vacuum Hose Assemblies

## For Dynabrade Vacuum System

### Part Number 94941

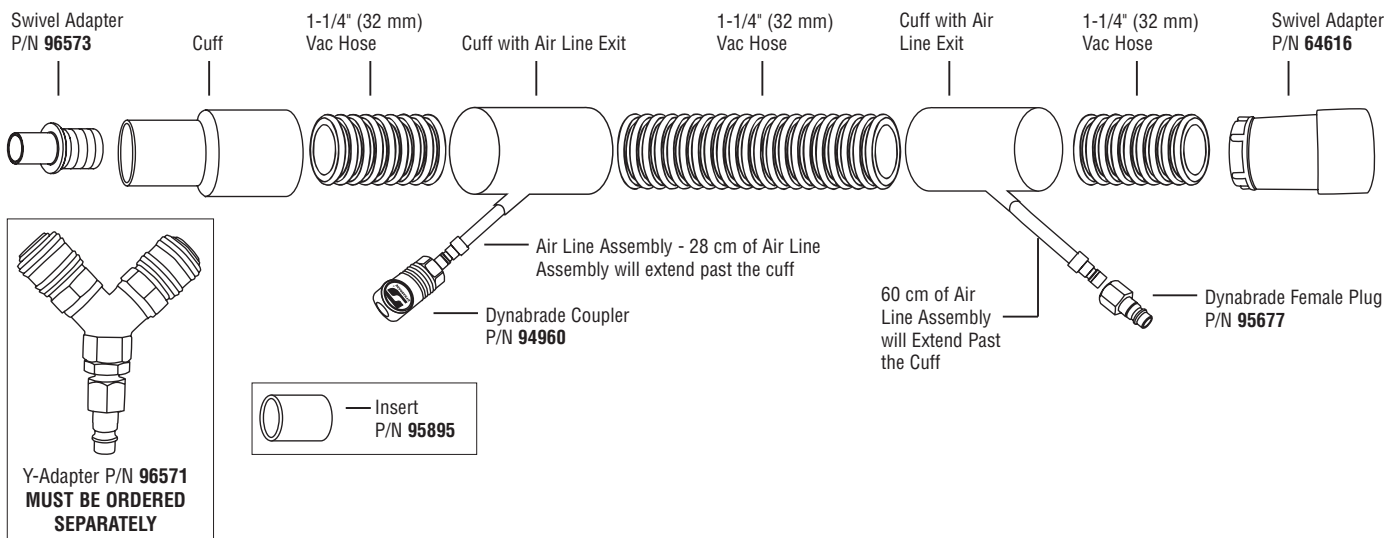
- Standard 1-1/4" (32 mm) dia. x 20' (6 m) long coaxial vacuum hose assembly.



## For Non-Dynabrade Vacuum Systems

### Part Number 94943

- Optional 1-1/4" (32 mm) dia. x 20' (6 m) long coaxial vacuum hose assembly.



## Exhaust Hoses

Many Configurations to Match Vacuum System Requirements

### 3/4" Diameter

Part Number	Length	Number of Cuffs
52036	2-1/2' (76 cm)	1
50834	5' (152 cm)	2
95729	Specify # of feet	0*

\*NOTE: Optional 95602 Factory-Installed Cuffs available.

### 1" Diameter

Part Number	Length	Number of Cuffs
50638	18" (46 cm)	2
50682	6' (183 cm)	2
95596	4-1/2' (137 cm)	1
95709	10' (305 cm)	2
95395	Specify-up to 50'	0*

\*NOTE: Optional 95599 Factory-Installed Cuffs available.

### 1-1/4" Diameter

Part Number	Length	Number of Cuffs
54201	4-1/2' (137 cm)	0
54202	6' (183 cm)	2
54205	Specify-up to 50'	0*

\*NOTE: Optional 95894 Factory-Installed Cuffs available

### 1-1/2" Diameter

Part Number	Length	Number of Cuffs
95847	Specify-up to 50'	0



# Random Orbital Sanding Pads

## Premium Urethane Pads are Perfectly Weight-Mated for Dynabrade Models

All Pads: 5/16"-24 Male Thread • 13,000 RPM Maximum Operating Speed

- Premium urethane pads resist heat build-up.
- Our exclusive single-piece hub design reduces vibration and wear.
- 5/8" thick pads ideal for sanding intricate contours.
- 8" diameter pads mount with five screws. All other pads have 5/16"-24 male threaded stud.

### Non-Vacuum Pads

- High quality back-up pad. Weight-mated for smooth running and minimal too vibration.



### Vacuum Pads

- Vacuum holes are precisely located to achieve proper alignment with abrasive discs for optimum vacuum capabilities.



### Channel Vacuum Pads

- 1/8" deep recessed channel. No need to align vacuum holes to pad holes.



### Vinyl-Face Pads

- Ideal for PSA-type disc adhesion and allows for quick disc removal.



### Hook-Face Pads

- Short nap pads for use with reattachable discs.
- Long nap pads for use with non-woven nylon discs.



### Rubber Pads

- Low-cost alternative for the economy-minded professional.
- Post pattern design (shown) for enhanced vacuum pick-up. No need to align vacuum holes.



## VINYL-FACE 3" DIAMETER

(76 mm)

Part Number	Non-Vacuum	Vacuum	Channel Vacuum	Holes	Thickness	Density
56084	✓	✓		–	5/8" (16 mm)	Medium
56086	✓	✓		–	5/8" (16 mm)	Soft

**NOTE:** Our 3" and 3-1/2" pads, without holes, can also be used for vacuum sanding. Vacuum pick-up is around periphery of pad.

## VINYL-FACE 3-1/2" DIAMETER

(89 mm)

Part Number	Non-Vacuum	Vacuum	Channel Vacuum	Holes	Thickness	Density
56097	✓	✓		–	5/8" (16 mm)	Soft
56098	✓	✓		–	5/8" (16 mm)	Medium

**NOTE:** Our 3" and 3-1/2" pads, without holes, can also be used for vacuum sanding. Vacuum pick-up is around periphery of pad.

## VINYL-FACE 5" DIAMETER

(127 mm)

Part Number	Non-Vacuum	Vacuum	Channel Vacuum	Holes	Thickness	Density
56102	✓				3/8" (10 mm)	Soft
56106	✓				3/8" (10 mm)	Medium
56175	✓				5/8" (16 mm)	Medium
56185	✓				5/8" (16 mm)	Soft
56100		✓		5	3/8" (10 mm)	Soft
56104		✓		5	3/8" (10 mm)	Medium
56176		✓		5	5/8" (16 mm)	Medium
56186		✓		5	5/8" (16 mm)	Soft
56241		✓		6	3/8" (10 mm)	Medium
56251			✓	5	3/8" (10 mm)	Soft
56252			✓	5	3/8" (10 mm)	Medium
56254			✓	5	5/8" (16 mm)	Medium
56256			✓	5	5/8" (16 mm)	Soft



## VINYL-FACE 6" DIAMETER

(152 mm)

Part Number	Non-Vacuum	Vacuum	Channel Vacuum	Holes	Thickness	Density
56103	✓			–	3/8" (10 mm)	Soft
56107	✓			–	3/8" (10 mm)	Medium
56177	✓			–	5/8" (16 mm)	Medium
56187	✓			–	5/8" (16 mm)	Soft
56101		✓		6	3/8" (10 mm)	Soft
56105		✓		6	3/8" (10 mm)	Medium
56178		✓		6	5/8" (16 mm)	Medium
56188		✓		6	5/8" (16 mm)	Soft
56261			✓	6	3/8" (10 mm)	Soft
56262			✓	6	3/8" (10 mm)	Medium
56264			✓	6	5/8" (16 mm)	Medium
56266			✓	6	5/8" (16 mm)	Soft

## VINYL-FACE 8" DIAMETER

(203 mm)

Part Number	Non-Vacuum	Vacuum	Channel Vacuum	Holes	Thickness	Density
56234	✓			–	3/8" (10 mm)	Medium
56235		✓		8	3/8" (10 mm)	Medium

# Random Orbital Sanding Pads

## Premium Urethane Pads

All Pads: 5/16"-24 Male Thread • 13,000 RPM Maximum Operating Speed

### HOOK-FACE 3" DIAMETER (76 mm)

Part Number	Non-Vacuum	Vacuum	Channel Vacuum	Nap	Holes	Thickness	Density
56087	✓	✓		Short	–	5/8" (16 mm)	Medium
56090	✓	✓		Long	–	5/8" (16 mm)	Medium

**NOTE:** Our 3" and 3-1/2" pads, without holes, can also be used for vacuum sanding. Vacuum pick-up is around periphery of pad.

### HOOK-FACE 3-1/2" DIAMETER (89 mm)

Part Number	Non-Vacuum	Vacuum	Channel Vacuum	Nap	Holes	Thickness	Density
54311	✓	✓		Short	–	5/8" (16 mm)	Soft
54313	✓	✓		Short	–	5/8" (16 mm)	Hard
54314	✓	✓		Long	–	5/8" (16 mm)	Medium

**NOTE:** Our 3" and 3-1/2" pads, without holes, can also be used for vacuum sanding. Vacuum pick-up is around periphery of pad.

### HOOK-FACE 5" DIAMETER (127 mm)

Part Number	Non-Vacuum	Vacuum	Channel Vacuum	Nap	Holes	Thickness	Density
54325	✓			Short	–	3/8" (10 mm)	Medium
56157	✓			Short	–	3/8" (10 mm)	Soft
56180	✓			Short	–	5/8" (16 mm)	Medium
56195	✓			Short	–	5/8" (16 mm)	Soft
54326		✓		Short	5	3/8" (10 mm)	Medium
56155		✓		Short	5	3/8" (10 mm)	Soft
56181		✓		Short	5	5/8" (16 mm)	Medium
56196		✓		Short	5	5/8" (16 mm)	Soft
56240		✓		Short	6	3/8" (10 mm)	Medium
56250			✓	Short	5	3/8" (10 mm)	Medium
56253			✓	Short	5	3/8" (10 mm)	Soft
56255			✓	Short	5	5/8" (16 mm)	Medium
56257			✓	Short	5	5/8" (16 mm)	Soft



### HOOK-FACE 6" DIAMETER (152 mm)

Part Number	Non-Vacuum	Vacuum	Channel Vacuum	Nap	Holes	Thickness	Density
54327	✓			Short	–	3/8" (10 mm)	Medium
56158	✓			Short	–	3/8" (10 mm)	Soft
56182	✓			Short	–	5/8" (16 mm)	Medium
56197	✓			Short	–	5/8" (16 mm)	Soft
54328		✓		Short	6	3/8" (10 mm)	Medium
56156		✓		Short	6	3/8" (10 mm)	Soft
56183		✓		Short	6	5/8" (16 mm)	Medium
56198		✓		Short	6	5/8" (16 mm)	Soft
54331		✓		Short	7/9	5/8" (16 mm)	Medium
56260			✓	Short	6	3/8" (10 mm)	Medium
56263			✓	Short	6	3/8" (10 mm)	Soft
56265			✓	Short	6	5/8" (16 mm)	Medium
56267			✓	Short	6	5/8" (16 mm)	Soft

### HOOK-FACE 8" DIAMETER (203 mm)

Part Number	Non-Vacuum	Vacuum	Channel Vacuum	Nap	Holes	Thickness	Density
56236	✓			Short	–	3/8" (10 mm)	Medium
56237		✓		Short	8	3/8" (10 mm)	Medium

## Radius Edge Pad

### Rounded Foam Edge

Ideal for Finishing within Rounded Corners

- Rounded foam edge conforms to shape of coves and corners.
- Hook-face attachment is offset from pad edge, allowing abrasive to flex around radius.
- Scalloped edge abrasive easily conforms to rounded edge of sanding pad, allowing more abrasive to contact work surface. See page 27 for selection of scalloped edge abrasives.



### HOOK-FACE 3-1/2" DIAMETER (89 mm)

Part Number	MOS (RPM)	Non-Vacuum	Vacuum	Nap	Holes	Radius Edge	Thickness Inch (mm)	Density
57796	13,000	✓		Short	–	3/8 (10)	5/8 (16)	Soft

### HOOK-FACE 5" DIAMETER (127 mm)

Part Number	MOS (RPM)	Non-Vacuum	Vacuum	Nap	Holes	Radius Edge	Thickness Inch (mm)	Density
57795	13,000	✓		Short	–	3/8 (10)	5/8 (16)	Soft

# Gear-Driven Sanding Pads

## Premium Urethane Pads

### Medium Density; Resist Heat Build-Up

- All gear-driven pads mount with either four, five or six screws, depending on the gear-driven tool model and the year built. The newly redesigned tools utilize a five screw-mount system; the old-style design (models 57306-57315) uses a four screw-mount system; and the original aluminum housing design uses a six screw-mount system.



### VINYL-FACE 5" DIAMETER (127 mm)

Part Number	MOS (RPM)	Non-Vacuum	Vacuum	Nap	Holes	Thickness Inch (mm)	Density	Screws
57761	12,000	✓		–	–	3/8 (10)	Medium	5
57776	12,000	✓		–	–	3/8 (10)	Medium	4

### HOOK-FACE 5" DIAMETER (127 mm)

Part Number	MOS (RPM)	Non-Vacuum	Vacuum	Nap	Holes	Thickness Inch (mm)	Density	Screws
57770	12,000	✓		Short	–	3/8 (10)	Medium	4
57760	12,000	✓		Short	–	3/8 (10)	Medium	5

### VINYL-FACE 6" DIAMETER (152 mm)

Part Number	MOS (RPM)	Non-Vacuum	Vacuum	Nap	Holes	Thickness Inch (mm)	Density	Screws
57762	12,000	✓		–	–	3/8 (10)	Medium	5
57763	12,000		✓	–	6	3/8 (10)	Medium	5
57771	12,000	✓		–	–	3/8 (10)	Medium	4
57772	12,000		✓	–	6	3/8 (10)	Medium	4
57380	10,000	✓		–	–	3/8 (10)	Medium	6
57381	10,000		✓	–	8	3/8 (10)	Medium	6

### HOOK-FACE 6" DIAMETER (152 mm)

Part Number	MOS (RPM)	Non-Vac	Channel Vac	Nap	Holes	Thickness Inch (mm)	Density	Screws
57773	12,000	✓		Short	–	3/8 (10)	Medium	4
57387	10,000	✓		Short	–	3/8 (10)	Medium	6
57775	12,000		✓	Short	6	3/8 (10)	Medium	4
57388	10,000		✓	Short	8	3/8 (10)	Medium	6
57774	12,000		✓	Short	8	3/8 (10)	Medium	4
57764	12,000	✓		Short	–	3/8 (10)	Medium	5
57765	12,000		✓	Short	6	3/8 (10)	Medium	5
57766	12,000		✓	Short	8	3/8 (10)	Medium	5

**NOTE:** 57775 Pad has vacuum holes around outside edge of pad for sanders with vacuum shrouds

### VINYL-FACE 8" DIAMETER (203 mm)

Part Number	MOS (RPM)	Non-Vacuum	Vacuum	Nap	Holes	Thickness Inch (mm)	Density	Screws
56234	10,000	✓		–	–	1/2 (13)	Medium	5
56235	10,000		✓	–	8	1/2 (13)	Medium	5

### HOOK-FACE 8" DIAMETER (203 mm)

Part Number	MOS (RPM)	Non-Vacuum	Vacuum	Nap	Holes	Thickness Inch (mm)	Density	Screws
56236	10,000	✓		Short	–	1/2 (13)	Medium	5
56237	10,000		✓	Short	8	1/2 (13)	Medium	5

## 11" (279 mm) Dia. Sanding Pads

### Premium Foam Pads

#### For Non-Vacuum and Vacuum Use

- For use with both the 11" Random Orbital Sander and 11" Gear-Driven Sander.
- Pad has holes for vacuum use; holes are covered by non-vac abrasive disc for non-vacuum use.



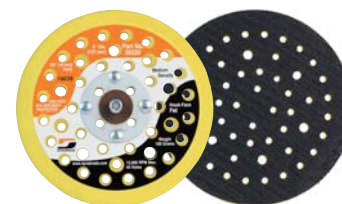
Part Number	MOS RPM	Vinyl Face	Hook Face	Loop Face	Nap	Holes	Thickness Inch (mm)	Screws
56230	3,000	✓			–	5	1/2 (13)	5
56231	3,000		✓		Short	5	1/2 (13)	5
56232	3,000			✓	–	5	1/2 (13)	5

**NOTE:** 56232 Pad accepts 3M™ HookIt™ II abrasive discs.

## Mesh Abrasive Pads

### Premium Urethane

- Compatible with mesh-style abrasive sanding discs.
- Dust-free sanding.
- Eliminate pilling problems.
- Longer abrasive life!



Part Number	Diameter Inch (mm)	MOS RPM	Hook Face	Nap	Holes	Thickness Inch (mm)
56320	5 (127)	13,000	✓	Short	44	3/8 (10)
56321	6 (152)	13,000	✓	Short	52	3/8 (10)

### 5" Mesh Abrasive System

#### 5" diameter only – P/N 58052

- Includes: 59023 Self-Generated Vacuum Dynorbital-Spirit™ with 56320 Pad, bag-in-bag vacuum system, extra disposable vacuum bags and scratch-proof belt strap.

### Conversion Kit

#### 5" diameter – P/N 58055

#### 6" diameter – P/N 58060

- Transforms non-vac tool into Self-Generated Vacuum tool and Mesh System.
- Includes: 56320 (5") or 56321 (6") Pad, and all items in 58052 System (left).

# Interface Pads and Pad Conversions

For Combining with Standard Dynabrade Pads for Increased Versatility

## DYNAFOAM INTERFACE PADS

- Attaches between sanding pad and hook-face abrasive.
- Soft foam increases conformability allowing operator to easily follow contours. Converts standard pad into a fine finishing and finessing pad!
- Interface pad easily contours to most surfaces.

Hook-face pad  
Hook-face interface pad attaches between sanding pad and hook-face abrasive  
Hook-face abrasive



For Random Orbital Sanders Non-Vacuum and Vacuum

Part No.	Diameter	
53974	3" (76 mm)	○
53976	3-1/2" (89 mm)	○
53978	5" (127 mm)	⊙
53980	6" (152 mm)	⊙
53982	8" (203 mm)	⊙

For Dynafine Detail Sanders

Part No.	Shape	
53970	Tear Drop	◊
53972	Triangle	△

For Dynaline and Dynabug Sanders

Part No.	Dimensions	
53984	2-3/4" (70 mm) x 11" (279 mm) For the Dynaline	□
53986	2-3/4" (70 mm) x 8" (203 mm) For the Dynaline	□
53988	3-2/3" (93 mm) x 7" (175 mm) For the Dynaline and Dynabug	□

## VINYL-TO-HOOK CONVERSIONS

- Thin sticky-back sheet adheres to current vinyl-face pad and accepts hook-face abrasives and hook-face interface pads.

Vinyl-face pad  
Thin sticky-back sheet with hook-face bottom  
Hook-face interface pad can be attached between sanding pad and hook-face abrasive  
Hook-face abrasive



For Random Orbital Sanders Non-Vacuum and Vacuum

Part No.	Diameter	
53975	3" (76 mm)	○
53977	3-1/2" (89 mm)	○
53979	5" (127 mm)	⊙
53981	6" (152 mm)	⊙

For Dynafine Detail Sanders

Part No.	Shape	
53971	Tear Drop	◊
53973	Triangle	△

For Dynaline and Dynabug Sanders

Part No.	Dimensions	
53985	2-3/4" (70 mm) x 11" (279 mm) For the Dynaline	□
53987	2-3/4" (70 mm) x 8" (203 mm) For the Dynaline	□
53989	3-2/3" (93 mm) x 7" (175 mm) For the Dynaline and Dynabug	□

## HOOK-TO-VINYL CONVERSIONS

Hook-face pad  
Thin velcro-backed sheet attaches to standard hook-face pad and accepts PSA-type abrasives



Non-Vacuum and Vacuum		
Part No.	Diameter	
53992	5" (127 mm)	⊙
53993	6" (152 mm)	⊙

## HOOK-TO-LOOP CONVERSIONS

Hook-face pad  
Thin velcro-backed sheet attaches to standard hook-face pad and accepts 3M™ Hookit™ II abrasives



Non-Vacuum ONLY		
Part No.	Diameter	
56220	11" (279 mm)	○

# Coupler and Plug Assemblies

## Provide Maximum Air Flow to Tools!

- Assemblies include one coupler and one plug. (Also sold separately.)
- Maximum working pressure: 150 PSIG (10 Bar).
- Temperature Range: -4°F to 212°F (-20°C to 100°C).



Part Number	Coupler Body Size	Coupler Thread Size (NPT)	Steel	Coupler Construction Composite	Safety	Plug Body Size	Plug Thread Size (NPT)	Air Flow Range SCFM (LPM)
95676	1/4"	1/4" Female	✓			1/4"	1/4" Male	Up to 74 (2,095)
95850	1/4"	1/4" Female	✓			1/4"	1/4" Female	Up to 74 (2,095)
95685	1/4"	1/4" Male	✓			1/4"	1/4" Male	Up to 74 (2,095)
95851	1/4"	1/4" Male	✓			1/4"	1/4" Female	Up to 74 (2,095)
94990	1/4"	1/4" Female		✓		1/4"	1/4" Male	Up to 74 (2,095)
94991	1/4"	1/4" Female		✓		1/4"	1/4" Female	Up to 74 (2,095)
94992	1/4"	1/4" Male		✓		1/4"	1/4" Male	Up to 74 (2,095)
94993	1/4"	1/4" Male		✓		1/4"	1/4" Female	Up to 74 (2,095)
97572	1/4"	1/4" Female		✓	✓	1/4"	1/4" Male	Up to 55 (1,558)
97573	1/4"	1/4" Female		✓	✓	1/4"	1/4" Female	Up to 55 (1,558)
97574	1/4"	1/4" Male		✓	✓	1/4"	1/4" Male	Up to 55 (1,558)
97575	1/4"	1/4" Male		✓	✓	1/4"	1/4" Female	Up to 55 (1,558)
98265	3/8"	3/8" Female	✓			3/8"	3/8" Male	Up to 138 (3,900)
98266	3/8"	3/8" Female	✓			3/8"	3/8" Female	Up to 138 (3,900)
98267	3/8"	3/8" Male	✓			3/8"	3/8" Male	Up to 138 (3,900)
98268	3/8"	3/8" Male	✓			3/8"	3/8" Female	Up to 138 (3,900)
98273	1/2"	1/2" Female	✓			1/2"	1/2" Male	Up to 138 (3,900)
98274	1/2"	1/2" Female	✓			1/2"	1/2" Female	Up to 138 (3,900)
98275	1/2"	1/2" Male	✓			1/2"	1/2" Male	Up to 138 (3,900)
98276	1/2"	1/2" Male	✓			1/2"	1/2" Female	Up to 138 (3,900)

## DynaJet™ In-Line Blow Gun

### Clean Off Work Surfaces Without Disconnecting!

- Connects only one time...mounts permanently between coupler and air hose.
- Purges air line of water and contaminants before starting up air tools.
- Durable aluminum construction, weighs only 2 oz.
- Each unit has 1/4" female NPT thread at both ends for easy installation.

#### Part Number 94466

##### Standard Design

- Provides no restriction of air line pressure.

#### Part Number 94467

##### Safety Tip Design

- Reduces line pressure down to 30 PSIG (2 Bar).
- Meets O.S.H.A. requirements of special relief hole in nozzle which limits pressure to 30 PSIG (2 Bar) when dead ended and used on an air line of 150 PSIG (10.3 Bar) or less.

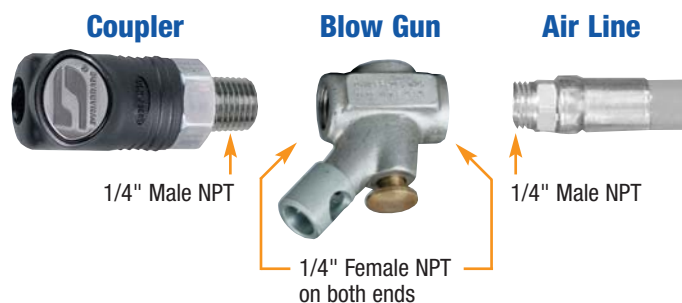


▲ Part Number 94466



▲ Part Number 94467

#### Proper Installation for DynaJet™ In-Line Blow Gun Connection



Part Number	Thread Size	Weight	Recommended Air Flow Range
94466	1/4" Female NPT	2 oz.	up to 35 SCFM
94467	1/4" Female NPT	2 oz.	up to 35 SCFM

150 PSIG (10.3 Bar) maximum on all models



## Vacuum Hose Swivel Adapters

Add Flexibility to Your Hose Connection



**Part Number 96572**

**1" Swivel Adapter**

- The adapter SWIVELS.
- Lightweight vacuum hose connection to air tools.
- Easy connection to tool and vacuum hose.

**Part Number 96573**

**1-1/4" Swivel Adapter**

## Hose Cuffs

Many Configurations to Match Your Vacuum System Requirements

96412 ▼



95700 ▲

95601 ▲



Part Number	Hose Connection	Tool Connection	Number of Cuffs	Insert
95601	3/4" Thread	3/4" I.D. Non-Thread	1	–
95602	3/4" Thread	3/4" I.D. Non-Thread	2 (installed)	–
95396	1" Thread	1" I.D. Non-Thread	1	–
95599	1" Thread	1" I.D. Non-Thread	2 (installed)	–
54208	1" Thread	1-1/4" I.D. Non-Thread	1	–
95894	1-1/4" Thread	1" I.D. Non-Thread	1	Included
96413	1-1/4" Thread	1-1/2" Thread	1	–
96412	1-1/4" Thread	1-1/4" Thread	1	–
95800	1-1/4" Thread	1-1/4" I.D. Non-Thread	1	Optional
96102	1-1/2" Thread	1-1/4" I.D. Non-Thread	1	Optional
96104	1-1/2" Thread	1" I.D. Non-Thread	1	–
96414	1-1/2" I.D. Non-Thread	1-1/4" Thread	1	–
96103	1-1/2" Thread	1" I.D. Non-Thread	1	–
95700	2" Thread	1-1/4" I.D. Non-Thread	1	Optional
97051	2" I.D. Non-Thread	1-1/2" Thread	1	–
64616	2-1/4" I.D. Non-Thread	1-1/4" Thread	1	–

**NOTE:** Part Number 95700 includes 95699 Cuff Adapter & 95698 2" Swivel Cuff  
Part Number 64616 is a swivel cuff

## Random Orbital Sander Vacuum Conversion Kits

- Conversion kit allows user to change a non-vacuum tool into desired vacuum configuration.
- Pad diameter determines which kit is right for your tool.



Kit no. 57120



Pad Dia. Inch (mm)	Converts to	Kit Part Number
3-1/2 (89)	Self-Generated Vac-Ready	57118
3-1/2 (89)	Central Vac-Ready	57119
5 (127)	Self-Generated Vac-Ready	57120
5 (127)	Central Vac-Ready	57121
6 (152)	Self-Generated Vac-Ready	57122
6 (152)	Central Vac-Ready	57123

## Filter-Regulator-Lubricator

Provides accurate air pressure regulation, two-stage filtration of water/contaminants, and lubrication of pneumatic components.

**Filter:** Two-stage filtration of water/contaminants from the air system.

**Regulator:** Features safety-lock knob for maintaining accurate air pressure regulation.



**Lubricator:** Adjustable oil drop to meter the amount of oil into the system.

Part Number	Air Inlet Thread	Filter	Regulator	Lubricator
11405	3/8" NPT	✓	✓	✓
11400	3/8" NPT	✓		
11401	3/8" NPT		✓	
11403	3/8" NPT			✓
11402	3/8" NPT	✓	✓	
11404	3/8" NPT		✓	✓
11411	1/2" NPT	✓	✓	✓
11406	1/2" NPT	✓		
11407	1/2" NPT		✓	
11409	1/2" NPT			✓
11408	1/2" NPT	✓	✓	
11410	1/2" NPT		✓	✓

Additional Specifications: Max. Air Flow 140 PSIG (9.7 Bar) • Female Ports  
3/8" NPT = 40 SCFM (1,133 LPM) @ 100 PSIG (6.9 Bar)  
1/2" NPT = Up to 55 SCFM (1,558 LPM) @ 100 PSIG (6.9 Bar)

# Dynaswivel® Air Line Connector

## Never Fight an Air Hose Again!

For use with Most Air Tools... Grinders, Sanders, Glue Guns, Staple Guns, Drills, Buffers, Etc.

- The Dynaswivel® is a patented “universal-joint” that connects portable air tools to an air line. (Patent No. D-295,552; D-295,553; D-317,818.)
- Improves tool maneuverability and air flow, minimizes operator fatigue and extends hose life.

### ORIGINAL CONSTRUCTION

- Aluminum and stainless steel construction.

95461 ▶



### COMPOSITE CONSTRUCTION

- Non-marring composite construction; industrial quality.

94300 ▶



### SINGLE-PIVOT

- Right angle “single-pivot” swivels 360° at one location.
- Designed to permit air hose to extend horizontally away from tool while allowing 360° tool maneuverability.
- Great for stationary equipment.

95590 ▶



### DOUBLE-PIVOT

- SWIVELS 360° AT TWO PIVOT POINTS allowing the air hose to drop directly to the floor while providing superb tool handling.

95460 ▶



### FLOW CONTROL

- Finger-tip air-flow control dial.

94407 ▶



### SMALL TOOL

- Ideal for light production and assembly line operations.
- Excellent for use on small screwdrivers and drills.



### HEAVY DUTY

- For large capacity tools with air flow above 65 SCFM.

95690 ▶



### THE PROBLEM



### THE SOLUTION!



### DYNASWIVEL® DISPLAY PAK Model 96177

- Includes one counter top display box and ten 94300 Dynaswivel® Air Line Fittings.



## Dynaswivel® Air Line Connectors are Offered in a Variety of Configurations:

Part Number	Thread Size	Original Construction	Composite Construction	Single Pivot	Double Pivot	Flow Control	Air Flow Range SCFM (LPM)	Small Tool	Standard Tool	Heavy Duty	Weight (kg)
94300*	1/4" NPT		✓		✓		up to 33 (935)		✓		2.15 oz. (.06)
94407*	1/4" NPT		✓		✓	✓	up to 46 (1,303)		✓		2.4 oz. (.08)
95460**	1/4" NPT	✓			✓		up to 25 (708)			✓	0.20 lbs. (.09)
95461**	3/8" NPT	✓			✓		26-45 (1,275)			✓	0.40 lbs. (.18)
95462**	1/2" NPT	✓			✓		46-65 (1,840)			✓	0.80 lbs. (.36)
95590**	1/4" NPT	✓		✓			up to 25 (708)		✓		0.12 lbs. (.05)
95591**	3/8" NPT	✓		✓			26-45 (1,275)		✓		0.26 lbs. (.12)
95592**	1/2" NPT	✓		✓			46-65 (1,840)		✓		0.47 lbs. (.21)
95690**	3/4" NPT	✓			✓		above 65 (1,840)			✓	1.50 lbs. (.68)
95734**	1/4" NPT	✓			✓	✓	up to 25 (708)			✓	0.25 lbs. (.11)
95852**	1/8" Male x 25 1/4" NPT Female	✓			✓		up to 25 (708)	✓			0.19 lbs. (.08)

**IMPORTANT:** 150 PSIG (10.3 Bar) maximum on all models

**\*NOTE:** Do not exceed recommended torque value of 20' lbs. (28-30 newton meters)

**\*\*NOTE:** Do not use on percussion tools or in areas of high mechanical abuse

## Coated Abrasive Discs

For Use with Random Orbital and Gear-Driven Sanders



Aluminum Oxide

5" (127 mm) DIA.

Hook-Face

Number of Holes	40 Grit	60 Grit
0	93312	93313
5	93309	93310

6" (152 mm) DIA.

Hook-Face

Number of Holes	40 Grit	60 Grit
0	93318	93319
6	93315	93316

8" (203 mm) DIAMETER

PSA (Pressure Sensitive Adhesive)

Vacuum Type	Number of Holes	40 Grit	80 Grit	120 Grit
Non-Vacuum	0	91235	91237	91239
Vacuum	8	91247	91249	91251

8" (203 mm) DIA.

Hook-Face

Number of Holes	80 Grit	120 Grit
0	91446	91448
8	91458	91460

11-1/4" (286 mm) DIA.

Hook-Face

Number of Holes	80 Grit	120 Grit	180 Grit
0	91300	91301	91302
1	91303	91304	91305

NOTE: "0" Style Vacuum Discs have one 5-1/2" (140 mm) I.D. hole

Micro-Finishing Film

11-1/4" (286 mm) DIA.

Hook-Face

Number of Holes	100 Micron	80 Micron	60 Micron	30 Micron	15 Micron
0	91320	91321	91322	91323	91324
1	91325	91326	91327	91328	91329

NOTE: "0" Style Vacuum Discs have one 5-1/2" (140 mm) I.D. hole

3M™ Scotch-Brite™ Discs Hook-Face

For Use with Random Orbital and Gear-Driven Sanders

Non-Vacuum Only

11-1/4" (286 mm) DIA.

Part Number	Grade	Color
91400	Very Fine	Maroon
91401	Ultra Fine	Grey
91402	Super Fine	White

3M™ Trizact™ Discs Hook-It™ II

For Use with Random Orbital and Gear-Driven Sanders

Non-Vacuum Only

11-1/4" (286 mm) DIA.

Part Number	Grade	Color
91405	A35	Green
91406	A10	Blue
91407	A5	Orange
91408	C/O	White

NOTE: C/O is Cerium Oxide 568XA

Scotch-Brite, Trizact and Hook-it II are registered trademarks of 3M Company.

## Coated Abrasive Discs PSA

For Use with Mini-Dynorbital® Sanders  
Micro-Finishing Film

Aluminum Oxide  
(Pressure Sensitive Adhesive)

Diameter Inch (mm)	1,000 Grit
3/4 (19)	93183
1-1/4 (32)	93191



Silicon Carbide  
(Pressure Sensitive Adhesive)

Diameter Inch (mm)	80 Grit	120 Grit	180 Grit	220 Grit
3/4 (19)	93271	93272	93274	93275
1-1/4 (32)	93280	93281	93283	93284

Non-Woven Nylon Discs Hook-Face

For Use with Mini-Dynorbital® Sanders

Diameter Inch (mm)	Medium (150-180)	Very Fine (220-320)
3/4 (19)	90858	90856
1-1/4 (32)	90862	90860

## NewEdge Scalloped-Edge Abrasive Discs

For Use with Random Orbital and Gear-Driven Sanders

Great for Sanding into Coves and Corners

- Ideal for use with Dynabrade Radius Pad. (See page 21.)
- Scalloped edge easily conforms to rounded edge of sanding pad, allowing more abrasive to contact work surface.
- Scalloped-edge discs roll up into a radius to polish kitchen and bath countertop coves. Non-vacuum use only.
- Use on bowls in the Woodturning Industry; molds and dies in the Cultured Marble Industry; fiberglass repair in the Boat Industry.

## NON-WOVEN NYLON

Diameter Inch (mm)	Maroon	Grey
3-1/2 (89)	92585	92586
5 (127)	92595	92596

- NewEdge Starter Kits available. Kit contain three abrasives of each grade.

- 3-1/2" (89 mm) Kit:  
Part Number 92353

- 5" (127 mm) Kit:  
Part Number 92350

## COATED ABRASIVE

Aluminum Oxide

Diameter Inch (mm)	80 Grit	120 Grit	100 Micron	60 Micron	30 Micron
3-1/2 (89)	92580	92581	92582	92583	92584
5 (127)	92590	92591	92592	92593	92594



# Abrasive Discs, Sheets and Rolls

## 3M™ Stikit™ Coated Abrasive Discs

For Use with Random Orbital Sanders  
PSA Disc Rolls (Pressure Sensitive Adhesive)

### 5" (127 mm) DIAMETER

Stikit™ Gold 216U – Aluminum Oxide

Number of Holes	80 Grit	100 Grit	120 Grit	180 Grit	200 Grit	220 Grit	320 Grit
0	93101	93102	93103	93105	–	93106	–
5	93109	93110	93111	93113	–	93114	–

### 6" (152 mm) DIAMETER

Stikit™ Gold 216U – Aluminum Oxide

Number of Holes	80 Grit	100 Grit	120 Grit	180 Grit	200 Grit	220 Grit	320 Grit
0	93200	93201	93202	93204	–	93205	–
6	93215	93216	93217	93219	–	93220	–

### 3-1/2" (89 mm) DIAMETER

Stikit™ Gold 216U – Aluminum Oxide

Number of Holes	80 Grit	100 Grit	120 Grit	180 Grit	200 Grit	220 Grit	320 Grit
0	92090	–	92092	92094	92095	–	92097

### 5" (127 mm) DIAMETER

Stikit™ Gold 415U Tri-m-ite – Silicon Oxide

Number of Holes	80 Grit	100 Grit	120 Grit	180 Grit	200 Grit	220 Grit	320 Grit
0	93051	–	93053	93055	–	93056	–
5	93060	–	93062	93064	–	93065	–

### 6" (152 mm) DIAMETER

Stikit™ Gold 415U Tri-m-ite – Silicon Oxide

Number of Holes	80 Grit	100 Grit	120 Grit	180 Grit	200 Grit	220 Grit	320 Grit
0	93069	–	93071	93073	–	93074	–
6	93077	–	93079	93081	–	93082	–

## Coated Abrasive Discs

For Use with Dynafine™ Sanders  
Aluminum Oxide

### TEAR-DROP DISCS

Dynafine™ Sanders



Type	80 Grit	120 Grit	150 Grit	180 Grit
Hook-Face	93953	93954	93955	93956
PSA	93993	93994	93995	93996

### TRIANGULAR DISCS

Dynafine™ Sanders

Type	80 Grit	120 Grit	150 Grit	180 Grit
Hook-Face	93913	93914	93915	93916
PSA	93983	93984	93985	93986

## Coated Abrasive Sheets

For Use With Dynafine™  
Backsplash Sanders

### Silicon Carbide

### 3-1/2" (89 mm) WIDE x 2-3/4" (70 mm) LONG

Dynafine™ "Backsplash" Sanders

120 Grit	150 Grit	180 Grit
93130	93131	93132



## Non-Woven Nylon Discs

For Use with Dynafine™ Sanders

### TEAR-DROP DISCS

Dynafine™ Sanders

Coarse (150-180)	Medium (220-320)	Fine (180-220)	Super Fine (220-600)
93970	93971	93972	93973

### TRIANGULAR DISCS

Dynafine™ Sanders

Medium (150-180)	Very Fine (220-320)
93931	93932



## 3M™ Coated Abrasive Rolls

Pressure Sensitive Adhesive for Use  
with Dynaline and Dynabug® Sanders

PSA Mounted Rolls – Aluminum Oxide

### 2-3/4" (70 mm) WIDE

Dynaline Sanders

80 Grit	100 Grit	120 Grit	150 Grit	180 Grit
93000	93001	93002	93003	93004



### 3-2/3" (93 mm) WIDE

Dynabug® Sanders

80 Grit	100 Grit	120 Grit	150 Grit	180 Grit
93030	–	93032	93033	93034



## For Use With Small Belt Tools

### THE CHOICE IS YOURS!

Dynabrade offers abrasives belts in three different varieties to fit the preference and budget of every operator.

#### 3M 3M 577F

Premium grade belts. The 577F Cubicut Polycut is a premium grade of zirconia alumina from 3M. The self-sharpening characteristic of the microcrystalline structure is combined with heavy strength polyester cloth making these belts superior. We recommend these belts for optimum performance on our tools.



#### DC Dynacut

These zirconia alumina abrasive belts cut faster and last longer than most coated abrasive products when grinding steel or stainless steel with Dynabrade small belt tools. The belts are very sharp and are excellent for use on most metals, including aluminum and titanium, when lubricated properly (use Dynüba 100 spray lubricant; part number 60000).



#### A/O Aluminum Oxide

Abrasive belts constructed of the most popular man-made abrasive: aluminum oxide. Aluminum oxide is tough and known for its high speed penetration of materials such as carbon steel, alloy steel, tough bronze and hard wood without excessive fracturing of the grain. Excellent all-around abrasive belts for everyday use.



### 12" (309 mm) LONG

#### Mini-Dynafyle® II



	Width Inch (mm)	40 Grit	60 Grit	80 Grit	120 Grit	180 Grit	220 Grit	320 Grit
3M	1/8 (3)	–	–	89002	89003	–	–	–
	1/4 (6)	89005	89006	89007	89008	–	–	–
	1/2 (13)	89010	89011	89012	89013	–	–	–
DC	1/8 (3)	–	–	92206	92207	–	–	–
	1/4 (6)	92105	92106	92107	92108	–	–	–
	1/2 (13)	92110	92111	92112	92113	–	–	–
A/O	1/8 (3)	–	–	–	–	92208	92209	92210
	1/4 (6)	–	91425	91426	91427	92118	92119	92120
	1/2 (13)	–	91428	91429	91430	92114	92115	92116

### 18" (457 mm) LONG

Dynafyle® II,  
Electric Dynafyle® II,  
Dynafyle® III and Dynangle



	Width Inch (mm)	40 Grit	60 Grit	80 Grit	120 Grit	180 Grit	220 Grit	320 Grit
3M	1/8 (3)	–	–	89032	89033	–	–	–
	1/4 (6)	89035	89036	89037	89038	–	–	–
	1/2 (13)	89040	89041	89042	89043	–	–	–
	3/4 (19)	89045	89046	89047	89048	–	–	–
	1 (25)	89050	89051	89052	89053	–	–	–
DC	1/8 (3)	–	–	92230	92231	–	–	–
	1/4 (6)	92125	92126	92127	92128	–	–	–
	1/2 (13)	92130	92131	92132	92133	–	–	–
	3/4 (19)	92135	92136	92137	92138	–	–	–
	1 (25)	92140	92141	92142	92143	–	–	–
A/O	1/8 (3)	–	–	92228	92229	92232	92233	92234
	1/4 (6)	–	91114	91115	91116	90224	90225	90226
	1/2 (13)	–	91117	91118	91119	90244	90245	90246
	3/4 (19)	–	91123	91124	91125	90254	90255	90256
	1 (25)	–	91126	91127	91128	90288	90289	90290

NOTE: Our Dynafyle® II, Electric Dynafyle® II, and Dynafyle® III can also be adapted to use 24" belts

### 20-1/2" (521 mm) LONG

#### Dynafyle® II



	Width Inch (mm)	40 Grit	60 Grit	80 Grit	120 Grit	180 Grit	220 Grit	320 Grit
3M	3/4 (19)	–	89061	89062	89063	–	–	–
DC	3/4 (19)	90640	90641	90642	90643	–	–	–
A/O	3/4 (19)	–	–	–	–	90334	90335	90336

### 24" (610 mm) LONG

#### Dynafyle®



	Width Inch (mm)	40 Grit	60 Grit	80 Grit	120 Grit	180 Grit	220 Grit	320 Grit
3M	1/8 (3)	–	–	89072	89073	–	–	–
	1/4 (3)	89075	89076	89077	89078	–	–	–
	1/2 (10)	89080	89081	89082	89083	–	–	–
	1 (25)	89085	89086	89087	89088	–	–	–
DC	1/8 (3)	–	–	90456	90457	–	–	–
	1/4 (3)	92155	92156	92157	92158	–	–	–
	1/2 (10)	92160	92161	92162	92163	–	–	–
	1 (25)	92165	92166	92167	92168	–	–	–
A/O	1/8 (3)	–	–	–	–	90410	90411	90412
	1/4 (6)	–	91434	91435	91436	90423	90424	90425
	1/2 (13)	–	91437	91438	91439	90449	90451	90453
	1 (25)	–	–	–	–	90486	90487	90488

Scotch-Brite is a registered trademark of 3M Company.

Additional Belt Lengths are Available from Dynabrade.

3M™ Scotch-Brite™ Non-Woven Nylon Belts Also Available from Dynabrade!

# Abrasive Discs, Wheels and Accessories

## Coated Abrasive Discs

For Use With 2" and 4-1/2" Diameter Disc Sanders

### 2" (51 mm) DIAMETER

Aluminum Oxide

50 Grit	80 Grit	100 Grit	120 Grit
-	92040	92046	-



### 4-1/2" (114 mm) DIAMETER

Ceramic Coated Aluminum Oxide

50 Grit	80 Grit	100 Grit	120 Grit
92052	92053	92054	92055



## 3M Ceramic Coated Discs

For Use With 2", 3" and 4" Diameter Disc Sanders

Roloc™ – Aluminum Oxide

### 2" (51 mm) DIA.

60 Grit	80 Grit	120 Grit
92027	92028	92029

### 3" (76 mm) DIA.

60 Grit	80 Grit	120 Grit
92031	92032	92033

### 4" (102 mm) DIA.

36 Grit	60 Grit	80 Grit
92047	92049	92050



## 3M Non-Woven Nylon Discs

For Use With 2", 3" and 4" Diameter Disc Sanders

Roloc™

### 2" (51 mm) DIAMETER

Coarse (80-150)	Medium (150-180)	Very Fine (220-320)	Super Fine (220-600)
90872	90873	90874	90875



### 3" (76 mm) DIAMETER

Coarse (80-150)	Medium (150-180)	Very Fine (220-320)	Super Fine (220-600)
90876	90877	90878	90879



### 4" (102 mm) DIAMETER

Coarse (80-150)	Medium (150-180)	Very Fine (220-320)	Super Fine (220-600)
90867	90868	-	-

Roloc is a registered trademark of 3M Company.

## 3M Green Corps™ Wheels

For Use With 3" and 4" Diameter Cut-Off Wheel Tools

3M Co. Green Corps™ Cut-Off Wheels

### 3" (76 mm) DIAMETER

Part Number	Thickness Inch (mm)	Hole Dia. Inch (mm)
94910	1/16 (2)	3/8 (10)

### 4" (102 mm) DIAMETER

Part Number	Thickness Inch (mm)	Hole Dia. Inch (mm)
94911	1/32 (1)	3/8 (10)



Green Corps is a registered trademark of 3M Company.

## DynaZip Accessories

### REPLACEMENT ZIP WIRE WHEELS

NOTE: Wire wheels only; no hub included.

Part No.	Size	Grade	Band	Tip Type
92245	4" dia. x 3/4" wide	Coarse	Black	Bent
92246	4" dia. x 3/4" wide	Medium	Blue	Bent
92247	4" dia. x 3/4" wide	Fine	Green	Straight
92248	4" dia. x 1/2" wide	Medium	Blue	Bent
92249	4" dia. x 1/2" wide	Fine	Green	Straight



### REPLACEMENT ZIP WIRE WHEEL HUB ASSEMBLIES

#### Part Number 92252

- 1/2" wide zip wheel hub; includes long screw, locking washer and wrench. Mounts the 1/2" wide zip wire wheels.

#### Part Number 92253

- 3/4" wide zip wheel hub; includes short screw, locking washer and wrench. Mounts the 3/4" wide zip wire wheels; also mounts the 92250 Zip-Eraser Decal Removal Wheel.

### ZIP-ERASER DECAL REMOVAL WHEEL

#### 92250 Eraser Wheel

- Zip-Eraser Decal Removal Wheel (wheel only, no hub).

#### 92251 Eraser Wheel with Hub

- Zip-Eraser Decal Removal Wheel (includes 92253 mated 3/4" Wide Hub).



**Abrasive:** Sanding medium, such as sandpaper or abrasive disc

**Air Pressure:** Amount of compressed air that can be sustained in a system

**Buffer:** Tool used with buffing pad and compound to refine scratches on work surface

**Buff Pad:** Used on the buffer, this can be made of wool, foam, synthetic, or a combination

**Catalyst:** Substance added to gel coat or resin to initiate curing process

**Central Vacuum System:** Outside source connected to tool, to aid in dust extraction effort

**Chop Strand:** The most adhesive, water-tight and easily molded fiberglass form

**Closed Molding:** Molding process using two matched molds to provide a useable inside and outside surface

**Compound:** Used on buffing pad to refine scratch marks after sanding. This usually contains small amounts of grit to achieve desired effect

**Curing:** Process of transforming a liquid resin to a solid

**Dual Action (D/A):** Action of tool as it spins in a circle along with an elliptical motion

**Dust extraction:** The ability to remove dust particles generated by the sanding operation

**Dykem:** Blue coloring applied to part that identifies where sanding is needed or has already been performed

**Fiberglass Cloth:** Fabric cloth of high flexural and tensile strength; used with resin to make many products

**Filler/Bondo:** General patching compound used to cover imperfections or build up low areas

**FRP:** Fiber reinforced plastics

**Gel Coat:** Thin layer or outer shell of the part, usually 20 to 30 mils thick. Provides cosmetic enhancement and environmental protection of fiberglass laminate

**Glaze:** Final finish applied to surface to enhance the shine

**Grit:** Granules of abrasive attached to a backing material. Grits range from coarse to ultra fine, and proper use is determined by application

**Hand Lay-Up:** Placing reinforcement materials and resin onto mold by hand

**Hook Abrasive:** Abrasive that attaches to sanding pad by means of hook-and-loop system

**Lamination:** Process by which fiberglass is set into the mold to form the part

**Offset:** Similar to throw, in that the pad is not running in a rotary motion

**Open Molding:** Provides a finished, dimensionally accurate surface upon which the lay-up can be placed

**Orbit:** Another term for both the throw and elliptical action of the tool

**Orbital Sander:** Tool used to refine scratch marks in mold or final product

**Mold Shop:** The department where the reverse of the part is formed and maintained

**“Mud Hog”:** Low RPM, high-torque tool used to remove heavy or large amounts of material

**Pad:** Flat-surfaced product to which abrasive is affixed

**Patching:** Process of refining or fixing surface imperfection in the final part; see sanding sequence

**Pig Tail:** Heavier swirl mark left in the product, due to improper use of sandpaper or offset of orbital sander

**Print-Through:** Situation in which the texture of the fiberglass cloth remains visible through the surface of the finished part

**PSA:** Pressure sensitive adhesive, usually referring to backing of a sanding disc

**Radial:** Moving in a circular or rotary motion

**Random Orbital Sander:** Sander that moves pad and abrasive in a random orbital motion, to avoid creating visible sanding pattern or swirl marks

**Resin:** Chemical applied to fiberglass, to give it strength by surrounding and holding fibers

**RPM:** Revolutions per minute; how fast a part is rotating

**Sanding Sequence:** System determined by the operator to impart a desired finish on the final product. Typically requires use of several abrasives, each of increasingly finer grit

**Self-Generating Vacuum:** Tool's ability to generate a vortex or cyclonic effect to remove dust particles, without use of outside vacuum source

**Small Parts:** Area where smaller parts are made. These are usually added to the main product

**Styrene:** Unsaturated hydrocarbon used in plastics. Serves as a solvent and co-reactant in the curing process

**Swirl Mark:** Radial mark left on surface; usually caused by use of incorrect pad or compound, and/or improper speed of tool

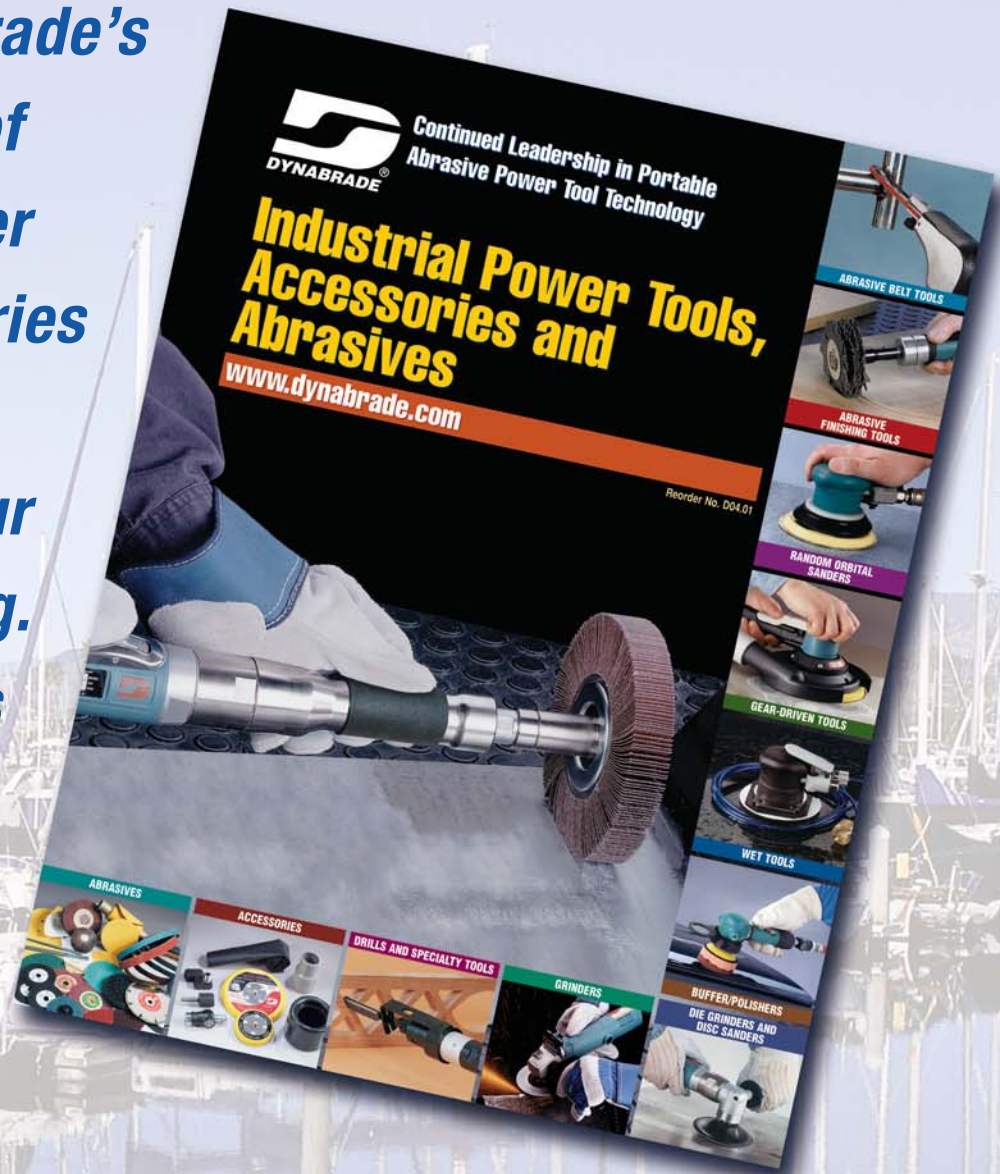
**Throw:** Amount of elliptical motion determined by the counterweight in the tool

**Tooling:** Where the master or plug of the part is designed. This is used to make the mold

**Volume:** Flow of air to tool

**Wet-Out:** Saturation of material with resin; rate and speed of saturation is key factor in effective molding

**To view Dynabrade's complete line of Industrial Power Tools, Accessories and Abrasives, please order our General Catalog. Over 100 pages of information!**



**DYNABRADE... CONTINUED LEADERSHIP IN PORTABLE ABRASIVE POWER TOOL TECHNOLOGY**



**DYNABRADE, INC.**

8989 Sheridan Drive • Clarence, New York 14031-1490 • Phone: (716) 631-0100  
 Fax: 716-631-2073 • US Consumers Call Toll Free: 1-800-828-7333

**DYNABRADE INTERNATIONAL**

8989 Sheridan Drive • Clarence, New York 14031-1490 • Phone: (716) 631-0100  
 Fax: 716-631-2524 • Canadian Consumers Call Toll Free: 1-800-344-1488

**DYNABRADE EUROPE S.à.r.l.**

Zone Artisanale • L-5485 Wormeldange-Haut, Luxembourg  
 Phone: +352 768 494 1 • Fax: +352 768 495

**DYNABRADE DO BRASIL**

Rua Mário Fongaro • 421 - Vila Marlene • São Bernardo do Campo  
 SP - CEP 09732-530 • Telefax: (11) 4124-6040

**Visit our Website for More Information:  
[www.dynabrade.com](http://www.dynabrade.com)**

**Try Our U.S. Consumer Toll Free Number  
 1-888 DYNABRADE (or 1-800-828-7333)**

**DISTRIBUTED BY:**



©DYNABRADE, INC., 2006 • PRINTED IN U.S.A.  
 D04.22\_Rev. 3\_7/06

