

▼ Shown from left to right: RCH-306, RCH-120, RCH-1003

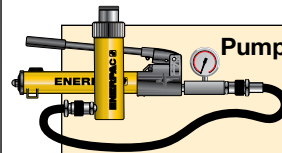


- Hollow plunger design allows for both pull and push forces
- Single-acting spring return
- Nickel-plated, floating center tube on models over 20 tons increases product life
- Baked enamel finish for increased corrosion resistance
- Collar threads for easy fixturing
- RCH-120 includes AR-630 coupler and has 1/4 NPTF port
- RCH-121 and RCH-1211 have FZ-1630 reducer and AR-630 coupler, all other models feature CR-400 coupler

▼ Hollow plunger cylinder RCH-1003 used in an application for intermediate boom suspension on a dragline.



## Versatility in Testing, Maintenance and Tensioning Applications



### Pump and Cylinder Sets

All cylinders marked with an \* are available as sets (cylinder, gauge, couplers, hose and pump) for your ordering convenience.

Page: 54



### Lightweight Aluminum Hollow Plunger Cylinders

If you need a higher cylinder capacity-to-weight ratio the lightweight RACH-Series

Aluminum Hollow Plunger Cylinders are the perfect choice.

Page: 16



### Saddles

Most RCH-Series cylinders are equipped with smooth saddles. See table at next page for optional threaded saddles and all dimensional information.

Page: 27

Cylinder Capacity	Stroke	Model Number	Cyl. Effect. Area	Oil Cap.
(tons) [maximum]	(in)		(in <sup>2</sup> )	(in <sup>3</sup> )
12 [13.8]	0.31	RCH-120	2.76	0.86
	1.63	RCH-121*	2.76	4.49
	1.63	RCH-1211	2.76	4.49
	3.00	RCH-123	2.76	8.29
20 [23.6]	2.00	RCH-202*	4.73	9.46
	6.10	RCH-206	4.73	28.67
30 [36.1]	2.50	RCH-302*	7.22	18.05
	6.13	RCH-306	7.22	44.23
60 [63.6]	3.00	RCH-603*	12.73	38.20
	6.00	RCH-606	12.73	76.41
100 [103.1]	3.00	RCH-1003*	20.63	61.88

\* Available as a set. See note on this page.

# Single-Acting, Hollow Plunger Cylinders

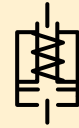


## Hoses

Enerpac offers a complete line of high quality hydraulic hoses. To ensure the integrity of your system, specify only Enerpac hydraulic hoses.

Page: 114

## RCH Series



Capacity:

**12-100 tons**

Stroke:

**.31-6.13 inches**

Center Hole Diameter:

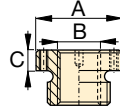
**.77-3.11 inches**

Maximum Operating Pressure:

**10,000 psi**

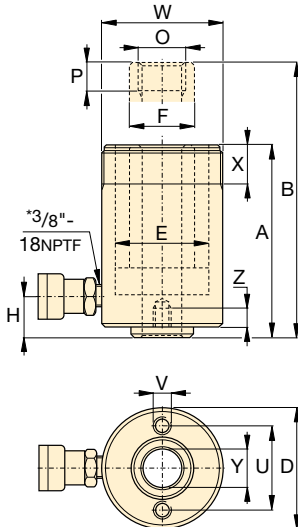
### Optional Heat Treated Hollow Saddles

Saddle Type	Cylinder Model No.	Saddle Model No.	Saddle Dimensions (in)		
			A	B	C
Threaded Hollow	RCH-202, 206	HP-2015	2.11	1"-8	.38
	RCH-302, 306	HP-3015	2.49	1¼"-7	.38
	RCH-603, 606	HP-5016	3.61	1½"-5½"	.50
	RCH-1003	HP-10016	4.97	2½"-8	.51

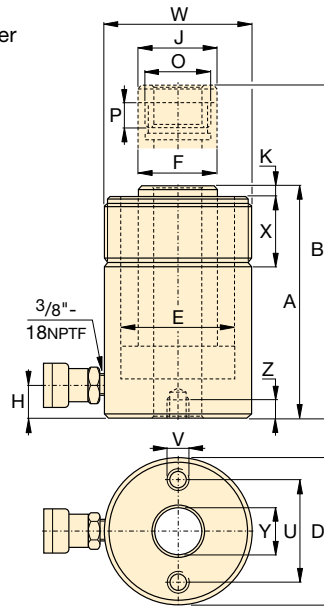


Smooth hollow saddles are standard on all RCH-models (12-ton models are not equipped with saddles).

RCH-121 and RCH-1211 have a 1.88" diameter boss that protrudes 0.25" from base.



RCH-120 to RCH-123 models



RCH-202 to RCH-1003 models

\* 1/4" NPT for RCH-120 only

### Base Mounting Hole Dimensions (in)

Model Number	Bolt Circle			Thread	Thread Depth
	U	V	Z		
RCH-120	2.00	5/16"-18 UNC	.35		
RCH-121	-	-	-		
RCH-1211	-	-	-		
RCH-123	2.00	5/16"-18 UNC	.50		
RCH-202	3.25	3/8"-16 UNC	.37		
RCH-206	3.25	3/8"-16 UNC	.37		
RCH-302	3.63	3/8"-16 UNC	.55		
RCH-306	3.63	3/8"-16 UNC	.55		
RCH-603	5.13	1/2"-13 UNC	.55		
RCH-606	5.13	1/2"-13 UNC	.55		
RCH-1003	7.00	5/8"-11 UNC	.75		

Collap. Height	Ext. Height	Outside Diam.	Cyl. Bore Diam.	Plngr. Diam.	Cyl. Base to Advance Port	Saddle Diameter	Saddle Protrusion from Plngr.	Plunger Internal Thread	Plunger Thread Length	Collar Thread	Collar Thread Length	Center Hole Diam.	Weight	Model Number
A (in)	B (in)	D (in)	E (in)	F (in)	H (in)	J (in)	K (in)	O (in)	P (in)	W (in)	X (in)	Y (in)	(lbs)	
2.19	2.50	2.75	2.13	1.38	.38	-	-	3/4"-16 UN	.63	2¾"-16	1.19	.77	3.2	RCH-120
4.75	6.38	2.75	2.13	1.38	.98	-	-	-	-	2¾"-16	1.19	.77	6.2	RCH-121*
4.75	6.38	2.75	2.13	1.38	.98	-	-	3/4"-16 UN	.63	2¾"-16	1.19	.77	6.2	RCH-1211
7.25	10.25	2.75	2.13	1.38	.98	-	-	-	-	2¾"-16	1.19	.77	9.8	RCH-123
6.38	8.38	3.88	2.88	2.13	.75	2.13	.27	19/16"-16 UN	.75	37/8"-12	1.50	1.06	17	RCH-202*
12.05	18.11	3.88	2.88	2.13	.75	2.13	.27	19/16"-16 UN	.75	37/8"-12	1.50	1.06	31	RCH-206
7.03	9.53	4.50	3.50	2.50	.85	2.50	.38	113/16"-16 UN	.88	4½"-12	1.66	1.31	24	RCH-302*
13.00	19.13	4.50	3.50	2.50	1.00	2.50	.38	113/16"-16 UN	.88	4½"-12	1.66	1.31	48	RCH-306
9.75	12.75	6.25	4.88	3.63	1.25	3.61	.50	2¾"-16 UN	.75	6¼"-12	1.91	2.12	62	RCH-603*
12.75	18.75	6.25	4.88	3.63	1.25	3.61	.50	2¾"-16 UN	.75	6¼"-12	1.91	2.12	78	RCH-606
10.00	13.00	8.38	6.50	5.00	1.50	4.97	.50	4"-16 UN	1.00	87/8"-12	2.38	3.11	132	RCH-1003*