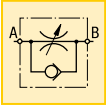


Max. Flow: 38 l/min

Pressure: 0 - 350 bar

- E** Válv. reguladoras de caudal
- F** Valves de control débit
- D** Stromregelventile



## Regulate the flow of oil

- Poppet valve design for zero leakage
- Color coded flow indicator
- Free flow return
- Fine metering capability
- Lockable
- Standard Viton seals

Shown: VFC-1



## Options

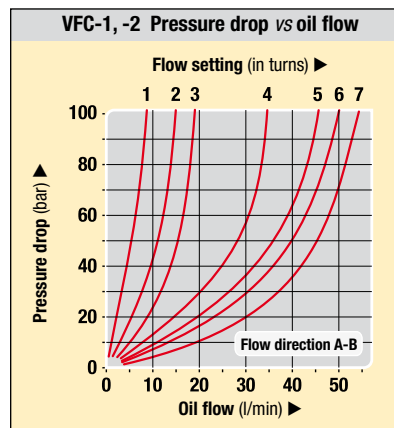
### Fittings

194 ▶



### High pressure filters

193 ▶



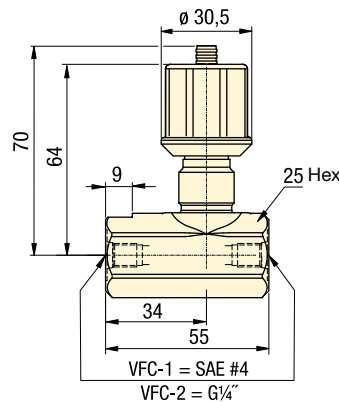
## VFC-series

Provide repeatable oil flow control. The internal check valve allows metered flow in one direction and free flow in the opposite direction. Precise control is achieved with a micro-meter style adjustment knob, which can be locked with the set screw.

### Application

Use VFC-series flow control valves in-line with the Enerpac WE-series workholding pump to protect your components from damage due to high flow rates.

VFC-1, -2



## Product selection

Maximum oil flow	Pressure range	Oil ports	Model number	Flow path	Maximum pressure drop	
l/min	bar				bar	kg
<b>▼ Flow control valves</b>						
38	0-350	SAE#4	VFC-1		105	0,8
38	0-350	G 1/4"	VFC-2		105	0,8

Seal material: Viton

www.enerpacwh.com

■ In-line installation of a VFC-1 flow control valve.

