

**Exposed Ratchet Type  
No. 00-R**

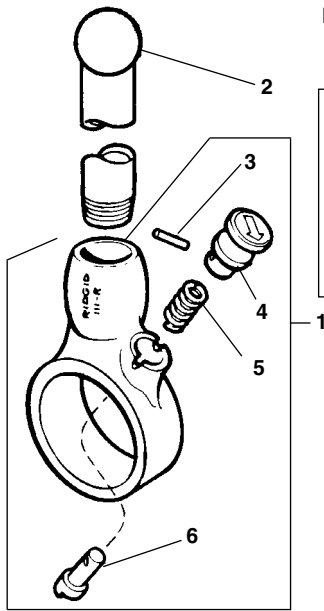
Capacity: 1/8" through 1"

**No. 111-R**

Capacity: 1/8" through 1 1/4"

**No. 12-R**

Capacity: 1/8" through 2"

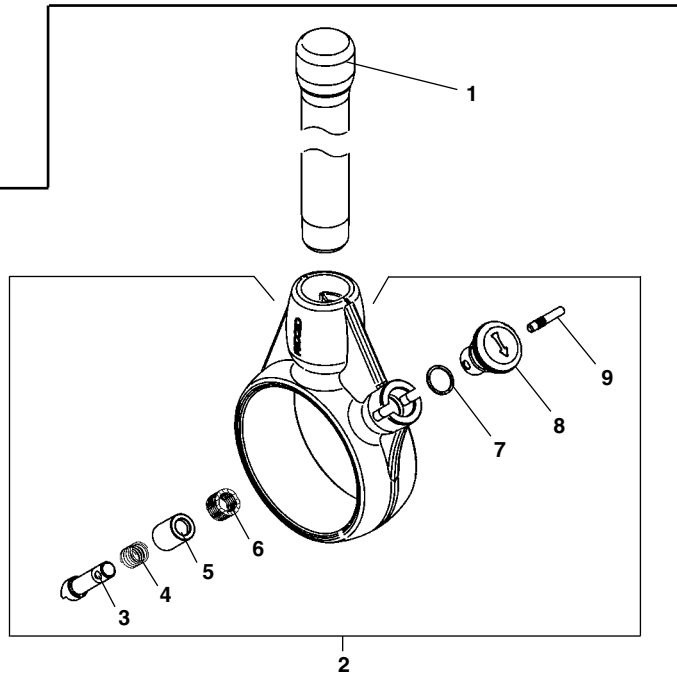


NOTE: Order parts by Catalog Number only.  
DO NOT order by Reference Number.

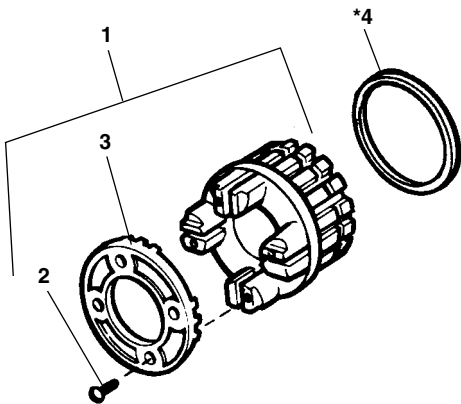
| Ref. No. | Description                 | 00-R        | 111-R       | 12-R        |
|----------|-----------------------------|-------------|-------------|-------------|
|          |                             | Catalog No. | Catalog No. | Catalog No. |
| —        | Ratchet and Handle Assembly | 38540       | 38550       | 38555       |
| 1        | Ratchet Assembly            | 38565       | 38575       | 38580       |
| 2        | Handle                      | 38590       | 38585       | 38585       |
| 3        | Pin                         | 38705       | 38705       | 38705       |
| 4        | Knob                        | 38700       | 38700       | 38700       |
| 5        | Spring                      | 16953       | 16953       | 16953       |
| 6        | Pawl                        | 38690       | 38690       | 38690       |

**12-R Type 2 Ratchet and Handle**

| Ref. No. | Catalog No. | Description               |
|----------|-------------|---------------------------|
| —        | 38555       | Ratchet & Handle Assembly |
| 1        | 38585       | Handle                    |
| 2        | 12238       | Ratchet Assembly          |
| 3        | 16033       | Pawl                      |
| 4        | 16028       | Compression Spring        |
| 5        | 16023       | Sleeve                    |
| 6        | 16018       | Spring Wave Washer        |
| 7        | 16403       | Retaining Ring            |
| 8        | 16038       | Knob                      |
| 9        | 95085       | Pawl Pin                  |



**Die Head Assembly**



\* Used on early models

| Ref. No. | Description                     | Capacity    |             |             |        |
|----------|---------------------------------|-------------|-------------|-------------|--------|
|          |                                 | 00-R        | 12-R        | 12-R IMC    |        |
|          |                                 | Catalog No. | Catalog No. | Catalog No. |        |
| 1        | Die Head w/Cover Plate & Screws | 1/8"        | 38710       | 38890       | —      |
|          |                                 | 1/4"        | 38730       | 38900       | —      |
|          |                                 | 3/8"        | 38740       | 38905       | —      |
|          |                                 | 1/2"        | 38755       | 38910       | 94060  |
|          |                                 | 3/4"        | 38765       | 38915       | 94065  |
|          |                                 | 1"          | 38775       | 38920       | 94070  |
|          |                                 | 1 1/4"      | —           | 38925       | 94075  |
|          |                                 | 1 1/2"      | —           | 38930       | 94080  |
| 2        | Cover Plate Screw (4)           | 1/8"-1/4"   | 38720       | 38720       | —      |
|          |                                 | 3/8"-1 1/4" | 38750       | 38750       | 38750  |
|          |                                 | 1 1/2"-2"   | —           | 38940       | 38940  |
| 3        | Cover Plate                     | 1/8"        | 38715       | 38715       | —      |
|          |                                 | 1/4"        | 38735       | 38735       | —      |
|          |                                 | 3/8"        | 38745       | 38745       | —      |
|          |                                 | 1/2"        | 38760       | 38760       | 38760  |
|          |                                 | 3/4"        | 38770       | 38770       | 38770  |
|          |                                 | 1"          | 38780       | 38780       | 38780  |
|          |                                 | 1 1/4"      | —           | 38880       | 38880  |
|          |                                 | 1 1/2"      | —           | 38935       | 38935  |
|          |                                 | 2"          | —           | 38950       | 38950  |
|          |                                 | 4           | Spring Ring | *38725      | *38895 |