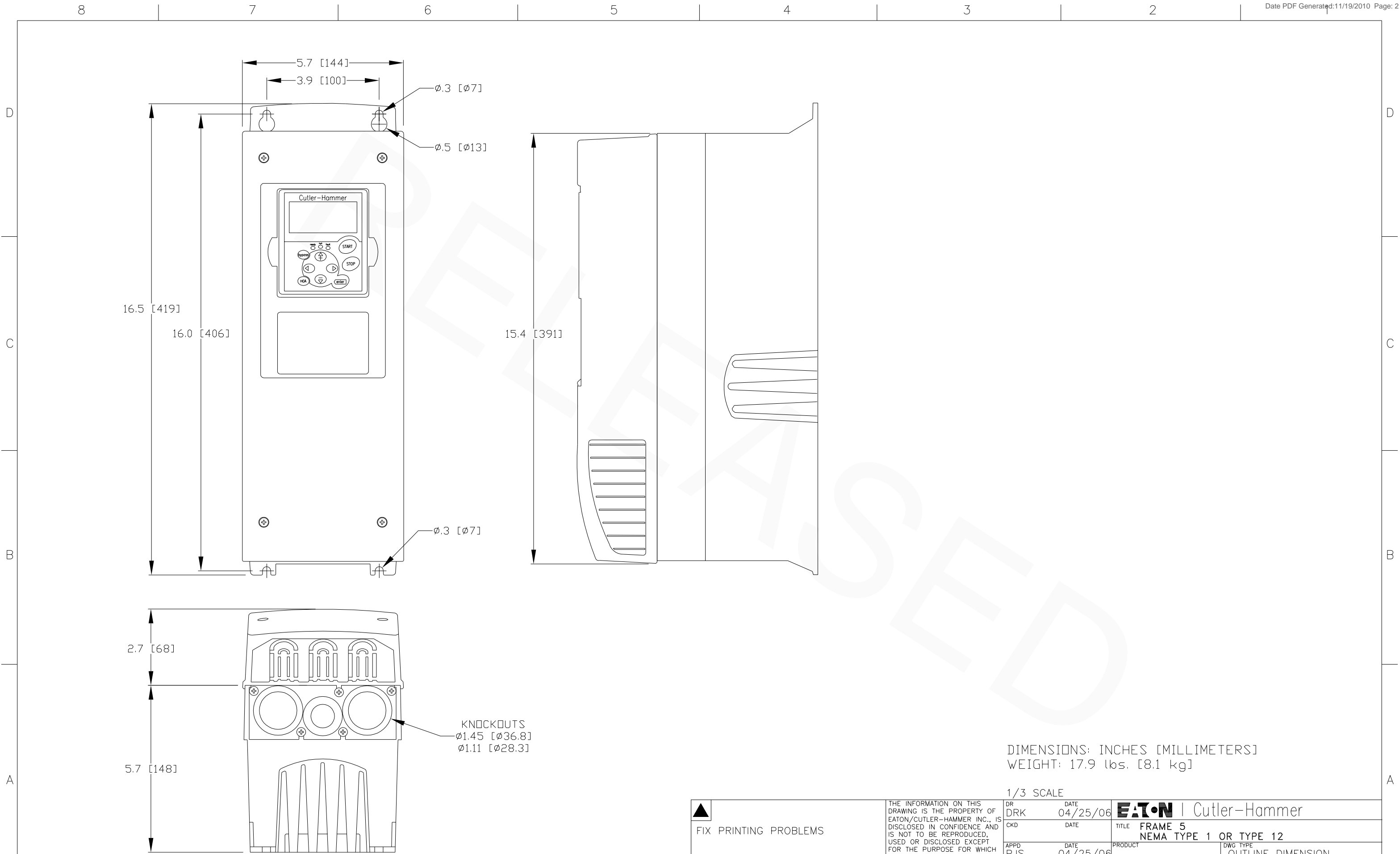


DIMENSIONS: INCHES [MILLIMETERS]
 WEIGHT: 11 lbs. [5 kg]

1/3 SCALE

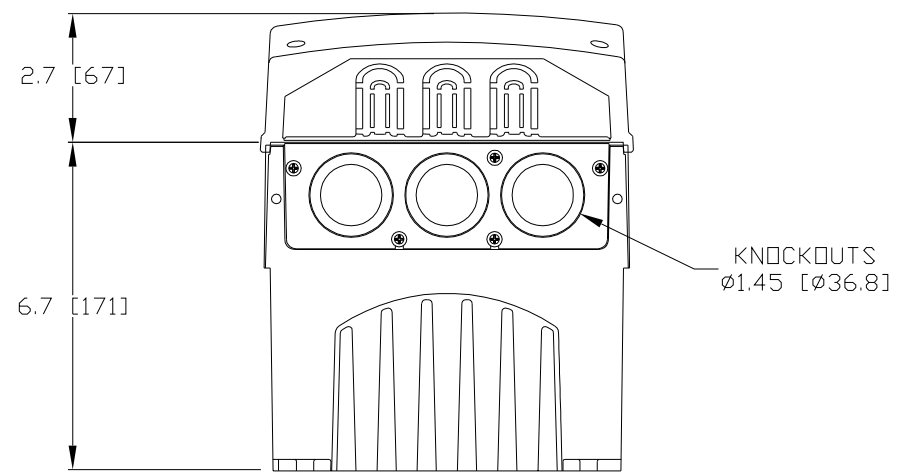
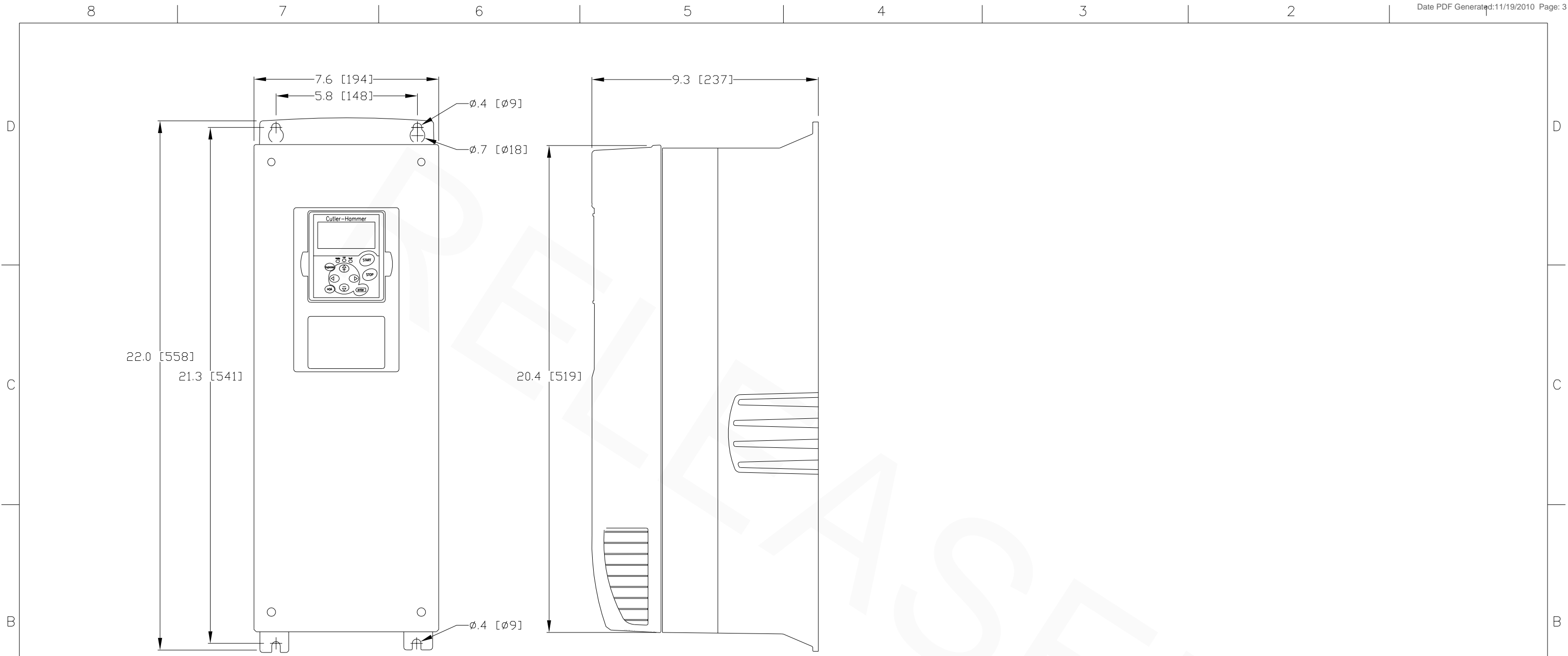
 THIRD ANGLE PROJECTION	FILE TYPE AutoCAD	.DWG FILENAME 100-009010	DWG. SIZE B	DR	DATE	Cutler-Hammer
				DRK	04/25/06	
				CKD	DATE	TITLE
				PJS	04/25/06	FRAME 4 NEMA TYPE 1 OR TYPE 12
				APPD	DATE	PRODUCT
				PJS	04/25/06	OUTLINE DIMENSION
				ECO NUMBER	REVISION	G.O. NUMBER
				8809	06	DWG NO. 100-009010-0004
						SHEET 1 OF 1



DIMENSIONS: INCHES [MILLIMETERS]
 WEIGHT: 17.9 (lbs. [8.1 kg])

1/3 SCALE

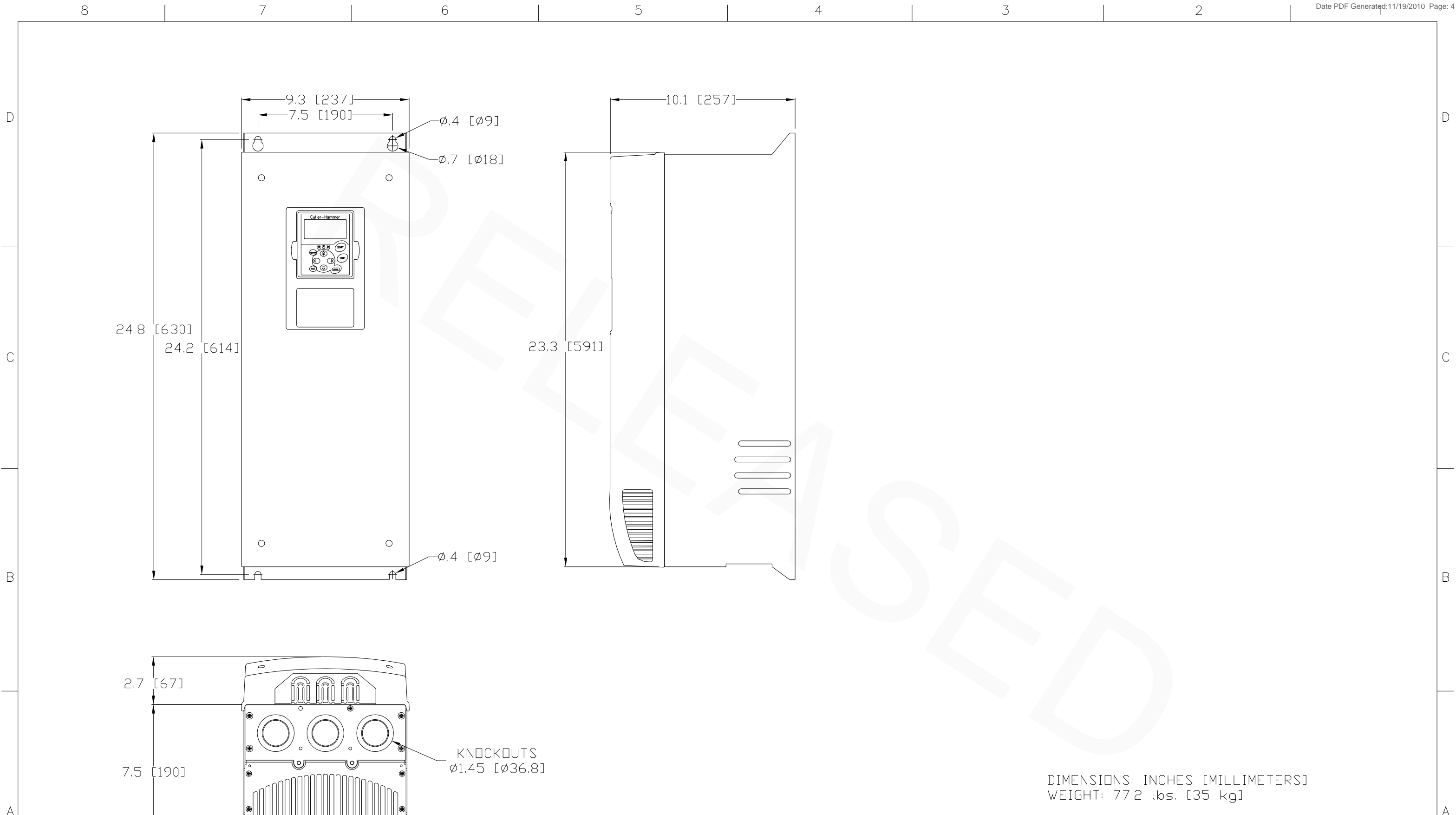
 THIRD ANGLE PROJECTION	THE INFORMATION ON THIS DRAWING IS THE PROPERTY OF EATON/CUTLER-HAMMER INC., IS DISCLOSED IN CONFIDENCE AND IS NOT TO BE REPRODUCED, USED OR DISCLOSED EXCEPT FOR THE PURPOSE FOR WHICH FURNISHED.	DR	DATE	Cutler-Hammer	
		DRK	04/25/06		
FIX PRINTING PROBLEMS		CKD	DATE	TITLE	
		PJS	04/25/06	FRAME 5 NEMA TYPE 1 OR TYPE 12	
FILE TYPE AutoCAD	.DWG FILENAME 100-009010	DWG. SIZE B	ECO NUMBER 8809	REVISION 06	PRODUCT OUTLINE DIMENSION
			G.O. NUMBER	DWG. NO.	SHEET
				100-009010-0005	1 OF 1



DIMENSIONS: INCHES [MILLIMETERS]
 WEIGHT: 40.8 lbs. [18.5 kg]

1/4 SCALE

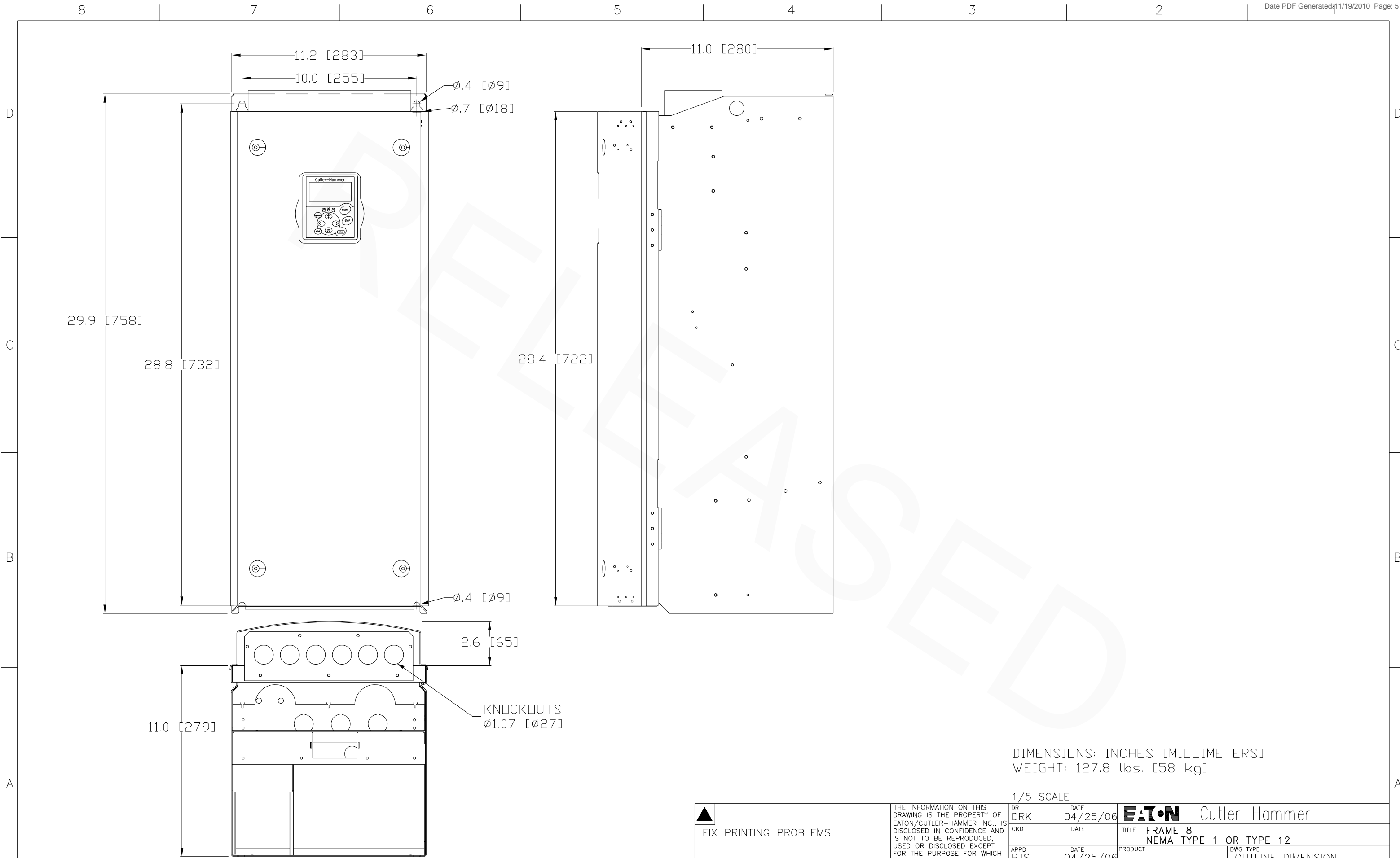
 THIRD ANGLE PROJECTION	FIX PRINTING PROBLEMS	THE INFORMATION ON THIS DRAWING IS THE PROPERTY OF EATON/CUTLER-HAMMER INC., IS DISCLOSED IN CONFIDENCE AND IS NOT TO BE REPRODUCED, USED OR DISCLOSED EXCEPT FOR THE PURPOSE FOR WHICH FURNISHED.		DR DRK	DATE 04/25/06	EATON Cutler-Hammer	
		CKD	DATE	TITLE FRAME 6 NEMA TYPE 1 OR TYPE 12	PRODUCT	DWG TYPE OUTLINE DIMENSION	
APPD PJS	DATE 04/25/06	ECO NUMBER 8809	REVISION 06	G.O. NUMBER	DWG NO. 100-009010-0006	SHEET 1 OF 1	FILE TYPE AutoCAD



DIMENSIONS: INCHES [MILLIMETERS]
 WEIGHT: 77.2 lbs. [35 kg]

1/5 SCALE

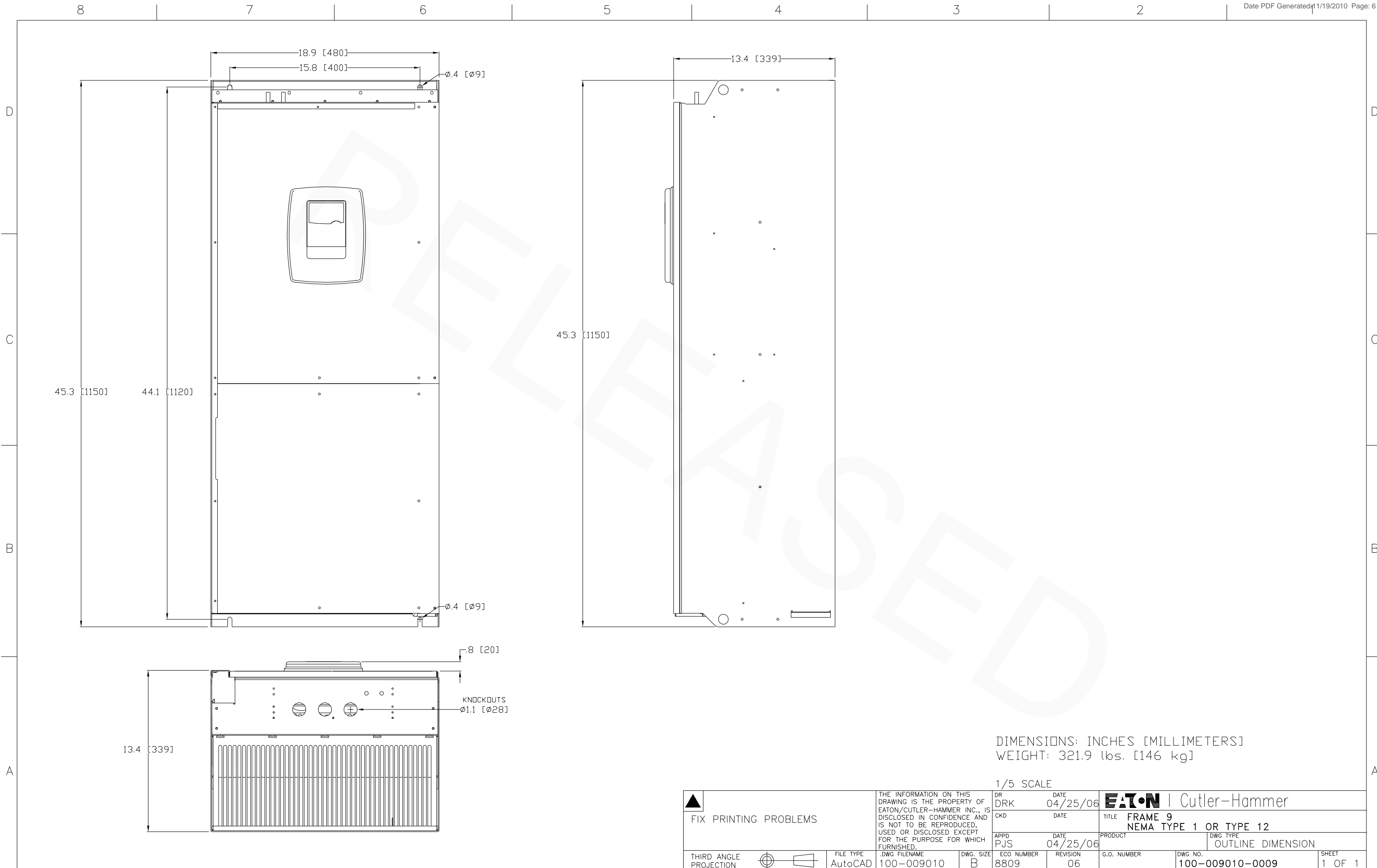
 THIRD ANGLE PROJECTION	FIX PRINTING PROBLEMS	THE INFORMATION ON THIS DRAWING IS THE PROPERTY OF EATON/CUTLER-HAMMER INC., IS DISCLOSED IN CONFIDENCE AND IS NOT TO BE REPRODUCED, USED OR DISCLOSED EXCEPT FOR THE PURPOSE FOR WHICH FURNISHED.		DR DRK	DATE 04/25/06	EATON Cutler-Hammer	
		CKD	DATE	TITLE FRAME 7 NEMA TYPE 1 OR TYPE 12	PRODUCT	DWG TYPE OUTLINE DIMENSION	
APPD PJS	DATE 04/25/06	ECO NUMBER 8809	REVISION 06	G.O. NUMBER	DWG NO. 100-009010-0007	SHEET 1 OF 1	FILE TYPE AutoCAD



DIMENSIONS: INCHES [MILLIMETERS]
 WEIGHT: 127.8 lbs. [58 kg]

1/5 SCALE

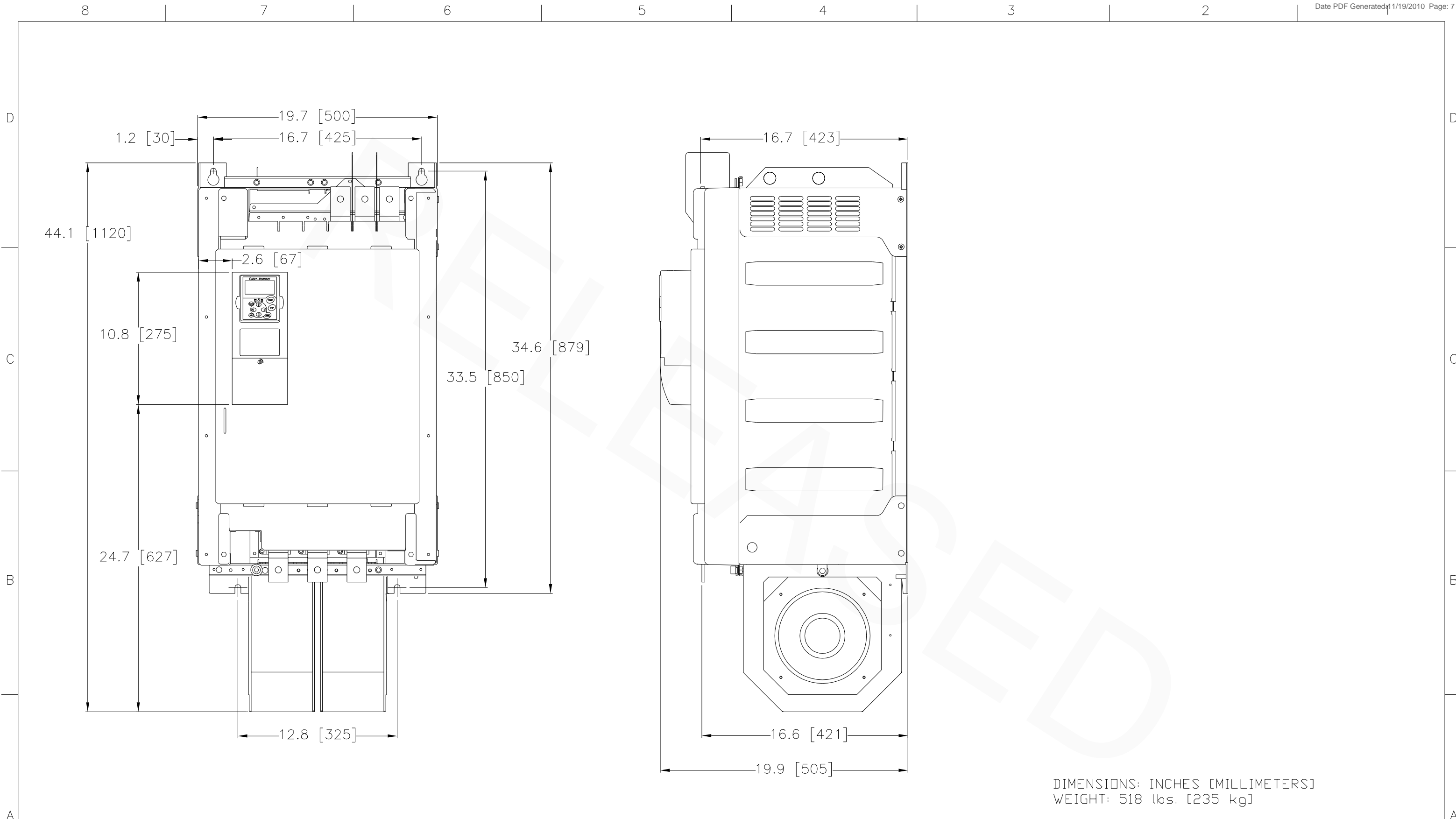
 THIRD ANGLE PROJECTION	FIX PRINTING PROBLEMS	THE INFORMATION ON THIS DRAWING IS THE PROPERTY OF EATON/CUTLER-HAMMER INC., IS DISCLOSED IN CONFIDENCE AND IS NOT TO BE REPRODUCED, USED OR DISCLOSED EXCEPT FOR THE PURPOSE FOR WHICH FURNISHED.	DR	DATE	 Eaton Cutler-Hammer
			DRK	04/25/06	
			CKD	DATE	TITLE
					FRAME 8
			APPD	DATE	PRODUCT
			PJS	04/25/06	NEMA TYPE 1 OR TYPE 12
			ECO NUMBER	REVISION	DWG TYPE
			8809	06	OUTLINE DIMENSION
			G.O. NUMBER	DWG NO.	SHEET
				100-009010-0008	1 OF 1



DIMENSIONS: INCHES [MILLIMETERS]
 WEIGHT: 321.9 lbs. [146 kg]

1/5 SCALE

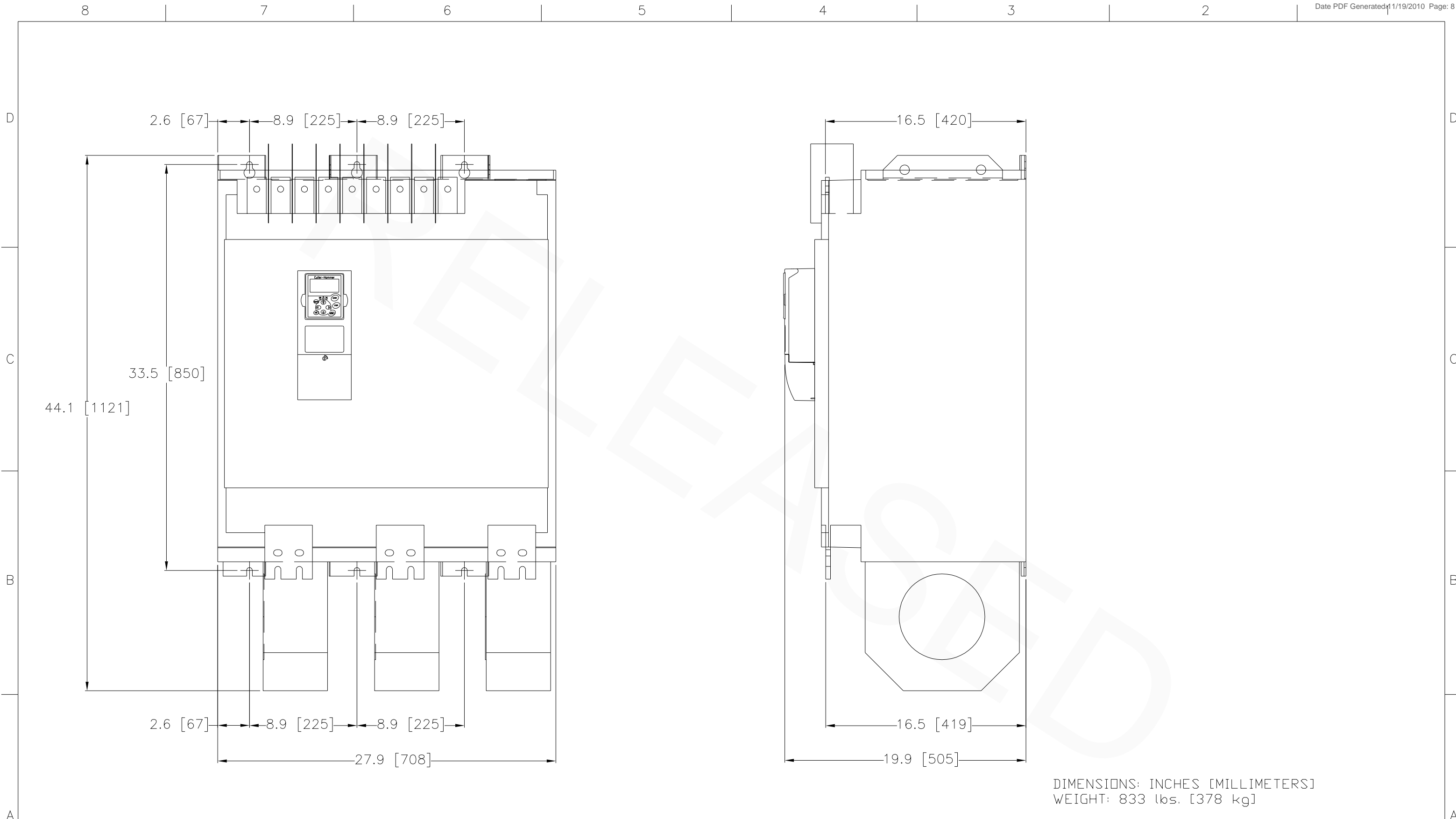
 THIRD ANGLE PROJECTION	FIX PRINTING PROBLEMS	THE INFORMATION ON THIS DRAWING IS THE PROPERTY OF EATON/CUTLER-HAMMER INC., IS DISCLOSED IN CONFIDENCE AND IS NOT TO BE REPRODUCED, USED OR DISCLOSED EXCEPT FOR THE PURPOSE FOR WHICH FURNISHED.	DR	DATE	Cutler-Hammer
			DRK	04/25/06	
			CKD	DATE	TITLE
			PJS	04/25/06	FRAME 9 NEMA TYPE 1 OR TYPE 12
			APPD	DATE	PRODUCT
					OUTLINE DIMENSION
			ECO NUMBER	REVISION	G.O. NUMBER
			100-009010	06	
			DWG. SIZE	DWG. NO.	SHEET
			B	100-009010-0009	1 OF 1



DIMENSIONS: INCHES [MILLIMETERS]
 WEIGHT: 518 lbs. [235 kg]

1/5 SCALE

FIX PRINTING PROBLEMS	THE INFORMATION ON THIS DRAWING IS THE PROPERTY OF EATON/CUTLER-HAMMER INC., IS DISCLOSED IN CONFIDENCE AND IS NOT TO BE REPRODUCED, USED OR DISCLOSED EXCEPT FOR THE PURPOSE FOR WHICH FURNISHED.		DR DATE DRK 04/25/06	EATON Cutler-Hammer				
	CKD DATE	TITLE FRAME 10 OPEN CHASSIS	APPD DATE PJS 04/25/06	PRODUCT OUTLINE DIMENSION	DWG TYPE	SHEET 1 OF 1		
THIRD ANGLE PROJECTION		FILE TYPE AutoCAD	.DWG FILENAME 100-009010	DWG. SIZE B	ECO NUMBER 8809	REVISION 06	G.O. NUMBER 100-009010-0010	DWG NO.



DIMENSIONS: INCHES [MILLIMETERS]
 WEIGHT: 833 (lbs. [378 kg])

1/5 SCALE

 THIRD ANGLE PROJECTION	FIX PRINTING PROBLEMS	THE INFORMATION ON THIS DRAWING IS THE PROPERTY OF EATON/CUTLER-HAMMER INC., IS DISCLOSED IN CONFIDENCE AND IS NOT TO BE REPRODUCED, USED OR DISCLOSED EXCEPT FOR THE PURPOSE FOR WHICH FURNISHED.		DR DRK	DATE 04/25/06	 Eaton Cutler-Hammer	TITLE FRAME 11 OPEN CHASSIS	
		FILE TYPE AutoCAD	.DWG FILENAME 100-009010	DWG. SIZE B	ECO NUMBER 8809		REVISION 06	PRODUCT PJS
						G.O. NUMBER	DWG NO. 100-009010-0011	SHEET 1 OF 1