



OWNER'S MANUAL JDP-17FSE JET Drill Press



WMH TOOL GROUP

Consumer/Light Industrial Products Division
P.O. BOX 1349
Auburn, WA 98071-1349
Ph: 1-800-274-6848 • Fax: 1-800-274-6840
E-mail: jet@wmhtoolgroup.com
www.wmhtoolgroup.com

M-354171 11/02
Copyright © WMH Tool Group

This manual has been prepared for the owner and operators of a JDP-17FSE Drill Press. Its purpose, aside from machine operation, is to promote safety through the use of accepted correct operating and maintenance procedures. Completely read the safety and maintenance instructions before operating or servicing the machine. To obtain maximum life and efficiency from your JET Drill Press, and to aid in using the machine safely, read this manual thoroughly and follow instructions carefully.

Warranty & Service

The WMH Tool Group warrants every product it sells. If one of our tools needs service or repair, one of our Authorized Repair Stations located throughout the United States can give you quick service.

In most cases, any one of these WMH Tool Group Repair Stations can authorize warranty repair, assist you in obtaining parts, or perform routine maintenance and major repair on your JET, Performax, Wilton, or Powermatic tools.

For the name of an Authorized Repair Station in your area, please call 1-800-274-6848, or visit www.wmhtoolgroup.com

More Information

Remember, the WMH Tool Group is consistently adding new products to the line. For complete, up-to-date product information, check with your local WMH Tool Group distributor, or visit www.wmhtoolgroup.com

WMH Tool Group Warranty

The WMH Tool Group (including Performax, Wilton and Powermatic brands) makes every effort to assure that its products meet high quality and durability standards and warrants to the original retail consumer/purchaser of our products that each product be free from defects in materials and workmanship as follow: 1 YEAR LIMITED WARRANTY ON ALL PRODUCTS UNLESS SPECIFIED OTHERWISE. This Warranty does not apply to defects due directly or indirectly to misuse, abuse, negligence or accidents, normal wear-and-tear, repair or alterations outside our facilities, or to a lack of maintenance.

THE WMH TOOL GROUP LIMITS ALL IMPLIED WARRANTIES TO THE PERIOD SPECIFIED ABOVE, FROM THE DATE THE PRODUCT WAS PURCHASED AT RETAIL. EXCEPT AS STATED HEREIN, ANY IMPLIED WARRANTIES OR MERCHANTABILITY AND FITNESS ARE EXCLUDED. SOME STATES DO NOT ALLOW LIMITATIONS ON HOW LONG THE IMPLIED WARRANTY LASTS, SO THE ABOVE LIMITATION MAY NOT APPLY TO YOU. THE WMH TOOL GROUP SHALL IN NO EVENT BE LIABLE FOR DEATH, INJURIES TO PERSONS OR PROPERTY, OR FOR INCIDENTAL, CONTINGENT, SPECIAL, OR CONSEQUENTIAL DAMAGES ARISING FROM THE USE OF OUR PRODUCTS. SOME STATES DO NOT ALLOW THE EXCLUSION OR LIMITATION OF INCIDENTAL OR CONSEQUENTIAL DAMAGES, SO THE ABOVE LIMITATION OR EXCLUSION MAY NOT APPLY TO YOU.

To take advantage of this warranty, the product or part must be returned for examination, postage prepaid, to an Authorized Repair Station designated by our office. Proof of purchase date and an explanation of the complaint must accompany the merchandise. If our inspection discloses a defect, we will either repair or replace the product, or refund the purchase price if we cannot readily and quickly provide a repair or replacement, if you are willing to accept a refund. We will return repaired product or replacement at WMH Tool Group's expense, but if it is determined there is no defect, or that the defect resulted from causes not within the scope of WMH Tool Group's warranty, then the user must bear the cost of storing and returning the product. This warranty gives you specific legal rights; you may also have other rights which vary from state to state.

The WMH Tool Group sells through distributors only. Members of the WMH Tool Group reserve the right to effect at any time, without prior notice, those alterations to parts, fittings, and accessory equipment which they may deem necessary for any reason whatsoever.

⚠ **WARNING**

Wear eye protection.

Always keep guards in place and in proper operating condition. Do not operate the machine without the guards for any reason.

Support workpiece adequately at all times during operation; maintain control of work at all times.

This drill press is designed and intended for use by properly trained and experienced personnel only. If you are not familiar with the proper and safe operation of a drill press, do not use until proper training and knowledge has been obtained.

- **REMOVE ADJUSTING KEYS AND WRENCHES.** Form a habit of checking to see that keys and adjusting wrenches are removed from the machine before turning it on.
- **KEEP THE WORK AREA CLEAN.** Cluttered areas and benches invite accidents.
- **DON'T USE IN A DANGEROUS ENVIRONMENT.** Don't use power tools in damp or wet locations, or expose them to rain. Keep work area well lighted.
- **KEEP CHILDREN AWAY.** All visitors should be kept a safe distance from the work area.
- **MAKE THE WORKSHOP KIDPROOF** with padlocks, master swatches, or by removing starter keys.
- **DON'T FORCE THE MACHINE.** It will do the job better and safer at the rate for which it was designed.
- **USE THE RIGHT TOOL.** Don't force a machine or attachment to do a job for which it was not designed.
- **USE THE PROPER EXTENSION CORD.** Make sure your extension cord is in good condition. When using an extension cord, be sure to use one heavy enough to carry the current your machine will draw. An undersized cord will cause a drop in the line voltage resulting in power loss and overheating. The table following shows the correct size to use depending on the cord length and nameplate ampere rating. If in doubt, use the next heavier gauge. Remember, the smaller the gauge number, the heavier the cord.

Total Length of Cord in Feet	
0-25	25-50
AWG	
16	14

- **WEAR PROPER APPAREL.** Do not wear loose clothing, gloves, neckties, rings, bracelets, or other jewelry which may get caught in moving parts. Non-slip footwear is recommended. Wear protective hair covering to contain long hair.
- **ALWAYS USE SAFETY GLASSES.** Also use face or dust masks if the cutting operation is dusty. Everyday eyeglasses only have impact resistant lenses; they are not safety glasses.
- **DON'T OVERREACH.** Keep proper footing and balance at all times.
- **MAINTAIN TOOLS WITH CARE.** Keep tools sharp and clean for best and safest performance. Follow instructions for lubricating and changing accessories.
- **ALWAYS DISCONNECT THE MACHINE FROM THE POWER SOURCE BEFORE SERVICING.**
- **REDUCE THE RISK OF UNINTENTIONAL STARTING.** Make sure the switch is in the off position before plugging in.

- **USE RECOMMENDED ACCESSORIES.** The use of accessories and attachments not recommended by JET may cause hazards or risk of injury to persons.
- **NEVER STAND ON A MACHINE.** Serious injury could occur if the machine is tipped.
- **CHECK DAMAGED PARTS.** Before further use of the machine, a guard or other part that is damaged should be carefully checked to determine that it will operate properly and perform its intended function - check for alignment of moving parts, binding of moving parts, breakage of parts, mounting, and any other conditions that may affect its operation. A guard or other part that is damaged should be properly repaired or replaced.
- **NEVER LEAVE THE MACHINE RUNNING UNATTENDED. TURN POWER OFF.** Don't leave the machine until it comes to a complete stop.
- **SOME DUST CREATED** by power sanding, sawing, grinding, drilling and other construction activities contains chemicals known to cause cancer, birth defects or other reproductive harm. Some examples of these chemicals are:
 - Lead from lead based paint
 - crystalline silica from bricks and cement and other masonry products, and
 - arsenic and chromium from chemically-treated lumber.
- Your risk from those exposures varies, depending on how often you do this type of work. To reduce your exposure to these chemicals: work in a well ventilated area, and work with approved safety equipment, such as those dust masks that are specifically designed to filter out microscopic particles
- **DO NOT** operate tool while under the influence of drugs, alcohol or any medication.
- **DO NOT** drill pieces of material that are too small to be safely supported.
- **WHEN** drilling a large workpiece, provide additional support at table height.
- **ADDITIONAL INFORMATION** regarding the safe and proper operation of this product is available from the National Safety Council, 1121 Spring Lake Drive, Itasca, IL 60143-3201, in the Accident Prevention Manual for Industrial Operations and also in the safety Data Sheets provided by the NSC. Please also refer to the American National Standards Institute ANSI 01.1 Safety Requirements for Woodworking Machinery and the U.S. Department of Labor OSHA 1910.213 Regulations.
- **SAVE THESE INSTRUCTIONS** refer to them often and use them to instruct others.

Grounding Instructions

Caution: This tool must be grounded while in use to protect the operator from electric shock.

In the event of a malfunction or breakdown, grounding provides a path of least resistance for electric current to reduce the risk of electric shock. This tool is equipped with an electric cord having an equipment-grounding conductor and a grounding plug. The plug must be plugged into a matching outlet that is properly installed and grounded in accordance with all local codes and ordinances.

Do not modify the plug provided. If it will not fit the outlet, have the proper outlet installed by a qualified electrician.

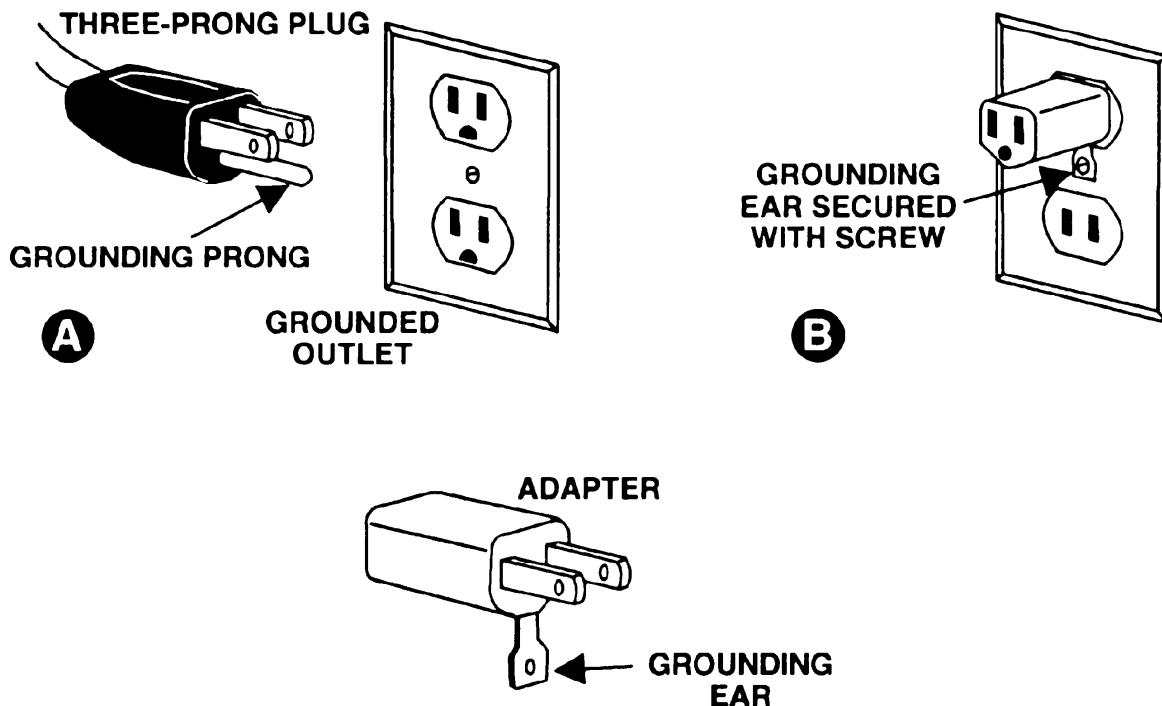
Improper connection of the equipment-grounding conductor can result in a risk of electric shock. The conductor, with insulation having an outer surface that is green with or without yellow stripes, is the equipment-grounding conductor. If repair or replacement of the electric cord or plug is necessary, do not connect the equipment-grounding conductor to a live terminal.

Check with a qualified electrician or service personnel if the grounding instructions are not completely understood, or if in doubt as to whether the tool is properly grounded. Use only three wire extension cords that have three-prong grounding plugs and three-pole receptacles that accept the tool's plug.

Repair or replace a damaged or worn cord immediately.

115 Volt Operation

As received from the factory, your drill press is ready to run at 115 volt operation. This drill press, when wired for 115 volt, is intended for use on a circuit that has an outlet and a plug that looks like the one illustrated in (A). A temporary adapter, which looks like the adapter as illustrated in (B), may be used to connect this plug to a two-pole receptacle, as shown in (B) if a properly grounded outlet is not available. The temporary adapter should only be used until a properly grounded outlet can be installed by a qualified electrician. **This adapter is not applicable in Canada.** The green colored rigid ear, lug, or tab, extending from the adapter, must be connected to a permanent ground such as a properly grounded outlet box, as shown in (B).



230 Volt Operation

If 230V, single phase operation is desired, the following instructions must be followed:

1. **Disconnect the machine from the power source.**
2. This JET drill press is supplied with four motor leads that are connected for 115V operation, as shown in Figure A. Reconnect these four motor leads for 230V operation, as shown in Figure B.
3. The 115V attachment plug (A), supplied with the drill press, must be replaced with a UL/CSA listed plug suitable for 230V operation (D). Contact your local Authorized JET Service Center or qualified electrician for proper procedures to install the plug. The drill press must comply with all local and national codes after the 230 volt plug is installed.
4. The drill press with a 230 volt plug should only be connected to an outlet having the same configuration (D). No adapter is available or should be used with the 230 volt plug.

Important: In all cases (115 or 230 volts), make certain the receptacle in question is properly grounded. If you are not sure, have a registered electrician check the receptacle.

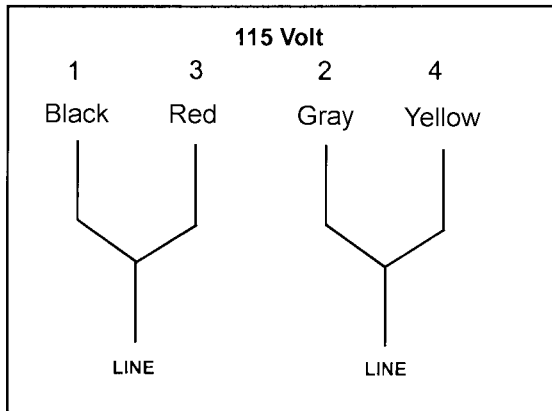


FIGURE A

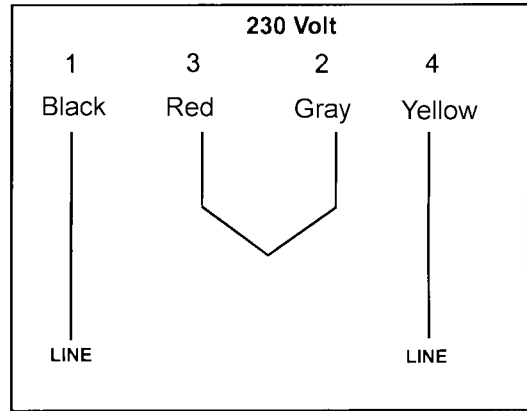
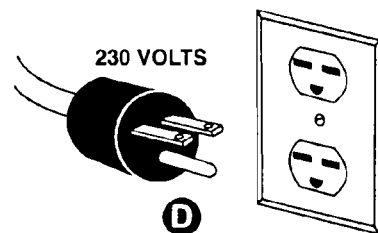
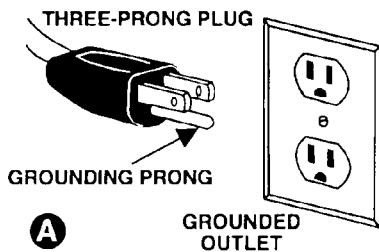
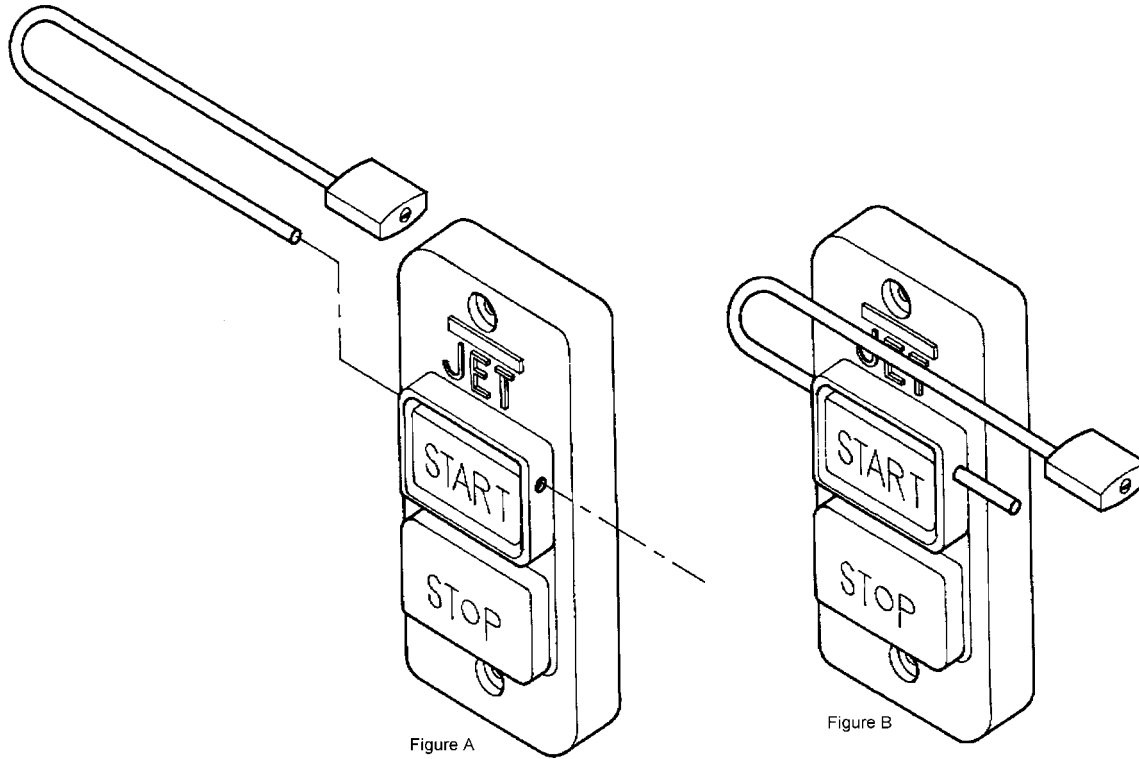


FIGURE B



On-Off Switch Padlock
Model No. BP-1, Stock No. 709736

To safeguard your machine from unauthorized operation and to avoid accidental starting by young children, the use of a padlock is highly recommended. JET model BP-1 is available from your local authorized JET distributor or by calling JET Equipment & Tools at 800-274-6848.



To lock out an on-off switch:

1. Open the padlock. See Fig. A.
2. Insert through holes in the start button. See Fig. B
3. Close the padlock.
4. Place the key in a safe place.

Specifications:

JDP-17FSE

Stock Number.....	354171
Swing	16-1/2"
Type	Floor
Drilling Capacity	5/8"
Chuck Size	5/8"
Spindle Travel	3-3/8"
Spindle Distance to Base	49"
Spindle Distance to Table (max.).....	29-1/8"
Table Size Diameter	13-3/4"
Spindle Taper	MT-2
Column Diameter	3-1/8"
Number of Spindle Speeds	12
Range of Spindle Speeds	250-3,000 RPM
Overall Height	66"
Base Size	11" x 19-5/8"
Motor	3/4HP, 1 Ph
.....	115/230V, prewired 115V
Net Weight (approx.)	172 lb.
Shipping Weight (approx.)	183 lb.

Table of Contents

Page

Warranty	2
Warnings	3-4
Grounding Instructions.....	5
115V Operation	5
230V Operation	6
On-Off Switch Padlock	7
Specifications	8
Table of Contents	8
Contents of Shipping Container	9
Tools Supplied for Assembly	9
Tools Required for Assembly	9
Before Assembly	9
Assembly.....	10-11
Removing the Chuck and Arbor.....	11
Adjusting the Depth Stop	12
Changing Spindle Speeds.....	12
Speed and Pulley Chart.....	13
Return Spring Adjustment.....	14
Table Tilt Adjustment.....	14
Basic Operation	15
Lubrication.....	15
Troubleshooting.....	16
Part's Breakdown.....	17
Part's List.....	18-19
Wiring Diagram	20

The specifications in this manual are given as general information and are not binding. WMH TOOL GROUP reserves the right to effect, at any time and without prior notice, changes or alterations to parts, fittings, and accessory equipment deemed necessary for any reason whatsoever.

Assembly

1. Place the base (A, Fig. 1) on a level floor.
2. With a 17mm wrench attach the column assembly (B, Fig. 1) to the base (A, Fig. 1) with four M10 x 40 hex cap bolts (C, Fig. 1). Tighten firmly.

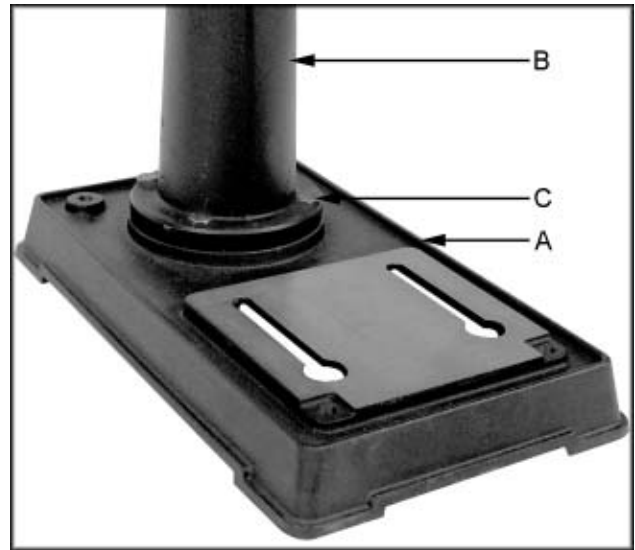


Fig. 1

3. Thread lock handle (D, Fig. 2) into the table bracket (E, Fig. 2).

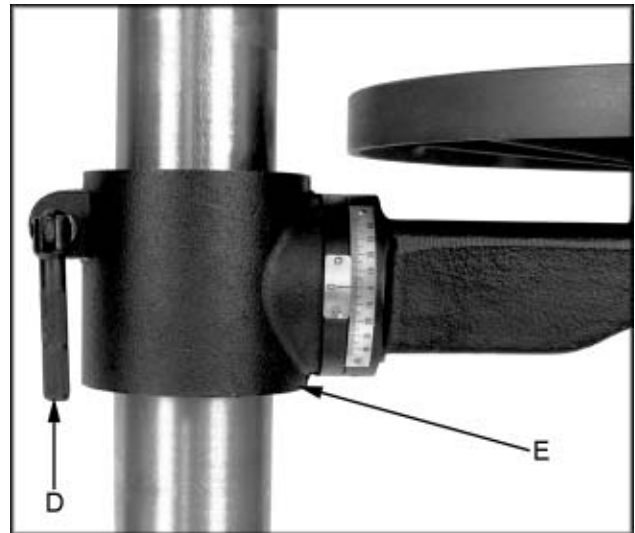


Fig. 2

4. Loosen the set screw (F, Fig. 3) on the raising handle (G, Fig. 3) with a 3mm hex wrench.

5. Slide the handle onto the table bracket shaft.

6. Turn the handle until the set screw is opposite the flat section on the shaft, and tighten the set screw to secure the handle.

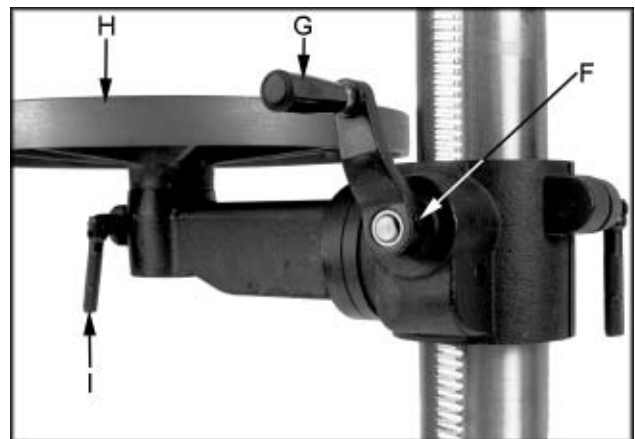


Fig. 3

7. Insert the table (H, Fig. 3) into the table bracket.

8. Tighten the table lock handle (I, Fig. 3).

9. With the aid of a second person, carefully lift the head onto the column top. **Caution: The head assembly is heavy! Use care when lifting onto the column!**
10. Rotate head assembly until sides of the belt cover are parallel with the sides of the base.
11. Tighten two set screws (A, Fig. 4) with a 5mm wrench until they are snug.
12. Install three down feed handles (B, Fig. 4) into the down feed hub (C, Fig. 4).
13. Raise the table to approximately seven inches below the spindle assembly, and lock the table in place.
14. Place a piece of scrap wood on the table.
15. Thoroughly clean spindle, arbor, and chuck. **Important:** These three pieces must be free of any rust protection, or lubricant. If they are not clean, the arbor and chuck will fail to seat in the spindle.
16. Place arbor into the chuck.
17. Twist the chuck to retract the chuck jaws if they are exposed.
18. Place arbor and chuck assembly into the spindle.
19. Turn the arbor and chuck assembly until the tang on the arbor engages the slot at the end of the spindle.
20. Lower the down feed handle so that the chuck meets the scrap wood. Pressure on the down feed handle once the chuck meets the scrap wood seats the arbor and chuck into the spindle, See Figure. 5.

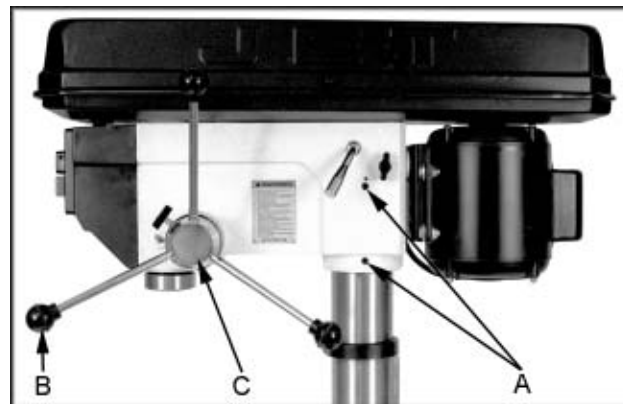


Fig. 4



Fig. 5

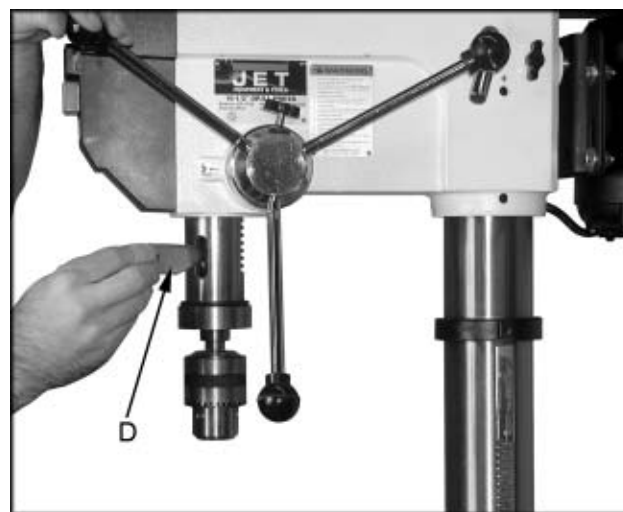


Fig. 6

Removing the Chuck and Arbor

1. **Unplug machine from the power source.**
2. Raise the table until it is about seven inches below the chuck.
3. Place a piece of scrap wood on the table, and lower quill using the down feed handle.
4. Rotate spindle to align the key hole in the spindle with the key hole in the quill.
5. Insert the drift key (D, Fig. 6) into the aligned slots and tap lightly. The chuck and arbor assembly should fall from the spindle.

Adjusting the Depth Stop

To drill multiple holes at the same preset depth, use the depth stop:

1. Lower the bit until it touches the workpiece.
2. Loosen lock knob (A, Fig. 7) and rotate housing (B, Fig. 7) until the pointer lines up with the depth you want to drill, indicated by the scale.
3. Tighten lock knob.
4. The drill bit will now advance to this depth.

Changing Spindle Speeds

A spindle speed and belt arrangement chart are found on the inside of the belt cover, see Figure 8. Refer to this chart whenever changing speeds.

To change spindle speeds:

1. **Unplug the machine from the power source.**
2. Loosen two bar knobs (C, Fig. 9) found on each side of the head assembly.
3. Rotate the tension adjuster (D, Fig. 9) to bring the motor base as close to the head as possible.
4. Change the belts location according to the speed chart and the speed you desire.
5. Rotate the tension adjuster (D, Fig. 9) to tension the belts.
6. Tighten two bar knobs (C, Fig. 9). Belts are properly tensioned when finger and thumb pressure midway between the two pulleys causes approximately $\frac{1}{2}$ " deflection.



Fig. 7



Fig. 8

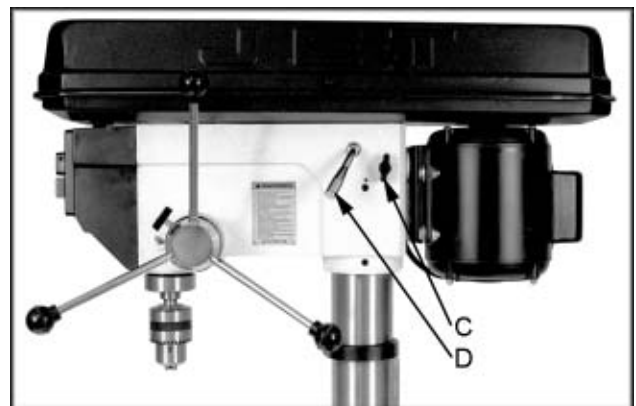


Fig. 9

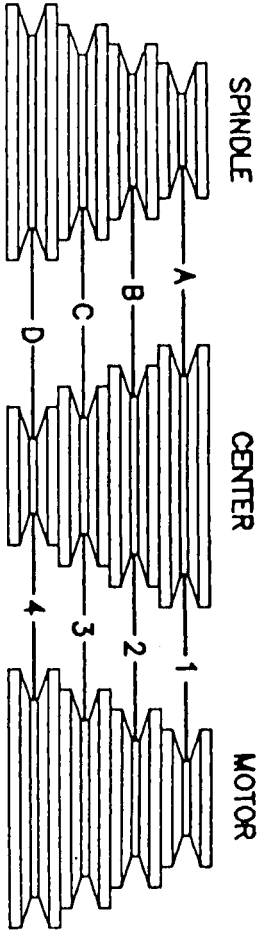
Speed & Pulley Chart



DRILL SPEED CHART

DISCONNECT (UNPLUG) THE MACHINE FROM THE POWER SOURCE BEFORE ADJUSTING BELTS

RPM	BELT	RPM	BELT
250	D/1	1090	A/2
360	C/1	1280	B/3
410	D/2	1450	C/4
540	B/1	1820	A/3
590	C/2	2180	B/4
650	D/3	3000	A/4



SUGGESTED SPEED ONLY FOR HIGH SPEED DRILLS.

DRILL DIAMETER	1/16"	3/32"	1/8"	5/32"	3/16"	7/32"	1/4"	9/32"	5/16"	11/32"	3/8"	13/32"	7/16"	15/32"	1/2"	9/16"	5/8"
SOFT WOOD	3000	3000	3000	3000	3000	3000	3000	2180	2180	2180	2180	2180	2180	2180	2180	2180	1820
HARD WOOD	3000	3000	3000	3000	3000	3000	3000	2180	2180	2180	2180	2180	2180	2180	1820	1820	1820
PLASTIC RUBBER	3000	3000	3000	3000	3000	3000	3000	2180	2180	1450	1280	1280	1090	1090	1090	650	650
CAST IRON	3000	2180	2180	2180	1450	1450	1260	1090	650	650	650	650	650	650	590	540	410
SOFT METALS	3000	3000	3000	3000	3000	3000	3000	3000	3000	3000	3000	3000	2180	2180	2180	2180	2180
MILD STEEL	3000	3000	3000	2180	1450	1280	1260	1280	1280	1090	1090	650	650	650	590	590	590
HARD STEEL	2180	1820	1280	1090	650	650	590	540	410	410	410	360	250	250	250	250	250

Return Spring Adjustment

The return spring is adjusted at the factory and should not need further adjustment. If adjustment is deemed necessary:

1. **Unplug the machine from the power source.**
2. Loosen two jam nuts (A, Fig. 10). **Do not remove.**
3. Firmly hold the coil spring cover (B, Fig. 10).
4. Pull out the cover and rotate until the pin (C, Fig. 10) on the return spring plate engages the next notch in the coil spring cover. Turn the cover clockwise to decrease tension and counter-clockwise to increase tension.
5. Tighten two jam nuts (A, Fig. 10). Do not over-tighten. Nuts should not contact the housing when tight. The jam nuts should be tightened against each other.

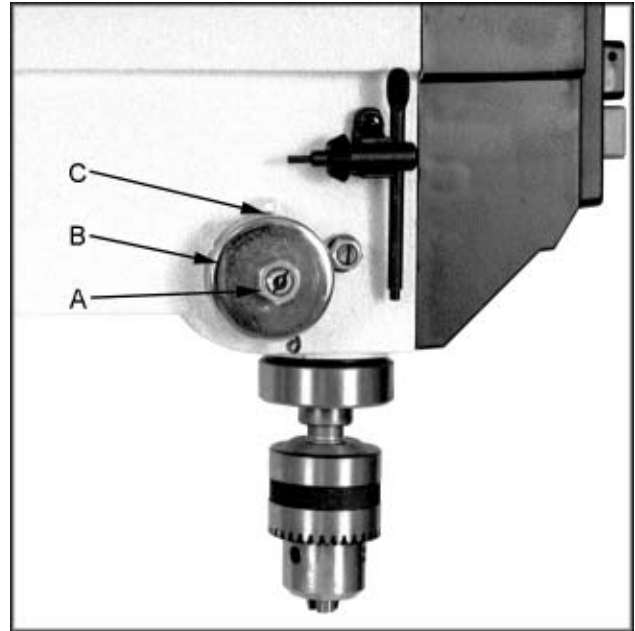


Fig. 10

Table Tilt Adjustment

CAUTION!

Remove the alignment pin first and then loosen the hex cap bolt. Failure to comply may cause the table assembly to separate from the column and fall.

To tilt the table:

1. Turn nut (D, Fig. 11) clockwise to pull out the alignment pin (E, Fig. 11).
2. Loosen hex cap bolt (F, Fig. 11), and tilt the table to the desired angle.
3. Tighten the hex cap bolt (F, Fig. 11).
4. The alignment pin only works at 90° and must be reinserted when the table is returned to 90°.

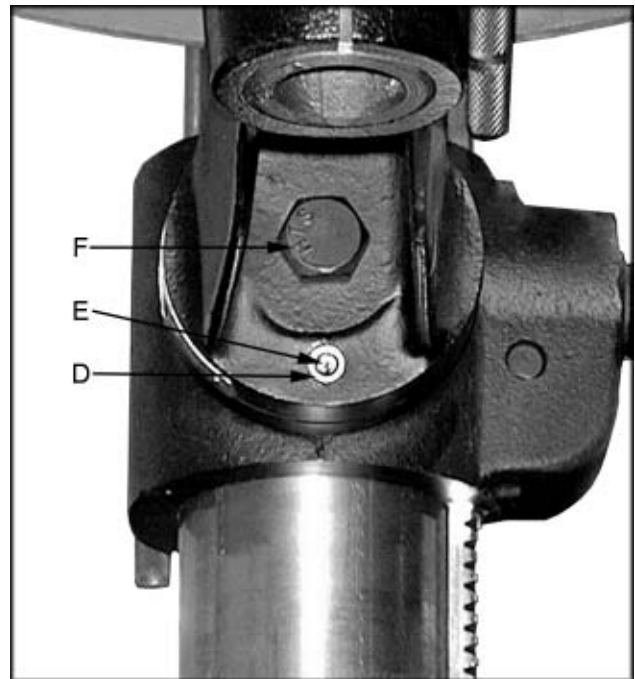


Fig. 11

Basic Operation

- Always use a back-up piece of scrap wood to cover the table. This protects both the table and the drill bit.
- Place material to be drilled in such a way as to come into contact with the left side of the column. This prevents the material from spinning.

WARNING!

If the work piece is not large enough to come into contact with the column, use a clamp or drill press vise that is securely fastened to the table!

Failure to comply may cause serious injury!

- Feed the bit into the material with only enough force to allow the drill bit to work. Feeding too slowly may cause burning of the workpiece. Feeding too quickly may cause the motor to stop and/or the drill bit to break.
- Generally speaking, the smaller the drill bit, the greater the RPM required. Wood requires higher speeds than metal. Metal is usually drilled at slower speeds.
- In dusty environments, frequently blow out any dust that accumulates inside the motor.

Lubrication

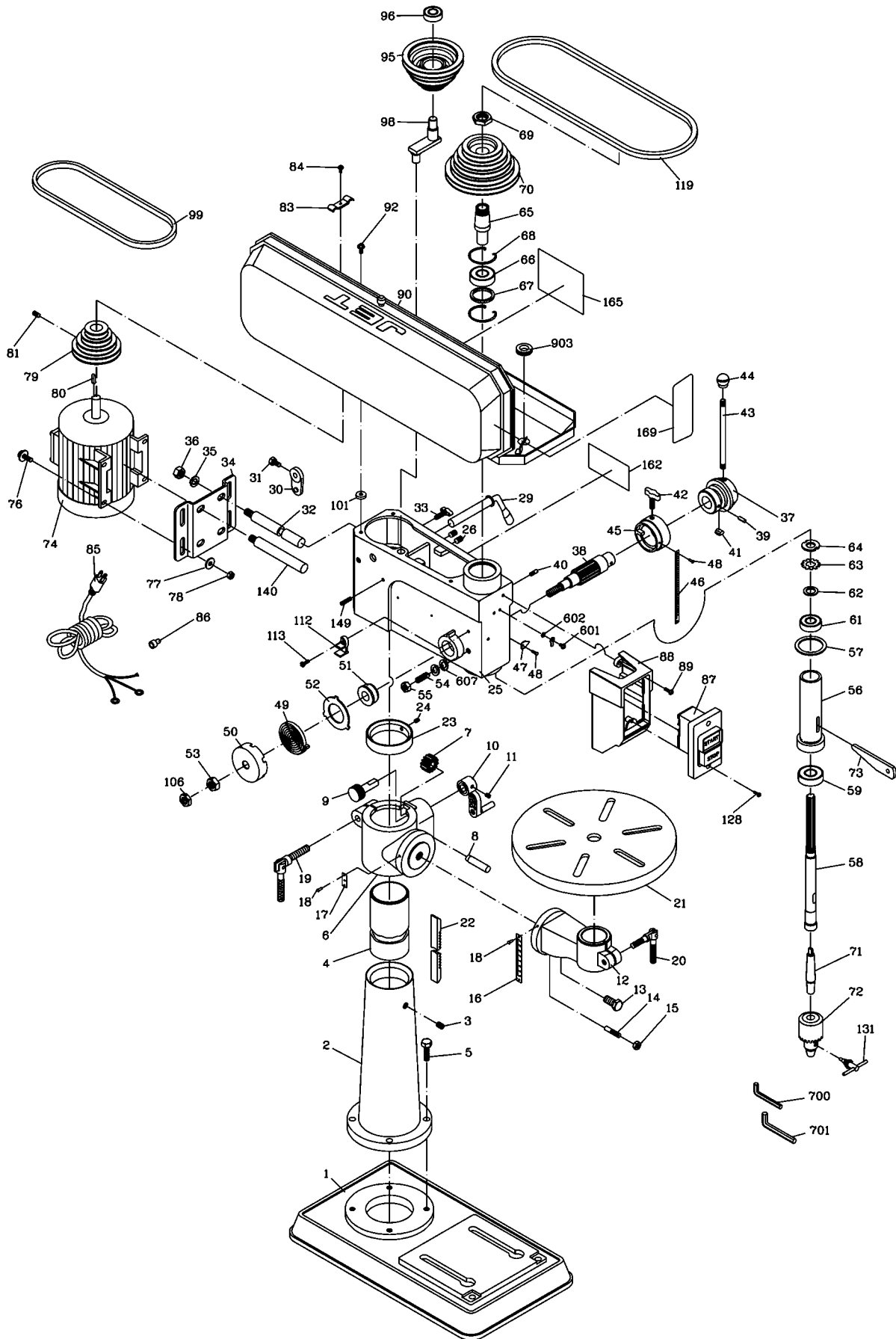
Periodically lubricate the gear and the rack, the table elevation mechanism, the splines (grooves) in the spindle, and the teeth of the quill with a #2 tube grease.



Troubleshooting

Trouble	Probable Cause	Remedy
Drill press will not start.	<ol style="list-style-type: none"> 1. Drill press unplugged from wall, or motor. 2. Fuse blown, or circuit breaker tripped. 3. Cord damaged. 4. Starting capacitor bad. 	<ol style="list-style-type: none"> 1. Check all plug connections. 2. Replace fuse, or reset circuit breaker. 3. Replace cord. 4. Replace starting capacitor.
Drill press does not come up to speed.	<ol style="list-style-type: none"> 1. Extension cord too light or too long. 2. Low current. 	<ol style="list-style-type: none"> 1. Replace with adequate size and length cord. 2. Contact a qualified electrician.
Drill Press vibrates excessively.	<ol style="list-style-type: none"> 1. Stand on uneven surface. 2. Bad belt(s). 	<ol style="list-style-type: none"> 1. Adjust stand so that it rests evenly on the floor. 2. Replace belts.
Noisy Operation.	<ol style="list-style-type: none"> 1. Incorrect belt tension. 2. Dry spindle. 3. Loose spindle pulley. 4. Loose motor pulley. 	<ol style="list-style-type: none"> 1. Adjust belt tension. See "Changing Spindle Speeds", page 12. 2. Lubricate spindle. See "Lubrication" page 15. 3. Check tightness of retaining nut on pulley, and tighten if necessary. 4. Tighten set screws in pulleys.
Workpiece Burns.	<ol style="list-style-type: none"> 1. Incorrect Speed. 2. Chips not clearing from hole or bit. 3. Dull drill bit. 4. Feeding too slow. 	<ol style="list-style-type: none"> 1. Change to appropriate speed, see speed and pulley chart, page 13. 2. Retract drill bit frequently to remove chips. 3. Resharpener, or replace drill bit. 4. Increase feed rate.
Drill bit wanders.	<ol style="list-style-type: none"> 1. Bit sharpened incorrectly. 2. Bent drill bit. 3. Bit, or chuck not installed properly. 	<ol style="list-style-type: none"> 1. Resharpener bit correctly. 2. Replace drill bit. 3. Reinstall the chuck, or bit properly.
Wood splinters on the underside.	<ol style="list-style-type: none"> 1. No backing board used. 	<ol style="list-style-type: none"> 1. Place a scrap board underneath the workpiece to prevent splintering.
Drill bit binds in workpiece.	<ol style="list-style-type: none"> 1. Workpiece pinching the bit. 2. Excessive feed rate. 3. Chuck jaws not tight. 4. Improper belt tension. 	<ol style="list-style-type: none"> 1. Support or clamp workpiece. 2. Decrease feed rate. 3. Tighten chuck jaws. 4. Increase belt tension, see page 12.
Excessive drill bit runout, or wobble.	<ol style="list-style-type: none"> 1. Bent drill bit. 2. Worn spindle bearings. 3. Bit, or chuck not properly installed. 	<ol style="list-style-type: none"> 1. Replace drill bit. 2. Replace spindle bearings. 3. Reinstall the bit, or chuck properly.
Quill returns too slow, or too fast.	<ol style="list-style-type: none"> 1. Spring has improper tension. 	<ol style="list-style-type: none"> 1. Adjust "Return Spring Tension," page 14.
Chuck, or arbor do not stay in place.	<ol style="list-style-type: none"> 1. Dirt, grease, etc on arbor, chuck, or spindle. 	<ol style="list-style-type: none"> 1. Clean all mating surfaces thoroughly with a cleaner degreaser.

Parts Breakdown for JDP-17FSE



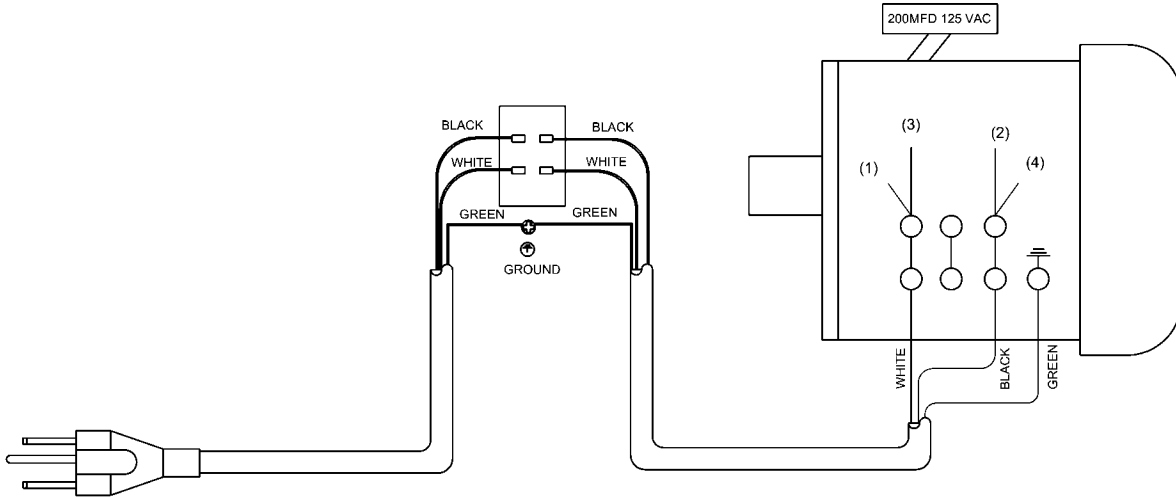
Parts List for JET JDP-17FSE Drill Press

Index No	Part No.	Description	Size	Qty
1	10800101	Base		1
2	12909001A1	Column Holder Assy (incl. #2,3,4)		1
3	TS-1525021	Socket Set Screw	M10x12	1
4	12909001	Body Column		1
5	TS-1491061	Cap Screw	M10x40	4
6	10700605A1	Bracket Assy (incl. #6-11,17-19)		1
7	10600702	Gear		1
8	10600802	Gear Shaft		1
9	10600902	Worm Pinion		1
10	10601009A1	Crank Handle Assy (incl. #10,11)		1
11	TS-1523031	Socket Set Screw	M6x10	1
12	10901203A1	Table Bracket Assy (incl. 12-16,18)		1
13	TS-0071011	Cap Screw	5/8"-11x1-1/2"	1
14	10601401	Locating Pin		1
15	TS-0561011	Hex Nut	1/4"-20	1
16	10601601	Angle Scale		1
17	10601702	Centering Scale		1
18	2658MZDU36	Drive Screw		4
19	10601901	Column Lock Handle		1
20	10602001	Table Lock Handle		1
21	10702112	Table		1
22	10602205	Rack		1
23	10702307A1	Rack Ring		1
24	TS-1523031	Set Screw	M6x10	1
25	10802508A1	Head Assy (incl. #51)		1
26	TS-1525021	Socket Set Screw	M10x12	2
29	10902901	Handle Shifter		1
30	10603002A1	Motor Bar Cam Assy (incl. #30,31)		1
31	TS-1490021	Cap Screw	M8x16	1
32	10703211	Motor Bar		1
33	10603301	Shifter Lock Bolt		2
34	10603416	Motor Base		1
35	TS-0720111	Lock Washer	1/2"	2
36	TS-1540081	Hex Nut	M12	2
37	17373839	Feed Shaft Assy (incl #37,38,39)		1
38	10603807	Feed Shaft		1
39	2536MBE611	Spring Pin		1
40	10604001	Set Pin		1
41	10604102	Scale Guide		1
42	10604201	Shifter Bolt	M8-1.25x17	1
43	10604303A1	Handle Bar Assy		3
44	10604403	Grip		3
45	10604503	Scale Ring		1
46	10604633	Scale		1
47	10604701	Pointer		1
48	2658MZDU36	Drive Screw		1
49	10605002A1	Coil Spring w/Cover (incl. #49,50)		1
50	10605002A1	Coil Spring w/Cover (incl. #49,50)		1
51	10605115	Shaft Seat		1
52	10605202	Spring Retainer		1
53	TS-0561052	Hex Nut	1/2"-20	1
54	10605403	Quill Set Screw		1
55	TS-1540071	Hex Nut	M10	1
56	10705610	Quill		1

Index No	Part No.	Description	Size	Qty
57	10705703	Rubber Washer		1
58	10705825	Spindle		1
59	BB-6205Z	Ball Bearing		1
61	BB-6203ZZ	Ball Bearing		1
62	10606201	Washer		1
63	10606301	Lock Nut		1
64	10606401	Spindle Nut		1
65	10706507	Drive Sleeve		1
	10706507A1	Drive Sleeve Assy (incl. #65,66,67,68)		1
66	BB-6205Z	Ball Bearing		1
67	10706705	Collar		1
68	10706802	Retaining Ring		2
69	10606904	Pulley Nut		1
70	10607017	Spindle Pulley		1
71	21015M2J30	Arbor		1
72	2135CNQ103	Chuck		1
73	10607303	Wedge		1
74	8207121251	Motor	3/4 HP, 1Ph 115/230V	1
	2992A55A13	Capacitor (not shown)		1
	85061301	Capacitor Cover (not shown)		1
76	2615BZDD27	Hex Head Screw w/Washer		4
77	TS-0680031	Flat Washer	5/16"	4
78	TS-1540061	Hex Nut	M8	4
79	10607963A1	Motor Pulley		1
80	2571NNC204	Key		1
81	TS-1524031	Socket Set Screw	M8x12	1
83	10608301	Wire Clip		3
84	TS-1533042	Pan Head Screw	M5x12	3
85	2807BB06H2	Power Cable		1
86	2805U5HN16	Strain Relief		1
87	2898D07G06	Push Button on/off		1
88	10808808	Switch Box		1
89	TS-1533052	Pan Head Screw	M5x16	2
90	10909012A1	Pulley Cover Assy		1
92	2641BZDA40	Pan Head Screw w/Washer	M6-1.0x16	4
95	10609509	Center Pulley		1
96	BB-6202ZZ	Ball Bearing		1
98	10609802	Center Pulley Shaft		1
99	VB-A26	V-Belt	A26	1
101	TS-0680021	Flat Washer	1/4"	4
106	TS-0561052	Hex Nut	1/2"-20UNF	1
112	10611201	Chuck Key Holder		1
113	2668BBDA40	Pan Head Screw	M6-1.0x16	1
119	VB-A27	V-Belt	A27	1
128	2653MBDE11	Truss Head Tapping Screw	M4-16x12	2
131	2136ABD104	Chuck Key		1
140	10714001	Motor Bar		1
149	2536MBE616	Spring Pin		2
162	10916202	Warning Label		1
165	10616610	Speed Label		1
169	11316904	JET Label		1
601	2668BZDA10	Pan Head Screw	M4x0.7-16	2
602	2504MZC004	Toothed Lock Washer		2
607	TS-0720101	Lock Washer	7/16"	2
700	TS-152704	Hex Wrench	3MM	1
701	TS-152706	Hex Wrench	5MM	1
903	2801ABRF03	Strain Relief		1

Wiring Diagram

JDP-17FSE ELECTRICAL SCHEMATIC - 115V



JDP-17FSE ELECTRICAL SCHEMATIC - 230V

