

Lubrication equipment, hand-held lubrication tools and accessories



® SKF is a registered trademark of the SKF Group.

® Lincoln is a registered trademark of Lincoln Industrial Corp.

® PowerMaster, PileDriver and PowerLuber are registered trademarks of Lincoln Industrial Corp.

© SKF Group 2014

The contents of this publication are the copyright of the publisher and may not be reproduced (even extracts) unless prior written permission is granted. Every care has been taken to ensure the accuracy of the information contained in this publication but no liability can be accepted for any loss or damage whether direct, indirect or consequential arising out of the use of the information contained herein.

October 2014 • FORM 442869

| | |
|--|-----|
| Hand-held greasing tools and accessories | 6 |
| Pumps and accessories | 40 |
| Lube dispensing stations | 128 |
| Hose reels and accessories | 130 |
| Control valves, meters and accessories | 150 |
| Bulk oil and diesel exhaust fluid (DEF) packages | 164 |
| Portable used fluid handling equipment and fuel caddies | 168 |
| Air line products and accessories | 194 |
| Miscellaneous | 220 |
| Typical installed lubrication and lubrication truck drawings | 224 |
| Warranty and product disclaimers | 237 |
| Numerical index | 238 |

- 1
- 2
- 3
- 4
- 5
- 6
- 7
- 8
- 9
- 10
- 11
- 12

People, capabilities and systems to save money and increase productivity

Industry leader

Continually satisfying our customers with the world's best lubrication equipment and pumping systems has made Lincoln the largest and most successful company in our field. For more than a century, companies have relied on our technical and quality leadership; our world-class manufacturing and customer service, and our vast network of distributors and support facilities.

Providing solutions

Industrial customers in large processing plants, automotive manufacturing, pulp and paper mills, food and beverage and other manufacturing facilities can depend on solutions from Lincoln. For the toughest mobile applications, on the road or in the field, Lincoln protects heavy equipment used in mining, construction, agriculture and over-the-road trucking. In addition, Lincoln offers the best lubrication equipment to meet the needs of automotive service professionals.

Worldwide support

With five technical support centers on three continents, and a network of distributors supported by regional sales and service offices, our customers can always draw on our worldwide resources.

Other Lincoln sites

Lincoln has developed new internet sites to better serve customers by providing information customized for their needs. Visit us at lincolnlube.com, mityvac.com and mityvacFST.com.



A complete line of lubrication solutions and industrial pumping products



At every construction site, automobile repair shop and industrial plant, maintenance and automotive service professionals need high-quality lubrication equipment and pumping products.

Lincoln offers everything you need for lubrication. Our general-purpose and heavy-duty pumps, hose reels, meters and controls, used fluid systems and hand-held lubrication products are the best in the industry.

SKF – the knowledge engineering company

From one simple but inspired solution to a misalignment problem in a textile mill in Sweden, and fifteen employees in 1907, SKF has grown to become a global industrial knowledge leader.



Over the years we have built on our expertise in bearings, extending it to seals, mechatronics, services and lubrication systems. Our knowledge network includes 46 000 employees, 15 000 distributor partners, offices in more than 130 countries, and a growing number of SKF Solution Factories around the world.

Research and development

We have hands-on experience in over forty industries, based on our employees' knowledge of real life conditions. In addition our world-leading experts and university partners who pioneer advanced theoretical research and development in areas including tribology, condition monitoring, asset management and bearing life theory. Our ongoing commitment to research and development helps us keep our customers at the forefront of their industries.



Meeting the toughest challenges

Our network of knowledge and experience along with our understanding of how our core technologies can be combined helps us create innovative solutions that meet the toughest of challenges. We work closely with our customers throughout the asset life cycle, helping them to profitably and responsibly grow their businesses.

Working for a sustainable future

Since 2005, SKF has worked to reduce the negative environmental impact from our own operations and those of our suppliers. Our continuing technology development introduced the SKF BeyondZero portfolio of products and services which improve efficiency and reduce energy losses, as well as enable new technologies harnessing wind, solar and ocean power. This combined approach helps reduce the environmental impact both in our own operations and in our customers'.

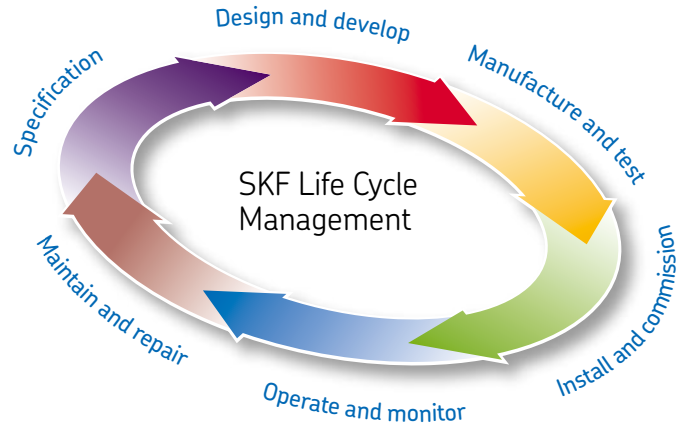
SKF Solution Factories make SKF knowledge and manufacturing expertise available locally, to provide unique solutions and services to our customers.

Working with SKF IT and logistics systems and application experts, SKF Authorized Distributors deliver a valuable mix of product and application knowledge to customers worldwide.



Our knowledge – your success

SKF Life Cycle Management is how we combine our technology platforms and advanced services, and apply them at each stage of the asset life cycle, to help our customers to be more successful, sustainable and profitable.



Working closely with you

Our objective is to help our customers improve productivity, minimize maintenance, achieve higher energy and resource efficiency, and optimize designs for long service life and reliability.



Bearings

SKF is the world leader in the design, development and manufacture of high performance rolling bearings, plain bearings, bearing units and housings.

Innovative solutions

Whether the application is linear or rotary or a combination of the two, SKF engineers can work with you at each stage of the asset life cycle to improve machine performance by looking at the entire application. This approach doesn't just focus on individual components like bearings or seals. It looks at the whole application to see how each component interacts with the next.



Machinery maintenance

Condition monitoring technologies and maintenance services from SKF can help minimize unplanned downtime, improve operational efficiency and reduce maintenance costs.

Design optimization and verification

SKF can work with you to optimize current or new designs with proprietary 3-D modeling software that can also be used as a virtual test rig to confirm the integrity of the design.



Sealing solutions

SKF offers standard seals and custom engineered sealing solutions to increase uptime, improve machine reliability, reduce friction and power losses, and extend lubricant life.



Mechatronics

SKF fly-by-wire systems for aircraft and drive-by-wire systems for off-road, agricultural and forklift applications replace heavy, grease or oil consuming mechanical and hydraulic systems.



Lubrication solutions

From specialized lubricants to state-of-the-art lubrication systems and lubrication management services, lubrication solutions from SKF can help to reduce lubrication related downtime and lubricant consumption.



Actuation and motion control

With a wide assortment of products – from actuators and ball screws to profile rail guides – SKF can work with you to solve your most pressing linear system challenges.



Model 1142



Model 1162



Model 1134



Model 5470



Model 1880



Model 816

Hand-held greasing tools and accessories

| | |
|---|-----------|
| Battery-operated grease guns and accessories | 8 |
| 120 V corded electric grease gun | 16 |
| Air-operated grease guns | 17 |
| Manually operated grease guns | 18 |
| Lever style | 19 |
| Premium series | 20 |
| Pistol grip style | 22 |
| Suction guns | 23 |
| Clear grease guns and grease gun tubes | 24 |
| Greasing hoses, adapters and accessories | 25 |
| Grease hose extensions for grease guns | 25 |
| Grease couplers | 28 |
| Grease coupler extensions and adapters | 30 |
| Grease fittings and grease fitting adapters | 32 |
| Packaged grease fittings | 32 |
| Boxed and bulk grease fittings | 34 |
| Fitting adapters and tools | 36 |
| Bearing packers | 38 |

Model 1880



PowerLuber 20 V lithium ion series 1880 battery-operated grease gun

Powerful, versatile technology from the lubrication experts

- **High pressure and volume**

The PowerLuber's redesigned, high-torque powerhead delivers grease at up to 10 000 psi (689,5 bar) in both high- and low-output settings. The new design reduces battery load and maximizes grease output per charge.

- **Accuracy and precision**

The tool's liquid crystal display (LCD) accurately indicates standard readings such as battery level and grease flow (grams or ounces). In addition, the LCD's flow meter detects the loss of prime, eliminating false readings to help ensure the equipment being serviced is properly lubricated.

- **Work-ready design**

The rugged PowerLuber's new three-point base keeps the tool upright and stable for easy handling without being bulky to allow easy access to fittings in tight spaces. Also, the tool has a convenient, built-in LED to illuminate the work area.

Features

- Multi-function LCD – display shows grease output and battery charge, and alerts the operator of blocked fittings and loss of prime
- Work light – built-in LED illuminates the work area
- Three-point base – base keeps the grease gun upright for easy handling and helps to keep the tool clean
- Two-speed digital grease output selector – switch from low-volume to high-volume dispensing with the touch of a button
- Vent valve and filler nipple – the vent valve purges trapped air to help assure easy prime, and the filler nipple facilitates a quick, clean refill for those who prefer to bulk fill their barrel
- Integrated hose holder and tube guide – the holder's unique design allows for secure hose storage, and the tube guide provides easy threading of the grease barrel
- Flex hose – the 36 in. (91 cm) flex hose comes with anti-kink spring guards on each end and is the ideal size for most lubrication tasks
- Lithium-ion battery – lithium-ion technology is powerful and efficient, delivering an even flow of energy and eliminating the slowdown associated with NiCad, while offering three times the charge cycles



Model 1882

Packed in a convenient heavy-duty carrying case molded from impact- and stain-resistant plastic. Model 1882 comes complete with the 20 V Li Ion PowerLuber (model 1880) and battery (model 1871) and AC charger (model 1870).

Model 1884

Includes the same content as model 1882 plus a second 20 V Li Ion rechargeable battery (model 1871).

Accessories

Battery – model 1871

20 V Li Ion slide-on battery.

Charger – model 1870

One hour high-output 110 V AC charger.

Model 1875A

One hour charger for use in vehicles and heavy equipment using 12 or 24 V DC outlets.

Model 1882



Model 1884



Model 1871



Model 1870



Model 1860



PowerLuber 18 V lithium ion series battery-operated grease gun

Lincoln introduces the most advanced grease gun on the market. The new Li Ion series offers far more than just extended run times. This powerful grease gun includes a multi-function LCD with many features including an easy to understand read-out showing the quantity of lubricant being dispensed to prevent over lubricating and wasting grease.

Features

- LCD – quantity of grease dispensed, quantity of grease remaining in cartridge, battery charge level, stall indicator, operation symbol
- LED lights up hard to locate fittings when under equipment or in the shade
- New 18 V low-interference, high-performance motor
- New heavy-duty pump casting
- New motor protection design includes self-resetting thermal switch and front relief valve
- Two-speed transmission delivers excellent output and pressure
- New longer 36 in. (914 mm) high-pressure hose
- New air-purge valve for immediate prime
- Bulk filler valve
- Check-ball accessibility allows easy cleaning of contaminated or hardened grease



Model 1862

Packed in a convenient heavy-duty carrying case molded from impact- and stain-resistant plastic. Model 1862 comes complete with the 18 V Li Ion PowerLuber (model 1860) and battery (model 1861), a 110 V one-hour charger (model 1850) and a 36 in. (914 mm) high-pressure flex hose with spring guard (model 1236).

Model 1864

Includes the same content as model 1862 plus a second 18 V Li Ion rechargeable battery (model 1861).

Accessories

Battery – model 1861

3.0 high-amp Li Ion slide-on battery.

Charger – model 1850

One hour high-output 110 V AC charger.

Model 1855A

One hour fast charger for use in vehicles and heavy equipment using 12 or 24 V DC outlets.

Hose – model 1236

36 in. (914 mm) high-pressure hose with spring guards.

Model 1861



Model 1850



Model 1855A



Model 1862



Model 1440



Professional two-speed 14.4 and 18 V NiCad battery-operated grease guns

Lincoln, the inventor of the cordless grease gun, remains a valuable partner with technicians, mechanics, maintenance teams, farmers and others for almost every lubrication and preventative maintenance task imaginable.

PowerLuber's versatile two-speed design gives it the capability of two powerful tools in one. At the touch of a button, it can deliver high volumes of lubricant at medium pressure or a concentrated stream at high pressure. The PowerLuber includes a built-in stroke indicator to make it easy to measure total output.

Features

- Powerful high-torque motor
- 7 500 psi (517 bar) working output pressure
- 9 oz./min. (266 ml/min.) grease output at 1 000 psi (69 bar) (H)
- Air purge valve for immediate prime
- Two-speed output selection
- 30 in. (762 mm) high-pressure whip hose with spring guards and coupler (model 1230)
- Slotted heavy-duty casting accepts shoulder strap
- Check-ball accessibility allows easy cleaning of contaminated or hardened grease
- One-hour smart charger
- High-capacity battery



Multi-speed output selector*
Control the powerful two-speed transmission with just a push



Stroke cycle indicator pin
Lets you monitor total output by touch



Motor protection
Reset breaker protects motor from overload

* High output setting (H) delivers 2.5 times the volume as lower output setting (L).

Model 1842

Packed in a convenient heavy-duty carrying case molded from impact- and stain-resistant plastic. Model 1842 comes complete with the 18 V NiCad PowerLuber (**model 1800**) and battery (**model 1801**), a 110 V one-hour charger (**model 1410**), and a 30 in. (762 mm) high-pressure flex hose with spring guard (**model 1230**).

Model 1844

Includes the same content as model 1842 plus a second 18 V NiCad rechargeable battery (**model 1801**).

Model 1442

Packed in a convenient heavy-duty carrying case molded from impact- and stain-resistant plastic. Model 1442 comes complete with the 14.4 V NiCad PowerLuber (**model 1400**) and battery (**model 1401**), a 110 V one-hour charger (**model 1410**), and a 30 in. (762 mm) high-pressure flex hose with spring guard (**model 1230**).

Model 1444

Includes the same content as Model 1442 plus a second 14.4 V NiCad rechargeable battery (**model 1401**).

Model 1844



Models 1442, 1444, 1842 and 1844 all include carrying case

Model 1242



PowerLuber 12 V battery-operated grease guns

Model 1242

The standard 12 V PowerLuber grease gun is powerful, generating up to 6 000 psi (414 bar) of operating pressure. The battery recharges in only one hour and lasts long enough to dispense 3 to 5 tubes of grease against 1 000 psi (69 bar) back pressure. It's perfect for hard-to-reach fittings. It relieves worker fatigue and speeds up routine lubrication tasks. Lube capacity is 16 oz. (454 cm³) bulk and 14.5 oz. (411 cm³) cartridge.

Model 1244

Includes second 12 V rechargeable battery (model 1201) for uninterrupted lube application.

Model 1240

Economy packed without carrying case. Includes one 12 V rechargeable battery (model 1201) and battery charger (model 1210).

Model 1200

PowerLuber and battery only.

Model 1240



Comes complete with:

- 110 V fast charger (model 1210)
- 12 V NiCad rechargeable battery (model 1201)
- 30 in. (762 mm) high-pressure flex hose with spring guard (model 1230)
- Pressure relief valve to prevent motor overload
- Check-ball accessibility allows easy cleaning of contaminated or hardened grease

Model 1871



PowerLuber accessories

Model 1861



Model 1801



Batteries

Model 1871

20 V li ion rechargeable slide-on battery for 1880 series PowerLubers.

Model 1861

18 V li ion rechargeable slide-on battery for 1860 series PowerLubers.

Model 1801

18 V NiCad rechargeable battery for 1840 series PowerLubers.

Model 1401

14.4 V NiCad rechargeable battery for 1440 series PowerLubers.

Model 1201

12 V NiCad rechargeable battery for 1240 series PowerLubers.

Note: NiCad and Li Ion batteries are not interchangeable.

Model 1401



Model 1201



Chargers

Model 1870

One hour high-output 110 VAC charger. For use with 20 V Li Ion battery model 1871.

Model 1875A

One hour charger for use in vehicles and heavy equipment using 12 or 24 V DC outlets. For use with 20 V Li Ion battery model 1871.

Model 1850

110 V one hour high-output li ion charger maximizes the life cycle of the battery. For use with 18 V Li Ion battery model 1861.

Model 1855A

One hour fast charger for use in vehicles and heavy equipment using 12 or 24 V DC outlets. For use with 18 V Li Ion battery model 1861.

Model 1410

110 V “smart” charger recharges batteries in less than one hour and recognizes battery condition when not in use. For use with both Lincoln model 1401 (14.4 V NiCad) and model 1801 (18 V NiCad) battery packs.

Model 1815A

One hour charger for use in vehicles and heavy equipment using 12 or 24 V DC outlets. For use with both Lincoln model 1401 (14.4 V NiCad) and model 1801 (18 V NiCad) battery packs.

Model 1210

110 V one-hour fast charger for use with battery pack model 1201. 6 ft. (1,8 m) cord; UL/ULC listed.

Model 1215

One hour charger for use in vehicles and heavy equipment using 12 V DC outlets. For use with 12 V NiCad battery model 1201.

Model 1215A

One hour fast charger for use in vehicles and heavy equipment using 12 or 24 V DC outlets. For use with 12 V NiCad battery model 1201.

Model 1414

Shoulder strap for hands-free movement from job to job (14.4 and 18 V PowerLubers only).

Model 1870



Model 1875A



Model 1850



Model 1855A



Model 1410



Model 1815A



Model 1210



Model 1215



Model 1414



Model 1230



PowerLuber accessories – whip hoses

| Model | Description | | Thread size | | Maximum pressure Working | |
|-------|-------------|-----|-------------|----------------|--------------------------|-----|
| | in. | mm | Inlet UNEF | Outlet NPT (m) | psi | bar |
| 1218 | 18 | 457 | 7/16 | 1/8 | 7 500 | 517 |
| 1224 | 24 | 610 | 7/16 | 1/8 | 7 500 | 517 |
| 1230 | 30 | 762 | 7/16 | 1/8 | 7 500 | 517 |
| 1236 | 36 | 914 | 7/16 | 1/8 | 7 500 | 517 |

Model AC2440



PowerLuber 120 V corded electric grease gun

Corded AC power

The first of its kind in the industry, the 120 V corded PowerLuber's motor provides the highest torque values in its class. Its variable speed trigger combines with a two-speed transmission for precise flow control. Ideal for filling grease reservoirs, the 120 V grease gun is an excellent alternative to pneumatic lube tools.

Features

- High torque 120 V AC motor
- Unmatched for power, longevity and performance
- Variable speed trigger combines with the 2-speed transmission for excellent flow control
- Excellent for refilling grease reservoirs
- Excellent alternative to pneumatic lube tools
- Pressure relief valve to prevent motor overload
- Check-ball accessibility allows easy cleaning of contaminated or hardened grease
- Includes 30 in. (762 mm) hose (model 1230)



120 V PowerLuber technical data

| | |
|---|--|
| Models | AC2440/AC2400²⁾ |
| Voltage | 120 V |
| Transmission | 2-speed transmission with variable speed trigger |
| Lube capacity | 16 oz. (454 cm ³) bulk/14.5 oz. (411 cm ³) cartridge |
| Grease flow indicator | Patented stroke counter |
| Output pressure | 7 000 psi (483 bar) |
| Output rate per minute¹⁾ | 3.6 (L) to 8.0 oz. (H) [102 (L) to 227 cm ³ (H)] |
| Cartridges dispensed per charge¹⁾ | Unlimited |
| Overload protection | Pressure relief valve, thermal protector |
| Bulk filler valve | Yes |
| Quick vent – air purge valve | Yes |
| Hose type | 30 in. (762 mm) high pressure with dual spring guards and model 5852 coupler |
| Compact carrying case | Yes (model AC2440 only) |
| Hose, coupler, cord clip | Yes |
| 6 ft. (1,8 m) power cord | Yes |

¹⁾ At 1 000 psi (69 bar) back pressure
²⁾ Does not include carrying case

PowerLuber fully automatic pneumatic grease gun

Model 1162

The variable speed trigger provides excellent grease flow control while the advanced pump design eliminates traditional priming issues

- Outstanding durability and dependability
- Fully automatic, continuous operation
- Variable-speed trigger
- Accessible check valve assembly
- Comfortable grip
- 30 in. (762 mm) high-pressure hose with coupler and attachment clip (model 1230)
- Includes a combination filler nipple and bleeder valve
- Superior flow performance obtained through advanced design
- Standard grease cartridge



Model 1162 PowerLuber technical data

| | |
|-------------------------|--|
| Pump ratio | 40:1 at 150 psi (10 bar) |
| Maximum grease pressure | 6 000 psi (414 bar) |
| Air pressure range | 40 to 150 psi (2.8 to 10.3 bar) |
| Lube capacity | 16 oz. (454 cm ³) bulk/14.5 oz. (411 cm ³) cartridge |
| Weight | 5.375 lbs. (2,4 kg) |



Model 1142



Lincoln – the brand the pros demand for quality lubrication tools

For over a century the industry has recognized Lincoln as the leader in professional lubrication tools. Professional automotive, agricultural and industrial mechanics depend on Lincoln tools for their livelihood. Lincoln tools offer a lifetime of performance and are backed by the most comprehensive warranty in the industry.

Lincoln hand-held grease guns offer:

- Rugged cast pump head for strength and durability.
- Jam-proof toggle mechanism prevents binding.
- Performance-proven design.
- Locking follower rod with removable end cap.
- Extra-heavy follower spring insures positive priming and uninterrupted pumping action.
- Accessible check valve allows easy cleaning without gun disassembly.
- Follower rod locks into follower to force prime.
- Precision fit and hardened plunger prevents lubricant bypass, resists scoring for longer life.

Model 1148



Model 1013



Grease gun comparison chart

| Includes | 1142 | 1148 | 1013 |
|---|------|------|------|
| Durable high-pressure grease gun | X | X | X |
| Precision fit and hardened plunger | X | X | X |
| Accessible check valve | X | X | X |
| 5852 hydraulic coupler | X | X | X |
| Rugged cast head | X | X | X |
| Locking follower rod | X | X | X |
| Removable end cap | X | X | X |
| Variable stroke/variable pressure | | X | X |
| Multi-port pickup for greasing in tight areas | | X | X |
| Air purge valve | | X | |
| Large piston and bore | | | X |
| High output setting | | | X |
| 360° rotating extension | | | X |
| Quick adjustment handle | | | X |
| Plated barrel, head and handle | | | X |
| Bulk filler nipple | | | X |
| Ergonomic hand grip | | | X |

Heavy-duty lever-type grease guns

Model 1142

Designed for rough treatment on the job with a cast iron pump head, precision fit plunger and extra heavy follower spring.

Model 1147

Same as model 1142 with 18 in. (457 mm) whip hose and coupler.

Model 1148

Premium version of our popular model 1142. This pump head includes dual grease inlet ports that provide the user the option of high pressure or high volume delivery. The tool also includes a comfortable vinyl grip and vent valve for purging air.

Model 1151

Same as model 1142 but holds 21 oz. (595 cm³) bulk.

Model G100 lever action

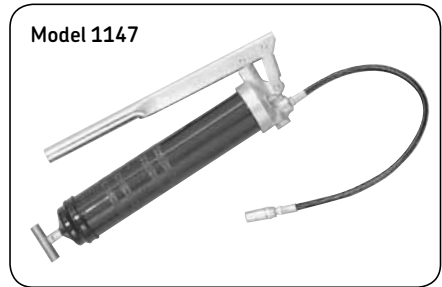
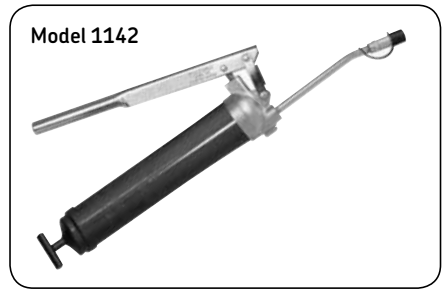
Features non-slip grip, steel block head. Uses standard 14 oz. (397 g) grease cartridge.

Model G103 3 oz. (85 g) lever action

The perfect tool for low-volume greasing applications. Compact and lightweight, it's ideal for do-it-yourself auto repair, lawn and garden, ATV, marine, motorcycles, trailers and more. Unlike other 3 oz. (85 g) models, the G103 incorporates the traditional lever-action design providing better handling and much higher output pressure.

Key features:

- Lever-action design produces 6 000 psi (414 bar), far exceeding mini pistol-grip models
- Cast aluminum head, powder-coated barrel, comfortable vinyl grip
- Uses 3 oz. (85 g) cartridge or can be hand packed or bulk filled
- Conveniently stores in tool box or tray
- Optional 12 and 18 in. (305 and 457 mm) flex hoses available separately
- Jam-proof handle mechanism
- Replaceable hydraulic grease coupler



Lever-type grease guns

| Model | Capacity size | | Cartridge | | Extension | Coupler | Size* | |
|-------------|---------------|-------|-----------|-------|-----------------------------|---------|--------|-----|
| | Bulk | | | | | | | in. |
| – | oz. | grams | oz. | grams | – | – | | |
| 1142 | 16 | 454 | 14.5 | 411 | 62028, 6 in. (152 mm) | 5852 | 21 3/4 | 552 |
| 1147 | 16 | 454 | 14.5 | 411 | 71518, 18 in. (457 mm) hose | 5852 | 21 3/4 | 552 |
| 1148 | 16 | 454 | 14.5 | 411 | 62028, 6 in. (152 mm) | 5852 | 21 3/4 | 552 |
| 1151 | 21 | 595 | 14.5 | 411 | 62028, 6 in. (152 mm) | 5852 | 24 1/2 | 622 |
| G100 | 16 | 454 | 14 | 397 | 5 in. (127 mm) | G300 | 19 | 482 |
| G103 | 3.2 | 90 | 3 | 85 | 62028, 6 in. (152 mm) | G300 | 9 1/2 | 240 |

* Includes rigid extension
 Specifications: output 1 oz. (28 cm³) per 33 strokes using No. 1 grease at 70 °F (21 °C). Barrel diameter 2 1/4 in. (57 mm)

Premium series grease guns

Model 1013



Model 1145



Model 1035



Dual pressure – dual output

Model 1013 and 1145

- High-output setting delivers twice the grease per stroke
- High or low pressure for light- or heavy-duty greasing action
- Full pressure on short strokes for heavy greasing in tight places; develops full pressure with just $\frac{1}{4}$ in. (6,35 mm) stroke
- Extension swivels 360° for hard-to-reach fittings
- Plated barrel, head and handle
- Handy three-way loading: cartridge, filler pump or bulk
- Comfortable, ergonomic grip

Precision high pressure and volume

Model 1035 and 1037

- Exclusive toggle mechanism design uses compound leverage for high-pressure pumping with little effort
- Rust resistant plated gun barrel and handle, black enamel head
- Equipped with filler nipple for fast refill from Lincoln filler pump
- 21 oz. (595 cm³) bulk capacity for heavy-duty greasing applications
- High volume (model 1037) delivers 1 oz. (28 cm³) in just nine strokes

Dual pressure

| Model | Capacity size | | Extension | Size | Maximum pressure | | |
|-------------|---------------|-----------------|-----------|---|------------------|--------------|----------|
| | Bulk | Cartridge | | | psi | bar | |
| – | oz. | cm ³ | – | in. | mm | psi | bar |
| 1013 | 16 | 454 | 14.5 411 | 6 in. (152 mm) model 62028 and model 5852 hydraulic coupler | 22 1/2 572 | 7 000/ 4 000 | 483/ 276 |
| 1145 | 21 | 595 | 14.5 411 | 6 in. (152 mm) model 62028 and model 5852 hydraulic coupler | 25 1/4 641 | 7 000/ 4 000 | 483/ 276 |

Specifications: Output at low pressure 1 oz. (28 cm³) per 18 strokes; at high pressure 1 oz. (28 cm³) per 33 strokes using No. 1 cup grease at 70 °F (21 °C). Barrel diameter 2 1/4 in. (57 mm)

High pressure

| Model | Capacity size | | Extension | Size | Maximum pressure | | |
|-------------|---------------|-----------------|-----------|---|------------------|-------|-----|
| | Bulk | Cartridge | | | psi | bar | |
| – | oz. | cm ³ | – | in. | mm | psi | bar |
| 1035 | 21 | 595 | 14.5 411 | 6 in. (152 mm) model 62028 and model 5845 coupler | 27 1/4 692 | 7 000 | 483 |

Specifications: Lubricant output 1 oz. (28 cm³) per 25 strokes using No. 1 cup grease at 70 °F (21 °C). Barrel diameter 2 1/4 in. (57 mm)

Volume

| Model | Capacity size | | Extension | Size | Maximum pressure | | |
|-------------|---------------|-----------------|-----------|---|------------------|-------|-----|
| | Bulk | Cartridge | | | psi | bar | |
| – | oz. | cm ³ | – | in. | mm | psi | bar |
| 1037 | 21 | 595 | 14.5 411 | 6 in. (152 mm) model 62028 and model 5845 coupler | 27 1/4 692 | 3 000 | 207 |

Specifications: Lubricant output 1 oz. (28 cm³) per 9 strokes using No. 1 cup grease at 70 °F (21 °C). Barrel diameter 2 1/4 in. (57 mm)

Model 1013



Model 1145

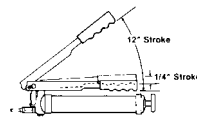


Model 1035



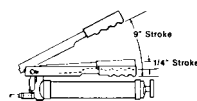
Load pin in rear position for high-output delivery

With handle in rear shift position, grease is delivered at low pressure [maximum 4 000 psi (276 bar)] with strokes from 1/4 to 12 in. (6,35 to 305 mm). Output 1 oz. (28 cm³) per 18 full strokes.



Load pin in front position for high pressure delivery

With handle in front shift position, grease is delivered at high pressure [maximum 7 000 psi (483 bar)] with strokes from 1/4 to 9 in. (6,35 to 229 mm). Output 1 oz. (28 cm³) per 33 full strokes.



Heavy-duty pistol grip-type grease guns



Model 1132

Fast, one-hand operation with similar features and benefits of Lincoln lever-type grease guns. Includes 5 in. (127 mm) extension with coupler.

Model 1133

Same as model 1132 with 18 in. (457 mm) whip hose and coupler.

Model 91108 filler nipple

Enables hand guns to be loaded using filler pump method. Includes ball check; 1/8 in. NPT (m).

Model 82760 grease gun holder

Can be mounted to almost any surface. Holds grease guns and suction guns with 2 1/4 in. OD barrel. Holds guns until ready to use. Not for use with CLR tubes.

Model G160 grease gun holder

Holds grease and suction guns with 2 1/4 in. OD barrel. Mount to any surface. Not for use with CLR tubes.



Model 1134

Extra-heavy-duty pistol grip grease gun. Cast head design. Jam proof handle return mechanism. Develops up to 7 500 psi (517 bar). Includes both 18 in. (457 mm) whip hose with coupler and 6 in. (152 mm) rigid tube. Variable stroke allows a high pressure option for high tolerance applications. Includes combination air bleeder/filler nipple to bulk fill and easily release trapped air.



Pistol grip grease guns

| Model | Capacity size | | Cartridge | | Extension | Coupler | Size | | |
|-------|---------------|-----------------|-----------|-----------------|-----------------|--|------|--------|-----|
| | oz. | cm ³ | oz. | cm ³ | | | – | in. | mm |
| 1133 | 16 | 454 | 14.5 | 411 | 71518 | 18 in. (457 mm) hose | 5852 | 15 1/2 | 394 |
| 1132 | 16 | 454 | 14.5 | 411 | 6 in. (152 mm) | straight pipe | 5852 | 15 1/2 | 394 |
| 1134 | 16 | 454 | 14.5 | 411 | 18 in. (457 mm) | flex hose, 6 in. (152 mm) straight pipe | 5852 | 15 1/2 | 394 |
| G112 | 16 | 454 | 14.5 | 411 | 4 in. (102 mm) | straight pipe | G300 | 19 | 482 |
| G113 | 16 | 454 | 14.5 | 411 | 18 in. (457 mm) | flex hose | G300 | 19 | 482 |

Suction guns

Model 615 suction gun

18 oz. (532 cm³) capacity with 12 in. (304,8 mm) flex hose. Perfect for draining and filling differentials, clutches, power steering reservoirs and transmissions. Needs no priming. Features heavy-duty steel barrel and non-slip knurling.

Model G150 suction gun

Holds up to 17 oz. (503 cm³) of fluid. Flexible nozzle.



Suction guns

| Model | Capacity size | | Cartridge | | Extension | Coupler | Size* | |
|-------------|---------------|-----------------|-----------|-----------------|-----------------|---------|--------|-----|
| | Bulk | | | | | | | |
| – | oz. | cm ³ | oz. | cm ³ | – | – | in. | mm |
| 615 | 18 | 532 | – | – | 12 in. (305 mm) | – | 14 | 356 |
| G150 | 17 | 503 | – | – | 12 in. (305 mm) | – | 13 1/2 | 343 |

* Includes rigid extension
 Specifications: output 1 oz. (28 cm³) per 33 strokes using No. 1 grease at 70 °F (21 °C). Barrel diameter 2 1/4 in. (57 mm)

Clear grease guns and grease gun tubes

Model 1440CLR



Lincoln's premium line of clear grease guns for 100% positive grease identification

Not all grease is created equally – different equipment, machines, bearing types and vehicles require different types of grease. Proper identification of the grease once installed in a grease gun can be challenging. Lincoln's clear tube allows for quick grease identification eliminating the risk of mixing incompatible or unspecified greases.

Built to last – the high strength clear tube and aircraft aluminum adapters create one of the most durable tube assemblies in the industry. Traditional steel tubes are subject to damage in the workplace through drops and hits from other tools. The Lincoln clear tube design is impervious to this type of damage. Its resilient shell eliminates waste from grease bypass.

Military proven – Lincoln's clear tube design was developed successfully for military maintenance support. The clear tube is being used successfully in these harsh environments, and it provides the 100% grease identification they demand.

The clear design enables:

- Positive grease type identification (bulk or cartridge)
- Visual confirmation of quantity of grease remaining in tube (bulk)
- Visual confirmation of air pockets eliminating the loss of prime (bulk)
- Visual confirmation of grease separation or contamination (bulk)
- Perfect concentricity and resilience eliminates bypass (bulk or cartridge)
- Visual recognition of grease brand promotes quality of shop (cartridge)

Model 1142CLR



Model 1100CLR



Clear grease gun models

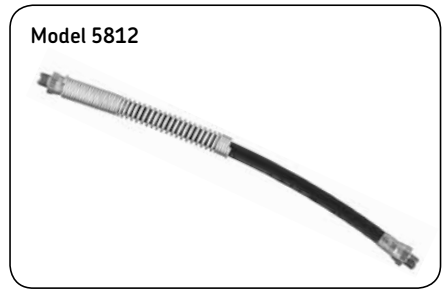
| Model | Description |
|---------|--|
| 1100CLR | Tube only , clear – for easy conversion from standard Lincoln steel tubes |
| 1107CLR | Tube only , clear – for conversion of many competitive models |
| 1134CLR | Gun, heavy-duty pistol with clear tube |
| 1142CLR | Gun, lever with clear tube |
| 1148CLR | Gun, lever deluxe with clear tube |
| 1240CLR | 12 V PowerLuber with clear tube |
| 1440CLR | 14.4 V PowerLuber with clear tube |

Clear tube kits (models 1100CLR and 1107CLR) are available to allow the conversion of grease guns currently in use

Hoses for grease guns and air-operated control valves

Premium extensions for grease guns and air-operated control valves

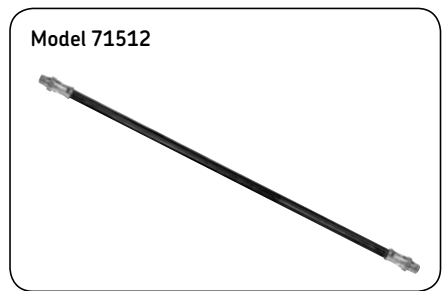
| Model | Description | | Thread size NPT (m) | Maximum pressure Working | |
|-------|-------------|-----|------------------------|-----------------------------|-----|
| | in. | mm | | psi | bar |
| 5812 | 12 | 305 | 1/8 | 4 500 | 310 |
| 5818 | 18 | 457 | 1/8 | 4 500 | 310 |
| 5861 | 36 | 914 | 1/8 | 4 500 | 310 |



Strategically placed coil spring provides nonslip, push-pull grip and prevents accidental kinking which could cause hose ruptures.

Hose extensions for manually operated grease guns, packaged

| Model | Description | | Thread size | | Maximum pressure Working | | Burst pressure | |
|--------|-------------|-----|------------------|-------------------|-----------------------------|-----|----------------|-----|
| | in. | mm | inlet NPT (m) | outlet NPT (m) | psi | bar | psi | bar |
| 71512 | 12 | 305 | 1/8 | 1/8 | 3 000 | 207 | 12 000 | 827 |
| 71518 | 18 | 457 | 1/8 | 1/8 | 3 000 | 207 | 12 000 | 827 |
| G212 | 12 | 305 | 1/8 | 1/8 | 3 500 | 241 | 14 000 | 965 |
| G212S* | 12 | 305 | 1/8 | 1/8 | 3 500 | 241 | 14 000 | 965 |
| G218 | 18 | 457 | 1/8 | 1/8 | 3 500 | 241 | 14 000 | 965 |
| G218S* | 18 | 457 | 1/8 | 1/8 | 3 500 | 241 | 14 000 | 965 |



* With spring guard

Extensions for manually operated grease guns, bulk (unpackaged)

| Model | Description | | Thread size NPT (m) | Maximum pressure Working | | Burst pressure | |
|---------|-------------|-----|------------------------|-----------------------------|-----|----------------|-----|
| | in. | mm | | psi | bar | psi | bar |
| 75912CL | 12 | 305 | 1/8 | 3 000 | 207 | 12 000 | 827 |
| 75918CL | 18 | 457 | 1/8 | 3 000 | 207 | 12 000 | 827 |
| 75924CL | 24 | 610 | 1/8 | 3 000 | 207 | 12 000 | 827 |
| 75936CL | 36 | 914 | 1/8 | 3 000 | 207 | 12 000 | 827 |

Whip hose extensions for PowerLubers



These hoses only fit Lincoln battery-operated PowerLuber grease guns and model 1162 air-operated grease guns.

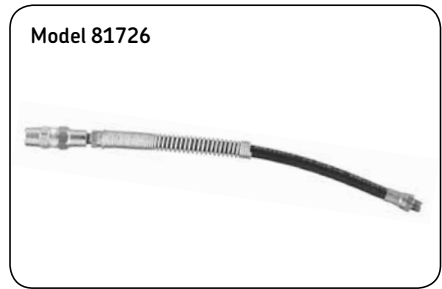
PowerLuber whip hoses

| Model | Description | | Thread size | | Maximum pressure Working | |
|-------|-------------|-----|---------------|-------------------|--------------------------|-----|
| | in. | mm | inlet UNEF | outlet NPT (m) | psi | bar |
| 1218 | 18 | 457 | 7/16 | 1/8 | 7 500 | 517 |
| 1224 | 24 | 610 | 7/16 | 1/8 | 7 500 | 517 |
| 1230 | 30 | 762 | 7/16 | 1/8 | 7 500 | 517 |
| 1236 | 36 | 914 | 7/16 | 1/8 | 7 500 | 517 |

Assemblies for standard hydraulic fittings

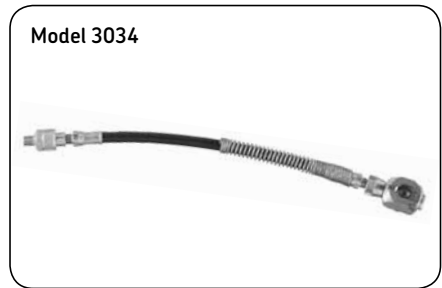
| Model | Whip hose | | Coupler | Thread size NPT (m) | Maximum pressure Working | | |
|--------|-----------|----|---------|------------------------|-----------------------------|-------|-----|
| | in. | mm | | | psi | bar | |
| 81725 | 5818 | 18 | 457 | 5845 | 1/8 | 4 500 | 310 |
| 81726 | 5812 | 12 | 305 | 5845 | 1/8 | 4 500 | 310 |
| 81795* | 5812 | 12 | 305 | 5845 | 1/8 | 4 500 | 310 |

* Includes model 81980 locking sleeve



Assemblies for button-head couplers with swivel

| Model | Whip hose | | Coupler | Thread size NPT (m) | Maximum pressure Working | | |
|-------|-----------|----|---------|------------------------|-----------------------------|-------|-----|
| | in. | mm | | | psi | bar | |
| 3029 | 5812 | 12 | 305 | 80933/large | 1/8 | 4 000 | 276 |
| 3034 | 5812 | 12 | 305 | 81458/standard | 1/8 | 4 000 | 276 |
| 3055 | 5861 | 36 | 914 | 81458/standard | 1/8 | 4 000 | 276 |
| 3056 | 5861 | 36 | 914 | 80933/large | 1/8 | 4 000 | 276 |



Flexible and rigid extension adapter

Model 5858

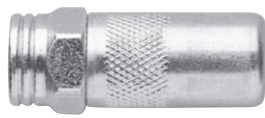
Maximum working pressure 5 000 psi (345 bar). Allows operator to switch from flexible to rigid extension with one hand. Overall length 13 in. (330 mm). 1/8 in. NPT (m). For use on hand guns or air operated grease control valves.

WARNING!
Whip hose models 3029, 3034, 5812, 5818, 5861, 81725, 81726, 81795

Install as shown



Model 5852



Grease couplers

Hydraulic couplers – standard

- 6 000 psi (408 bar) maximum operating pressure.
- For all hydraulic type grease fittings.
- Small outside diameter permits easy contact with recessed fittings.
- Built-in ball check prevents leak and lubricant backup.
- Inlet 1/8 in. NPT (f).
- Bulk model 245978

Model 5845 heavy-duty

- 7 500 psi (517 bar) maximum operating pressure.
- 11/16 in. hex
- Inlet 1/8 in. NPT (f)
- Bulk model 245976

Model 5848 adapter

- 7 500 psi (517 bar) maximum operating pressure.
- Built-in swivel allows full 360° circle.
- Locks in any one of eight 45° positions.
- Adjustable coupler section permits contact with fittings in reverse positions.
- Angle body has 1/8 in. NPT (f) inlet permits addition of pipe extension when required.

Model G300 standard grease coupler

For use with most hand-operated grease guns and equipment. 1/8 in. NPT 4-jaw design.



Hydraulic coupler displays

Hydraulic coupler displays

Model 5852

- One hydraulic coupler in a resealable clamshell.
- 3-jaw design

Model 5852-2

- Two hydraulic couplers in the same clamshell as model 5852.

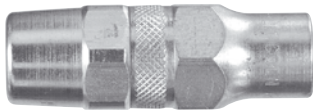
Model 5852-5

- Contains five couplers; reduces cost per unit.

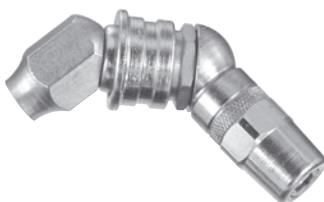
Model 5852-54 counter display

- Contains 54 couplers in a displayable box; best value.

Model 5845



Model 5848



Model G300



Special access grease couplers

Model 5883 90° grease coupler

- Provides access to difficult to reach fittings.
- Allows for easy lubrication in tight areas.

Button-head couplers and adapters

Model 80933

4 000 psi (276 bar) maximum operating pressure. For pull-on, push-on or hook-on service. Use with large $\frac{7}{8}$ in. (22 mm) diameter button-head fittings. $\frac{7}{16}$ in. -27 (f) thread.

Model 81458

Same as model 80933 except for $\frac{5}{8}$ in. (16 mm) diameter button-head fittings.

Model 10460

5 000 psi (345 bar) maximum operating pressure. For adapting standard or large button-head couplers to hose with $\frac{1}{8}$ in. NPT connections. $\frac{1}{8}$ in. NPT (f) x $\frac{7}{16}$ in. -27 (m) thread. Use gasket model 31138, not included.

Model 10536

4 500 psi (310 bar) maximum operating pressure. For adapting standard or large button-head couplers to hose with $\frac{3}{8}$ in. NPT connections. $\frac{3}{8}$ in. NPT (f) x $\frac{7}{16}$ in. -27 (m) thread. Use gasket model 31138, not included.

Model 5883



Model 81458



Model 10536



Model 5834



Model 5853



Model 62028



Model 5884*



Model 5859*



Model 5855*



Model 81980*



Model 5849*



Grease coupler extensions and adapters

Model 5834

7 500 psi (517 bar) maximum operating pressure. Includes model 5845 coupler and model 62028 6 in. (152 mm) extension tube. 1/8 in. NPT (m) connection.

Model 5853

6 000 psi (408 bar) maximum operating pressure. Includes model 5852 hydraulic coupler and model 62028 6 in. (152 mm) extension tube. 1/8 in. NPT (m) connection.

Rigid extensions

Model 62028

6 in. (152 mm) length. Tough, heavy-wall seamless steel tubing. 1/8 in. NPT (m) at each end.

Model 62061

Same as model 62028 except 12 in. (305 mm) length.

Model 62117

Same as 62028 except 18 in. (457 mm) length.

Quick-connect grease accessories

Model 5884*

Contains model 5883 90° grease coupler plus a quick-connect locking sleeve for fast access to hard-to-reach lube points.

Model 5859 angle*

- 90° angle solves problem of contacting so-called “inaccessible” grease fittings.
- Design eliminates need to remove “deep dish” wheels for lubrication of the tie rod ends and ball joints.
- Use to service cars, truck, machines and farm equipment.

Model 5855 recessed*

Straight extension. Use to lubricate recessed fittings where obstructions will not permit use of hydraulic coupler. Includes extension and locking sleeve.

Model 81980 locking sleeve*

For adapting any 1/8 in. NPT (m) extension to a hydraulic coupler.

Model 5849 360 degree*

7 500 psi (517 bar) maximum operating pressure. Includes model 5848 360° coupler for full swivel, 2 in. (51 mm) steel extension tube and locking sleeve.

* With quick-connect locking sleeve.

WARNING!

Never point needle nozzles, adapters or coupler at any part of the body or another person.

Needle nozzles

Model 5803

Allows operator to contact flush type or hard-to-reach hydraulic type fittings. 1/8 in. NPT (f) thread.

Model 5806

Same as model 5803 except 6 in. (152 mm) length.

Model 82784*

Same as model 5803 except with extension and locking sleeve.

Model 83278*

Use to lubricate U-joints and spindles. Attaches to hydraulic coupler of control valve or grease gun. Includes rubber tip.

Impact fitting cleaner

Model 5805

- Clears hardened grease from fittings/joints.
- Includes steel drive cylinder, piston, safety shield, high-pressure hose and model 5852 coupler and carrying case.

Grease injection tool

Model 5807*

- Provides a solution to noisy sealed bearings, joints, chassis pivot points, dry splines, etc.
- Provides a way to apply a long-lasting lubricant into close-fitting areas
- Allows access into difficult-to-reach areas
- Includes a quick-connect coupler to limit grease by-pass
- Includes a threaded protective cap that removes and reattaches safely and easily
- Quickly attaches to all 3- and 4-jaw grease couplers
- For use with hand guns only

Grease adapter kit

Model 58000*

Heavy-duty lube accessory kit contains quick-connect versions of seven of Lincoln's most popular lube accessories. Use with all standard grease guns and dispensing devices. Includes models: 5849, 5855, 5859, 5884, 81795, 82784 and 83278.

* *With quick-connect locking sleeve.*

Model 5803



Model 82784*



Model 83278*



Model 5805*



Model 5807*



Model 58000



WARNING!

Never point needle nozzles, adapters or coupler at any part of the body or another person.

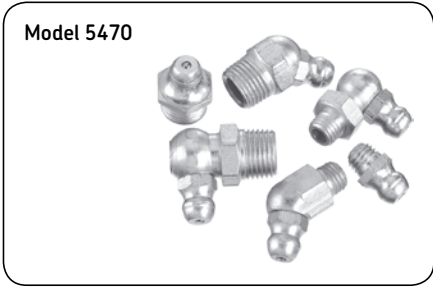
Packaged grease fittings



Model 5468



Model 5470



Model 5470

Packaged fittings – U.S. threads

All the most popular fittings and sizes.

Model 5468 Mini

Ten assorted grease fittings in three popular sizes, blister packed on one card.

Model 5470 economy

24 assorted grease fittings in six popular sizes, blister packed on one card.

Model 5468 – assortment contents

| Quantity | Description |
|----------|-----------------|
| – | in. |
| 6 | 1/4-28 straight |
| 2 | 1/4-28 45° |
| 2 | 1/4-28 90° |

Model 5470 – assortment contents

| Quantity | Description |
|----------|--------------------------------|
| – | in. |
| 6 | 1/8 NPT straight |
| 6 | 1/4-28 straight, short thread |
| 3 | 1/8 NPT 45° angle |
| 3 | 1/4-28 45° angle, short thread |
| 3 | 1/8 NPT 90° angle |
| 3 | 1/4-28 90° angle, short thread |

Model 5469

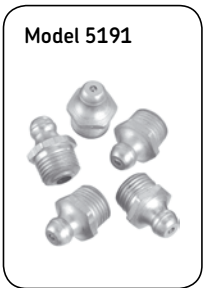


Model 5469 deluxe

100 assorted grease fittings in six popular sizes. Sturdy, easy to handle transparent dispenser box has labeled and illustrated compartments.

Model 5469 – assortment contents

| Quantity | Description |
|----------|--------------------------------|
| – | in. |
| 20 | 1/8 NPT straight |
| 40 | 1/4-28 straight, short thread |
| 10 | 1/4-28 45° angle, short thread |
| 10 | 1/8 NPT 65° angle |
| 10 | 1/8 NPT 90° angle |
| 10 | 1/4-28 90° angle, short thread |



Model 5191



Model 5291



Model 5290



Model 5490

1/4 in.-28 SAE taper thread packs

Short thread grease

| Model | Description |
|-------|---------------------------------|
| – | in. |
| 5191 | Card of (10) straight fittings |
| 5291 | Card of (10) 45° angle fittings |
| 5491 | Card of (10) 90° angle fittings |

1/8 in. NPT pipe thread packs

Grease fittings

| Model | Description |
|-------|---------------------------------|
| – | in. |
| 5190 | Card of (10) straight fittings |
| 5290 | Card of (10) 45° angle fittings |
| 5490 | Card of (10) 90° angle fittings |

Hand-held greasing tools and accessories – packaged grease fittings

Packaged fittings – metric threads

All the most popular fittings and sizes.

Model 5184 Mini

An assortment of three of the most used 6 mm sizes and configurations blister packed on one card.

Model 5184 – assortment contents

| Quantity | Description |
|----------|---------------|
| – | mm |
| 6 | 6 mm straight |
| 2 | 6 mm 45° |
| 2 | 6 mm 90° |

Model 5184



Model 5185 economy

30 grease fittings in three of the most popular 6 mm metric sizes blister packed on one convenient card.

Model 5185 – assortment contents

| Quantity | Description |
|----------|---------------|
| – | mm |
| 16 | 6 mm straight |
| 6 | 6 mm 45° |
| 8 | 6 mm 90° |

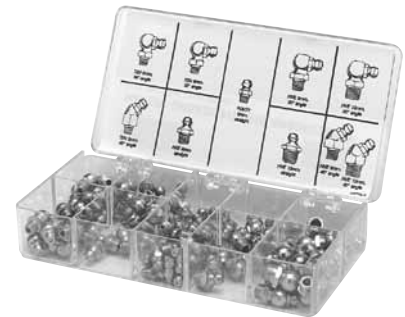
Model 5186 deluxe

100 assorted grease fittings in all the most popular metric sizes. Sturdy, easy to handle dispenser box has labeled and illustrated compartments.

Model 5186 – assortment contents

| Quantity | Description |
|----------|----------------|
| – | mm |
| 40 | 6 mm straight |
| 20 | 6 mm 45° |
| 10 | 6 mm 90° |
| 5 | 8 mm straight |
| 5 | 8 mm 45° |
| 5 | 8 mm 90° |
| 5 | 10 mm straight |
| 5 | 10 mm 45° |
| 5 | 10 mm 90° |

Model 5186



Boxed and bulk grease fittings



Bulk and boxed fittings – 1/8 in. NPT thread

| Model Bulk (each) | Model 100 piece box | Description | Size | |
|----------------------|------------------------|-------------|-------|------|
| – | – | – | in. | mm |
| 5000 | 5000C | Straight | 21/32 | 16,7 |
| 5003 | 5003C | Straight | 1 1/4 | 31,8 |
| 5200 | 5200C | 45° angle | 7/8 | 22,2 |
| 5300 | 5300C | 65° angle | 29/32 | 23,1 |
| 5400 | 5400C | 90° angle | 27/32 | 21,4 |

Bulk and boxed fittings – 1/4 in. NPT thread

| Model Bulk (each) | Model 100 piece box | Description | Size | |
|----------------------|------------------------|-------------------|--------|------|
| – | – | – | in. | mm |
| 5050 | 5050C | 1/4 NPT straight | 15/16 | 23,8 |
| 5350 | 5350C | 1/4 NPT 65° angle | 1 5/32 | 29,4 |



Bulk and boxed fittings – 1/4 in.-28 NPT thread

| Model Bulk (each) | Model 100 piece box | Description | Size | |
|----------------------|------------------------|--------------------------|-------|------|
| – | – | – | in. | mm |
| 5010 | 5010C | Straight – short thread | 1/2 | 12,7 |
| 5013 | 5013C | Straight – long thread | 11/16 | 17,5 |
| 5527 | 5527C | Straight – short thread | 31/64 | 12,3 |
| 5210 | 5210C | 45° angle – short thread | 7/8 | 22,2 |
| 5410 | 5410C | 90° angle – short thread | 25/32 | 19,8 |



Bulk and boxed fittings – metric threads

| Model Bulk (each) | Model 100 piece box | Description | Size | |
|----------------------|------------------------|-------------|------|------|
| – | – | – | mm | in. |
| 5175 | 5175C | Straight | 6 | 0.24 |
| 5176 | 5176C | 45° | 6 | 0.24 |
| 5177 | 5177C | 90° | 6 | 0.24 |
| 5178 | 5178C | Straight | 8 | 0.32 |
| 5179 | 5179C | 45° | 8 | 0.32 |
| 5180 | 5180C | 90° | 8 | 0.32 |
| 5181 | 5181C | Straight | 10 | 0.39 |
| 5182 | 5182C | 45° | 10 | 0.39 |
| 5183 | 5183C | 90° | 10 | 0.39 |

Button head fittings

| Model Bulk | Model 100 piece box | Description | Size | |
|---------------|------------------------|--------------------|-------|------|
| – | – | in. | in. | mm |
| 5701 | 5701C | 1/8 NPT (m) thread | 25/32 | 19,8 |
| 5706 | 5706C | 1/4 NPT (m) thread | 53/64 | 21,0 |



Drive-type fittings

| Model Bulk (each) | Model 100 piece box | Description | Size | | Diameter | |
|----------------------|------------------------|-------------|-------|------|----------|-----|
| – | – | – | in. | mm | in. | mm |
| 5033 | 5033C | Straight | 9/16 | 14,3 | 3/16 | 4,8 |
| 5385 | 5385C | 65° angle | 13/16 | 20,6 | 3/16 | 4,8 |
| 5318 | – | 65° angle | 49/64 | 19,4 | 1/4 | 6,4 |
| 5031 | 5031C | Straight | 37/64 | 14,7 | 5/16 | 7,9 |



Important ordering information

To order **bulk fittings**: specify exact quantity desired. Product will arrive in one package containing that quantity.

To order **100 piece boxed fittings**: specify exact quantity of boxes desired. Product will arrive in boxes containing 100 fittings each.



Grease fitting thread adapters, bushings, angle bodies and tools

Metric thread adapters

Convert any 1/4 in.-28 thread grease fitting to metric thread.

Metric thread adapters

| Model | Size NPT |
|----------------|--------------------|
| – | in. |
| 103307E | 6 mm x 1/4-28 (f) |
| 103308E | 8 mm x 1/4-28 (f) |
| 103309E | 10 mm x 1/4-28 (f) |



Fitting bushings and angle bodies

Fitting bushings and angle bodies

| Model | Description | Size NPT |
|--------------|----------------|----------------------|
| – | – | in. |
| 10461 | Hex bushing | 1/8 (f) x 1/4 (m) |
| 10787 | Face bushing | 1/8 (f) x 1/4 (m) |
| 20028 | 45° angle body | 1/8 (f) x 1/8 (m) |
| 20029 | 90° angle body | 1/8 (f) x 1/8 (m) |
| 20026 | 90° angle body | 1/4-28 (m) x 1/8 (f) |



Easy-out tools

A combination tool used to remove worn or broken fittings and to retap holes for installation of new fittings. Tool contains sockets for removing both straight and angle fittings. May also be used to remove old pin-type fittings.

Model 66953

For tapping 1/4 in.-28 threads and removal of both 3/8 and 5/16 in. hex. straight or angle fittings.

Model 90776

For tapping 1/8 in. NPT threads and removal of 7/16 in. hex. straight or angle fittings.

Model G904 small 4-way grease fitting tool

For tap repair of damaged threads (1/4 in. -28 NPT) and removal of broken fittings.

Model G905 large 4-way grease fitting tool

For tap repair of damaged threads (1/8 in. NPT) and removal of broken fittings.

Fitting drive tools

Model 11485

Use to install straight drive-type fittings only.

Model 11509

Use to install angle drive-type fittings only.

Model 90776



Model G904



Model G905



Model 11485



Model 11509



Lincoln bearing packers

Model 224



Flush and pack in one operation eliminating inefficient and messy hand packing.

Model 224

Universal bearing packer forces out old grease while evenly injecting fresh grease. Pack bearing up to 4 1/2 in. OD. Connects to standard grease coupler.

Model 816



Model 816

Serves bearings with 5/8 to 1 1/2 in. ID. This versatile, compact unit mounts on work-bench or wall. Bearing is flushed and packed by contacting fitting in packer head with power gun control valve or by high-pressure hand gun. Overall dimension (height x width): 4 1/2 x 4 in. (114 x 102 mm) 3 1/4 in. OD.

Model 102891



Model 102891

Bearing packer head only; for bench mounting or attachment to any Lincoln air-operated economy, series 20 or 40 grease pump. Serves bearings 1 3/4 to 9 1/2 in. OD with minimum ID of 9/16 in. Accepts grease through fitting from high-pressure control valve or hand gun. For bench mount use 1/2 in. (12,7 mm) pipe flange.

Model 844

Servicing bearings to 9 1/2 in. OD with minimum 9/16 in. ID. Includes adapter model 45987 to service bearings from 1 to 1 3/4 in. OD. For use with 120 lb. (54 kg) original refinery container (not included). Includes model 84780 universal follower.

- Specifications:
 - Maximum pressure 800 psi (55 bar).
1 oz. (28 ml) per stroke.
- Finish:
 - Drum cover in red enamel, pump head and handle in black.
- Dimensions:
 - Overall height 41 7/8 in. with standard 120 lb. (54 kg) drum.

Model 102697 super speed packer

Servicing bearings with 5/8 to 1 1/2 in. ID with up to 3 1/4 in. OD on passenger cars, light trucks and farm vehicles. Clamps securely on 25 to 50 lb. (11 to 22 kg) original refinery container. Primes easily and pumps efficiently even when using heavy greases at low temperatures. Includes flexible follower.

- Finish:
 - Drum cover in red enamel.
- Dimensions:
 - Overall height 21 in.

Model 102929

Same as model 102697 except has larger packer head to service bearing to 9 1/2 in. OD with minimum ID of 9/16 in. Includes adapter to permit servicing smaller bearings of 1 to 1 3/4 in. OD. Includes flexible follower plate.

Model 844



Model 102697



Model 102929





PowerMaster pumps



PMV pumps



Air-operated diaphragm pumps



Manual rotary pumps



Series 20, 25, 40 pumps

Pumps and accessories

| | |
|---|------------|
| PMV pump family | 42 |
| PMV oil pumps | 46 |
| PMV oil pump accessories | 51 |
| PMV grease pumps | 54 |
| PMV grease pump accessories | 59 |
| Series 20, 25 and 40 medium-pressure oil pumps | 61 |
| Medium-pressure oil pumps | 61 |
| Medium-pressure oil pump accessories | 68 |
| High-pressure grease pumps | 71 |
| High-pressure grease pump accessories | 78 |
| PowerMaster pumps | 79 |
| PowerMaster III pumps | 79 |
| PowerMaster III air-operated oil pumps | 84 |
| PowerMaster III grease pumps | 85 |
| PowerMaster II pumps | 87 |
| PowerMaster II air-operated oil pumps | 90 |
| PowerMaster II grease pumps | 91 |
| PowerMaster III and II pump accessories | 92 |
| Hydraulic PowerMaster motor | 97 |
| Air-operated diaphragm pumps | 103 |
| Air-operated diaphragm pump accessories | 105 |
| Transfer pumps | 106 |
| Transfer pump accessories | 108 |
| Bulk oil systems | 109 |
| Series 20 corrosive fluids pumps | 111 |
| Value series transfer pumps | 112 |
| Heavy-duty air-operated grease pumps | 114 |
| Heavy-duty air-operated grease pump accessories | 118 |
| Manually operated high-pressure grease pumps | 120 |
| Manually operated grease pump accessories | 122 |
| Gear lube and ATF pumps | 123 |
| Rotary drum pumps | 127 |

PMV pump family

Designed for exceptional performance, long service life, low maintenance cost

Lincoln's new PMV family of grease and oil pumps represents 100 years of high-quality engineering, technology and manufacturing. The unique, modular design of these pumps includes precision-machined parts made with durable materials which allows for a longer pump life.

Based on Lincoln's proven PowerMaster III air logic pump technology, PMV is a simple design with few moving parts. This translates to exceptional performance, long service life and low maintenance cost.



PMV features and benefits

Air valve assembly

- Proven design based on the PowerMaster III air logic pump technology
 - More than 25 years of precision pump engineering ensures dependable, quiet performance
- Modular, fastened by four bolts
 - Quick and easy to maintain throughout the service life of the pump
- Precision machined and made from aircraft aluminum
 - Precise, durable and less susceptible to temperature than plastic spools
- Runs without external lubrication
 - Reduces cost of ownership
- No springs, rods, levers or slides
 - Fewer parts to wear out, increasing durability, decreasing repair cost
- Designed to work in a contaminated air supply

Air cylinder

- One-piece cylinder casting contains all ports and passages
 - Simplifies repairs
- One-piece piston
 - No connection to any rods, spools, springs or poppets reduces premature mechanical failures, simplifies repairs
- One o-ring on the piston
 - Reduces leak paths, improves durability

Pump tube

- One-piece, machined gland nut
 - Easy to maintain over the life of the pump
- Divorced pump tube and air motor seal
 - Air motor seal is a separate o-ring which reduces the chance of contamination in the motor

Pump seals

- Made from durable polyurethane
 - Compatible with a wide range of natural and synthetic lubricants
- PMV grease pumps and 5:1 and 10:1 oil pumps feature copper gasket seal between externally threaded pump tube and outlet body; 6:1 pump uses polyurethane seal on internal pump tube threads
 - Helps to ensure a positive seal against extreme pressure conditions

Pump rod

- Hard-chrome plated
 - Allows for superior sealing and extends the life of the rod

Outlet check

- For oil pump models
- Protects pump from system back pressure

Air valve assembly



Air cylinder



One-piece cylinder casting



O-ring



One-piece gland nut



Pump rod



5:1 bare pump



Model
V305000000

10:1 bare pump



Model
V410000000

6:1 bare pump



Model
V406000000

Oil pumps with 10 W 30 motor oil

PMV 3 in. 5:1 pumps¹⁾

Reels with 50 ft. (15,24 mm) x 1/2 in. ID hose (model 94354)
Electronic meters (models 905, 953, 954)

5/8 OD x 0.049 in. (1,24 mm) wall tubing
3/4 OD x 0.049 in. (1,24 mm) wall tubing

PMV 4.25 in. 10:1 pumps¹⁾

Reels with 50 ft. (15,24 mm) x 1/2 in. ID hose (model 94354)
Electronic meters (models 905, 953, 954)

5/8 OD x 0.049 in. (1,24 mm) wall tubing
3/4 OD x 0.049 in. (1,24 mm) wall tubing

PMV 4.25 in. 6:1 pumps^{2), 3)}

Reels with 50 ft. (15,24 mm) x 1/2 in. ID hose (model 94354)
Electronic meters (models 905, 953, 954)

1.25 in. sch. 40 seamless pipe
1.5 in. sch. 40 seamless pipe

All systems based on 100 psi (6,89 bar) air input and 70 °F (21 °C)

¹⁾ Two simultaneous dispenses at 1 gallon/min. (3,78 liter/min.) each

²⁾ Four simultaneous dispenses at 1 gallon/min. (3,78 liter/min.) each

³⁾ 6:1 pumps are for stub or wall mount only. Not for use with bung bushings.

Grease pumps with NLGI #1 grease

PMV 3 in. 50:1 pumps⁴⁾

Reels with 50 ft. (15,24 mm) x 3/8 ID hose (model 94553)
Control valve and swivel (models 3050, 81729)

5/8 OD x 0.083 in. (2,11 mm) wall tubing
5/8 OD x 0.083 in. (2,11 mm) wall tubing

PMV 4.25 in. 50:1 pumps⁵⁾

Reels with 50 ft. (15,24 mm) x 3/8 ID hose (model 94553)
Control valve and swivel (models 3050, 81729)

3/4 OD x 0.109 in. (2,769 mm) wall tubing
1 in. sch. 160 pipe

All systems based on 100 psi (6,89 bar) air input and 70 °F (21 °C)

⁴⁾ Two simultaneous dispenses at 0.125 lbs./min. (56,7 grams/min.) each

⁵⁾ Four simultaneous dispenses at 0.125 lbs./min. (56,7 grams/min.) each

1 Values are for typical systems

2 Some of the factors that affect actual system's performance

2.1 Temperature

2.2 Viscosity

2.3 Number and type of fitting (elbows, tees, reducers) and connecting hoses

2.4 Air supply – pressure, scfm, line size

3 Lincoln can provide system design and/or performance parameters for any specific application. Contact your representative.

4 For specific installations, please refer to Lincoln's Vehicle Service Planning Manual

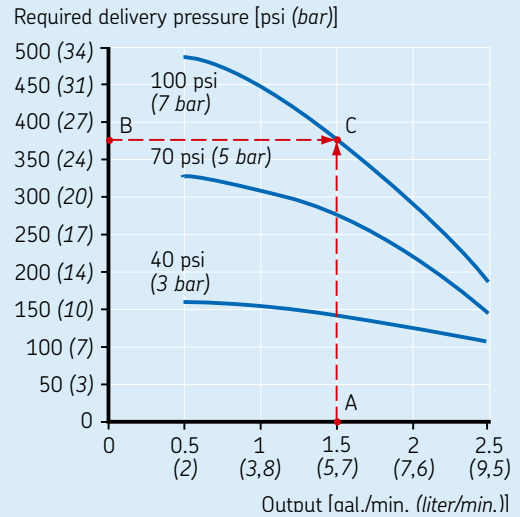
Pump performance curves

Material discharge pressure

To find material discharge pressure [psi (*bar*)] at a specific delivery [gal./min. (*liter/min.*)] and air pressure [psi (*bar*):

- 1 Locate required gal./min. (*liter/min.*) output along bottom of scale (example 1.5 gal./min.)
- 2 Locate system pressure requirement from calculations along the vertical right scale (example 375 psi)
- 3 Plot intersection of two points on the graph
 - 3.1 If intersection falls on or below a solid air PSI curve, then the pump will be OK for the given output and pressure requirements.

Material discharge pressure

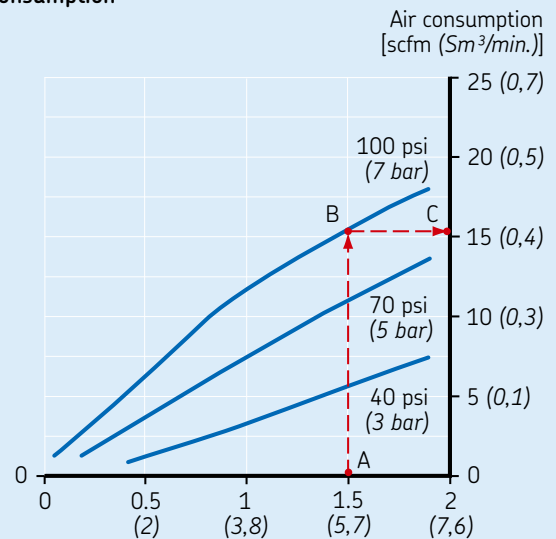


Air consumption

To find air consumption [scfm (*Sm³/min.*)] at a specific delivery [gal./min. (*liter/min.*)] and air pressure [psi (*bar*):

- 1 Locate required delivery along bottom of scale (example 1.5 gal./min.)
- 2 Follow vertical line up to where it intersects with air pressure curve (dashed line)
- 3 Follow the line horizontally to the right column of chart to determine air consumption

Air consumption

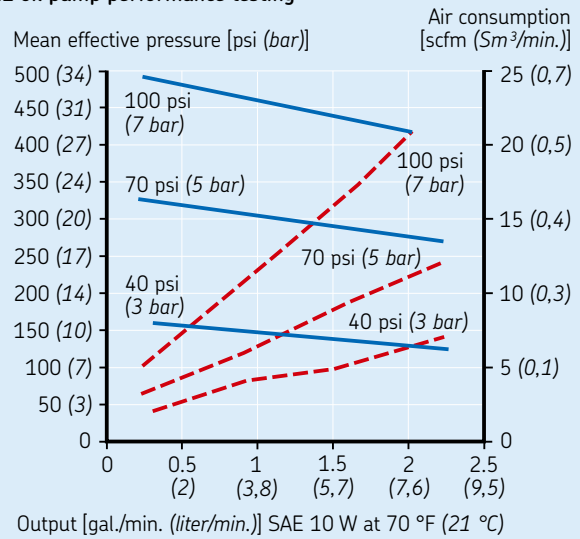


5:1 oil pump technical data

| | |
|--------------------------------|--|
| Pumping ratio | 5:1 |
| Air pressure | 40 to 150 psi (2,7 to 10,3 bar) |
| Maximum output pressure | 750 psi (51,7 bar) |
| Air inlet | 3/8 NPTF |
| Material outlet | 1/2 NPTF |
| Material inlet | 1 1/2 NPTF |
| Airmotor bore diameter | 3 in. (76,2 mm) |
| Stroke | 3 1/4 in. (82,5 mm) |
| Output per cycle | 6.7 cu. in. (110 cm ³) |
| Cycles per gallon | 34.5/gallons (9,1/liter) |
| Wetted parts | Carbon steel, brass, zinc, polyurethane, nitrile |
| Free flow | 7 gallon/min. (26,5 liter/min.) |
| Overall length (stub) | 17 3/8 in. (442 mm) |

Decibels less than 85 at all normal operating conditions

5:1 oil pump performance testing

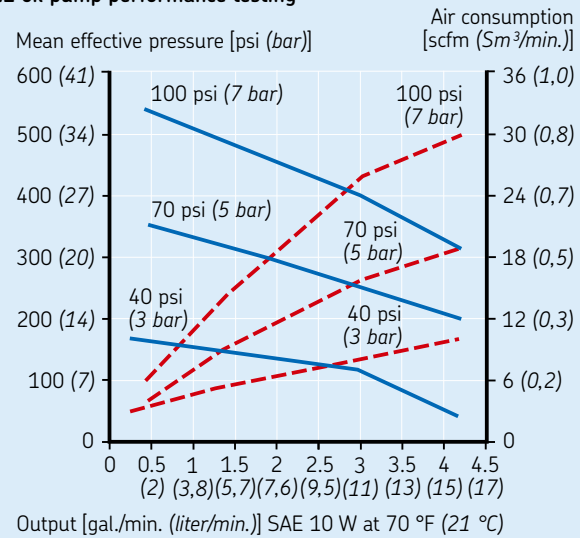


6:1 oil pump technical data

| | |
|--------------------------------|--|
| Pumping ratio | 6:1 |
| Air pressure | 40 to 150 psi (2,7 to 10,3 bar) |
| Maximum output pressure | 900 psi (62 bar) |
| Air inlet | 3/8 NPTF |
| Material outlet | 1/2 NPTF |
| Material inlet | 1 1/2 NPTF |
| Airmotor bore diameter | 4 1/4 in. (108 mm) |
| Stroke | 3 1/4 in. (82,5 mm) |
| Output per cycle | 11.9 cu. in. (195 cm ³) |
| Cycles per gallon | 19.4/gallons (5,1/liter) |
| Wetted parts | Carbon steel, brass, zinc, polyurethane, nitrile |
| Free flow | 7 gallon/min. (26,5 liter/min.) |
| Overall length (stub) | 18 7/8 in. (480 mm) |

Decibels less than 85 at all normal operating conditions

6:1 oil pump performance testing

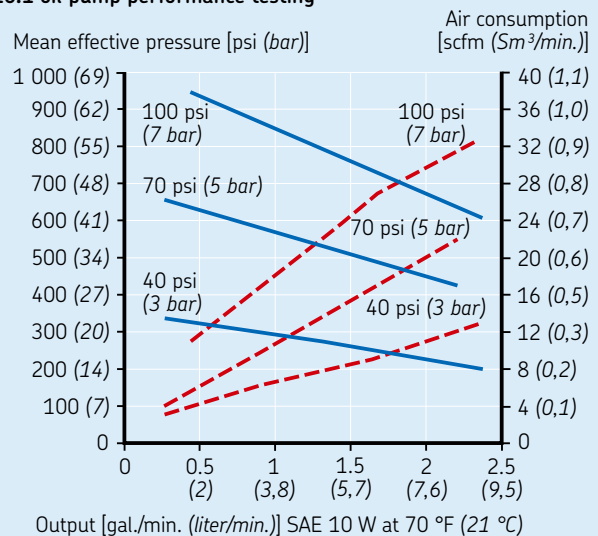


10:1 oil pump technical data

| | |
|--------------------------------|--|
| Pumping ratio | 10:1 |
| Air pressure | 40 to 150 psi (2,7 to 10,3 bar) |
| Maximum output pressure | 1 500 psi (103 bar) |
| Air inlet | 3/8 NPTF |
| Material outlet | 1/2 NPTF |
| Material inlet | 1 1/2 NPTF |
| Airmotor bore diameter | 4 1/4 in. (108 mm) |
| Stroke | 3 1/4 in. (82,5 mm) |
| Output per cycle | 7.2 cu. in. (118 cm ³) |
| Cycles per gallon | 32.1/gallons (8,5/liter) |
| Wetted parts | Carbon steel, brass, zinc, polyurethane, nitrile |
| Free flow | 5 gallon/min. (18,4 liter/min.) |
| Overall length (stub) | 17 7/16 in. (443 mm) |

Decibels less than 85 at all normal operating conditions

10:1 oil pump performance testing



PMV 3 in. (76,2 mm) oil pumps

Model V30500SSU

Package includes:

- Bare pump model V305000000
- Stub/universal kit model K00000SSU
 - Bung bushing model 85824
 - Air coupler/nipple model 5874/5875
 - 3/8 in. x 2 ft. (0,6 m) air hose model 72024A
 - 1/2 in. x 2 ft. (0,6 m) fluid hose model 73024
 - 90° swivel model 241584

Model V305055BB

Package includes:

- Bare pump model V305000000
- 55 gallon (208 liter) bung mount kit model K000055BB
 - Bung bushing model 85824
 - Air coupler/nipple model 5874/5875
 - 3/8 in. x 5 ft. (1,5 m) air hose model 273299
 - 1/2 in. x 5 ft. (1,5 m) fluid hose model 73060
 - Down tube model 85807
 - 90° swivel model 241584

Model V305016DC

Package includes:

- Bare pump model V305000000
- 16-gallon (60,6 liter) drum cover kit model K000016DC
 - Drum cover model 85826
 - Suction tube model 85806
 - Air coupler/nipple model 5874/5875
 - 3/8 in. x 5 ft. (1,5 m) air hose model 273299
 - 1/2 in. x 5 ft. (1,5 m) fluid hose model 73060

Model V30500SSU



Model V305055BB



Model V305016DC



Model V305275BB



Model V305275BB

Package includes:

- Bare pump model V305000000
- 275 gallon (1 041 liter) pump mount kit model K000275BB
 - Bung bushing model 85824
 - Air coupler/nipple model 5874/5875
 - 3/8 in. x 5 ft. (1,5 m) air hose model 273299
 - 1/2 in. x 5 ft. (1,5 m) fluid hose model 73060
 - Universal suction tube model 85949

Model V305005WM



Model V305005WM

Package includes:

- Bare pump model V305000000
- Remote suction kit model 84945
- Wall mount kit model 275398
 - Air coupler/nipple model 5874/5875
 - 3/8 in. x 5 ft. (1,5 m) air hose model 273299
 - 1/2 in. x 5 ft. (1,5 m) fluid hose model 73060
 - 90° swivel model 241584
 - Wall mount assembly model 275413

Model V305055LT



Model V305055LT

Package includes:

- Bare pump model V305000000
- Drum cover and hose kit model K000055LT
 - 400 lb. (181 kg) drum cover with tie rods model 83115
 - Down tube model 85807
 - Lifting eye model 275415
 - Air coupler/nipple model 5874/5875
 - 3/8 in. x 5 ft. (1,5 m) air hose model 273299

PMV 4.25 in. (108 mm) oil pumps

Model V40600SSU 6:1 stub pump

Package includes:

- Bare pump model V406000000
- 6:1 stub kit model K40600SSU
 - Air coupler/nipple model 5874/5875
 - $\frac{3}{8}$ in. x 2 ft. (0,6 m) air hose model 72024A
 - $\frac{1}{2}$ in. x 2 ft. (0,6 m) fluid hose model 73024
 - 90° swivel model 241584

Model V40600SWM 6:1 wall mount pump

Package includes:

- Bare pump model V406000000
- Remote suction kit model 84945
- Wall mount kit model 275398
 - Air coupler/nipple model 5874/5875
 - $\frac{3}{8}$ in. x 5 ft. (1,5 m) air hose model 273299
 - $\frac{1}{2}$ in. x 5 ft. (1,5 m) fluid hose model 73060
 - 90° Swivel model 241584
 - Wall mount assembly model 275413

Model V41000SSU 10:1 stub/universal pump

Package includes:

- Bare pump model V410000000
- Stub/universal kit model K00000SSU
 - Bung bushing model 85824
 - Air coupler/nipple model 5874/5875
 - $\frac{3}{8}$ in. x 2 ft. (0,6 m) air hose model 72024A
 - $\frac{1}{2}$ in. x 2 ft. (0,6 m) fluid hose model 73024
 - 90° swivel model 241584

Model V41005DC 10:1 55 gallon (208 liter) pump with drum cover

Package includes:

- Bare pump model V410000000
- 55-gallon (208 liter) drum cover kit model K000055DC
 - Drum cover model 85827
 - Suction tube model 85807
 - 90° swivel model 241584
 - Air coupler/nipple model 5874/5875
 - $\frac{3}{8}$ in. x 5 ft. (1,5 m) air hose model 273299
 - $\frac{1}{2}$ in. x 5 ft. (1,5 m) fluid hose model 73060

Model V40600SSU



Model V40600SWM



Model V41000SSU



Model V410055DC



Model V410055BB



Model V410055BB 10:1 55 gallon (208 liter) pump with bung bushing

Package includes:

- Bare pump model V410000000
- 55 gallon (208 liter) bung mount kit model K000055BB
 - Air coupler/nipple model 5874/5875
 - 3/8 in. x 5 ft. (1,5 m) air hose model 273299
 - 1/2 in. x 5 ft. (1,5 m) fluid hose model 73060
 - Down tube model 85807
 - 90° swivel model 241584

Model V410005WM



Model V410005WM 10:1 wall mount pump

Package includes:

- Bare pump model V410000000
- Remote suction kit model 84945
- Wall mount kit model 275398
 - Air coupler/nipple model 5874/5875
 - 3/8 in. x 5 ft. (1,5 m) air hose model 273299
 - 1/2 in. x 5 ft. (1,5 m) fluid hose model 73060
 - 90° swivel model 241584
 - Wall mount assembly model 275413

Model V410055LB



Model V410055LB 10:1 55 gallon (208 liter) lubrication truck pump with bung bushing

Package includes:

- Bare pump model V410000000
- 55 gallon (208 liter) lubrication truck kit with bung bushing model K000055LB
 - Bung bushing model 85824
 - Tie rod kit model 83131
 - Suction tube model 85807
 - Air coupler/nipple model 5874/5875
 - 3/8 in. x 5 ft. (1,5 m) air hose model 273299

Model V410055LT



Model V410055LT 10:1 55 gallon (208 liter) lubrication truck pump with drum cover

Package includes:

- Bare pump model V410000000
- Drum cover and hose kit model K000055LT
 - 400 lb. (181 kg) drum cover with tie rods model 83115
 - Down tube model 85807
 - Lifting eye model 275416
 - Air coupler/nipple model 5874/5875
 - 3/8 in. x 5 ft. (1,5 m) air hose model 273299

PMV oil pump accessories

PMV runaway controller

Model V340HH

Compatible with new and existing Lincoln PMV pumps, the runaway controller shuts off the pump and signals an alarm if the pump exceeds a preset cycle rate.

- Fully electronic
- Monitors and controls based on positive pump-cycle count
- Operates independently of air supply volume and pressure
- Prevents pump damage due to high runaway speeds if lubrication drum or tank is depleted
- Limits spills if broken hose or line leak causes pump to run faster than preset cycle rate

Low-level cutoffs

Automatically shuts off flow of oil; keeps air out of the pump when tank or drum level is low. Recommended when dispensing oil through metering devices to conform with standards of the National Conference of Weights and Measures.

- Model 82439 for 1 1/2 in. NPT suction tubes
- Model 84946 for 1 NPT suction tubes

Model 275413 wall mount bracket

Wall mount bracket for PMV pumps.

Thermal pressure protection

Protect lubrication system components from high pressure spikes caused by temperature change in a closed fluid network.

Model V340HH



2

Model V340HH technical data

| | |
|------------------------------|-------------------------------|
| Model | V340HH |
| Range | 5 to 75 cycles/min. |
| Power | 9 V lithium ion battery |
| External signal relay | 2 A 30 V DC 0.5 A 125 V AC |

Thermal pressure protection

| Model | Description | Application | Pre-set relief pressure | | Size NPT |
|-----------------|--------------------------------|---------------------------|-------------------------|-----|------------|
| | | | psi | bar | |
| – | – | – | | | in. |
| 282876 | Valve only | 3:1, 5:1, 6:1 | 1 000 | 68 | 1/2 |
| 275197 | Valve only | 3:1, 5:1, 6:1 | 500 | 34 | 1/2 |
| 282957 | Valve only | 3:1, 5:1, 6:1, 10:1, 12:1 | 1 500 | 103 | 1/2 |
| 277601-1 | Kit with valve, hose, adapters | PMV 5:1 and 6:1 | 900 | 62 | Integrated |
| 277601-2 | Kit with valve, hose, adapters | PMV 10:1 | 1 500 | 103 | Integrated |

* Adapt PMV kits to PowerMaster III stub pump tube (model 84986) with a 300 lb. (136 kg) malleable iron 2 x 1.5 in. (50,8 x 38,1 mm) reducing coupling.

Model 82439



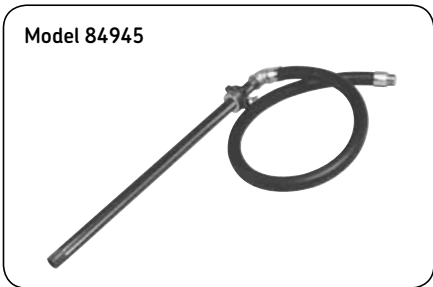
Model 275413



Model 282876



Thermal relief kit shown on PMV pump



Suction kit

Model 84945 suction kit

For transfer of product from drums, bulk tanks or reservoirs. Includes bung bushing suction tube, hose and coupling assembly.

Note: 2 x 1 in. (50,8 x 25,4 mm) bell reducer required for use with model 1914, supplied by others - general plumbing part.



Model 85806

16 gallon (60 liter) suction tube.

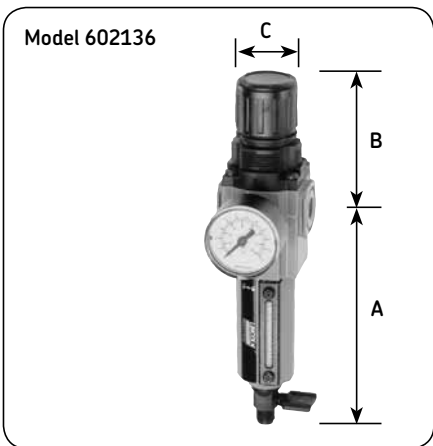
Model 85807

55 gallon (208 liter) suction tube.



Modular air line equipment accessories – lockout valve

Install in-line or modular with other AirCare products to help conform to OSHA lockout regulations. In the closed position, valves block inlet air flow and exhaust downstream air.



Lockout valve

| Model | Modular use | In-line use | Maximum pressure | | Temperature range | |
|---------------|-------------|-------------|------------------|-------|-------------------|------------|
| | | | psi | bar | °F | °C |
| – | in. | in. | | | | |
| 247771 | 3/8 modular | 3/8 | 250 | 17,24 | 0 to 150 | -18 to +65 |

Integrated, modular filter and regulator with gauge

| Model | Maximum pressure | | Temperature range | | Pressure range | | Drain type | Size | | Size | | | | Weight | | | | |
|---------------|------------------|-------|-------------------|------------|----------------|--------------|------------|------|------|------|------|----------|------|--------|------|----|-----|-----|
| | psi | bar | °F | °C | psi | bar | | PTF | A | B | C | Diameter | | lbs. | kg | | | |
| – | | | | | | | – | in. | in. | mm | in. | mm | in. | mm | in. | mm | | |
| 602136 | 250 | 17,24 | 0 to 150 | -18 to +65 | 5 to 150 | 0,3 to 10,34 | Manual | 3/8 | 5.27 | 134 | 2.89 | 73 | 1.98 | 50 | 3.29 | 83 | 1.2 | 0,5 |

Element particle size 40µ

Model 85824 bung bushing

Screws in bung opening of 55 gal. (208 liter) drums and custom-built tanks to secure PMV pumps. Plated to resist rust. Threaded 2 in. NPT (m).

Model 277020 heavy-duty bung bushing

For outdoor use. Protection from the environment is provided by plating and two gaskets.

Model 85826 drum cover for 120 lb. (54 kg) drum

For mounting PMV pumps on open 120 lb./16 gal. (54 kg/60 liter) drums.

Model 85827 drum cover for 400 lb. (181 kg) drum

For mounting PMV pumps on open 400 lb. or 55 gal. (181 kg or 208 liter) drums.

Model 83115 lubrication truck drum cover tie rod assembly for 400 lb. (181 kg) drum

Secures PMV pump and 400 lb. or 55 gal. (181 kg or 208 liter) drum to lubrication truck deck.

Model 82989 lubrication truck drum cover tie rod assembly for 120 lb. (54 kg) drum

Secures PMV pump and 120 lb. or 16 gal. (54 kg or 60 liter) drum to lubrication truck deck.

Model 273299 air inlet hose

3/8 in. ID x 5 in. (127 mm) air hose.

Quarter-turn valves

Model 66084 medium pressure

1/2 in. NPT (f), 600 psi (52 bar) maximum working pressure.



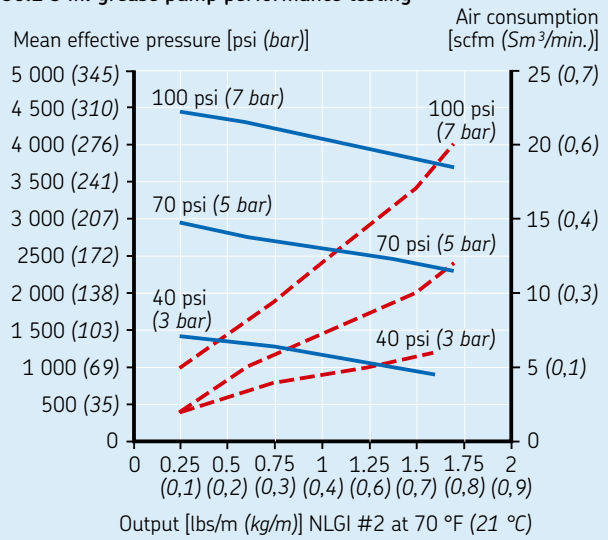


50:1 3 in. grease pump technical data

| | |
|--------------------------------|---|
| Pumping ratio | 50:1 |
| Air pressure | 40 to 150 psi (2,7 to 10,3 bar) |
| Maximum output pressure | 7 500 psi (517 bar) |
| Air inlet | 3/8 NPTF |
| Material outlet | 1/4 NPTF |
| Airmotor bore diameter | 3 in. (76,2 mm) |
| Stroke | 3 1/4 in. (82,5 mm) |
| Output per cycle | 0.78 cu. in. (12,8 cm ³) |
| Wetted parts | Carbon steel, brass, zinc, polyurethane, nitrile |
| Free flow | 168 cu. in./min. (2 753 cm ³ /min.) |
| Overall length (stub) | 35 lb. (15 kg) 27 7/8 in. (708 mm) 120 lb. (54 kg) 36 3/8 in. (924 mm) 400 lb. (181 kg) 42 7/8 in. (1 089 mm) |

Decibels less than 85 at all normal operating conditions

50:1 3 in. grease pump performance testing

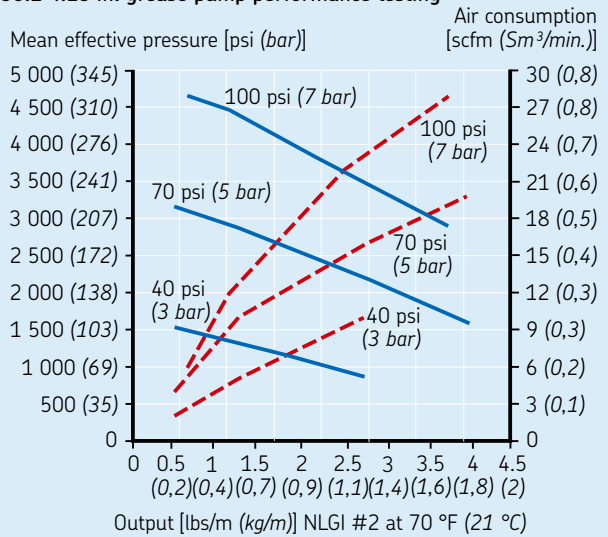


50:1 4.25 in. grease pump technical data

| | |
|--------------------------------|--|
| Pumping ratio | 50:1 |
| Air pressure | 40 to 150 psi (2,7 to 10,3 bar) |
| Maximum output pressure | 7 500 psi (517 bar) |
| Air inlet | 3/8 NPTF |
| Material outlet | 1/4 NPTF |
| Airmotor bore diameter | 4 1/4 in. (108 mm) |
| Stroke | 3 1/4 in. (82,5 mm) |
| Output per cycle | 1.47 cu. in. (24,1 cm ³) |
| Wetted parts | Carbon steel, brass, zinc, polyurethane, nitrile |
| Free flow | 220 cu. in./min. (3 605 cm ³ /min.) |
| Overall length (stub) | 120 lb. (54 kg) 36 7/16 in. (926 mm) 400 lb. (181 kg) 42 15/16 in. (1 091 mm) |

Decibels less than 85 at all normal operating conditions

50:1 4.25 in. grease pump performance testing



PMV 3 in. (76,2 mm) grease pumps

**Model V350120000 50:1 3 in. 120 lb.
(54 kg) bare pump**

**Model V350400000 50:1 3 in. 400 lb.
(181 kg) bare pump**

**Model V350400DC 50:1 3 in. 400 lb.
(181 kg) stationary package**

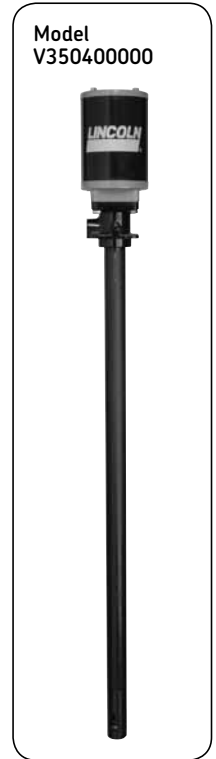
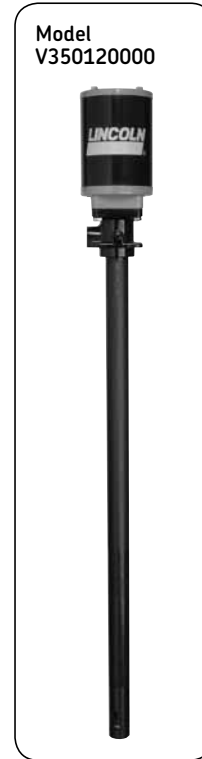
Package includes:

- Bare pump model V350400000
- 400 lb. (181 kg) drum cover kit model K050400DC
 - 400 lb. (181 kg) drum cover model 85827
 - Air coupler/nipple model 5874/5875
 - 1/4 in. x 5 ft. (1,5 m) grease hose model 75060
 - (2) hose connectors model 10198
 - 3/8 in. x 5 ft. (1,5 m) air hose model 273299
 - Elbow union model 80202

**Model V350120DC 50:1 3 in. 120 lb.
(54 kg) stationary package**

Package includes:

- Bare pump model V350120000
- 120 lb. (54 kg) stationary kit model K050120DC
 - Drum cover model 85826
 - (2) Hose connectors model 10198
 - Elbow union model 80202
 - 1/4 in. x 5 ft. (1,5 m) grease hose model 75060
 - 3/8 in. x 5 ft. (1,5 m) air hose model 273299
 - Follower model 84780
 - Air coupler/nipple model 5874/5875



Model V350120HF



Model V350120HF 50:1 3 in. 120 lb. (54 kg) inductor package

Package includes:

- Bare pump model V350120000
- Hoist/follower kit model 274932

Model V350400HF 50:1 3 in. 400 lb. (181 kg) inductor package

Package includes:

- Bare pump model V350400000
- Hoist/follower kit model 275260

Model V350120LT 50:1 3 in. 120 lb. (54 kg) lubrication truck package

Package includes:

- Bare pump model V350120000
- 120 lb. (54 kg) lubrication truck kit model K050120LT
 - 120 lb. (54 kg) drum cover with tie downs model 85829
 - Elbow union model 80202
 - Air coupler/nipple model 5874/5875
 - Lifting eye model 275415

Model V350120LT



Model V350400LT 50:1 3 in. 400 lb. (181 kg) lubrication truck package

Package includes:

- Bare pump model V350400000
- 400 lb. (181 kg) lubrication truck kit model K050400LT
 - 400 lb. (181 kg) drum cover with tie rods model 83115
 - Elbow union model 80202
 - Air coupler/nipple model 5874/5875
 - Lifting eye model 275415

Model V350400LT



PMV 4.25 in. (108 mm) grease pumps

**Model V450120000 50:1 4.25 in.
120 lb. (54 kg) bare pump**

**Model V450400000 50:1 4.25 in.
400 lb. (181 kg) bare pump**

**Model V450120DC 50:1 4.25 in.
120 lb. (54 kg) stationary package**

Package includes:

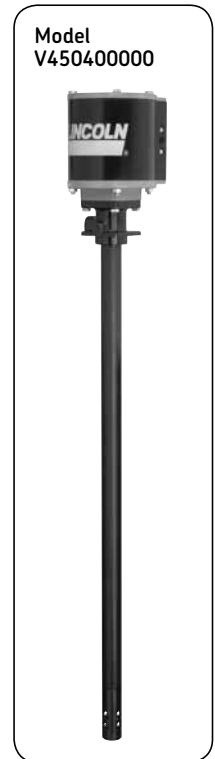
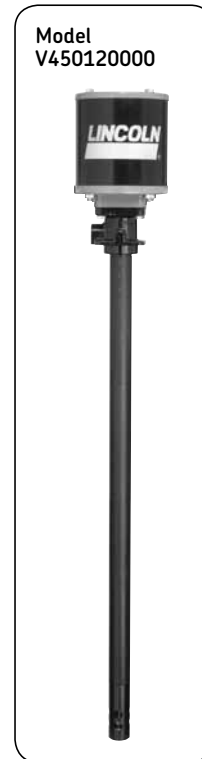
- Bare pump model V450120000
- 120 lb. (54 kg) stationary kit model K050120DC
 - Drum cover model 85826
 - (2) hose connectors model 10198
 - 1/4 in. x 5 ft. (1,5 m) grease hose model 75060
 - 3/8 in. x 5 ft. (1,5 m) air hose model 273299
 - Follower model 84780
 - Air coupler/nipple model 5874/5875
 - Elbow union model 80202

**Model V450400DC 50:1 4.25 in. 400 lb.
(181 kg) stationary package**

Package includes:

- Bare pump model V450400000
- 400 lb. (181 kg) drum cover kit model K050400DC
 - 400 lb. (181 kg) drum cover model 85827
 - Air coupler/nipple model 5874/5875
 - 1/4 in. x 5 ft. (1,5 m) grease hose model 75060
 - (2) hose connectors model 10198
 - 3/8 in. x 5 ft. (1,5 m) air hose model 273299
 - Elbow union model 80202

For heavy greases and/or low temperatures, order follower model 85825 on (→ page 55).



Model V450400HF



Model V450400HF 50:1 4.25 in. 400 lb. (181 kg) inductor package

Package includes:

- Bare pump model V450400000
- Hoist/follower kit model 275260

Model V450120LT 50:1 4.25 in. 120 lb. (54 kg) lubrication truck package

Package includes:

- Bare pump model V450120000
- 120 lb. (54 kg) lubrication truck kit model K050120LT
 - 120 lb. (54 kg) drum cover with tie downs model 85829
 - Elbow union model 80202
 - Air coupler/nipple model 5874/5875
 - Lifting eye model 275416

Model V450400LT 50:1 4.25 in. 400 lb. (181 kg) lubrication truck package

Package includes:

- Bare pump model V450400000
- 400 lb. (181 kg) lubrication truck kit model K050400LT
 - 400 lb. (181 kg) drum cover with tie rods model 83115
 - Elbow union model 80202
 - Air coupler/nipple model 5874/5875
 - Lifting eye model 275416

Model V450120LT



Model V450400LT



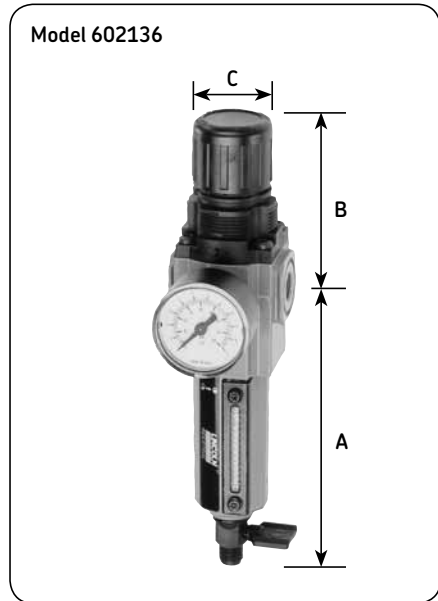
PMV grease pump accessories

Modular air line equipment accessories – lockout valve

Install in-line or modular with other AirCare products to help conform to OSHA lockout regulations. In the closed position, valves block inlet air flow and exhaust downstream air.

Lockout valve

| Model | Modular use | In-line use | Maximum pressure | | Temperature range | |
|--------|-------------|-------------|------------------|-------|-------------------|------------|
| | | | psi | bar | °F | °C |
| 247771 | 3/8 modular | 3/8 | 250 | 17,24 | 0 to 150 | -18 to +65 |



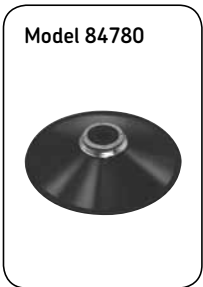
Integrated, modular filter and regulator with gauge

Can be used with other AirCare modular components.

Integrated, modular filter and regulator with gauge

| Model | Maximum pressure | | Temperature range | | Pressure range | | Drain type | Size | | | Diameter | | | | Weight | | | |
|--------|------------------|-------|-------------------|------------|----------------|--------------|------------|------|------|-----|----------|-----|------|-----|--------|------|-----|-----|
| | psi | bar | °F | °C | psi | bar | | PTF | A | B | C | in. | mm | in. | mm | lbs. | kg | |
| 602136 | 250 | 17,24 | 0 to 150 | -18 to +65 | 5 to 150 | 0,3 to 10,34 | Manual | 3/8 | 5.27 | 134 | 2.89 | 73 | 1.98 | 50 | 3.29 | 83 | 1.2 | 0,5 |

Element particle size 40µ



Followers plates

Recommended when pumping viscous lubricants that will not seek their own level.

Model 84780

For use with 120 lb. (54 kg) containers for 1, 1 1/4, 1 3/8, 1 1/2 and 2 1/8 in. diameter pump tubes. Used with series 20 and 40 air-operated grease pumps.



Model 85825

Deluxe pressed steel follower plate for 400 lb. (181 kg) drums includes a seal in the hub to prevent channelling of grease past the pump tube.

Model 85826 drum cover for 120 lb. (54 kg) drum

For mounting PMV pumps on open 120 lb./16 gal. (54 kg/60 liter) drums.

Model 85827 drum cover for 400 lb. (181 kg) drum

For mounting PMV pumps on open 400 lb. or 55 gal. (181 kg or 208 liter) drums.



Model 83115 lubrication truck drum cover tie rod assembly for 400 lb. (181 kg) drum

Secures PMV pump and 400 lb. or 55 gal. (181 kg or 208 liter) drum to lubrication truck deck.



Model 82989 lubrication truck drum cover tie rod assembly for 120 lb. (54 kg) drum

Secures PMV pump and 120 lb. or 16 gal. (54 kg or 60 liter) drum to lubrication truck deck.

Model 273299 air inlet hose

3/8 in. ID x 5 in. (127 mm) air hose.

Shut-off valves

Model 778 needle-type valve for chassis grease

High pressure valve with 1/4 in. NPT (f).

Lifting eye

Model 275416

Attach to PMV pump for easy drum removal/insertion with air-operated elevator model 1709.

The 3:1 and 5:1 stub pump family from Lincoln

3:1 and 5:1 • Motor oil, ATF, gear lubrication and other fluid lubricants

For more than 100 years, Lincoln's exclusive pump designs have proven their superiority in application after application. And our line-up of strong, silent oil-dispensing pumps is no exception.

Both our stub pumps are built with the same rugged reliability and powerful performance you've come to expect from Lincoln. They are super quiet – the quietest pumps on the market. They deliver increased output for faster product delivery. And they let you handle a wider range of applications with total mounting flexibility.

Lincoln has taken the time-proven pump design of the Lincoln model 84933 5:1 pressure ratio balanced double-acting oil stub pump and created a more compact air motor to produce a 3:1 pressure ratio

balanced double-acting oil stub pump, model 282396. This pump creates a versatile, economical, reliable and smooth delivering lower pressure version of the Lincoln 5:1 ratio pump.

Since model 282396 balanced double-acting 3:1 pressure ratio oil stub pump and model 84933 balanced double-acting 5:1 pressure ratio oil stub pump share all dimensions other than air motor cylinder diameter, these pumps are now directly interchangeable without piping changes.

The Lincoln oil pump design enables all pump users to choose 3:1 ratio or 5:1 ratio pump models to suit their specific application.

Model 282396



Model 84933



Model 282396



Series 25 and 40 oil pump features

- More powerful.
 - 25 or 40 cu. in. (409,7 or 655,5 cm³) air motor with universal mounting capability.
 - Balanced double-acting pump design provides uniform output and stroke for less pulsation [7.5 cu. in./cycle (123 cm³/cycle)].
 - Longer life.
 - Full 4 1/2 in. (114 mm) stroke for fewer cycles per gallon dispensed.
 - Lightweight, corrosion-resistant zinc head casting design incorporates uniform wall thickness. Keeps pumping while other pumps slow down or stop due to icing.
 - 150 psi (10,34 bar) air motor with integral patented muffler. Keeps noise below OSHA standards without compromising performance.
 - Ball check valve helps keep pump primed.
 - Pneumatically assisted mechanical air valve assures positive tripping.
 - Springless air motor construction prevents premature pump failure due to spring fatigue.
 - Precision-machined, hardened steel slide valve for longer life.
 - Designed for greater cycle rates. Exceeds maximum limits recommended for competitive pumps.
- Large pump outlet.
 - 1/2 in. (12,7 mm) NPT(f).
 - Easier serviceability.
 - Majority of parts are common with other series 20, 25 and series 40 pumps.
 - Each pump is 100% electronically tested to assure quality performance.
 - Backed by the most extensive, qualified service network in the industry.
 - Large pump inlet.
 - 1 in. (25,4 mm) NPT(f) inlet with 1 1/2 in. (38,1 mm) NPT(m) pump inlet for versatile pump mounting and full oil flow.
 - Backed by our five year limited warranty. See your Lincoln representative for details.

Model 84933



3:1 and 5:1 • Motor oil, ATF, gear lubrication and other fluid lubricants

Model 282396 3:1 bare stub pump

Model 282398 3:1 series 25 stub pump

Package includes:

- Bare stub pump model 282396
- Pump cover kit model 84935
- Oil connecting hose model 73024
- Air connecting hose model 72024
- 90° volume union elbow model 241584
- Air coupler model 815
- Air nipple model 11659
- Bung bushing model 84538

Model 84934 5:1 series 40 stub pump

Package includes:

- Bare stub pump model 84933
- Pump cover kit model 85935
- Oil connecting hose model 73024
- Air connecting hose model 72024
- 90° volume union elbow model 241584
- Air coupler model 815
- Air nipple model 11659
- Bung bushing model 84538

Model 282398



Model 84934

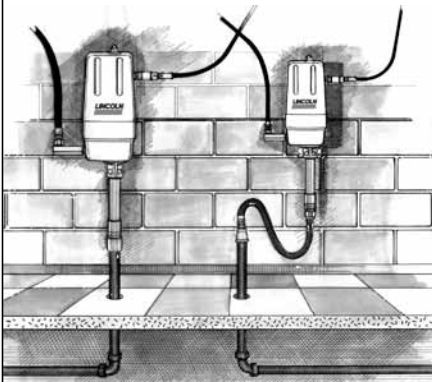


Model 84538



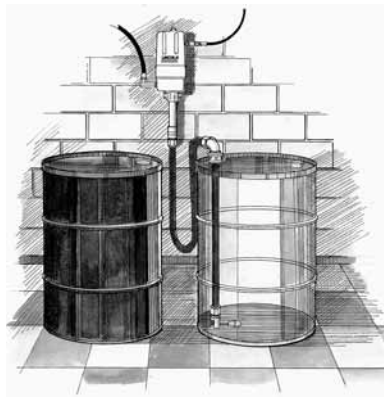
Versatile stub pump mounting options

Standpipe and wall mount assembly to remote bulk tanks



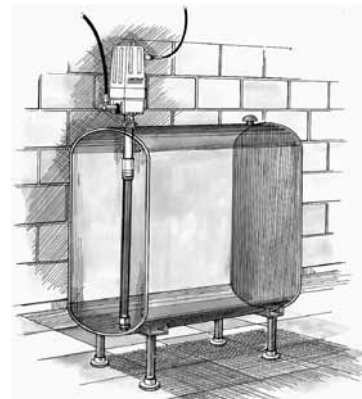
3:1 (282398) or 5:1 (84934) pump, wall mount kit (84940), low level cut-off (84946) or foot valve (85765).

Wall mount to any size drum



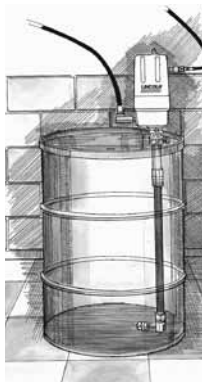
3:1 (282398) or 5:1 (84934) pump, wall mount kit (84940), suction kit (84945) and low level cut-off (84946) or foot valve (85765).

Above ground tank



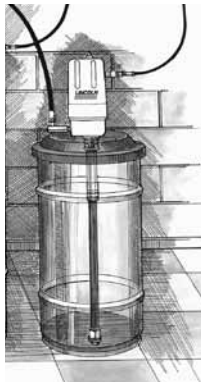
[275 gallon (1 041 liter) tank shown]
3:1 (282398) or 5:1 (84934) pump and universal suction kit (85949).

55 gallon (208 liter) drum mount using bung bushing



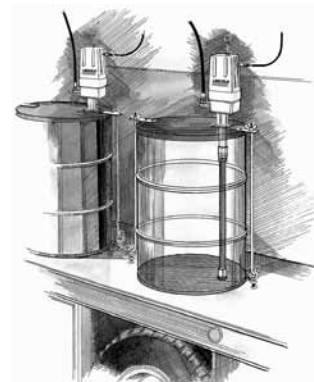
3:1 (282398) or 5:1 (84934) pump and 55-gallon drum suction (85755).

16 gallon (60 liter) drum mount using drum cover



3:1 (282398) or 5:1 (84934) pump, drum cover (46007) and 16-gallon drum suction kit (85716).

55 gallon (208 liter) drum mount on lubrication truck using drum cover



3:1 (282398) or 5:1 (84934) pump, eyebolt kit (84941), drum cover/tie-down kit (83115) 55 gal. (208 liter) drum suction kit (85755).

Series 25 • 3:1 • Motor oil, ATF, gear lubrication and other fluid lubricants

Shop, garage and lubrication truck* applications – 16 gal. (60 liter) drums

Model 2437

Package includes:

- Pump model 282396
- Lubricant connecting hose model 73060
- Volume elbow model 241584
- Air connecting hose model 72060
- Air coupler model 815
- Air nipple model 11659

55 gal. (208 liter) drums

Model 2424

Package includes:

- Pump model 282133
- 2 in. (50,8 mm) NPT (m) bung bushing model 84538
- Volume union elbow model 241584
- Air coupler model 815
- Air nipple model 11659
- Lubricant connecting hose model 73060
- Air hose model 72060

* For lubrication truck applications, contact your Lincoln distributor.

250 or 275 gal. (946 or 1 041 liter) drums

Model 284168

Package includes:

- Pump model 282396
- Universal suction tube kit model 85949
- Bung bushing model 84538
- Lubricant connecting hose model 73060
- Volume elbow model 241584
- Air connecting hose model 72060
- Air coupler model 815
- Air nipple model 11659

Lubrication truck and mobile applications – 55 gal. (208 liter) drum

Model 284231

Package includes:

- Pump model 282133
- Eyebolt kit model 84941
- Drum cover with tie down assembly model 83115
- Air coupler model 815
- Air nipple model 11659



Model 2537



Series 40 • 5:1 • Motor oil, ATF, gear lubrication and other fluid lubricants

Shop and garage applications –
16 gal. (60 liter) drums

Model 2537

Package includes:

- Pump model 84933
- Lubricant connecting hose model 73060
- Volume elbow model 241584
- Air connecting hose model 72060
- Air coupler model 815
- Air nipple model 11659
- Drum cover model 46007

55 gal. (208 liter) drums

Model 2524



Model 2524

Package includes:

- Pump model 84933
- 2 in. NPT (m) bung bushing model 84538
- Volume union elbow model 241584
- Air couple model 815
- Air nipple model 11659
- Lubricant connecting hose model 73060
- Air hose model 72060

Note: Order drum cover model 81523 separately.

Model 285168



Model 285168

Comes complete with model 84933 pump and model 85949 universal suction tube kit, model 84538 bung bushing, air and lubricant connecting hose. Pumps oil, gear lubrication, ATF, etc. from tanks, drums.

Model 285231

Package includes:

- Pump model 285133
- Eyebolt kit model 84941
- Drum cover with tie down assembly model 83115
- Air coupler model 815
- Air nipple model 11659

Pumps and accessories – Series 20, 25 and 40 medium-pressure oil pumps

Series 25 oil pumps

| Model | Description | Bare pump | Free delivery | | Ratio | Drum size | | Air Inlet NPT | Size NPT | Use / location |
|---------------|---|-----------|---------------|-------|-------|----------------|--------------|------------------|-------------|----------------|
| | | | gal. | liter | | gal. | liter | | | |
| – | – | – | gal. | liter | – | gal. | liter | in. | in. | – |
| 282133 | Bare drum pump | 282396 | 6 | 22 | 3:1 | 55 | 208 | 1/4 | 1/2 | Replacement |
| 282396 | Bare stub pump | 282396 | 6 | 22 | 3:1 | Stub/universal | | 1/4 | 1/2 | Universal |
| 2424 | Stationary | 282133 | 6 | 22 | 3:1 | 55 | 208 | 1/4 | 1/2 | Shop |
| 2437 | Stationary with suction kit model 85716 | 282396 | 6 | 22 | 3:1 | 16 | 60 | 1/4 | 1/2 | Shop |
| 282398 | Stub pump assembly | 282396 | 6 | 22 | 3:1 | Stub/universal | | 1/4 | 1/2 | Universal |
| 284168 | Stationary tank | 282396 | 6 | 22 | 3:1 | 250 or 275 | 946 or 1 041 | 1/4 | 1/2 | Shop |
| 284231 | Lube truck | 282133 | 6 | 22 | 3:1 | 55 | 208 | 1/4 | 1/2 | Lube truck |

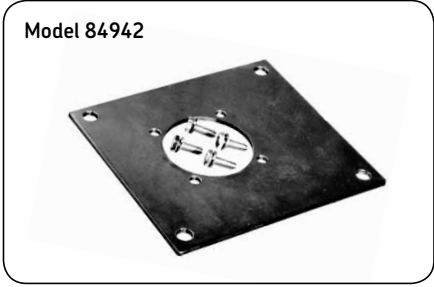
All models based on model 282396 series 25 3:1 bare oil pump which delivers 6 gallon/min. (22 liter/min.) free flow plus a suction tube.

Series 40 oil pumps

| Model | Description | Bare pump | Free delivery | | Ratio | Drum size | | Air Inlet NPT | Size NPT | Use / location |
|---------------|--|-----------|---------------|-------|-------|----------------|--------------|------------------|-------------|----------------|
| | | | gal. | liter | | gal. | liter | | | |
| – | – | – | gal. | liter | – | gal. | liter | in. | in. | – |
| 84933 | Bare stub pump | 84933 | 6 | 22 | 5:1 | Stub/universal | | 1/4 | 1/2 | Universal |
| 285133 | Bare pump with tube | 84933 | 6 | 22 | 5:1 | 55 | 208 | 1/4 | 1/2 | Replacement |
| 2524 | Stationary 55 gal. (208 liter) | 84933 | 6 | 22 | 5:1 | 55 | 208 | 1/4 | 1/2 | Shop |
| 2537 | Stationary 16 gal. (60 liter) with suction kit model 85716 | 84933 | 6 | 22 | 5:1 | 16 | 60 | 1/4 | 1/2 | Shop |
| 84934 | Stub pump assembly | 84933 | 6 | 22 | 5:1 | Stub/universal | | 1/4 | 1/2 | Universal |
| 285168 | Stationary tank | 84933 | 6 | 22 | 5:1 | 250 or 275 | 946 or 1 041 | 1/4 | 1/2 | Shop |
| 285231 | Lube truck | 84933 | 6 | 22 | 5:1 | 55 | 208 | 1/4 | 1/2 | Lube truck |

All models based on model 84933 series 40 5:1 bare oil pump which delivers 6 gallon/min. (22 liter/min.) free flow plus a suction tube.

Medium-pressure pump accessories



Bung bushing, low-level cut-off and foot valves

| Model | Description | Thread size NPT | Notes |
|--------------|-------------------|--------------------|--|
| – | – | in. | – |
| 84538 | Pump bung bushing | 2 (m) | Mounts series 25 or 40 pump to 2 in. (50,8 mm) oil drum opening |
| 85824 | Bung bushing | 2 (m) | Mounts PMV pumps to 55 gal. (208 liter) drum or custom-built tanks |
| 82439 | Low-level cutoff | 1 1/2 (m) | Used with new oil oil pumps |
| 84946 | Low-level cutoff | 1 (m) | Used with new oil oil pumps |
| 85765 | Foot valve | 1 (f) | Used with new oil oil pumps |

Wall mount kits

| Model | Description | Notes |
|--------------|-------------------------------------|---|
| 84940 | Wall-mount kit – series 25 and 40 | Used with model 84945 suction kit |
| 84942 | Flange-mount kit – series 25 and 40 | Mounts pump to custom made tanks (lubrication trucks) |

Suction kits

| Model | Description | Thread size NPT | Notes |
|--------------|--|--------------------|---|
| – | – | in. | – |
| 84945 | Remote suction kit | 1 (f) | Includes 5 ft. (1,5 m) oil hose, bung bushing and 1 x 32 in. (0,8 m) pipe |
| 85716 | 16 gal. (60,57 liter) drum suction kit | 1 (m) | Adapts any series 25 or 40 oil pump to 16 gallon (60 liter) drum |
| 85755 | 55 gal. (208,2 liter) drum suction kit (steel) | 1 (m) | Adapts any series 25 or 40 oil pump to 55 gallon (208 liter) drum |
| 85949 | Universal suction kit | 1 (m) | Adapts any series 25 or 40 oil pump to drum or tank use |

Pump covers

| Model | Description | Notes |
|--------------|-------------|------------------------|
| 84935 | Pump cover | Series 20 pumps |
| 85935 | Pump cover | Series 25 and 40 pumps |

Hose

| Model | Description | Thread size NPT (m) | Maximum pressure | |
|--------------|--|------------------------|------------------|-------|
| | | | psi | bar |
| – | – | in. | psi | bar |
| 72036 | 3 ft. (0,9 m) low-pressure connecting | 1/4 | 250 | 17,24 |
| 72060 | 5 ft. (1,5 m) low-pressure connecting | 1/4 | 250 | 17,24 |
| 73036 | 3 ft. (0,9 m) medium-pressure connecting | 1/2 | 1 000 | 68,95 |
| 73060 | 5 ft. (1,5 m) medium-pressure connecting | 1/2 | 1 000 | 68,95 |



Eye-bolt kit

Model 84941

Eye bolt kit for all series 20, 25 and 40 pumps, makes drum changing easy. Two part kit screws directly onto pump for lifting with pump elevator.

Lubricant filters

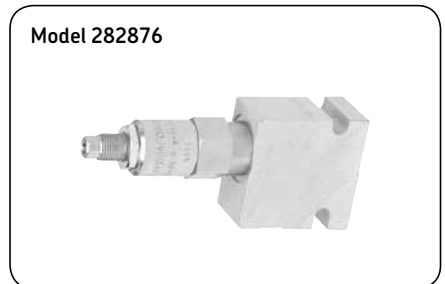
Model 84004

For mounting at pump outlet. Contains replaceable 140 micron stainless steel filter element model 69524. 1/2 in. NPT (m) inlet and outlet. 1 3/8 in. hex. steel body. Maximum pressure 5 000 psi (344,7 bar). 100 mesh screen.



Shut-off valves

See fittings and accessories section for pump shut-off valves.

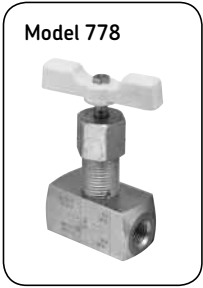
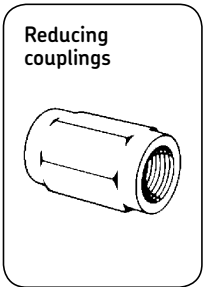
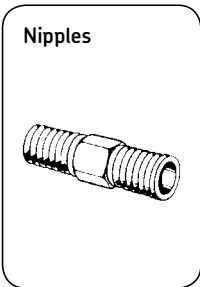
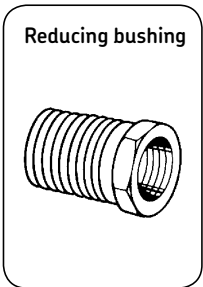


Thermal pressure protection

Protect lubrication system components from high pressure spikes caused by temperature change in a closed fluid network.

Thermal pressure protection models

| Model | Description | Application | Pre-set relief pressure | | Size NPT |
|-----------------|--------------------------------|------------------------------|-------------------------|-----|-------------|
| | | | psi | bar | |
| – | – | – | psi | bar | in. |
| 282876 | Valve only | 3:1, 5:1, 6:1 | 1 000 | 68 | 1/2 |
| 275197 | Valve only | 3:1, 5:1, 6:1 | 500 | 34 | 1/2 |
| 282957 | Valve only | 3:1, 5:1, 6:1, 10:1, 12:1 | 1 500 | 103 | 1/2 |
| 277601-3 | Kit with valve, hose, adapters | Series 40 5:1, series 20 3:1 | 900 | 62 | Integrated |



Reducing bushings

| Model | Thread size | Construction |
|-------|-------------|--------------|
| – | in. | – |

| | | |
|--------------|--------------------------|-------|
| 10200 | 1/8 NPT (f) x 1/2-27 (m) | Brass |
| 10204 | 1/4 NPT (f) x 1/2-27 (m) | Brass |

Reducing couplings

| Model | Thread size NPT (f) | Construction |
|-------|------------------------|--------------|
| – | in. | – |

| | | |
|--------------|--------------|-------|
| 11852 | 1/8 x 1/2-27 | Steel |
| 10522 | 1/4 x 1/2-27 | Brass |

Adapter unions

| Model | Thread size | Construction |
|-------|-------------|--------------|
| – | in. | – |

| | | |
|--------------|---------------------------------|-------|
| 66883 | 1/2 NPSM (f) x 1/2 NPT (m) | Steel |
| 69375 | 1 NPT (f) swivel x 1 NPT (m) | Steel |

Nipples

| Model | Thread size NPT (m) | Construction |
|-------|------------------------|--------------|
| – | in. | – |

| | | |
|--------------|--------------|-------|
| 10130 | 1/8 x 1/8 | Steel |
| 10199 | 1/8 x 1/2-27 | Brass |
| 10462 | 1/4 x 1/4 | Steel |

| | | |
|--------------|--------------|-------|
| 10198 | 1/4 x 1/2-27 | Brass |
| 10540 | 3/8 x 3/8 | Steel |
| 11107 | 3/8 x 1/2 | Steel |

| | | |
|--------------|-----------------|-------|
| 11197 | 1/2 x 1/2 | Steel |
| 12957 | 1/2 x 1/2-27 | Steel |
| 10202 | 1/2-27 x 1/2-27 | Brass |

| | | |
|--------------|-----------|-------|
| 12296 | 3/4 x 3/4 | Steel |
|--------------|-----------|-------|

Shut-off valves – needle-type for chassis grease

| Model | Thread size NPT (f) | Construction |
|-------|------------------------|--------------|
| – | in. | – |

| | | |
|------------|-----|---------------|
| 778 | 1/4 | High pressure |
| 884 | 3/8 | High pressure |
| 885 | 1/2 | High pressure |

Maximum working pressure 10 000 psi (680 bar)

Quarter-turn valves

High pressure

Control lever with “on” or “off” positions provides visual check as to whether lubrication line is open or closed. Buna-N seals with PTFE seat.

Quarter-turn valves – high pressure

| Model | Inlet size NPT (f) | Maximum pressure | |
|-------|-----------------------|------------------|-----|
| | | psi | bar |
| – | in. | | |

| | | | |
|--------------|-----|-------|-----|
| 69503 | 1/2 | 2 000 | 138 |
| 69425 | 3/4 | 2 500 | 172 |
| 69423 | 1 | 2 500 | 172 |

Quarter-turn valves – medium pressure

| Model | Inlet size NPT (f) | Maximum pressure | |
|-------|-----------------------|------------------|-----|
| | | psi | bar |
| – | in. | | |

| | | | |
|---------------|-----|-----|----|
| 256200 | 1/4 | 600 | 52 |
| 66084 | 1/2 | 600 | 52 |

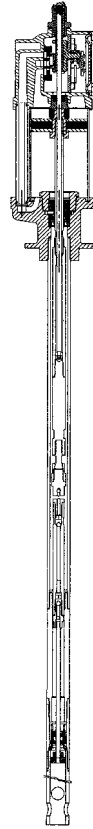
The heavy-duty 50:1 grease pump family from Lincoln

Lincoln air-operated lubrication equipment models featuring our high-pressure Series 20 and 40 grease pumps have been performance proven in automotive, agricultural, heavy-duty, marine, construction and industrial facilities throughout the world.

- Series 20 grease pumps include the time-proven 20 cu. in. ($409,7 \text{ cm}^3$) displacement Lincoln air motor with $2 \frac{1}{2}$ in. ($63,5 \text{ mm}$) stroke – ideal for most applications.
- Series 40 grease pumps include the time-proven 40 cu. in. ($655,5 \text{ cm}^3$) displacement Lincoln air motor with $4 \frac{1}{2}$ in. (114 mm) stroke – ideal for high volume applications.

These pumps are built for power, durability and dependability and these exclusive engineering features ensure top performance and longer service life.

Model 82054



Series 20



Model 82050



Model 82054

Series 20 and 40 grease pump features

- Lightweight, corrosion-resistant zinc head casting design incorporates uniform wall thickness and an integral patented muffler which keeps noise level below OSHA standards without compromising performance. Keeps pumping, while other pumps slow down or stop due to icing.
- 150 psi (10,34 bar) pre-lubricated air motor requires no external oiler.
- Pneumatically assisted mechanical air valve assures positive tripping.
- Springless air motor construction prevents premature pump failure due to spring fatigue.
- Precision-machined, hardened steel slide valve for longer life – no packings to wear out.
- Powerful.
 - 20 or 40 cu in. (409,7 or 655,5 cm³) air motor.
- Designed for greater cycle rates.
 - Exceeds maximum limits recommended for competitive pumps.
- One piece pump outlet body withstands constant high lubricant pressures.
- Easier serviceability.
 - Majority of parts are common with other series 20, 25 and 40 pumps.
- Faster output.
 - Double-acting design provides high pressure and uniform delivery on both up and down strokes.
- Hardened steel plunger and bushing resist abrasion and prolong pump life. Micro-lapped to high precision tolerance to eliminate bypassing lubricant.
- All pumps are 100% electronically tested to assure quality performance.
- Backed by the most extensive, qualified service network in the industry.
- Shovel-type foot valve adds mechanical priming to normal suction. Handles all grades of lubricants.
- Backed by a five-year limited warranty. See your Lincoln representative for details.

Series 40



Model 84667



Model 84668

Series 20 • 50:1 • Double acting

Shop and plant applications

Model 918 50:1 120 lb. (54 kg) drum

Package includes:

- Bare pump model 82050
- Drum cover model 46007
- Air coupler model 815
- Air nipple model 11659
- 3 ft. (0,91 m) air connecting hose model 72036
- 5 ft. (1,52 m) high-pressure grease connecting hose model 75060
- Deluxe follower plate model 84780
- Volume elbow union model 80202

Model 926 50:1 400 lb. (181 kg) drum

Package includes:

- Bare pump model 82054
- Drum cover model 81523
- Air coupler model 815
- Air nipple model 11659
- 3 ft. (0,91 m) air connecting hose model 72036
- 5 ft. (1,52 m) high-pressure grease connecting hose model 75060
- Volume elbow union model 80202

Note: A deluxe follower plate model 83366 is recommended for use with this pump (→ page 68).

Model 926-1 50:1 400 lb. (181 kg) drum

Package includes:

- Bare pump model 82054
- Air coupler model 815
- Air nipple model 11659
- 3 ft. (0,91 m) air connecting hose model 72036
- 5 ft. (1,52 m) high-pressure grease connecting hose model 75060
- Volume elbow union model 80202

Note: A deluxe follower plate model 83366 is recommended for use with this pump (→ page 73).





Lubrication truck and mobile grease applications

Model 82991 50:1 120 lb. (54 kg) drum

Package includes:

- Bare pump model 82050
- Drum cover and tie rod assembly model 82989
- Eye bolt kit model 84941
- Air coupler model 815
- Air nipple model 11659
- Volume elbow union model 80202

Note: Connecting hoses are not included with this package. Order connecting hoses separately to suit application.

Model 83112 50:1 400 lb. (181 kg) drum

Package includes:

- 1-pump model 83112
- Drum cover and tie rod assembly model 83115
- Air coupler model 815
- Air nipple model 11659
- Volume elbow union model 80202

Note: Connecting hoses are not included with this package. Order connecting hoses separately to suit application.

Note: For lubrication truck/mobile applications (models 82991 and 83112), optional deluxe follower plate is available (→ page 73).

Series 40 • 50:1 • High output, double acting

Shop and garage applications

Model 1418 50:1 120 lb. (54 kg) drum

Package includes:

- Bare pump model 84667
- Drum cover model 46007
- Air coupler model 815
- Air nipple model 11659
- 3 ft. (0,91 m) air connecting hose model 72036
- 5 ft. (1,52 m) high-pressure grease connecting hose model 75060
- Deluxe follower plate model 84780
- Volume elbow union model 80202

Model 1426 50:1 400 lb. (181 kg) drum

Package includes:

- Bare pump model 84668
- Drum cover model 81523
- Air coupler model 815
- Air nipple model 11659
- 3 ft. (0,91 m) air connecting hose model 72036
- 5 ft. (1,52 m) high-pressure grease connecting hose model 75060
- Volume elbow union model 80202

Note: Deluxe follower plate model 83366 is recommended for use when pumping extra heavy lubricants and must be ordered separately for this model (→ page 73).

Model 1426-1 50:1 400 lb. (181 kg) drum

Package includes:

- Bare pump model 84668
- Air coupler model 815
- Air nipple model 11659
- 3 ft. (0,91 m) air connecting hose model 72036
- 5 ft. (1,52 m) high-pressure grease connecting hose model 75060
- Volume elbow union model 80202

Note: Deluxe follower plate model 83366 is recommended for use when pumping extra heavy lubricants and must be ordered separately for this model (→ page 73).

Model 2740 50:1 400 lb. (181 kg) inductor

Package includes:

- Bare pump model 84668
- Primer assembly with follower model 274681
- Air powered hoist
- Air coupler model 815
- Air nipple model 11659
- 7 ft. (2,13 m) air hose model 274728
- 7 ft. (2,13 m) grease hose model 75084
- Air regulator for hoist model 602003
- Air gauge model 274843





Grease pumps for lubrication truck applications

Model 84684 120 lb. (54 kg) drum

Package includes:

- Bare pump model 84667
- Drum cover and tie rod assembly model 82989
- Eye bolt kit model 84941
- Air coupler model 815
- Air nipple model 11659
- Volume elbow union model 80202
- Follower plate not included

Note: Connecting hoses are not included with this package. Order connecting hoses separately to suit application.

Model 84683 400 lb. (181 kg) drum

Package includes:

- Bare pump model 84668
- Drum cover and tie rod assembly model 83115
- Eye bolt kit model 84941
- Air coupler model 815
- Air nipple model 11659
- Volume elbow union model 80202

Note: Connecting hoses are not included with this package. Order connecting hoses separately to suit application.

Note: For lubrication truck and mobile applications, optional deluxe follower plate is available (→ [page 74](#)).

Pumps and accessories – Series 20, 25 and 40 high-pressure grease pumps

Series 20 grease pumps

| Model | Description | Bare pump | Free delivery | | Ratio | Drum size | | Air inlet NPT (f) | Size NPT (f) |
|--------------|-------------------------------|-----------|------------------|-----------------|-------|-----------|-------|----------------------|-----------------|
| | | | in. ³ | cm ³ | | lb. | kg | | |
| – | – | – | in. ³ | cm ³ | – | lb. | kg | in. | in. |
| 918 | Shop and garage | 82050 | 80 | 1311 | 50:1 | 120 | 54,43 | 1/4 | 1/4 |
| 923 | Shop and garage with elevator | 82050 | 80 | 1311 | 50:1 | 120 | 54,43 | 1/4 | 1/4 |
| 926 | Shop and garage | 82054 | 80 | 1311 | 50:1 | 400 | 181,4 | 1/4 | 1/4 |
| 82991 | Lube truck model | 82050 | 80 | 1311 | 50:1 | 120 | 54,43 | 1/4 | 1/4 |
| 83112 | Lube truck model | 82054 | 80 | 1311 | 50:1 | 400 | 181,4 | 1/4 | 1/4 |

These high-pressure pumps incorporate a 20 cu. in. (327,7 cm³) air motor design
Grease strainer model 82103

Series 40 grease pumps

| Model | Description | Bare pump | Free delivery | | Ratio | Drum size | | Air inlet NPT (f) | Material outlet NPT (f) |
|--------------|-------------------------------|-----------|------------------|-----------------|-------|-----------|-------|----------------------|----------------------------|
| | | | in. ³ | cm ³ | | lb. | kg | | |
| – | – | – | in. ³ | cm ³ | – | lb. | kg | in. | in. |
| 1418 | High-volume shop | 84667 | 90 | 1 475 | 50:1 | 120 | 54,43 | 1/4 | 1/4 |
| 1426 | High-volume shop | 84668 | 90 | 1 475 | 50:1 | 400 | 181,4 | 1/4 | 1/4 |
| 84683 | High-volume lubrication truck | 84668 | 90 | 1 475 | 50:1 | 400 | 181,4 | 1/4 | 1/4 |
| 84684 | High-volume lubrication truck | 84667 | 90 | 1 475 | 50:1 | 120 | 54,43 | 1/4 | 1/4 |
| 2740 | Pump with inductor | 84668 | 90 | 1 475 | 50:1 | 400 | 181,4 | 1/4 | 1/4 |

These high-output pumps incorporate a 40 cu. in. (655,5 cm³) air motor design with a 4.5 in. (114 mm) stroke for higher volume output and fewer cycles per pound of grease



High-pressure pump accessories

Model 84775



Follower plates

Recommended when pumping lubricants that will not seek their own level.

Model 83366



Model 84775

Deluxe universal follower for use with 25 to 50 lb. (11 to 22 kg) containers for 1, 1 1/4, and 1 1/2 in. diameter pump tubes. All rubber unit ensures complete grease dispensing to the bottom of dented or plastic lined drums; wipes pail or drum clean. Metal cap holds insert firmly in place, ensuring seal and maintaining vacuum.

Model 46007



Model 84780

Same as 84775 except for use with 120 lb. (54 kg) containers for 1, 1 1/4 and 2 1/8 in. diameter pump tubes. Used with series 20 and 40 air-operated grease pumps.

Model 81523



Model 83366

Deluxe pressed steel follower plate for 400 lb. (181 kg) drums includes a seal in the hub to prevent channelling of grease past the pump tube.

Model 83447



Drum Covers

Model 46007

Drum cover for 120 lb. (54 kg) or 16 gallon (60 liter) open top refinery containers for all series 20, 25 and 40 pumps.

Model 81523

Drum cover for 400 lb. (181 kg) or 55 gallon (208 liter) open top refinery containers for all series 20, 25 and 40 pumps.

Pump elevator

Model 83447

Pump elevator assembly lifts pump assembly clear of drum for easy, one person drum changes. Helps prevent introduction of foreign material into grease during drum changes. Height with drum is 39 3/8 in. (1 000 mm), 67 1/4 in. (1 708 mm) with elevator raised. Drum not included. For 120 lb. (54 kg) drum.

Follower plates

| Model | Drum size | Tube ID | Type |
|--------|-----------|-----------------|-------------------|
| – | lb. (gal) | in. | – |
| 84775 | 400 (55) | 1, 1 1/4, 1 1/2 | Tapered flexible |
| 84780 | 120 (16) | 1, 1 1/4, 2 1/8 | Tapered flexible |
| 83366 | 400 (55) | 1 | Rigid |
| 275183 | 35 (5) | 1 1/2 | Flexible-low cost |
| 275184 | 35 (5) | 1 1/4 | Flexible-low cost |

PowerMaster III

Features

- State-of-the-art, fully pneumatic air motors 3 to 4 in. (76,2 to 101,6 mm).
- Full 6 in. (152,4 mm) stroke.
- Modular design for easy repair.
- Pump tubes offer ratios and outputs to fit any application.
- Available to fit any drum or pail size, or bulk tanks.
- Offered in carbon steel, 316 stainless steel or hard chrome plated.
- Full line of priming equipment and mounting devices.

Series III air motors

- Full pneumatic operation for longer life and durability. Only five moving parts.
- Total modular design for ease of service and maintenance.
- Quiet operation.
 - Meets or exceeds OSHA requirements at all recommended operation air pressures.
- Interchangeable with all PowerMaster III pump tubes.
- Acceptability of pump monitors and controls, such as AirBrake.

AirBrake

- Shuts down pump immediately when excessive pump cycle speed (runaway) occurs.
- Prevents pump damage due to a runaway condition.
- Indicates system fault caused by empty container or broken supply line.
- Limits spills due to pump outlet hose failure.
- Sends fault signal to remote alarm locations with optional model 244398 signal kit.
- Can be ordered already installed (refer to pump specification chart).
- Can be added later. Order model 85317.
- Easy to install and set – graduated dial with detents.
- Kit model 273429 upgrades existing AirBrake-equipped pumps to the latest specifications.
- Kit model 273835 – tamper resistant kit.

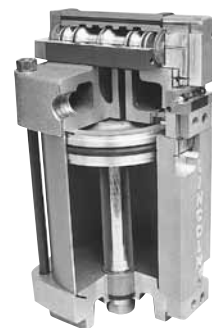
Model 2001



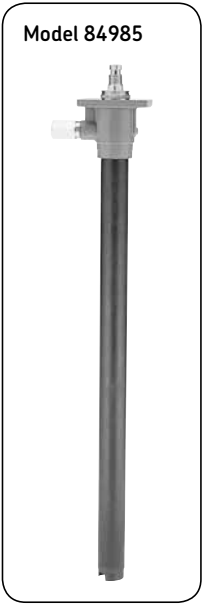
Model 85317



Model 84806



Model 84985



Pump tubes

Ball foot design

- For light- to medium-viscosity, flowable fluids and materials.
- Three styles
 - stub for bulk mounting
 - 55 gallon (208 liter)
 - 16 gallon (60 liter) drum.
- Ratios from 6:1 to 12:1, outputs to 3.9 gal./min. (14,6 liter/min.).
- Complete interchangeability with all series III air motors.
- Exclusive patented, “leakless” gland assembly kit is available as an accessory.

Shovel foot design, plunger and bushing style

- For medium- to high-viscosity, non-pourable materials, such as grease.
- Available in 400 or 120 lb. (205 or 60 liter) drum lengths or mounts on primer for high-viscosity materials.
- Full range of ratios: 10:1 through 75:1 for all applications.
- Selected fit, hardened steel plunger and bushing is particularly well suited to viscous lubricants.
- Complete interchangeability with all series III air motors.
- Exclusive patented, leakless gland assembly kit (to protect gland seal – the only seal in pump tube) is available as an accessory.

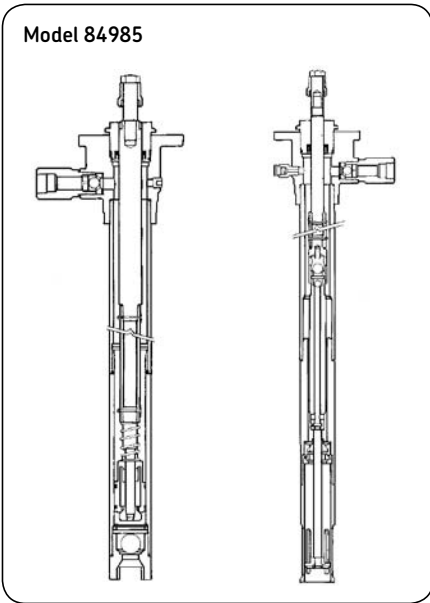
Shovel foot design, packed piston-style

- For medium- to high-viscosity, non-pourable materials.
- Furnished with exclusive, patented, leakless gland assembly.
- Available in 55 or 16 gallon (208 or 60 liter) drum lengths. Also suitable for mounting on priming equipment or standpipe mounting for bulk delivery.
- Complete interchangeability with all series III air motors.
- Full range of ratios 10:1 through 32:1.

PileDriver III flatcheck design

- Large ports reduce resistance for improved flow in real world applications.
- 6 in. (152,4 mm) stroke lets the pump work easier to deliver the same or more volume.
- Proven PileDriver III pump tube and PowerMaster III air motor based design is durable, dependable and easy to maintain over the life of the pump.
- 2.5 in. NPTF (f) and 3 in. NPTF (m) inlet offers flexible mounting options.

Model 84985



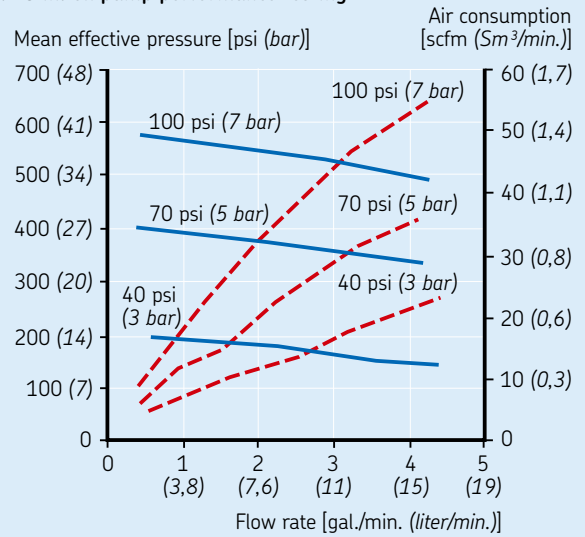
Model 85922



6:1 3 in. oil pump technical data

| | |
|---|---|
| Pumping ratio | 6:1 |
| Air pressure | 30 to 200 psi (2 to 14 bar) |
| Maximum output pressure | 1 200 psi (84 bar) |
| Air inlet | 1/2 NPTF |
| Material outlet | 3/4 NPTF |
| Material inlet | Stub 2 NPTF |
| Airmotor bore diameter | 3 in. (76 mm) |
| Stroke | 6 in. (152 mm) |
| Output per cycle | 11.9 cu. in. (195 cm ³) |
| Cycles | 20/gallon (5/liter) |
| Wetted parts | Steel, brass, copper, polyurethane, nitrile |
| Free flow | 12.3 gallon/min. (46,6 liter/min.) |
| Overall length (stub) | 36 in. (914 mm) |
| Overall length (55 gal./400 lb./200 liter) | 60 7/8 in. (1 546 mm) |

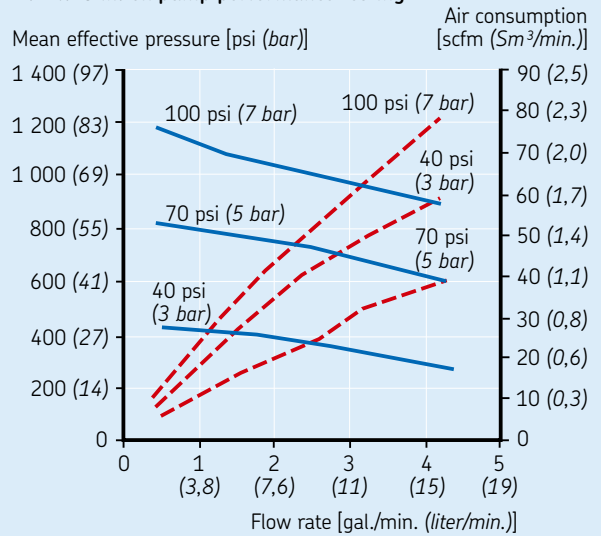
6:1 3 in. oil pump performance testing



12:1 4.25 in. oil pump technical data

| | |
|---|---|
| Pumping ratio | 12:1 |
| Air pressure | 30 to 200 psi (2 to 14 bar) |
| Maximum output pressure | 2 400 psi (166 bar) |
| Air inlet | 1/2 NPTF |
| Material outlet | 3/4 NPTF |
| Material inlet | Stub 2 NPTF |
| Airmotor bore diameter | 4.25 in. (108 mm) |
| Stroke | 6 in. (152 mm) |
| Output per cycle | 11.9 cu. in. (195 cm ³) |
| Cycles | 20/gallon (5/liter) |
| Wetted parts | Steel, brass, copper, polyurethane, nitrile |
| Free flow | 12.3 gallon/min. (46,6 liter/min.) |
| Overall length (stub) | 36 in. (914 mm) |
| Overall length (55 gal./400 lb./200 liter) | 60 7/8 in. (1 546 mm) |

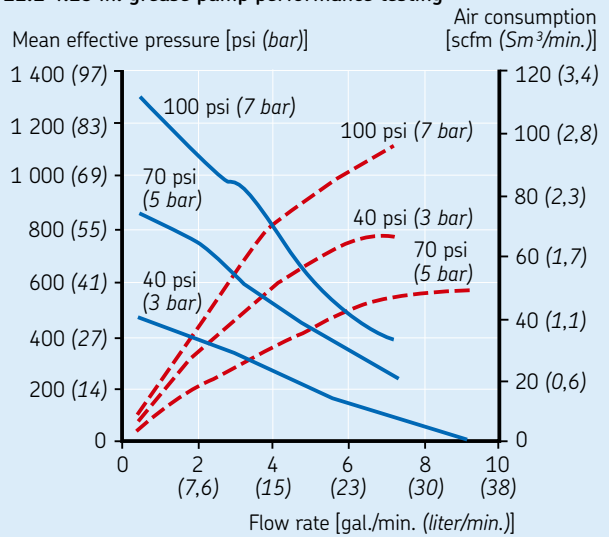
12:1 4.25 in. oil pump performance testing



12:1 4.25 in. grease pump technical data

| | |
|---|---|
| Pumping ratio | 12:1 |
| Air pressure | 200 psi (14 bar) |
| Maximum output pressure | 2 400 psi (166 bar) |
| Air inlet | 1/2 NPTF |
| Material outlet | 3/4 NPTF |
| Airmotor bore diameter | 4.25 in. (108 mm) |
| Stroke | 6 in. (152 mm) |
| Output per cycle | 10.9 cu. in. (179 cm ³) |
| Cycles | 21/gallon (5.5/liter) |
| Wetted parts | Steel, brass, copper, polyurethane, nitrile |
| Free flow | 3.5 gallon/min. (13,2 liter/min.) |
| Overall length (55 gal./400 lb./200 liter) | 48 3/8 in. (1 229 mm) |
| Overall length (16 gal./120 lb.) | 62 1/8 in. (1 578 mm) |

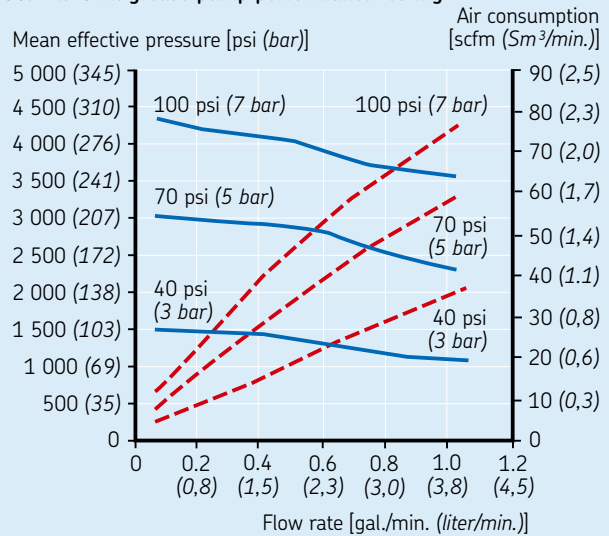
12:1 4.25 in. grease pump performance testing



50:1 4.25 in. grease pump technical data

| | |
|---|---|
| Pumping ratio | 50:1 |
| Air pressure | 150 psi (10 bar) |
| Maximum output pressure | 7 500 psi (517 bar) |
| Air inlet | 1/2 NPTF |
| Material outlet | 3/4 NPTF |
| Airmotor bore diameter | 4.25 in. (108 mm) |
| Stroke | 6 in. (152 mm) |
| Output per cycle | 3 cu. in. (49 cm ³) |
| Cycles | 78/gallon (20/liter) |
| Wetted parts | Steel, brass, copper, polyurethane, nitrile |
| Free flow | 1 gallon/min. (3,7 liter/min.) |
| Overall length (55 gal./400 lb./200 liter) | 62 1/8 in. (1 578 mm) |
| Overall length (16 gal./120 lb.) | 55 1/2 in. (1 410 mm) |

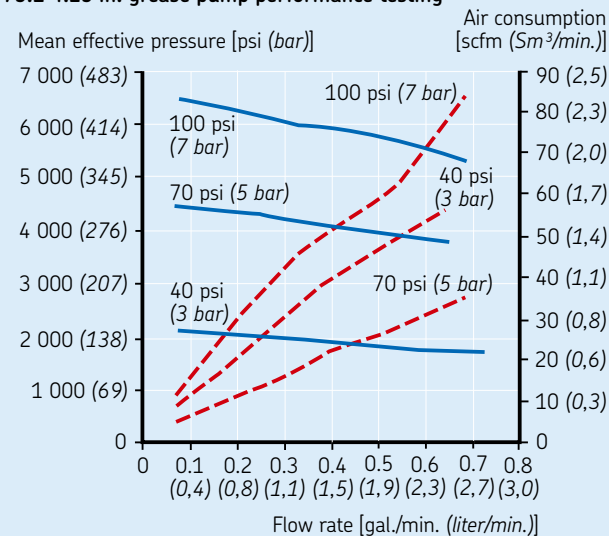
50:1 4.25 in. grease pump performance testing



75:1 4.25 in. grease pump technical data

| | |
|---|---|
| Pumping ratio | 75:1 |
| Air pressure | 100 psi (7 bar) |
| Maximum output pressure | 7 500 psi (517 bar) |
| Air inlet | 1/2 NPTF |
| Material outlet | 3/4 NPTF |
| Airmotor bore diameter | 4.25 in. (108 mm) |
| Stroke | 6 in. (152 mm) |
| Output per cycle | 2.1 cu. in. (34 cm ³) |
| Cycles | 111/gallon (29/liter) |
| Wetted parts | Steel, brass, copper, polyurethane, nitrile |
| Free flow | 0.7 gallon/min. (2,6 liter/min.) |
| Overall length (55 gal./400 lb./200 liter) | 62 1/8 in. (1 578 mm) |
| Overall length (16 gal./120 lb.) | 55 1/2 in. (1 410 mm) |

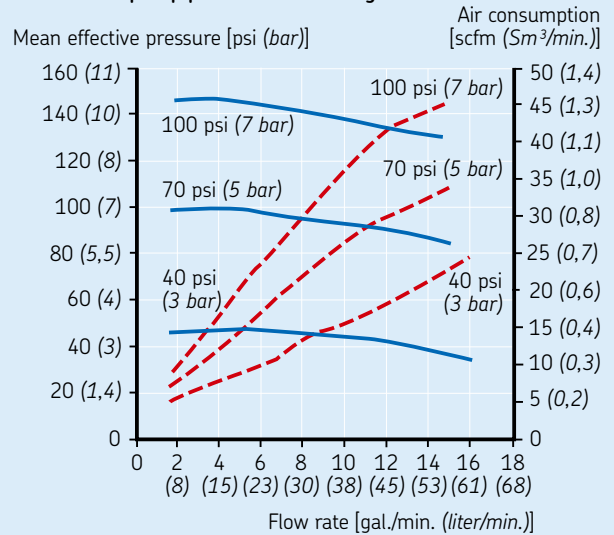
75:1 4.25 in. grease pump performance testing



1.5:1 3 in. oil pump technical data

| | |
|--------------------------------|---|
| Pumping ratio | 1.5:1 |
| Air pressure | 30 to 200 psi (2 to 14 bar) |
| Maximum output pressure | 300 psi (21 bar) |
| Air inlet | 1/2 NPTF |
| Material outlet | 1 1/2 NPTF |
| Material inlet | Stub 2.5 NPTF (f); 3 NPTF (m) |
| Airmotor bore diameter | 3 in. (76 mm) |
| Stroke | 6 in. (152 mm) |
| Output per cycle | 46 cu. in. (754 cm ³) |
| Cycles | 5/gallon (1/liter) |
| Wetted parts | Steel, brass, copper, polyurethane, nitrile |
| Free flow | 14.9 gallon/min. (56,5 liter/min.) |
| Overall length (stub) | 44 1/8 in. (1 121 mm) |

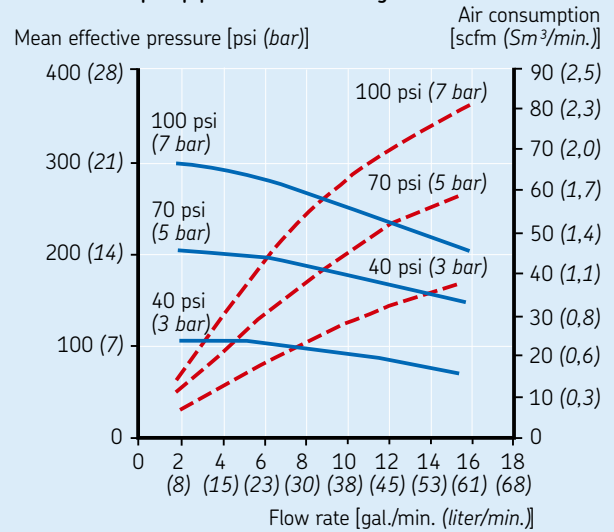
1.5:1 3 in. oil pump performance testing



3:1 4.25 in. oil pump technical data

| | |
|--------------------------------|---|
| Pumping ratio | 3:1 |
| Air pressure | 30 to 200 psi (2 to 14 bar) |
| Maximum output pressure | 600 psi (41 bar) |
| Air inlet | 1/2 NPTF |
| Material outlet | 1 1/2 NPTF |
| Material inlet | Stub 2.5 NPTF (f); 3 NPTF (m) |
| Airmotor bore diameter | 4.25 in. (108 mm) |
| Stroke | 6 in. (152 mm) |
| Output per cycle | 46 cu. in. (754 cm ³) |
| Cycles | 5/gallon (1/liter) |
| Wetted parts | Steel, brass, copper, polyurethane, nitrile |
| Free flow | 14.9 gallon/min. (56,5 liter/min.) |
| Overall length (stub) | 44 1/8 in. (1 121 mm) |

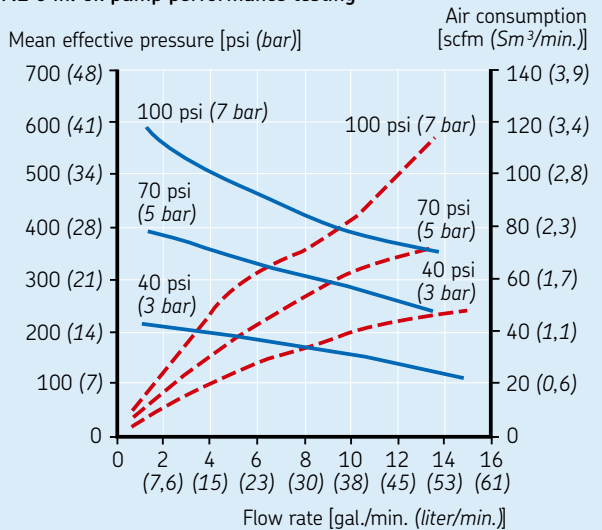
3:1 4.25 in. oil pump performance testing



7:1 6 in. oil pump technical data

| | |
|--------------------------------|---|
| Pumping ratio | 7:1 |
| Air pressure | 30 to 100 psi (2 to 7 bar) |
| Maximum output pressure | 700 psi (48 bar) |
| Air inlet | 3/4 NPTF |
| Material outlet | 1 1/2 NPTF |
| Material inlet | Stub 2.5 NPTF (f); 3 NPTF (m) |
| Airmotor bore diameter | 6 in. (152 mm) |
| Stroke | 6 in. (152 mm) |
| Output per cycle | 46 cu. in. (754 cm ³) |
| Cycles | 5/gallon (1/liter) |
| Wetted parts | Steel, brass, copper, polyurethane, nitrile |
| Free flow | 14.9 gallon/min. (56,5 liter/min.) |
| Overall length (stub) | 43 1/4 in. (1 099 mm) |

7:1 6 in. oil pump performance testing



Model 2001



PowerMaster III air-operated oil pumps

Model 2001 12:1 55 gallon (208 liter) pump

Package includes:

- Powermaster III 4.25 in. air motor model 84804
- Powermaster III ball type pump tube 55 gallon (208 liter) model 84985
- Air coupler model 655008
- Air nipple model 653112

Model 2014 12:1 stub pump

Package includes:

- Powermaster III 4.25 in. air motor model 84804
- Powermaster III stub pump tube model 84986
- Air coupler model 655008
- Air nipple model 653112

Model 2052 6:1 55 gallon (208 liter) pump

Package includes:

- Powermaster III 3 in. air motor model 84803
- Powermaster III ball type pump tube 55 gallon (208 liter) model 84985
- Air coupler model 655008
- Air nipple model 653112

Model 2051 6:1 stub pump

Package includes:

- Powermaster III 3 in. air motor model 84803
- Powermaster III stub pump tube model 84986
- Air coupler model 655008
- Air nipple model 653112

PowerMaster III grease pumps

Model 2004 75:1 400 lb. (181 kg) pump

Package includes:

- PowerMaster III 4.25 in. air motor model 84804
- PowerMaster III shovel type pump tube 400 lb. (181 kg) model 84997
- Air coupler model 655008
- Air nipple model 653112

Model 2029 12:1 400 lb. (181 kg) pump

Package includes:

- PowerMaster III 4.25 in. air motor model 84804
- PowerMaster III shovel type pump tube 400 lb. (181 kg) model 84919
- Air coupler model 655008
- Air nipple model 653112

Model 2008 75:1 120 lb. (54 kg) pump

Package includes:

- PowerMaster III 4.25 in. air motor model 84804
- PowerMaster III shovel type pump tube 120 lb. (54 kg) model 84998
- Air coupler model 655008
- Air nipple model 653112

Model 2010 50:1 400 lb. (181 kg) pump

Package includes:

- PowerMaster III 4.25 in. air motor model 84804
- PowerMaster III shovel type pump tube 400 lb. (181 kg) model 84995
- Air coupler model 655008
- Air nipple model 653112

Model 2011 50:1 120 lb. (54 kg) pump

Package includes:

- PowerMaster III 4.25 in. air motor model 84804
- PowerMaster III shovel type pump tube 120 lb. (54 kg) model 84996
- Air coupler model 655008
- Air nipple model 653112

Model 2028 12:1 stub pump

Package includes:

- PowerMaster III 4.25 in. air motor model 84804
- PowerMaster III shovel type pump tube stub model 84918
- Air coupler model 655008
- Air nipple model 653112



Model 2710 50:1 400 lb. (181 kg) inductor pump [103 in. (2,62 m) raised height]

Package includes:

- PowerMaster III 4.25 in. air motor model 84804
- PowerMaster III shovel type pump tube 400 lb. (181 kg) model 84995
- Air coupler model 655008
- Air nipple model 653112
- Primer/follower assembly model 274680
 - 7 ft. (2,13 m) air hose model 274730
 - 7 ft. (2,13 m) gease hose model 274727
 - Air regulator for hoist model 602003
 - Air gauge model 274843

Model 2790 50:1 400 lb. (181 kg) inductor pump with air brake run away control [103 in. (2,62 m) raised height]

Package includes:

- PowerMaster III 4.25 in. air motor with air brake model 94804
- PowerMaster III shovel type pump tube 400 lb. (181 kg) model 84995
- Air coupler model 655008
- Air nipple model 653112
- Primer/follower assembly model 274680
 - 7 ft. (2,13 m) air hose model 274730
 - 7 ft. (2,13 m) grease hose model 274727
 - Air regulator for hoist model 602003
 - Air gauge model 274843

PowerMaster III special pump

| Model | Air motor | Pump tube | Tube size | | Tube type | Ratio | Size | Maximum air pressure | | Maximum pressure | | Free delivery | |
|-------|-----------|-----------|-----------|-------|-----------|-------|------|----------------------|------|------------------|-----|---------------|------------|
| | | | lb. | kg | | | | psi | bar. | psi | bar | gal./min. | liter/min. |
| 2002 | 84804 | 84991 | 400 | 181,4 | Shovel | 24:1 | 3/4 | 200 | 14 | 4 800 | 331 | 2.0 | 7.5 |

PowerMaster II

Features

- Gives years of dependable trouble-free operation.
 - Costs much less to operate – costs much less to maintain.
 - High-volume output
 - Air motor has extra-long stroke for powerful, uniform delivery on both up and down strokes.
 - Shovel-type pump tube used to add mechanical priming to normal suction when needed.
 - Sturdy construction
 - Plunger and bushing of hardened steel for longer life, greater wear resistance.
 - Pump outlet body of all-steel construction designed to withstand pulsation and extreme pressure. All wearing parts are tough, heat-treated steel.
 - Plunger, bushing and air valve mating parts are micro-lapped to close tolerances. Prevents by-passing of lubricant and bleeding of air. Eliminates need to replace washers and packings.
- Trouble-free, positive performance
 - Air motor operation has no springs to wear out, rust or lose tension.
 - Air valve is stall-proof, leak-proof and pre-lubricated. Double-acting mechanisms ensure dependable low-surge operation with minimum air consumption.
 - Large air passages allow unrestricted venting.
 - Simplified maintenance
 - Modular design of pump tube allows for easy disassembly.



Model 1904



Model 1901

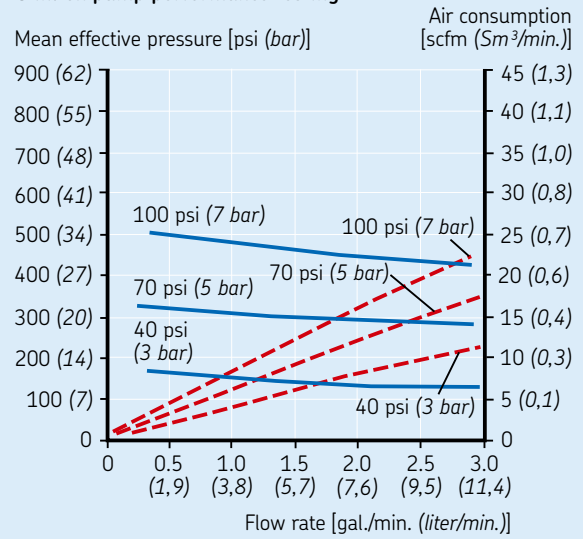


Model 1914

6:1 3 in. oil pump technical data

| | |
|--------------------------------|---|
| Pumping ratio | 6:1 |
| Air pressure | 200 psi (14 bar) |
| Maximum output pressure | 1 200 psi (84 bar) |
| Air inlet | 1/2 NPTF |
| Material outlet | 3/4 NPTF |
| Material inlet | Stub 2 NPTF |
| Airmotor bore diameter | 3 in. (76 mm) |
| Stroke | 4.25 in. (114 mm) |
| Output per cycle | 9 cu. in. (148 cm ³) |
| Cycles | 26/gallon (7/liter) |
| Wetted parts | Steel, brass, copper, polyurethane, nitrile |
| Free flow | 12.6 gallon/min. (47,7 liter/min.) |

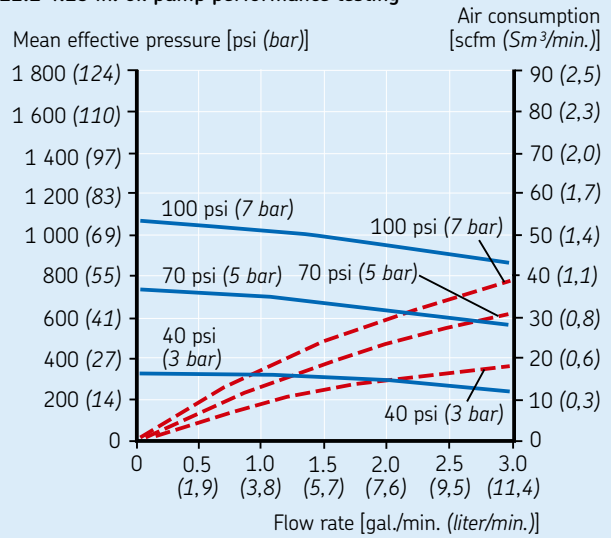
6:1 3 in. oil pump performance testing



12:1 4.25 in. oil pump technical data

| | |
|--------------------------------|---|
| Pumping ratio | 12:1 |
| Air pressure | 200 psi (14 bar) |
| Maximum output pressure | 2 400 psi (166 bar) |
| Air inlet | 1/2 NPTF |
| Material outlet | 3/4 NPTF |
| Material inlet | Stub 2 NPTF |
| Airmotor bore diameter | 4.25 in. (108 mm) |
| Stroke | 4.5 in. (114 mm) |
| Output per cycle | 9 cu. in. (148 cm ³) |
| Cycles | 26/gallon (7/liter) |
| Wetted parts | Steel, brass, copper, polyurethane, nitrile |
| Free flow | 12.6 gallon/min. (47,7 liter/min.) |

12:1 4.25 in. oil pump performance testing

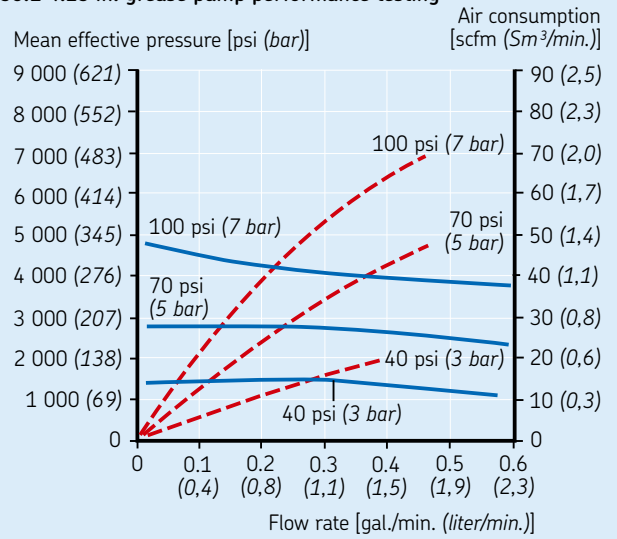


50:1 4.25 in. grease pump technical data

| | |
|-----------------------------------|---|
| Pumping ratio | 50:1 |
| Air pressure | 150 psi (10 bar) |
| Maximum output pressure | 7 500 psi (517 bar) |
| Air inlet | 1/2 NPTF |
| Material outlet | 3/4 NPTF |
| Airmotor bore diameter | 4.25 in. (108 mm) |
| Stroke | 4.5 in. (114 mm) |
| Output per cycle | 2.3 cu. in. (38 cm ³) |
| Cycles | 101/gallon (26/liter) |
| Wetted parts | Steel, brass, copper, polyurethane, nitrile |
| Free flow (70 cycles/min.) | 0.7 gallon/min. (2,6 liter/min.) |

PowerMaster II pumps include model 12018 3/4 NPTF (m) x 1/2 NPTF (F) in the outlet

50:1 4.25 in. grease pump performance testing

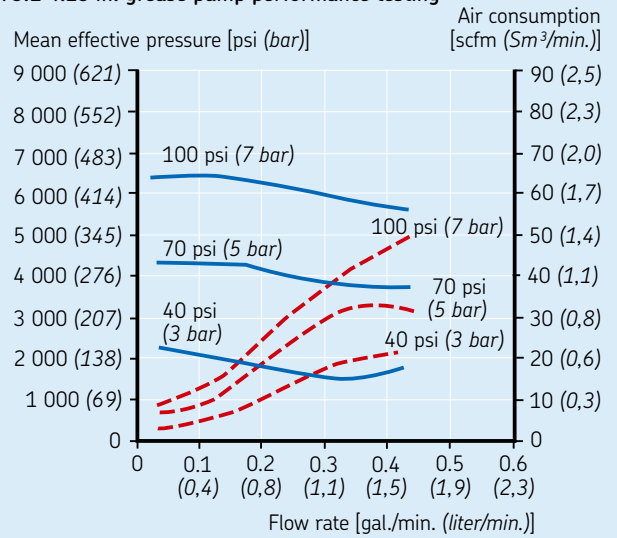


75:1 4.25 in. grease pump technical data

| | |
|--------------------------------|---|
| Pumping ratio | 75:1 |
| Air pressure | 100 psi (7 bar) |
| Maximum output pressure | 7 500 psi (517 bar) |
| Air inlet | 1/2 NPTF |
| Material outlet | 3/4 NPTF |
| Airmotor bore diameter | 4.25 in. (108 mm) |
| Stroke | 4.5 in. (114 mm) |
| Output per cycle | 1.6 cu. in. (26 cm ³) |
| Cycles | 144/gallon (39/liter) |
| Wetted parts | Steel, brass, copper, polyurethane, nitrile |
| Free flow | 0.5 gallon/min. (1,8 liter/min.) |

PowerMaster II pumps include model 12018 3/4 NPTF (m) x 1/2 NPTF (F) in the outlet

75:1 4.25 in. grease pump performance testing



PowerMaster II air-operated oil pumps



Model 1901



Model 1914

Model 1901 12:1 55 gallon (208 liter) pump

Package includes:

- Powermaster II 4.25 in. air motor model 82730
- Powermaster II ball type pump tube 55 gallon (208 liter) model 82790
- Air coupler model 655008
- Air nipple model 653112

Model 1914 12:1 stub pump

Package includes:

- Powermaster II 4.25 in. air motor model 82730
- Powermaster II stub pump tube model 84335
- Air coupler model 655008
- Air nipple model 653112

Model 1952 6:1 55 gallon (208 liter) pump

Package includes:

- Powermaster II 3 in. air motor model 82895
- Powermaster II ball type pump tube 55 gallon (208 liter) model 82790
- Air coupler model 655008
- Air nipple model 653112

Model 1951 6:1 stub pump

Package includes:

- Powermaster II 3 in. air motor model 82895
- Powermaster II stub pump tube model 84335
- Air coupler model 655008
- Air nipple model 653112

PowerMaster II grease pumps



Model 1904 75:1 400 lb. (181 kg) pump

Package includes:

- PowerMaster II 4.25 in. air motor model 82730
- PowerMaster II shovel type pump tube 400 lb. (181 kg) model 82793
- Air coupler model 655008
- Air nipple model 653112

Model 1910 50:1 400 lb. (181 kg) pump

Package includes:

- PowerMaster II 4.25 in. air motor model 82730
- PowerMaster II shovel type pump tube 400 lb. (181 kg) model 83271
- Air coupler model 655008
- Air nipple model 653112

Model 1908 75:1 120 lb. (54 kg) pump

Package includes:

- PowerMaster II 4.25 in. air motor model 82730
- PowerMaster II shovel type pump tube 120 lb. (54 kg) model 82883
- Air coupler model 655008
- Air nipple model 653112

PowerMaster II special pump

| Model | Air motor | Pump tube | Tube size | | Tube type | Ratio | Size NPT | Maximum air pressure | | Maximum pressure | | Free delivery | |
|-------|-----------|-----------|-----------|--------|-----------|-------|----------|----------------------|-------|------------------|-----|---------------|------------|
| | | | gal. | liter | | | | psi | bar. | psi | bar | gal./min. | liter/min. |
| 1931 | 82737 | 82790 | 55 | 208 | Ball | 4:1 | 3/4 | 200 | 14 | 800 | 56 | 2.7 | 10.3 |
| 1940 | 82737 | 84335 | Stub | – | Ball | 4:1 | 3/4 | 200 | 14 | 800 | 56 | 2.7 | 10.3 |
| 1932 | 82737 | 82791 | 55 | 208 | Shovel | 8:1 | 3/4 | 200 | 14 | 1 600 | 112 | 1.5 | 5.7 |
| 1933 | 82737 | 82792 | 55 | 208 | Shovel | 13:1 | 3/4 | 200 | 14 | 2 600 | 182 | 0.8 | 3.2 |
| 1902 | 82730 | 82791 | 55 | 208 | Shovel | 24:1 | 3/4 | 200 | 14 | 4 800 | 331 | 1.5 | 5.7 |
| 1935 | 82737 | 83665 | 400 lb. | 181 kg | Shovel | 50:1 | 3/4 | 150 | 10.34 | 7 500 | 517 | 2.7 | 10.3 |
| 1903 | 82730 | 82792 | 400 lb. | 181 kg | Shovel | 40:1 | 3/4 | 200 | 14 | 8 000 | 560 | 0.8 | 3.2 |
| 1907 | 82730 | 82841 | 120 lb. | 54 kg | Shovel | 40:1 | 3/4 | 200 | 14 | 8 000 | 560 | 0.8 | 3.2 |

PowerMaster II and III pump accessories

Model 84826



Model 84826 wall mounting bracket kit

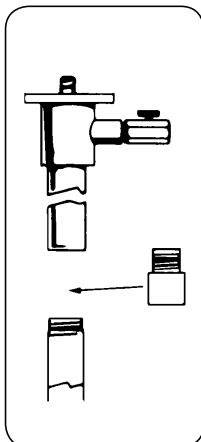
For PowerMaster II or III air motor assemblies.

Model 16177



Model 16177 foot valve adapter

For extending length of drum pumps with models 82790 and 82773 PowerMaster II pump tubes or models 84984 and 84985 PowerMaster III pump tubes. Install when standard tubes will not reach bottom of tank for addition of 1 1/2 in. NPTF (m) extension pipe (customer furnished).



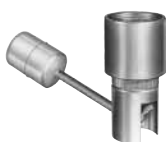
Model 83132



Model 83132 bung bushing

Screws in bung opening of 400 lb. (181 kg) drums and custom-built tanks to secure any PowerMaster II and III pumps. Plated to resist rust. Threaded 2 in. NPT (m).

Model 82439



Model 82979 bung sealing kit

Use with model 81482 drum to keep oil from splashing onto drum cover top.

Model 1709 single post pump elevator

For description and specifications (→ page 90).

Model 84945 suction kit

For transfer of product from drums, bulk tanks or reservoirs. Includes bung bushing suction tube, hose and coupling assembly.

Note: 2 x 1 in. (50,8 x 25,4 mm) bell reducer required for use with model 1914, not included.

Model 82439 low-level cutoff

Automatically shuts off flow of oil; keeps supply lines primed. Recommended when dispensing oil through metering devices to conform with standards of the National Conference of Weights and Measures. Assembles to 1 1/2 in. NPT standpipe which assembles to pump.

Model 84946 low-level cutoff

Same as model 82439, except 1 in. NPT.

Model 66764 air exhaust muffler

3/4 in. NPT (m) fits PowerMaster II air motor models 82895, 82730 and 82736. Two required for each air motor.

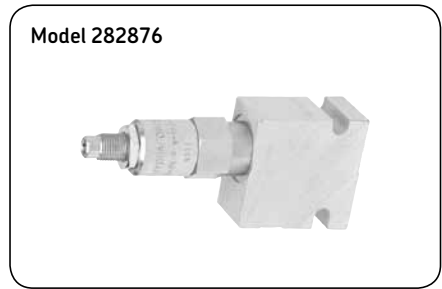
Model 84945



Thermal pressure protection

| Model | Description | Application | Pre-set relief pressure | | Size NPT |
|-----------------|--------------------------------|---------------------------|-------------------------|-----|------------|
| | | | psi | bar | |
| – | – | – | – | – | – |
| 282876 | Valve only | 3:1, 5:1, 6:1 | 1 000 | 68 | 1/2 |
| 282957 | Valve only | 3:1, 5:1, 6:1, 10:1, 12:1 | 1 500 | 103 | 1/2 |
| 277601-1 | Kit with valve, hose, adapters | PMV 5:1 and 6:1* | 900 | 62 | Integrated |
| 277601-2 | Kit with valve, hose, adapters | PMV 10:1* | 1 500 | 103 | Integrated |

* Adapt PMV kits to PowerMaster III stub pump tube (model 84986) with a 300 lb. (136 kg) malleable iron 2 x 1.5 in. (50,8 x 38,1 mm) reducing coupling.



2

Other accessories

Model 83732 standpipe adapter kit

Necessary to assemble PowerMaster II or III pumps to model 83727 stand pipe assembly for pumping from bulk tanks.

Model 83727 standpipe assembly

Mounts PowerMaster II or III pump on floor to accept suction line from bulk tank. Inlet 3 in. NPTF. 7 1/2 in. (190 mm) height; 8 in. (203 mm) diameter.

Note: PowerMaster II and III requires model 83732 standpipe assembly adapter kit.

Model 83131 tie rod kit

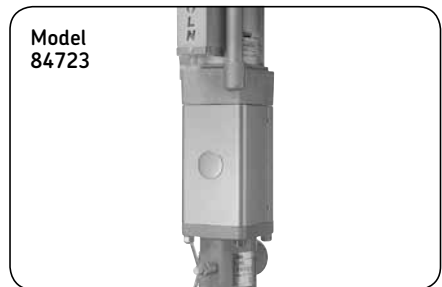
For bung opening 400 lb. (181 kg) drums. Tie rods and eye-bolts 5/8 in. (15,88 mm) diameter steel plated to resist rust.



Mounting brackets

Model 84723 cover panel kit

Metal cover fits over tie rod ends and encloses moving plunger rod. Prohibits foreign matter from attaching to pump plunger and causing premature wear.



Model 1709



Pump hoists

Model 1709 single post elevator

Ideal for contractor use. Can be mounted on truck body or used in maintenance shop for fast power-operated drum changing. Lifts any Lincoln pump from one 400 or 120 lb. (181 or 54 kg) drum and lowers it into another. Can serve one or a cluster of four drum pumps from one location.

Model 2716 single post primer

For use with PowerMaster III series 2000 pumps. Air-operated single post pump hoist for 55 gallon (208 liter) drums performs several functions in applications of low- to medium-viscosity materials. Facilitates drum changeovers. Includes follower and wiper which uses normal suction to help maintain pump prime. Includes mounting bracket for all PowerMaster III pumps.

Model 1716 pump hoist

For use with all PowerMaster II series 1900 pumps. Air-operated single post pump hoist for 55 gallon (208 liter) drums performs several functions in applications of low to medium-viscosity materials. Facilitates drum changeovers. Includes follower and wiper which uses normal suction to help maintain pump prime.

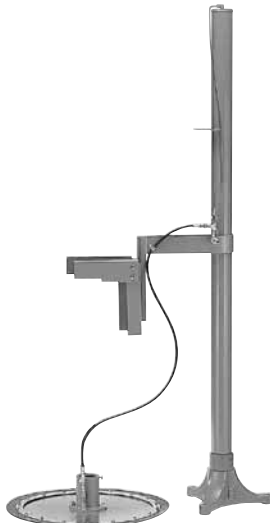


Model 2716

PowerMaster III pump hoist technical data

| Model | | 1709 | 2716 |
|------------------------|----------|----------------------------------|----------------------------------|
| Height | Lowered | 70.5 in. (1,8 m) | 73 in. (1,9 m) |
| | Raised | 108.5 in. (2,8 m) | 110.5 in. (2,8 m) |
| Operating air pressure | | 50 to 200 psi (3,45 to 13,8 bar) | 40 to 200 psi (2,75 to 13,8 bar) |
| Beam | Length | 19 in. (0,5 m) | 19 in. (0,5 m) |
| | Rotation | 360° | 360° |
| Lift capacity | | 400 lb. (181 kg) | 400 lb. (181 kg) |

Model 1716



PowerMaster II pump hoist technical data

| Model | | 1716 |
|------------------------|----------|----------------------------------|
| Height | Lowered | 73 in. (1,9 m) |
| | Raised | 110.5 in. (2,8 m) |
| Operating air pressure | | 40 to 200 psi (2,75 to 13,8 bar) |
| Beam | Length | 19 in. (0,5 m) |
| | Rotation | 360° |
| Lift capacity | | 400 lb. (181 kg) |

Drum dollies

Model 84377 400 lb. (55 gal.) [181 kg (208 liter)] drum dolly

Use with any 400 lb. (181 kg) drum. 23 1/4 in. ID, height 5 1/4 in. (133,4 mm), hard rubber wheels: 1 in. (25,4 mm) wide, 2 1/2 in. (63,5 mm) dia. Capacity: 650 lbs. (294 kg)

Model 84192 120 lb. (16 gal.) [54 kg (60 liter)] band dolly

Band-type dolly for use with 120 lb. (54 kg) refinery containers; caster model 66060.

Model 66060 caster for roll-a-round base units

Standard equipment on Lincoln drum and band dollies.

Model 80895 roll-a-round base

Use with 120 lb. (54 kg) refinery containers. Four ball-bearing swivel casters and screw clamps.

Model 674 hand truck

All steel, rugged construction with 6 in. (152,4 mm) diameter wheels. Finished in Lincoln red. 41 high x 15 in. wide (1 041 high x 381 mm wide). For use with 120 lb. (54 kg) or 16 gallon (60 liter) drum.

PowerMaster III only

Model 84963 flange mounting assembly

For rigid mounting of PowerMaster III pumps to the top of fabricated bulk tanks.

Model 86214 gland protection sleeves

For all ball foot design pump tubes.

Model 84722 muffler adapter kit

Replaces standard built-in muffler on series III air motors. Pipes exhaust away from pump. Converts exhaust port to 3/4 in. NPT (f) thread.

Drum covers

Model 81538

Standard 16 gallon (60 liter) drum cover for mounting PowerMaster II and III drum pumps to full open drums.

Model 81412

Standard 55 gallon (208 liter) drum cover for mounting PowerMaster II and III series drum pumps on full open drums.

Model 83166

Same as model 81412 except includes a port for installation of material agitator.

Model 84377



Model 84192



Model 66060



Model 80895



Model 674



Model 84963



Model 86214



Model 84722



Model 81538



Model 81412



Model 84780



Followers plates

Recommended when pumping lubricants that will not seek their own level.

Model 84775

Deluxe universal follower for use with 25 to 50 lb. (11 to 22 kg) containers for 1, 1 1/4, and 1 1/2 in. diameter pump tubes. All rubber unit ensures complete grease dispensing to the bottom of dented or plastic lined drums; wipes pail or drum clean. Metal cap holds insert firmly in place, ensuring seal and maintaining vacuum.

Model 84780

Same as model 84775 except for use with 120 lb. (54 kg) containers for 1, 1 1/4, and 2 1/8 in. diameter pump tubes.

Model 83369

For 400 lb. (181 kg) drums. Diameter 21 5/8 in.

Model 81482 400 lb. (181 kg)

Includes mounting flange and tie rods for mounting any PowerMaster II pump. Includes model 84318 drum cover and model 84273 adapter flange.

Model 84768

Same as 81482 except for PowerMaster III pumps.

Model 84291 120 lb. (54 kg)

Same as model 81482, except for 120 lb. (54 kg) drums. Includes model 84299 drum cover and model 84273 adapter flange.

Model 84767

Same as 84291 except for PowerMaster III pumps.

Model 84273 flange mounting assembly

For rigidly mounting any PowerMaster II stub pump or drum pump to top of a fabricated bulk tank.

Model 84963

Same as 84273 except for PowerMaster III pumps.

Model 83119 tie rod assembly

Same as model 83131 except for 120 lb. (54 kg) drums.

Model 84975 secondary support arm

Add to heavy-duty reels models 82206 and 84672 for extra support. Ideal for lubrication trucks, this bolt-on kit has self-aligning bearing and mounting hardware.

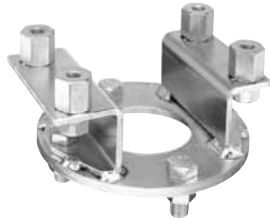
Model 360248 drum locator

Positions and secures 400 lb. (181 kg) drums when truck is in motion. Two identical angles in a circular segment with an 11 1/2 in. radius. Holes provided for fastening angle to platform. Welding optional.

Model 83369



Model 84273



Model 84975



Model 360248



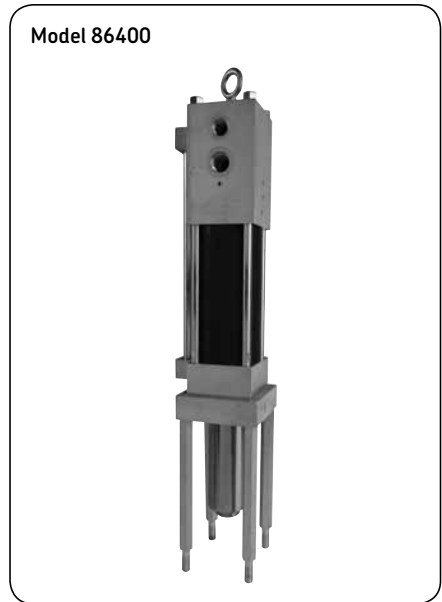
Hydraulic PowerMaster motor

Ideal for mining, heavy construction and ink applications

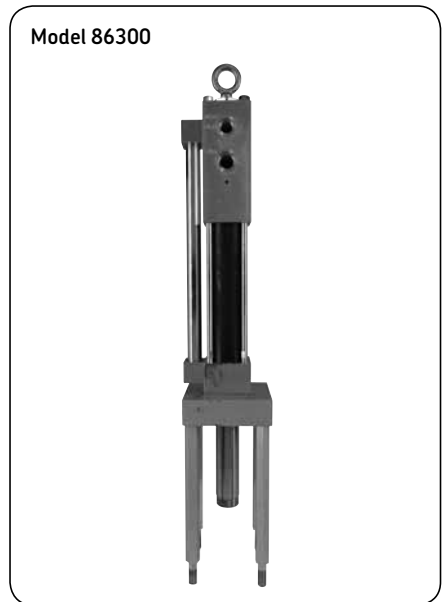
Rugged design with minimum moving parts, maximum reliability and durability in heavy-duty applications

- Two motor sizes available
- Expands pumping capability to higher pressure and higher volume applications
- Internal logic provides smooth changeover for each stroke
- No need for external pressure or limit switches and solenoid valves
- Responds immediately to changes in grease volume and pressure demands
- Versatile – designed to deliver effectively in transfer and automated lubrication
- Use with Lincoln's PowerMaster and PileDriver pump tube

Model 86400



Model 86300



Hydraulic PowerMaster motor technical data

| Model | 86400 | 86300 |
|-------------------------------------|---|---|
| Cylinder diameter | 3 1/2 in. (89 mm) | 2 in. (51 mm) |
| Piston rod diameter | 2 1/2 in. (64 mm) | 1 7/16 in. (37 mm) |
| Stroke length | 6 in. (152 mm) | 6 in. (152 mm) |
| Operating pressure range* | 300 to 1 500 psi (21 to 103 bar) | 300 to 1 500 psi (21 to 103 bar) |
| Operating temperature range | -30 to +200 °F (-34 to +93 °C) | -30 to +200 °F (-34 to +93 °C) |
| Fluid consumption rate | 57.7 cu. in./cycle or 1 gal./4 cycles (945,5 cm ³ /cycle or 3,8 liter/4 cycles) | 18.8 cu. in./cycle or 1 gal./12 cycles (308 cm ³ /cycle or 3,8 liter/12 cycles) |
| Hydraulic fluid inlet | SAE 10 (female) | SAE 8 (female) |
| Hydraulic fluid outlet | SAE 12 (female) | SAE 10 (female) |
| Max. recommended speed (continuous) | 55 cycles/min. | 75 cycles/min. |
| Wetted part materials | Steel, bronze, polyurethane, nitrile | Steel, bronze, polyurethane, nitrile |

* Refer to tables on pg. 98 for maximum operating pressure with specific pump tubes.

PowerMaster III



PowerMaster III models with model 86400 motor

| Pump tube model | Ratio | Drum size | | Maximum delivery pressure | | Maximum hydraulic inlet pressure | |
|-----------------|-------|-----------|-------|---------------------------|-----|----------------------------------|-----|
| | | gal. | liter | psi | bar | psi | bar |
| – | – | | | | | | |
| 84984 | 4:1 | 16 | 60 | 4 000 | 276 | 1 000 | 69 |
| 84985 | 4:1 | 55 | 208 | 4 000 | 276 | 1 000 | 69 |
| 84986 | 4:1 | Stub | Stub | 4 000 | 276 | 1 000 | 69 |

PowerMaster III models with model 86300 motor

| Pump tube model | Ratio | Drum size | | Maximum delivery pressure | | Maximum hydraulic inlet pressure | |
|-----------------|-------|-----------|-------|---------------------------|-----|----------------------------------|-----|
| | | gal. | liter | psi | bar | psi | bar |
| – | – | | | | | | |
| 84984 | 1.5:1 | 16 | 60 | 2 250 | 155 | 1 500 | 103 |
| 84985 | 1.5:1 | 55 | 208 | 2 250 | 155 | 1 500 | 103 |
| 84986 | 1.5:1 | Stub | Stub | 2 250 | 155 | 1 500 | 103 |

PileDriver III models with model 86400 motor

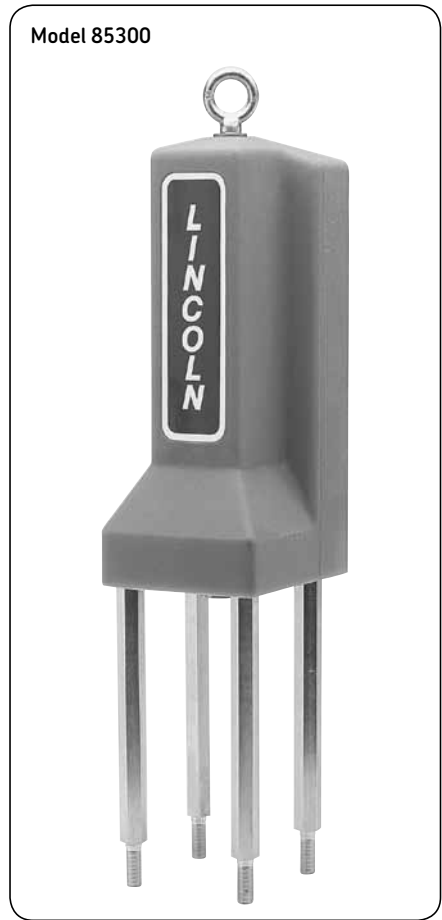
| Pump tube model | Ratio | Drum size | | Maximum delivery pressure | | Maximum hydraulic inlet pressure | |
|-----------------|-------|-----------|-------|---------------------------|-----|----------------------------------|-----|
| | | gal. | liter | psi | bar | psi | bar |
| – | – | | | | | | |
| 85922 | 1.2:1 | Stub | Stub | 1 800 | 124 | 1 500 | 103 |

PileDriver III models with model 86300 motor

| Pump tube model | Ratio | Drum size | | Maximum delivery pressure | | Maximum hydraulic inlet pressure | |
|-----------------|-------|-----------|-------|---------------------------|-----|----------------------------------|-----|
| | | gal. | liter | psi | bar | psi | bar |
| – | – | | | | | | |
| 85922 | 0.4:1 | Stub | Stub | 600 | 41 | 1 500 | 103 |

Hydraulic motor for PowerMaster III pump tubes

- **Designed for oil, ATF and gear oil**
- Safe to use where electric or pneumatic motors may be hazardous.
- Virtually eliminate concerns about air supply condition and exhaust emissions.
- Efficiently generates high material pressure and flow rate with minimum hydraulic power consumption.
- Few internal moving parts. No mechanical linkages or solenoids to fail or wear out.
- An internal changeover circuit requires no external signal for reciprocating action.
- Balanced cylinder design eliminates need for separate stroke adjustments.
- All key components are machined from steel or aluminum to insure long service life in the toughest applications.
- Hydro-PowerMaster was designed and is manufactured under the strict conditions of an ISO 9001 registered quality system.



2

Hydro-PowerMaster technical data

| | |
|--|--|
| Model | 85300 |
| Cylinder diameter | 2 in. (5 cm) |
| Piston rod diameter | 1 3/8 in. (3,5 cm) |
| Stroke length | 6 in. (15 cm) |
| Hydraulic fluid inlet (F) | SAE 8 |
| Hydraulic fluid outlet (F) | SAE 10 |
| Operating pressure range | 300 to 1 500 psi (20,4 to 103 bar) |
| Operating temperature range | -30 to +200 °F (-34 to +93 °C) |
| Fluid flow consumption rate per cycle | 18.8 cu. in. (308,1 cm ³) |
| Recommended continuous speed | 75 cycles/minute |
| Wetted parts materials | Steel, aluminum, bronze, nitrile, PTFE, polyurethane |

PowerMaster III special pump

| Motor | Pump tube | Ratio | Drum size | | Size NPT (f) | Maximum hydraulic pressure | | Maximum pressure | | Free delivery | |
|-------|-----------|-------|-----------|-------|--------------|----------------------------|-----|------------------|-----|---------------|-------|
| | | | gal. | liter | | psi | bar | psi | bar | gal. | liter |
| 85300 | 84985 | 1.5:1 | 55 | 208 | 3/4 | 1 500 | 103 | 2 250 | 155 | 3.9 | 14,6 |
| 85300 | 84984 | 1.5:1 | 16 | 60 | 3/4 | 1 500 | 103 | 2 250 | 155 | 3.9 | 14,6 |
| 85300 | 84986 | 1.5:1 | stub | - | 3/4 | 1 500 | 103 | 2 250 | 155 | 3.9 | 14,6 |

Must order hydraulic motor and pump tube separately.
CAUTION: Do not exceed maximum hydraulic inlet pressure listed for each motor/pump tube combination.

Hydraulic PowerMaster motor

Model 86400



Ideal for mining, heavy construction and portable lubrication trucks

Rugged design with minimum moving parts, maximum reliability and durability in heavy-duty applications

- Two motor sizes available
- Expands pumping capability to higher pressure and higher volume applications
- Internal logic provides smooth changeover for each stroke
- No need for external pressure or limit switches and solenoid valves
- Responds immediately to changes in grease volume and pressure demands
- Versatile – designed to deliver effectively in transfer and automated lubrication
- Use with Lincoln's PowerMaster and PileDriver pump tube

Model 86300



Hydraulic PowerMaster motor technical data

| Model | 86400 | 86300 |
|-------------------------------------|---|---|
| Cylinder diameter | 3 1/2 in. (89 mm) | 2 in. (51 mm) |
| Piston rod diameter | 2 1/2 in. (64 mm) | 1 7/16 in. (37 mm) |
| Stroke length | 6 in. (152 mm) | 6 in. (152 mm) |
| Operating pressure range* | 300 to 1 500 psi (21 to 103 bar) | 300 to 1 500 psi (21 to 103 bar) |
| Operating temperature range | -30 to +200 °F (-34 to +93 °C) | -30 to +200 °F (-34 to +93 °C) |
| Fluid consumption rate | 57.7 cu. in./cycle or 1 gal./4 cycles (945,5 cm ³ /cycle or 3.8 liter/4 cycles) | 18.8 cu. in./cycle or 1 gal./12 cycles (308 cm ³ /cycle or 3.8 liter/12 cycles) |
| Hydraulic fluid inlet | SAE 10 (female) | SAE 8 (female) |
| Hydraulic fluid outlet | SAE 12 (female) | SAE 10 (female) |
| Max. recommended speed (continuous) | 75 cycles/min. | 75 cycles/min. |
| Wetted part materials | Steel, bronze, polyurethane, nitrile | Steel, bronze, polyurethane, nitrile |

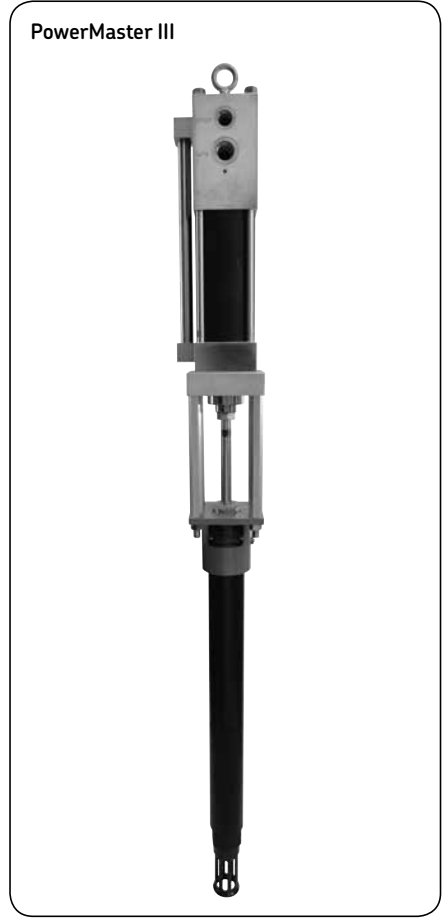
* Refer to tables on pg. 101 for maximum operating pressure with specific pump tubes.

PowerMaster III models with model 86400 motor

| Pump tube model | Ratio | Drum size | | Maximum delivery pressure | | Maximum hydraulic inlet pressure | |
|-----------------|-------|-----------|-------|---------------------------|-----|----------------------------------|-----|
| | | gal. | liter | psi | bar | psi | bar |
| – | – | | | | | | |
| 84991 | 8:1 | 55 | 208 | 7 200 | 496 | 900 | 62 |
| 84992 | 8:1 | 16 | 60 | 7 200 | 496 | 900 | 62 |
| 84993 | 14:1 | 55 | 208 | 7 000 | 483 | 500 | 35 |
| 84994 | 14:1 | 16 | 60 | 7 000 | 483 | 500 | 35 |
| 84995 | 17:1 | 55 | 208 | 7 650 | 527 | 450 | 31 |
| 84996 | 17:1 | 16 | 60 | 7 650 | 527 | 450 | 31 |
| 84997 | 23:1 | 55 | 208 | 6 900 | 476 | 300 | 21 |
| 84998 | 23:1 | 16 | 60 | 6 900 | 476 | 300 | 21 |

PowerMaster III models with model 86300 motor

| Pump tube model | Ratio | Drum size | | Maximum delivery pressure | | Maximum hydraulic inlet pressure | |
|-----------------|-------|-----------|-------|---------------------------|-----|----------------------------------|-----|
| | | gal. | liter | psi | bar | psi | bar |
| – | – | | | | | | |
| 84991 | 2.7:1 | 55 | 208 | 4 000 | 276 | 1 500 | 103 |
| 84992 | 2.7:1 | 16 | 60 | 4 000 | 276 | 1 500 | 103 |
| 84993 | 4.5:1 | 55 | 208 | 6 750 | 465 | 1 500 | 103 |
| 84994 | 4.5:1 | 16 | 60 | 6 750 | 465 | 1 500 | 103 |
| 84995 | 5.5:1 | 55 | 208 | 7 500 | 517 | 1 300 | 90 |
| 84996 | 5.5:1 | 16 | 60 | 7 500 | 517 | 1 300 | 90 |
| 84997 | 8:1 | 55 | 208 | 7 200 | 496 | 900 | 62 |
| 84998 | 8:1 | 16 | 60 | 7 200 | 496 | 900 | 62 |



Model 85300



Hydraulic motor for PowerMaster III pump tubes

- **Designed for grease**
- Safe to use where electric or pneumatic motors may be hazardous.
- Virtually eliminate concerns about air supply condition and exhaust emissions.
- Efficiently generates high material pressure and flow rate with minimum hydraulic power consumption.
- Few internal moving parts. No mechanical linkages or solenoids to fail or wear out.
- An internal changeover circuit requires no external signal for reciprocating action.
- Balanced cylinder design eliminates need for separate stroke adjustments.
- All key components are machined from steel or aluminum to insure long service life in the toughest applications.
- Hydro-PowerMaster was designed and is manufactured under the strict conditions of an ISO 9001 registered quality system.

Hydro-PowerMaster technical data

| | |
|--|--|
| Model | 85300 |
| Cylinder diameter | 2 in. (5 cm) |
| Piston rod diameter | 1 3/8 in. (3,5 cm) |
| Stroke length | 6 in. (15 cm) |
| Hydraulic fluid inlet (F) | SAE 8 |
| Hydraulic fluid outlet (F) | SAE 10 |
| Operating pressure range | 300 to 1 500 psi (20,4 to 103 bar) |
| Operating temperature range | -30 to +200 °F (-34 to +93 °C) |
| Fluid flow consumption rate per cycle | 18.8 cu. in. (308,1 cm ³) |
| Recommended continuous speed | 75 cycles/minute |
| Wetted parts materials | Steel, aluminum, bronze, nitrile, PTFE, polyurethane |

PowerMaster III hydraulic-powered pumps

| Motor | Pump tube | Ratio | Drum size | | Size NPT (f) | Maximum hydraulic pressure | | Maximum pressure | | Free delivery | |
|--------------|-----------|-------|-----------|-------|--------------|----------------------------|-----|------------------|-----|---------------|------------|
| | | | gal. | liter | | psi | bar | psi | bar | gal./min. | liter/min. |
| 85300 | 84991 | 3:1 | 55 | 208,2 | 3/4 | 1 500 | 103 | 4 500 | 310 | 2.0 | 7,5 |
| 85300 | 84992 | 3:1 | 16 | 60,57 | 3/4 | 1 500 | 103 | 4 500 | 310 | 2.0 | 7,5 |
| 85300 | 84993 | 4.5:1 | 55 | 208,2 | 3/4 | 1 500 | 103 | 6 750 | 466 | 1.2 | 4,5 |
| 85300 | 84994 | 4.5:1 | 16 | 60,57 | 3/4 | 1 500 | 103 | 6 750 | 466 | 1.2 | 4,5 |
| 85300 | 84995 | 5:1 | 55 | 208,2 | 3/4 | 1 500 | 103 | 7 500 | 517 | 1.0 | 3,7 |
| 85300 | 84996 | 5:1 | 16 | 60,57 | 3/4 | 1 500 | 103 | 7 500 | 517 | 1.0 | 3,7 |
| 85300 | 84997 | 7:1 | 55 | 208,2 | 3/4 | 1 000 | 69 | 7 000 | 483 | 0.7 | 2,6 |
| 85300 | 84998 | 7:1 | 16 | 60,57 | 3/4 | 1 000 | 69 | 7 000 | 483 | 0.7 | 2,6 |

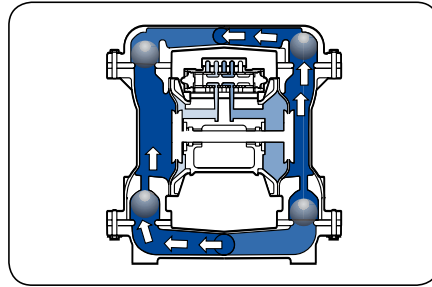
Must order hydraulic motor and pump tube separately.
CAUTION: Do not exceed maximum hydraulic inlet pressure listed for each motor/pump tube combination.

1/4 to 2 in. air-operated diaphragm pumps

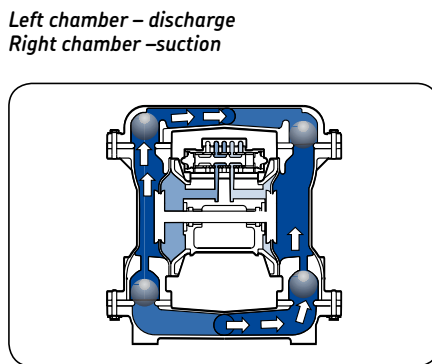
Basic design features

Diaphragm pumps are driven by compressed air. The directional air distribution valve and pilot valve – the “air end” – are located in the center section of the pump. Liquid moves through two manifolds and outer chambers of the pump, the “wet end”. Generally, check valves are located at the top and bottom of each outer chamber or on a common manifold. The two outer chambers are connected by suction and discharge manifolds. Lincoln’s double diaphragm self-priming design offers many advantages over other pumps.

- Pump abrasive and shear-sensitive materials.
 - Low interval velocities move abrasives easily with no damage. Gentle pumping action does not shear fragile materials.
- Pumps viscous materials.
 - Even heavy or solids-laden materials can be pumped.
- Environmentally friendly.
 - No motors, seals or packing to leak.
- Self-priming.
 - Able to dry prime under most suction lift or flooded suction conditions.
- Variable flow.
 - Regulate the inlet air supply to adjust flow.
- Runs dry without damage.
- Deadheads against closed discharge.
 - Excessive back pressure stops operation without damage until discharge opens. Eliminates bypass systems or relief valves.
- Explosion-proof.
 - Eliminates sparking concerns of other electrical or rotating pumps.



*Right chamber – discharge
Left chamber – suction*



*Left chamber – discharge
Right chamber – suction*

Model 85630



Model 85628



Model 85622



Model 85634



WARNING!

The pump exhaust should be piped to an area for safe disposal of product being pumped in the event of a diaphragm failure.

Pumps and accessories – air-operated diaphragm (AODD) pumps

1:1 air-operated diaphragm pump line

| Model | Description | Pump body | Wetted or soft parts | Size | | Free delivery | | Air inlet NPT (f) | Maximum pressure | | Element particle size | | Application |
|--------------|-------------|-----------|----------------------|-----------|-------------------|---------------|-------|-------------------|------------------|------|-----------------------|------|--------------------------------------|
| | | | | inlet NPT | outlet NPT | gal. | liter | | psi | bar | in. | mm | |
| – | in. | – | – | in. | in. | gal. | liter | in. | psi | bar | in. | mm | – |
| 85630 | 1/4 | Polyprop | PTFE | 1/4 | 1/4 | 4 | 15,1 | 1/4 | 100 | 6,89 | 1/32 | 0,79 | New oil, AF, windshield washer fluid |
| 85631 | 1/2 | Aluminum | Buna-N | 1/2 | 1/2 | 15 | 56,8 | 1/4 | 100 | 6,89 | 1/8 | 3,17 | New/used oil, AF |
| 85632 | 1/2 | Aluminum | PTFE | 1/2 | 1/2 | 15 | 56,8 | 1/4 | 100 | 6,89 | 1/8 | 3,17 | New oil, AF |
| 85633 | 1/2 | Aluminum | Hytrel | 1/2 | 1/2 | 15 | 56,8 | 1/4 | 100 | 6,89 | 1/8 | 3,17 | New oil |
| 85622 | 1/2 | Polyprop | Santoprene | 1/2 | 1/2 ¹⁾ | 14 | 53 | 1/4 | 100 | 6,89 | 1/8 | 3,17 | High abrasion materials |
| 85623 | 1/2 | Polyprop | PTFE | 1/2 | 1/2 ¹⁾ | 14 | 53 | 1/4 | 100 | 6,89 | 1/8 | 3,17 | New oil, AF |
| 85626 | 1/2 | Polyprop | Buna-N | 1/2 | 1/2 ¹⁾ | 14 | 53 | 1/4 | 100 | 6,89 | 1/8 | 3,17 | New oil, AF |
| 85629 | 1 | Aluminum | Hytrel | 1 | 1 | 45 | 170,3 | 1/2 | 125 | 8,6 | 1/4 | 6,35 | New oil |
| 85628 | 1 | Aluminum | PTFE | 1 | 1 | 45 | 170,3 | 1/2 | 125 | 8,6 | 1/4 | 6,35 | New oil, AF |
| 85627 | 1 | Aluminum | Buna-N | 1 | 1 | 45 | 170,3 | 1/2 | 125 | 8,6 | 1/4 | 6,35 | New/used oil, AF |
| 85621 | 1 1/2 | Aluminum | Buna-N | 1 1/2 | 1 1/2 | 106 | 401,3 | 3/4 | 125 | 8,6 | 1/4 | 6,35 | New/used oil, AF |
| 85624 | 2 | Aluminum | Buna-N | 2 | 2 | 150 | 567,8 | 3/4 | 125 | 8,6 | 1/4 | 6,35 | New/used oil, AF |

¹⁾ Can be converted to dual 1/2 in. outlet.

U.L. listed

| Model | Description | Pump body | Wetted or soft parts | Size | | Free delivery | | Air inlet NPT (f) | Maximum pressure | | Element particle size | | Application |
|--------------|-------------|-----------|----------------------|-----------|------------|---------------|-------|-------------------|------------------|------|-----------------------|------|---|
| | | | | inlet NPT | outlet NPT | gal. | liter | | psi | bar | in. | mm | |
| – | in. | – | – | in. | in. | gal. | liter | in. | psi | bar | in. | mm | – |
| 85634 | 1 U.L. | Aluminum | Buna-N | 1 | 1 | 45 | 170,3 | 1/2 | 50 ²⁾ | 3,45 | 1/4 | 6,35 | Used oil, diesel, kerosene |
| 85635 | 1 U.L. | Aluminum | PTFE | 1 | 1 | 45 | 170,3 | 1/2 | 50 ²⁾ | 3,45 | 1/4 | 6,35 | Unleaded gas, diesel, kerosene used oil |

²⁾ 50 psi (3,45 bar) flammable liquids, 125 psi (8,6 bar) others

Dual inlet

| Model | Description | Pump body | Wetted or soft parts | Size | | Free delivery | | Air inlet NPT (f) | Maximum pressure | | Element particle size | | Application |
|--------------|-------------|-----------|----------------------|----------------------|------------|---------------|-------|-------------------|------------------|------|-----------------------|------|-------------|
| | | | | inlet NPT | outlet NPT | gal. | liter | | psi | bar | in. | mm | |
| – | in. | – | – | in. | in. | gal. | liter | in. | psi | bar | in. | mm | – |
| 85636 | 1/2 | Aluminum | Buna-N | 1/2 | 1/2 | 15 | 56,8 | 1/4 | 125 | 8,6 | 1/8 | 3,17 | AF/water |
| 85637 | 1/2 | Polyprop | Buna-N | 1/2 | 1/2 | 14 | 53 | 1/4 | 100 | 6,89 | 1/8 | 3,17 | AF/water |
| 85639 | 1 | Polyprop | Buna-N | 1 ANSI ³⁾ | – | 45 | 170,3 | 1/2 | 100 | 6,89 | 1/4 | 6,35 | AF/water |
| 85638 | 1 | Aluminum | Buna-N | 1 | 1 | 42 | 159 | 1/2 | 125 | 8,6 | 1/4 | 6,35 | AF/water |

³⁾ Model 85639 requires model 275631 adapter and model 275632 seal kit for pipe thread installations.

AODD pump accessories

Wall mount brackets

Model 85255 wall mount bracket

Wall mount bracket for 1/4 to 1/2 in. air-operated diaphragm pumps.

Model 84817 wall mount bracket

Wall mount bracket for 1/2 to 2 in. air-operated diaphragm pumps.

Other accessories

Model 240994 drum adapter kit

For use with 1/2 in. polypropylene AODD pumps. Includes 2 in. NPT (f) bung bushing, 1 x 36 in. (25,4 x 914,4 mm) suction tube and adapter.

Model 275631 1 in. ANSI flange to 1 in. NPT adapter

Adapts 1 in. ANSI flange of model 85639 polypropylene dual inlet pump to 1 in. NPT (f). PVC for low pressure installations. Three required to convert all pump inlets/outlets.

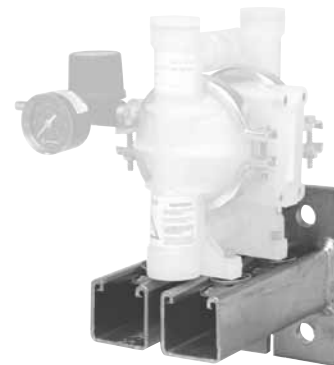
Model 275632 ANSI bolt kit with seal

Attaches adapter to model 85639 pump. One bolt kit required for each adapter. Three required to convert all pump inlets/outlets.

Thermal pressure protection

Protect lubrication system components from high pressure spikes caused by temperature change in a closed fluid network.

Model 85255



Model 84817



Model 240994



Model 282902



Thermal pressure protection

| Model | Description | Application | Pre-set relief pressure | | Size NPT |
|----------|--------------------------------|--------------------|-------------------------|-----|------------|
| | | | psi | bar | |
| – | – | – | psi | bar | in. |
| 282902 | Valve only | AODD pumps | 150 | 10 | 1/2 |
| 277601-4 | Kit with valve, hose, adapters | 1/2 in. AODD pumps | 150 | 10 | Integrated |
| 277601-5 | Kit with valve, hose, adapters | 1/2 in. AODD pumps | 150 | 10 | Integrated |

Model 85922



High-volume stub-mounted transfer pump

Lincoln raises the bar for stub-mounted transfer pumps with the model 85922 high-volume pump tube. In combination with PowerMaster air motors, this pump tube offers a wide range of options to provide needed volume and pressure for high-output transfer and multi-reel dispense systems.

- Large ports reduce resistance for improved flows in real world applications.
- 6 in. (152 mm) stroke lets the pump work easier to deliver the same or more volume.
- Proven PileDriver III pump tube and PowerMaster III air motor based design is durable, dependable and easy to maintain over the life of the pump.
- 2.5 in. NPTF (f) and 3 in. NPTF (m) inlet offers flexible mounting options.

Model 2331 1.5:1 stub pump

Package includes:

- Powermaster III 3 in. air motor model 84803
- PileDriver III stub pump tube model 85922
- Air coupler model 655008
- Air nipple model 653112

Model 2332 3:1 stub pump

Package includes:

- Powermaster III 4.25 in. air motor model 84804
- PileDriver III stub pump tube model 85922
- Air coupler model 655008
- Air nipple model 653112

Model 2333 7:1 stub pump

Package includes:

- Powermaster III 6 in. air motor model 84806
- PileDriver III stub pump tube model 85922
- Air coupler model 655012
- Air nipple model 653112

1:1 air-operated piston transfer pumps

Model 84829 universal

Stub pump design provides the versatility to transfer and dispense controlled amounts of lubricant using an oil spigot, control valve or meter. Adaptable for 16 or 55 gallon (60 or 208 liter) containers as well as bulk tank or standpipe installations. Delivers 12.5 cu. in. (204,8 cm³) per cycle. Includes suction tube, bung bushing, air coupler and air nipple and model 241937 extension tube.

Model 82230

Transfer pump quickly transfers fluids directly from 55 gallon (208 liter) drums. 2 in. (50,8 mm) bung bushing adjusts to varied drum lengths. Designed to stall against lubricant pressure. Use built in air control valve to adjust fluid output flow. Empties a 55 gallon (208 liter) drum in less than three minutes and has adjustable air flow lever.

Model 82715 PTFE kit

For use with model 82230, to allow compatibility with additional products.

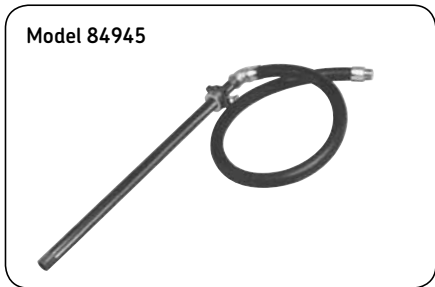


1:1 piston transfer pumps

| Model | Description | Pump body | Wetted or soft parts | Size | | Free delivery per min. | | Air inlet NPT (f) | Maximum pressure | | Typical automotive use |
|-------|--------------------------|--------------------------|----------------------|-----------|------------|------------------------|-------|-------------------|------------------|-------|---|
| | | | | inlet NPT | outlet NPT | gal. | liter | | psi | bar | |
| – | – | – | | in. | in. | gal. | liter | in. | psi | bar | – |
| 84829 | Stub | Aluminum, steel, plastic | Buna-N | 1 | 3/4 | 14 | 53 | 1/4 | 150 | 10,34 | Universal/new oil transfer |
| 82230 | 55 gal. (208 liter) drum | Aluminum, steel | Buna-N | 3/4-11 | 1/2 A.N. | 20 | 75 | 1/4 | 150 | 10,34 | 55 gal. (208 liter) drum/new oil transfer |

Maximum diameter of suspended solids: Not applicable

Transfer pump accessories



Suction kits

Model 84945 suction kit

For transfer of product from drums, bulk tanks or reservoirs. Includes bung bushing suction tube, hose and coupling assembly.



Note: 2 x 1 in. (50,8 x 25,4 mm) bell reducer required for use with model 1914, not included.

Model 85256

Same as model 84945 except for use with 1/4 in. AODD pump.

Used-fluid overfill warning valves

Float rises with used fluid to activate “whistle” warning at prescribed level.



Model 84815 single wall

For single wall tanks and drums in used fluid systems and above ground tanks.

Model 84824 double wall

Same as model 84815 except for double walled tanks and above ground tanks.

4-way valve

Model 84816

Four port, two position valve used in waste fluid systems. Enables one pump to pump into and out of drum or tank. 1 in. NTP female threads inlet/outlet.

Bulk oil systems

3:1 and 5:1 ratio pump packages

Lincoln pump 3:1 and 5:1 ratio packages include model 600003 regulator, model 600401 gauge, model 815 coupler and model 11659 nipple. Control valve, inline meter or handheld metering control valve must be ordered separately (except model 4283).

Model 4283 5:1 with 50 ft. (15,24 m) reel and meter

Deluxe assembly includes:

- Model 84934 5:1 ratio pump with bung bushing, universal suction tube with foot valve to fit any size container up to 275 gallons (1 041 liter)
- 1/2 in. x 50 ft. (12,7 mm x 15,24 m) oil hose reel model 94354 with 2 ft. (0,6 m) connecting hose
- Model 967 electronic meter totalizes in liters and gallons with quart, gallon or pint readout.

Note: Pipe, fittings and hardware for installation of overhead reel assembly supplied by others.

Model 4493 value series pump, reel and meter package

- Configured for above-ground tank installations.
- For use with natural and synthetic oils, automatic transmission fluid, gear oil, antifreeze or hydraulic oil throughout the shop.
- Fast, reliable dispensing with model 4491 6 gallon/min. (22 liter/min.) free delivery pump.
- Easy handling, dependable service with the 94000 series hose reel's heavy-gauge steel base, brass bushings and extra-wide hose guide.
- Accurate and easy dispensing with model 980 electronic oval gear meter with flexible extension.
- Package includes:
 - Model 4491 3.5:1 pump
 - Model 94334 reel with 1/2 in. x 30 ft. (12,7 mm x 9,15 m) hose and ball stop
 - Model 980 electronic meter (measures in quarts)
 - Air line regulator and gauge
 - Air coupler and nipple
 - 2 ft. (0,6 m) fluid connecting hose from pump to reel and adapter union

Model 4283



Model 4493



System for mounting pump and reel on tank

Reel, pump and meter packages

Lincoln puts all the components you specify in one easy-to-order package.

Reel, pump and meter (RPM) packages

| Model | Pump kit | Ratio | Reel 30 ft. (9,15 m) | Electronic meter | Air regulator | Air gauge |
|-------|----------|-------|-------------------------|---------------------|------------------|--------------|
| RPM7 | 282398 | 3:1 | 94334 | 980 | 600003 | 600401 |
| RPM8 | 282398 | 3:1 | 94334 | 982 | 600003 | 600401 |
| RPM10 | 84934 | 5:1 | 94334 | 982 | 600003 | 600401 |

Always consult fluid/solution manufacturer specifications and local fire code(s) before installing any pump into service. Most modern automotive fluid/solutions include some type of additive package which may not be compatible with the typical applications listed below. Some fluids or solutions are considered flammable and/or combustible in which case the dispensing pump should be properly grounded. (Order air coupler and model 4283 air nipple separately.)

Reel, pump and universal suction kit for drums and tanks*

| Model | Pump kit | Ratio | Reel | Suction kit | Air regulator | Air gauge |
|-------|----------|-------|--|----------------|------------------|--------------|
| 4262 | 282396 | 3:1 | 94354 | 85949 | 600003 | 600401 |
| 4265 | 282396 | 3:1 | 50 ft. (15,24 m) 94334 30 ft. (9,15 m) | 85949 | 600003 | 600401 |

* Order meter or dispense valve separately

3:1 Ratio • Corrosive Fluids

Series 20 pumps 3:1 pressure ratio

Model 84145-9 stainless steel

For pumping synthetic hydraulic oil, anti-freeze or corrosive products. Pump may be coupled to stand pipe, mounted with bracket and suction kit or pump tube extension may be added for bung mounting to bulk tank, 2.5 gallon/min. (9 liter/min.) free delivery. Pump tube constructed of 316 stainless steel and features PTFE packings, air inlet 1/4 in. NPT (f), material outlet 1/2 in. NPT (f) comes with air coupler and plug and model 84147-9 product check assembly.

Model 84080-9 stainless steel

Recommended for use with antifreeze, solvents and windshield washer solution. 316 series stainless steel construction and PTFE packings assures long life. 3:1 ratio pump for transfer of corrosive or toxic fluids. Mounts on 55-gallon (208 liter) bung opening drums. Delivers 2.5 gallon/min. (9 liter/min.). Lasts longer than carbon steel models in corrosive service. Maximum air pressure 125 psi (8,6 bar).

Model 84145-9



Model 84080-9



WARNING!

For safe and proper use, always consult instructions accompanying product. See **Safety Warning Information** for appropriate warnings.



Pumps designed for value

Features

- **For pumping oil, ATF and gear oil**
- Proven horizontal, valved-piston motor design for simplicity and reliability
- Provides quick dispense, fill or transfer with high-volume output
- Built-in muffler for quiet operation
- Cost-effective solution for oil distributors who need to supply pumps for customers who purchase bulk oil in tanks or drums
- Available as stub pump, 16 or 55 gallon (60 or 208 liter) pump or 50 to 275 gallon (946 to 1 041 liter) tank pump
- Motor's single-stroke action delivers cost effective, high performance and high flow
- Provides quick dispense and fill of ATF, oil, gear lubrication and other fluid lubricants with the speed of many higher-priced pumps
- Ideal for use with one or two overhead reels in applications such as medium-to-light vehicle service facilities, car dealerships, small contractors, farmers and agriculture equipment dealers

Value series transfer pumps technical data

| | | |
|------------------------------------|-------------|--|
| Pump ratio | | 3.5:1 |
| Output per stroke | | 5.6 in. ³ (91 cm ³) |
| Delivery output | | 6 gallons/min. (22 liter/min.) |
| Pneumatic inlet pressure | Max. | 120 psi (8,3 bar) |
| | Min. | 20 psig (1,4 bar) |
| Operating temperature range | | 30 to 120 °F (-1 to +49 °C) |
| Weight (empty) | | 14 lbs. (6 kg) |
| Pneumatic port inlet | | 1/4 in.-18 NPTF |
| Material port outlet | | 1/2 NPTF |
| Recommended fluids | | Motor oils, transmission fluid, petroleum-based fluids |

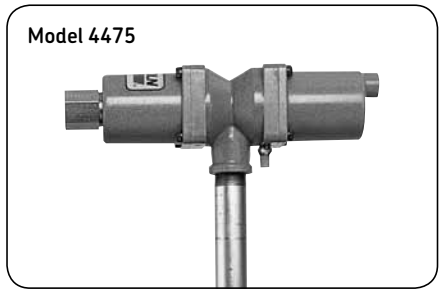
Pump models

| Model | Application | | Mounting | Size | |
|-------------|-------------------------|---------------------------|-------------------------|------|-------|
| | gal. | liter | | in. | mm |
| 4490 | 16 to 55 | 60 to 208 | 2 NPT male bung adapter | 36.5 | 927,1 |
| 4491 | 250 to 275 oval tank | 946 to 1 041 oval tank | 2 NPT male bung adapter | 47 | 1 194 |
| 4492 | stub | | 1.5 NPT male | – | – |

Low-volume transfer pumps for oil, ATF and gear lubricants

Model 4475 series 1:1 pump

The model 4475 pump is a reciprocating-piston, low-pressure single-action pump. Air powers the pump's piston on the dispensing, or working, stroke. An internal spring returns the piston and resets it for the working stroke. It pumps continuously when the dispensing (fluid outlet) valve is open and 20 to 120 psi (1,4 to 8,3 bar) air is supplied to the pump.



2

1:1 value series pumps

| Model | Description | Size | Tube size | | Inlet pressure | | | | Output per stroke | | Free delivery | |
|-------|-------------|------------------------------------|-----------|----|----------------|-----|------|-----|-------------------|-----------------|---------------|------------|
| | | | | | Max. | | Min. | | | | | |
| – | – | in. | in. | cm | psi | bar | psi | bar | in. ³ | cm ³ | gal./min. | liter/min. |
| 4475* | Bare pump | 1/2 NPTF | 34 | 86 | 120 | 8,3 | 20 | 1,4 | 2.9 | 48 | Up to 4 | Up to 15 |
| 4480* | Spigot pump | Spigot extension with on/off valve | 34 | 86 | 120 | 8,3 | 20 | 1,4 | 2.9 | 48 | Up to 4 | Up to 15 |

* Bung bushing models 261102, 261103, 261104
 Ratio is approximately 0.7:1 to 0.8:1 depending on inlet air pressure
 Operation is pneumatic pressure delivery stroke with spring return stroke. Attachment is 2 in. bung, adjustable for 55 and 16 gal. (208,2 and 60,57 liter) drums, bench and portable tank.

Recommended accessories

| Model | Description |
|--------|--|
| 815 | 1/4 in. NPT (f) air coupler |
| 11659 | 1/4 in. NPT (m) air nipple |
| 602003 | 1/4 in. miniature air regulator |
| 247843 | Air line pressure gauge |
| 10462 | 1/4 in. pipe nipple for regulator attachment |



Note: Air line controls are a must for safe and effective pump operation

Heavy-duty, air-operated grease pumps

Model 9989



Model 9989 50:1 25, 50 lb. (11, 22 kg) portable pump with pail cover

Package includes:

- Bare pump model V350035000
 - Drum cover model 275370
 - Flexible follower model 84775
 - Air coupler/nipple model 5874/5875
 - 7 ft. (2,13 m) grease hose model 75084
 - Straight swivel model 82399
 - Universal swivel model 81387
 - Control valve model 740

Model 9917 50:1 120 lb. (54 kg) portable with caster base

Package includes:

- Bare pump model V350120000
 - Drum cover model 46007
 - Flexible follower model 84780
 - Air coupler/nipple model 5874/5875
 - 7 ft. (2,13 m) grease hose model 75084
 - Straight swivel model 82399
 - Universal swivel model 81387
 - Control valve model 740
 - Caster base 80895

Model 9917



Model 9917-57 50:1 120 lb. (54 kg) portable without caster base model 80895

Air-operated grease pumps for 120 lb. (54 kg) drums

The following models contain Lincoln's high-pressure series 20 grease pumps.

Model 917 120 lb. (54 kg) drum

Will dispense 45 oz. (1,3 kg) or 80 cu. in. (1 311 cm³) of NLGI 0 – 2 grease per minute at 150 psi (10 bar). Assures positive prime at lowest temperature. Drum cover model 46007 finished in Lincoln red; roll-a-round base model 80895 base in black; air motor cover in white. Height 43 1/8 in. (1 095 mm). Base 17 in. (432 mm) square. Drum not included.

Model 917-57 120 lb. (54 kg) drum

Same as model 917 without roll-a-round base.

Model 6917 air-operated portable grease pump package

Lincoln's new heavy-duty portable grease pump delivers the same volume and pressure as the more expensive pumps – but at an affordable price.

- Lincoln's time-tested, 2 1/2 in. (63,5 mm), 50:1, air-operated, double-acting grease pump ensures dependable, high-output grease delivery.
- Lube the hard-to-reach fittings with the heavy-duty control valve and universal swivel.
- Standard follower wipes 120 lb. (54 kg) drum sides clean and keeps the pump primed.
- Four-wheel dolly maneuvers easily around the shop.

Model 346P 120 lb. (54 kg) drum

Same as model 917 except with model 674 hand truck which provides convenient transportation for unit. Hand truck has two semi-pneumatic disc wheels and screw-type clamp which locks unit to truck. Drum not included.

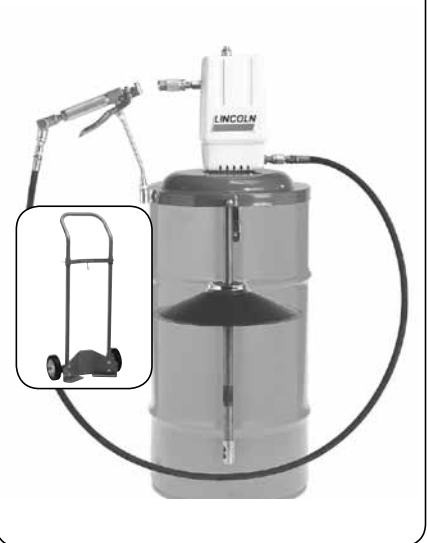
Model 917



Model 6917



Model 346P



Air-operated grease pumps for 120 lb. (54 kg) drums

| Model | Bare pump | Drum cover | Base | Follower | Drum size | |
|--------|-----------|------------|------|----------|-----------|----|
| | | | | | lb. | kg |
| 917-57 | 82050 | 46007 | – | 84780 | 120 | 54 |

Delivery kit for unit includes: model 75084 high-pressure hose, model 11659 nipple, model 740 control valve, model 815 air coupler, model 82399 straight swivel and model 81387 universal swivel.

Note: Free delivery 80 cu. in./min. (1 311 cm³/min.)

Model 987



Air-operated double-acting pumps for 35 lb. (16 kg) pails

Model 987 25 to 50 lb. (11 to 22 kg) pail/ 60 lb. (27 kg) bulk

For 25 to 30 lb. (11 to 13 kg) refinery containers or 60 lb. (27 kg) bulk. Gasket and air vent in lid assembly makes unit completely dust-proof, leak-proof and spill-proof. Ideal for use in all types of weather; container rust-proofed and finished in Lincoln red. Height 31 3/4 in. (806 mm); inside diameter of container 12 1/2 in. (318 mm).

Model 989 25 to 50 lb. (11 to 22 kg) drum

Steel cover has three thumb screws to clamp securely to any original 25 to 50 lb. (11 to 22 kg) refinery container. Carrying handle provides easy portability. Follower plate assures positive prime at lowest temperatures. Cover rust-proofed and finished in Lincoln red. Bucket not included.

Model 989



Air-operated double-acting pumps for 35 lb. (16 kg) drums

| Model | Bare pump | Drum cover | Base | Follower | Drum size | |
|------------|-----------|------------|------|----------------|-----------|----------|
| | | | | | lb. | kg |
| – | – | – | – | – | | |
| 987 | 83513 | 90656 | – | Not supplied * | 25 to 50 | 11 to 23 |
| 989 | 82716 | 91499 | – | 84775 | 25 to 50 | 11 to 23 |

* Optional follower plate model 384775 can be used with original 25 to 50 lb. (11 to 23 kg) refinery grease bucket inside model 987 canister.
 Delivery kits for all units include: model 75084 high-pressure hose, model 11659 nipple, model 740 control valve, model 815 air coupler, model 82399 straight swivel and model 81387 universal swivel.
Note: Free delivery 80 cu. in./min. (1 311 cm³/min.)

Model 84775



Follower plates

Model 84775

Deluxe universal follower for use with 25 to 50 lb. (11 to 22 kg) containers for 1, 1 1/4, 1 1/2 in. (25, 32, 38 mm) diameter pump tubes. All rubber unit ensures complete grease dispensing to the bottom of dented or plastic lined drums; wipes pail or drum clean. Metal cap holds insert firmly in place, ensuring seal and maintaining vacuum.

Model 84780

Same as model 84775 except for use with 120 lb. (54 kg) containers for 1, 1 1/4, 2 in. (25, 32, 51 mm) diameter pump tubes. Used with series 20 and 40 air-operated grease pumps.

Value series 40:1 single-acting, air-operated grease pumps

Features and benefits

- Professional quality lubrication at an affordable price
- High pressure
- Portable medium- to light-duty chassis lubrication
- Proven valved piston design
- Simple grease plunger/bushing
- Control valve and universal swivel
- Easy, one-hand operation
- Built for durability and reliability
- Maximum output:
5 cu. in./2.5 oz. per min. (82 cm³/71 ml)

Model 4417 for 120 lb. (54 kg) drums (drum not included)

Includes 40:1 value series pump, drum cover, high-pressure control valve, universal swivel, coupler, 7 ft. (2,1 m) connecting hose, follower plate and band dolly.

Model 4459 for 25 to 50 lb. (11 to 22 kg) pail (pail not included)

Includes 40:1 value series pump, pail cover, handle, high-pressure control valve, universal swivel, coupler, 7 ft. (2,1 m) connecting hose, follower plate and band dolly.

Model 4489 for 25 to 50 lb. (11 to 22 kg) pail (pail not included)

Same as model 4459 except without band dolly.

Model 4417



Shown with drum (drum not included)

Model 4459



Shown with pail (pail not included)

Value series 40:1 single-acting, air-operated grease pumps technical data

| Model | 4417 | 4459 | 4489 |
|--------------------------------|--|--|--|
| Container size | 120 lb. (54 kg) | 25 to 50 lb. (11 to 22 kg) | 25 to 50 lb. (11 to 22 kg) |
| Four wheel caster dolly | Yes | Yes | No |
| Ratio | 40:1 | 40:1 | 40:1 |
| Air motor effective diameter | 2 in. (52 mm) | 2 in. (52 mm) | 2 in. (52 mm) |
| Air inlet connection | 1/4 NPT (f) | 1/4 NPT (f) | 1/4 NPT (f) |
| Lube outlet | SAE-6 O-ring port | SAE-6 O-ring port | SAE-6 O-ring port |
| Volume output/minute | 5 in. ³ (82 cm ³) | 5 in. ³ (82 cm ³) | 5 in. ³ (82 cm ³) |
| Maximum air pressure | 100 psi (7 bar) | 100 psi (7 bar) | 100 psi (7 bar) |
| Minimum air pressure | 40 psi (3 bar) | 40 psi (3 bar) | 40 psi (3 bar) |
| Maximum grease output pressure | 4 000 psi (276 bar) | 4 000 psi (276 bar) | 4 000 psi (276 bar) |
| Flexible follower | Included with all models | Included with all models | Included with all models |

Delivery kit for all models includes high-pressure grease control valve and coupler, universal swivel, 7 ft. (2,1 m) connecting hose.

Model 600003



Model 600401



Air gauges

Model 600401 gauge

Registers pressures up to 200 psi (13,79 bar). Dial diameter 2 in. (50,8 mm). 1/4 in. NPT center back connection. Calibrated both in psi and kg/cm².

Model 84191



Model 84377



Model 674



Model 80895



Model 674 hand truck

All steel, rugged construction with 6 in. (152,4 mm) diameter wheels. Finished in Lincoln red. 41 high x 15 in. wide (1 041 high x 381 mm wide). For use with 120 lb. (54 kg) or 16 gallon (60 liter) drum.

Model 80895 roll-a-round base

Use with 120 lb. (54 kg) refinery containers. Four ball-bearing swivel casters and screw clamps.

Miniature units

Model 600003 miniature regulator

All brass construction with Buna N diaphragm. For 1/4 in. pipe size. Maximum supply pressure: 300 psi (20,68 bar). Reduced pressure range: 0 to 125 psi (0 to 8,62 bar). Operating temperature range: -40 to +180 °F (-40 to +82 °C). Diameter 1 3/8 in. (35 mm), height 2 3/4 in. (70 mm), weight 1/2 lb. (0.23 kg)

Drum dollies

Model 84191 25 to 50 lb. (5 gal.) [11 to 22 kg (20 liter)] band dolly

Band-type dolly for any original 25 to 50 lb. (11 to 22 kg) refinery containers; caster model 66060.

Model 84192 120 lb. (16 gal.) [54 kg (60 liter)] band dolly

Band-type dolly for use with 120 lb. (54 kg) refinery containers; caster model 66060.

Model 84377 drum dolly

Use with any 400 lb. (55 gal.) [181 kg (208 liter)] drum. ID 23 1/4 in. (591 mm), height 5 1/4 in. (133 mm), hard rubber wheels: 1 in. (25,4 mm) wide, 2 1/2 in. (63,5 mm) diameter.

Accessories

Model 66060 2 1/2 in. (63.5 mm) caster for roll-a-round base units

Standard equipment on Lincoln drum and band dollies.

Model 84941

Eye bolt kit for all series 20, 25 and 40 pumps, makes drum changing easy. Two part model 84941 kit screws directly onto pump for lifting with pump elevator.

Follower plates

Recommended when pumping lubricants that will not seek their own level.

Model 84775

Deluxe universal follower for use with 25 to 50 lb. (11 to 22 kg) containers for 1, 1 1/4, and 1 1/2 in. diameter pump tubes. All rubber unit ensures complete grease dispensing to the bottom of dented or plastic lined drums; wipes pail or drum clean. Metal cap holds insert firmly in place, ensuring seal and maintaining vacuum.

Model 84780

For use with 120 lb. (54 kg) containers for 1, 1 1/4, 1 3/8, 1 1/2 and 2 1/8 in. diameter pump tubes. Used with series 20 and 40 air-operated grease pumps.

Model 4417 for 120 lb. (54 kg) drums (drum not included)

Includes 40:1 value series pump, drum cover, high-pressure control valve, universal swivel, coupler, 7 ft. (2.1 m) connecting hose, follower plate and band dolly.

Model 4459 for 25 to 50 lb. (11 to 22 kg) pail (pail not included)

Includes 40:1 value series pump, pail cover, handle, high-pressure control valve, universal swivel, coupler, 7 ft. (2.1 m) connecting hose, follower plate and band dolly.

Model 4489 for 25 to 50 lb. (11 to 22 kg) pail (pail not included)

Same as model 4459 except without band dolly.

Model 66060



Model 84941



Model 84775



Model 84780



Model 4417



Shown with drum (drum not included)

Model 4459



Shown with pail (pail not included)

Manually operated high-pressure grease pumps



Manual bucket pumps

These quality-built Lincoln bucket pumps dispense high-pressure lubrication in any weather – even at 0 °F (-18 °C).

Model 1292 grease pump

Unit clamps on any 25 to 50 lb. (11 to 22 kg) refinery container in 60 seconds. Includes model 275184 flexible follower. Dimensions (h x w): 21 1/2 x 12 1/4 in. (546 x 311 mm). Tube size 1 1/4 in. (32 mm)

Model 1275

All purpose pump dispenses both lubricants and greases. Especially useful for lubrication of trac-roller bearings. Handle slot pin switches for high pressure 5 000 psi (345 bar) or high-volume, low pressure 2 000 psi (138 bar) delivery. 40 lb. (18 kg) capacity steel container filled through pivot cover opening in lid. May also be used for fast, clean refilling of transmissions, differentials, gear cases and final drives. Order 5 ft. (1,5 m) hose (model 79060) and button-head grease coupler (model 80933) separately. Dimensions (h x w x l): 23 1/2 x 11 3/8 x 14 5/8 in. (597 x 289 x 372 mm)



Model 1272

Large 30 lb. (13 kg) lubricant capacity with easy pumping action, develops a 3 500 psi (241 bar) maximum pressure to lubricate the most closely fitted bearings. Automatic pressure release prevents nozzle drippage, waste and mess. Pump and lid assembly easily removed as a single unit for filling. Order 7 ft. (2 m) hose and coupler assembly (model 81768) separately. Dimensions (h x w x diameter): 28 x 14 x 9 in. (711 x 356 x 229 mm).



WARNING!
 For safe and proper use, always consult instructions accompanying product. See **Safety Warning Information** for appropriate warnings.

Manual grease pumps

| Model | Container size | | Maximum pressure | | Coupler accessories | Hose type | | Follower | Output per stroke | |
|--|----------------|----------|------------------|-----|---------------------|-----------------|-------------------|--------------|---------------------------------------|-----------------|
| | lb. | kg | psi | bar | | ft. | m | | oz. | cm ³ |
| <i>For use with original refinery containers – supplied with bucket cover assembly</i> | | | | | | | | | | |
| 1292 | 25 to 50 | 11 to 23 | 2 500 | 172 | 5852 | 5 (model 79060) | 1,5 (model 79060) | 275184 | .303 ¹⁾ | 8,6 |
| <i>Self-contained models</i> | | | | | | | | | | |
| 1275 | 40 bulk | 18 | 5 000 | 345 | None | None | – | Not supplied | .37 (high) ²⁾ .95 (low) | 10 27 |
| 1272 | 30 bulk | 14 | 3 500 | 241 | None | None | – | Not supplied | .28 | 8,3 |

¹⁾Using no. 1 multi-purpose grease at 80 °F (27 °C)

²⁾Using no. 1 cup grease at 70 °F (21 °C)

Filler pumps – portable and stationary

- Fast (less than a minute), positive gun refilling with simple pumping action
- Filler socket assembly eliminates mess, waste and air pockets

Model 1296 clamp-on carry

Clamps to any original 25 to 50 lb. (11 to 22 kg) refinery container. Handles medium and light lubricants in any weather. Includes pump, filler socket, model 275183 flexible follower plate and ribbed steel drum cover. Rust resistant. Tube size 1 1/2 in. (38 mm).

Model 500L stationary 120 lb. (54 kg) drum

For use with original refinery drums with maximum head diameter of 14 9/16 in. (370 mm) and overall height of 26 5/8 in. (676 mm). Handles all high-pressure lubricants. Includes pump, filler socket and drum cover with one set of adjusting screws to accommodate variations in drum diameter. Red enamel finish; pump head and handle in black. Delivers 1 oz. (28 ml) per stroke.



Filler pumps

| Model | Container size | | Follower | Filler socket ¹⁾ | Dimensions | |
|-------------|----------------|----------|--------------------|-----------------------------|---------------------------------|--------------------------|
| | lb. | kg | | | in. | mm |
| 1296 | 25 to 50 | 11 to 23 | 275183 | 274712 | 20 x 12 1/4 (H x W) | 508 x 311 (H x W) |
| 500L | 120 | 54 | None ²⁾ | 80133 | 26 5/8 x 14 9/16 (H x diameter) | 676 x 370 (H x diameter) |

¹⁾ Requires model 91108 filler nipple

²⁾ For pumping extra heavy lubricants, order follower plate model 84780 for model 500L pump

Model 80133 filler socket assembly

Accepts model 91108 grease gun filler nipple. Attaches to filler pumps for fast, convenient, economical loading. 3/8 in. NPT (f).

Model 91108 filler nipple

Enables hand guns to be loaded using filler pump method. Includes ball check. 1/8 in. NPT (m).



Manually operated grease pump accessories

Model 81768



Delivery hose assemblies for bucket pumps

Model 81673



Delivery hose assemblies for bucket pumps

| Model | Size | | Swivel | Coupler accessories |
|---|------|------|--------|---------------------|
| | ft. | m | | |
| – | | | – | – |
| <i>For contacting hydraulic fittings</i> | | | | |
| 81768 | 7 | 2,13 | 80924 | 5834 |
| <i>For contacting standard button-head fittings</i> | | | | |
| 81673 | 7 | 2,13 | 80924 | 81458 |
| <i>For contacting large button-head fittings</i> | | | | |
| 81168 | 7 | 2,13 | 80924 | 80933 |

2 250 psi (155 bar) maximum operating pressure

Model 81168



Model 46007



Drum covers

Model 46007

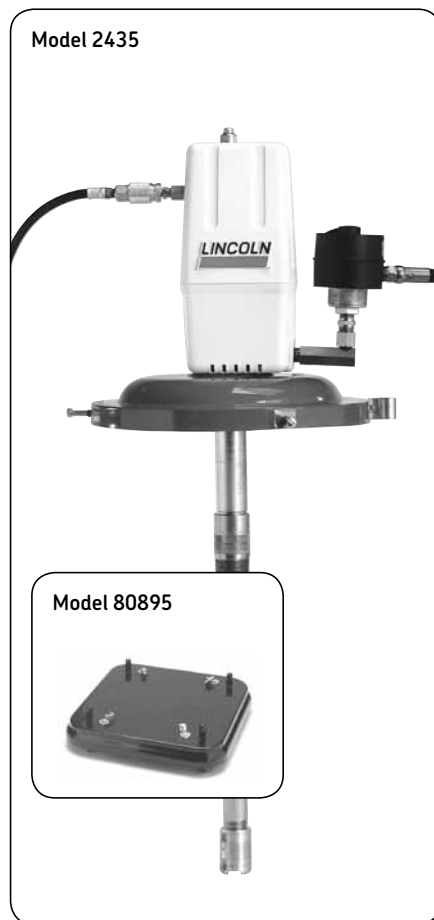
Drum cover for 120 lb. (54 kg) or 16 gallon (60 liter) open top refinery containers for all series 20, 25 and 40 pumps.

Air-operated gear lube and ATF pumps

Air-operated mobile gear lube dispensers

Fast, clean refilling using efficient Lincoln air-operated pumps.

- 3:1 (model 2435) and 5:1 (model 2535) pump ratios delivers gear oil with minimum consumption.
- Air expeller built into pump tube prevents air from registering through meter.
- Large replaceable swivel casters provide ease of maneuverability (mobile models).
- Baked on enamel finish retards rust and corrosion.
- Includes air coupler model 815 and model 780 shut-off valves. Drum not included.



2

Air-operated gear lube and ATF pumps

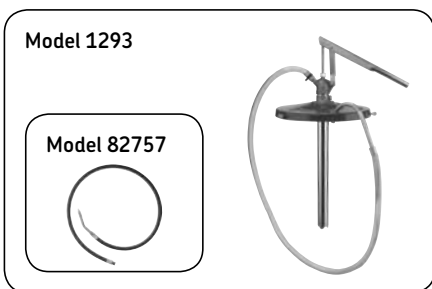
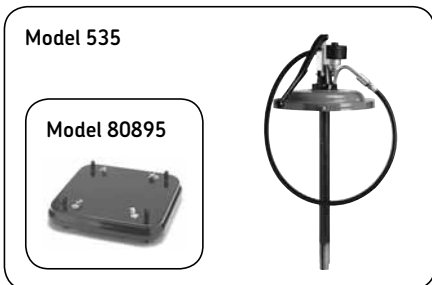
| Model | Container | | Pump ratio | Meter | Style | Hose size model 73060 | | Tube size | | Nozzle | Output | |
|--------|-----------|----|------------|--------------|------------|-----------------------|-----|-----------|-----|--------|-----------|------------|
| | lb. | kg | | | | ft. | m | in. | mm | | gal./min. | liter/min. |
| 2435 | 120 | 54 | 3:1 | 870 (pint) | Drum cover | 5 | 1,5 | 25 3/4 | 654 | 780 | 6 | 23 |
| 2535 | 120 | 54 | 5:1 | 870 (pint) | Drum cover | 5 | 1,5 | 25 3/4 | 654 | 780 | 6 | 23 |
| 2435LN | 120 | 54 | 3:1 | 2873 (liter) | Drum cover | 5 | 1,5 | 25 3/4 | 654 | 780 | 6 | 23 |

All models include model 80895 roll-a-round base

Manual gear lube dispensers

These quality manually operated pumps provide fast, clean refilling of differentials, gear cases and final drives.

- Cast iron pump outlet body and handle (except model 1293) provide durability and longevity.
- Metered models have air expeller built into pump tube (prevents air from registering on meter).
- Large replaceable swivel casters provide ease of maneuverability (mobile models).
- Baked enamel finish. Self-contained units and sealed models prevent contamination or spillage of product being dispensed.
- Smooth, easy pumping action (no crank or gears) dispenses all types of gear lubricants, even in the coldest weather.



Model G400 lever-action bucket pump

Fits 5 gallon (19 liter) buckets. Includes pump, 18 in. (457 mm) drum cover and 4 ft. (1,2 m) delivery hose. Perfect for transferring petroleum-based fluids. Model 82757 hose and nozzle upgrade kit for model 1293. Includes model 80999 nozzle assembly and 5 ft. (1,5 m) model 74560 hose.

Manual gear lube dispensers

| Model | Container | | Meter | Style | Base | Hose size (model 74560) | | Nozzle | Output | |
|--------|-----------|----------|---------------|----------------------|--------------------|-------------------------|-----|--------|--------|----|
| | lb. | kg | | | | ft. | m | | – | – |
| 535 | 120 | 54 | (pints) | 15 ID drum cover | 80895 roll-a-round | 5 | 1,5 | 80599 | 2) | 2) |
| 535LN | 120 | 54 | 2873 (liters) | 15 ID drum cover | 80895 roll-a-round | 5 | 1,5 | 80599 | 2) | 2) |
| 535-58 | 120 | 54 | (pints) | 15 ID drum cover | – | 5 | 1,5 | 80599 | 2) | 2) |
| 549 | 120 | 54 | – | 15 ID drum cover | 80895 roll-a-round | 5 | 1,5 | 80599 | 2) | 2) |
| 549-58 | 120 | 54 | – | 15 ID drum cover | – | 5 | 1,5 | 80599 | 2) | 2) |
| 1253 | 30 (bulk) | 14 | (pints) | self contained | 1) | 5 | 1,5 | 80599 | 2) | 2) |
| 1253LN | 30 (bulk) | 14 | 2873 (liters) | self contained | 1) | 5 | 1,5 | 80599 | 2) | 2) |
| 1254 | 30 (bulk) | 14 | – | self contained | 1) | 5 | 1,5 | 80599 | 2) | 2) |
| 1293 | 5 gal. | 19 liter | – | 12 ID clamp-on cover | – | 5 | 1,5 | – | 3) | 3) |
| G400 | 5 gal. | 19 liter | – | 12 ID clamp-on cover | – | 5 | 1,5 | – | – | – |

¹⁾ Interior 9 in. (229 mm) diameter, 13 3/4 in. (349 mm) width
²⁾ 1 pint (0,5 liter) per 7 strokes using SAE 90 gear lubricator at 70 °F (21 °C)
³⁾ 1 oz. (28 ml) per stroke using SAE 90 at 70 °F (21 °C)

ATF dispensers

Provides fast, clean refilling of all types of transmissions. Ideal for passenger vehicles, light trucks and vans.

- Cast iron pump outlet body and handle provide durability and longevity.
- Air expeller built into pump tube prevents air from registering through meter.
- Large replaceable swivel casters provide ease of maneuverability (mobile models).
- Baked-on enamel finish retards rust and corrosion.
- Smooth, easy pumping action for positive fluid dispensing, even in the coldest weather.

MV6410 1 gal. (3,8 liter) ATF refill system

The MV6410 combines the new fluid dispenser with our popular ATF refill adapter kit to provide a complete system for servicing today's sealed automatic transmissions. The dispenser allows the operator to fill or top-off transmissions with up to 1 gal. (3,8 liter) of fluid between refills, while the pressurized operation frees the operator from continual pumping.



ATF dispensers

| Model | Container | | Meter | Style | Base | Hose size model 91265 | | Tube size ¹⁾ | | Nozzle | Output | |
|-------|-----------|----|----------|------------------|--------------------|--------------------------|-----|-------------------------|-----|--------|--------|----|
| | lb. | kg | | | | ft. | m | in. | mm | | - | - |
| 527 | 120 | 54 | - | 15 ID drum cover | 80895 roll-a-round | 7 | 2,1 | 25 3/4 | 654 | 93547 | 2) | 2) |
| 527A | 120 | 54 | (quarts) | 15 ID drum cover | 80895 roll-a-round | 7 | 2,1 | 25 3/4 | 654 | 93547 | 2) | 2) |

¹⁾ Below rim

²⁾ 8 strokes per quart

Accessories

Model 82757 hose/nozzle kit

Hose and nozzle upgrade kit for model 1293. Includes model 80999 nozzle assembly and 5 ft. (1,5 m) model 74560 hose.

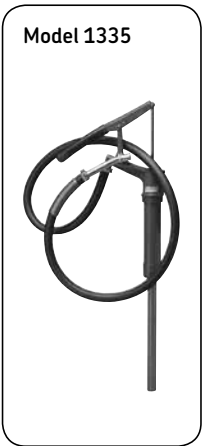
Model 674 hand truck

All steel, rugged construction with 6 in. (152 mm) diameter wheels. Finished in Lincoln red. 41 high x 15 in. wide (1 041 high x 381 mm wide). For use with 120 lb. (54 kg) or 16 gallon (60 liter) drum.

Model 80895 roll-a-round base

Use with 120 lb. (54 kg) refinery containers. Four ball bearing swivel casters and screw clamps. Included with models listed above.





For use with non-corrosive fluids, automotive, agricultural and industrial fluids such as motor oil, transmission fluid, gear oil, engine coolant, silicone oils, and more (not suitable for gasoline).

Model 1326 diaphragm action

Neoprene seals resist wear from abrasive fluids. Double-acting diaphragm delivers 1 gallon/8 strokes (3,8 liter/8 strokes). 8 ft. (2,4 m) hose with discharge nozzle.



Model 1335

This close tolerance pump utilizes brass rings for extreme durability and expanded fluid compatibility. Telescoping pick-up tube with standard 2 in. bung. Bung opening tool built into pump head to open sealed refinery container. 6 ft. (1,8 m) hose with discharge nozzle forward facing, two position handle.

Model 1340 lever action barrel pump

Extended pump body improves top-of-barrel clearance while providing excellent flow per stroke [14.0 fl oz. (414 ml) minimum per stroke].

- Removable non-drip spout allows for threaded hose connection
- Telescoping pick-up tube
- Two-tier threaded bung fits standard 2 and 1.5 in. (50,8 and 38,1 mm) drums

Model G401 lever-action barrel pump

Fits 16 to 55 gallon (60,6 to 208 liter) drums. Delivers 10 oz. (283 ml) per stroke. Includes standard bung bushing. Designed for transfer of petroleum-based, non-corrosive liquids. Curved metal spout features threads to fit all garden hoses.

Manually operated transfer pumps

| Model | Drum size | | Bung bushing NPT (m) | Output per stroke | | Fluid compatibility |
|-------|-----------|-----------|-------------------------|-------------------|-------|---|
| | gal. | liter | | oz. | liter | |
| 1326 | 16 to 55 | 60 to 208 | 2 | 16 | 0,47 | Motor oil, transmission fluid, fuel oils, engine coolant, diesel, kerosene, hydraulic oil |
| 1335 | 16 to 55 | 60 to 208 | 2 | 8.5 | 0,25 | Motor oil, transmission fluid, gear oil, fuel oils, engine coolant, diesel, kerosene, hydraulic oil |
| 1340 | 16 to 55 | 60 to 208 | 2 and 1.5 | 14 | 0,41 | Motor oil, transmission fluid, gear oil, fuel oils, engine coolant, diesel, kerosene, hydraulic oil |
| G401 | 16 to 55 | 60 to 208 | 2 | 10 | 0,28 | Motor oil, transmission fluid, gear oil, fuel oils, engine coolant, diesel, kerosene, hydraulic oil |

Rotary drum pumps

Model 1385

- Fluid types – oils, diesel, kerosene, coolant, non-corrosive materials, petroleum-based fluids, hydraulic oils, ATF
- Internal check prevents drain-back and assures immediate restart
- Seal-tight telescoping pick-up tube with strainer

Model 1385-H (with hose)

Same as model 1385 except includes heavy-duty 3/4 in. x 8 ft. (2,44 m) anti-static hose with non-sparking aluminum nozzle.

Model 1387 (fuel)

- Fluid types – gasoline, diesel, kerosene, coolant, non-corrosive materials, medium-viscosity petroleum-based fluids, hydraulic oils, ATF
- Heavy-duty 3/4 in. x 8 ft. (2,44 m) anti-static hose with non-sparking aluminum nozzle
- Flame arrestor and anti-siphoning vacuum break
- Seal-tight telescoping pick-up tube with strainer
- FM approved

Model G402 rotary barrel pump

Cast iron pump head for transferring petroleum-based, non-corrosive fluids. Comes with standard bung bushing. Delivers approximately one gallon (3,8 liter) per 18 revolutions of handle.

Model 1385



Model 1385-H



Model 1387



Model G402



Rotary drum pumps

| Model | Output revolutions/gal | Fluid compatibility |
|--------|------------------------|--|
| 1385 | 11 | Motor oil, transmission fluid, fuel oils, engine coolant, diesel, kerosene, hydraulic oil |
| 1385-H | 11 | Motor oil, transmission fluid, fuel oils, engine coolant, diesel, kerosene, hydraulic oil |
| 1387 | 11 | Motor oil, transmission fluid, fuel oils, engine coolant, diesel, kerosene, gasoline, hydraulic oil, ethanol |
| G402 | 18 | Motor oil, transmission fluid, fuel oils, engine coolant, diesel, kerosene, hydraulic oil |



Lube dispensing stations

Model 84951 oil bar

Modular three spigot capable red steel oil bar for use with dispensing motor oil, ATD and other fluids. Unit includes a removable tray for disposal of spillage and knock-outs for mounting inline digital meters.

Model 84951-BK oil bar

Same unit as model 84951 but black.

Model 277564 locking spigot

Spring-loaded oil spigot for use with oil pumps to dispense fluids into fill cans. The unit has a latching-style lever to lock the spigot open while dispensing. Recommended when used in conjunction with a Lincoln fluid inventory management system. 3/4 in. NPT (m) and 1/2 in. NPT (f).

Model 277565 non-locking spigot

Spring-loaded oil spigot for use with oil pumps to dispense fluids into fill cans. 3/4 in. NPT (m) and 1/2 in. NPT (f).

Model 277566 15 gallon/minute (56 liter/minute) flow control valve

Flow control valve that provides precision flow control in one direction and automatically allows unrestricted free flow in opposite direction. Two-step needle allows fine adjustment at low flow with first three turns of adjusting knob. Next three turns give full-open needle position and conventional throttling control. 1/2 in.-14 NPT (f); flow range: 15 gal./min. (56 liter/min.); maximum pressure: 2 000 psi (138 bar).

Model 814 universal digital inline meter

Measures in quarts, gallons or liters. Resettable and non-resettable accumulative totals. 1 000 psi (69 bar) maximum, 1/2 in. inlet/outlet, 8 gal./min. (30 liter/min.) maximum.

Model 278549 special fluid non-locking spigot

Non-locking spigot for use with water-based fluid such as washer fluid and coolant.

Model 278629 meter installation kit

Kit includes one 1/2 in. NPT street elbow, one 1/2 in. NPT adapter union, and one 1/2 x 1 in. NPT pipe to connect a meter into the spigot above the oil bar.

Model 84951



Shown with two model 277564 spigots

Model 277564



Model 277566



Model 814





Model 91031



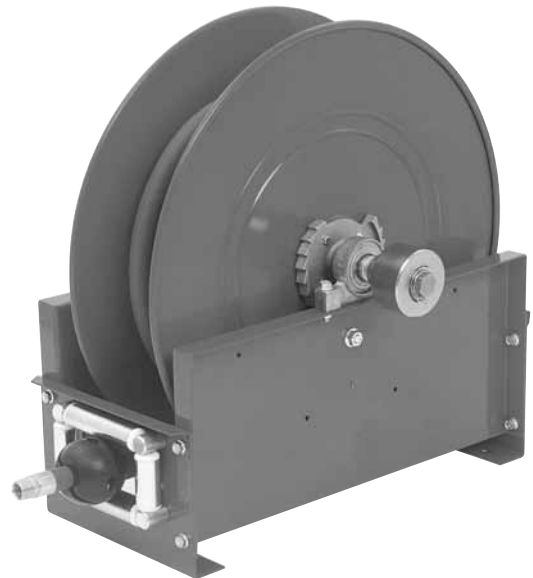
Model 83753



Model 94154



Model 82206



Model 84433

Hose reels and accessories

| | |
|---|-----|
| Power cord and light hose reels | 132 |
| Value series air hose reels | 134 |
| Mini workbench hose reels | 135 |
| Lincoln heavy-duty fluid reel (LFR) series | 136 |
| Dual support heavy-duty fluid reel (LFR) series | 139 |
| Heavy-duty series hose reels | 140 |
| High-flow series reels | 144 |
| Hose and hose reel accessories | 146 |
| Decorative hose reels | 148 |



Power cord and light hose reels

Model 91029



Introducing Lincoln's new line of power cord and light reels. Designed for light-, medium- and heavy-duty applications in home, shop and factory environments.

Power cord reels

- Clear triple tap illuminates when receiving power
- Overload protection
- Adjustable cord stop with anti-kink cord spring
- 4 ft. (1,2 m) connection lead
- 125 V AC input voltage
- cUL listed

Model 91029 medium duty

- 50 ft. (15,2 m) 14/3 SJTOW cord - cold weather compatible, grease, oil and water resistant
- Heavy-duty flame resistant ABS housing
- Wall, ceiling or bench mounted with three fixed-angle positions
- 12 amp rating

Model 91026



Fluorescent light reels

- Super bright 13 W fluorescent PCB electronic bulb
- Soft PVC handle and top cap for superior impact protection
- Fully enclosed safety switch
- Shatter-proof design light extension with polycarbonate clear tube
- Steel wire hooks for hanging light while you work
- Steel retraction spring for positive reel winding
- Adjustable cord stop with anti-kink cord spring
- cUL listed
- 125 V AC input voltage
- 4 ft. (1,2 m) connection lead

Model 91026 medium duty

- 50 ft. (15,2 m) 18/2 SJTOW cord – cold weather compatible, grease, oil and water resistant
- Heavy-duty flame resistant ABS housing
- Wall, ceiling or bench mounted with three fixed-angle positions
- 12 amp rating

Model 91027



LED light reels

- 50 ft. (15,2 m) 18/2 SJTOW cord – cold weather compatible, grease, oil and water resistant
- Soft PVC handle and top cap for superior impact protection
- Fully enclosed safety switch
- Wall, ceiling or bench mounted with three fixed-angle positions
- Shatter-proof design light extension with polycarbonate clear tube
- Steel retraction spring for positive reel winding
- Adjustable cord stop with anti-kink cord spring
- cUL listed
- 125 V AC input voltage
- 4 ft. (1,2 m) connection lead

Model 91027 medium duty

- 30 super bright premium white LEDs
- Curved chrome plated panel focuses the light intensity on work area
- Steel wire hooks for hanging light while you work

Model 91028



Model 91028 medium duty

- 60 super bright premium white LEDs
- 360° rotating plastic hook

Heavy duty reels

- Spring retractable with latch
- Compact for critical space requirements
- Durable abrasion and corrosion resistant baked-on powder coat finish
- Wall, ceiling or bench mount
- Engineered for industrial use
- All models supplied with cord are complete with approximately 4 ft. (1,2 m) pigtail and three-prong plug
- Adjustable cord stop
- cUL listed

Model 91030

- Single receptacle
- 50 ft. (15,2 m) 16/3 SJTOW cord – cold weather compatible, grease, oil and water resistant
- 13 amp rating

Model 91031

- Single receptacle
- 45 ft. (13,7 m) 12/3 SJEOW cord
- 20 amp rating

Model 91032

- Duplex outlet box with GFCI (F)
- 45 ft. (13,7 m) 12/3 SJEOW cord
- 20 amp rating

Model 91033

- Fluorescent light
- 50 ft. (15,2 m) 16/2 SJTOW cord – cold weather compatible, grease, oil and water resistant

Model 91034

- Fluorescent light and outlet
- 50 ft. (15,2 m) 16/3 SJTOW cord – cold weather compatible, grease and oil resistant
- 10 amp rating

Model 91035

- Two 4 watt, high-output LEDs provide bright, even light over the work surface
- 1 watt lensed output LED flashlight at the end provides bright light in tight spaces
- Polycarbonate impact- and shatter-resistant light tube
- Quiet speed-latching mechanism maintains desired working length of cord
- Inline molded tool tap capable of drawing up to 13 A (maximum)
- Protected two-way on/off switch located on handle
- Suited for indoor applications only

Model 91030



Model 91032



Model 91033



Model 91034



Model 91035



4



Value series air and water hose reels

Air and water reel – value series

Lincoln's value series air and water hose reels are constructed of durable, heavy-gauge steel and quality hoses. Designed for stationary indoor and outdoor use, they can be attached to most surfaces that can be drilled. Features include five-position adjustable outlet roller arm, spring-powered automatic recoil, angled hose guide for smooth, parallel hose pull-out and retraction and an eight-position ratchet gearing that locks the reel at the desired hose length.

Model 83753

3/8 in. x 50 ft. (15 m) assembled air and water hose reel includes bare hose reel, 50 ft. (15 m) delivery hose and ball stop.

Model 83754

1/2 in. x 50 ft. (15 m) assembled air and water hose reel includes bare hose reel, 50 ft. (15 m) delivery hose and ball stop.

Value series air and water reel models

| Model | Assembly | Inlet size NPT | Maximum pressure | | Maximum air flow | |
|--------------|---|-------------------|------------------|-----|------------------|----------------------|
| | | | psi | bar | cfm | m ³ /min. |
| – | – | in. | | | | |
| 83753 | 50 ft. (15,2 m) of 3/8 in. air/water hose | 1/4 | 300 | 21 | 25 | 0,7 |
| 83754 | 50 ft. (15,2 m) of 1/2 in. air/water hose | 1/2 | 300 | 21 | 35 | 1 |

Replacement hose models

| Model | Assembly | Inlet size NPT | Maximum pressure | | Maximum air flow | |
|---------------|---|-------------------|------------------|-----|------------------|----------------------|
| | | | psi | bar | cfm | m ³ /min. |
| – | – | in. | | | | |
| 278752 | 50 ft. (15,2 m) of 1/2 in. air/water hose | 1/2 | 300 | 21 | 35 | 1 |
| 278749 | 50 ft. (15,2 m) of 3/8 in. air/water hose | 1/4 | 300 | 21 | 25 | 0,7 |

Replacement swivels models

| Model | Swivel |
|--------------|--------|
| 83753 | 279135 |
| 83754 | 279136 |

Mini workbench hose reels

Lincoln's smallest reel excels in the tightest places.

- Compact size allows for easy installation under workbenches or in cabinets
- Narrow 5 1/4 in. (133,4 mm) width and 14 in. (355,6 mm) spool makes this the most narrow reel in its class
- 1 in. (25,4 mm) quality spring provides reliable, consistent performance and retractability
- 5-year warranty
- Integrated swivel stem and shaft design means easy servicing by simply removing the swivel body
- High gloss, UV-resistant powder coat finish reduces scuffs and impact marks

Model 81133



4

Mini workbench reel technical data

| Model | 81133 | 81323 |
|----------|-----------------|----------------|
| Pressure | Low | Medium |
| Fluid | Air and water | Oil |
| Diameter | 3/8 in. | 3/8 in. |
| Length | 35 ft. (10,7 m) | 25 ft. (7,6 m) |

Ball stops

| Model | Description | Hose type | Size |
|-------|----------------------|---------------------|----------------|
| – | – | – | in. |
| 85515 | Adjustable | RMA Class A | 5/8 |
| 85516 | Adjustable ball stop | RMA Class A and 74 | 11/16 to 23/32 |
| 85517 | Adjustable | 73, 74, 76A and 76B | 27/32 to 31/32 |
| 84347 | Adjustable | 78 and 78B | 11/32 |
| 84122 | Adjustable | – | 1 3/4 to 1 7/8 |
| 84257 | Adjustable | – | 1 1/2 to 1 5/8 |

Model 85515



Model 94354



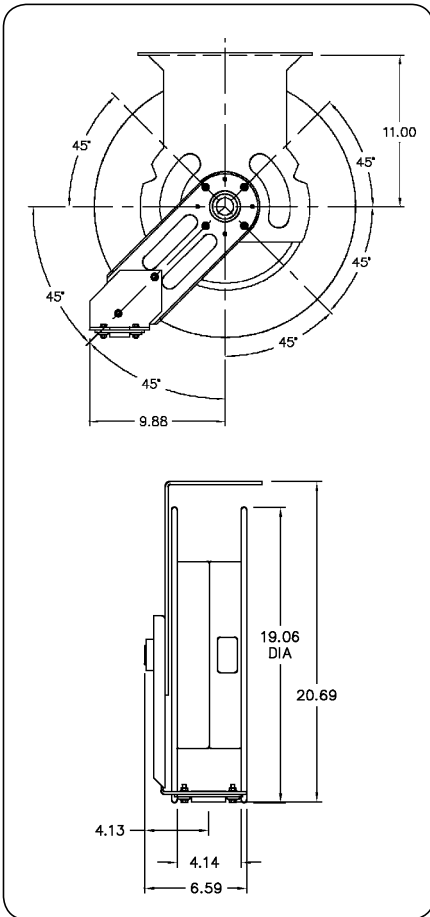
Lincoln's heavy-duty fluid reel series

Lincoln's heavy-duty fluid reel series (LFR) incorporates both new and proven design features and capabilities.

Features

- Low-pressure, fully ported swivel designed to be corrosion resistant when used for air and water-based solutions.
- Medium-pressure, fully ported swivel provides unrestricted flow, dispensing higher volumes of fluid.
- High-pressure swivel includes quick-disconnect for easy hose attachment.
- Two hose clamps perfectly spaced to prevent the hose from locking in the fully extended position.
- Easily accessible – yet fully contained – power springs designed for optimum performance at various operating pressures.
- Dual needle bearings reduce the stress on the spring, providing smooth, balanced operation during both hose extension and retraction.

- Rounded edges on hose guide face enhance safety.
- Electroless nickel plated, corrosion-resistant, low-pressure axle prevents contamination of fluid and restriction of flow.
- Double ratchet teeth provide solid latch to lock hose in multiple usable positions.
- Mounting base accepts Lincoln model 82206 mounting pattern and is slotted at both ends for easy installation.
- Powder-coat finish creates a corrosion-resistant reel that stands up to the elements.



LFR technical data

| Pressure application | High | Medium | Low |
|--------------------------|--|---------------------|--|
| Hose diameter | 1/4 in. 3/8 and 1/2 in. | 1/2 in. | 1/4 and 3/8 in. 1/2 in. |
| Maximum working pressure | 5 000 psi (340 bar) 4 000 psi (272 bar) | 1 500 psi (102 bar) | 250 psi (17 bar) 200 psi (13,6 bar) |

Hose reel designation system

| 94 | 5 | 5 | 2 | G | BK |
|------------|-------------------|---------------|--------------------------------------|--|----|
| Pressure | Hose length | Hose diameter | Valve | Color | |
| 5 – High | 5 – 50 ft. (15 m) | 2 – 1/4 in. | G – 740 | (Blank) – red | |
| 3 – Medium | 3 – 30 ft. (9 m) | 3 – 3/8 in. | H – 3050 | -BK – black | |
| 1 – Low | 6 – 60 ft. (18 m) | 4 – 1/2 in. | A – Air coupler/tire W – Bibbcock | -MB – sapphire blue -RB – signal blue | |

Hose reels and accessories – Lincoln's heavy-duty fluid reel (LFR) series



Model 94000



Model 94552G

Bare reel specifications

| Model | Application | Hose capacity Rating | Type | Size | | Maximum pressure ²⁾ Working | | Inlet size NPT (f) |
|---------------------|---------------------|----------------------|---------|------|----|--|-----|--------------------|
| | | | | ft. | m | psi | bar | |
| – | – | – | – | – | – | – | – | – |
| 94100 ¹⁾ | Air, A-F, water, ww | RMA | Class A | 60 | 18 | 1 000 | 69 | 1/2 |
| 94300 ¹⁾ | Oil | SAE100R3 | 73 | 60 | 18 | 4 000 | 276 | 1/2 |
| 94500 ¹⁾ | Grease | SAE100R2 | 75, 76 | 50 | 15 | 8 000 | 552 | 3/8 |

High-pressure grease reels and assemblies – grease reel and hose assemblies

| Model | Description | | | Included with reel assemblies | | | | |
|---------------------|-------------|--------|----|-------------------------------|-----------------|---------------|-----------|------------------------|
| | Diameter | Length | | Bare reel | Connecting hose | Delivery hose | Ball stop | Control valve or meter |
| – | in. | ft. | m | – | – | – | – | – |
| 94532 | 1/4 | 30 | 9 | 94500 | 75024 | 75360 | 85515 | – |
| 94552 | 1/4 | 50 | 15 | 94500 | 75024 | 75600 | 85515 | – |
| 94553 ¹⁾ | 3/8 | 50 | 15 | 94500 | 76024B | 76600B | 85516 | – |

High-pressure grease reels and assemblies – grease assemblies with universal swivel and control valve

| Model | Description | | | Included with reel assemblies | | | | |
|--------|-------------|--------|----|-------------------------------|-----------------|---------------|-----------|------------------------|
| | Diameter | Length | | Bare reel model | Connecting hose | Delivery hose | Ball stop | Control valve or meter |
| – | in. | ft. | m | – | – | – | – | – |
| 94532G | 1/4 | 30 | 9 | 94500 | 75024 | 75360 | 85515 | 81387 and 740 |
| 94552G | 1/4 | 50 | 15 | 94500 | 75024 | 75600 | 85515 | 81387 and 740 |
| 94553H | 3/8 | 50 | 15 | 94500 | 76024B | 76600B | 85516 | 81729 and 3050 |

Medium-pressure oil reels and assemblies – oil reel and hose assemblies

| Model | Description | | | Included with reel assemblies | | | | |
|---------------------|-------------|--------|----|-------------------------------|-----------------|---------------|-----------|------------------------|
| | Diameter | Length | | Bare reel model | Connecting hose | Delivery hose | Ball stop | Control valve or meter |
| – | in. | ft. | m | – | – | – | – | – |
| 94334 ¹⁾ | 1/2 | 30 | 9 | 94300 | 73024 | 73360 | 85517 | – |
| 94354 ¹⁾ | 1/2 | 50 | 15 | 94300 | 73024 | 73600 | 85517 | – |
| 94364 | 1/2 | 60 | 18 | 94300 | 73024 | 73720 | 85517 | – |

¹⁾ Denotes that these models are available in black (-BK), sapphire blue (-MB) and signal blue (-RB) in addition to the standard Lincoln red. Add the paint suffix to the end of the existing part number (e.g. 94100-BK)

²⁾ Actual working pressure of the reel should not exceed pressure rating of the installed hose. 60 ft. (18 m) hose should be used on installations allowing for a 10 to 12 ft. (3 to 3,7 m) hose hand down.

Hose reels and accessories – Lincoln's heavy-duty fluid reel (LFR) series



Model 94153

Low-pressure reels and assemblies – air, water, A-F, WW fluid reel and hose assemblies

| Model | Description | | | Included with reel assemblies | | | | |
|----------------------------|-------------|--------|----|-------------------------------|-----------------|---------------|-----------|------------------------|
| | Diameter | Length | | Bare reel model | Connecting hose | Delivery hose | Ball stop | Control valve or meter |
| – | in. | ft. | m | – | – | – | – | – |
| 94132 | 1/4 | 30 | 9 | 94100 | 74024 | 72360 | 85515 | – |
| 94133 | 3/8 | 30 | 9 | 94100 | 74024 | 72360A | 85516 | – |
| 94152 | 1/4 | 50 | 15 | 94100 | 74024 | 72600 | 85515 | – |
| 94153¹⁾ | 3/8 | 50 | 15 | 94100 | 74024 | 72600A | 85516 | – |
| 94154¹⁾ | 1/2 | 50 | 15 | 94100 | 74024 | 74600 | 85517 | – |
| 94163 | 3/8 | 60 | 18 | 94100 | 74024 | 72720A | 85516 | – |
| 94153M²⁾ | 3/8 | 50 | 15 | 94100 | 74024 | 72600A | 85516 | – |
| 94154M²⁾ | 1/2 | 50 | 15 | 94100 | 74024 | 74600 | 85517 | – |

¹⁾ Denotes that these models are available in black (-BK), sapphire blue (-MB) and signal blue (-RB) in addition to the standard Lincoln red. Add the paint suffix to the end of the existing part number (e.g. 94100-BK)

²⁾ "M" models denote a high spring for use when using a metered control handle.

Low-pressure air reels and assemblies – air assemblies with air coupler and tire chuck

| Model | Description | | | Included with reel assemblies | | | | |
|---------------|-------------|--------|----|-------------------------------|-----------------|---------------|-----------|------------------------|
| | Diameter | Length | | Bare reel model | Connecting hose | Delivery hose | Ball stop | Control valve or meter |
| – | in. | ft. | m | – | – | – | – | – |
| 94132A | 1/4 | 30 | 9 | 94100 | 74024 | 72360 | 85515 | 815/11659/66951 |
| 94133A | 3/8 | 30 | 9 | 94100 | 74024 | 72360A | 85516 | 815/11659/66951 |
| 94152A | 1/4 | 50 | 15 | 94100 | 74024 | 72600 | 85515 | 815/11659/66951 |
| 94153A | 3/8 | 50 | 15 | 94100 | 74024 | 72600A | 85516 | 815/11659/66951 |
| 94154A | 1/2 | 50 | 15 | 94100 | 74024 | 74600 | 85517 | 815/11659/66951 |

Low-pressure water/antifreeze reels and assemblies – assemblies with water/antifreeze bibbcock

| Model | Description | | | Included with reel assemblies | | | | |
|---------------|-------------|--------|----|-------------------------------|-----------------|---------------|-----------|------------------------|
| | Diameter | Length | | Bare reel model | Connecting hose | Delivery hose | Ball stop | Control valve or meter |
| – | in. | ft. | m | – | – | – | – | – |
| 94132W | 1/4 | 30 | 9 | 94100 | 74024 | 72360 | 85515 | 846 bibbcock |
| 94133W | 3/8 | 30 | 9 | 94100 | 74024 | 72360A | 85516 | 846 bibbcock |
| 94152W | 1/4 | 50 | 15 | 94100 | 74024 | 72600 | 85515 | 846 bibbcock |
| 94153W | 3/8 | 50 | 15 | 94100 | 74024 | 72600A | 85516 | 846 bibbcock |
| 94154W | 1/2 | 50 | 15 | 94100 | 74024 | 74600 | 85517 | 846 bibbcock |

Dual support heavy-duty LFR hose reels

The 50 and 75 ft. (15 and 23 m) dual support hose reel - exceptional stability for rugged, demanding applications

Features and benefits

- The 50 and 75 ft. (15 and 23 m) dual support hose reel is designed based on the proven 94000 series reels with the added feature of greater hose length and more support
- The heavy-duty reel includes a dual arm and dual pedestal that gives the needed foundation for demanding environments
- Dual support from base to axle to roller outlet provides stability for applications with heavy vibration and impact
- Easy to install
- Assembled reels come with 50 and 75 ft. (15 and 23 m) delivery hose, ball stop and 2 ft. (0.6 m) inlet hose
- 75 ft. (23 m) hose for use in high ceiling, fleet and municipalities, mining workshops and applications requiring shared reel banks
- Special 5-year warranty

Models 94300 and 94400



Dual support hose reels models

| Model | Description | Hose | | Application | Maximum pressure | | Inlet size NPT (f) | |
|---------|-------------|----------|--------|-------------|------------------|-------|-----------------------|-----|
| | | Diameter | Length | | psi | bar | | |
| – | – | in. | ft. | m | | | in. | |
| 94100DS | Bare reel | – | 60 | 18 | Air and water | 1 000 | 69 | 1/2 |
| 94200DS | Bare reel | – | 75 | 23 | Air and water | 1 000 | 69 | 1/2 |
| 94300DS | Bare reel | – | 50 | 15 | Oil | 4 000 | 276 | 1/2 |
| 94400DS | Bare reel | – | 75 | 23 | Oil | 4 000 | 276 | 1/2 |
| 94500DS | Bare reel | – | 50 | 15 | Grease | 8 000 | 552 | 3/8 |
| 94600DS | Bare reel | – | 75 | 23 | Grease | 8 000 | 552 | 3/8 |
| 94163DS | Assembled | 3/8 | 60 | 18 | Air and water | 300 | 21 | 1/2 |
| 94154DS | Assembled | 1/2 | 50 | 15 | Air and water | 300 | 21 | 1/2 |
| 94273DS | Assembled | 3/8 | 75 | 23 | Air and water | 300 | 21 | 1/2 |
| 94274DS | Assembled | 1/2 | 75 | 23 | Air and water | 300 | 21 | 1/2 |
| 94354DS | Assembled | 1/2 | 50 | 15 | Oil | 2 000 | 138 | 1/2 |
| 94474DS | Assembled | 1/2 | 75 | 23 | Oil | 2 000 | 138 | 1/2 |
| 94553DS | Assembled | 3/8 | 50 | 15 | Grease | 4 000 | 276 | 3/8 |
| 94673DS | Assembled | 3/8 | 75 | 23 | Grease | 4 000 | 276 | 3/8 |

Heavy-duty series hose reels

Model 82206



The heavy-duty series reels are the finest Lincoln lube reels ever designed. Years of engineering, testing and experience preceded their introduction. The quality and reliability the professional expects from Lincoln is not only met but exceeded in form and function by the heavy-duty series. Value, long-life and top performance were the criteria demanded before these incredible reels were released.

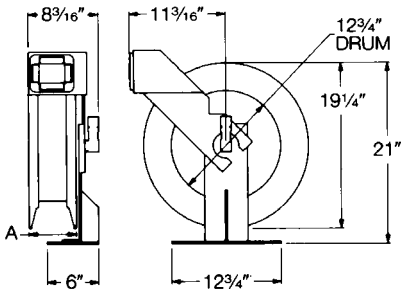
You should expect the best from Lincoln and the heavy-duty series reel delivers it.

- Spring canister with seals
- Thirteen position roller outlet arm
- Delrin rollers
- Quarter-inch thick steel welded base and roller outlet arm
- Reel sheaves are rolled
- Components individually powder painted for long life and scratch resistance
- All reel assemblies factory assembled and pressure tested to insure a quality leak-free installation every time
- Basic reel assemblies can be ordered with one model number; include delivery hose, ball stop and connecting hose
- Complete reel assemblies with meter, control valve or air coupler are also available as one model number
- Backed by a five-year limited warranty. See your Lincoln representative for details

Features

- All bare reels rated for high, medium and low pressure
- Reel assemblies available in standard 30, 40 and 50 ft. (9, 12 and 15 m) hose lengths
- Dual needle roller bearings
- Ball bearing inlet swivel design
- Quick disconnects on delivery and connecting hose

Model 82206



Bare reels for grease, oils, air and water

| Model | Reel application | Hose capacity | | | Inlet size | Pressure Working | | Sheave Width | |
|-------|------------------------|---------------|-----|----|-------------|------------------|-----|--------------|-----|
| | | Type | ft. | m | | psi | bar | in. | mm |
| 82206 | Heavy-duty long length | 75 | 50 | 15 | 1/2 NPT (f) | 8 000* | 552 | 5 1/2 | 140 |
| | | 76A | 50 | 15 | 1/2 NPT (f) | 8 000* | 552 | 5 1/2 | 140 |
| | | 76B | 50 | 15 | 1/2 NPT (f) | 8 000* | 552 | 5 1/2 | 140 |
| | | 73 | 50 | 15 | 1/2 NPT (f) | 8 000* | 552 | 5 1/2 | 140 |
| | | 78 | 50 | 15 | 1/2 NPT (f) | 8 000* | 552 | 5 1/2 | 140 |
| | | Class A | 50 | 15 | 1/2 NPT (f) | 8 000* | 552 | 5 1/2 | 140 |

* Actual working pressure of the reel should not exceed pressure rating of the installed hose.

Hose reels and accessories – heavy-duty series



Model 85050



Model 83464-50

High-pressure reels and assemblies – basic grease assemblies* less hose end control

| Basic reel | Bare reel | Delivery hose | Hose size | | | Connecting hose | Ball stop | Control valve |
|------------------|-----------|---------------|-----------|--------|----|-----------------|-----------|---------------|
| | | | Diameter | Length | | | | |
| – | – | – | in. | ft. | m | – | – | – |
| 85003-30 | 82206 | 75360 | 1/4 | 30 | 9 | 75024 | 85516 | – |
| 85004 | 82206 | 75480 | 1/4 | 40 | 12 | 75024 | 85516 | – |
| 85004-50 | 82206 | 75600 | 1/4 | 50 | 15 | 75024 | 85516 | – |
| 85006-30B | 82206 | 76360B | 3/8 | 30 | 9 | 76024B | 85517 | – |
| 85004-50B | 82206 | 76600B | 3/8 | 50 | 15 | 76024B | 85517 | – |
| 85008-50A | 82206 | 76600A | 1/2 | 50 | 15 | 76024A | 85517 | – |

Medium pressure reels and assemblies – basic fluid lubricant, antifreeze and windshield washer fluid assemblies* less hose end control

| Basic reel | Bare reel | Delivery hose | Hose size | | | Connecting hose | Ball stop | Control valve |
|-----------------|-----------|---------------|-----------|--------|----|-----------------|-----------|---------------|
| | | | Diameter | Length | | | | |
| – | – | – | in. | ft. | m | – | – | – |
| 83463 | 82206 | 73240 | 1/2 | 20 | 6 | 73024 | 85517 | – |
| 83463-30 | 82206 | 73360 | 1/2 | 30 | 9 | 73024 | 85517 | – |
| 83464 | 82206 | 73480 | 1/2 | 40 | 12 | 73024 | 85517 | – |
| 83464-50 | 82206 | 73600 | 1/2 | 50 | 15 | 73024 | 85517 | – |
| 85009-50 | 82206 | 78600 | 5/8 | 50 | 15 | 78024 | 84347 | – |

* See pages 144-155 for meter, valve, or air coupler options for end of delivery hose.

Complete grease assemblies with universal swivel and control valve

| Assembly | Bare reel | Delivery hose | Included with reel assemblies (quantity) | | | Ball stop | Control valve or meter | Swivel | Nipple | |
|--------------|-----------|---------------|--|--------|----|-----------|------------------------|--------|--------|-----------------|
| | | | Hose size | Length | | | | | | Connecting hose |
| – | – | – | Diameter | ft. | m | – | – | – | – | |
| 85050 | 82206 | 75360 | 1/4 | 30 | 9 | 75024 | 85516 | 740 | 81387 | 12957(2) |
| 85051 | 82206 | 75600 | 1/4 | 50 | 15 | 75024 | 85516 | 740 | 81387 | 12957(2) |

Hose reels and accessories – heavy-duty series



Model 82206

Low pressure reels and assemblies – basic air, water* less hose end control

| Basic reel | Bare reel | Delivery hose | Hose size | | | Connecting hose | Ball stop | Control valve or meter |
|-----------------|-----------|---------------|-----------|--------|----|-----------------|-----------|------------------------|
| | | | Diameter | Length | | | | |
| – | – | – | in. | ft. | m | – | – | – |
| 85232 | 82206 | 72360 | 1/4 | 30 | 9 | 72024 | 85515 | – |
| 85011 | 82206 | 72600 | 1/4 | 50 | 15 | 72024 | 85515 | – |
| 85002A | 82206 | 72480A | 3/8 | 40 | 12 | 72024A | 85516 | – |
| 85001 | 82206 | 72600A | 3/8 | 50 | 15 | 72024A | 85516 | – |
| 85012 | 82206 | 72720A | 3/8 | 60 | 18 | 72024A | 85516 | – |
| 85005 | 82206 | 74480 | 1/2 | 40 | 12 | 74024 | 85517 | – |
| 85010-50 | 82206 | 74600 | 1/2 | 50 | 15 | 74024 | 85517 | – |

* See pages 57-65 for meter, valve, or air coupler options for end of delivery hose.

Complete medium pressure assemblies – gear lube

| Basic reel | Bare reel | Delivery hose | Hose size | | | Connecting hose | Ball stop | Control valve or meter |
|--------------|-----------|---------------|-----------|--------|----|-----------------|-----------|------------------------|
| | | | Diameter | Length | | | | |
| – | – | – | in. | ft. | m | – | – | – |
| 85053 | 82206 | 73600 | 1/2 | 50 | 15 | 73024 | 85517 | 780 |
| 85055 | 82206 | 73600 | 1/2 | 50 | 15 | 73024 | 85517 | 878 (meter) |

Complete medium pressure assemblies – oils

| Basic reel | Bare reel | Delivery hose | Hose size | | | Connecting hose | Ball stop | Control valve or meter |
|--------------|-----------|---------------|-----------|--------|----|-----------------|-----------|------------------------|
| | | | Diameter | Length | | | | |
| – | – | – | in. | ft. | m | – | – | – |
| 85056 | 82206 | 73360 | 1/2 | 30 | 9 | 73024 | 85517 | 877 (meter) |
| 85057 | 82206 | 73600 | 1/2 | 50 | 15 | 73024 | 85517 | 877 (meter) |
| 85058 | 82206 | 73360 | 1/2 | 30 | 9 | 73024 | 85517 | 3866 (meter) |
| 85059 | 82206 | 73600 | 1/2 | 50 | 15 | 73024 | 85517 | 3866 (meter) |

Hose reels and accessories – heavy-duty series



Model 85065

Complete medium pressure assemblies – oils (electrical/digital)

| Basic reel | Bare reel | Delivery hose | Hose size | | Connecting hose | Ball stop | Control valve or meter |
|--------------|-----------|---------------|-----------|--------|-----------------|-----------|------------------------|
| | | | Diameter | Length | | | |
| – | – | – | in. | ft. m | – | – | – |
| 85060 | 82206 | 73360 | 1/2 | 30 9 | 73024 | 85517 | 967 (meter) |
| 85061 | 82206 | 73600 | 1/2 | 50 15 | 73024 | 85517 | 967 (meter) |

Complete low pressure assemblies – air service

| Assembly | Bare reel | Delivery hose | Hose size | | Included with reel assemblies | | | Nipple | Air chuck | Bushing |
|--------------|-----------|---------------|-----------|--------|-------------------------------|-----------|-------------|--------|-----------|-------------|
| | | | Diameter | Length | Connecting hose | Ball stop | Air coupler | | | |
| – | – | – | in. | ft. m | – | – | – | – | – | |
| 85062 | 82206 | 72600 | 1/4 | 50 15 | 74024 | 85515 | 815 | 11659 | 66951 | 12080 |
| 85063 | 82206 | 72600A | 3/8 | 50 15 | 74024 | 85516 | 815 | 11659 | 66951 | 67069/10049 |

Complete low pressure assemblies – water service

| Assembly | Bare reel | Delivery hose | Included with reel assemblies | | Ball stop | Bushing | Bibbcock |
|--------------|-----------|---------------|-------------------------------|--------|-----------|---------|-------------|
| | | | Hose size | Length | | | |
| – | – | – | Diameter | Length | – | – | – |
| – | – | – | in. | ft. m | – | – | – |
| 85064 | 82206 | 72600 | 1/4 | 50 15 | 74024 | 85515 | 12080 |
| 85065 | 82206 | 72600A | 3/8 | 50 15 | 74024 | 85516 | 67069/10049 |

High-flow reels and ball stops

Model 84275



Extra-heavy-duty reels for applications that require high product flow and/or longer hose such as service trucks, lube trucks, transit facilities and large fleet shops.

Model 84672



Model 84275

Extra-heavy-duty dual reel sheave support base design and large hose capacity make this 1/2 in. inlet/outlet reel the ideal high-pressure reel for grease, petroleum oils, air and water.

Model 84672

Extra-heavy-duty high flow design makes this 3/4 in. inlet/outlet reel the perfect medium-pressure reel for petroleum oils, used fluid evacuation, air and water service.

Model 84673



Model 84673

Extra-heavy-duty dual reel sheave support base, high flow design and large hose capacity make this 3/4 in. inlet/outlet reel the ideal medium-pressure reel for petroleum oils, used fluid evacuation, air and water service.

High-flow series reels

| Model | Designation | Hose capacity Type | Size | | Inlet size NPT (f) | Pressure Working | | Sheave Width | | Installation size | | | |
|-------|---------------------------------|----------------------------------|------|------|-----------------------|---------------------|-----|-----------------|-----|-------------------|-------|--------|-----|
| | | | ft. | m | | psi | bar | in. | mm | Width | Depth | in. | mm |
| – | – | in. | ft. | m | in. | psi | bar | in. | mm | in. | mm | in. | mm |
| 84275 | Extra-heavy-duty large capacity | 78 | 75 | 22,9 | 1/2 | 5 000 | 340 | 10 | 254 | 13 1/8 | 333 | 12 3/4 | 324 |
| | | 75/76A/76B | 75 | 22,9 | 1/2 | 5 000 | 340 | 10 | 254 | 13 1/8 | 333 | 12 3/4 | 324 |
| | | 73 | 75 | 22,9 | 1/2 | 5 000 | 340 | 10 | 254 | 13 1/8 | 333 | 12 3/4 | 324 |
| 84672 | Extra-heavy-duty high-flow | 3/4 ID x 1 1/4 OD | 30 | 9,1 | 3/4 | 2 000 | 138 | 5 1/2 | 140 | 9 15/16 | 252 | 12 3/4 | 324 |
| | | 73 | 50 | 15,2 | 3/4 | 2 000 | 138 | 5 1/2 | 140 | 9 15/16 | 252 | 12 3/4 | 324 |
| | | 74 | 50 | 15,2 | 3/4 | 2 000 | 138 | 5 1/2 | 140 | 9 15/16 | 252 | 12 3/4 | 324 |
| 84673 | Large capacity | 3/4 ID x 1 1/4 OD | 75 | 22,9 | 3/4 | 2 000 | 138 | 10 | 254 | 14 1/2 | 368 | 12 3/4 | 324 |
| | | 78 | 75 | 22,9 | 3/4 | 2 000 | 138 | 10 | 254 | 14 1/2 | 368 | 12 3/4 | 324 |
| 84432 | Heavy-duty volume | 1 OD low pressure | 50 | 15,2 | 1 | 300 | 21 | 8 | 203 | 15 3/4 | 400 | 24 1/4 | 616 |
| 89010 | Super-duty high-flow | 1 1/4 ID x 1 3/4 OD low pressure | 50 | 15,2 | 1 1/4 | 500 | 35 | – | – | 22 1/8 | 562 | 26 1/4 | 667 |

Hose reels and accessories – high-flow series

Model 84432

Dual reel sheave support base design and high-flow swivel make this 1 in. inlet/outlet reel the ideal low-pressure/volume reel.

This reel is suitable for gasoline, diesel fuel, fuel oil, air and water. Not suitable for ceiling or wall mounted applications.

Model 84433

1 in. x 50 ft. (15,24 m) volume fuel reel assembly comes complete with spring-powered reel model 84432, 1 in. x 50 ft. (15,24 m) delivery hose model 247926 (1 in. NPT thread), ball stop model 84257 and 1 in. x 2 ft. (0,6 m) connecting hose model 247925. Order control valve/nozzle separately.



High-flow reel assemblies

| Basic reel | Bare reel | Delivery hose | Hose size | Ball stop | Control valve or meter |
|------------|-----------|---------------|-------------------------|-----------|------------------------|
| 84433 | 84432 | 247926 | 1 in. x 50 ft. (15,2 m) | 84257 | Order separately |

Recommended mounting and application

| Bare reel | Mounting | Application |
|-----------|----------------------------------|---|
| 84275 | Floor, wall, ceiling, lube truck | Grease, oils, air |
| 84672 | Floor, wall, ceiling, lube truck | Oils, used fluid evacuation, air, water |
| 84673 | Floor, wall, ceiling, lube truck | Oils, used fluid evacuation, air, water |
| 84432 | Floor, platform, lube truck | Fuel, volume oils, used fluid evac., air, water |

Lincoln high-, medium- and low-pressure hoses – every size for every application

High-pressure hose – grease

| Model | Size | | Hose type | ID | OD | Thread size | Maximum pressure Working | |
|--------|------|------|-----------|-----|-------|-------------|--------------------------|-----|
| | ft. | m | | | | | psi | bar |
| 75024 | 2 | 0,6 | 75/100R2A | 1/4 | 11/16 | 1/2– 27 (f) | 5 000 | 345 |
| 75060 | 5 | 1,5 | 75/100R2A | 1/4 | 11/16 | 1/2– 27 (f) | 5 000 | 345 |
| 75084 | 7 | 2,1 | 75/100R2A | 1/4 | 11/16 | 1/2– 27 (f) | 5 000 | 345 |
| 75120 | 10 | 3,0 | 75/100R2A | 1/4 | 11/16 | 1/2– 27 (f) | 5 000 | 345 |
| 75168 | 14 | 4,3 | 75/100R2A | 1/4 | 11/16 | 1/2– 27 (f) | 5 000 | 345 |
| 75240 | 20 | 6,1 | 75/100R2A | 1/4 | 11/16 | 1/2– 27 (f) | 5 000 | 345 |
| 75360 | 30 | 9,1 | 75/100R2A | 1/4 | 11/16 | 1/2– 27 (f) | 5 000 | 345 |
| 75480 | 40 | 12,2 | 75/100R2A | 1/4 | 11/16 | 1/2– 27 (f) | 5 000 | 345 |
| 75600 | 50 | 15,2 | 75/100R2A | 1/4 | 11/16 | 1/2– 27 (f) | 5 000 | 345 |
| 76024B | 2 | 0,6 | 76B/100R2 | 3/8 | 27/32 | 1/2 NPT (f) | 4 000 | 276 |
| 76120B | 10 | 3,0 | 76B/100R2 | 3/8 | 27/32 | 1/2 NPT (f) | 4 000 | 276 |
| 76360B | 30 | 9,1 | 76B/100R2 | 3/8 | 27/32 | 1/2 NPT (f) | 4 000 | 276 |
| 76600B | 50 | 15,2 | 76B/100R2 | 3/8 | 27/32 | 1/2 NPT (f) | 4 000 | 276 |
| 76900B | 75 | 22,9 | 76B/100R2 | 3/8 | 27/32 | 1/2 NPT (f) | 4 000 | 276 |
| 76024A | 2 | 0,6 | 76B/100R2 | 1/2 | 27/32 | 1/2 NPT (f) | 4 000 | 276 |
| 76600A | 50 | 15,2 | 76B/100R2 | 1/2 | 27/32 | 1/2 NPT (f) | 4 000 | 276 |

Medium-pressure hose – oil, gear lube and antifreeze

| Model | Size | | Hose type | ID | OD | Thread size | Maximum pressure Working | |
|---------|------|------|------------|-----|-------|-------------|--------------------------|-----|
| | ft. | m | | | | | psi | bar |
| 73024 | 2 | 0,6 | 73/100R3 | 1/2 | 13/16 | 1/2 NPT (m) | 1 500 | 103 |
| 73036 | 3 | 0,9 | 73/100R3 | 1/2 | 13/16 | 1/2 NPT (m) | 1 500 | 103 |
| 73060 | 5 | 1,5 | 73/100R3 | 1/2 | 13/16 | 1/2 NPT (m) | 1 500 | 103 |
| 73120 | 10 | 3,0 | 73/100R3 | 1/2 | 13/16 | 1/2 NPT (m) | 1 500 | 103 |
| 73240 | 20 | 6,1 | 73/100R3 | 1/2 | 13/16 | 1/2 NPT (m) | 1 500 | 103 |
| 73360 | 30 | 9,1 | 73/100R3 | 1/2 | 13/16 | 1/2 NPT (m) | 1 500 | 103 |
| 73480 | 40 | 12,2 | 73/100R3 | 1/2 | 13/16 | 1/2 NPT (m) | 1 500 | 103 |
| 73600 | 50 | 15,2 | 73/100R3 | 1/2 | 13/16 | 1/2 NPT (m) | 1 500 | 103 |
| 73720 | 60 | 18,3 | 73/100R3 | 1/2 | 13/16 | 1/2 NPT (m) | 1 500 | 103 |
| 73900 | 75 | 22,9 | 73/100R3 | 1/2 | 13/16 | 1/2 NPT (m) | 1 500 | 103 |
| 1230120 | 10 | 3,0 | 1230/100R2 | 3/4 | 1 1/4 | 3/4 NPT (m) | 2 250 | 155 |

Hose accessories – ball stops

Lincoln ball stops are used to cushion and stop hose retraction.

Ball stops

| Model | Description | Hose type | OD |
|-------|----------------------|---------------------|----------------|
| – | – | – | in. |
| 85515 | Adjustable | RMA Class A | 5/8 |
| 85516 | Adjustable ball stop | RMA Class A and 74 | 11/16 to 23/32 |
| 85517 | Adjustable | 73, 74, 76A and 76B | 27/32 to 31/32 |
| 84347 | Adjustable | 78 and 78B | 11/32 |
| 84122 | Adjustable | – | 1 3/4 to 1 7/8 |
| 84257 | Adjustable | – | 1 1/2 to 1 5/8 |



Low-pressure hose – air and water

| Model | Size | | ID | | Thread size | Maximum pressure Working | |
|--------|------|------|-----|-------|-------------|--------------------------|-------|
| | ft. | m | in. | in. | | psi | bar |
| 72024 | 2 | 0,6 | 1/4 | 5/8 | 1/4 NPT (m) | 300 | 20,68 |
| 72036 | 3 | 0,9 | 1/4 | 5/8 | 1/4 NPT (m) | 300 | 20,68 |
| 72060 | 5 | 1,5 | 1/4 | 5/8 | 1/4 NPT (m) | 300 | 20,68 |
| 72120 | 10 | 3,0 | 1/4 | 5/8 | 1/4 NPT (m) | 300 | 20,68 |
| 72240 | 20 | 6,1 | 1/4 | 5/8 | 1/4 NPT (m) | 300 | 20,68 |
| 72360 | 30 | 9,1 | 1/4 | 5/8 | 1/4 NPT (m) | 300 | 20,68 |
| 72600 | 50 | 15,2 | 1/4 | 5/8 | 1/4 NPT (m) | 300 | 20,68 |
| 72024A | 2 | 0,6 | 3/8 | 23/32 | 3/8 NPT (m) | 300 | 20,68 |
| 72360A | 30 | 9,1 | 3/8 | 23/32 | 3/8 NPT (m) | 300 | 20,68 |
| 72480A | 40 | 12,2 | 3/8 | 23/32 | 3/8 NPT (m) | 300 | 20,68 |
| 72600A | 50 | 15,2 | 3/8 | 23/32 | 3/8 NPT (m) | 300 | 20,68 |
| 72720A | 60 | 18,3 | 3/8 | 23/32 | 3/8 NPT (m) | 300 | 20,68 |
| 72900A | 75 | 22,9 | 3/8 | 23/32 | 3/8 NPT (m) | 300 | 20,68 |
| 74024 | 2 | 0,6 | 1/2 | 27/32 | 1/2 NPT (m) | 300 | 20,68 |
| 74060 | 5 | 1,5 | 1/2 | 27/32 | 1/2 NPT (m) | 300 | 20,68 |
| 74480 | 40 | 12,2 | 1/2 | 27/32 | 1/2 NPT (m) | 300 | 20,68 |
| 74600 | 50 | 15,2 | 1/2 | 27/32 | 1/2 NPT (m) | 300 | 20,68 |
| 74900 | 75 | 22,9 | 1/2 | 7/8 | 1/2 NPT (m) | 300 | 20,68 |
| 278749 | 50 | 15,2 | 3/8 | 23/32 | 1/4 NPT (m) | 300 | 20,68 |
| 278752 | 50 | 15,2 | 1/2 | 27/32 | 1/2 NPT (m) | 300 | 20,68 |

Nipples, couplers and bushings for Lincoln 75 grease hose

Bushings

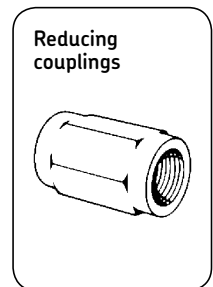
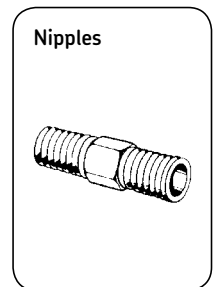
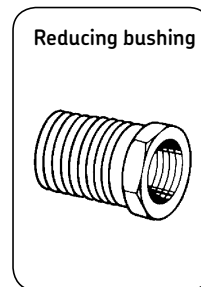
| Model | Thread size |
|-------|----------------------------|
| – | in. |
| 10200 | 1/8 NPT (f) x 1/2 – 27 (m) |
| 10204 | 1/4 NPT (f) x 1/2 – 27 (m) |
| 12287 | 1/2 – 27 (f) x 1/2 NPT (m) |

Reducing couplings

| Model | Thread size |
|-------|----------------------------|
| – | in. |
| 11852 | 1/8 NPT (f) x 1/2 – 27 (f) |
| 10522 | 1/4 NPT (f) x 1/2 – 27 (f) |
| 67171 | 3/4 NPT (m) x 1/2 NPT (f) |

Nipples

| Model | Thread size |
|-------|-----------------------------|
| – | in. |
| 10198 | 1/4 NPT (m) x 1/2 – 27 (m) |
| 10199 | 1/8 NPT (m) x 1/2 – 27 (m) |
| 10202 | 1/2 – 27 (m) x 1/2 – 27 (m) |
| 12957 | 1/2 NPT (m) x 1/2 – 27 (m) |
| 11197 | 1/2 NPT (m) x 1/2 NPT (m) |



Lincoln high-pressure replacement hose – cross reference

| Model | Size |
|----------|-----------------------------|
| – | in. |
| Alemite | 1/2 – 27 (f) x 1/2 – 27 (f) |
| Aro | 1/8 NPT (m) x 1/8 NPT (f) |
| Balcrank | 1/8 NPT (m) x 1/8 NPT (f) |
| Graco | 1/4 NPT (m) x 1/4 NPT (m) |

Decorative hose reels



Lincoln's plastic decorative overhead hose reel cabinets are constructed of a light-weight, durable resin. This design offers dramatically reduced installation time and ease of maintenance. The modular design eliminates reel enclosure end panels. Plastic decorative cabinet models are dent and scratch resistant, non-conductive and non-corrosive.

Model 85641 universal mounting kit

Universal mounting kit allows installation of up to twelve reels, any series, open or decorative. Twelve reels can be installed side by side with this kit or cut to fit your reel installation needs. Includes two mounting struts and hardware to mount 12 reels.

Plastic decorative reel cabinet

| Reel type | Cabinets (1 per reel) | Required mounting components | |
|-----------|--------------------------|--|------------------------------|
| | | Adapter plate kit (1 per reel bank) | Mounting kit (1-12 reels) |
| LFR | 85640 | 85642 | 85641 |
| 82206 | 85240 | 85242 | 85641 |

Metal decorative reel cabinet

| Reel type | Cabinets (1 per reel) | End panel (1 per pair) | Required mounting components | |
|-----------|--------------------------|---------------------------|--|------------------------------|
| | | | Adapter plate kit (1 per reel bank) | Mounting kit (1-12 reels) |
| LFR | 83872 | 82164 | 85642 | 85641 |
| 82206 | 83872 | 82164 | none needed | 85641 |



Series 3100 heavy-duty, plastic decorative, 30 ft. (9 m)

| Model | Description | Bare reel | Delivery hose | | Connecting hose | Ball stop | Control valve or meter | Swivel | Coupler | Nipple |
|-------------|--|-----------|---------------|----------|-----------------|-----------|------------------------|--------|---------|--------|
| | | | Model | Diameter | | | | | | |
| – | – | – | – | in. | – | – | – | – | – | – |
| 3191 | Grease with control valve and swivel | 82206 | 75360 | 1/4 | 75024 | 85515 | 740 | 81387 | – | – |
| 3189 | Motor oil/antifreeze with electronic meter | 82206 | 73360 | 1/2 | 73024 | 85517 | 982 | – | – | – |
| 3194 | Motor oil/antifreeze with quarts meter | 82206 | 73360 | 1/2 | 73024 | 85517 | 877 | – | – | – |
| 3195 | Gear oil with pints meter | 82206 | 73360 | 1/2 | 73024 | 85517 | 878 | – | – | – |
| 3196 | Gear oil with control valve | 82206 | 73360 | 1/2 | 73024 | 85517 | 780 | – | – | – |
| 3197 | ATF with quarts ATF meter | 82206 | 73360 | 1/2 | 73024 | 85517 | 883 | – | – | – |
| 3193 | Air with air chuck | 82206 | 72360 | 1/4 | 72024 | 85515 | 66951 | – | 815 | 11659 |
| 3192 | Water with bibbcock, 30 ft. (9 m) hose | 82206 | 72360 | 1/4 | 72024 | 85515 | 846 | – | – | – |

Series 3200 heavy-duty, plastic decorative, 50 ft. (15 m)

| Model | Description | Bare reel | Delivery hose | | Connecting hose | Ball stop | Control valve or meter | Swivel | Coupler | Nipple |
|-------------|--|-----------|---------------|----------|-----------------|-----------|------------------------|--------|---------|--------|
| | | | Model | Diameter | | | | | | |
| – | – | – | – | in. | – | – | – | – | – | – |
| 3291 | Grease with control valve and swivel | 82206 | 75600 | 1/4 | 75024 | 85515 | 740 | 81387 | – | – |
| 3289 | Motor oil/antifreeze with electronic meter | 82206 | 73600 | 1/2 | 73024 | 85517 | 982 | – | – | – |
| 3294 | Motor oil/antifreeze with quarts meter | 82206 | 73600 | 1/2 | 73024 | 85517 | 877 | – | – | – |
| 3295 | Gear oil with pints meter | 82206 | 73600 | 1/2 | 73024 | 85517 | 878 | – | – | – |
| 3296 | Gear oil with control valve | 82206 | 73600 | 1/2 | 73024 | 85517 | 780 | – | – | – |
| 3297 | ATF with quarts ATF meter | 82206 | 73600 | 1/2 | 73024 | 85517 | 883 | – | 815 | 11659 |
| 3198 | Air with air chuck | 82206 | 72600 | 1/4 | 72024 | 85515 | 66951 | – | 815 | 11659 |
| 3199 | Air with air chuck | 82206 | 72600A | 3/8 | 72024A | 85516 | 66951 | – | – | – |
| 3190 | Water with bibbcock | 82206 | 72600A | 3/8 | 72024A | 85516 | 846 | – | – | – |



Model 740



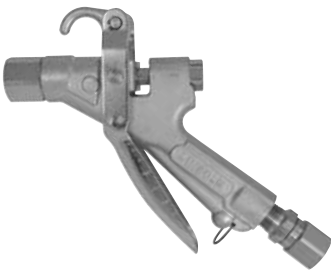
Model 282930



Model 3867



Model 776



Model 82906



Model 877



Model 905



Model 962



Model 982

Control valves, meters and accessories

| | |
|-----------------------------------|-----|
| Control valves | 152 |
| Grease | 152 |
| Fluid lubricants | 154 |
| Dispense meters | 155 |
| Fluid lubricant accessories | 159 |
| Inline and volume meters | 160 |
| Air and water controls | 162 |

Control valves – grease

Model 740



Lincoln control valves, meters and accessories provide the durability and precision you need for your lubrication systems.

Model 740 heavy-duty high-pressure

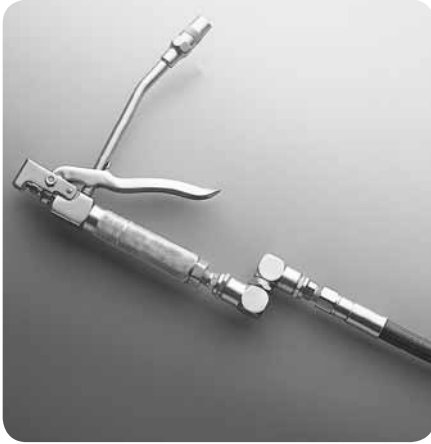
- 7 500 psi (517 bar) maximum operating pressure
- Precision-machined, all steel handle, body and guard bracket provides durability and longevity
- Unique, precision control inlet check valve provides ease of handle operation even with increase in pressure
- Knurled handle for positive grip
- Handy trigger guard prevents pinching
- Reversible inlet check seat and hydraulic jaws provide double life
- Balanced design reduces user fatigue
- Lubricant inlet 1/4 in. NPT (f); outlet 1/8 in. NPT (f)
- Easily repaired for extended life

Model 3050 high-volume high-pressure

Same as 740 except with 3/8 in. NPT (f) lubricant inlet for use with Lincoln volume high-pressure swivels and hose.

Model 82157 repair parts kit

For control valves models 740 and 3050.



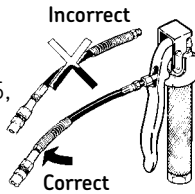
High-pressure grease control valves

| Model | Description | Control valve | Thread size | Extension | Coupler |
|-------|----------------------------|---------------|-------------|------------|---------|
| – | – | – | in. | – | – |
| 740 | Heavy-duty, high-pressure | 82393 | 1/4 NPT (f) | Rigid tube | 5845 |
| 3050 | High-volume, high-pressure | 81495 | 3/8 NPT (f) | Rigid tube | 5845 |

WARNING!

Whip Hoses Models 3029, 3034, 5812, 5818, 5861, 81725, 81726, 81795

Install as shown.



Model 85021 kit

Consists of model 740 control valve and model 81387 universal “z” swivel.

Model 82158 repair kit

Repair parts kit for model 81387 standard universal swivel.

WARNING!

For safe and proper use, always consult instructions accompanying product. See Safety Warning Information for appropriate warnings.

High-pressure swivels

| Model | Description | Thread size |
|---------------|-------------|-----------------------------|
| – | – | in. |
| 81606* | Straight | 1/8 NPT (f) x 1/8 NPT (m) |
| 81703* | Straight | 1/8 NPT (m) x 1/8 NPT (m) |
| 82080 | Straight | 1/2 – 27 (m) x 1/2 – 27 (m) |
| 82399 | Straight | 1/2 – 27 (m) x 1/4 NPT (m) |
| 83938 | Straight | 1/4 NPT (m) x 1/4 NPT (m) |
| 81386 | 90° angle | 1/2 – 27 (m) x 1/8 NPT (m) |
| 81723 | 90° angle | 1/8 NPT (m) x 1/8 NPT (f) |
| 81974 | 90° angle | 1/2 – 27 (m) x 1/4 NPT (m) |
| 82251 | 90° angle | 1/8 NPT (m) x 1/8 NPT (m) |
| 81387 | Universal | 1/2 – 27 (m) x 1/4 NPT (m) |
| 82252 | Universal | 1/8 NPT (m) x 1/8 NPT (m) |
| 83594 | Universal | 1/4 NPT (m) x 1/4 NPT (m) |

* Whip hose only; maximum pressure 4 500 psi (310 bar)

Volume high-pressure swivels

| Model | Description | Thread size |
|--------------|-------------|---------------------------|
| – | – | in. |
| 81728 | Straight | 1/2 NPT (m) x 3/8 NPT (m) |
| 82072 | Straight | 1/2 NPT (m) x 1/2 NPT (m) |
| 82087 | 90° angle | 1/2 NPT (m) x 1/2 NPT (m) |
| 81729 | Universal | 1/2 NPT (m) x 3/8 NPT (m) |
| 82073 | Universal | 1/2 NPT (m) x 1/2 NPT (m) |

Model 82399



Model 81974



Model 81387



5

WARNING!

Material use: Lincoln swivels are to be used only to transport grease, oil and other lubricants and are designed only for these non-abrasive and noncorrosive purposes. Do not use with abrasive and corrosive materials such as sound-deadening materials which may contain limestone and mica particles. Transport of such materials causes rapid premature wear to critical swivel components and can cause failure of swivel. Failure could expose the user to se-

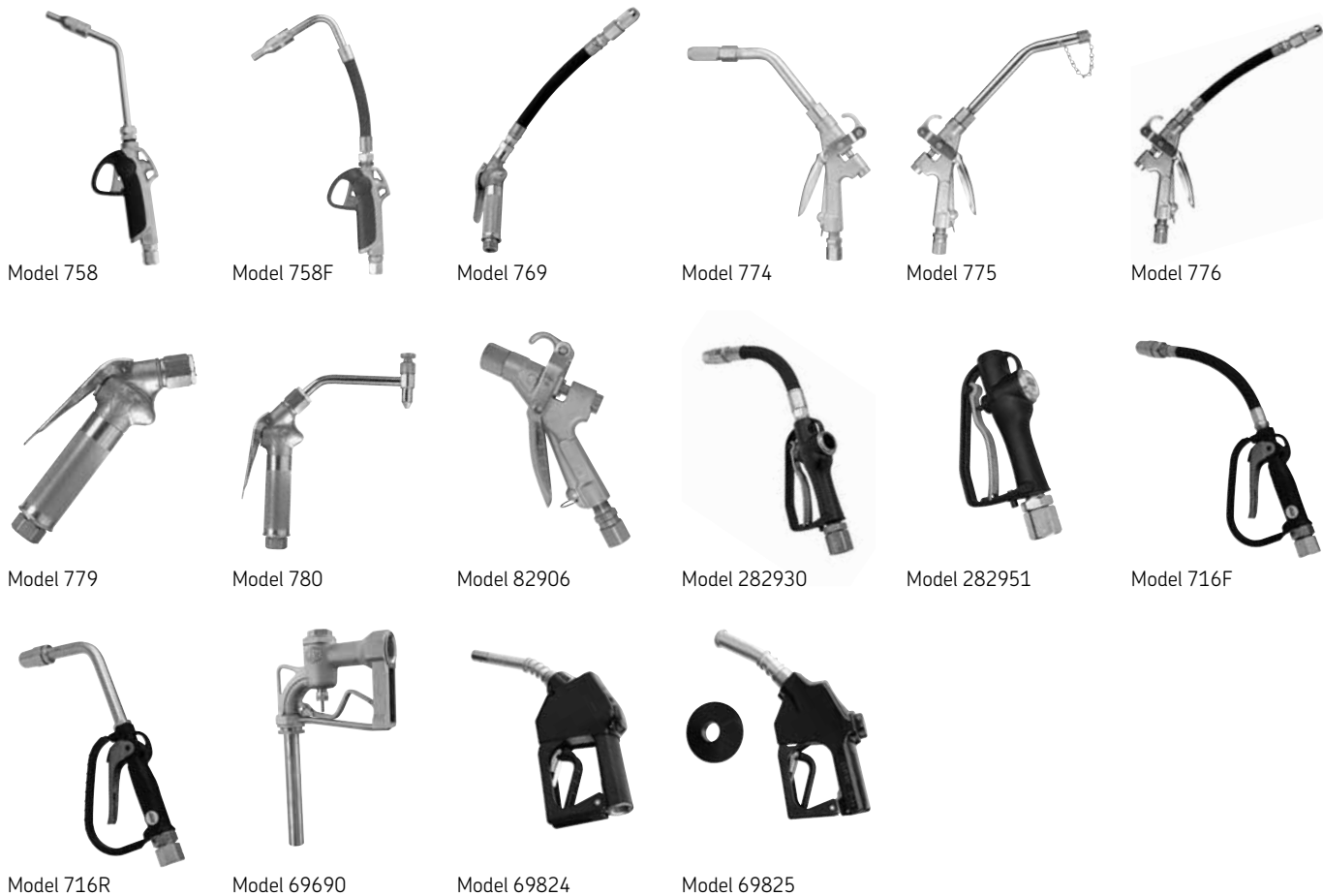
vere bodily injury, permanent disfigurement or death.

Installation and service: Tighten all fluid connections securely before using swivel. Never exceed 7500 psi maximum operating pressure. Never alter or modify any part of the swivel. Never attempt to repair or disassemble the swivel while the system is pressurized. Never stop or deflect leaks with hand or body.

Medical attention: get medical attention immediately if exposed to high pressure

fluids. Tell the attending physician what was injected.

Control valves, meters and accessories – fluid lubricants



Non-metered control valves – fluid lubricants

Compatible fluids – engine oil, diesel oil, ATF and anti-freeze
 Models 69690, 69824 and 69825 compatible fluids – fuel

| Model | Inlet NPT (f) | Outlet NPT (f) | Extension Model | Type | Tip | Maximum pressure | | Free delivery | |
|---------------|------------------|-------------------|--------------------|-----------------------|-----------------------------|---------------------|-----|---------------|------------|
| | | | | | | psi | bar | gal./min. | liter/min. |
| – | in. | in. | – | – | – | psi | bar | gal./min. | liter/min. |
| 758 | 1/2 | 1/2 | 260381 | Rigid pipe | Auto with manual open/close | 1 000 | 69 | 7.5 | 28 |
| 758F | 1/2 | 1/2 | 260380 | Flex hose | Auto with manual open/close | 1 000 | 69 | 7.5 | 28 |
| 769 | 1/2 | 1/2 | 82642 | Flex hose | Manual | 1 000 | 69 | 5 | 19 |
| 774 | 1/2 | 1/2 | 273508 | Rigid pipe | Manual | 1 000 | 69 | 5 | 19 |
| 775 | 1/2 | 1/2 | 82932 | Rigid pipe | Cap | 1 000 | 69 | 5 | 19 |
| 776 | 1/2 | 1/2 | 82642 | Flex hose | Manual | 1 000 | 69 | 5 | 19 |
| 779 | 1/2 | 1/2 | – | – | – | 1 000 | 69 | 5 | 19 |
| 780 | 1/2 | 1/2 | 82070 | Rigid pipe | Manual | 1 000 | 69 | 5 | 19 |
| 82906 | 1/2 | 1/2 | – | – | – | 1 000 | 69 | 5 | 19 |
| 282930 | 3/4 | 3/4 | – | Flex hose | Manual | 1 500 | 103 | 15 | 57 |
| 282951 | 3/4 | 3/4 | – | – | – | 1 500 | 103 | 15 | 57 |
| 716F | 3/4 | 1/2 | 276281 | Flex hose | Auto with manual close | 1 500 | 103 | 12 | 45 |
| 716R | 3/4 | 1/2 | 276283 | Rigid pipe | Auto with manual close | 1 500 | 103 | 12 | 45 |
| 69690 | 1 1/4 | 1 3/4 | – | 9 in. Rigid pipe | – | 50 | 3,4 | – | – |
| 69824 | 3/4 | – | – | 1 3/16 in. O.D. rigid | SST tip | 50 | 3,4 | 17 | 64 |
| 69825 | 1 | – | – | 1 3/16 x 7 in. rigid | – | 50 | 3,4 | 60 | 227 |

Control valves, meters and accessories – dispense meters



Model 905



Model 905SF

Preset dispense meters – digital

Compatible fluids, model 905 – petroleum and synthetic-based oils and antifreeze

Compatible fluids, model 905SF – antifreeze mixture, windshield wiper solution and brake fluid

Graduation on all models – pints, quarts, liters, gallons

| Model | Inlet NPT (f) | Outlet NPT (f) | Extension Model | Type | Tip | Maximum pressure | | Free delivery | |
|--------------|------------------|-------------------|--------------------|------------|-----------------------------|---------------------|-----|---------------|------------|
| | | | | | | psi | bar | gal./min. | liter/min. |
| – | in. | in. | – | – | – | | | | |
| 905 | 1/2 | 1/2 | 272391 | Rigid | Auto with manual open/close | 1 000 | 69 | 5.0 | 19 |
| 905SF | 1/2 | 1/2 | 273862 | Flex, 90 ° | Auto with manual open/close | 1 000 | 69 | 5.0 | 19 |

5



Model 3866



Model 3867



Model 3868



Model 3942

Preset dispense meters – mechanical

Compatible fluids – petroleum and synthetic-based oils and antifreeze

| Model | Inlet NPT (f) | Outlet NPSI | Extension Model | Type | Tip | Maximum pressure | | Free delivery | | Graduation |
|-------------|------------------|----------------|--------------------|-------|-----------------------------|---------------------|-----|---------------|------------|----------------------|
| | | | | | | psi | bar | gal./min. | liter/min. | |
| – | in. | in. | – | – | – | | | | | – |
| 3866 | 1/2 | 1/2 | 93548 | Rigid | Auto with manual open/close | 1 000 | 69 | 4.0 | 15,14 | 16 quarts, 12 liters |
| 3867 | 1/2 | 1/2 | 93548 | Rigid | Auto with manual open/close | 1 000 | 69 | 4.0 | 15,14 | 60 quarts |
| 3868 | 1/2 | 1/2 | 93548 | Rigid | Auto with manual open/close | 1 000 | 69 | 4.0 | 15,14 | 60 gallons |
| 3942 | 1/2 | 1/2 | 93548 | Rigid | Auto with manual open/close | 1 000 | 69 | 4.0 | 15,14 | 60 liters |

Control valves, meters and accessories – dispense meters



Model 967



Model 980



Model 981



Model 982



Model 280690



Model 916EF



Model 916ER

Dispense meters – digital

Compatible fluids – petroleum and synthetic-based oils and antifreeze
 Graduation on all models – pints/quarts/liters/gallons

| Model | Inlet NPT (f) | Outlet NPT (f) | Extension Model | Type | Tip | Maximum pressure | | Free delivery | |
|---------------|------------------|-------------------|--------------------|------------|-----------------------------|------------------|-------|---------------|------------|
| | | | | | | psi | bar | gal./min. | liter/min. |
| – | in. | in. | – | – | – | psi | bar | gal./min. | liter/min. |
| 947 | 1/2 | 1/2 | 85799 | Rigid | Auto | 1 500 | 103,4 | 4.0 | 15,14 |
| 967 | 1/2 | 1/2 | 82258 | Flex | Auto with manual open/close | 1 500 | 103,4 | 4.0 | 15,14 |
| 980 | 1/2 | 1/2 | 282843 | Flex/90 ° | Manual | 1 500 | 103,4 | 10.0 | 37,85 |
| 981 | 1/2 | 1/2 | 282842 | Rigid/30 ° | Auto | 1 500 | 103,4 | 10.0 | 37,85 |
| 982 | 1/2 | 1/2 | 82258 | Flex | Auto with manual open/close | 1 500 | 103,4 | 10.0 | 37,85 |
| 280690 | 3/4 | 1/2 | 276281 | Flexible | Auto with manual close | 1 500 | 103,4 | 15.0 | 56,78 |
| 916EF | 3/4 | 1/2 | 276281 | Flex | Auto with manual close | 1 500 | 103,4 | 12.0 | 45,42 |
| 916ER | 3/4 | 1/2 | 276283 | Rigid | Auto with manual close | 1 500 | 103,4 | 12.0 | 45,42 |

Control valves, meters and accessories – dispense meters



Model 867



Model 876



Model 877



Model 878



Model 881



Model 883



Model 899



Model 68410

Dispense meters – mechanical

Compatible fluids – petroleum and synthetic-based oils and antifreeze.

| Model | Inlet NPT (f) | Outlet NPT (f) | Extension Model | Type | Tip | Maximum pressure | | Free delivery | | Graduation |
|--------------|------------------|-------------------|---------------------------|-----------------------|--------------------------------|---------------------|-----|---------------|------------|------------|
| | | | | | | psi | bar | gal./min. | liter/min. | |
| – | in. | in. | – | – | – | psi | bar | gal./min. | liter/min. | – |
| 867 | 1/2 | 1/2 | 245993 | 10 in. flex -1/4 in. | Auto with manual open/close | 1 000 | 69 | 4.0 | 15,14 | 16 gallons |
| 876 | 1/2 | 1/2 | 261484 242749 (nozzle) | 4 in. rigid - 1/2 in. | Auto with manual open/close | 1 000 | 69 | 4.0 | 15,14 | 16 quarts |
| 877 | 1/2 | 1/2 | 82258 | 10 in. flex -1/4 in. | Auto with manual open/close | 1 000 | 69 | 4.0 | 15,14 | 16 quarts |
| 878 | 1/2 | 1/2 | 273862 | Flex/90 ° | Manual | 1 000 | 69 | 4.0 | 15,14 | 8 pints |
| 881 | 1/2 | 1/2 | 272391 | Flex/90 ° | Manual | 1 000 | 69 | 4.0 | 15,14 | 10 liter |
| 883 | 1/2 | 1/2 | 82415 | 20 in. flex -1/4 in. | Auto with manual open/close | 1 000 | 69 | 4.0 | 15,14 | 16 quarts |
| 899 | 1/2 | 1/2 | 82258 | 10 in. flex -1/4 in. | Auto with manual open/close | 1 000 | 69 | 4.0 | 15,14 | 10 liter |
| 68410 | 1/2 | 1/2 | – | – | – | 1 000 | 69 | 4.0 | 15,14 | 16 quarts |

Control valves, meters and accessories – fluid lubricant accessories



Extensions

| Model | Inlet NPT | Extension Type | Tip |
|---------------|-----------|-------------------------|-----------------------------|
| – | in. | – | – |
| 82070 | 1/2 | Rigid pipe | Manual |
| 82258 | 1/2 | Flex hose | Auto |
| 82642 | 1/2 | Flex hose | Manual |
| 82932 | 1/2 | Rigid pipe | Cap |
| 93548 | 1/2 | Rigid – 1/2 in. | Auto with manual open/close |
| 260380 | 1/2 | Flex hose | Auto with manual open/close |
| 260381 | 1/2 | Rigid pipe | Auto with manual open/close |
| 272391 | 1/2 | Rigid – 1/4 in. | Auto with manual open/close |
| 273508 | 1/2 | Rigid pipe | Manual |
| 273862 | 1/2 | Flex/90 ° | Auto with manual open/close |
| 276280 | 1/2 | Flex hose | Auto |
| 276281 | 1/2 | Flex hose | Auto with manual close |
| 276282 | 1/2 | Rigid pipe | Auto |
| 276283 | 1/2 | Rigid pipe | Auto with manual close |
| 276310 | 1/2 | 90 ° flex extension | Auto |
| 276311 | 1/2 | Special fluid extension | Auto |
| 282842 | 1/2 | Rigid/30 ° | Auto |
| 282843 | 1/2 | Flex/90 ° | Manual |

Control valves, meters and accessories – fluid lubricant accessories



Model 84799



Model 85799



Model 93547



Model 277814



Model 261484



Model 242749



Model 280432



Model 13001

Tips and accessories

| Model | Description | Thread size |
|---------------|---|-------------|
| – | – | in. |
| 84799 | Semi-automatic non-drip nozzle assembly | 1/4 |
| 85799 | Semi-automatic non-drip nozzle assembly with 4 in. (102 mm) rigid extension | 1/2 |
| 93547 | Semi-automatic non-drip nozzle assembly | 1/4 |
| 277814 | Non-drip nozzle assembly | 1/2 |
| 261484 | Automatic non-drip nozzle assembly | 1/2 |
| 242749 | 4 in. (102 mm) pipe extension | 1/2 |
| 280433 | 12 in. (305 mm) flexible delivery hose | 1/2 |
| 280432 | Semi-automatic non-drip nozzle assembly | 1/2 |
| 13001 | 3/4 in. NPTF female to 1/2 in. NPTF male bushing adapter | – |

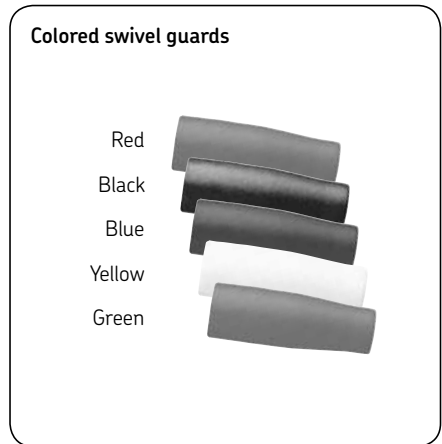
Colored swivel guards

Attach these flexible swivel guards to separate meters to differentiate between fluids. Available in red (model 260374), black (model 260375), blue (model 260376), yellow (model 260377) and green (model 260378).

Meter accessories

Model 90464 swivel

Straight oil meter swivel, 1/2 in. NPT (m) x 1/2 in. NPT (f). Maximum working pressure: 1 000 psi (69 bar).



Control valves, meters and accessories – inline and volume



Model 814



Model 817



Model 870



Model 871



Model 873



Model 961



Model 962



Model 963



Model 964



Model 2873



Model 236595

Inline lube meters

| Model | Description | Total | Maximum pressure | | Flowrate | | Graduation | Compatible fluids |
|---------------|-----------------------------------|--------------|------------------|------|-------------|------------|------------------------|--|
| | | | psi | bar | gal./min. | liter/min. | | |
| – | – | – | | | | | – | – |
| 814 | Digital - quarts, gallons, liters | 99999.9 | 1 000 | 70 | 0.26 to 8 | 1 to 30 | 0.01 | Engine oil, diesel oil, ATF and anti-freeze |
| 817 | Digital - quarts, gallons, liters | 99999.9 | 1 500 | 103 | 0.8 to 21.1 | 3 to 80 | 0.01 | Engine oil, diesel oil, ATF and anti-freeze |
| 870 | Pints totalizer | 8 pint | 1 000 | 70 | 0.4 to 4 | 1.5 to 15 | ¼ pint | Engine oil, diesel oil, ATF and anti-freeze |
| 871 | Quarts totalizer | 4 quart | 1 000 | 70 | 0.4 to 4 | 1.5 to 15 | ¼ quart | Engine oil, diesel oil, ATF and anti-freeze |
| 873 | Liters totalizer | 10 liter | 1 000 | 70 | 0.4 to 4 | 1.5 to 15 | ⅓ ₁₀ liter | Engine oil, diesel oil, ATF and anti-freeze |
| 961 | High volume in gallons | 999.9 gallon | 50 | 3,45 | 6 to 38 | 23 to 144 | ⅓ ₁₀ gallon | Gasoline, diesel fuel, and light weight petroleum products |
| 962 | High volume in gallons | 999.9 gallon | 1 000 | 70 | 4 to 40 | 15 to 151 | ⅓ ₁₀ gallon | Oils and ATFs up to SAE 40 weight |
| 963 | High volume in liter | 999.9 liter | 1 000 | 70 | 4 to 30 | 15 to 115 | ⅓ ₁₀ liter | Oils and ATFs up to SAE 40 weight |
| 964 | High volume in liter | 999.9 liter | 50 | 3,45 | 6 to 38 | 22 to 144 | ⅓ ₁₀ liter | Gasoline, diesel fuel, and light weight petroleum products |
| 2873 | Liters dial | 4 liter | 1 000 | 70 | 0.4 to 4 | 1.5 to 15 | ⅓ ₁₀ liter | Engine oil, diesel oil, ATF and anti-freeze |
| 236595 | Pints dial | 8 pint | 1 000 | 70 | 0.4 to 4 | 1.5 to 15 | ¼ pint | Engine oil, diesel oil, ATF and anti-freeze |

All meter models totalizing, except models 2873, 236594 and 236595

Control valves, meters and accessories – inline and volume



Pulse output meters

85544: Compatible fluids – motor oils (SAE 5-50), gear oils (SAE 80-240), automatic transmission fluid, antifreeze (ethylene glycol)
 85545: Compatible fluids – windshield wiper fluid and engine coolant
 277539: Compatible fluids – DEF
 284194: Compatible fluids – engine oil, diesel oil, automatic transmission fluid (maximum viscosity SAE 140), ethylene glycol based anti-freeze / anti-boil mixture (max. 50% water)
 84458, 84459, 84460: Compatible fluids – engine oil, diesel oil, ATF, and anti-freeze

| Model | Description | Pulse rate | Maximum pressure | | Flowrate | | Port NPT |
|---------------|-----------------------------------|--|------------------|-----|-------------|------------|----------|
| | | | psi | bar | gal./min. | liter/min. | |
| – | – | – | | | | | |
| 85544 | 1/2 in. pulse meter | 95 pulses/quart | 1 500 | 103 | 0.25 to 8 | 0,9 to 30 | 1/2 |
| 85545 | 1/2 in. pulse meter | 95 pulses/quart | 1 500 | 103 | 0.25 to 8 | 0,9 to 30 | 1/2 |
| 277539 | 1/2 in. DEF meter | 95 pulses/quart | 145 | 10 | 0.25 to 8 | 0,9 to 30 | 1/2 BSPP |
| 284194 | 3/4 in. pulse meter | 206.5 pulses/gallon | 1 500 | 103 | 0.8 to 21.1 | 3 to 80 | 3/4 |
| 279147 | 1 in. pulse meter | 136.3 pulses/gallon <i>36 pulses/liter</i> | 2 000 | 138 | 1.6 to 32 | 6 to 120 | 1 |
| 278081 | 1 in. stainless steel pulse meter | 136.3 pulses/gallon | 2 000 | 138 | 1.6 to 32 | 6 to 121 | 1 |
| 277693 | 1 1/2 in. pulse meter | 54.9 pulses/gallon | 800 | 55 | 4 to 62 | 15 to 235 | 1 1/2 |
| 279149 | 1 1/2 in. pulse meter | 54.9 pulses/gallon <i>14,5 pulses/liter</i> | 1 200 | 83 | 2.64 to 66 | 10 to 250 | 1 1/2 |
| 277694 | 2 in. pulse meter | 25.36 pulses/gallon | 800 | 55 | 4 to 130 | 15 to 492 | 2 |
| 279150 | 2 in. pulse meter | 25.3 pulses/gallon <i>6,7 pulses/liter</i> | 1 000 | 70 | 4 to 130 | 15 to 500 | 2 |
| 277695 | 3 in. pulse meter | 9.77 pulses/gallon | 175 | 12 | 5 to 200 | 19 to 757 | 3 |
| 84458 | 1/2 in. quarts meter | 1/10 graduation/quart | 1 000 | 70 | 4.5 | 17 | 1/2 |
| 84459 | 1/2 in. gallon meter | 1/10 graduation/gallon | 1 000 | 70 | 4.5 | 17 | 1/2 |
| 84460 | 1/2 in. liter meter | 1/10 graduation/liter | 1 000 | 70 | 4.5 | 17 | 1/2 |

Air and water controls

Model 840



Blow guns

Model 840

- Handy thumb-button design provides ease of operation
- Brass stem and synthetic packaging for service life
- Addition of air nipple permits quick connect or disconnect
- 1/4 in. NPT (f) inlet; 7/64 in. outlet diameter

Model 950

- Same as model 840, except with air restricter
- Nozzle inlet maximum pressure 30 psi (2,1 bar) complies with Federal Safety Regulation 50-204.8 and OSHA 1910 242.B

Model 960

- Light-weight cast aluminum pistol grip
- 1/4 in. NPT (f) inlet; 7/64 in. outlet diameter; height 5 3/4 in. (146 mm)
- Nozzle inlet maximum pressure 30 psi (2,1 bar) complies with Federal Safety Regulation 50-204.8 and OSHA 1910 242.B

Model 940

- Same as model 960 less air restricter
- When used for large cleaning requirement or chip cleaning, regulated air pressure must not exceed federal recommended maximum

Model 5980

- Thumb control provides comfort and ease of operation
- 1/4 in. NPT (f) inlet; 1/8 in. NPT (f) outlet

Model 5990 rubber tip for blow guns

- Rubber tip will not scratch surfaces
- Fits models 840, 940 and 5980 blow guns, as well as many competitive models
- 1/8 in. NPT (m) threads

Model 960



Model 5980



Model 5990



Air and water accessories

Model 846 water bibbcock

For attaching to water service hose.

- 1/4 in. NPT (f) inlet
- Thumb-action trigger. Built-in strainer filters out contaminants.

Model 845 water bibbcock

Same as model 846 except 3/4 – 11 1/2 in. AN inlet connects to standard lawn hose.

Model 846



Model 815



Air/water accessories

| Model | Description | Style |
|--------------|------------------------|--------------------------------|
| – | in. | – |
| 815 | 1/4 (f) air coupler | Lincoln "long stem" |
| 845 | 3/4 – 11 1/2 AN inlet | Connects to standard lawn hose |
| 846 | 1/4 (f) water bibbcock | Low-pressure water |
| 11659 | 1/4 (m) air nipple | Lincoln "long stem" |
| 66951 | 1/4 (f) tire chuck | Standard tire chuck |

Model 11659



Model 66951





Model 85623



Model 277280

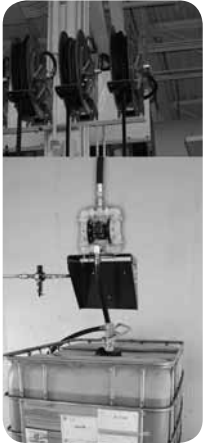


Model 85700-50

Bulk oil, diesel exhaust fluid (DEF) packages

| | |
|--|-----|
| Diesel exhaust fluid (DEF) equipment | 166 |
| Accessories | 167 |

Diesel exhaust fluid (DEF) equipment



Model 85700-50



Lincoln's heavy-duty answer to the EPA's new emission regulations

Power, durability and reliability for stationary, installed and portable service applications in heavy-duty shops

Model 85623



Hose reels

- DEF-specific reels are smaller and easier to operate
- Designed for versatile installation options
- Steel reel with stainless steel fluid paths

Air-operated diaphragm pump

- Environmentally friendly – no motors, seals or packing to leak
- Self-priming

Model 277281



Model 277280



IBC tote

- Electric or air operated
 - Electric (model 277280)
 - Air-operated diaphragm pump with wall mount (custom bill of material per installation requirements)
- 275/330 gallon (1 041/1 249 liter)
- Dispense at tote 1/2 in. x 30 ft. (9,1 m) hose with 1/2 in. BSPP threads
- Pipe to reels

55 gallon (208 liter) drum

- Electric
 - Portable (model 277281)
 - Stationary (model 277280)
- Air operated
 - Stationary - air-operated diaphragm pump (custom BOM per installation requirements)

Model 277281

DEF dispense unit for 55 gallon (208 liter) drum. Includes AC electric pump, mounting plate, dispense hose, nozzle, meter and drum cart. Order suction hose and coupler to match tote style separately.

AC electric pump

Model 272251

- High-wattage motor works harder with less effort.
- 110 VAC or 12 VDC stainless steel rotary vane pump, small compact
- Self priming, continuous duty, 0.5 hp, 3,450 r/min.
- 8 gallon/min. (30 liter/min.) flow rate, maximum pressure 29 psi (2 bar)

Model 272251



Model 277280

DEF dispense unit for IBC tote. Includes AC electric pump, mounting plate, dispense hose, nozzle and meter. Order suction hose and coupler to match tote style separately.

Hose reels

| Model | Description |
|----------|---|
| 85700-30 | 1/2 in. x 30 ft. (9,2 m) DEF hose on reel |
| 85700-50 | 1/2 in. x 50 ft. (15,2 m) DEF hose on reel |
| 277265 | 1/2 in. x 2 ft. (0,6 m) reel inlet hose with 1/2 in. BSPP threads |
| 277266 | 1/2 in. x 30 ft. (9,2 m) hose with 1/2 in. BSPP threads |
| 277267 | 1/2 in. x 50 ft. (15,2 m) hose with 1/2 in. BSPP threads |

Meters and dispense valves

Model 277255 stainless steel automatic nozzle

- 3/4 in. BSPP threads
- 50 psi (3,4 bar) maximum pressure

Model 277256 DEF meter

- 2 to 20 gallon/min. (7 to 75 liter/min.) flow range
- ± 0.5% accuracy
- 3/4 in. female BSPP inlet/outlet
- Maximum pressure 120 psi (8,3 bar)
- LCD display

Model 277538 metered control valve

- 0.26 to 9 gallon/min. (1 to 34 liter/min.) flow range
- ± 0.5% accuracy
- 1/2 in. female BSP threads
- Maximum pressure 145 psi (10 bar)
- Resettable totalizer and non-resettable total on 2 line LCD register

Accessories

- Couplers
 - Disposable drums and totes
 - Returnable drums and totes
 - 3/4 in. BSPP female threads
- Dip tubes
 - Drums
 - 275 gallon (1 041 liter) totes
 - 330 gallon (1 249 liter) totes



Accessories

| Model | Description |
|--------|---|
| 277230 | Coupler, 3/4 in. hose barb for colder-style drum insert |
| 277219 | Coupler, 3/4 in. hose barb for micro-matic drum insert |
| 277232 | Coupler, 3/4 in. male BSPP |
| 277233 | Drum insert, 2 in. (51 mm) buttress thread |
| 277234 | Drum insert, 2 in. (51 mm) NPS (ISO G2) thread, colder style for plastic 55 gallon (208 liter) drums |
| 277235 | Dip tube, 35 1/2 in. (902 mm) long for 55 gallon (208 liter) drums, colder style for 275/330 gallon (1 041/1 249 liter) totes |
| 277236 | Dip tube, 39 in. (991 mm) long for 275 gallon (1 041 liter) IBCs |
| 277237 | Dip tube, 39 in. (991 mm) long for 330 gallon (1 249 liter) IBCs |
| 277238 | Torque socket tool for drum inserts |
| 277239 | Air filter, 1/4 in. NPT (m), 70 micron - recommended for colder-style coupler |
| 277254 | 3/4 in. x 12 ft. (3,7 m) hose with 3/4 in. BSPP threaded fittings |
| 277258 | 3/4 in. x 6 ft. (1,8 m) hard wall suction hose with 3/4 in. BSPP stainless fittings plus hose barb |
| 277633 | 1/2 in. x 5 ft. (1,5 m) hose with 1/2 in. BSPP threads |
| 277635 | 3/4 in. x 6 ft. (1,8 m) suction hose with hose barb |





Model 3601



Model 3650



Model 3662



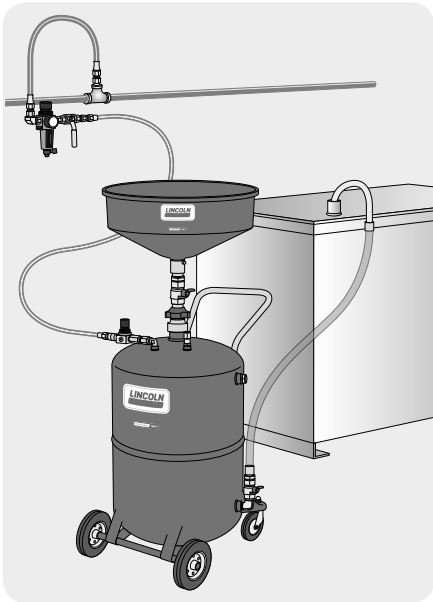
Model 3614



Model 3675

Portable used fluid handling equipment and fuel caddies

| | |
|---|------------|
| Collection equipment – pressurized (self-evacuating) | 170 |
| Upright drains | 170 |
| Collection and transfer equipment – pump-assist | 174 |
| Upright drains | 174 |
| Fluid evacuator | 176 |
| Truck drain | 178 |
| Pit drains | 181 |
| Diaphragm pump evacuation kits | 183 |
| Collection equipment – general | 185 |
| Fluid evacuator | 185 |
| Pedestal drain | 187 |
| Drum drains | 188 |
| Fluid evacuators | 190 |
| Fuel transfer pump | 191 |
| Fuel caddies | 192 |



Used fluid collection equipment – pressurized (self-evacuating)

Pressurized (self-evacuating) used fluid collection equipment is common in many automotive service shops because the reservoirs can be evacuated quickly and cleanly without the need for external pumps or fluid transfer systems. When a reservoir is full, it's typically rolled to a bulk storage access point, where compressed air is used to force the fluid out under pressure. All Lincoln self-evacuating models have a built-in regulator that reduces shopair pressure down to a safe level for evacuation as well as a backup safety valve to prevent over-pressurization.

Model 3635 24 gallon (90 liter) used fluid drain

Model 3635 has a portable upright configuration commonly used for collecting fluids under lift-mounted vehicles. It offers a 15 in. (381 mm) offset funnel that includes a removable filter screen and wide-mouth extension that increases the diameter to 24 in. (610 mm). Height is adjustable from 51 to 76 in. (1,3 to 1,9 m), not including the extension.

Features and accessories include:

- Convenient tool tray for storing tools and drain plugs
- 7 ft. (2,1 m) nylon-reinforced discharge hose with steel J-hook and tethered drip plug
- Tank-mounted clip and handle hook to secure discharge hose
- Safety valve to prevent over-pressurization
- Combination air chuck/pressure relief valve
- Built-in fluid level sight gauge

Model 3635



Upright drains

Upright drains have a portable configuration commonly used for collecting fluids under lift-mounted vehicles. All models feature a height-adjustable collection bowl and large reservoir with capacity for multiple fluid changes. A combination of two ball-bearing swivel casters and two fixed-axle wheels makes them portable and easy to maneuver. Once full, they can be rolled to a bulk storage location, where compressed-shopair is all that's required to evacuate the reservoir.

Features:

- Standard shopair connection fitting
- Preset pressure regulator reduces inlet pressure
- Wire reinforced dispense hose with J-hook nozzle
- Volume level sight tube indicates fluid level in reservoir
- Height-adjustable telescoping bowl
- Safety relief valve prevents over-pressurization
- Screen prevents debris from entering reservoir

Portable used fluid handling equipment – collection equipment, pressurized (self-evacuating)

3639 24 gallon (90 liter) combination used fluid drain and evacuator

Model 3639 combination used fluid drain and evacuator combines the features of the 3635 drain and 3637 evacuator into a single unit, giving operators the choice to collect fluids by gravity from lift-mounted vehicles or using a venturi to extract fluids directly from reservoirs or through a dipstick tube.

Features and accessories include:

- Convenient tool tray for storing tools and drain plugs
- 7 ft. (2,1 m) nylon-reinforced discharge hose with steel J-hook and tethered drip plug
- 6 1/2 ft. (2 m) wire-reinforced evacuation hose with shut-off valve and tethered drip plug
- Venturi vacuum assembly with vacuum level gauge, noise reducing muffler and shut-off valve with Milton M-style quick-connect air fitting
- Mercedes, BMW and VW dipstick tube adapters and six evacuation wands of varying flexibility, diameter and length
- Tank-mounted clip and handle hook to secure discharge and evacuation hoses
- Safety valve to prevent over-pressurization
- Combination air chuck/pressure relief valve
- Built-in fluid level sight gauge

Model 3637 24 gallon (90 liter) fluid evacuator

Model 3637 features a stable tank design with two ball-bearing swivel casters and two fixed-axle wheels. It also includes a tool tray and tank-mounted clip for securing the discharge hose when not in use. Four flexible and two rigid wands are included, as well as dipstick tube adapters for BMW and Volkswagen brand vehicles.

Features

- 7 ft. (2,1 m) nylon-reinforced discharge hose with steel J-hook and tethered drip plug
- 6 1/2 ft. (2 m) wire-reinforced evacuation hose with shut-off valve and tethered drip plug
- Safety valve to prevent over-pressurization
- Combination air chuck/pressure relief valve
- Built-in fluid-level sight gauge

Model 3639



Model 3637



7

Self-evacuating upright drain technical data

| Model | 3635 | 3639 | 3637 |
|--|--|--|--|
| Capacity | 24 gal. (90 liter) | 24 gal. (90 liter) | 24 gal. (90 liter) |
| Bowl diameter | 15 in. (381 mm) | 15 in. (381 mm) | - |
| Bowl configuration | Offset | Offset | - |
| Reservoir material | Steel | Steel | Steel |
| Front wheels (qty. 2) – swivel casters | 4 in. (102 mm) | 4 in. (102 mm) | 4 in. (102 mm) |
| Rear wheels (qty. 2) – fixed-axle | 6 in. (152 mm) | 6 in. (152 mm) | 6 in. (152 mm) |
| Minimum height | 51 in. (1 295 mm) | 51 in. (1 295 mm) | - |
| Maximum height | 76 in. (1 930 mm) | 76 in. (1 930 mm) | - |
| Size | 22 x 22 x 43.3 in. (560 x 560 x 1 100 mm) | 22 x 22 x 43.3 in. (560 x 560 x 1 100 mm) | 18 x 18 x 34 in. (460 x 460 x 890 mm) |

Model 3601



Model 3601 18 gallon (68 liter) used fluid drain

Designed as an affordable option for used fluid collection, model 3601 features all-steel construction and a 14 in. (355,6 mm) diameter funnel. Height is adjustable from 45 to 72 in. (1 143 to 1 829 mm) and the unit maneuvers on two 3 in. (76,2 mm) ball-bearing swivel casters and two 6 in. (152,4 mm) fixed-axle wheels.

Model 3614 20 gallon (75 liter) used fluid drain

Model 3614 features a stable, low-profile tank design and large 18 in. (457,2 mm) offset bowl with metal filter screen. For evacuation, the tank can be pressurized by connecting a standard shopair hose, or by using a simple tire chuck. The height is easily adjustable by loosening and tightening a friction-style lock-ring, and a special telescoping tube design eliminates the need to extend the bowl during evacuation.

Model 3614



Model 3624 26 gallon (98 liter) plastic pressurized used fluid drain

Model 3624 has a large 26 gallon (98 liter) reservoir molded from high-strength polyethylene for lighter weight, reduced corrosion, and lower risk of damage to surrounding vehicles. Large recesses for tool and filter storage are molded into the top and drain directly into the reservoir. The large 18 in. (457,2 mm) offset bowl includes a removable metal filter screen and secondary debris screen.

Model 3624



Self-evacuating upright drain technical data

| Model | 3601 | 3614 | 3624 |
|--|--|--|--|
| Capacity | 18 gal. (68,14 liter) | 20 gal. (75,71 liter) | 26 gal. (98,42 liter) |
| Bowl diameter | 14 in. (355,6 mm) | 18 in. (457,2 mm) | 18 in. (457,2 mm) |
| Bowl configuration | Center mount | Offset | Offset |
| Reservoir material | Steel | Steel | Polyethylene |
| Front wheels (qty. 2) – swivel casters | 3 in. (76,2 mm) | 4 in. (101,6 mm) | 4 in. (101,6 mm) |
| Rear wheels (qty. 2) – fixed-axle | 6 in. (152,4 mm) | 6 in. (152,4 mm) | 40 in. (1 016 mm) |
| Minimum height | 45 in. (1 143 mm) | 45 in. (1 143 mm) | 53 in. (1 346 mm) |
| Maximum height | 72 in. (1 829 mm) | 71 in. (1 803 mm) | 79 in. (2 007 mm) |
| Size | 16 x 18 x 45 in. (406 x 457 x 1 143 mm) | 18 x 28 x 45 in. (457 x 711 x 1 143 mm) | 21 x 24 x 53 in. (533 x 610 x 1 346 mm) |

Optional accessories

| Model | Name | Description | Compatible models |
|--------|------------------------|---|---|
| 3610 | Funnel extension | Extends bowl diameter to 24 1/2 in. (0,62 meter) | 3601, 3614, 3624 613, 3644 |
| 278697 | Air regulator assembly | Replaces air chuck valve to allow connection of shop air using a standard Milton M-style quick-change fitting | 3635, 3639 |
| 3602 | Magnetic tool tray | For use with metal drains to hold tools, small parts and fasteners | 3601, 3614, 3617, 3618, 3650, 3652, 3675, 3677 |

Model 3610



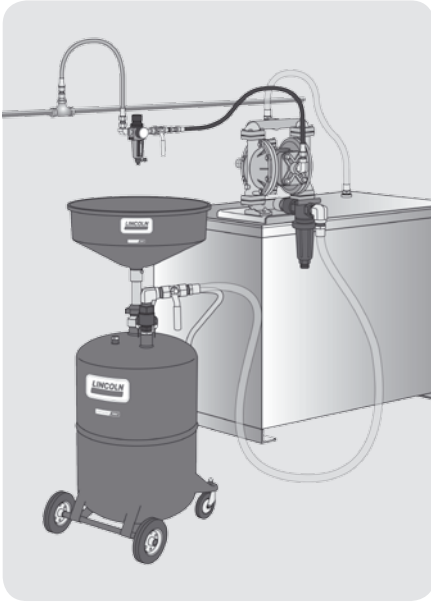
Model 278697



Model 3602



Used fluid collection and transfer equipment – pump-assist



Pump-assisted used fluid collection and transfer systems are ideal for large multi-bay shops and applications or environments where movement is restricted. In these situations, a strategically located diaphragm pump can be used to transfer fluids from the collection equipment to a remote storage location. This type of system reduces the risk of accidental spills and collisions, supports remote location of bulk storage tanks and increases productivity.

Model 3626 26 gallon (98 liter) plastic used fluid drain

Model 3626 has a large 26 gallon (98 liter) reservoir molded from high-strength polyethylene for lighter weight, reduced corrosion, and lower risk of damage to surrounding vehicles. Large recesses for tool and filter storage are molded into the top and drain directly into the reservoir. The large 18 in. (457 mm) offset bowl includes a removable metal filter screen and secondary debris screen.

Upright drains

Portable upright drains are commonly used for collecting fluids under lift-mounted vehicles. All models feature a height-adjustable collection bowl and 20 gallon (75 liter) reservoir. A combination of two ball-bearing swivel casters and two fixed-axle wheels makes them portable and easy to maneuver. Pump-assist models feature a male camlock connector extending from the top of the reservoir for attaching to a diaphragm pump filter screen or other fluid transfer system.

Model 3627 26 gallon (98 liter) plastic coolant drain

Model 3627 offers the same features as model 3626, **except the bowl is painted green for clear visual identification of coolant.**

Model 3618 20 gallon (75 liter) used fluid drain

Model 3618 features a stable, low-profile tank design and large 18 in. (457 mm) offset bowl with metal filter screen. Bowl height is easily adjustable by loosening and tightening a friction-style lock-ring, and a special telescoping tube design eliminates the need to extend the bowl during evacuation.

Model 3617 20 gallon (75 liter) coolant drain

Model 3617 offers the same features as model 3618, **except the reservoir and bowl are painted green for clear visual identification of coolant.**

Model 3626



Features

- 3/4 in. male camlock connection for connecting to fluid transfer system
- Volume-level sight tube
- Height-adjustable bowl
- Screen prevents debris from entering reservoir

Model 3618



Pump-assisted upright drain technical data

| Model | 3617 – coolant (green) 3618 – used oil (red) | 3626 – used oil (black) 3627 – coolant (green) |
|--|---|---|
| Capacity | 20 gal. (75,71 liter) | 26 gal. (98 liter) |
| Bowl diameter | 18 in. (457,2 mm) | 18 in. (457,2 mm) |
| Bowl configuration | Offset | Offset |
| Reservoir material | Steel | Polyethylene |
| Front wheels (qty. 2) – swivel casters | 4 in. (101,6 mm) | 4 in. (101,6 mm) |
| Rear wheels (qty. 2) – fixed-axle | 6 in. (152,4 mm) | 10 in. (254 mm) |
| Minimum height | 42 in. (1,067 meter) | 53 in. (1,346 meter) |
| Maximum height | 68 in. (1,727 meter) | 79 in. (2,007 meter) |
| Size | 18 x 28 x 42 in. (457 x 711 x 1 067 mm) | 26 x 22.4 x 42 in. (660 x 570 x 1 065 mm) |



Model 3610



Model 277208



Model 276411



Model 244391



Model 244390



Model 277090



Model 3602



Model 278802



Model 241408



Model 241409

Optional accessories

| Model | Name | Description | Compatible models |
|--------|---------------------|--|--|
| 3610 | Funnel extension | Extends bowl diameter to 24 1/2 in. (622,3 mm) | 3617, 3618 |
| 277208 | Drain spigot | Allows gravity drain from bottom of tank | 3617, 3618 |
| 276411 | Camlock coupler | 3/4 in. female camlock coupler x 3/4 in. female NPT | 3617, 3618 |
| 244391 | Dry-break fitting | 3/4 in. male dry-break fitting | 3617, 3618 |
| 244390 | Dry-break coupler | 3/4 in. female dry-break coupler | 3650 |
| 277090 | Camlock cap | 3/4 in. camlock cap with chain | 3617, 3618 |
| 3602 | Magnetic tool tray | For use with metal drains to hold tools, small parts and fasteners | 3601, 3614, 3617, 3618, 3650, 3652, 3675, 3677 |
| 278802 | Rotary pump adapter | For use to replace the camlock evacuation connector with a rotary pump for transferring fluid in or out of the reservoir | 3626, 3627 |
| 241408 | Coupler | 1 in. NPT (f) coupler for use in volume transfer and evacuation systems | - |
| 241409 | Nipple | 1 in. NPT (f) nipple for use in volume transfer and evacuation systems | - |

Model 3650



Fluid evacuator

Evacuators utilize a powerful compressed-air operated venturi vacuum for quick evacuation of fluid reservoirs. They are most commonly used to extract oil or transmission fluid directly through the dipstick tube, eliminating the need to lift a vehicle and reducing the risk of spills. Pump-assist models feature a male camlock connector extending from the top of the reservoir for attaching to a diaphragm pump or other fluid transfer system.

Model 3650 20 gallon (75 liter) fluid evacuator

Model 3650 features a stable, low-profile tank design with two ball-bearing swivel casters and two fixed-axle wheels. Three flexible and two rigid wands are included, as well as dipstick tube adapters for BMW, Mercedes and Volkswagen brand vehicles.

Features

- 3/4 in. male camlock connection for connecting to fluid transfer system
- 10 ft. (3 m) long wire-reinforced evacuation hose
- Volume-level sight tube
- Vacuum-level gauge

Fluid evacuator technical data

| | |
|---|---------------------------------------|
| Model | 3650 |
| Capacity | 20 gal. (75,71 liter) |
| Maximum air pressure | 150 psi (10 bar) |
| Minimum air pressure | 90 psi (6 bar) |
| Maximum fluid temperature | 176 °F (80 °C) |
| Reservoir material | Steel |
| Front wheels (qty. 2) – swivel casters | 4 in. (101,6 mm) |
| Rear wheels (qty. 2) – fixed-axle | 6 in. (152,4 mm) |
| Size | 18 x 28 x 36 in. (457 x 711 x 914 mm) |

Portable used fluid handling equipment – collection and transfer equipment, pump-assist



Model 276751



Model 276752



Model 276753



Model 276754



Model 276755



Model 276756



Model 276757



Model 276758

Standard accessories

| Model | Name | Compatible models |
|--------|---|-------------------|
| 276751 | Mercedes oil dipstick tube adapter | 3650 |
| 276752 | BMW oil dipstick tube adapter | 3650 |
| 276753 | Volkswagen oil dipstick tube adapter | 3650 |
| 276754 | 0.20 in. (5 mm) diameter x 31 in. (790 mm) long flexible extraction wand (red) | 3650 |
| 276755 | 0.24 in. (6 mm) diameter x 31 in. (790 mm) long flexible extraction wand (clear) | 3650 |
| 276756 | 0.31 in. (8 mm) diameter x 31 in. (790 mm) long flexible extraction wand (yellow) | 3650 |
| 276757 | 0.20 in. (5 mm) diameter x 31 in. (790 mm) long rigid extraction wand | 3650 |
| 276758 | 0.24 in. (6 mm) diameter x 31 in. (790 mm) long rigid extraction wand | 3650 |
| 278363 | 0.20 in. (5 mm) diameter x 28 in. (700 mm) long, rigid extraction wand | 3637, 3639 |
| 278364 | 0.23 in. (6 mm) diameter x 28 in. (700 mm) long, rigid extraction wand | 3637, 3639 |
| 278365 | 0.20 in. (5 mm) diameter x 28 in. (700 mm) long, flexible extraction wand | 3637, 3639 |
| 278366 | 0.23 in. (6 mm) diameter x 28 in. (700 mm) long, flexible extraction wand | 3637, 3639 |
| 278367 | 0.31 in. (8 mm) diameter x 28 in. (700 mm) long, flexible extraction wand | 3637, 3639 |
| 278368 | 0.28 in. (7 mm) diameter x 39 in. (1 000 mm) long, flexible extraction wand | 3637, 3639 |
| 278369 | BMW adapter | 3637, 3639 |
| 278370 | VW adapter | 3637, 3639 |

7



Model 277208



Model 276411



Model 244391



Model 244390



Model 278697



Model 3602

Optional accessories

| Model | Name | Description | Compatible models |
|--------|------------------------|---|--|
| 277208 | Drain spigot | Allows gravity drain from bottom of tank | 3650 |
| 276411 | Camlock coupler | 3/4 in. female camlock coupler x 3/4 in. female NPT | 3650 |
| 244391 | Dry-break fitting | 3/4 in. male dry-break fitting | 3650 |
| 244390 | Dry-break coupler | 3/4 in. female dry-break coupler | 3650 |
| 278697 | Air regulator assembly | Replaces air chuck valve to allow connection of shop air using a standard Milton M-style quick-change fitting | 3635, 3639 |
| 3602 | Magnetic tool tray | For use with metal drains to hold tools, small parts and fasteners | 3601, 3614, 3617, 3618, 3650, 3652, 3675, 3677 |

Model 3665



Low-profile truck drains

Low-profile truck drains offer a low-profile design that can be easily positioned under high-clearance vehicles for capturing used fluids including motor oil, coolant and transmission fluid.

Features

- Low-profile design – only 7 3/4 in. (197 mm) tall
- Large 20 x 29 in. (510 x 735 mm) recessed area for capturing fluid
- Removable metal screen keeps out parts and debris
- Recessed pockets at each corner provide storage for drain plugs and filters.

Model 3667



Model 3665 17 gallon (65 liter) truck drain

Features a 6 ft. (1,8 m) long discharge hose with a 3/4 in. camlock style connector and cap. The hose extends from the bottom of the reservoir and can be connected to diaphragm pump or other fluid transfer system to evacuate fluid from the reservoir.

Model 3669



Model 3667 17 gallon (65 liter) truck drain

Features a rotary hand pump mounted horizontally to the front of the reservoir and a 6 ft. (1,8 m) long discharge hose with a steel J-hook installed at the outlet. Fluid is discharged from the reservoir by manually operating the pump.

Model 3669 17 gallon (65 liter) truck drain

Features a durable 120 V electric pump installed below the front of the reservoir. The pump operates when plugged into a standard power outlet and discharges fluid through a 6 ft. (1,8 m) hose with steel J-hook.

Truck drain technical data

| Model | 3665 | 3667 | 3669 |
|----------------------------|---|---|---|
| Capacity | 17 gal. (65 liter) | 17 gal. (65 liter) | 17 gal. (65 liter) |
| Overall height | 7.75 in. (195 mm) | 7.75 in. (195 mm) | 7.75 in. (195 mm) |
| Reservoir material | Polypropylene | Polypropylene | Polypropylene |
| Wheels (qty. 4) – pivoting | 4 in. (100 mm) | 4 in. (100 mm) | 4 in. (100 mm) |
| Size (handle not included) | 44 x 28 x 7.5 in. (1 120 x 710 x 190 mm) | 60 x 28 x 7.5 in. (1 525 x 710 x 190 mm) | 60 x 28 x 7.5 in. (1 525 x 710 x 190 mm) |
| Pump output | – | 1 gal. (3,8 liter)/15 revolutions | 1 gal. (3,8 liter)/minute (10W-30 at room temperature) 2.6 gal. (9,8 liter)/minute (antifreeze) |

Truck drain

Truck drains feature a low-profile design for collecting used fluids under RVs, trucks and other off-road equipment, without the need for a lift or jack. A long T-handle extending from the front of the reservoir allows the user to conveniently maneuver the drain into position. Once full, the reservoir can be emptied by gravity or with the use of an external pump.

Features

- Low profile design – only 8 1/2 in. (216 mm) tall
- Internal baffles and 2 in. (50,8 mm) wide lip reduces splash
- Removable metal screen keeps out parts and debris
- Dual female 3/4 in. NPT drain ports

Model 84714 20 gallon (75 liter) truck drain

Model 84714 features heavy-duty welded steel construction and a unique three-wheel design that allows the operator to steer the drain into position. A front port located at the bottom of the reservoir allows fluid to drain by gravity, while a second port located on the back is designed for evacuation using an external pump. Two internal baffles and a 2 in. (50,8 mm) wide lip around the top of the reservoir reduces splash during draining and movement.



Truck drain technical data

| | |
|--|--|
| Model | 84714 |
| Capacity | 20 gal. (75,71 liter) |
| Overall height | 8.5 in. (216 mm) |
| Ground clearance | 3/4 in. (19 mm) |
| Reservoir material | Steel |
| Front wheels (qty. 1) – pivoting | 4 in. (101,6 mm) |
| Rear wheels (qty. 2) – fixed axle | 6 in. (152,4 mm) |
| Drain ports | 3/4 in. female NPT |
| Size (handle not included) | 36 x 23.5 x 8.5 in. (914 x 597 x 216 mm) |

Portable used fluid handling equipment – collection and transfer equipment, pump-assist



Model 4105



Model 277208



Model 276411



Model 277645



Model 277090



Model 244391



Model 244390

Optional accessories

| Model | Name | Description | Compatible models |
|--------|-------------------|---|-------------------|
| 4105 | Evacuation kit | 3/4 in. camlock kit for pump-assist evacuation through lower port | 84714, 276411 |
| 277208 | Drain spigot | Allows gravity drain through lower port | 84714 |
| 276411 | Camlock coupler | 3/4 in. female camlock coupler x 3/4 in. female NPT | 277645 |
| 277645 | Camlock fitting | 3/4 in. male camlock fitting x 3/4 in. male NPT | 84714, 276411 |
| 277090 | Camlock cap | 3/4 in. camlock cap with chain | 277645, 4105 |
| 244391 | Dry-break fitting | 3/4 in. male dry-break fitting | 84714 |
| 244390 | Dry-break coupler | 3/4 in. female dry-break coupler | 244391 |

Pit drains

Pit drains are designed for track-mounting in service pits or drive over applications.

Two wheels extend from each side of the reservoir on axles that can be adjusted to fit varying track widths. Reservoirs have two opposing 3/4 in. NPT ports for connecting to an external evacuation pump and/or for connecting multiple drains in tandem. All models feature heavy-duty steel construction with internal baffles to reduce splash and a removable steel debris screen.

Features

- Four wheel and axle assemblies extend and lock to fit varying track widths
- Internal baffles reduce splash during movement
- Removable steel screen keeps out parts and debris
- Shutoff valve and 3/4 in. male camlock connector with dust cap included

Model 3662 13 gallon (50 liter) pit drain

Features a compact, low-profile design for applications with restricted clearance. Reservoir is made from drawn steel with rounded corners. A handle is welded to each end for improved maneuverability.

Model 84700 30 gallon (115 liter) pit drain

Large capacity welded steel reservoir glides smoothly on 4 in. (101,6 mm) diameter polyurethane wheels. Includes model 92572 removable splash shield to focus oil stream into reservoir.



Pit drain technical data

| Model | 3662 | 84700 |
|--------------------|---|---|
| Capacity | 13 gal. (49,2 liter) | 30 gal. (113,6 liter) |
| Overall height | 8 in. (203 mm) | 9.3 in. (236 mm) |
| Track width | 28 to 50 in. (711 to 1 270 mm) | 36 to 49.5 in. (914 to 1 257 mm) |
| Reservoir material | Steel | Steel |
| Wheel quantity | 4 | 4 |
| Wheel diameter | 2 in. (50,8 mm) | 4 in. (101,6 mm) |
| Drain ports | 3/4 in. male NPT | 3/4 in. male NPT |
| Size | 32.3 x 24.5 x 8 in. (820 x 622 x 203 mm) | 36 x 28 x 9.3 in. (914 x 711 x 236 mm) |

Portable used fluid handling equipment – collection and transfer equipment, pump-assist



Model 276411



Model 244391



Model 244390

Optional accessories

| Model | Name | Description | Compatible models |
|--------|-------------------|---|-------------------|
| 276411 | Camlock coupler | 3/4 in. female camlock coupler x 3/4 in. female NPT | 277645 |
| 244391 | Dry-break fitting | 3/4 in. male dry-break fitting | 3662, 84700 |
| 244390 | Dry-break coupler | 3/4 in. female dry-break coupler | 244391 |

Diaphragm pump evacuation kits

Diaphragm pump kits provide a clean, safe method for evacuating used fluids from collection equipment such as portable drains and evacuators, and pumping it through an enclosed system to a remote storage tank.

Any type of used fluid equipment fitted with a 3/4 in. camlock coupler can be easily connected to the pump and evacuated. Kits include an air-operated double-diaphragm pump with wall-mount bracket, as well as all recommended air supply, fluid extraction and fluid discharge fittings, components and accessories.

Features

- Premium air-operated double-diaphragm pump for long maintenance free operation
- Large inlet T-strainer prevents debris from entering the pump
- Designed for use with all Lincoln pump-assist fluid collection equipment
- For diaphragm pump specifications (→ page 98).

Model 4100 1 in. UL-listed diaphragm pump evacuation kit

Features 1 in. UL-listed aluminum double-diaphragm pump (model 85634), recommended for transferring flammable liquids including used oil, ATF fluid, diesel and kerosene.

Model 4102 1 in. non-UL diaphragm pump evacuation kit

Features 1 in. non-UL aluminum double-diaphragm pump (model 85627), recommended for transferring non-flammable liquids including transmission fluid, coolant, and washer fluid.

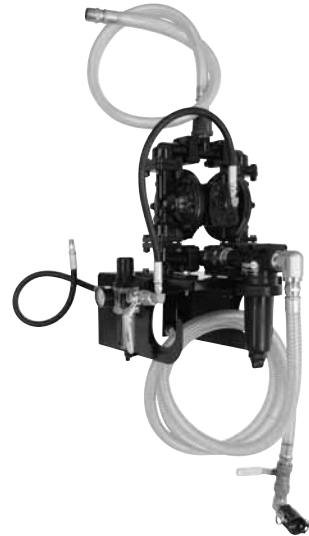
Model 4104 1/2 in. non-UL diaphragm pump evacuation kit

Features 1/2 in. non-UL aluminum double-diaphragm pump (model 85631), for transferring non-flammable liquids including transmission fluid, coolant, and washer fluid.

Model 4100



Model 4104



Diaphragm pump evacuation kit technical data

| Model | 4100 | 4102 | 4104 |
|--------------------------------------|--|------------------------|------------------------|
| Pump Model | 85634 | 85627 | 85631 |
| Description | 1 in. (25,4 mm) | 1 in. (25,4 mm) | 1/2 in. (12,7 mm) |
| Body material | Aluminum | Aluminum | Aluminum |
| Wetted or soft parts | Buna-N | Buna-N | Buna-N |
| Max. recommended air pressure | 50 psi (3,4 bar) flammable liquids 125 psi (8,6 bar) others | 125 psi (8,6 bar) | 100 psi (6,9 bar) |
| Suction connector | 3/4 in. female camlock | 3/4 in. female camlock | 3/4 in. female camlock |
| Discharge outlet | 3/4 in. male NPT | 3/4 in. male NPT | 3/4 in. male NPT |
| Air inlet size | 3/8 in. male NPT | 3/8 in. male NPT | 1/4 in. male NPT |

Portable used fluid handling equipment – collection and transfer equipment, pump-assist



Model 276291



Model 277645



Model 277090



Model 273607



Model 274879



Model 4105



Model 84816



Model 84815



Model 84824



Model 4110



Model 85257

Optional accessories

| Model | Name | Description | Compatible models |
|---------------|-------------------------|---|----------------------|
| 276291 | Camlock fitting | 3/4 in. male camlock fitting x 3/4 in. female NPT | 4100, 4102, 4104 |
| 277645 | Camlock fitting | 3/4 in. male camlock fitting x 3/4 in. male NPT | 4100, 4102, 4104 |
| 277090 | Camlock cap | 3/4 in. camlock cap with chain | 276291, 277645, 4105 |
| 273607 | Ball valve | 3/4 x 3/4 in. ball valve for backflow prevention | 4100, 4102, 4104 |
| 274879 | Check valve | 3/4 x 3/4 in. check valve for backflow prevention | 4100, 4102, 4104 |
| 4105 | Evacuation kit | 3/4 in. camlock drain conversion kit | 4100, 4102, 4104 |
| 84816 | 4-way valve | Four port, two-position valve enables one pump to evacuate and dispense fluid from a single tank. Ports are 1 in. NPT. | 4100, 4102, 4104 |
| 84815 | Overfill warning valve | For single-wall tanks and drums. Sounds whistle and shuts off air-supply when fluid rises above preset level. Requires connection to compressed air. 1/4 in. NPT air inlet and outlet ports. | 4100, 4102, 4104 |
| 84824 | Overfill warning valve | For double-wall tanks. Sounds whistle and shuts off air-supply when fluid rises above preset level. Requires connection to compressed air. 1/4 in. NPT air inlet and outlet ports. | 4100, 4102, 4104 |
| 4110 | Dipstick evacuation kit | Enables diaphragm pump to be used for fluid evacuation from reservoirs or through dipstick tube. Includes 10 ft. (3 m) suction hose, five evacuation wands and wand holder. For wand specifications (→ page 169). | 4100, 4102, 4104 |
| 85257 | Wall-mount bracket | For use with 1/4, 1/2 and 1 in. diaphragm pumps (included with models 4100, 4102 and 4104). | 4100, 4102, 4104 |

Used fluid collection equipment – general

Model 3652 6 gallon (22 liter) fluid evacuator

Combines a compact, portable tank design with a powerful compressed-air operated venturi vacuum for quick, clean, and convenient extraction of engine oil or transmission fluid through the dipstick tube, or for other general fluid extraction needs. Three flexible and two rigid wands are included, as well as dipstick tube adapters for BMW, Mercedes, and Volkswagen brand vehicles. Tank is emptied by removing a wide-mouth cap and tilting to pour.

Features

- Portable 6 gallon (22 liter) capacity heavy-duty welded steel tank
- 10 ft. (3 m) long wire-reinforced evacuation hose
- Rolls smoothly on two 5 in. (13 cm) fixed axle wheels with rubber treads
- Easy-to-read volume level sight tube
- Vacuum level gauge

Model 3652



Model 3652 technical data

| | |
|-------------------------------------|---|
| Model | 3652 |
| Capacity | 6 gal. (22 liter) |
| Maximum air pressure | 150 psi (10 bar) |
| Minimum air pressure | 90 psi (6 bar) |
| Maximum fluid temperature | 176 °F (80 °C) |
| Reservoir material | Steel |
| Wheels (qty. 2) – fixed-axle | 5 in. (127 mm) |
| Size | 14 x 14 x 29.8 in. (356 x 356 x 757 mm) |

Portable used fluid handling equipment – collection equipment, general



Model 276751



Model 276752



Model 276753



Model 276754



Model 276755



Model 276756



Model 276757



Model 276758

Standard accessories for model 3652

| Model | Name |
|--------|---|
| 276751 | Mercedes oil dipstick tube adapter |
| 276752 | BMW oil dipstick tube adapter |
| 276753 | Volkswagen oil dipstick tube adapter |
| 276754 | 0.20 in. (5 mm) diameter x 31 in. (790 mm) long flexible extraction wand (red) |
| 276755 | 0.24 in. (6 mm) diameter x 31 in. (790 mm) long flexible extraction wand (clear) |
| 276756 | 0.31 in. (8 mm) diameter x 31 in. (790 mm) long flexible extraction wand (yellow) |
| 276757 | 0.20 in. (5 mm) diameter x 31 in. (790 mm) long rigid extraction wand |
| 276758 | 0.24 in. (6 mm) diameter x 31 in. (790 mm) long rigid extraction wand |



Optional accessories

| Model | Name | Description | Compatible models |
|-------|--------------------|--|--|
| 3602 | Magnetic tool tray | For use with metal drains to hold tools, small parts and fasteners | 3601, 3614, 3617, 3618, 3635, 3637, 3639, 3650 |

Model 3605 4.5 gallon (17 liter) pedestal drain

The combined light weight and slim size of model 3605 make it easy to position and maneuver under lift-mounted vehicles, and convenient to store in shops with limited space. The 13 in. (330,2 mm) diameter, 4 1/2 gallon (17 liter) capacity bowl has a hinged cover that extends to catch streaming oil. When full, the bowl is lifted off the stand and placed onto a specially designed adapter that opens a spring-actuated valve, allowing fluid to drain into a drum or storage tank. The stand has a quick-release latch that automatically locks at the desired height.

Features

- Hinged lid opens to catch oil stream
- Self-locking, quick-release height adjustment latch
- Spring-actuated drain valve
- Includes automatic drain adapter for containers with 2 in. bung opening



7

Pedestal drain technical data

| | |
|---------------------------|-----------------------|
| Model | 3605 |
| Capacity | 4 1/2 gal. (17 liter) |
| Bowl diameter | 13 1/2 in. (343 mm) |
| Bowl configuration | Center mount |
| Reservoir material | Steel |
| Minimum height | 46 in. (1 168 mm) |
| Maximum height | 76 in. (1 930 mm) |
| Base diameter | 18 in. (457 mm) |

Standard accessories

| Model | Name | Description |
|-------|---------------|--|
| 82460 | Drain adapter | Opens spring-actuated valve to allow fluid to drain from bowl. Fits containers with 2 in. bung openings. |
| 83386 | Bowl assembly | 13 in. (343 mm) diameter, 4 1/2 gallon (17 liter) bowl with hinged lid and spring-actuated drain valve |





Drum drains

Drum drains utilize a standard 16 gallon/120 lb. (60 liter/54 kg) steel drum as a fluid reservoir. They have a portable upright configuration commonly used for collecting fluids under lift-mounted vehicles. All models include a collection bowl, lid assembly with fluid level gauge and height-adjustable tube, and 17 in. (432 mm) square base with four 2 1/2 in. (63,5 mm) ball-bearing swivel casters. Drains can be emptied using a gravity spigot (included with model 613DK) or pump-assist evacuation kit 247748 (sold separately).

Model 613 16 gallon (60 liter) drum drain

Same as 613DK except without drum. User must supply standard 16 gallon/120 lb. (60 liter/54 kg) drum and drain spigot.

Model 3644 16 gallon (60 liter) drum drain

Same as model 613 except with 20 in. (508 mm) diameter steel drain bowl. User must supply standard 16 gallon/120 lb. (60 liter/54 kg) drum and drain spigot.



Features

- Simple yet durable heavy-duty steel construction
- Volume level indicator
- Height-adjustable from 42 to 68 in. (1 067 to 1 727 mm)
- Models available with and without drum

Model 613DK 16 gallon (60 liter) drum drain

Complete drum drain kit including 16 gallon/120 lb. (60 liter/54 kg) steel drum, 14 in. (355,6 mm) diameter drain bowl, and gravity spigot.

| Drum drain technical data | | | |
|---------------------------------|---|---|---|
| Model | 613DK | 613 | 3644 |
| Capacity | 16 gal. (60 liter) | 16 gal. (60 liter) | 16 gal. (60 liter) |
| Bowl diameter | 14 in. (355,6 mm) | 14 in. (355,6 mm) | 20 in. (508 mm) |
| Drum included | Yes | No | No |
| Wheels (qty. 4) – swivel caster | 4 in. (101,6 mm) | 4 in. (101,6 mm) | 4 in. (101,6 mm) |
| Minimum height | 42 in. (1 067 meter) | 42 in. (1 067 meter) | 42 in. (1 067 meter) |
| Maximum height | 68 in. (1 727 mm) | 68 in. (1 727 mm) | 68 in. (1 727 mm) |
| Size | 17 x 17 x 42 in. (432 x 432 x 1 067 mm) | 17 x 17 x 42 in. (432 x 432 x 1 067 mm) | 17 x 17 x 42 in. (432 x 432 x 1 067 mm) |

Portable used fluid handling equipment – collection equipment, general



Model 91197



Model 82786



Model 3608



Model 66493



Model 70526



Model 247748

Optional accessories

| Model | Name | Description | Compatible models |
|--------|---|---|-------------------|
| 91197 | 14 in. (356 mm) diameter bowl | Standard on models 613 and 613DK; optional on model 3644 | 613, 613DK, 3644 |
| 82786 | 14 in. (356 mm) diameter bowl with lid | Includes hinged lid with latch | 613, 613DK, 3644 |
| 3608 | 20 in. (508 mm) diameter bowl | Standard on model 3644; optional on models 613 and 613DK | 613, 613DK, 3644 |
| 66493 | 16 gallon/120 lb. (60 liter/54 kg) drum | Steel drum with 1 in. NPT port for drain spigot. Standard on model 613DK; optional on models 613 and 3644 | 613, 613DK, 3644 |
| 70526 | Drain spigot | Gravity drain spigot with 1 in. male NPT. Standard on model 613DK; optional on models 613 and 3644 | 613, 613DK, 3644 |
| 247748 | Diaphragm pump evacuation kit | Includes fluid pick-up tube and 3/4 in. male camlock fitting for connection to diaphragm pump or other fluid transfer system. Installs to lid so that fitting extends straight up | 613, 613DK, 3644 |

Model 615 suction gun

Holds up to 18 oz. (532 cm³) of fluid. Flexible nozzle for transmission, differential or oil filter service. Precision follower fitted to barrel for superior suction and is impervious to oil, grease and water. Finished in rust-resistant, powder coated blue paint.

Model G150 suction gun

17 oz. (503 cm³) capacity with 12 in. (304,8 mm) flex hose. Perfect for draining and filling differentials, clutches, power steering reservoirs and transmissions. Needs no priming. Features heavy-duty steel barrel, electro-static, corrosion-resistant finish and non-slip knurling.



Model MV7400



Model MV7201



Fluid evacuator features

- Convenient manual or compressed air pump operation
- Integrated reservoir
- Large base with foot stabilizer
- Durable, chemical-resistant polyethylene construction
- Automatic overflow prevention
- Quick-drain pour spout

Model MV7400 fluid evacuator

Vacuum is created quickly and efficiently by manual pump operation, offering superior mobility by eliminating the need for electricity or compressed air. The MV7400 is ideal for draining fluids from reservoirs on boats, RVs, ATVs, snowmobiles, farm equipment or motorcycles. Includes accessories for draining engine oil or transmission fluid directly through the dipstick tubes.

Model MV7201 fluid evacuator plus

At the push of a button, this versatile unit changes from vacuum to pressure for evacuating or dispensing fluids. This functionality makes it ideal for draining tanks or reservoirs then pumping the used fluid back out for easy disposal. Multiple units work great – simply evacuate used fluids with one unit and then quickly refill with new fluid from a second. For superior mobility, the MV7201 utilizes a manual pump, so compressed air or electricity is not required. Accessories are included for draining engine oil or transmission fluid directly through the dipstick tubes.

Model MV7300 PneumatiVac

Operates on compressed air to create a powerful venturi vacuum for draining fluids from tanks and reservoirs. Compressed air hose attaches at base for stability. Includes accessories for draining engine oil or transmission fluid directly through the dipstick tubes. Also includes brake/clutch bleeding kit (model MVA7205) for vacuum bleeding hydraulic brake and clutch systems.

Model MV7300



Fluid evacuator technical data

| Model | MV7400 | MV7201 | MV7300 |
|-------------------------------|--|---|---|
| Reservoir capacity | 1.9 gal. (7.3 liter) | 2.3 gal. (8.8 liter) | 2.3 gal. (8.8 liter) |
| Maximum operating temperature | 175 °F (80 °C) | 175 °F (80 °C) | 175 °F (80 °C) |
| Packaged weight | 7.5 lbs. (3.4 kg) | 10.0 lbs. (4.5 kg) | 7.5 lbs. (3.4 kg) |
| Compressed air inlet size | – | – | 1/4 in. NPT |
| Size (height x width x depth) | 25 x 7.5 in. (height x diameter) (635 x 190 mm [height x diameter]) | 24 x 12.4 x 9.3 in. (610 x 315 x 235 mm) | 24 x 12.4 x 9.3 in. (610 x 315 x 235 mm) |

Fuel transfer pump

Lincoln's model 1550 fuel transfer pump quickly delivers diesel, kerosene or mineral spirits from both mobile and stationary tanks. Its durable cast-iron housing, long-life, low-friction vanes, special seal design, UL-listed motor and stainless steel outlet adapter provide reliability in even the harshest environments.

The pump's unique, three-piece, telescoping pick-up tube is suitable for a wide range of tank depths and designs, and its 360-degree, locking bung enables the operator to properly position the pump.

Model 1550 fuel transfer pump

- Self-priming, cast-iron pump
- Insulated, weatherproof design
- Stainless steel 90-degree hose adapter
- 1 in. (25,4 mm) pump inlet and outlet offer high flow rate
- 360-degree, locking bung for proper positioning
- Three-piece telescoping pick-up tube for varying tank depths
- Pre-wired, heavy-gauge, 18 ft. (5,5 m) cable for operator convenience
- 13 ft. (4 m), commercial-grade, kink-resistant, anti-static hose
- Long-life, low-friction polymer vanes provide extended service intervals



Fuel transfer pump technical data

| | |
|--------------------------|---|
| Model | 1550 |
| Voltage | 12 V DC |
| Flow rate | 15 gal./min. (57 l/min.) |
| Pump inlet/outlet | 1 in. (25,4 mm) NPT |
| Hose connection | 3/4 in. (19 mm) NPT |
| Power cord length | 18 ft. (5,5 m) with heavy-duty connectors |
| Duty cycle | 30 min. |
| Locking bung | Yes |
| Hose | 13 ft. x 3/4 in. ID (4 m x 19 mm ID) |
| UL-listed motor | Yes |
| Inlet filter | Yes |
| Outlet adapter | Stainless steel |

Model 3675



Fuel caddies

Fuel caddies are designed for the safe transfer and storage of fuel before, during and after repairs requiring the removal of a vehicle's fuel tank. They feature a portable yet stable, upright configuration and robust steel construction. Fuel is transferred using a bi-directional manual rotary pump installed on a leak-tested 25 gallon (95 liter) welded-steel reservoir. A 7 ft. (2.1 m) long wire-reinforced hose extending from the caddy can be snaked down the filler neck or through an alternative opening in the fuel tank. Additional features include an internal volume-level sight gauge, fire-screened vent cap, anti-spark aluminum skid pads, two 8 in. (203 mm) diameter rubber wheels, manual pour-in filler neck and safety ground wire.

Fuel is extracted or dispensed by turning the pump handle in forward or reverse directions.

Model 3675 25 gallon (95 liter) fuel caddy

Designed for safety and convenience, tanks are 100% leak tested, while special components keep the unit grounded to reduce the risk of spark and fire. A fire-screened vent cap prevents pressurization.

Model 3677 25 gallon (95 liter) fuel caddy with 2-way filter

Same as model 3675, but includes 2-way filter system to prevent fuel recontamination. The filter system (model 3612) installs under the handle and uses check valves to direct the flow of fuel in and out of the tank through two independent spin-on style filters. Filters are replaceable, standard 3/4 in. spin-on canister style.

Model 3677



Features

- Premium 2-way rotary pump dispenses fuel at a rate of 1 gallon (4 liters) per 12 revolutions
- Specially designed for use with unleaded gasoline, kerosene and diesel fuels
- 100% leak-tested welded-steel tank
- Portable, tilt-to-roll design requires minimal floor space

Fuel caddy technical data

| Model | 3675 | 3677 |
|--|---|---|
| Capacity | 25 gal. (95 liter) | 25 gal. (95 liter) |
| Reservoir material | Steel | Steel |
| Pump output – revolutions/gal. (liter) | 12 | 12 |
| Wheels (qty. 2) | 8 in. (203 mm) diameter | 8 in. (203 mm) diameter |
| Hose length | 7 ft. (2 134 mm) | 7 ft. (2 134 mm) |
| Size | 22.5 x 20.5 x 44 in. (572 x 521 x 1 118 mm) | 22.5 x 20.5 x 44 in. (572 x 521 x 1 118 mm) |



Model 3612



Model 277464



Model 3602

Optional accessories

| Model | Name | Description | Compatible with |
|--------|---------------------|--|--|
| 3612 | 2-way filter system | Filters fuel through independent replaceable filters. Standard on model 3677; optional on model 3675 | 3675, 3677 |
| 277464 | Replacement filter | 1 in.-12 UNF spin-on style fuel filter, 3/4 in. (19 mm) opening | 3612, 3677 |
| 3602 | Magnetic tool tray | For use with metal drains to hold tools, small parts and fasteners | 3601, 3614, 3617, 3618, 3650, 3652, 3675, 3677 |



Model 60004



Model 600204



Model 85387



Model 600104



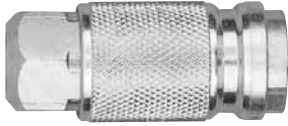
Model 815

Air line products and accessories

| | |
|--|------------|
| Air couplers and nipples | 196 |
| Blow guns, tire inflators and siphon sprayers | 199 |
| Filters, lubricators, regulators and gauges | 201 |
| Single-unit air controls | 202 |
| Modular air care preparation systems and accessories | 206 |
| AirCare systems accessories | 216 |
| Air line equipment accessories | 219 |

Lincoln-style air couplers and nipples

Model 815 1/4 in. (f)



Coupler and nipple can be joined without user pulling back on sleeve. A true quick-connect design!

Lincoln air couplers provide split-second coupling of grease guns, impact wrenches, paint sprayers and other air-operated equipment. Air flow products from Lincoln have the features and durability you demand for your business.

- Positive action locking mechanism so coupler cannot be detached accidentally.
- Extra large air passage insures greater air flow.
- Automatic air check valve shuts off air instantly when uncoupled, providing leak-proof seal.
- Corrosion-resistant steel plug and stainless steel check and check spring for long service life.
- Free swiveling action prevents curling or kinking of air hose.

Lincoln-style couplers and nipples for 1/4 in. ID

Models 815, 11659, 11660, 11661

250 psi (17 bar) maximum operating pressure. Extra-long stem of nipple and coupler body assures long service life, easy connections under severe operating conditions. Maximum air flow 52 scfm (1,5 sm³/min.) at 100 psi (7 bar). Model 815 length 2 1/2 in. (65 mm); diameter 1 1/16 in. (37 mm); weight 4 1/2 oz. (126 g).

Note: Model 11659 is available non-packaged for bulk orders as model 238394.

Model 815 cut-away 1/4 in. (f)



Model 11659 1/4 in. (m)
Model 11660 1/8 in. (m)



Model 11661 1/4 in. (f)



ARO-style couplers and nipples for 1/4 in. ID

Models 5862, 13329, 13331

Fits ARO style nipples for 1/4 in. ID hose. Maximum operating pressure 300 psi (21 bar). 1/4 in. NPT (f) inlet. Maximum air-flow 38 scfm (1,1 sm³/min.) at 100 psi (7 bar). Length 2 in. (50,8 mm); diameter 1 1/8 in. (29 mm); weight 4 oz. (113 g).

Automotive and Tru-Flate-style couplers and nipples for 3/8 in. ID

Models 5874, 5875, 5876

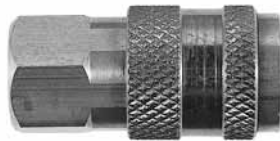
Maximum operating pressure 300 psi (21 bar). Maximum airflow 100 scfm (170 sm³/min.) at 100 psi (7 bar). Length 2 3/8 in. (60,3 mm); diameter 1 in. (25,4 mm); weight 4.8 oz. (136 g).

Universal coupler

Model 5862

Fits all Automotive/Tru-Flate, ARO, and Industrial/Milton-style nipples for 1/4 in. ID hose. Maximum operating pressure 300 psi (21 bar). 1/4 in. NPT (f) inlet. Maximum air-flow 38 scfm (1,1 sm³/min.) at 100 psi (7 bar). Length 2 in. (50,8 mm); diameter 1 1/8 in. (29 mm); weight 4 oz. (113 g). Coupler and nipple can be joined without user pulling back on sleeve.

Model 5862



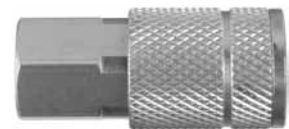
Model 13329 1/4 in. (f)



Model 13331 1/4 in. (f)



Model 5874 3/8 in. (f)



Model 5875 3/8 in. (m)



Model 5876 3/8 in. (f)

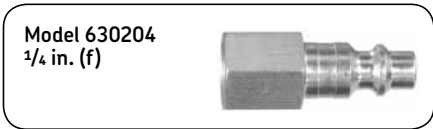




Industrial and Milton-style couplers and nipples for 1/4 in. ID (63 series)

Models 632004, 630104, 630204

Maximum operating pressure 250 psi (17 bar). Maximum airflow 45 scfm (1,3 sm³/min.) at 100 psi (7 bar). Length 1 3/4 in. (44 mm); diameter 1 1/8 in. (29 mm); weight 3 oz. (85 g).



Industrial-style couplers and nipples for 3/8 in. ID (64 series)

Models 642006, 640104, 640204, 640106, 640206

Maximum operating pressure 250 psi (17 bar). Maximum airflow 108 scfm (3,1 sm³/min.) at 100 psi (7 bar). Length 2 1/16 in. (52 mm); diameter 1 5/16 in. (49 mm); weight 6 oz. (170 g).



Industrial-style couplers and nipples for 1/2 in. ID (65 series)

Models 652008, 650108, 650208

Maximum operating pressure 200 psi (14 bar). Maximum airflow 176 scfm (5 sm³/min.) at 100 psi (7 bar). Length 2 3/4 in. (70 mm); diameter 1 1/2 in. (38 mm); weight 9 oz. (255 g).



Air couplers/nipples designation system

| | | | |
|--------|---------------------------|------------------------|----------------------------|
| xx | x | x | xx |
| Series | 0 = nipple 2 = coupler | 1 = male 2 = female | Thread size IN 1/16 in. |

Blow guns, tire inflators and siphon sprayers

Blow guns

Model 840

- Handy thumb-button design provides ease of operation
- Brass stem and synthetic packaging for service life
- Addition of air nipple permits quick connect or disconnect
- 1/4 in. NPT (f) inlet; 7/64 in. outlet diameter

Model 950

- Same as model 840, except with air restricter
- Nozzle inlet maximum pressure 30 psi (2,1 bar) complies with Federal Safety Regulation 50-204.8 and OSHA 1910 242.B

Model 960

- Light-weight cast aluminum pistol grip
- 1/4 in. NPT (f) inlet; 7/64 in. outlet diameter; height 5 3/4 in. (146 mm)
- Nozzle inlet maximum pressure 30 psi (2,1 bar) complies with Federal Safety Regulation 50-204.8 and OSHA 1910 242.B

Model 940

- Same as model 960 less air restricter
- When used for large cleaning requirement or chip cleaning, regulated air pressure must not exceed federal recommended maximum

Model 5980

- Thumb control provides comfort and ease of operation
- 1/4 in. NPT (f) inlet; 1/8 in. NPT (f) outlet

Model 5990 rubber tip for blow guns

- Rubber tip will not scratch surfaces
- Fits models 840, 940 and 5980 blow guns, as well as many competitive models
- 1/8 in. NPT (m) threads

Model 840



Model 960



Model 5980



Model 5990





Air-operated sprayers

Model 939

- Adjustable suction control varies fluid volume as needed.
- Strainer assembly in suction hose keeps out contaminants while assuring uninterrupted flow of fluid.
- 6 ft. (1,8 m) vinyl suction hose permits use with most any container from gallon jug to 55 gal. (208 liter) drum.
- Convenient addition of air coupler nipple permits quick coupling to any air hose.
- Rust and corrosion resistant – pistol grip handle includes brass stem and synthetic packing.
- Use with solvents or detergent solutions. Compatible with vinyl, aluminum and carbon steel.
- Standard air inlet 1/4 in. NPT (f).
- Powerful spray. Maximum operating pressure 200 psi (14 bar).



Model 5983

- Use with solvents or detergent solutions
- 1/4 in. NPT (f) inlet
- Maximum operating pressure 150 psi (10 bar)



Tire accessories

Model 80423 tire inflator

- 12 in. (305 mm) hose extension provides extra-reach capacity.
- Tapered chuck nut allows inflator to fit wheel covers on cars and light trucks.
- Dual chuck permits use on trucks with dual tires.
- Includes model 11659 nipple for use with model 815 coupler. Maximum inlet pressure 200 psi (14 bar).
- 0 to 120 psi (0 to 8 bar) scale in 2 psi (0,14 bar) graduations.

Model 66951 air chuck

For inflating tire. 1/4 in. NPT (f) inlet.



Self-coiling air hose

Model 84606

- Tough abrasive resistant material provides long service life.
- Coiled spring guards prevent kinking.
- 1/4 in. ID x 25 ft. (7,6 m) long – extra length for those hard-to-reach places.
- Working pressures up to 200 psi (14 bar). 1/4 in. NPT (m) fittings each end.

Note: Blow guns on page 189.

Lincoln regulators, filters and lubricators

A well-planned compressed air system virtually ensures minimum pressure loss in the system, and the removal of contaminants: water, compressor oil, etc. An inefficient system results in higher costs per unit of compressed air, improper or erratic tool operation, shortened component life and reduced capacity. Lincoln provides individual components and combined component systems to give you the highest quality for your compressed air tool operations.

Changes in air pressure can affect the performance of air-powered equipment. Most equipment will operate beyond recommended pressure, but this causes excess torque, force and wear and wastes compressed air. Lincoln air regulators eliminate this problem by providing the consistent pressure required for each tool, ensuring maximum life and working efficiency for your pneumatic equipment.

Air filters are essential for proper performance of air powered tools, equipment and machinery. Lincoln filters are designed

to minimize water vapor and contaminants in the air supply. Install a large filter in the main distribution line immediately after the compression accumulator tank. Another smaller filter should be placed inline within 20 feet (6,1 meter) of the equipment it will protect. This ensures the removal of solid particles at point of use and most condensed moisture.

Most air-operated tools, equipment and components of air systems require oil lubrication for proper function and to ensure long service life. Lincoln air line lubricators are designed to meter precise amounts of lubricant into the air supply, improving the efficiency of cylinders, valves and air motors. Lubrication is automatically provided in a nearly constant oil-to-air ratio over a wide range of air flows. Air passing through the operated device is a very fine mist that can be carried over a long distance, serving more than one tool at a time.

Model 600003



Model 600103



Miniature units

Model 600003 miniature regulator

All brass construction with Buna N diaphragm. For 1/4 in. pipe size.
 Maximum supply pressure:
 300 psi (20,68 bar).
 Reduced pressure range:
 0 to 125 psi (0 to 8,62 bar).
 Operating temperature range:
 -40 to +180 °F (-40 to +82 °C).
 Diameter 1 3/8 in. (35 mm), height 2 3/4 in. (70 mm), weight 1/2 lb. (0,23 kg)

Model 600103 miniature filter

All brass construction with porous bronze filter (20 micron) element and shatter proof polycarbonate bowl. For 1/4 in. pipe size.
 Maximum supply pressure:
 200 psi (13,79 bar).
 Maximum operating temperature:
 120 °F (49 °C).
 Diameter 1 9/16 in. (40 mm), height 4 in. (102 mm), weight 3/8 lb. (0,17 kg)

Model 600203 miniature lubricator

All brass construction with shatterproof polycarbonate bowl. For 1/4 in. pipe size.
 Maximum supply pressure:
 200 psi (13,79 bar).
 Maximum operating temperature:
 120 °F (49 °C).
 Oil viscosity limitation not over 800 S.S.U. [SAE #30 not under 85 °F (29,4 °C)].
 Diameter 1 9/16 in. (40 mm), height 4 3/8 in. (111 mm), weight 1/4 lb. (0,11 kg)

Model 602203 miniature lubricator

Aluminum construction with shatterproof polycarbonate bowl. For 1/4 in. pipe size.
 Maximum supply pressure:
 150 psi (10,3 bar).
 Maximum operating temperature:
 125 °F (52 °C).
 Diameter 1.45 in. (37 mm), height 5.23 in. (133 mm), weight 0.3 lb. (0,14 kg)

Model 85672 miniature filter-regulator with gauge-lubricator

For 1/4 in. pipe size.
 Maximum supply pressure:
 150 psi (10,3 bar)
 Operating temperature range:
 0 to +150 °F (-18 to +66 °C).
 Diameter 1.45 in. (37 mm), height 5.23 in. (133 mm), weight 1.23 lbs. (0,6 kg)

Model 85674 miniature filter-lubricator

For 1/4 in. pipe size.
 Maximum supply pressure:
 150 psi (10,3 bar)
 Operating temperature range:
 0 to +125 °F (-18 to +52 °C).
 Diameter 1.45 in. (37 mm), height 5.23 in. (133 mm), weight 0.9 lbs. (0,4 kg)

Model 600203



Model 602203



Model 85672



Model 85674



Gauges

Model 66100 gauge

Registers pressures up to 200 psi (13,79 bar). Dial diameter 2 in. (50,8 mm). 1/4 in. NPT (m) bottom connection. Calibrated both in psi and kg/cm².

Model 66101 gauge

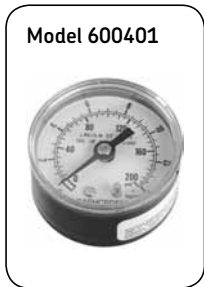
Same as model 66100 except 1/8 in. NPT (m) bottom connection.

Model 600401 gauge

Same as model 66100 except with 1/4 in. NPT center back connection.

Model 66111 gauge

Same as model 66100 except registers to 5 000 psi (345 bar).



Air line equipment accessories – pressure gauges

Available in 1/8 and 1/4 in. NPT back and bottom connections

| Model | Regulator size | Gauge size | | Connection | Maximum pressure | |
|--------|----------------|------------|----|------------------|------------------|----------|
| | | in. | mm | | psi | bar |
| 247843 | 1/4 and 3/8 | 1 1/2 | | 1/8 NPT (back) | 0 to 160 | 0 to 11 |
| 247844 | 1/2, 3/4 and 1 | 2 | 51 | 1/4 NPT (back) | 0 to 160 | 0 to 11 |
| 247863 | 1/2, 3/4 and 1 | 2 | 51 | 1/4 NPT (back) | 0 to 300 | 0 to 20 |
| 66100 | – | 2 | 51 | 1/4 NPT (bottom) | 0 to 200 | 0 to 14 |
| 66101 | – | 2 | 51 | 1/8 NPT (bottom) | 0 to 200 | 0 to 14 |
| 600401 | – | 2 | 51 | 1/4 NPT (back) | 0 to 200 | 0 to 14 |
| 66111 | – | 2 | 51 | 1/4 NPT (bottom) | 0 to 5 000 | 0 to 345 |



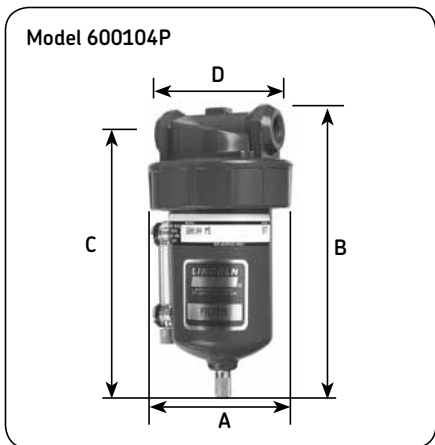
Regulators

Die-cast zinc construction with stainless steel strainer and renewable brass seat. Diaphragm and disc are oil-resistant Buna-N. Secondary pressure side gauge connections are 1/4 in. NPT (f) and are sealed with removable pipe plugs. Maximum supply pressure is 300 psi (20,68 bar) for all sizes

listed. Operating range 0 to 250 psi (0 to 17,24 bar). Operating temperature range is 40 to 120 °F (4 to 49 °C).

Regulators

| Model | Size | Dimensions | | | | Weight | | | | | |
|--------|------|------------|-----|-----|-----|--------|----|-------|-----|------|-----|
| | | A | | B | | C | | D | | lbs. | kg |
| – | in. | in. | mm | in. | mm | in. | mm | in. | mm | | |
| 600004 | 1/4 | 3 | 76 | 6 | 152 | 1 3/8 | 35 | 2 3/8 | 60 | 1.8 | 0,8 |
| 600006 | 3/8 | 3 | 76 | 6 | 152 | 1 3/8 | 35 | 2 3/8 | 60 | 1.8 | 0,8 |
| 600008 | 1/2 | 3 9/16 | 90 | 7 | 178 | 1 1/2 | 38 | 3 1/4 | 83 | 2.8 | 1,3 |
| 600012 | 3/4 | 4 11/16 | 119 | 10 | 254 | 1 7/8 | 48 | 4 3/8 | 111 | 6.2 | 2,8 |
| 600016 | 1 | 4 11/16 | 119 | 10 | 254 | 1 7/8 | 48 | 4 3/8 | 111 | 6.2 | 2,8 |



Filters

Constructed of die-cast zinc with 40 micron filter element of porous bronze. Metal bowl with sight glass. Maximum supply pressure 250 psi (17,24 bar). Maximum temperature 150 °F (66 °C).

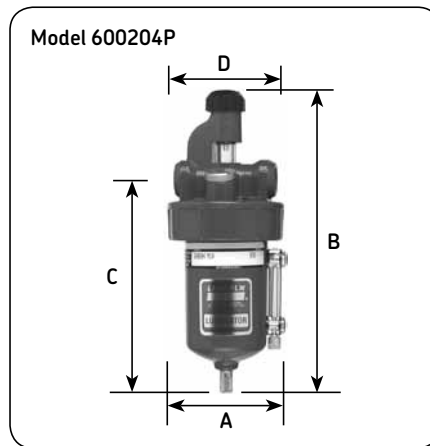
Filters

| Model | Size | Capacity size | | Dimensions | | | | Weight | | | | | |
|---------|------|---------------|-----|------------|-----|-------|-----|--------|-----|---------|------|------|-----|
| | | oz. | cm3 | A | | B | | C | | D | | lbs. | kg |
| – | in. | | | in. | mm | in. | mm | in. | mm | in. | mm | | |
| 600104P | 1/4 | 5 | 142 | 2 15/16 | 75 | 5 5/8 | 143 | 5 1/8 | 130 | 2 13/16 | 71,4 | 1.8 | 0,8 |
| 600106P | 3/8 | 5 | 142 | 2 15/16 | 75 | 5 5/8 | 143 | 5 1/8 | 130 | 2 13/16 | 71,4 | 1.8 | 0,8 |
| 600108P | 1/2 | 8 | 227 | 3 3/4 | 95 | 6 1/4 | 159 | 5 5/8 | 143 | 2 13/16 | 71,4 | 2.8 | 1,3 |
| 600112 | 3/4 | 16 | 454 | 4 7/8 | 124 | 8 3/4 | 222 | 7 3/4 | 197 | 4 9/16 | 116 | 6.3 | 2,9 |
| 600116 | 1 | 16 | 454 | 4 7/8 | 124 | 8 3/4 | 222 | 7 3/4 | 197 | 4 9/16 | 116 | 6.3 | 2,9 |

Lubricators

Constructed of die-cast zinc. Metal bowl with sight glass. Maximum supply pressure 250 psi (17,24 bar). Maximum temperature 150 °F (66 °C). Oil viscosity maximum not over 800 S.S.U. [SAE #30 not under 85 °F (29,4 °C)].

Note: Oil adjustment may be made tamper-proof by removing “dial set” knob on all models. All sizes may be filled while under pressure.



Lubricators

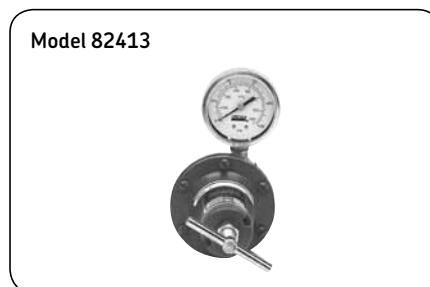
| Model | Size | Capacity size | | Dimensions A | | B | | C | | D | | Weight | |
|---------|------|---------------|-----|--------------|-----|--------|-----|-------|-----|---------|------|--------|------|
| | | in. | oz. | cm3 | in. | mm | in. | mm | in. | mm | in. | mm | lbs. |
| 600204P | 1/4 | 5 | 142 | 2 15/16 | 75 | 7 5/8 | 194 | 5 5/8 | 143 | 2 13/16 | 71,4 | 2.2 | 1 |
| 600206P | 3/8 | 5 | 142 | 2 15/16 | 75 | 7 5/8 | 194 | 5 5/8 | 143 | 2 13/16 | 71,4 | 2.2 | 1 |
| 600208P | 1/2 | 8 | 227 | 3 3/4 | 95 | 8 1/8 | 206 | 5 3/4 | 146 | 2 13/16 | 71,4 | 3.3 | 1,5 |
| 600212 | 3/4 | 16 | 454 | 4 7/8 | 124 | 10 1/2 | 267 | 7 7/8 | 200 | 4 9/16 | 116 | 4.2 | 1,9 |
| 600216 | 1 | 16 | 454 | 4 7/8 | 124 | 10 1/2 | 267 | 7 7/8 | 200 | 4 9/16 | 116 | 4.2 | 1,9 |

Model 82413 control assembly

Includes model 66100 gauge and model 600004 regulator. Inlet and outlet 1/4 in. NPT (f).

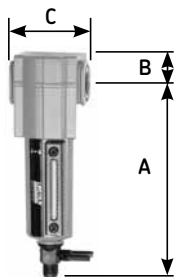
Model 600301 automatic drain conversion kit

Converts manual drain filter to automatic drain. Increases filter efficiency and eliminates problem of manual draining.



Lincoln's modular AirCare regulators, filters and lubricators

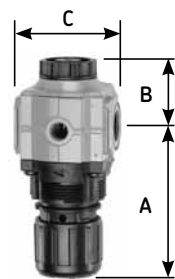
- Modular components snap into place for quick assembly and service
- Wide selection of sizes, styles and capacities to meet specific application requirements



Model 602108

Modular air line filters

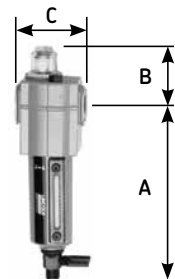
| Model | Maximum pressure | | Temperature range | | Material of construction | | Material | Element particle size |
|--------|------------------|-----|-------------------|------------|--------------------------|----------|------------------------|-----------------------|
| | psi | bar | °F | °C | Body | Bowl | | |
| – | – | – | – | – | – | – | – | μ |
| 602104 | 250 | 17 | 0 to 150 | –18 to +66 | Zinc | Zinc | Sintered polypropylene | 40 |
| 602106 | 250 | 17 | 0 to 150 | –18 to +66 | Zinc | Zinc | Sintered polypropylene | 40 |
| 602108 | 250 | 17 | 0 to 175 | –18 to +79 | Aluminum | Aluminum | Sintered polypropylene | 40 |
| 602109 | 250 | 17 | 0 to 175 | –18 to +79 | Aluminum | Aluminum | Sintered polypropylene | 40 |



Model 602008

Modular air line regulators

| Model | Maximum pressure | | Temperature range | | Material of construction | | | | Secondary connections |
|--------|------------------|-----|-------------------|------------|--------------------------|----------|---------------|-------------|-----------------------|
| | psi | bar | °F | °C | Body | Bonnet | Valve seal | Bottom plug | |
| – | – | – | – | – | – | – | – | – | in. |
| 602004 | 300 | 21 | 0 to 150 | –18 to +66 | Zinc | Acetal | Brass nitrile | Acetal | 1/8 NPT (f) |
| 602005 | 300 | 21 | 0 to 150 | –18 to +66 | Zinc | Acetal | Brass nitrile | Acetal | 1/8 NPT (f) |
| 602006 | 300 | 21 | 0 to 150 | –18 to +66 | Zinc | Acetal | Brass nitrile | Acetal | 1/8 NPT (f) |
| 602007 | 300 | 21 | 0 to 175 | –18 to +79 | Aluminum | Aluminum | Brass nitrile | Acetal | 1/4 NPT (f) |
| 602008 | 300 | 21 | 0 to 175 | –18 to +79 | Aluminum | Aluminum | Brass nitrile | Acetal | 1/4 NPT (f) |
| 602009 | 300 | 21 | 0 to 175 | –18 to +79 | Aluminum | Aluminum | Brass nitrile | Acetal | 1/4 NPT (f) |



Model 602208

Modular air line lubricators

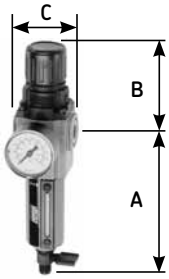
| Model | Maximum pressure | | Temperature range | | Material of construction | | |
|--------|------------------|-----|-------------------|------------|--------------------------|----------|-------------------|
| | psi | bar | °F | °C | Body | Bowl | Sight feed dome |
| – | – | – | – | – | – | – | – |
| 602204 | 250 | 17 | 0 to 150 | –18 to +66 | Zinc | Zinc | Transparent nylon |
| 602206 | 250 | 17 | 0 to 150 | –18 to +66 | Zinc | Zinc | Transparent nylon |
| 602208 | 250 | 17 | 0 to 175 | –18 to +79 | Aluminum | Aluminum | Transparent nylon |

Recommended lubricants: misting type oil 50 to 200 SSU (ISO Grade 7 to 46) at 100 °F (38 °C)
Transparent nylon liquid level indicator lens

| Model | Drain type | Size PTF | Dimensions | | | | | | Diameter | | Weight | |
|--------|------------|----------|------------|-----|------|----|------|----|----------|----|--------|-----|
| | | | A | | B | | C | | in. | mm | lbs. | kg |
| – | – | in. | in. | mm | in. | mm | in. | mm | in. | mm | lbs. | kg |
| 602104 | Manual | 1/4 | 5.27 | 134 | 0.75 | 19 | 1.98 | 50 | 1.91 | 49 | 1.1 | 0,5 |
| 602106 | Manual | 3/8 | 5.27 | 134 | 0.75 | 19 | 1.98 | 50 | 1.91 | 49 | 1.1 | 0,5 |
| 602108 | Manual | 1/2 | 6.95 | 177 | 1.00 | 25 | 3.15 | 80 | 2.89 | 73 | 1.8 | 0,8 |
| 602109 | Automatic | 1/2 | 6.35 | 161 | 1.00 | 25 | 3.15 | 80 | 2.89 | 73 | 1.8 | 0,8 |

| Model | Pressure range | | Connection NPT (f) | Dimensions | | | | Diameter | | Adjuster | Weight | | | |
|--------|----------------|-----------|--------------------|------------|-----|------|-----|----------|-----|----------|--------|----------|------|-----|
| | psi | bar | | in. | in. | mm | in. | mm | in. | | mm | – | lbs. | kg |
| – | psi | bar | in. | in. | mm | in. | mm | in. | mm | in. | mm | – | lbs. | kg |
| 602004 | 5 to 150 | 0,3 to 10 | 1/4 | 4.0 | 102 | 1.31 | 33 | 2.0 | 51 | 3.2 | 81 | T-handle | 0.8 | 0,4 |
| 602005 | 5 to 150 | 0,3 to 10 | 1/4 | 2.88 | 73 | 1.31 | 33 | 2.0 | 51 | 3.2 | 81 | Knob | 0.8 | 0,4 |
| 602006 | 5 to 150 | 0,3 to 10 | 3/8 | 4.0 | 102 | 1.31 | 33 | 2.0 | 51 | 3.2 | 81 | T-handle | 0.8 | 0,4 |
| 602007 | 5 to 150 | 0,3 to 10 | 3/8 | 2.88 | 73 | 1.31 | 33 | 2.0 | 51 | 3.2 | 81 | Knob | 0.8 | 0,4 |
| 602008 | 10 to 250 | 0,7 to 17 | 1/2 | 5.95 | 151 | 1.69 | 43 | 3.15 | 80 | 5.1 | 130 | T-handle | 1.77 | 0,8 |
| 602009 | 5 to 150 | 0,3 to 10 | 1/2 | 5.0 | 127 | 1.69 | 43 | 3.15 | 80 | 5.1 | 130 | Knob | 1.77 | 0,8 |

| Model | Connection NPT (f) | Bowl capacity | | Dimensions | | | | Diameter | | Weight | | | |
|--------|--------------------|---------------|-----|------------|-----|------|----|----------|----|--------|----|-----|-----|
| | | oz. | ml | in. | mm | in. | mm | in. | mm | lbs. | kg | | |
| – | in. | oz. | ml | in. | mm | in. | mm | in. | mm | lbs. | kg | | |
| 602204 | 1/4 | 2.0 | 57 | 5.27 | 134 | 1.63 | 41 | 1.98 | 50 | 1.91 | 49 | 1.1 | 0,5 |
| 602206 | 3/8 | 2.0 | 57 | 5.27 | 134 | 1.63 | 41 | 1.98 | 50 | 1.91 | 49 | 1.1 | 0,5 |
| 602208 | 1/2 | 7.0 | 198 | 6.95 | 177 | 2.12 | 54 | 3.15 | 80 | 2.89 | 73 | 1.6 | 0,7 |

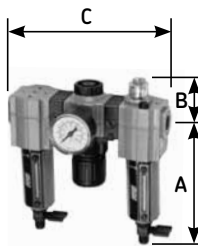


Model 602138

Integrated/modular filter/regulator with gauge

| Model | Maximum pressure | | Temperature range | | Element particle size μ | Pressure range | |
|--------|------------------|-----|-------------------|------------|----------------------------|----------------|-----------|
| | psi | bar | °F | °C | | psi | bar |
| 602134 | 250 | 17 | 0 to 150 | -18 to +66 | 40 | 5 to 150 | 0,3 to 10 |
| 602136 | 250 | 17 | 0 to 150 | -18 to +66 | 40 | 5 to 150 | 0,3 to 10 |
| 602138 | 250 | 17 | 0.3 to 10 | -18 to -12 | 40 | 5 to 150 | 0,3 to 10 |

Can be used with other AirCare modular components.

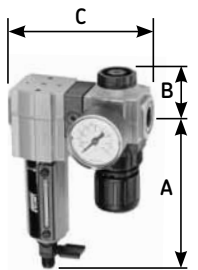


Model 85387-8

Modular air line combination units: filter-regulator with gauge-lubricator

| Model | Maximum pressure | | Temperature range | | Element particle size μ | Pressure range | | Capacity size | |
|---------|------------------|-----|-------------------|------------|----------------------------|----------------|-----------|---------------|-----|
| | psi | bar | °F | °C | | psi | bar | oz. | ml |
| 85387-4 | 250 | 17 | 0 to 150 | -18 to +66 | 40 | 5 to 150 | 0,3 to 10 | 2.0 | 57 |
| 85387-6 | 250 | 17 | 0 to 150 | -18 to +66 | 40 | 5 to 150 | 0,3 to 10 | 2.0 | 57 |
| 85387-8 | 250 | 17 | 0 to 175 | -18 to +79 | 40 | 5 to 150 | 0,3 to 10 | 7.0 | 198 |

Transparent nylon liquid level indicator lens.

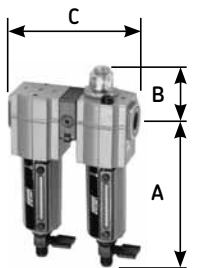


Model 85388-8

Modular air line combination units: filter-regulator with gauge

| Model | Maximum pressure | | Temperature range | | Element particle size μ | Pressure range | |
|---------|------------------|-----|-------------------|------------|----------------------------|----------------|-----------|
| | psi | bar | °F | °C | | psi | bar |
| 85388-4 | 250 | 17 | 0 to 150 | -18 to +66 | 40 | 5 to 150 | 0,3 to 10 |
| 85388-6 | 250 | 17 | 0 to 150 | -18 to +66 | 40 | 5 to 150 | 0,3 to 10 |
| 85388-8 | 250 | 17 | 0 to 175 | -18 to +79 | 40 | 5 to 150 | 0,3 to 10 |

Transparent nylon liquid level indicator lens.



Model 85389-8

Modular air line combination units: filter-lubricator

| Model | Maximum pressure | | Temperature range | | Element particle size μ | Capacity size | |
|---------|------------------|-----|-------------------|------------|----------------------------|---------------|-----|
| | psi | bar | °F | °C | | oz. | ml |
| 85389-8 | 250 | 17 | 0 to 175 | -18 to +79 | 40 | 7.0 | 198 |

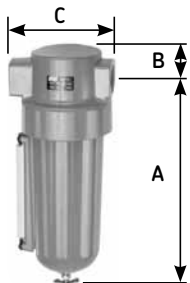
Transparent nylon liquid level indicator lens.

| Model | Drain type | Size PTF | Dimensions | | | | | | Diameter | | Weights | |
|--------|------------|----------|------------|-----|------|-----|------|----|----------|-----|---------|-----|
| | | | A | | B | | C | | in. | mm | lbs. | kg |
| – | – | in. | in. | mm | in. | mm | in. | mm | in. | mm | lbs. | kg |
| 602134 | Manual | 1/4 | 5.27 | 134 | 2.89 | 73 | 1.98 | 50 | 3.29 | 84 | 1.2 | 0,5 |
| 602136 | Manual | 3/8 | 5.27 | 134 | 2.89 | 73 | 1.98 | 50 | 3.29 | 84 | 1.2 | 0,5 |
| 602138 | Manual | 1/2 | 6.95 | 177 | 4.98 | 127 | 3.15 | 80 | 5.10 | 130 | 2.6 | 1,2 |

| Model | Drain type | Size PTF | Dimensions | | | | C | | Weights | |
|---------|------------|----------|------------|-----|------|----|-------|-----|---------|-----|
| | | | A | | B | | in. | mm | lbs. | kg |
| – | – | in. | in. | mm | in. | mm | in. | mm | lbs. | kg |
| 85387-4 | Manual | 1/4 | 5.27 | 134 | 1.63 | 41 | 6.46 | 164 | 3.3 | 1,5 |
| 85387-6 | Manual | 3/8 | 5.27 | 134 | 1.63 | 41 | 6.46 | 164 | 3.3 | 1,5 |
| 85387-8 | Manual | 1/2 | 6.95 | 177 | 2.12 | 54 | 10.52 | 267 | 6.2 | 2,8 |

| Model | Drain type | Size PTF | Dimensions | | | | C | | Weights | |
|---------|------------|----------|------------|-----|------|----|------|-----|---------|-----|
| | | | A | | B | | in. | mm | lbs. | kg |
| – | – | in. | in. | mm | in. | mm | in. | mm | lbs. | kg |
| 85388-4 | Manual | 1/4 | 5.27 | 134 | 1.31 | 33 | 4.22 | 107 | 2.0 | 1,0 |
| 85388-6 | Manual | 3/8 | 5.27 | 134 | 1.31 | 33 | 4.22 | 107 | 2.0 | 1,0 |
| 85388-8 | Manual | 1/2 | 6.95 | 177 | 1.69 | 43 | 6.84 | 174 | 4.2 | 2,0 |

| Model | Drain type | Size PTF | Dimensions | | | | C | | Weights | |
|---------|------------|----------|------------|-----|------|----|------|-----|---------|-----|
| | | | A | | B | | in. | mm | lbs. | kg |
| – | – | in. | in. | mm | in. | mm | in. | mm | lbs. | kg |
| 85389-8 | Manual | 1/2 | 6.95 | 177 | 2.12 | 54 | 6.84 | 174 | 3.8 | 1,7 |

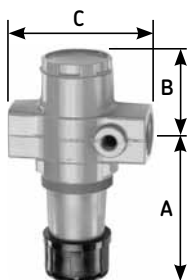


Model 602112

High-capacity air line filters

| Model | Maximum pressure | | Temperature range | | Material of construction | | Material | Element particle size |
|--------|------------------|-----|-------------------|------------|--------------------------|----------|-----------------|-----------------------|
| | psi | bar | °F | °C | Body | Bowl | | |
| – | – | – | – | – | – | – | – | μ |
| 602112 | 250 | 17 | 0 to 175 | –18 to +79 | Aluminum | Aluminum | Sintered bronze | 50 |
| 602113 | 250 | 17 | 0 to 175 | –18 to +79 | Aluminum | Aluminum | Sintered bronze | 50 |
| 602116 | 250 | 17 | 0 to 175 | –18 to +79 | Aluminum | Aluminum | Sintered bronze | 50 |
| 602117 | 250 | 17 | 0 to 175 | –18 to +79 | Aluminum | Aluminum | Sintered bronze | 50 |

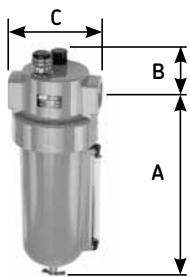
Bowl is aluminum with Pyrex sight glass (liquid level indicator).



Model 602013

High-capacity air line regulators

| Model | Maximum pressure | | Temperature range | | Material of construction | | | Bottom plug | Secondary Connections |
|--------|------------------|-----|-------------------|------------|--------------------------|----------|------------------|-------------|-----------------------|
| | psi | bar | °F | °C | Body | Bonnet | Valve seal | | |
| – | – | – | – | – | – | – | – | – | in. |
| 602012 | 300 | 21 | 0 to 175 | –18 to +79 | Aluminum | Aluminum | Aluminum/nitrile | Aluminum | 1/4 NPT (f) |
| 602013 | 300 | 21 | 0 to 175 | –18 to +79 | Aluminum | Aluminum | Aluminum/nitrile | Aluminum | 1/4 NPT (f) |
| 602016 | 300 | 21 | 0 to 175 | –18 to +79 | Aluminum | Aluminum | Aluminum/nitrile | Aluminum | 1/4 NPT (f) |

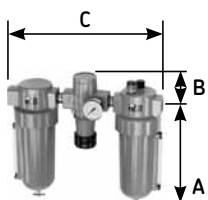


Model 602212

High-capacity air line lubricators

| Model | Maximum pressure | | Temperature range | | Material of construction | | |
|--------|------------------|-----|-------------------|------------|--------------------------|----------|-------------------|
| | psi | bar | °F | °C | Body | Bowl | Sight feed dome |
| – | – | – | – | – | – | – | – |
| 602212 | 250 | 17 | 0 to 175 | –18 to +79 | Aluminum | Aluminum | Transparent nylon |
| 602216 | 250 | 17 | 0 to 175 | –18 to +79 | Aluminum | Aluminum | Transparent nylon |

Recommended lubricants: misting type oil 50 to 200 SSU (ISO Grade 7 to 46) at 100 °F (38 °C)
Bowl is aluminum with Pyrex liquid level indicator



Model 85387-12

High-capacity air line combination units: high-capacity filter-regulator with gauge-lubricator

| Model | Maximum pressure | | Temperature range | | Element particle size | Pressure range | | Capacity size | |
|----------|------------------|-----|-------------------|------------|-----------------------|----------------|------------|---------------|-----|
| | psi | bar | °F | °C | | psi | bar | oz. | ml |
| – | – | – | – | – | μ | – | – | – | – |
| 85387-12 | 250 | 17 | 0 to 175 | –18 to +79 | 50 | 5 to 125 | 0,3 to 8,6 | 32 | 946 |
| 85387-16 | 250 | 17 | 0 to 175 | –18 to +79 | 50 | 5 to 125 | 0,3 to 8,6 | 32 | 946 |

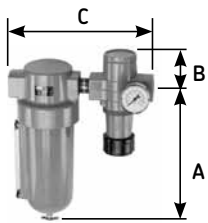
Pyrex liquid level indicator

| Model | Drain type | Size PTF | Dimensions | | | | | | Diameter | | Weights | |
|---------------|------------|----------|------------|-----|------|----|------|-----|----------|-----|---------|-----|
| | | | A | | B | | C | | in. | mm | lbs. | kg |
| – | – | in. | in. | mm | in. | mm | in. | mm | in. | mm | lbs. | kg |
| 602112 | Manual | 3/4 | 10.44 | 265 | 1.25 | 32 | 4.75 | 121 | 5.52 | 140 | 4.1 | 1,9 |
| 602113 | Automatic | 3/4 | 10.06 | 256 | 1.25 | 32 | 4.75 | 121 | 5.52 | 140 | 4.1 | 1,9 |
| 602116 | Manual | 1 | 10.44 | 265 | 1.25 | 32 | 4.75 | 121 | 5.52 | 140 | 4.1 | 1,9 |
| 602117 | Automatic | 1 | 10.06 | 256 | 1.25 | 32 | 4.75 | 121 | 5.52 | 140 | 4.1 | 1,9 |

| Model | Pressure range | | Connections NPT (f) | Dimensions | | | | Diameter | | Adjuster | Weights | | | |
|---------------|----------------|-----------|---------------------|------------|-----|------|----|----------|-----|----------|---------|----------|------|-----|
| | psi | bar | | A | | B | | C | | | in. | mm | lbs. | kg |
| – | psi | bar | in. | in. | mm | in. | mm | in. | mm | in. | mm | – | lbs. | kg |
| 602012 | 10 to 250 | 0,7 to 17 | 3/4 | 5.69 | 145 | 2.38 | 60 | 4.25 | 108 | 2.38 | 60 | T-handle | 2.5 | 1,1 |
| 602012 | 5 to 150 | 0,3 to 10 | 3/4 | 4.71 | 120 | 2.38 | 60 | 4.25 | 108 | 2.38 | 60 | Knob | 2.5 | 1,1 |
| 602016 | 10 to 250 | 0,7 to 17 | 1 | 5.69 | 145 | 2.38 | 60 | 4.25 | 108 | 2.38 | 60 | T-handle | 2.5 | 1,1 |

| Model | Connections NPT (f) | Bowl capacity | | Dimensions | | | | Diameter | | Weights | | | |
|---------------|---------------------|---------------|-----|------------|-----|------|----|----------|-----|---------|-----|------|-----|
| | | oz. | ml | A | | B | | C | | in. | mm | lbs. | kg |
| – | in. | oz. | ml | in. | mm | in. | mm | in. | mm | in. | mm | lbs. | kg |
| 602212 | 3/4 | 32 | 946 | 10.24 | 260 | 2.22 | 56 | 4.5 | 114 | 5.52 | 140 | 3.6 | 1,6 |
| 602216 | 1 | 32 | 946 | 10.24 | 260 | 2.22 | 56 | 4.5 | 114 | 5.52 | 140 | 3.6 | 1,6 |

| Model | Drain type | Size PTF | Dimensions | | | | Diameter | | Weights | | | |
|-----------------|------------|----------|------------|-----|------|----|----------|-----|---------|-----|------|-----|
| | | | A | | B | | C | | in. | mm | lbs. | kg |
| – | – | in. | in. | mm | in. | mm | in. | mm | in. | mm | lbs. | kg |
| 85387-12 | Manual | 3/4 | 10.44 | 265 | 2.22 | 56 | 14.75 | 375 | 10.6 | 4,8 | 10.6 | 4,8 |
| 85387-16 | Manual | 1 | 10.44 | 265 | 2.22 | 56 | 14.75 | 375 | 10.6 | 4,8 | 10.6 | 4,8 |

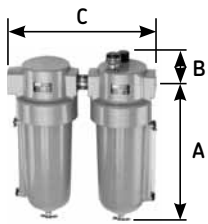


High-capacity air line combination units: filter-regulator with gauge

| Model | Maximum pressure | | Temperature range | | Element particle size | Pressure range | |
|----------|------------------|-----|-------------------|------------|-----------------------|----------------|------------|
| | psi | bar | °F | °C | | psi | bar |
| 85388-12 | 250 | 17 | 0 to 175 | -18 to +79 | 50 | 5 to 125 | 0,3 to 8,6 |

Pyrex liquid level indicator

Model 85388-12

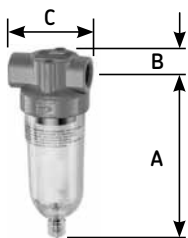


High-capacity air line combination units: filter-lubricator

| Model | Maximum pressure | | Temperature range | | Element particle size | Capacity size | |
|----------|------------------|-----|-------------------|------------|-----------------------|---------------|-----|
| | psi | bar | °F | °C | | oz. | ml |
| 85389-12 | 250 | 17 | 0 to 175 | -18 to +79 | 50 | 32 | 946 |
| 85389-16 | 250 | 17 | 0 to 175 | -18 to +79 | 50 | 32 | 946 |

Pyrex liquid level indicator

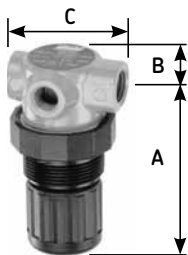
Model 85389-12



Miniature air line components: air line filter

| Model | Maximum pressure | | Temperature range | | Material of construction | | Material | Element particle size |
|--------|------------------|------|-------------------|------------|--------------------------|---------------|----------------------|-----------------------|
| | psi | bar | °F | °C | Body | Bowl | | |
| 602103 | 150 | 10,3 | 0 to 125 | -18 to +52 | Zinc | Polycarbonate | Porous polypropylene | 50 |

Model 602103



Miniature air line components: air line regulator

| Model | Maximum pressure | | Temperature range | | Material of construction | | | Bottom plug | Secondary Connections |
|--------|------------------|-----|-------------------|------------|--------------------------|--------|---------------|-------------|-----------------------|
| | psi | bar | °F | °C | Body | Bonnet | Valve seal | | |
| 602003 | 300 | 21 | 0 to 150 | -18 to +66 | Zinc | Acetal | Brass/nitrile | Acetal | 1/8 NPT (f) |

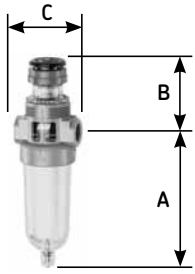
Model 602003

| Model | Drain type | Port size PTF | Dimensions | | | | | | Diameter | | Weights | |
|----------|------------|---------------|------------|-----|------|----|-----|-----|----------|------|---------|-----|
| | | | A | B | C | | | | | lbs. | kg | |
| – | – | in. | in. | mm | in. | mm | in. | mm | in. | mm | lbs. | kg |
| 85388-12 | Manual | 3/4 | 10.44 | 265 | 2.38 | 60 | 10 | 254 | 5.52 | 140 | 6.9 | 3,1 |

| Model | Drain type | Size PTF | Dimensions | | | | | | Diameter | | Weights | |
|----------|------------|----------|------------|-----|------|----|-------|-----|----------|------|---------|-----|
| | | | A | B | C | | | | | lbs. | kg | |
| – | – | in. | in. | mm | in. | mm | in. | mm | in. | mm | lbs. | kg |
| 85389-12 | Manual | 3/4 | 10.44 | 265 | 2.22 | 56 | 10.25 | 260 | 5.52 | 140 | 7.8 | 3,5 |
| 85389-16 | Manual | 1 | 10.44 | 265 | 2.22 | 56 | 10.25 | 260 | 5.52 | 140 | 7.8 | 3,5 |

| Model | Drain type | Size PTF | Dimensions | | | | | | Diameter | | Weights | |
|--------|------------|----------|------------|----|------|----|------|----|----------|------|---------|------|
| | | | A | B | C | | | | | lbs. | kg | |
| – | – | in. | in. | mm | in. | mm | in. | mm | in. | mm | lbs. | kg |
| 602103 | Manual | 1/4 | 3.25 | 83 | 0.38 | 10 | 1.63 | 41 | 1.45 | 37 | 0.3 | 0,14 |

| Model | Pressure range | | Connection NPT (f) | Dimensions | | | | | | Adjuster | Weights | | | |
|--------|----------------|----------|--------------------|------------|----|------|----------|------|------|----------|---------|------|------|------|
| | psi | bar | | A | B | C | Diameter | | lbs. | | kg | | | |
| – | psi | bar | in. | in. | mm | in. | mm | in. | mm | in. | mm | – | lbs. | kg |
| 602003 | 5 to 100 | 0,3 to 7 | 1/4 | 2.52 | 64 | 0.39 | 10 | 1.63 | 41 | 1.45 | 37 | Knob | 0.3 | 0,14 |



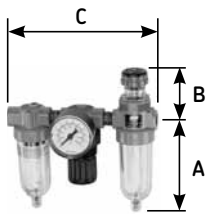
Miniature air line components: air line lubricator

| Model | Maximum pressure | | Temperature range | | Material of construction | | |
|-------|------------------|-----|-------------------|----|--------------------------|------|-----------------|
| | psi | bar | °F | °C | Body | Bowl | Sight feed dome |
| – | | | | | – | – | – |

| | | | | | | | |
|---------------|-----|------|----------|------------|----------|---------------|-------------------|
| 602203 | 150 | 10,3 | 0 to 125 | –18 to +52 | Aluminum | Polycarbonate | Transparent nylon |
|---------------|-----|------|----------|------------|----------|---------------|-------------------|

Recommended lubricants: misting type oil 50 to 200 SSU (ISO Grade 7 to 46) at 100 °F (38 °C)

Model 602203

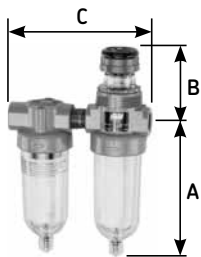


Miniature air line combination units: filter-regulator with gauge-lubricator

| Model | Maximum pressure | | Temperature range | | Element particle size | Pressure range | | Capacity size | |
|-------|------------------|-----|-------------------|----|-----------------------|----------------|-----|---------------|----|
| | psi | bar | °F | °C | | psi | bar | oz. | ml |
| – | | | | | μ | | | | |

| | | | | | | | | | |
|--------------|-----|------|----------|------------|----|----------|----------|-----|----|
| 85672 | 150 | 10,3 | 0 to 150 | –18 to +66 | 50 | 5 to 100 | 0,3 to 7 | 1.0 | 28 |
|--------------|-----|------|----------|------------|----|----------|----------|-----|----|

Model 85672



Miniature air line combination units: filter-lubricator

| Model | Maximum pressure | | Temperature range | | Element particle size | Capacity size | |
|-------|------------------|-----|-------------------|----|-----------------------|---------------|----|
| | psi | bar | °F | °C | | oz. | ml |
| – | | | | | μ | | |

| | | | | | | | |
|--------------|-----|------|----------|------------|---|-----|----|
| 85674 | 150 | 10,3 | 0 to 125 | –18 to +52 | 5 | 1.0 | 28 |
|--------------|-----|------|----------|------------|---|-----|----|

Model 85674

| Model | Connection NPT (f) | Bowl capacity | | Dimensions | | | | Diameter | | | | Weights | |
|---------------|-----------------------|---------------|----|------------|----|------|----|----------|----|----------|----|---------|------|
| | | oz. | ml | A | | B | | C | | Diameter | | lbs. | kg |
| – | in. | | | in. | mm | in. | mm | in. | mm | in. | mm | | |
| 602203 | 1/4 | 1.0 | 28 | 3.25 | 83 | 1.98 | 50 | 1.63 | 41 | 1.45 | 37 | 0.3 | 0,14 |

| Model | Drain type | Size PTF | Dimensions | | | | Diameter | | | | Weights | |
|--------------|---------------|-------------|------------|----|------|----|----------|-----|----------|----|---------|-----|
| | | | A | | B | | C | | Diameter | | lbs. | kg |
| – | – | in. | in. | mm | in. | mm | in. | mm | in. | mm | | |
| 85672 | Manual | 1/4 | 3.25 | 83 | 1.98 | 50 | 5.61 | 143 | 1.45 | 37 | 1.3 | 0,6 |

| Model | Drain type | Size PTF | Dimensions | | | | Diameter | | | | Weights | |
|--------------|---------------|-------------|------------|----|------|----|----------|----|----------|----|---------|-----|
| | | | A | | B | | C | | Diameter | | lbs. | kg |
| – | – | in. | in. | mm | in. | mm | in. | mm | in. | mm | | |
| 85674 | Manual | 1/4 | 3.25 | 83 | 1.98 | 50 | 3.66 | 93 | 1.45 | 37 | 0.9 | 0,4 |

AirCare systems accessories

Modular air line equipment accessories

Lockout valve

Install in-line or modular with other AirCare products to help conform to OSHA lockout regulations. In the closed position, valves block inlet air flow and exhaust downstream air.



Lock-out valve

| Model | Modular use | In-line use | Maximum pressure | | Temperature range | |
|---------------|-------------|-------------|------------------|-----|-------------------|------------|
| | | | psi | bar | °F | °C |
| – | in. | in. | | | | |
| 247770 | 1/4 modular | 1/4 | 250 | 17 | 0 to 150 | -18 to +66 |
| 247771 | 3/8 modular | 3/8 | 250 | 17 | 0 to 150 | -18 to +66 |
| 247772 | 1/2 modular | 1/2 | 250 | 17 | 0 to 150 | -18 to +66 |



Quick clamp

Use with modular air line components to provide modular installation capability. Flanges on the products slide into “v” grooves in the quick clamp. Two face-sealing o-rings in the quick clamp provide an air tight connection when the clamp is closed.

Quick clamp

| Model | Modular size | Dimensions | |
|---------------|--------------|------------|----|
| | | in. | mm |
| – | in. | | |
| 247782 | 1/4 and 3/8 | 1.5 | 38 |
| 247783 | 1/2 and 3/4 | 2.0 | 51 |

Quick clamp wall mounting bracket

Use with quick clamp to provide secure mounting to a wall, machine panel or other flat surface.

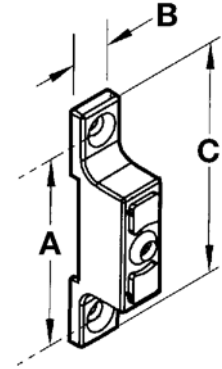
Quick mount pipe adapters

Use with quick clamp to provide threaded connections to the system piping.

Manifold block

Installs with quick clamps. Ports are threaded pipe to provide manifolding capability for up to three components.

Model 247792



Quick clamp wall mounting bracket

| Model | Modular size | Dimensions | | B | | C | |
|---------------|--------------|------------|----|------|----|------|-----|
| | | A | | in. | mm | in. | mm |
| – | in. | in. | mm | in. | mm | in. | mm |
| 247792 | 1/4 and 3/8 | 2.32 | 59 | 0.55 | 14 | 2.91 | 74 |
| 247793 | 1/2 and 3/4 | 3.25 | 83 | 0.95 | 24 | 4.0 | 102 |

Quick mount pipe adapters

| Model | Modular use | Size |
|---------------|---------------------|------|
| – | in. | in. |
| 247787 | 3/8 modular | 3/8 |
| 247789 | 1/2 and 3/4 modular | 3/8 |
| 247791 | 1/2 and 3/4 modular | 3/4 |

Manifold block

| Model | Size | Modular size | Dimensions | | B | |
|---------------|------|--------------|------------|------|------|----|
| | | | A | | in. | mm |
| – | in. | in. | in. | mm | in. | mm |
| 247795 | 3/4 | 1/2 and 3/4 | 2.27 | 57.8 | 3.15 | 80 |

Model 247787



Model 247795





Pressure switch

Monitors air pressure and provides an electrical signal when the pressure drops below or exceeds the preset pressure. Installs between two quick clamps. Also provides three additional 1/4 in. auxiliary outlets.

Pressure switch

| Model | Modular size | Maximum pressure | | Temperature range | | Adjustment range | |
|--------|--------------|------------------|-----|-------------------|------------|------------------|---------|
| | | psi | bar | °F | °C | psi | bar |
| 247797 | 1/2 and 3/4 | 250 | 17 | 0 to 150 | -18 to +66 | 30 to 150 | 2 to 10 |



Tamper resistant cover and seal wire

Install on the adjusting knob of regulators to help prevent unauthorized adjustment of the pressure setting.

Tamper resistant cover and seal wire

| Model | Modular size |
|--------|--------------|
| 247777 | 1/4 and 3/8 |
| 247778 | 1/2 and 3/4 |



Wall mount bracket

Use to secure modular air line components to a wall, machine panel or other flat surface.

Wall mount bracket

| Model | Modular size |
|--------|--------------|
| 247775 | 1/4 and 3/8 |
| 247776 | 1/2 and 3/4 |

Air line equipment accessories

Mounting bracket and nut – miniature

Use to secure modular air line components to a wall, machine panel or other flat surface.

Mounting bracket and nut – miniature

| Model | Component |
|--------|--------------------------------|
| 247774 | All regulators and lubricators |

Model 247774



Pressure gauges

Available in 1/8 in. NPT and 1/4 in. NPT back connection.

Pressure gauges

| Model | Regulator size | Gauge size | Connection | Maximum pressure | |
|--------|----------------|------------|------------|------------------|---------|
| | | | | psi | bar |
| – | in. | in. | in. | | |
| 247843 | 1/4 and 3/8 | 1 1/2 | 1/8 NPT | 0 to 160 | 0 to 11 |
| 247844 | 1/2, 3/4 and 1 | 2 | 1/4 NPT | 0 to 160 | 0 to 11 |
| 247863 | 1/2, 3/4 and 1 | 2 | 1/4 NPT | 0 to 300 | 0 to 20 |

Model 247843





Model G150



Model G503



Model G524



Model 846

Miscellaneous

Suction guns, oilers and measurers 222

Water controls 223



Suction guns

Model 615

Holds up to 18 oz. (532 cm³) of fluid. Flexible nozzle for transmission, differential or oil filter service. Precision follower fitted to barrel for superior suction and is impervious to oil, grease and water. Finished in rust-resistant, powder coated blue paint.

Model G150 suction gun

17 oz. (503 cm³) capacity with 12 in. (304,8 mm) flex hose. Perfect for draining and filling differentials, clutches, power steering reservoirs and transmissions. Needs no priming. Features heavy-duty steel barrel, electro-static, corrosion-resistant finish and non-slip knurling.



Oilers and measurers



Oiler cans

Guardian offers oilers in a variety of sizes with rigid or flexible spouts to fit your needs.

Oiler cans

| Model | Description |
|-------|---------------------------------|
| G502 | 6 oz. (170 ml), rigid spout |
| G503 | 6 oz. (170 ml), flexible spout |
| G504 | 12 oz. (340 ml), rigid spout |
| G507 | 16 oz. (454 ml), flexible spout |



Flexible spout measures

Guardian's flexible spout measures are designed for one-hand operation. Thumb-operated valve controls flow. 14 in. (355,6 mm) flexible spout with tapered tip swings into the necessary angle for hard-to-reach spots. Recessed bottom drains fully and guards against puncture. Rolled-edge top helps prevent spilling.

Flexible spout measures

| Model | Description | |
|-------|-------------|-------|
| | qt. | liter |
| G524 | 4 | 3,8 |
| G525 | 5 | 4,7 |
| G528 | 8 | 7,6 |



Water controls

Water controls

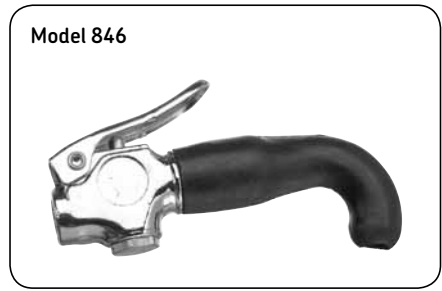
Model 846 water bibbcock

For attaching to water service hose.

- 1/4 in. NPT (f) inlet
- Thumb-action trigger. Built-in strainer filters out contaminants.

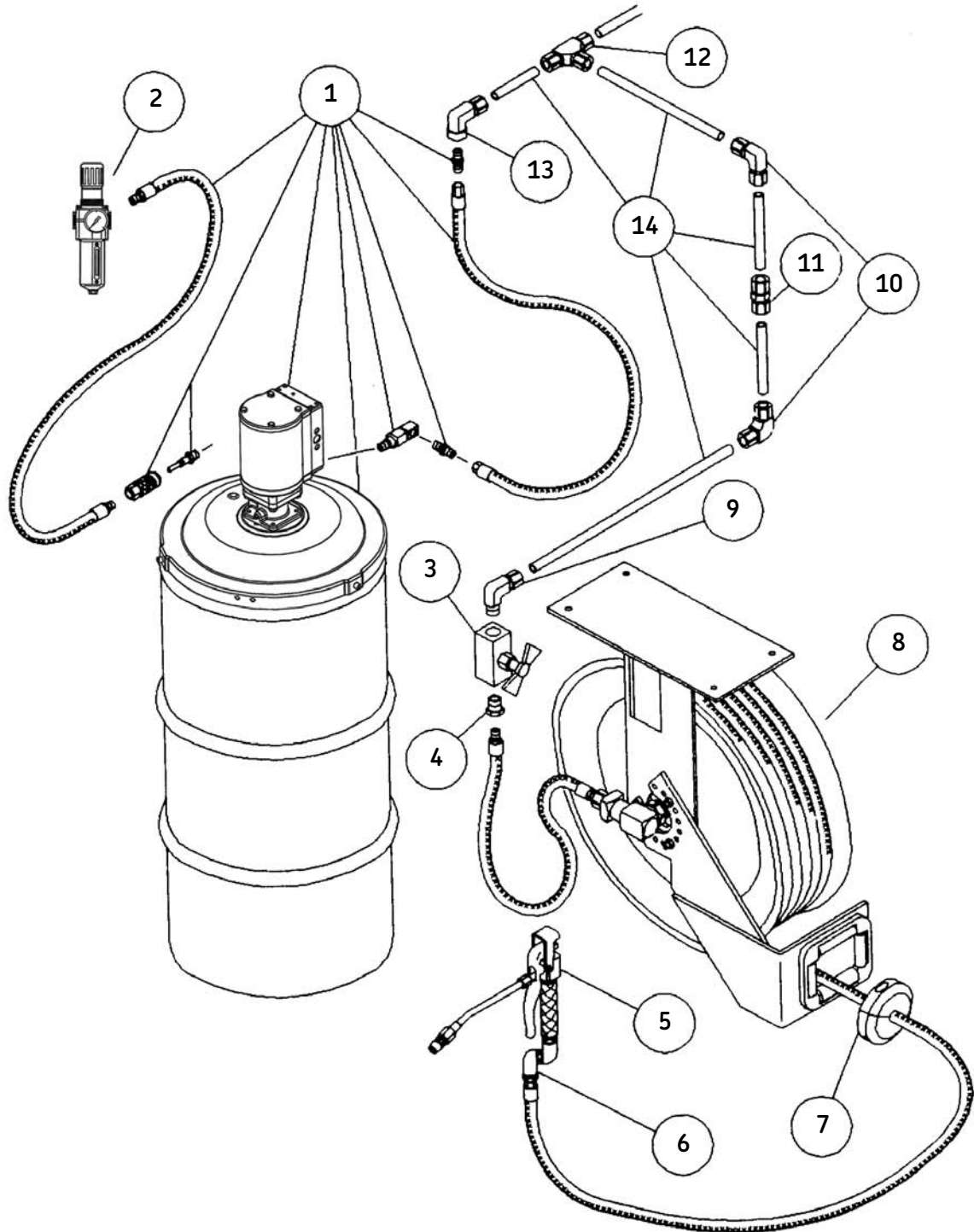
Model 845 water bibbcock

Same as model 846 except 3/4 – 1 1/2 in. AN inlet connects to standard lawn hose.



Air/water accessories

| Model | Description | Style |
|-------|------------------------|--------------------------------|
| – | in. | – |
| 815 | 1/4 (f) air coupler | Lincoln “long stem” |
| 845 | 3/4 – 1 1/2 AN inlet | Connects to standard lawn hose |
| 846 | 1/4 (f) water bibbcock | Low-pressure water |
| 11659 | 1/4 (m) air nipple | Lincoln “long stem” |
| 66951 | 1/4 (f) tire chuck | Standard tire chuck |



Typical installation, chassis grease

Typical installations

- Bulk oil systems, motor oil 226
- Chassis grease 228
- Pump and reel 230
- Typical fast lube systems 232
- Lubrication truck accessories 234
- Two oil products 236

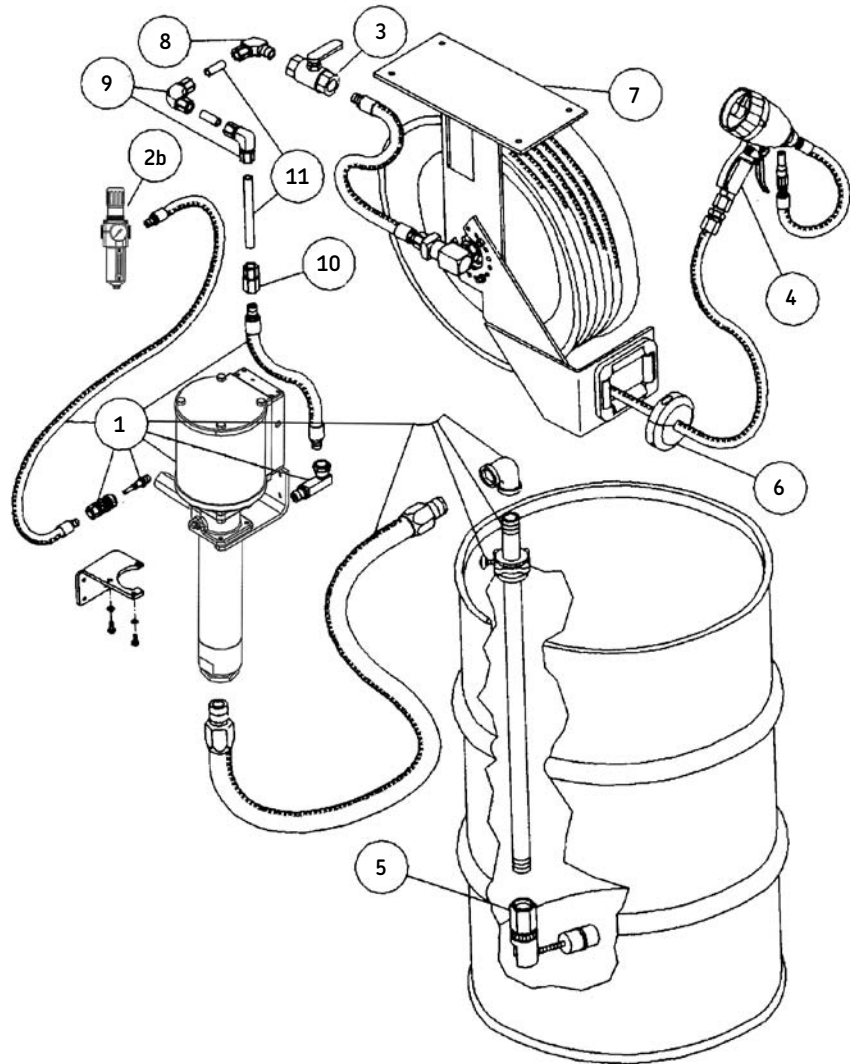
Single reel system from 55 gallon (208 liter) drum – bill of materials

| Model | Code | Required | Description |
|-----------|------|----------|---|
| V30500SWM | 1 | 1 | 5:1 PMV pump, hoses, air and fluid connectors, wall mount bracket, suction kit |
| 602136 | 2b | 1 | Modular airline regulator and filter with gauge 3/8 in. NPT (f) for PMV |
| 66084 | 3 | 1 | Medium-pressure quarter-turn shut-off valve 1/2 in. NPT (f) |
| 877 | 5 | 1 | Quart totalizing meter |
| 84946 | 5 | 1 | Low-level cutoff |
| 85517 | 6 | 1) | Adjustable |
| 85057 | 7 | 1 | Heavy-duty hose reel with hose and fluid connectors, 50 ft. (15,24 m) model 73600 hose |
| 2) | 8 | 3) | 5/8 in. OD union elbow, 1/2 in. NPT (m) |
| 2) | 9 | 3) | 5/8 in. OD 90° tube union |
| 2) | 10 | 3) | 5/8 in. OD tube connector, 1/2 in. NPT (f) |
| 2) | 11 | 3) | High-pressure tubing 5/8 in. OD x 0.083 wall |

1) Included in each reel assembly
 2) Available from local petroleum equipment service distributor
 3) Requirements vary per system

The following schematics and bills of material are of common lubrication systems. These depictions are for reference and as an aid in system design.

Variables such as length of pipe/tube run, temperature, location and other specific parameters of a system must be taken into consideration. Please refer to detailed specification information for system componentry in previous catalog pages.



WARNING!

For safe and proper use, always consult instructions accompanying product. See **Safety Warning Information** for appropriate warnings.

Single product to two reels – bill of materials

| Model | Code | Required | Description |
|-----------|------|----------|---|
| V305275BB | 1 | 1 | 5:1 PMV pump, hoses, air and fluid connectors, 275 gal. (1 041 liter) suction kit, bung bushing |
| 602136 | 2b | 1 | Modular airline regulator and filter with gauge 3/8 in. NPT (f) for PMV |
| 66084 | 3 | 1 | Medium-pressure quarter-turn shut-off valve 1/2 in. NPT (f) |
| 877 | 4 | 1 | Quart totalizing meter |
| 84946 | 5 | 1 | Low-level cutoff |
| 85517 | 6 | 1) | Adjustable |
| 85057 | 7 | 1 | Heavy-duty hose reel with hose and fluid connectors, 50 ft. (15,24 m) model 73600 hose |
| 2) | 8 | 3) | Nipple, 1/2 x 1/2 in. NPT (m) |
| 2) | 9 | 3) | 5/8 in. OD union elbow, 1/2 in. NPT (m) |
| 2) | 10 | 3) | 5/8 in. OD tube union tee |
| 2) | 11 | 3) | 5/8 in. union elbow, 1/2 in. NPT (m) |
| 2) | 12 | 3) | 5/8 in. OD 90° tube union |
| 2) | 13 | 3) | 5/8 in. OD tube connector, 1/2 in. NPT (f) |
| 2) | 14 | 3) | High-pressure tubing 5/8 in. OD x 0.083 wall, working pressure: 5 000 psi (345 bar) |
| 2) | 15 | 1 | Tank |

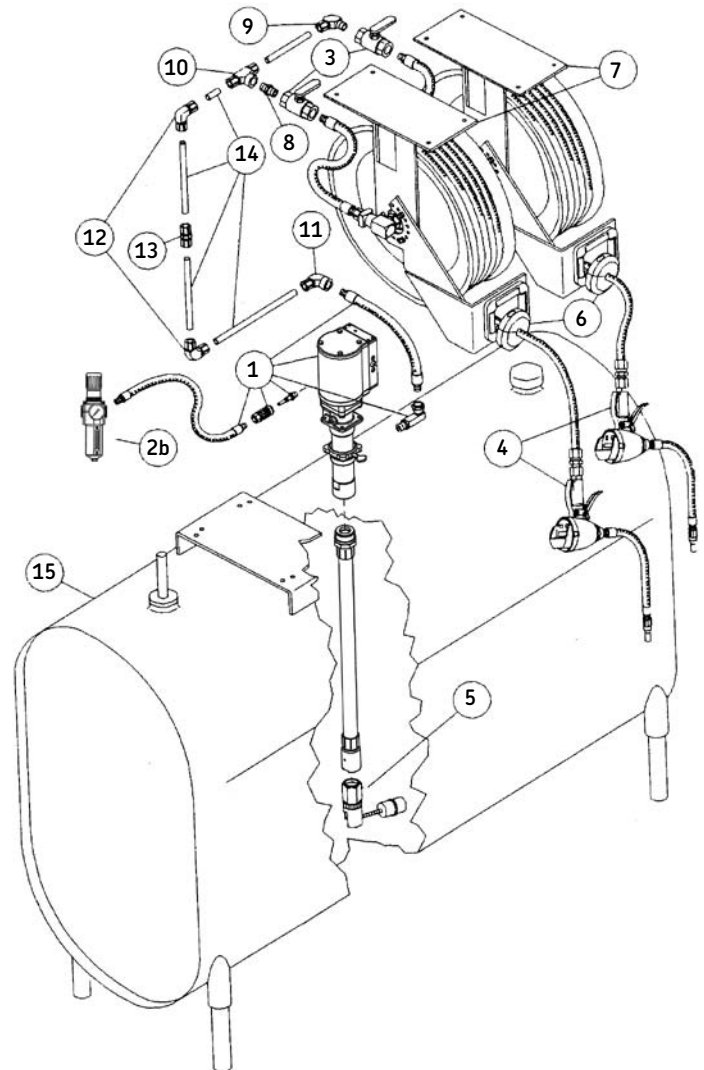
1) Included in 85057 reel assembly

2) Available from local petroleum equipment service distributor

3) Requirements vary per system.

WARNING!

For safe and proper use, always consult instructions accompanying product. See **Safety Warning Information** for appropriate warnings.



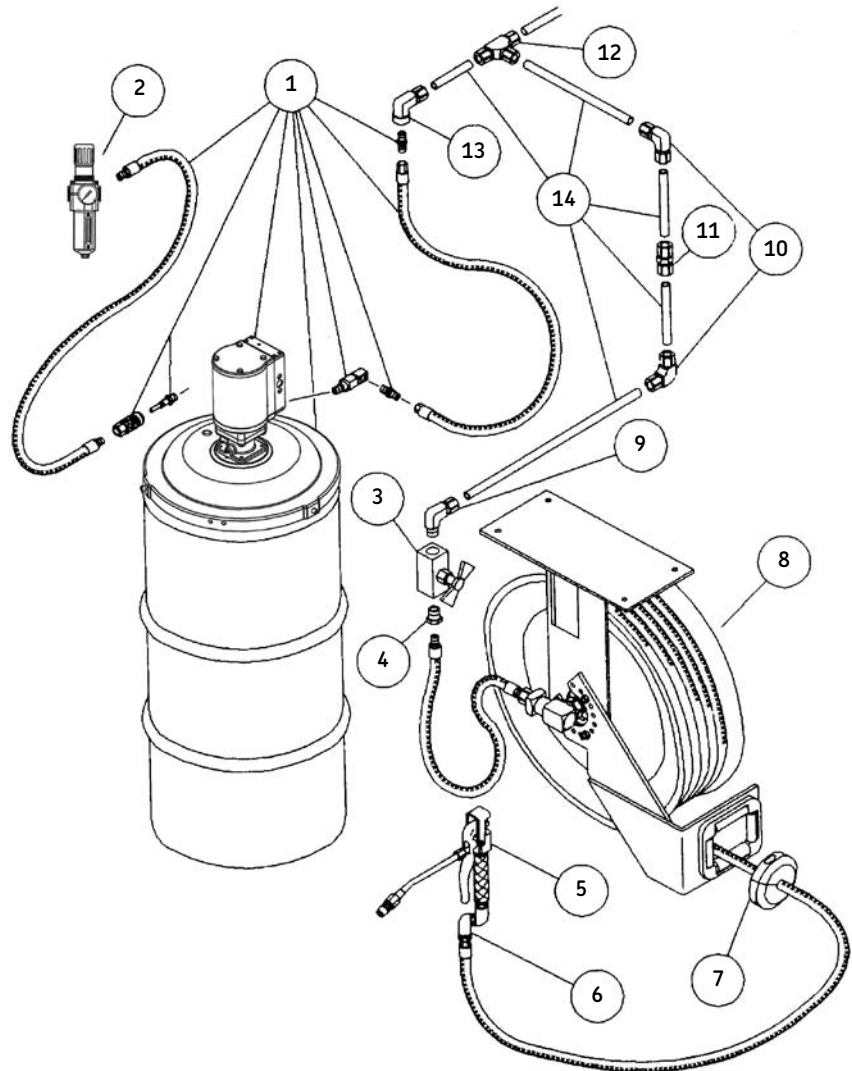
System from 120 lb. (54 kg) drum – bill of materials

| Model | Code | Required | Description |
|-----------|------|----------|--|
| V350120DC | 1 | 1 | 50:1 PMV pump, cover, follower, hoses, air and fluid connectors |
| 602136 | 2 | 1 | Modular airline regulator and filter with gauge 3/8 in. NPT (f) for PMV |
| 885 | 3 | 1 | High pressure |
| 12957 | 4 | 1 | Nipple, 1/2 in. NPT (m) x 1/2 in.-27 (m) |
| 740 | 5 | 1) | High pressure control valve 1/4 in. NPT (f) |
| 81387 | 6 | 1) | High pressure universal swivel, 1/4 in. NPT (m) x 1/2 in.-27 (m) |
| 85516 | 7 | 1) | Adjustable ball stop |
| 85050 | 8 | 1 | Heavy-duty hose reel with hose and lube connectors, 30 ft. (9,1 m) model 75360 hose |
| 2) | 9 | 3) | 5/8 in. OD tube elbow, 1/2 in. NPT (m) |
| 2) | 10 | 3) | 5/8 in. OD 90° elbow or union elbow |
| 2) | 11 | 3) | 5/8 in. OD tube union |
| 2) | 12 | 3) | 5/8 in. tube union tee |
| 2) | 13 | 3) | 5/8 in. OD tube elbow, 1/4 in. NPT (f) |
| 2) | 14 | 3) | High-pressure tubing 5/8 in. OD x 0.083 wall, working pressure: 5 000 psi (345 bar) |

1) Included in 85057 reel assembly

2) Available from local petroleum equipment service distributor

3) Requirements vary per system



Two delivery points from 400 lb. (181 kg) drum – bill of materials

| Model | Code | Required | Description |
|-----------|------|----------|--|
| V350400DC | 1 | 1 | 50:1 PMV pump, cover, hoses, air and lube connectors |
| 602136 | 2b | 1 | Modular airline regulator and filter with gauge 3/8 in. NPT (f) for PMV |
| 885 | 3 | 1 | High pressure |
| 12957 | 4 | 1 | Nipple, 1/2 in. NPT (m) x 1/2 in. -27 (m) |
| 740 | 5 | 1) | High pressure control valve 1/4 in. NPT (f) |
| 81387 | 6 | 1) | Universal |
| 85516 | 7 | 1) | Adjustable ball stop |
| 85050 | 8 | 1 | Heavy-duty hose reel with hose and lube connectors, 30 ft. (9,1 m) model 75360 hose |
| 85051 | 9 | 1 | Complete reel assembly with 50 ft. (15,24 m) 1/4 in. hose |
| 11197 | 11a | 2 | Steel hex nipple 1/2 in. NPT (m) |
| 2) | 11 | 3) | 5/8 in. OD tube elbow, 1/2 in. NPT (m) |
| 2) | 12 | 3) | 5/8 in. OD 90° union elbow |
| 2) | 13 | 3) | 5/8 in. OD tube union |
| 2) | 14 | 3) | 5/8 in. tube union tee |
| 2) | 15 | 3) | 5/8 in. OD tube elbow, 1/4 in. NPT (f) |
| 2) | 16 | 3) | 5/8 in. OD tube union tee, 1/2 in. NPT (f) |
| 2) | 17 | 3) | High-pressure tubing 5/8 in. OD x 0.083 wall, working pressure: 5 000 psi (345 bar) |

Model 85825 follower plate recommended for heavy greases and/or cold temperatures

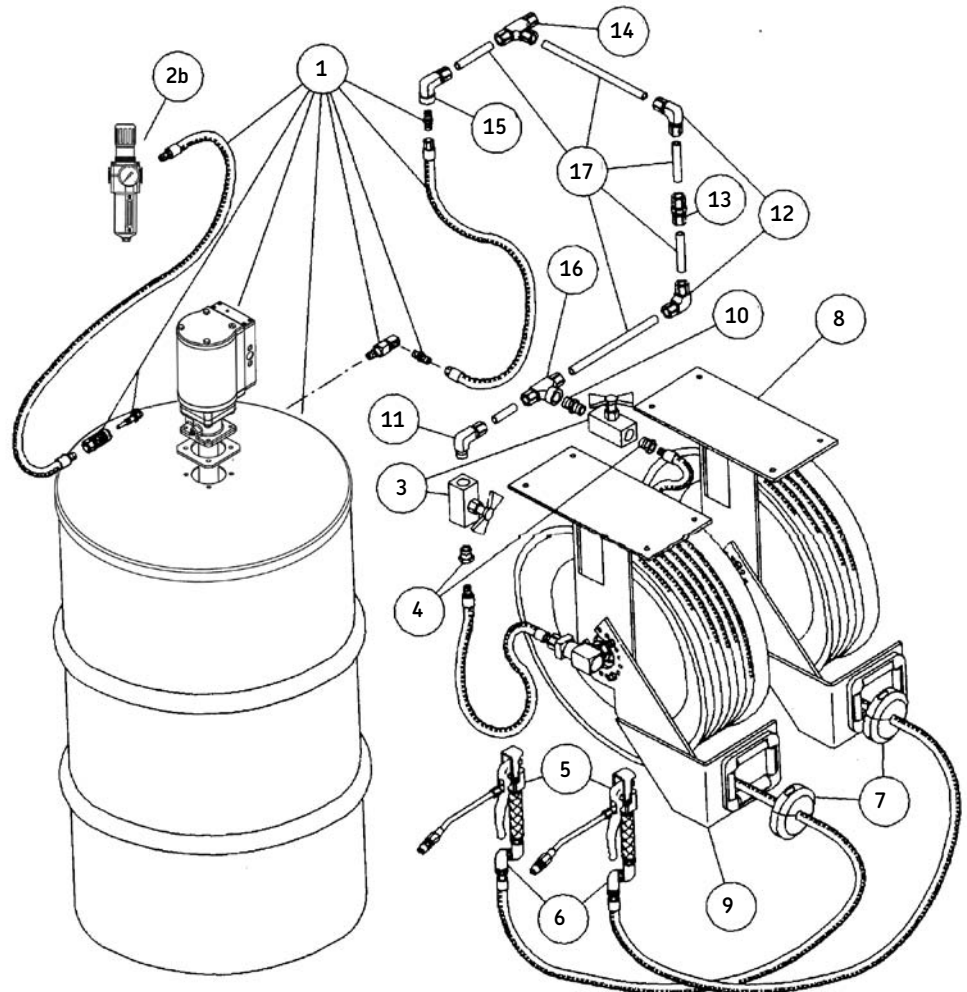
1) Included in model 85057 reel assembly

2) Available from local petroleum equipment service distributor

3) Requirements vary per system

WARNING!

For safe and proper use, always consult instructions accompanying product. See **Safety Warning Information** for appropriate warnings.



Typical installation – bill of materials, lubricating equipment

| Model | Code | Required | Description |
|------------------|------|----------|---|
| V450400DC | 1 | 1 | 50:1 PMV pump, air and grease, hoses, connectors |
| V410055BB | 2 | 1 | 10:1 PMV 55 gal. (208 liter) pump, air and oil hose, connectors, suction tube |
| V40600SWM | 3 | 1 | 6:1 PMV wall mount pump, connectors, suction tube, air and oil hoses |
| 85636 | 4a | | Dual inlet 1/2 in. air operated diaphragm pump for 50/50 antifreeze/water |
| 84817 | 4b | 1 | Wall mount bracket |
| 84945 | 4c | 1 | 1) |
| V305275BB | 1 | 1 | 5:1 PMV pump, hoses, air and fluid connectors, 275 gal. (1 041 liter) suction kit, bung bushing |
| 85051 | 9 | 1 | Complete reel assembly with 50 ft. (15,24 m) 1/4 in. hose |
| 85055 | 7 | 1 | Gear lubricant reel |
| 85061 | 8 | 1 | Motor oil reel |
| 85064 | 9 | 1 | Antifreeze reel |
| 85061 | 10 | 1 | ATF reel |
| 85063 | 11 | 1 | Air service reel |
| 85242 | 12 | 6 | Mounting rail assembly |
| 602136 | 2b | 1 | Modular airline regulator and filter with gauge 3/8 in. NPT (f) for PMV |
| 602134 | 15 | 2 | Air regulator (with gauge) 1/4 in. NPT (f) |
| 85825 | 5b | 1 | Follower plate for PMV |
| Others | 17 | 2 | 275 gal. (1 041 liter) ob-round tank |

¹⁾ Quantities vary with installation

Typical installation – bill of materials, lubricant supply lines

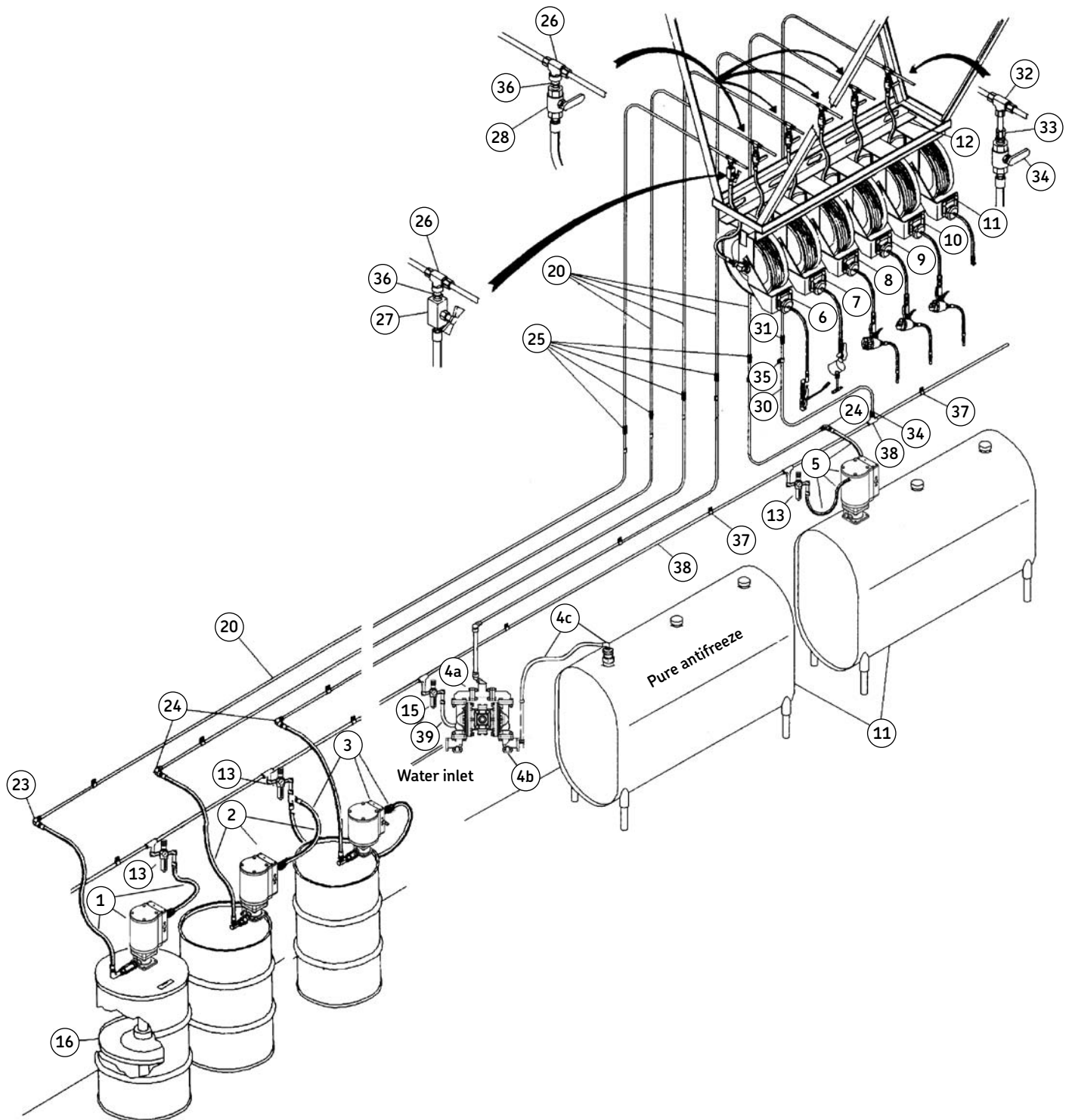
| Model | Code | Required | Description |
|--------------|------|----------|--|
| 2) | 20 | 3) | High-pressure steel tubing 5/8 in. OD x 0.083 wall, 20 ft. (6,1 m) lengths |
| 2) | 21 | 3) | Medium-pressure steel tubing 5/8 in. OD x 0.049 wall, 20 ft. (6,1 m) lengths |
| 2) | 22 | 3) | Alternate for antifreeze 15 PVC or copper pipe |
| 2) | 23 | 1 | 5/8 in. OD tube elbow, 1/2 in. NPT (m) |
| 2) | 24 | 4 | 5/8 in. OD tube elbow, 1/2 in. NPT (f) |
| 2) | 25 | 5 | 5/8 in. OD tube union |
| 2) | 26 | 5 | 5/8 in. OD tube union tee, 1/2 in. NPT (f) |
| 885 | 3 | 1 | High pressure |
| 66084 | 3 | 1 | Medium-pressure quarter-turn shut-off valve 1/2 in. NPT (f) |
| 12080 | 29 | 1 | Bushing 1/4 in. NPT (f) x 1/2 in. NPT (m) |

²⁾ Available from local petroleum equipment service distributor
³⁾ Quantities vary with installation

Typical installation – bill of materials, air supply lines

| Model | Code | Required | Description |
|---------------|------|----------|--|
| 4) | 30 | 5) | Low-pressure copper tubing 3/8 in. OD or 1/2 in. OD |
| 4) | 30 | 5) | 1/2 in. schedule 40 galvanized steel pipe |
| 4) | 31 | 1 | Union |
| 4) | 32 | 1 | Tee |
| 4) | 33 | 2 | Connector 1/2 in. NPT (m) |
| 66084 | 3 | 1 | Medium-pressure quarter-turn shut-off valve 1/2 in. NPT (f) |
| 360108 | 35 | 5) | Tube clip for 1/2 in. OD tubing, 7/32 in. diameter hole |
| 11197 | 11a | 2 | Steel hex nipple 1/2 in. NPT (m) |
| 4) | 37 | 5) | Pipe clamp for 1/2 in. pipe |
| 4) | 38 | 5) | 1/2 in. schedule 40 ASTM A53 butt-welded pipe and malleable fittings |
| 72060 | 39 | | 5 ft. (1,524 m) low-pressure connecting hose |

⁴⁾ Available from local petroleum equipment service distributor
⁵⁾ Quantities vary with installation



Typical fast lube system – bill of materials, lubrication console

| Model | Code | Required | Description |
|-------|------|----------|---|
| * | 1 | 1 | Lubrication console |
| 967 | 2 | 2 | Oil electronic digital meter |
| 967 | 3 | 1 | ATF electronic digital meter |
| 846 | 4 | 2 | 1/4 in. (f) water bibbcock |
| 80423 | 5 | 1 | Tire inflator with gauge |
| 85515 | 6 | 3 | Adjustable |
| 66084 | 3 | 1 | Medium-pressure quarter-turn shut-off valve 1/2 in. NPT (f) |
| 73240 | 8 | 3 | 1/2 in. x 20 ft. (6,1 m) hose assembly (HO and ATF) |
| 72240 | 9 | 2 | 1/4 in. x 20 ft. (6,1 m) hose assembly (WW and AF) |
| 72240 | 10 | 1 | 1/4 in. x 20 ft. (6,1 m) air hose assembly |

* Available from local petroleum equipment service distributor

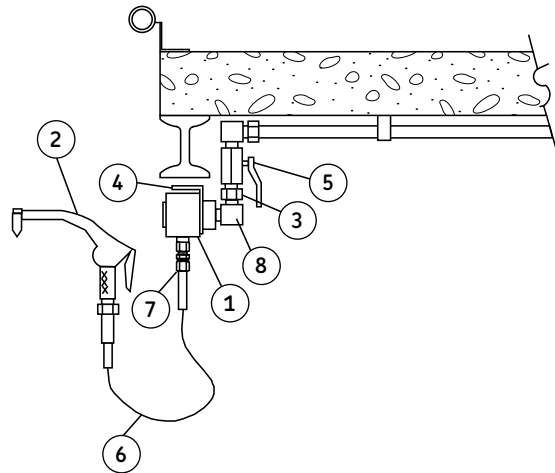
Typical fast lube system – bill of materials, rolling drain pan

| Model | Code | Required | Description |
|--------|------|----------|-------------------------------|
| 84700 | 1 | 2 | Rolling drain pan |
| 241409 | 3 | 2 | 1 in. (25,4 mm) fluid nipple |
| 241408 | 4 | 2 | 1 in. (25,4 mm) fluid coupler |

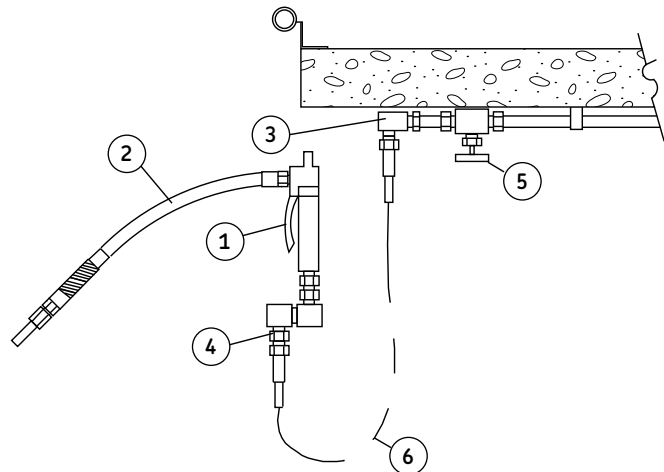
Typical fast lube system – bill of materials, gear oil control valve

| Model | Code | Required | Description |
|-------|------|----------|---|
| 870 | 1 | 1 | Pint oil meter |
| 780 | 8 | 1 | Gear oil |
| 11197 | 11a | 2 | Steel hex nipple 1/2 in. NPT (m) |
| 66084 | 3 | 1 | Medium-pressure quarter-turn shut-off valve 1/2 in. NPT (f) |
| 73120 | 6 | 1 | Gear oil hose 1/2 in. x 10 ft. (3 m) |
| 90464 | 7 | 1 | Swivel assembly |
| 67074 | 8 | 1 | Street ell 1/2 in. NPT |

Gear oil control valve



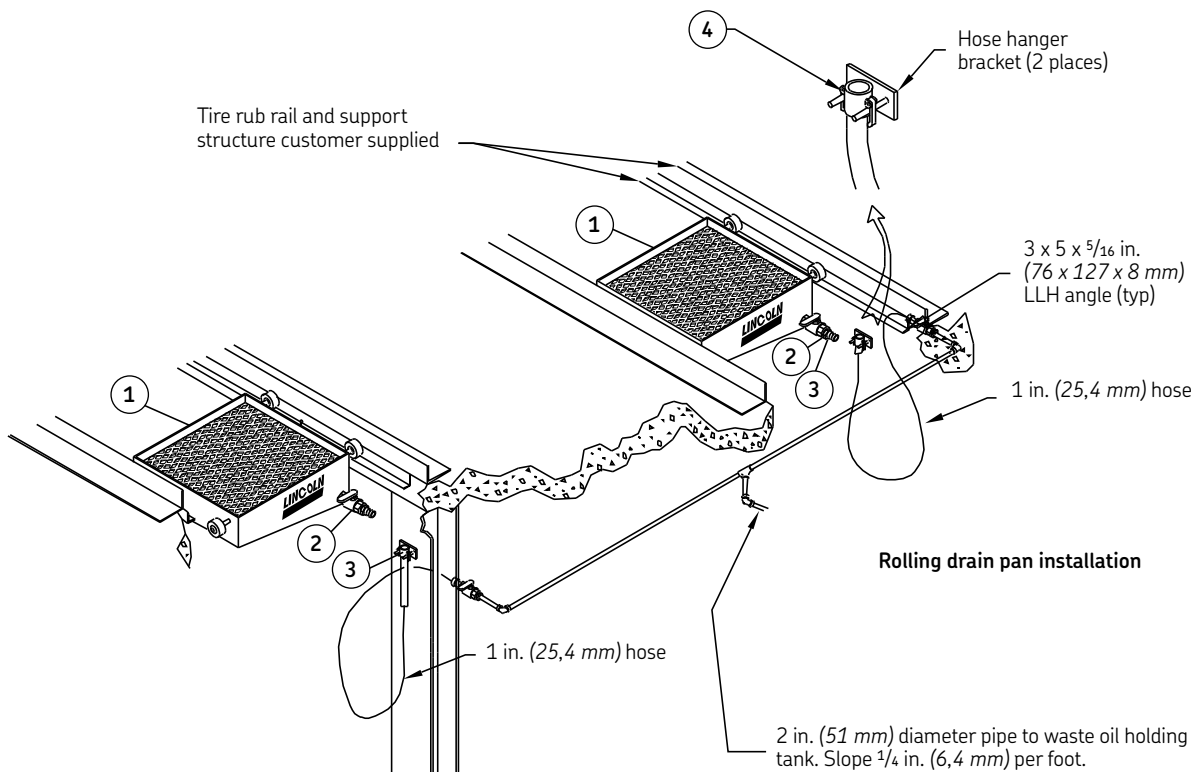
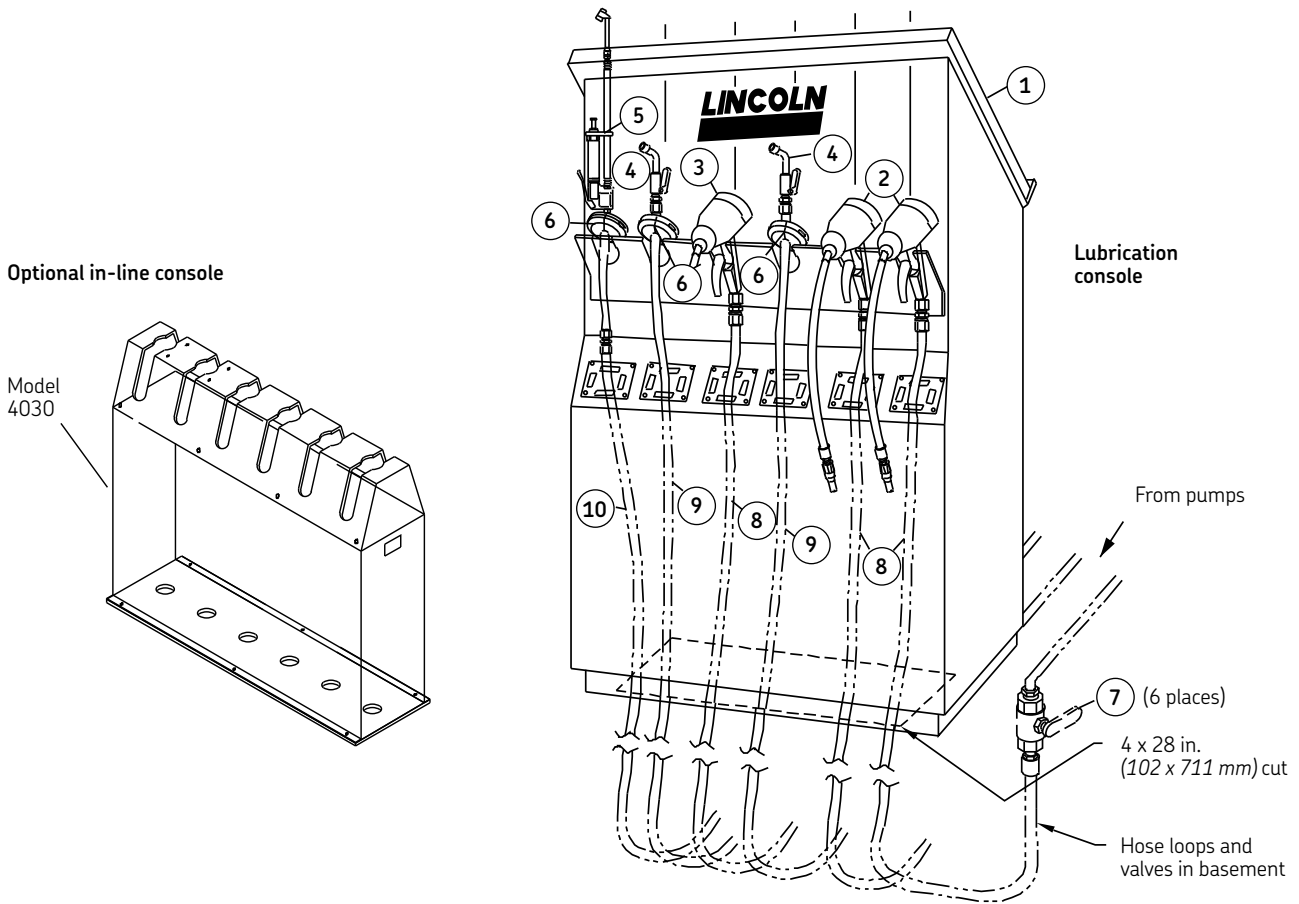
Chassis control valve



Typical fast lube system – bill of materials, chassis control valve

| Model | Code | Required | Description |
|-------|------|----------|---|
| 740 | 6 | * | High-pressure control valve 1/4 in. NPT (f) |
| 5861 | 2 | 1 | 36 ft. (11 m) whip hose |
| 81974 | 3 | 1 | 90° angle |
| 778 | 5 | 1 | High-pressure |
| 75120 | 6 | 1 | 10 ft. (3 m) chassis grease hose |

* Available from local petroleum equipment service distributor



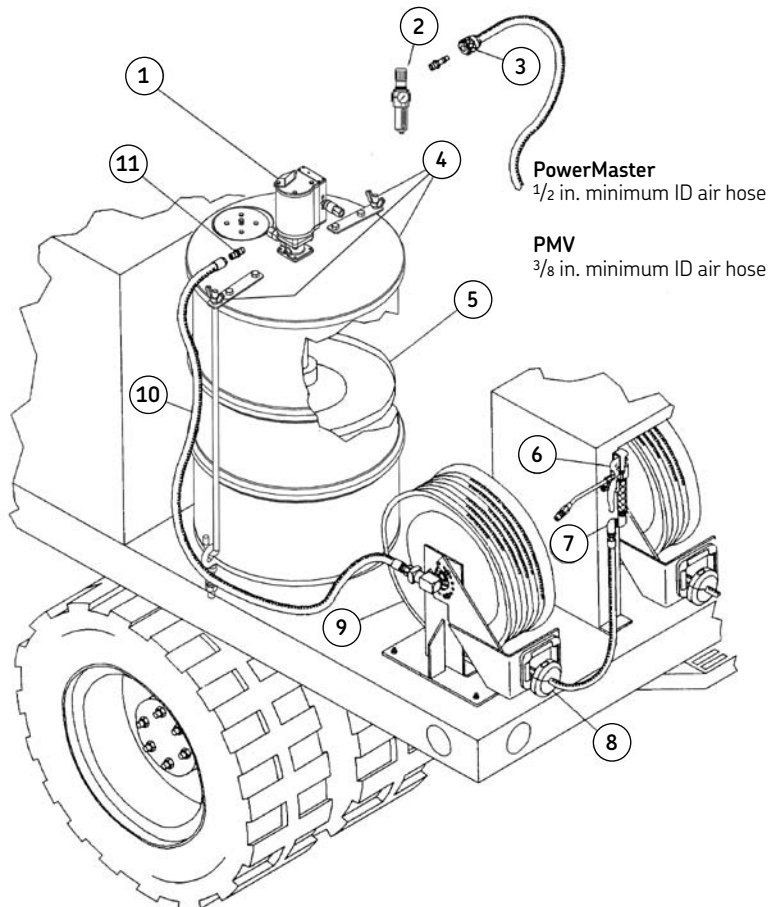
Lube truck grease application – bill of materials

| Model | Code | Required | Description |
|----------|------|----------|---|
| 1904 | 1a | 1 | 75:1 PowerMaster II pump |
| 2004 | 1b | 1 | 75:1 PowerMaster III pump |
| 85388-12 | 2a | 1 | Air regulator 3/4 in. NPT (m) |
| 652008 | 3 | 1 | Air socket (f) for 1/2 in. ID hose |
| 81482 | 4a | 1 | 400 lb. (181 kg) drum cover with pump mounting flange and tie rod assemblies for PowerMaster II |
| 84318 | 4b | 1 | 400 lb. (181 kg) drum cover with tie downs for PowerMaster III |
| 84963 | 4b | 1 | Flange mount kit for PowerMaster III |
| 83369 | 5a | 1 | Follower plate |
| 740 | 6 | * | High-pressure control valve 1/4 in. NPT (f) |
| 85516 | 8 | * | Adjustable ball stop |
| 85051 | 9 | 1 | Complete reel assembly with 50 ft. (15,24 m) 1/4 in. hose |
| 76120B | 10 | 1 | High-pressure hose 3/8 in. NPT (f) |
| 11197 | 11a | 2 | Steel hex nipple 1/2 in. NPT (m) |

* Included in model 85051 reel assembly.

Lube truck grease application – bill of materials, PMV

| Model | Code | Required | Description |
|-----------|------------|----------|---|
| V450400LT | 1c, 4c, 3c | | PMV 50:1 pump, drum, tie downs, air, connectors, elbow union |
| 602136 | 2b | 1 | Modular airline regulator and filter with gauge 3/8 in. NPT (f) for PMV |
| 85825 | 5b | 1 | Follower plate for PMV |
| 10773 | 11b | | 3/8 x 1/4 in. adapter for PMV |



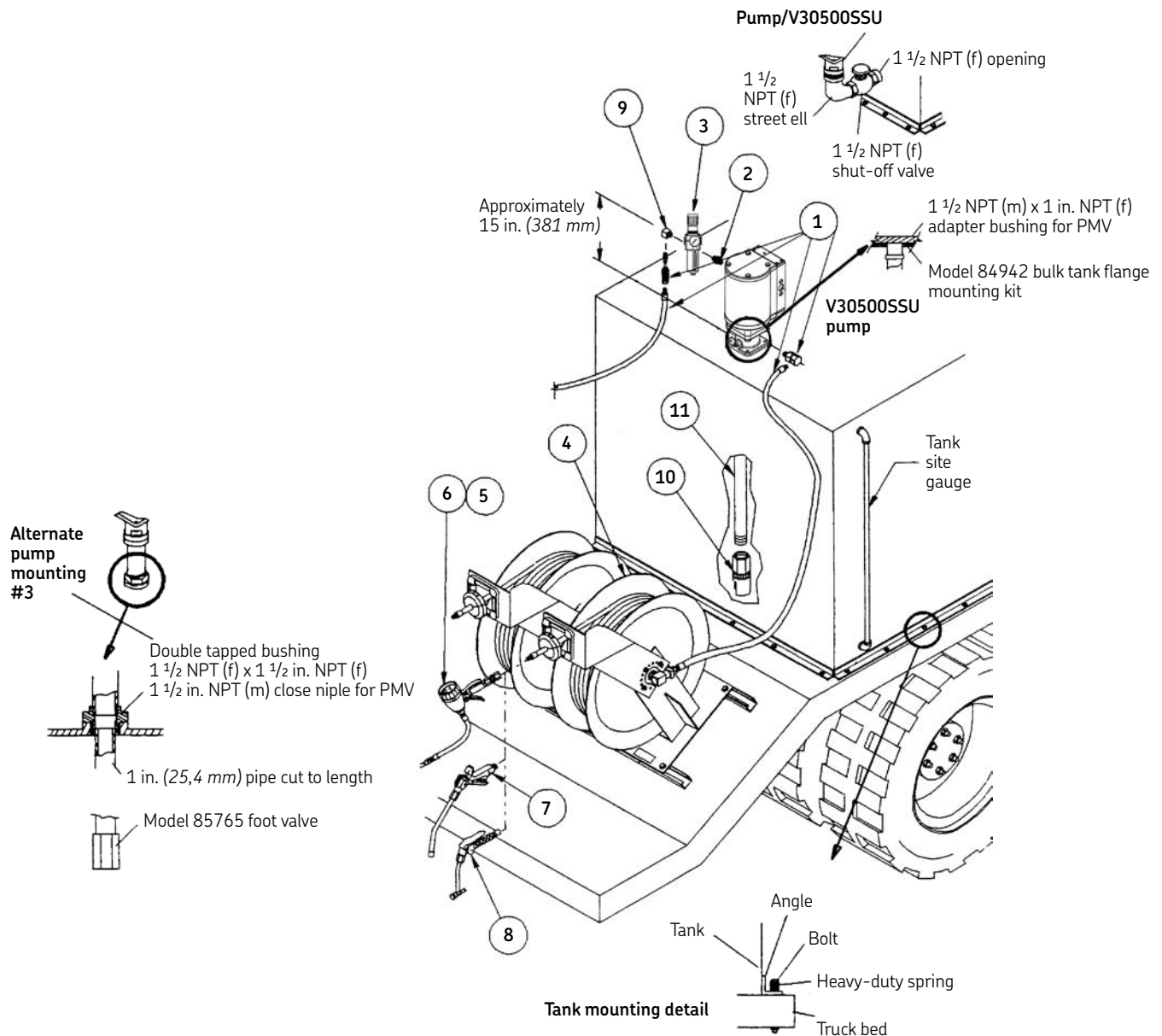
Lube truck oil application – bill of materials

| Model | Code | Required | Description |
|---------------|------|----------|---|
| V30500SSU | 1 | 1 | 5:1 PMV stub pump, air and fluid hose, connectors ²⁾ |
| 602136 | 2b | 1 | Modular airline regulator and filter with gauge $\frac{3}{8}$ in. NPT (f) for PMV |
| 83463-30 | 4a | 1 | Heavy-duty hose reel with 30 ft. (9,1 m) $\frac{1}{2}$ in. hose |
| 83464-50 | 4b | 1 | Heavy-duty hose reel with 50 ft. (15,24 m) $\frac{1}{2}$ in. hose |
| 85765 | 10 | 1 | Foot valve |
| ¹⁾ | 11 | 1 | 1 in. NPT black pipe cut to fit, adapt to $1\frac{1}{2}$ in. NPT (f) |
| ¹⁾ | 2 | 1 | $\frac{3}{8}$ x $\frac{3}{8}$ in. nipple |
| 67358 | 9 | 2 | Street ell $\frac{3}{8}$ in. |

¹⁾ Available from local petroleum equipment service distributor
²⁾ Longer hoses may be required

Lube truck application – meter control valve options

| Model | Code | Required | Description |
|-------|------|----------|-------------------------|
| 867 | 5 | 1 | Gallon totalizing meter |
| 877 | 5 | 1 | Quart totalizing meter |
| 883 | 5 | 1 | Quart totalizing meter |
| 899 | 5 | 1 | Liter totalizing meter |
| 878 | 5 | 1 | Pint totalizing meter |
| 3867 | 6 | 1 | Preset quart meter |
| 3868 | 6 | 1 | Preset gallon meter |
| 3942 | 6 | 1 | Preset liter meter |
| 775 | 7 | 1 | Heavy-duty volume |
| 776 | 7 | 1 | Heavy-duty volume |
| 780 | 8 | 1 | Gear oil |



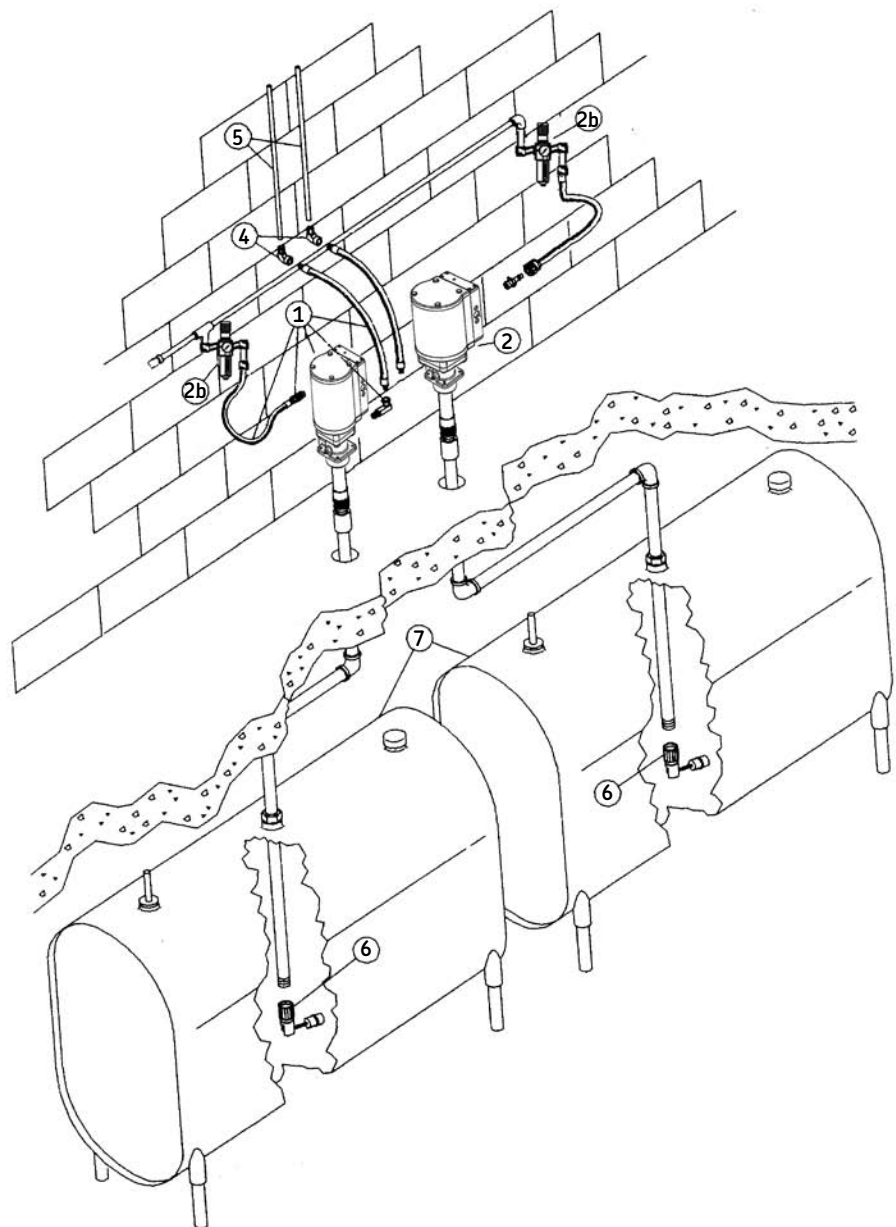
Standpipe, pump station, basement tanks¹⁾ – bill of materials

| Model | Code | Required | Description |
|-----------|------|----------|--|
| V30500SSU | 1 | 1 | 5:1 PMV stub pump, air and fluid hose, connectors |
| V41000SSU | 2 | 1 | 10:1 PMV stub/universal pump with hose and connectors |
| 602136 | 2b | 1 | Modular airline regulator and filter with gauge 3/8 in. NPT (f) for PMV |
| 2) | 4 | 3) | 5/8 in. OD tube elbow 1/2 in. NPT (f) |
| 2) | 5 | 3) | High pressure tubing 5/8 in. OD x 0.083 wall |
| 82439 | 6 | 2 | Low-level cutoff |
| 2) | 7 | 2 | 275 gallon (1 041 liter) oblong-round tank |

¹⁾ Underground tanks would be similar

²⁾ Available from local petroleum equipment service distributor

³⁾ Requirements vary per system



WARNING!

Equipment contained in this catalog can generate very high fluid pressure. Before each use, make sure safety devices are in place and operating properly. Do not alter or modify any part of the equipment as this may cause fire, explosion, property damage, or result in serious bodily injury, including injecting fluid through the skin or splashing in the eyes. To reduce the risk of serious bodily injury or property damage, never exceed the maximum air or fluid working pressure of the lowest rated system component. Always read and follow the manual included with the equipment for more detailed information.

Failure to heed these warnings may result in personal injury and/or property damage.

WARNING!

Pump models with ratios 6:1 to 49:1
 930, 931, 934, 935, 936, 1901, 1902, 1903, 1905, 1906, 1909, 1914, 1932, 1933, 1934, 1937, 1938, 1939, 1951, 1952, 1955, 1996, V410000000, V406000000, V40600SSU, V40600SWM, V41000SSU, V410055DC, V410055BB, V41000SWM, V410055LB, V410055LT

These pumps can develop up to 1 000 psi (69 bar) working pressure 200 psi (14 bar) maximum incoming air pressure. Be sure that all system equipment and accessories are rated to withstand the maximum working pressure of this pump. **Do not** exceed the maximum working pressure of the lowest rated component in the system.

WARNING!

Models 1272, 1273D, 1276, 1292, 1297

Be sure that all accessories are rated to withstand the maximum working pressure of the pump. **Do not** exceed the maximum working pressure of the lowest rated component in the system.

WARNING!

Pump models with ratios 1:1 to 5:1

2424, 2434, 2435, 2435LN, 2437, 485, 486, 594, 595, 596, 597, 1931, 1936, 1940, 282133, 282396, 282398, 282686, 2532, 2535, 2535LN, 2537, 282990, 284168, 284230, 284231, 284288, 284295, 284840, 284842, 282846, 284852, 284855, 284856, 284862, 284870, 285133, 285168, 285230, 285231, 285295, 285686, 285990, 84829, 84933, 84934, V305000000, V30500SSU, V305055BB, V305016DC, V305275BB, V30500SWM, V305055LT

These pumps can develop up to 1 000 psi (69 bar) working pressure 200 psi (14 bar) maximum incoming air pressure. Be sure that all system equipment and accessories are rated to withstand the maximum working pressure of this pump. **Do not** exceed the maximum working pressure of the lowest rated component in the system.

WARNING!

Pump models with ratios 50:1 to 75:1

918, 923, 926, 1418, 1426, 1904, 1910, 1911, 1935, 1941, 9917, 9989, 82050, 82054, 82716, 82991, 83122, 84683, 84684, 84667, 84668, V350120000, V350400000, V350400DC, V305275BB, V350120DC, V350120HF, V350400HF, V350120LT, V350400LT, V4501200000, V4504000000, V450120DC, V450400DC, V450400HF, V450400HR, V450120LT, V450400LT

These pumps can develop up to 1 000 psi (69 bar) working pressure 200 psi (14 bar) maximum incoming air pressure. Be sure that all system equipment and accessories are rated to withstand the maximum working pressure of this pump. **Do not** exceed the maximum working pressure of the lowest rated component in the system.

Important: Accessory item "whip" hoses for dispensing valve are fluid pressure rated 4 500 psi (310 bar). **Do not** exceed 90 psi (6 bar) air pressure to pump when using "whip" hoses.

Do not use any whip hose with any pump rated over 50:1 ratio.

WARNING!

Swivel models 80353, 80924, 81386, 81387, 81388, 81606, 81703, 81723, 81728, 81729, 81974, 82071, 82072, 82073, 82080, 82087, 82249, 82251, 82252, 82399, 82677, 83594, 82822, 83938

Material use: Lincoln swivels are to be used only to transport grease, oil and other lubricants and are designed only for these non-abrasive and non-corrosive purposes. **Do not** use with abrasive and corrosive materials such as sound-deadening materials which may contain limestone and mica particles. Transport of such materials causes rapid premature wear to critical swivel components and can cause failure of swivel. Failure could expose the user to severe bodily injury, permanent disfigurement or death.

Installation and service: Tighten all fluid connections securely before using swivel. Never exceed 5 000 psi (345 bar) maximum operating pressure. Never alter or modify any part of the swivel. Never attempt to repair or disassemble the swivel while the system is pressurized. Never stop or deflect leaks with hand or body.

Medical attention: Get medical attention immediately if exposed to high-pressure fluids. Tell the attending physician what was injected.

| Designation | Page |
|-------------|-------------------|
| AC2440 | 16 |
| G100 | 19 |
| G103 | 19 |
| G112 | 22 |
| G113 | 22 |
| G150 | 23, 189, 220, 222 |
| G160 | 22 |
| G212 | 25 |
| G212S | 25 |
| G218 | 25 |
| G218S | 25 |
| G300 | 22, 28 |
| G400 | 124 |
| G401 | 126 |
| G402 | 127 |
| G502 | 222 |
| G503 | 220, 222 |
| G504 | 222 |
| G507 | 222 |
| G524 | 220, 222 |
| G525 | 222 |
| G528 | 222 |
| G904 | 37 |
| G905 | 37 |
| K00000SSU | 47, 49 |
| K000016DC | 47 |
| K000055BB | 47, 50 |
| K000055LB | 50 |
| K000055LT | 48, 50 |
| K000275BB | 48 |
| K050120DC | 55, 57 |
| K050120LT | 56, 58 |
| K050400DC | 55, 57 |
| K050400LT | 56, 58 |
| K40600SSU | 49 |
| MV6410 | 125 |
| MV7201 | 190 |
| MV7300 | 190 |
| MV7400 | 190 |
| MVA7205 | 190 |
| RPM7 | 110 |
| RPM8 | 110 |
| RPM10 | 110 |
| V305000000 | 44, 47, 48 |
| V30500SSU | 47, 235, 236 |
| V30500SWM | 48, 226 |
| V305016DC | 47 |
| V305055BB | 47 |
| V305055LT | 48 |
| V305275BB | 48, 227, 230 |
| V340HH | 51 |
| V350035000 | 114 |
| V350120000 | 55, 56, 114 |
| V350120DC | 55, 228 |
| V350120HF | 56 |
| V350120LT | 56 |
| V350400000 | 54, 55, 56 |
| V350400DC | 55, 229 |
| V350400HF | 56 |
| V350400LT | 56 |
| V406000000 | 44, 49 |
| V40600SSU | 49 |
| V40600SWM | 49, 230 |
| V410000000 | 44, 49, 50 |
| V41000SSU | 49, 236 |
| V41000SWM | 50 |
| V410055BB | 50, 230 |
| V410055DC | 49 |
| V410055LB | 50 |

| Designation | Page |
|-------------|---|
| V410055LT | 50 |
| V450120000 | 54, 57, 58 |
| V450120DC | 57 |
| V450120LT | 58 |
| V450400000 | 57, 58 |
| V450400DC | 57, 230 |
| V450400HF | 58 |
| V450400LT | 58, 234 |
| 224 | 38 |
| 346P | 115 |
| 500L | 121 |
| 527 | 125 |
| 527A | 125 |
| 535 | 124 |
| 535LN | 124 |
| 535-58 | 124 |
| 549 | 124 |
| 549-58 | 124 |
| 613 | 173, 188, 189 |
| 613DK | 188, 189 |
| 613DKS | 188 |
| 615 | 23, 189, 222 |
| 674 | 95, 115, 118, 125 |
| 716F | 154 |
| 716R | 154 |
| 740 | 114, 115, 116, 137, 141, 149, 150, 152, 228, 229, 232, 234 |
| 758 | 154 |
| 758F | 154 |
| 769 | 154 |
| 774 | 154 |
| 775 | 154, 235 |
| 776 | 150, 154, 235 |
| 778 | 60, 70, 232 |
| 779 | 154 |
| 780 | 123, 142, 149, 154, 232, 25 |
| 814 | 129, 160 |
| 815 | 63, 65, 66, 73, 74, 75, 76, 109, 113, 115, 116, 123, 138, 143, 149, 163, 186, 196, 200, 223 |
| 816 | 6, 38, 160 |
| 840 | 162, 199 |
| 844 | 39 |
| 845 | 163, 223 |
| 846 | 138, 143, 149, 163, 220, 223, 232 |
| 867 | 157, 235 |
| 870 | 123, 160, 232 |
| 871 | 160 |
| 873 | 160 |
| 876 | 157 |
| 877 | 142, 149, 150, 157, 226, 227, 235 |
| 878 | 142, 149, 157, 235 |
| 881 | 157 |
| 883 | 149, 157, 235 |
| 884 | 70 |
| 885 | 70, 228, 229, 230 |
| 899 | 157, 235 |
| 905 | 44, 150, 155 |
| 905SF | 155 |
| 916EF | 156 |
| 916ER | 156 |
| 917 | 115 |
| 917-57 | 115 |
| 918 | 73, 77 |
| 923 | 77 |
| 926 | 73, 77 |
| 926-1 | 73 |
| 939 | 200 |
| 940 | 162, 199 |

| Designation | Page | Designation | Page |
|-------------|----------------------------|-------------|---------------------|
| 947 | 156 | 1444 | 13 |
| 950 | 162, 199 | 1444 | 15 |
| 953 | 44 | 1550 | 191 |
| 954 | 44 | 1709 | 92, 94 |
| 960 | 162, 199 | 1716 | 94 |
| 961 | 160 | 1800 | 13 |
| 962 | 150, 160 | 1801 | 13, 14, 15 |
| 963 | 160 | 1815A | 15 |
| 964 | 160 | 1855A | 11, 15 |
| 967 | 109, 143, 156, 232 | 1842 | 13, 15 |
| 980 | 109, 110, 156 | 1844 | 13, 15 |
| 981 | 156 | 1850 | 11, 15 |
| 982 | 110, 149, 150, 156 | 1860 | 6, 10, 11 |
| 987 | 116 | 1861 | 11, 14 |
| 989 | 116 | 1862 | 11 |
| 1013 | 18, 20, 21 | 1864 | 11 |
| 1035 | 20, 21 | 1870 | 9, 15 |
| 1037 | 20, 21 | 1871 | 9, 14, 15 |
| 1100CLR | 24 | 1875A | 9, 15 |
| 1107CLR | 24 | 1880 | 6, 8, 9, 14 |
| 1132 | 22 | 1882 | 9 |
| 1133 | 22 | 1884 | 9 |
| 1134 | 6, 22 | 1901 | 87, 90 |
| 1134CLR | 24 | 1902 | 91 |
| 1142 | 6, 18, 19 | 1903 | 91 |
| 1142CLR | 24 | 1904 | 87, 91, 234 |
| 1145 | 20, 21 | 1907 | 91 |
| 1147 | 19 | 1908 | 91 |
| 1148 | 18, 19 | 1910 | 91 |
| 1148CLR | 24 | 1914 | 51, 87, 90, 92, 108 |
| 1151 | 19 | 1931 | 91 |
| 1162 | 6, 17, 26 | 1932 | 91 |
| 1200 | 14 | 1933 | 91 |
| 1201 | 14, 15 | 1935 | 91 |
| 1210 | 14, 15 | 1940 | 91 |
| 1215 | 15 | 1951 | 90 |
| 1215A | 15 | 1952 | 90 |
| 1218 | 15, 26 | 2001 | 79, 84 |
| 1224 | 15, 26 | 2002 | 86 |
| 1230 | 12, 13, 14, 15, 16, 17, 26 | 2004 | 85, 234 |
| 1236 | 11, 15, 26 | 2008 | 85 |
| 1240 | 14 | 2010 | 85 |
| 1240CLR | 24 | 2011 | 85 |
| 1242 | 14 | 2014 | 84 |
| 1244 | 14 | 2028 | 85 |
| 1253 | 124 | 2029 | 85 |
| 1253LN | 124 | 2051 | 84 |
| 1254 | 124 | 2052 | 84 |
| 1272 | 120 | 2331 | 106 |
| 1275 | 120 | 2332 | 106 |
| 1292 | 120 | 2333 | 106 |
| 1293 | 124 | 2424 | 65, 67 |
| 1296 | 121 | 2435 | 123 |
| 1326 | 126 | 2435LN | 123 |
| 1335 | 126 | 2437 | 65, 67 |
| 1340 | 126 | 2524 | 66, 67 |
| 1385 | 127 | 2535 | 123 |
| 1385-H | 127 | 2537 | 66, 67 |
| 1387 | 127 | 2710 | 86 |
| 1400 | 13 | 2716 | 94 |
| 1401 | 13, 14, 15 | 2740 | 75, 77 |
| 1410 | 13, 15 | 2790 | 86 |
| 1414 | 15 | 2873 | 123, 160 |
| 1418 | 75, 77 | 3029 | 27, 152 |
| 1426 | 75, 77 | 3034 | 27, 152 |
| 1426-1 | 75 | 3050 | 44, 137, 152 |
| 1440 | 12, 14 | 3055 | 27 |
| 1440CLR | 24 | 3056 | 27 |
| 1442 | 13, 15 | 3189 | 149 |

| Designation | Page |
|-------------|-----------------------------------|
| 3190 | 149 |
| 3191 | 149 |
| 3192 | 149 |
| 3193 | 149 |
| 3194 | 149 |
| 3195 | 149 |
| 3196 | 149 |
| 3197 | 149 |
| 3198 | 149 |
| 3199 | 149 |
| 3289 | 149 |
| 3291 | 149 |
| 3294 | 149 |
| 3295 | 149 |
| 3296 | 149 |
| 3297 | 149 |
| 3601 | 168, 172, 173 |
| 3602 | 173, 175, 177, 186, 193 |
| 3605 | 187 |
| 3608 | 189 |
| 3610 | 173, 175 |
| 3612 | 192, 193 |
| 3614 | 168, 172, 173 |
| 3617 | 173, 174, 175, 177, 186, 193 |
| 3618 | 173, 174, 175, 177, 186, 193 |
| 3624 | 172, 173 |
| 3626 | 174, 175 |
| 3627 | 174, 175 |
| 3635 | 170, 171, 173, 177, 186 |
| 3637 | 171, 177, 186 |
| 3639 | 171, 173, 177, 186 |
| 3644 | 173, 188, 189 |
| 3650 | 168, 173, 175, 176, 177, 186, 193 |
| 3652 | 173, 175, 177, 185, 186, 193 |
| 3662 | 168, 181, 182 |
| 3665 | 178 |
| 3667 | 178 |
| 3669 | 178 |
| 3675 | 168, 173, 175, 177, 192, 193 |
| 3677 | 173, 175, 177, 192, 193 |
| 3866 | 142, 155 |
| 3867 | 150, 155, 235 |
| 3868 | 155, 235 |
| 3942 | 155, 235 |
| 4030 | 233 |
| 4100 | 183, 184 |
| 4102 | 183, 184 |
| 4104 | 183, 184 |
| 4105 | 180, 184 |
| 4110 | 184 |
| 4262 | 110 |
| 4265 | 110 |
| 4283 | 109, 110 |
| 4417 | 117, 119 |
| 4459 | 117, 119 |
| 4475 | 113 |
| 4480 | 113 |
| 4489 | 117, 119 |
| 4490 | 112 |
| 4491 | 109, 112 |
| 4492 | 112 |
| 4493 | 109 |
| 4607 | 78 |
| 5000 | 34 |
| 5000C | 34, 35 |
| 5300C | 34 |
| 5003 | 34 |
| 5003C | 34 |
| 5010 | 34 |

| Designation | Page |
|-------------|---------------------|
| 5010C | 34 |
| 5013 | 34 |
| 5013C | 34 |
| 5031 | 35 |
| 5031C | 35 |
| 5033 | 35 |
| 5033C | 35 |
| 5050 | 34 |
| 5050C | 34 |
| 5175 | 37 |
| 5175C | 35 |
| 5176 | 35 |
| 5176C | 35 |
| 5177 | 35 |
| 5177C | 35 |
| 5178 | 35 |
| 5178C | 35 |
| 5179 | 35 |
| 5179C | 35 |
| 5180 | 35 |
| 5180C | 35 |
| 5181 | 35 |
| 5181C | 35 |
| 5182 | 35 |
| 5182C | 35 |
| 5183 | 35 |
| 5183C | 35 |
| 5184 | 33 |
| 5185 | 33 |
| 5186 | 33 |
| 5190 | 32 |
| 5191 | 32 |
| 5200 | 34 |
| 5200C | 34 |
| 5210 | 34 |
| 5210C | 34 |
| 5290 | 32 |
| 5291 | 32 |
| 5300 | 34 |
| 5318 | 35 |
| 5350 | 34 |
| 5350C | 34 |
| 5385 | 35 |
| 5385C | 35 |
| 5400 | 34 |
| 5400C | 34 |
| 5410 | 34 |
| 5410C | 34 |
| 5468 | 32 |
| 5469 | 32 |
| 5470 | 6, 32 |
| 5490 | 32 |
| 5491 | 32 |
| 5527 | 34 |
| 5527C | 34 |
| 5701 | 35 |
| 5701C | 35 |
| 5706 | 35 |
| 5706C | 35 |
| 5803 | 31 |
| 5805 | 31 |
| 5806 | 31 |
| 5807 | 31 |
| 5812 | 25, 27, 152 |
| 5818 | 25, 27, 152 |
| 5834 | 30, 122 |
| 5845 | 21, 27, 28, 30, 152 |
| 5848 | 28, 30 |
| 5849 | 30, 31 |

| Designation | Page | Designation | Page |
|-------------|---|-------------|--|
| 5852 | 16, 21, 22, 28, 30, 31, 120 | 66101 | 203 |
| 5852-5 | 28 | 66111 | 203 |
| 5852-8 | 28 | 66493 | 189 |
| 5852-54 | 28 | 66764 | 92 |
| 5853 | 30 | 66883 | 70 |
| 5855 | 30, 31 | 66951 | 138, 143, 149, 163, 200, 223 |
| 5858 | 27 | 66953 | 37 |
| 5859 | 30, 31 | 67069 | 143 |
| 5861 | 25, 27, 152, 232 | 67074 | 232 |
| 5862 | 197 | 67171 | 147 |
| 5874 | 47, 48, 49, 50, 55, 56, 57, 58, 114, 197 | 67358 | 235 |
| 5875 | 47, 48, 49, 50, 55, 56, 57, 58, 114, 197 | 68410 | 157 |
| 5876 | 197 | 69375 | 70 |
| 5883 | 29, 30 | 69423 | 70 |
| 5884 | 30, 31 | 69425 | 70 |
| 5980 | 162, 199 | 69503 | 70 |
| 5983 | 200 | 69524 | 69 |
| 5990 | 162, 199 | 69690 | 154 |
| 6917 | 115 | 69824 | 154 |
| 9917 | 114 | 69825 | 154 |
| 9917-57 | 114 | 70526 | 189 |
| 9989 | 114 | 71512 | 25 |
| 10049 | 143 | 71518 | 22, 25 |
| 10130 | 70 | 72024 | 63, 142, 147, 149 |
| 10198 | 55, 57, 70, 147 | 72024A | 47, 49, 142, 147, 149 |
| 10199 | 70, 147 | 72036 | 69, 73, 75, 147 |
| 10200 | 70, 147 | 72060 | 65, 66, 69, 147, 230 |
| 10202 | 70, 147 | 72120 | 147 |
| 10204 | 70, 147 | 72240 | 147, 232 |
| 10460 | 29 | 72360 | 138, 142, 147, 149 |
| 10461 | 33 | 72360A | 138, 147 |
| 10462 | 70, 113 | 72480A | 142, 147 |
| 10522 | 70, 147 | 72600 | 138, 142, 143, 147, 149 |
| 10536 | 29 | 72600A | 138, 142, 143, 147 |
| 10540 | 70 | 72720A | 138, 142, 147 |
| 10773 | 234 | 72900A | 147 |
| 10787 | 36 | 73024 | 47, 49, 63, 137, 141, 142, 143, 146, 149 |
| 11107 | 70 | 73036 | 69, 146 |
| 11197 | 70, 147, 230, 232, 234 | 73060 | 47, 48, 49, 50, 65, 66, 69, 123, 146 |
| 11485 | 37 | 73120 | 146, 232 |
| 11509 | 37 | 73240 | 141, 146, 232 |
| 11659 | 63, 65, 66, 73, 74, 75, 76, 109, 113, 115, 116, 138, 143, 149, 163, 196, 200, 223 | 73360 | 137, 141, 142, 143, 146, 149 |
| 11660 | 196 | 73480 | 141, 146 |
| 11661 | 196 | 73600 | 137, 141, 142, 143, 146, 149, 226, 227 |
| 11852 | 70, 147 | 73720 | 137, 146 |
| 12018 | 89 | 73900 | 146 |
| 12080 | 143, 230 | 74024 | 138, 142, 143, 147 |
| 12287 | 147 | 74060 | 147 |
| 12296 | 70 | 74480 | 142, 147 |
| 12957 | 70, 141, 147, 228, 229 | 74560 | 124, 125 |
| 13001 | 159 | 74600 | 138, 142, 147 |
| 13329 | 197 | 74900 | 147 |
| 13331 | 197 | 75024 | 137, 141, 146, 149 |
| 16177 | 92 | 75060 | 55, 57, 57, 73, 75, 146 |
| 20026 | 36 | 75084 | 75, 114, 115, 116, 146 |
| 20028 | 36 | 75120 | 146, 232 |
| 20029 | 36 | 75168 | 146 |
| 31138 | 29 | 75240 | 146 |
| 45987 | 39 | 75360 | 137, 141, 146, 149, 228, 229 |
| 46007 | 64, 66, 73, 75, 114, 115, 122 | 75480 | 141, 146 |
| 58000 | 31 | 75600 | 137, 141, 146, 149 |
| 62028 | 21, 30 | 75912CL | 25 |
| 62061 | 30 | 75918CL | 25 |
| 62117 | 30 | 75924CL | 25 |
| 66060 | 95, 118, 119 | 75936CL | 25 |
| 66084 | 53, 70, 226, 227, 230, 232 | 76024A | 141, 146 |
| 66100 | 203, 205 | 76024B | 137, 141, 146 |

| Designation | Page |
|-------------|---|
| 76120B | 146, 234 |
| 76360B | 141, 146 |
| 76600A | 141, 146 |
| 76600B | 137, 141, 146 |
| 78024 | 141 |
| 78600 | 141 |
| 79060 | 120 |
| 80133 | 121 |
| 80202 | 55, 56, 57, 58, 73, 74, 75 |
| 80423 | 200, 232 |
| 80599 | 124 |
| 80895 | 95, 114, 115, 118, 123, 124, 125 |
| 80924 | 122 |
| 80933 | 27, 29, 120, 122 |
| 80999 | 124, 125 |
| 81133 | 135 |
| 81168 | 122 |
| 81323 | 135 |
| 81387 | 114, 115, 116, 137, 141, 149, 152, 153, 228, 229 |
| 81386 | 153 |
| 81412 | 95 |
| 81458 | 27, 29, 122 |
| 81482 | 92, 96, 234 |
| 81495 | 152 |
| 81523 | 66, 73, 75, 78 |
| 81538 | 95 |
| 81606 | 153 |
| 81673 | 122 |
| 81703 | 153 |
| 81723 | 153 |
| 81725 | 27, 152 |
| 81726 | 27, 152 |
| 81728 | 153 |
| 81729 | 44, 137, 153 |
| 81768 | 120, 122 |
| 81795 | 27, 31, 152 |
| 81974 | 153, 232 |
| 81980 | 30 |
| 82050 | 72, 73, 74, 77, 115 |
| 82054 | 72, 73, 77 |
| 82070 | 154, 158 |
| 82072 | 153 |
| 82073 | 153 |
| 82080 | 153 |
| 82087 | 153 |
| 82103 | 77 |
| 82157 | 152 |
| 82158 | 152 |
| 82164 | 148 |
| 82206 | 96, 130, 136, 140, 141, 142, 143, 148, 149 |
| 82230 | 107 |
| 82251 | 153 |
| 82252 | 153 |
| 82258 | 156, 157, 158 |
| 82393 | 152 |
| 82399 | 114, 115, 116, 153 |
| 82413 | 205 |
| 82415 | 157 |
| 82439 | 51, 68, 92, 236 |
| 82460 | 187 |
| 82642 | 154, 158 |
| 82715 | 107 |
| 82716 | 116 |
| 82730 | 90, 91, 92 |
| 82736 | 92 |
| 82737 | 91 |
| 82757 | 124, 125 |

| Designation | Page |
|-------------|---|
| 82760 | 22 |
| 82773 | 92 |
| 82784 | 31 |
| 82786 | 189 |
| 82790 | 90, 91, 92 |
| 82791 | 91 |
| 82792 | 91 |
| 82793 | 91 |
| 82841 | 91 |
| 82883 | 91 |
| 82895 | 90, 92 |
| 82906 | 150, 154 |
| 82932 | 154, 158 |
| 82979 | 92 |
| 82989 | 53, 60, 74, 76 |
| 82991 | 74, 77 |
| 83112 | 74, 77 |
| 83115 | 48, 50, 53, 56, 58, 60, 64, 65, 66, 74, 76 |
| 83119 | 96 |
| 83131 | 50, 93, 96 |
| 83132 | 92 |
| 83166 | 95 |
| 83271 | 91 |
| 83278 | 31 |
| 83366 | 73, 75, 78 |
| 83369 | 96, 234 |
| 83386 | 187 |
| 83447 | 78 |
| 83463 | 141 |
| 83463-30 | 141, 235 |
| 83464 | 141 |
| 83464-50 | 141, 235 |
| 83513 | 116 |
| 83594 | 153 |
| 83665 | 91 |
| 83727 | 93 |
| 83732 | 93 |
| 83753 | 130, 134 |
| 83754 | 134 |
| 83872 | 148 |
| 83938 | 153 |
| 84004 | 69 |
| 84080-9 | 111 |
| 84122 | 135, 146 |
| 84145-9 | 111 |
| 84147-9 | 111 |
| 84192 | 95, 118 |
| 84257 | 135, 145, 146 |
| 84273 | 96 |
| 84275 | 144, 145 |
| 84291 | 96 |
| 84299 | 96 |
| 84318 | 96, 234 |
| 84335 | 90, 91 |
| 84347 | 135, 141, 146 |
| 84377 | 95, 118 |
| 84432 | 144, 145 |
| 84433 | 130, 145 |
| 84458 | 161 |
| 84459 | 161 |
| 84460 | 161 |
| 84538 | 63, 65, 66, 68 |
| 84606 | 200 |
| 84667 | 72, 75, 76, 77 |
| 84668 | 72, 75, 76, 77 |
| 84672 | 96, 144, 145 |
| 84673 | 144, 145 |
| 84683 | 76, 77 |

| Designation | Page | Designation | Page |
|-------------|--|-------------|--|
| 84684 | 76, 77 | 85059 | 142 |
| 84700 | 181, 182, 232 | 85060 | 143 |
| 84714 | 179, 180 | 85061 | 143, 230 |
| 84722 | 95 | 85062 | 143 |
| 84723 | 93 | 85063 | 143, 230 |
| 84767 | 96 | 85064 | 143, 230 |
| 84775 | 78, 96, 114, 116, 119 | 85065 | 143 |
| 84767 | 96 | 85232 | 142 |
| 84780 | 39, 55, 57, 60, 73, 75, 78, 96, 114, 115, 116, 119, 121 | 85240 | 148 |
| | | 85242 | 148, 230 |
| 84768 | 96 | 85255 | 105 |
| 84799 | 159 | 85256 | 108 |
| 84803 | 84, 106 | 85257 | 184 |
| 84804 | 84, 85, 86, 106 | 85300 | 99, 102 |
| 84806 | 79, 106 | 85317 | 79 |
| 84815 | 108, 184 | 85387 | 194 |
| 84816 | 108, 184 | 85387-4 | 208, 209 |
| 84817 | 105, 230 | 85387-6 | 208, 209 |
| 84824 | 108, 184 | 85387-8 | 208, 209 |
| 84826 | 92 | 85387-12 | 210, 211 |
| 84829 | 107 | 85387-16 | 210, 211 |
| 84918 | 85 | 85388-4 | 208, 209 |
| 84919 | 85 | 85388-6 | 208, 209 |
| 84933 | 61, 62, 63, 66, 67 | 85388-8 | 208, 209 |
| 84934 | 63, 64, 67, 109, 110 | 85388-12 | 212, 213, 234 |
| 84935 | 63, 68 | 85389-8 | 208, 209 |
| 84940 | 64, 68 | 85389-12 | 212, 213 |
| 84941 | 64, 65, 66, 69, 74, 76, 119 | 85389-16 | 212, 213 |
| 84942 | 68, 235 | 85514 | 143 |
| 84945 | 48, 49, 50, 52, 64, 68, 92, 108, 230 | 85515 | 135, 137, 138, 142, 143, 146, 149, 232 |
| 84946 | 51, 64, 68, 226, 227 | 85516 | 135, 137, 138, 141, 142, 143, 146, 149, 228, 229, 234 |
| 84951 | 129 | 85517 | 135, 137, 138, 141, 142, 146, 149, 226, 227 |
| 84951-BK | 129 | 85544 | 161 |
| 84963 | 95, 96, 234 | 85545 | 161 |
| 84966 | 92 | 85621 | 104 |
| 84975 | 96 | 85622 | 103, 104, 164, 166 |
| 84977 | 85 | 85623 | 104 |
| 84984 | 92, 98, 99 | 85624 | 104 |
| 84985 | 80, 84, 92, 98, 99 | | |
| 84986 | 51, 84, 93, 98, 99 | 85626 | 104 |
| 84991 | 86, 101, 102 | 85627 | 104, 183 |
| 84992 | 101, 102 | 85628 | 103, 104 |
| 84993 | 101, 102 | 85629 | 104 |
| 84994 | 101, 102 | 85630 | 103, 104 |
| 84995 | 85, 86, 101, 102 | 85631 | 104, 183 |
| 84996 | 85, 101, 102 | 85632 | 104 |
| 84997 | 101, 102 | 85633 | 104 |
| 84998 | 85, 101, 102 | 85634 | 103, 104, 183 |
| 85001 | 142 | 85635 | 104 |
| 85002A | 142 | | |
| 85003-30 | 141 | 85636 | 230 |
| 85004 | 141 | 85637 | 104 |
| 85004-50 | 141 | 85638 | 104 |
| 85004-50B | 141 | 85639 | 104, 105 |
| 85005 | 142 | 85640 | 148 |
| 85006-30B | 141 | 85641 | 148 |
| 85008-50A | 141 | 85642 | 148 |
| 85009-50 | 141 | 85672 | 202, 214, 215 |
| 85010-50 | 142 | 85674 | 202, 214, 215 |
| 85011 | 142 | 85700-30 | 166 |
| 85012 | 142 | 85700-50 | 164, 166 |
| 85021 | 152 | 85716 | 64, 67, 68 |
| 85050 | 141, 228, 229 | 85755 | 64, 68 |
| 85051 | 141, 229, 230, 234 | 85765 | 64, 68, 235 |
| 85053 | 142 | 85799 | 159 |
| 85055 | 142, 230 | 85806 | 47, 52 |
| 85056 | 142 | 85807 | 47, 48, 49, 50, 52 |
| 85057 | 142, 226, 227, 229 | 85824 | 47, 48, 49, 50, 53, 68 |
| 85058 | 142 | 85825 | 57, 60, 229, 230, 234 |

| Designation | Page |
|-------------|-------------------------|
| 85826 | 47, 53, 55, 57, 60 |
| 85827 | 49, 53, 55, 57, 60 |
| 85829 | 56, 58 |
| 85922 | 80, 98, 106 |
| 85935 | 63, 68 |
| 85949 | 48, 64, 65, 66, 68, 110 |
| 86214 | 95 |
| 86300 | 97, 98, 100, 101 |
| 86400 | 97, 98, 100, 101 |
| 89010 | 144 |
| 90464 | 159, 232 |
| 90656 | 116 |
| 90776 | 37 |
| 91026 | 132 |
| 91027 | 132 |
| 91028 | 132 |
| 91029 | 132 |
| 91030 | 133 |
| 91031 | 130, 133 |
| 91032 | 133 |
| 91033 | 133 |
| 91034 | 133 |
| 91035 | 133 |
| 91108 | 22, 121 |
| 91197 | 189 |
| 91265 | 125 |
| 91499 | 116 |
| 92572 | 181 |
| 93547 | 125, 159 |
| 93548 | 155, 158 |
| 94000 | 108, 137, 139 |
| 94100 | 137, 138 |
| 94100DS | 139 |
| 94132 | 138 |
| 94132A | 138 |
| 94132W | 138 |
| 94133 | 138 |
| 94133A | 138 |
| 94133W | 138 |
| 94152 | 138 |
| 94152A | 138 |
| 94152W | 138 |
| 94153 | 138 |
| 94153A | 138 |
| 94153M | 138 |
| 94153W | 138 |
| 94154 | 130, 138 |
| 94154A | 138 |
| 94154DS | 139 |
| 94154M | 138 |
| 94154W | 138 |
| 94163 | 138 |
| 94163DS | 139 |
| 94200DS | 139 |
| 94273DS | 139 |
| 94274DS | 139 |
| 94300 | 137, 139 |
| 94300DS | 139 |
| 94334 | 109, 110, 137 |
| 94354 | 44, 109, 110, 136, 137 |
| 94354DS | 139 |
| 94364 | 137 |
| 94400 | 139 |
| 94400DS | 139 |
| 94474DS | 139 |
| 94500 | 137 |
| 94500DS | 139 |
| 94532 | 137 |
| 94532G | 137 |

| Designation | Page |
|-------------|--------------------------------|
| 94552 | 137 |
| 94552G | 137 |
| 94553 | 44, 137 |
| 94553DS | 139 |
| 94553H | 137 |
| 94600DS | 139 |
| 94673DS | 139 |
| 94804 | 86 |
| 102697 | 39 |
| 102891 | 38 |
| 102929 | 39 |
| 103307E | 36 |
| 103308E | 36 |
| 103309E | 36 |
| 236595 | 160 |
| 238394 | 196 |
| 240994 | 105 |
| 241408 | 175, 232 |
| 241409 | 175, 232 |
| 241584 | 47, 48, 49, 50, 63, 65, 66 |
| 241937 | 107 |
| 242749 | 157, 159 |
| 244390 | 175, 177, 180, 182 |
| 244391 | 175, 177, 180, 182 |
| 244398 | 79 |
| 245976 | 28 |
| 245978 | 28 |
| 245993 | 157 |
| 247748 | 188, 189 |
| 247770 | 216 |
| 247771 | 52, 59, 216 |
| 247772 | 216 |
| 247774 | 219 |
| 247775 | 218 |
| 247776 | 218 |
| 247777 | 218 |
| 247778 | 218 |
| 247782 | 216 |
| 247783 | 216 |
| 247787 | 217 |
| 247789 | 217 |
| 247791 | 217 |
| 247792 | 217 |
| 247793 | 217 |
| 247795 | 217 |
| 247797 | 218 |
| 247843 | 113, 203, 219 |
| 247844 | 203, 219 |
| 247863 | 203, 219 |
| 247925 | 145 |
| 247926 | 145 |
| 256200 | 70 |
| 260374 | 159 |
| 260375 | 159 |
| 260376 | 159 |
| 260377 | 159 |
| 260378 | 159 |
| 260380 | 154, 158 |
| 260381 | 154, 158 |
| 261102 | 113 |
| 261103 | 113 |
| 261104 | 113 |
| 261484 | 157, 159 |
| 272251 | 166 |
| 272391 | 155, 157, 158 |
| 273299 | 47, 48, 49, 50, 53, 55, 57, 60 |
| 273429 | 79 |
| 273508 | 154, 158 |
| 273607 | 184 |

| Designation | Page | Designation | Page |
|-------------|--------------------|-------------|--------------------|
| 273835 | 79 | 277601-4 | 105 |
| 273862 | 155, 157, 158 | 277601-5 | 105 |
| 274680 | 86 | 277633 | 167 |
| 274681 | 75 | 277635 | 167 |
| 274712 | 121 | 277645 | 180, 182, 184 |
| 274727 | 86 | 277693 | 161 |
| 274728 | 75 | 277694 | 161 |
| 274730 | 86 | 277695 | 161 |
| 274843 | 75, 86 | 277814 | 159 |
| 274879 | 184 | 278081 | 161 |
| 274932 | 56 | 278363 | 177 |
| 275183 | 78, 121 | 278364 | 177 |
| 275184 | 78, 120 | 278365 | 177 |
| 275197 | 51, 69 | 278366 | 177 |
| 275260 | 56, 58 | 278367 | 177 |
| 275370 | 114 | 278368 | 177 |
| 275398 | 48, 49, 50 | 378369 | 177 |
| 275413 | 48, 49, 50, 51 | 278370 | 177 |
| 275415 | 48, 56 | 278549 | 129 |
| 275416 | 50, 58, 60 | 278629 | 129 |
| 275631 | 104, 105 | 278697 | 173, 177 |
| 275632 | 104, 105 | 278749 | 134, 147 |
| 276280 | 158 | 278752 | 134, 147 |
| 276281 | 154, 156, 158 | 278802 | 175 |
| 276282 | 158 | 279135 | 134 |
| 276283 | 154, 156, 158 | 279136 | 134 |
| 276291 | 184 | 279147 | 161 |
| 276310 | 158 | 279149 | 161 |
| 276311 | 158 | 279150 | 161 |
| 276411 | 175, 177, 180, 182 | 280432 | 159 |
| 276751 | 177, 186 | 280433 | 159 |
| 276752 | 177, 186 | 280690 | 156 |
| 276753 | 177, 186 | 282133 | 65, 67 |
| 276754 | 177, 186 | 282396 | 61, 62, 63, 110 |
| 276755 | 177, 186 | 282396 | 65, 67 |
| 276756 | 177, 186 | 282398 | 63, 64, 67, 110 |
| 276757 | 177, 186 | 282842 | 156, 158 |
| 276758 | 177, 186 | 282843 | 156, 158 |
| 277020 | 53 | 282876 | 51, 69, 93 |
| 277090 | 175, 180, 184 | 282902 | 105 |
| 277208 | 175, 180, 184 | 282930 | 150, 154 |
| 277219 | 167 | 282951 | 154 |
| 277230 | 167 | 282957 | 51, 69, 93 |
| 277232 | 167 | 284168 | 65, 67 |
| 277233 | 167 | 284194 | 161 |
| 277234 | 167 | 284231 | 65, 67 |
| 277235 | 167 | 285133 | 66, 67 |
| 277236 | 167 | 285168 | 66, 67 |
| 277237 | 167 | 285231 | 66, 67 |
| 277238 | 167 | 360108 | 230 |
| 277239 | 167 | 360248 | 96 |
| 277254 | 167 | 384775 | 116 |
| 277255 | 167 | 600003 | 109, 110, 118, 202 |
| 277256 | 167 | 600004 | 194, 204, 205 |
| 277258 | 167 | 600006 | 204 |
| 277265 | 166 | 600008 | 204 |
| 277266 | 166 | 600012 | 204 |
| 277267 | 166 | 600016 | 204 |
| 277280 | 164, 166 | 600103 | 202 |
| 277281 | 166 | 600104 | 194, 204 |
| 277464 | 193 | 600106 | 204 |
| 277538 | 167 | 600108 | 204 |
| 277539 | 161 | 600112 | 204 |
| 277564 | 129 | 600116 | 204 |
| 277565 | 129 | 600203 | 202 |
| 277566 | 129 | 600204 | 194, 205 |
| 277601-1 | 51, 93 | 600206 | 205 |
| 277601-2 | 51, 93 | 600208 | 205 |
| 277601-3 | 69 | 600212 | 205 |

| Designation | Page | Designation | Page |
|-------------|--|-------------|------|
| 600216 | 205 | | |
| 600301 | 205 | | |
| 600401 | 109, 110, 118, 203 | | |
| 602003 | 75, 86, 113, 212, 213 | | |
| 602004 | 206, 207 | | |
| 602005 | 206, 207 | | |
| 602006 | 206, 207 | | |
| 602007 | 206, 207 | | |
| 602008 | 206, 207 | | |
| 602009 | 206, 207 | | |
| 602012 | 210, 211 | | |
| 602013 | 210, 211 | | |
| 602016 | 210, 211 | | |
| 602103 | 212, 213 | | |
| 602104 | 206, 207 | | |
| 602106 | 206, 207 | | |
| 602108 | 206, 207 | | |
| 602109 | 206, 207 | | |
| 602112 | 210, 211 | | |
| 602113 | 210, 211 | | |
| 602116 | 210, 211 | | |
| 602117 | 210, 211 | | |
| 602134 | 208, 209, 230 | | |
| 602136 | 52, 59, 208, 209, 226, 227, 228, 229, 230, 234, 235, 236 | | |
| 602138 | 208, 209 | | |
| 602203 | 202, 214, 215 | | |
| 602204 | 206, 207 | | |
| 602206 | 206, 207 | | |
| 602208 | 206, 207 | | |
| 602212 | 210, 211 | | |
| 602216 | 210, 211 | | |
| 630104 | 198 | | |
| 630204 | 198 | | |
| 632004 | 198 | | |
| 640104 | 198 | | |
| 640106 | 198 | | |
| 640204 | 198 | | |
| 640206 | 198 | | |
| 642006 | 198 | | |
| 650108 | 198 | | |
| 650208 | 198 | | |
| 652008 | 198, 234 | | |
| 653112 | 84, 85, 86, 90, 91, 106 | | |
| 655008 | 84, 85, 86, 90, 91, 106 | | |
| 802020 | 76 | | |
| 1230120 | 146 | | |



© SKF is a registered trademark of the SKF Group.

© Lincoln is a registered trademark of Lincoln Industrial Corp.

© PowerMaster, PileDriver and PowerLuber are registered trademarks of Lincoln Industrial Corp.

© SKF Group 2014

The contents of this publication are the copyright of the publisher and may not be reproduced (even extracts) unless prior written permission is granted. Every care has been taken to ensure the accuracy of the information contained in this publication but no liability can be accepted for any loss or damage whether direct, indirect or consequential arising out of the use of the information contained herein.

October 2014 • FORM 442869

