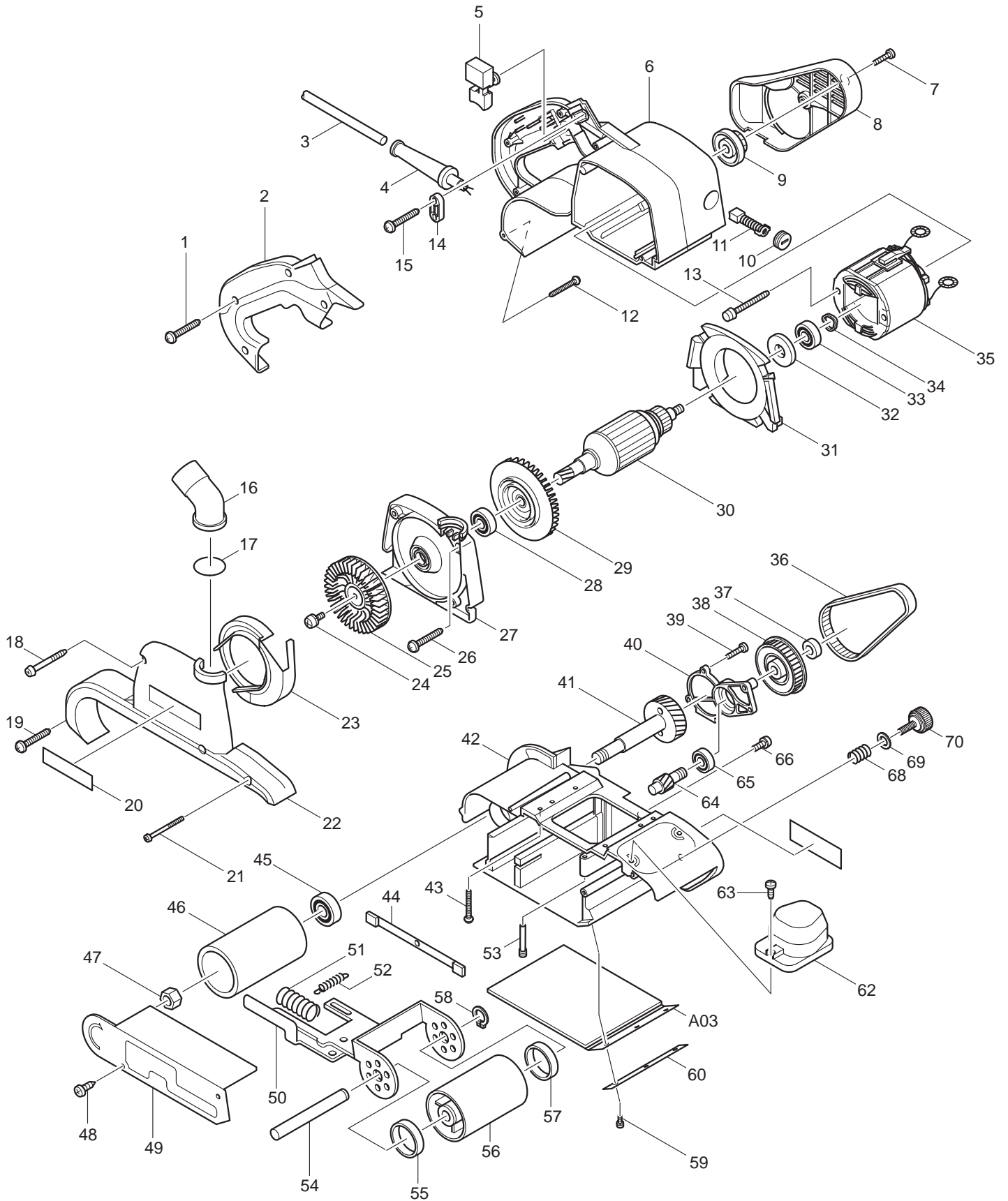




02 - 2010

9403

4"X24" BELT SANDER



Item No	Type	Ref	Part No	Description	Qty	Unit
1			265995-6	TAPPING SCREW 4X18	4	PC.
2			416496-9	HANDLE COVER	1	PC.
3			664276-9	CORD W/PLUG 2P-16-5.0M, SJ	1	PC.
4			682505-8	CORD GUARD 10-90	1	PC.
5	2		650230-9	SWITCH TGL115CDT-2	1	PC.
6			150981-9	MOTOR HOUSING COMPLETE	1	PC.
		INC.	643708-9	BRUSH HOLDER 5-11	2	PC.
7			266034-5	TAPPING SCREW CT 4X16	1	PC.
8			416495-1	BELT COVER	1	PC.
9			222147-2	PULLEY 10-24.1	1	PC.
10			643750-0	BRUSH HOLDER CAP	2	PC.
11	2		194996-6	CARBON BRUSH CB-303 2PC/SET (W/ ORIGIN)	1	SET
12			265995-6	TAPPING SCREW 4X18	1	PC.
13			266056-5	TAPPING SCREW 5X45	2	PC.
14			687063-9	CORD CLAMP	1	PC.
15			265995-6	TAPPING SCREW 4X18	2	PC.
16			416497-7	DUST NOZZLE	1	PC.
17			213415-4	O RING 28	1	PC.
18			266069-6	TAPPING SCREW 4X45	2	PC.
19			265995-6	TAPPING SCREW 4X18	1	PC.
20			819064-1	MAKITA MARK	1	PC.
21			266203-8	TAPPING SCREW BIND CT 4X40	1	PC.
22			317018-7	DUST COLLECTOR COVER	1	PC.
23			416494-3	SEPARATOR	1	PC.
24			911213-7	PAN HEAD SCREW M5X12	1	PC.
25			241662-7	FAN 80	1	PC.
26			265995-6	TAPPING SCREW 4X18	2	PC.
27			317021-8	DUST COLLECTOR BRACKET	1	PC.
28			211088-7	BALL BEARING 6000DDW	1	PC.
29			240013-1	FAN 84	1	PC.
30			516781-1	ARMATURE ASS'Y 115V	1	PC.
		INC.		Item No. 28,29,32,33		
31			416498-5	BAFFLE PLATE	1	PC.
32			681649-1	INSULATION WASHER	1	PC.
33			211088-7	BALL BEARING 6000DDW	1	PC.
34	2		267715-4	WAVE WASHER 20	1	PC.
35			596191-8	FIELD ASS'Y 115V	1	PC.
		INC.	654020-2	RING TERMINAL	1	PC.
		INC.	654502-4	CONNECTOR P-2	1	PC.
36			225081-5	SYNCHRO BELT	1	PC.
37			931503-2	HEX. NUT M10	1	PC.
38			222148-0	PULLEY 11-55.6	1	PC.
39			266034-5	TAPPING SCREW CT 4X16	3	PC.
40			317020-0	GEAR COVER	1	PC.
41			153291-3	HELICAL GEAR 43 COM. (OLD# 153265-4 - N/L/A)	1	PC.
42			150979-6	FRAME COMPLETE	1	PC.
43			265995-6	TAPPING SCREW 4X18	4	PC.
44			150846-5	EDGE SLIDER COMPLETE	1	PC.
45			211131-2	BALL BEARING 6001DDW	1	PC.
46			162199-0	DRIVING ROLLER	1	PC.
47			252087-0	HEX. NUT M12-19	1	PC.
48			266026-4	TAPPING SCREW BIND CT 4X12	2	PC.
49			344622-9	SAFETY COVER	1	PC.
50			163398-7	TENSION ROLLER ARM	1	PC.

Item No	Type	Ref	Part No	Description	Qty	Unit
51			233235-0	COMPRESSION SPRING 12	1	PC.
52			231819-8	TENSION SPRING 4	1	PC.
53			321980-0	SUPPORT PIN	1	PC.
54			323829-0	TENSION ROLLER SHAFT	1	PC.
55			253922-5	CUP WASHER 12	1	PC.
56			150978-8	TENSION ROLLER COMPLETE	1	PC.
		INC.	214116-7	PLANE BEARING 12	2	PC.
		INC.	421044-1	SPONGE SHEET 42-47	1	PC.
57			253922-5	CUP WASHER 12	1	PC.
58			961052-5	RETAINING RING S-12	1	PC.
59			911118-1	PAN HEAD SCREW M4X12	3	PC.
60			344623-7	STRAP WASHER	1	PC.
62			416499-3	FRONT GRIP	1	PC.
63			266034-5	TAPPING SCREW CT 4X16	2	PC.
64			226551-7	HELICAL GEAR 12 (OLD# 226506-2 - N/L/A)	1	PC.
65			211066-7	BALL BEARING 6200LLB	1	PC.
66			911213-7	PAN HEAD SCREW M5X12	1	PC.
67	2		852072-9	NAME PLATE F/9403	1	PC.
68			231225-7	COMPRESSION SPRING 16	1	PC.
69			253707-9	FLAT WASHER 16	1	PC.
70			251815-0	SCREW M6X25	1	PC.
100			652008-6	P.H. SCREW M3.5 X 7	2	PC.
101			654037-5	INSLTED TERMINAL FK1.25-M3	2	PC.
103			654575-7	TERMINAL BLOCK	1	PC.
C01			843524-1	CARTON F/9403	1	PC.

ACCESSORIES

- See Catalogue or visit www.makita.ca for other optional accessories -

A01			742322-9	ABRESIVE BELT 4"X24" 80GRIT 10PC/SET	1	PC.
A02			122562-9	DUST BAG ASS'Y	1	PC.
		INC.	410602-8	FASTENER	1	PC.
A03			150980-1	STEEL PLATE COMPLETE	1	PC.
		INC.	344620-3	STEEL PLATE	1	PC.
		INC.	421646-3	CORK RUBBER PLATE	1	PC.
A04			P-80024	JOINT 25 (F/DUST COLLECTOR)	1	PC.
A05			421648-9	CARBON PLATE	1	PC.
A06	1		192278-0	HOSE COMPLETE 28-1.5M, UNI	1	PC.
	2		A-34235	HOSE COMPLETE 28-1.5M SET W/FRONT CUFFS 22, 38	1	PC.
A07			192279-8	HOSE 1" DIA.X9.6FT	1	PC.
A08			192279-8	HOSE 1" DIA.X9.6FT	1	PC.
A09			193055-3	BELT SANDER STAND SET	1	SET
		INC.	923211-9	CAP SQUARE NECK BOLT M5X12	3	PC.
		INC.	941101-4	FLAT WASHER 5	3	PC.
		INC.	344859-8	PRESSURE PLATE	1	PC.
		INC.	941151-9	FLAT WASHER 6	3	PC.
		INC.	942151-2	SPRING WASHER 6	3	PC.
		INC.	924366-3	WING BOLT M6X50	1	PC.
		INC.	819063-3	MAKITA LABEL	1	PC.
		INC.	342920-5	COVER PLATE	1	PC.
		INC.	934201-7	WING NUT M5	3	PC.
		INC.	924316-8	WING BOLT M6X15	3	PC.
		INC.	163236-3	GUIDE RULE	1	PC.
		INC.	168344-5	BASE	1	PC.

SERVICE CHANGES

1. Changes on Helical Gear 43 Complete and Helical Gear 12

Item No.	Description	Type 1	Type 2
41	Helical Gear 43 Com	153265-4	153291-3
64	Helical Gear 12	226506-2	226551-7

Above parts are completely interchangeable as a set.

Type 1

Type 2

