

# Specifications

## Angle Drill

Double Insulation

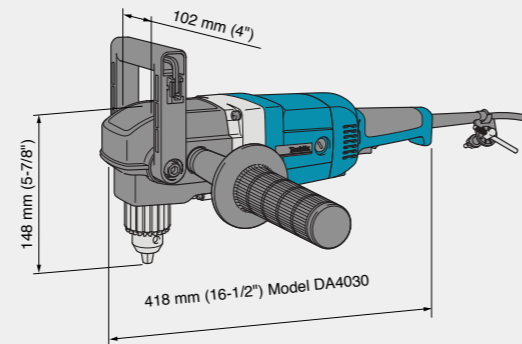
Torque Limiter

Reversing

Drilling capacities	Model DA4031
Wood	
Auger-bit	38 mm (1-1/2")
Self-feed bit	118 mm (4-5/8")
Hole saw	152 mm (6")
Steel	
Twist bit	13 mm (1/2")
Continuous rating	
Input	1,050 W
No load speed	Hi : 1,200 min <sup>-1</sup> (rpm) Lo : 300 min <sup>-1</sup> (rpm)
Overall length	462 mm (18-1/4")
Net weight	5.6 kg (9.5 lbs)
Power supply cord	2.5 m (8.2 ft.)

Specifications may differ from country to country.

## Dimension



# Standard equipment

## Angle Drill

	Part No.
Drill chuck	193381-7
Chuck key	763432-9
Grip 27	273654-8
Hex wrench 6	783204-6
Plastic carrying case	824647-4

# Optional accessories

## Angle Drill

	Part No.
Drill chuck	193381-7
Chuck key	763432-9
Grip 27	273654-8
Hex wrench 6	783204-6
Plastic carrying case	824647-4

A world's leading manufacturer of power tools



Double Insulation

Reversing

Torque Limiter

# 13 mm (1/2") Angle Drill

## Model DA4031

*Power and torque for extra efficient drilling between studs and joists*



Photo: DA4031

**NEW**



**Makita Power Tools India Pvt. Ltd.**

Unit II Sy. Nos. 93/3 & 93/4, Koralur village, Kasaba Hobli, Hoskote Taluk, Bangalore - 560 067, INDIA. Tel: +91 80 2854 9008, Fax: +91 80 2854 9007  
Email: sales@makita.in Website: www.makita.in

Unrivaled drilling capacity and ergonomic design ensure the best performance in 2 X 4 constructions, plumbing and electric installation works.

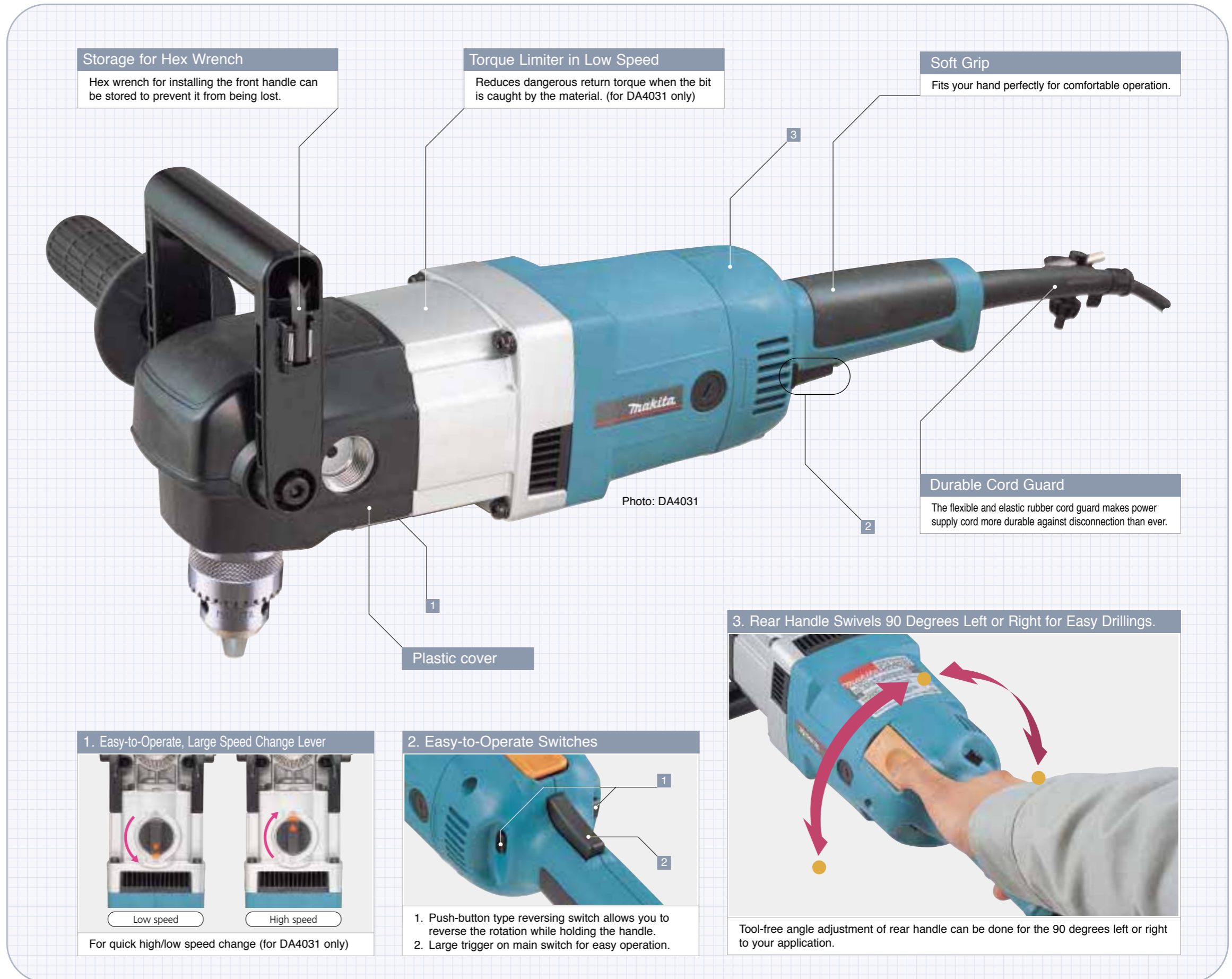



Photo: DA4031

**Storage for Hex Wrench**  
Hex wrench for installing the front handle can be stored to prevent it from being lost.

**Torque Limiter in Low Speed**  
Reduces dangerous return torque when the bit is caught by the material. (for DA4031 only)

**Soft Grip**  
Fits your hand perfectly for comfortable operation.

**Durable Cord Guard**  
The flexible and elastic rubber cord guard makes power supply cord more durable against disconnection than ever.

**3. Rear Handle Swivels 90 Degrees Left or Right for Easy Drillings.**

**1. Easy-to-Operate, Large Speed Change Lever**

Low speed	High speed
-----------	------------

For quick high/low speed change (for DA4031 only)

**2. Easy-to-Operate Switches**

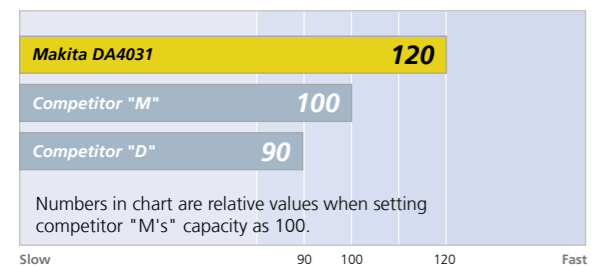
1. Push-button type reversing switch allows you to reverse the rotation while holding the handle.  
2. Large trigger on main switch for easy operation.

Tool-free angle adjustment of rear handle can be done for the 90 degrees left or right to your application.

### Performance Data

Note: It may differ under some conditions.

#### ■ Drilled 6 SPF boards in a pile with 1" auger bit



#### ■ Drilled an SPF board with 4-5/8" selffeed bit

