



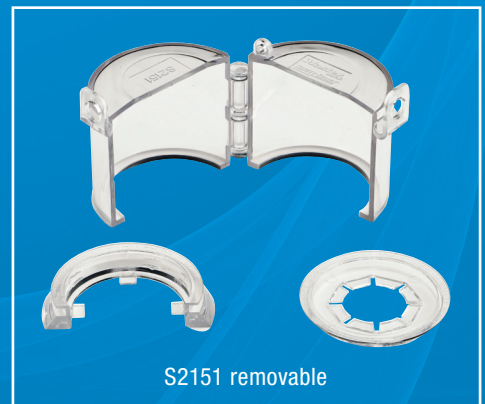
Removable and Permanent Switch Control Solutions

Temporarily prohibit access or avoid the nuisance of changing rotary switch settings with these durable, versatile, push button & switch covers. Available in both removable and installed versions, covers feature a clear base and cover to allow visibility of nameplates, labels or rotary switch knobs.



Removable push button covers (S2151) include one cover, one install base and one retrofit base with double-faced adhesive tape. Accommodates buttons up to 50mm (2in) diameter and 45mm (1.75in) tall.

Installed push button covers (S2153) are captured by the rotary or push button switch bezel and accommodates buttons up to 40mm (1.5in) diameter and 45mm tall (1.75in).



Product Number	S2151	S2153
Description:	Removable Button and Switch Cover	Installed Button and Switch Cover
Material:	Polycarbonate	Polycarbonate
Fits Button Size:	Up to 50mm (2in) diameter & 45mm (1.75in) tall	Up to 40mm (1.5in) diameter & 45mm (1.75in) tall
Fits Switch Size:	30.55mm (1.2in) and 22.5mm (.9in) diameter	30.55mm (1.2in) and 22.5mm (.9in) diameter
Individual Packaging:	1 Unit, Bagged	1 Unit, Bagged
UPC - Individual:	071649170980	071649171000
Shelf Pack Quantity:	6	6
UPC - Shelf Pack:	10071649170987	10071649171007
Master Carton Quantity:	24	24
UPC - Master Carton:	20071649170984	20071649171004



S2151 installed with S31RED.

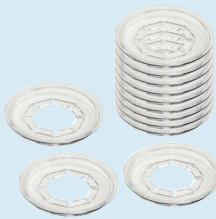


S2153 installed with S31REDCOV.

Additional Products

S2152AST Install Bases

- Use with S2151
- Pack of 12 new install bases
- Allows one S2151 removable cover to service multiple switches on same panel



S2154AST Retrofit Install Bases

- Use with S2151
- Pack of 12 new horse-shoe shaped retrofit bases with double-faced adhesive tape
- Allows for use with raised nameplates and off-center installation to accommodate rotary switch knobs



496B Universal Wall Switch Cover

- Patented design assures switch is kept on or off
- Hinges open for unobstructed normal operation of switch
- Includes English/Spanish and English/French label

