



SERVICE PARTS LIST

BULLETIN NO.
54-06-2215

SPECIFY CATALOG NO. AND SERIAL NO. WHEN ORDERING PARTS		REVISED BULLETIN	DATE
USB RECHARGEABLE FOLDING FLOOD LIGHT			Mar. 2018
CATALOG NO.	2114-21	STARTING SERIAL NO.	J84A
WIRING INSTRUCTION			

00 0 **EXAMPLE:**
Component Parts (Small #)
Are Included When Ordering
The Assembly (Large #).

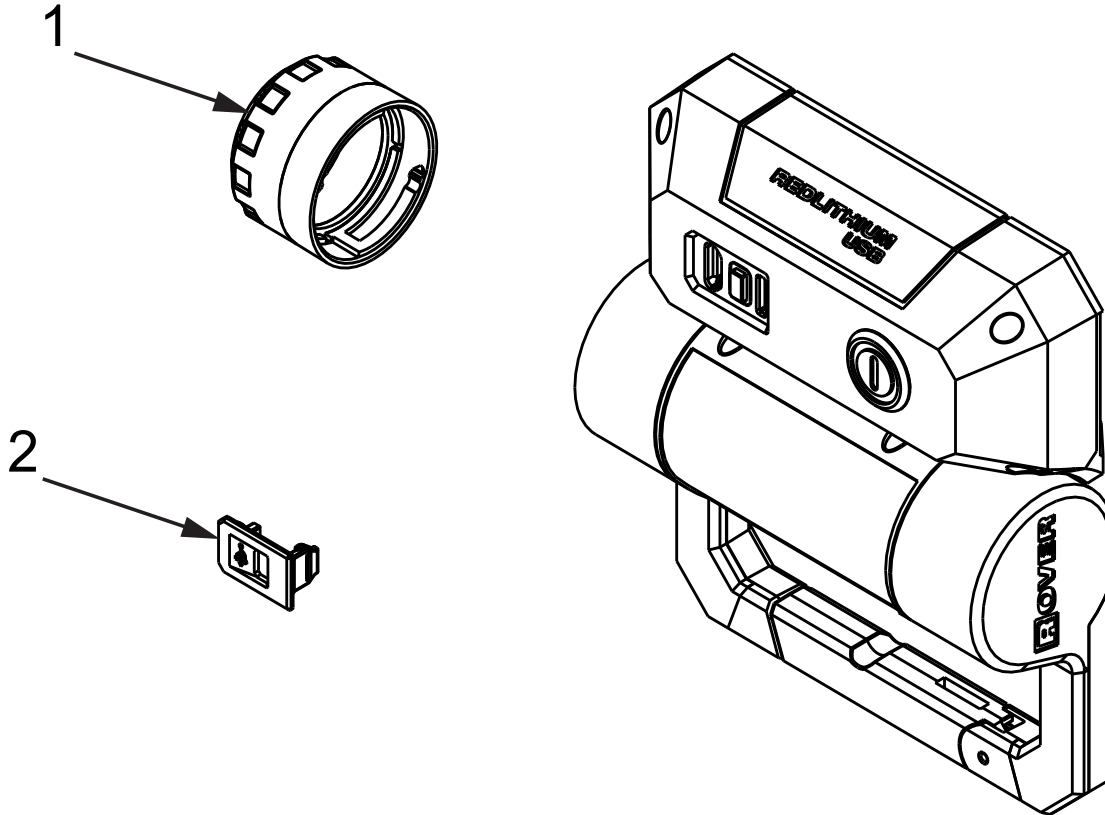


FIG.	PART NO.	DESCRIPTION OF PART	NO. REQ.
1	31-21-0240	Battery Cover	(1)
2	31-15-0575	USB Cover	(1)
3	12-20-2114	Service Nameplate (Not Shown)	(1)

FIG. NOTES
3 A clean, dry surface is essential for proper performance for any adhesive system. The area intended for application of any adhesive label or nameplate must be prepared by cleaning with isopropyl alcohol. The solvent is to be applied with a clean, lint free applicator and the surface allowed to dry before applying the label or nameplate.