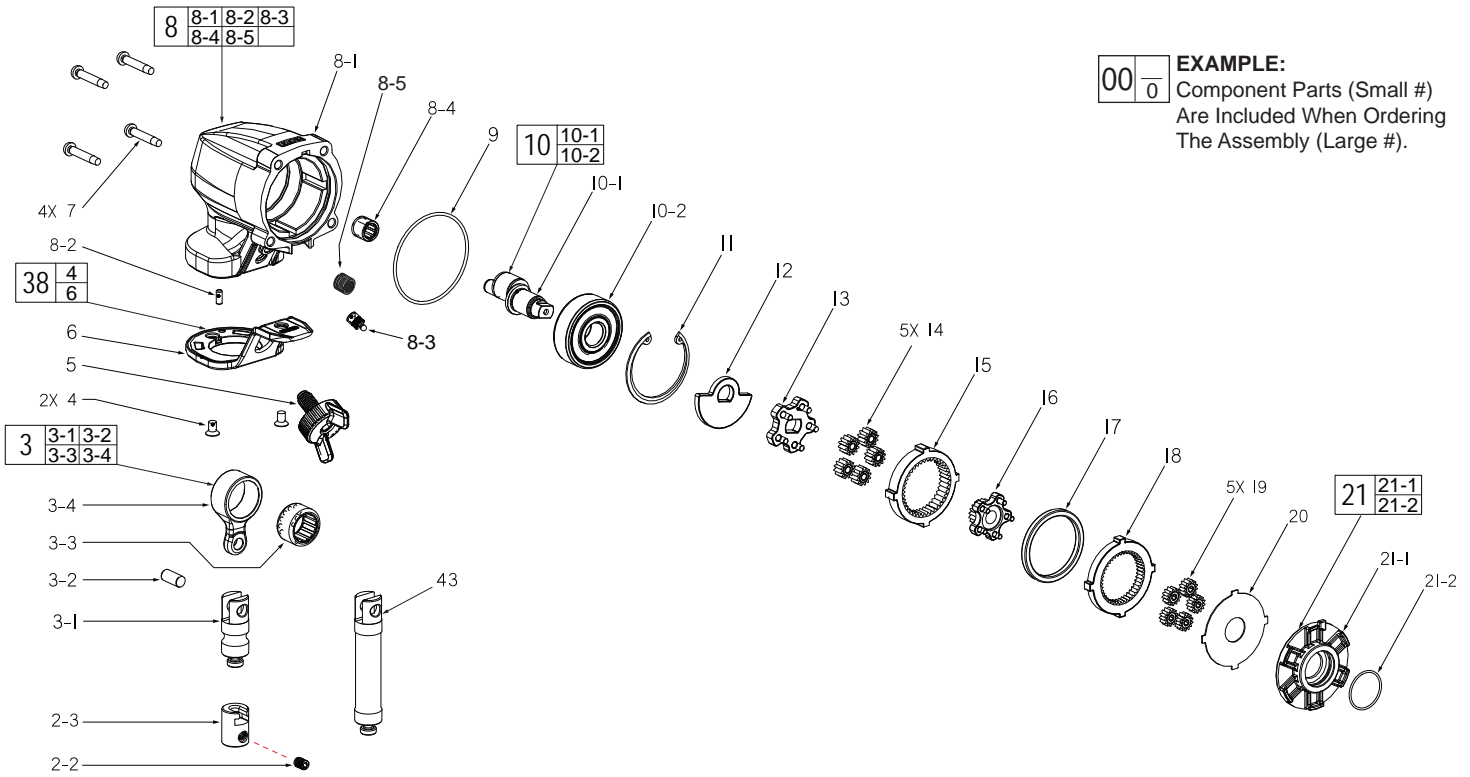




SERVICE PARTS LIST

BULLETIN NO.
54-27-0025

SPECIFY CATALOG NO. AND SERIAL NO. WHEN ORDERING PARTS		REVISED BULLETIN	DATE
M12™ FUEL™ 16 GAUGE NIBBLER			Sep. 2022
CATALOG NO. 2476-20	STARTING SERIAL NO. M49A	WIRING INSTRUCTION	
		Page 3	



EXAMPLE:
Component Parts (Small #)
Are Included When Ordering
The Assembly (Large #).

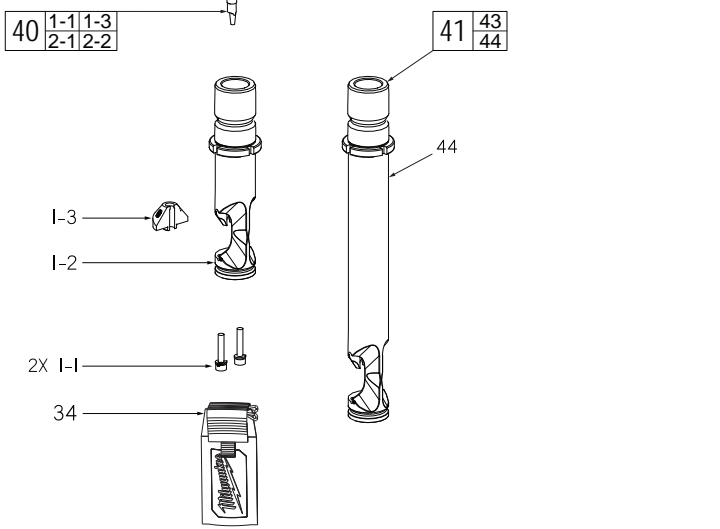


FIG.	PART NO.	DESCRIPTION OF PART	NO. REQ.
5	43-98-0032	Rotation knob Assembly	(1)
6	-----	LED Mount	(1)
7	05-88-1255	M4 x 22mm ST Screw	(4)
8	14-30-0089	Gear Box Assembly	(1)
8-1	-----	Gear Case	(1)
8-2	-----	Pin	(1)
8-3	-----	Guide Pin	(1)
8-4	-----	Needle Bearing	(1)
8-5	43-84-0027	Threaded Insert	(1)
9	34-40-0330	O-Ring	(1)
10	14-73-2476	Cam Shaft Assembly	(1)
10-1	45-08-0045	Eccentric Shaft	(1)
10-2	02-04-0037	Ball Bearing	(1)
11	44-90-0405	Retaining Ring	(1)
12	42-88-0058	Counter Weight	(1)
13	42-46-0011	2nd Carrier	(1)
14	32-62-0105	2nd Planet Gear	(5)
15	32-65-0220	2nd Ring Gear	(1)
16	33-40-1000	2nd Layer Sun Gear	(1)
17	31-86-0040	Spacer	(1)
18	32-65-0006	1st Ring Gear	(1)
19	32-62-0103	1st Layer Planet Gear	(5)
20	45-88-0127	Flat Washer	(1)
21	14-46-0322	Diecast Motor Holder Kit	(1)
21-1	-----	Motor Holder	(1)
21-2	34-40-0147	O-Ring	(1)
34	42-16-2476	Chip Collection Bag	(1)
38	14-46-2477	LED Mount Kit	(1)
40	48-44-0272	Punch and Die Accessory	(1)
41	49-72-0152	Long Die Holder Accessory	(1)
43	-----	Long Piston	(1)
44	-----	Long Die Holder	(1)

FIG.	PART NO.	DESCRIPTION OF PART	NO. REQ.
1-1	06-97-3610	M3.0 x 0.5 CH Mach. Screw	(2)
1-2	43-72-0151	Die Holder Assembly	(1)
1-3	-----	Die	(1)
2-1	-----	Punch	(1)
2-2	06-83-0020	M5 x 0.8 Mach. Screw	(1)
2-3	43-72-0009	Punch Holder	(1)
3	14-48-0070	Rod Assembly	(1)
3-1	-----	Steel Piston	(1)
3-2	-----	Pin	(1)
3-3	-----	Needle Bearing	(1)
3-4	-----	Conrod	(1)
4	05-81-0592	M4 x 0.7 Mach. Screw	(2)

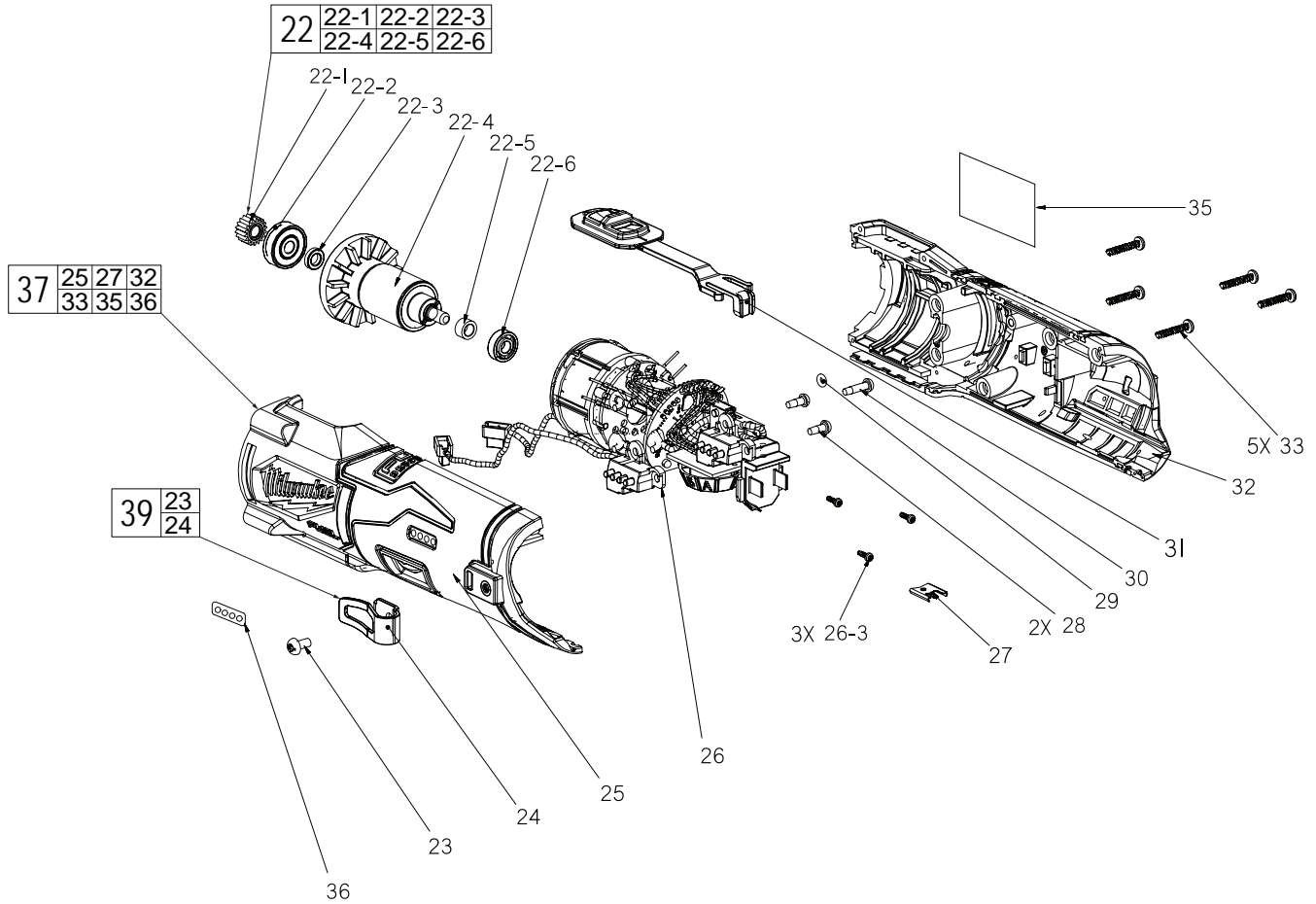
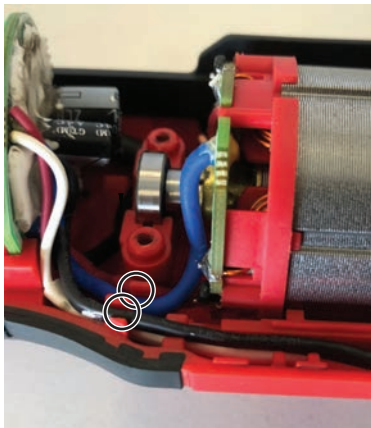
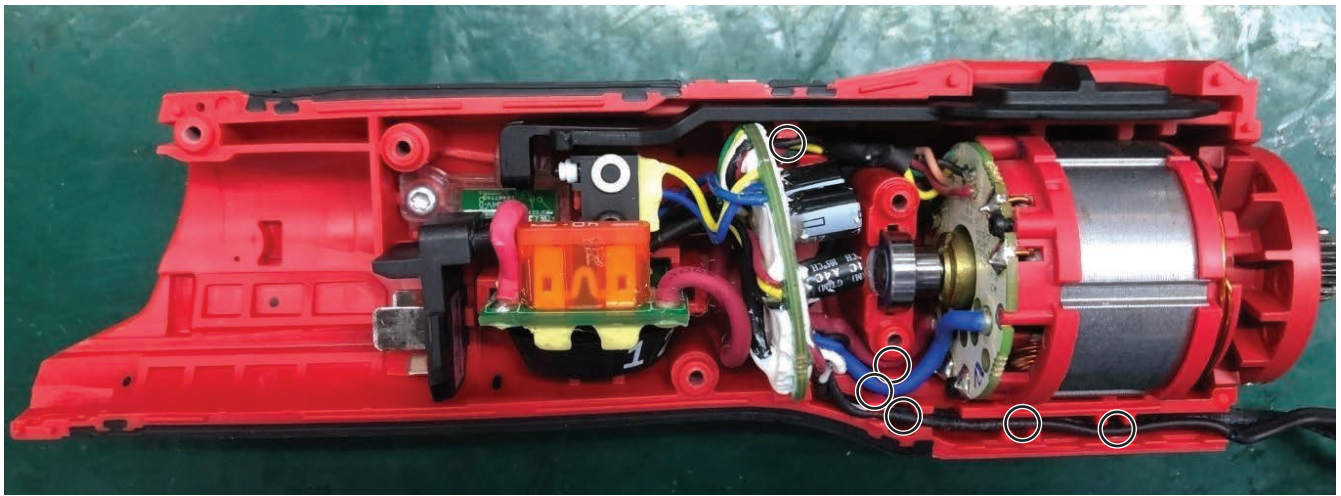


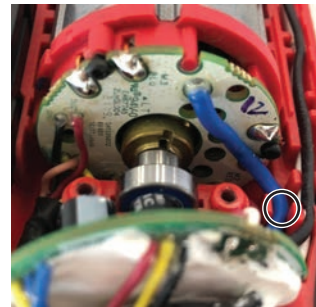
FIG.	PART NO.	DESCRIPTION OF PART	NO. REQ.
22	14-50-0027	Motor Rotor Assembly	(1)
22-1	-----	Motor Pinion	(1)
22-2	-----	Ball Bearing	(1)
22-3	-----	Copper Sleeve	(1)
22-4	-----	Motor Armature	(1)
22-5	-----	Drive Sleeve	(1)
22-6	-----	Ball Bearing	(1)
23	-----	#6-32 PH Torq Screw	(1)
24	-----	Belt Clip	(1)
25	-----	Housing Support	(1)
26	14-20-2476	PCBA and Motor Assembly	(1)
26-3	-----	M2 x 0.89 PH Screw	(3)
27	42-70-0058	Housing Connection Clip	(1)
28	06-82-0062	M3 x 8mm T-10 Screw	(2)
29	34-40-0089	O-Ring for Trigger Switch	(1)
30	06-82-1087	M3 x 1.058 ST Screw	(1)
31	31-92-0052	Slide Switch Button	(1)
32	-----	Housing Cover	(1)
33	06-82-7210	M3 x 1.05 CH Screw	(5)
35	12-20-2489	Service Nameplate	(1)
36	-----	Fuel Gauge Label	(1)
37	14-34-2476	Housing Kit	(1)
39	14-46-2476	Belt Clip Kit	(1)

FIG. 35,36 NOTES
 A clean, dry surface is essential for proper performance for any adhesive system. The area intended for application of any adhesive label or nameplate must be prepared by cleaning with isopropyl alcohol. The solvent is to be applied with a clean, lint free applicator and the surface allowed to dry before applying the label or nameplate.

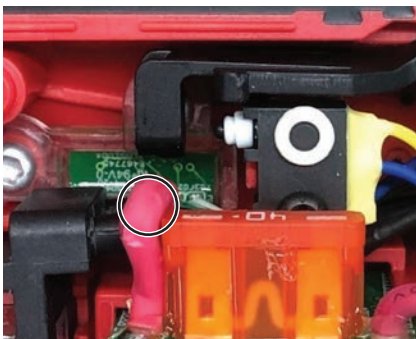
SCREW TORQUE SPECIFICATIONS			SEAT TORQUE	
FIG.	PART NO.	WHERE USED	(KG/CM) (IN/LBS)	
1-1	06-97-3610	Die Holder	6	5
2-2	06-83-0020	Punch Holder	13	11
4	05-81-0592	Gear Case	7	6
5	43-98-0032	Gear Case	12	10
7	05-88-1255	Housing Support	8	7
7	05-88-1255	Housing Cover	8	7
23	-----	Housing Support	4.5	3.9
28	06-82-0062	PCBA	3	2.6
30	06-82-1087	PCBA	2	1.7
33	06-82-7210	Housing Cover	4	3



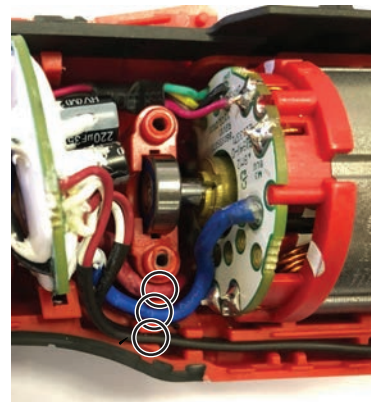
Insert white in trap before Black wire.



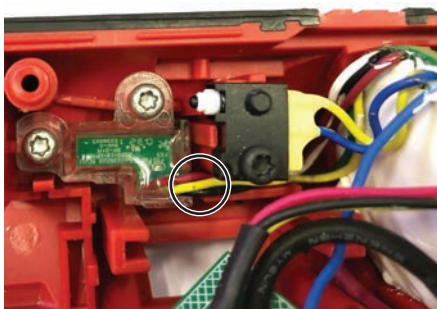
Visually check that Blue wire is free from Rotor.



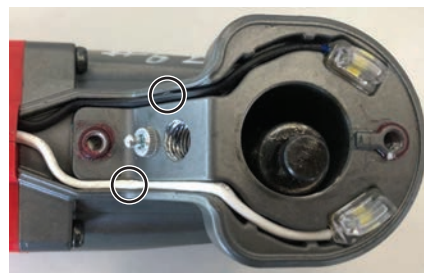
Wrap red wire as shown to avoid interference with slide button.



Place red, blue, and black wire in corresponding wire traps.



Place FUEL gauge wire into wire trap.



Place white and black wire in corresponding wire traps.

Lubrication

