

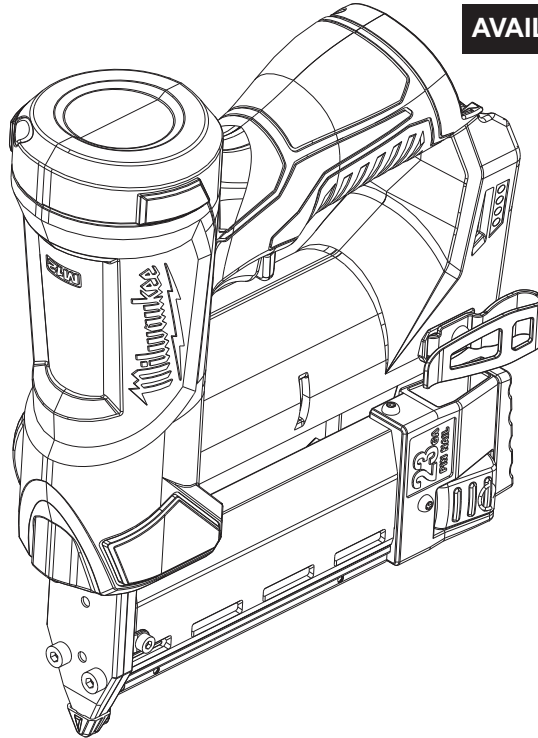


# SERVICE PARTS LIST

BULLETIN NO.  
54-00-2540

SPECIFY CATALOG NO. AND SERIAL NO. WHEN ORDERING PARTS				REVISED BULLETIN	DATE
<b>M12™ 23 GA. Pin Nailer</b>					Aug. 2020
CATALOG NUMBER	<b>2540-20</b>	SERIAL NUMBER	<b>L77A</b>	WIRING INSTRUCTION	

**AVAILABLE SERVICE PARTS PAGE 2**



**Due to the combination of the compressed air system and electronics in this tool, service can only be performed at Milwaukee Authorized Repair Centers:**

**MILWAUKEE ELECTRIC TOOL Central Repair**  
1401 Sycamore Avenue • Greenwood, MS 38930-7277  
Please send your tool directly to this location for service.

Or

**Via e-Service at: [www.milwaukeetool.com/e-service](http://www.milwaukeetool.com/e-service)**  
questions, please call 1.800.SAWDUST (1.800.729.3878)

Or

Visit [www.milwaukeetool.com](http://www.milwaukeetool.com) to find your closest  
Milwaukee authorized Hydraulic repair center

Or

Return it to a MILWAUKEE *factory* Service Center location, freight prepaid and insured.  
A copy of the proof of purchase should be included with the return product.

---

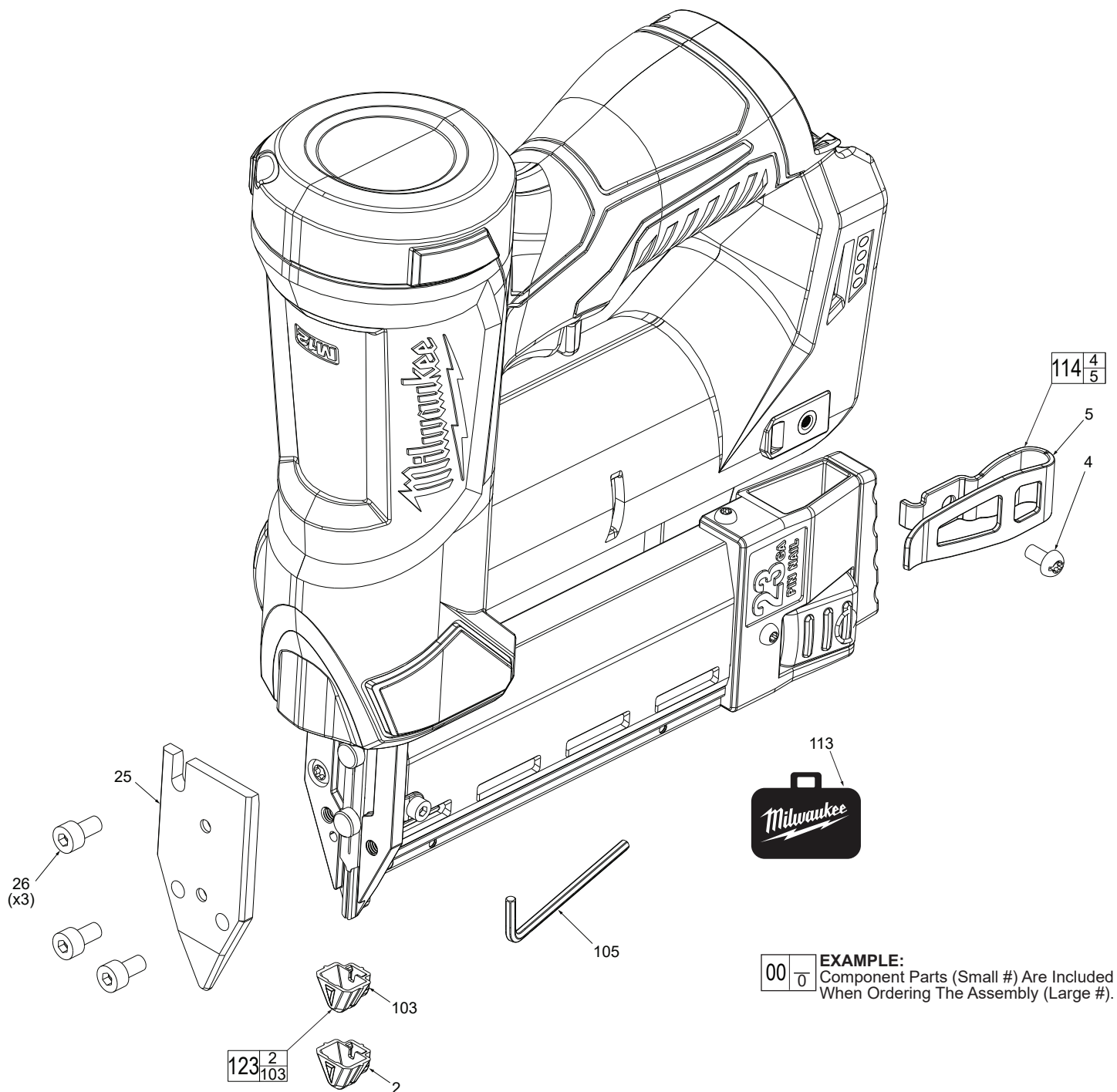
If you have questions please contact Milwaukee Product Service at:

**Product Technical Support via phone at: 262.783.8642**

Or

**Via email at: [METProductSupport@milwaukeetool.com](mailto:METProductSupport@milwaukeetool.com)**

**Disassembly is not recommended and could void the warranty.**



**EXAMPLE:**  
 Component Parts (Small #) Are Included  
 When Ordering The Assembly (Large #).

FIG.	PART NO.	DESCRIPTION OF PART	NO. REQ.
2		No Mar Pad	(1)
4	06-82-0130	6-32 x 5/16" Pan Hd. T-15 Machine Screw	(1)
5	42-70-0095	Belt Hook	(1)
25	28-20-0035	Receiver	(1)
26	05-74-0430	M4 X 7.5mm Mach. Screw	(3)
103		No Mar Pad	(1)
105	45-96-2540	Allen Key	(1)
106	10-20-4576	Warning Label Bottom (Not Shown)	(1)
107	12-20-2541	Service Nameplate (Not Shown)	(1)
110	10-20-4577	Warning Label (Not Shown)	(1)
113	42-55-2540	Tool Bag	(1)
114	42-70-0029	Belt Hook Kit	(1)
123	42-38-0009	No Mar Pad Kit	(1)