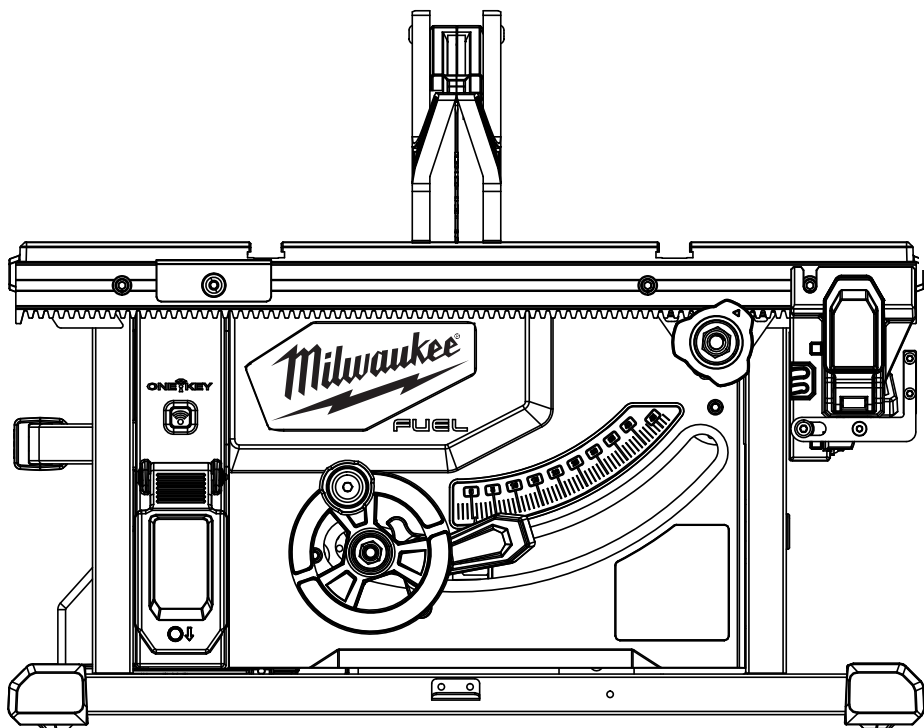




OPERATOR'S MANUAL
MANUEL de L'UTILISATEUR
MANUAL del OPERADOR



Cat. No. / No de cat.
2736-20

M18™ FUEL™ 8 1/4" TABLE SAW W/ ONE-KEY™
SCIE A TABLE DE 210 mm (8 1/4") M18™ FUEL™
AVEC ONE-KEY™
SIERRA DE MESA DE 210 mm (8 1/4") M18™ FUEL™ CON
ONE-KEY™



WARNING To reduce the risk of injury, user must read and understand operator's manual.

AVERTISSEMENT Afin de réduire le risque de blessures, l'utilisateur doit lire et bien comprendre le manuel.

ADVERTENCIA Para reducir el riesgo de lesiones, el usuario debe leer y entender el manual.

GENERAL POWER TOOL SAFETY WARNINGS

⚠WARNING Read all safety warnings, instructions, illustrations and specifications provided with this power tool. Failure to follow all instructions listed below may result in electric shock, fire and/or serious injury. **Save all warnings and instructions for future reference.** The term "power tool" in the warnings refers to your mains-operated (corded) power tool or battery-operated (cordless) power tool.

WORK AREA SAFETY

- **Keep work area clean and well lit.** Cluttered or dark areas invite accidents.
- **Do not operate power tools in explosive atmospheres, such as in the presence of flammable liquids, gases or dust.** Power tools create sparks which may ignite the dust or fumes.
- **Keep children and bystanders away while operating a power tool.** Distractions can cause you to lose control.

ELECTRICAL SAFETY

- **Power tool plugs must match the outlet. Never modify the plug in any way. Do not use any adapter plugs with earthed (grounded) power tools.** Unmodified plugs and matching outlets will reduce risk of electric shock.
- **Avoid body contact with earthed or grounded surfaces, such as pipes, radiators, ranges and refrigerators.** There is an increased risk of electric shock if your body is earthed or grounded.
- **Do not expose power tools to rain or wet conditions.** Water entering a power tool will increase the risk of electric shock.
- **Do not abuse the cord. Never use the cord for carrying, pulling or unplugging the power tool. Keep cord away from heat, oil, sharp edges or moving parts.** Damaged or entangled cords increase the risk of electric shock.
- **When operating a power tool outdoors, use an extension cord suitable for outdoor use.** Use of a cord suitable for outdoor use reduces the risk of electric shock.
- **If operating a power tool in a damp location is unavoidable, use a ground fault circuit interrupter (GFCI) protected supply.** Use of an GFCI reduces the risk of electric shock.

PERSONAL SAFETY

- **Stay alert, watch what you are doing and use common sense when operating a power tool. Do not use a power tool while you are tired or under the influence of drugs, alcohol or medication.** A moment of inattention while operating power tools may result in serious personal injury.
- **Use personal protective equipment. Always wear eye protection.** Protective equipment such as a dust mask, non-skid safety shoes, hard hat or hearing protection used for appropriate conditions will reduce personal injuries.
- **Prevent unintentional starting. Ensure the switch is in the off-position before connecting to power source and/or battery pack, picking up or carrying the tool.** Carrying power tools with your finger on the switch or energizing power tools that have the switch on invites accidents.

- **Remove any adjusting key or wrench before turning the power tool on.** A wrench or a key left attached to a rotating part of the power tool may result in personal injury.
- **Do not overreach. Keep proper footing and balance at all times.** This enables better control of the power tool in unexpected situations.
- **Dress properly. Do not wear loose clothing or jewelry. Keep your hair and clothing away from moving parts.** Loose clothes, jewelry or long hair can be caught in moving parts.
- **If devices are provided for the connection of dust extraction and collection facilities, ensure these are connected and properly used.** Use of dust collection can reduce dust-related hazards.
- **Do not let familiarity gained from frequent use of tools allow you to become complacent and ignore tool safety principles.** A careless action can cause severe injury within a fraction of a second.

POWER TOOL USE AND CARE

- **Do not force the power tool. Use the correct power tool for your application.** The correct power tool will do the job better and safer at the rate for which it was designed.
 - **Do not use the power tool if the switch does not turn it on and off.** Any power tool that cannot be controlled with the switch is dangerous and must be repaired.
 - **Disconnect the plug from the power source and/ or remove the battery pack, if detachable, from the power tool before making any adjustments, changing accessories, or storing power tools.** Such preventive safety measures reduce the risk of starting the power tool accidentally.
 - **Store idle power tools out of the reach of children and do not allow persons unfamiliar with the power tool or these instructions to operate the power tool.** Power tools are dangerous in the hands of untrained users.
 - **Maintain power tools and accessories. Check for misalignment or binding of moving parts, breakage of parts and any other condition that may affect the power tool's operation. If damaged, have the power tool repaired before use.** Many accidents are caused by poorly maintained power tools.
 - **Keep cutting tools sharp and clean.** Properly maintained cutting tools with sharp cutting edges are less likely to bind and are easier to control.
 - **Use the power tool, accessories and tool bits etc. in accordance with these instructions, taking into account the working conditions and the work to be performed.** Use of the power tool for operations different from those intended could result in a hazardous situation.
 - **Keep handles and grasping surfaces dry, clean and free from oil and grease.** Slippery handles and grasping surfaces do not allow for safe handling and control of the tool in unexpected situations.
- ### BATTERY TOOL USE AND CARE
- **Recharge only with the charger specified by the manufacturer.** A charger that is suitable for one type of battery pack may create a risk of fire when used with another battery pack.
 - **Use power tools only with specifically designated battery packs.** Use of any other battery packs may create a risk of injury and fire.

•When battery pack is not in use, keep it away from other metal objects, like paper clips, coins, keys, nails, screws or other small metal objects, that can make a connection from one terminal to another. Shorting the battery terminals together may cause burns or a fire.

•Under abusive conditions, liquid may be ejected from the battery; avoid contact. If contact accidentally occurs, flush with water. If liquid contacts eyes, additionally seek medical help. Liquid ejected from the battery may cause irritation or burns.

•Do not use a battery pack or tool that is damaged or modified. Damaged or modified batteries may exhibit unpredictable behavior resulting in fire, explosion or risk of injury.

•Do not expose a battery pack or tool to fire or excessive temperature. Exposure to fire or temperature above 265°F (130°C) may cause explosion.

•Follow all charging instructions and do not charge the battery pack or tool outside the temperature range specified in the instructions. Charging improperly or at temperatures outside the specified range may damage the battery and increase the risk of fire.

SERVICE

•Have your power tool serviced by a qualified repair person using only identical replacement parts. This will ensure that the safety of the power tool is maintained.

•Never service damaged battery packs. Service of battery packs should only be performed by the manufacturer or authorized service providers.

SPECIFIC SAFETY RULES FOR TABLE SAWS

Guarding related warnings

•Keep guards in place. Guards must be in working order and be properly mounted. A guard that is loose, damaged, or is not functioning correctly must be repaired or replaced.

•Always use saw blade guard, riving knife and anti-kickback device for every through-cutting operation. For through-cutting operations where the saw blade cuts completely through the thickness of the workpiece, the guard and other safety devices help reduce the risk of injury.

•Immediately reattach the guarding system after completing an operation (such as rabbeting, dadoing or resawing cuts) which requires removal of the guard, riving knife and/or anti-kickback device. The guard, riving knife, and anti-kickback device help to reduce the risk of injury.

•Make sure the saw blade is not contacting the guard, riving knife or the workpiece before the switch is turned on. Inadvertent contact of these items with the saw blade could cause a hazardous condition.

•Adjust the riving knife as described in this instruction manual. Incorrect spacing, positioning and alignment can make the riving knife ineffective in reducing the likelihood of kickback.

•For the riving knife and anti-kickback device to work, they must be engaged in the workpiece. The riving knife and anti-kickback device are ineffective when cutting workpieces that are too short to be engaged with the riving knife and anti-kickback device. Under these conditions a kickback cannot be prevented by the riving knife and antikickback device.

•Use the appropriate saw blade for the riving knife. For the riving knife to function properly, the saw blade diameter must match the appropriate riving knife and the body of the saw blade must be thinner than the thickness of the riving knife and the cutting width of the saw blade must be wider than the thickness of the riving knife.

Cutting procedures warnings

⚠ DANGER Never place your fingers or hands in the vicinity or in line with the saw blade. A moment of inattention or a slip could direct your hand towards the saw blade and result in serious personal injury.

•Feed the workpiece into the saw blade or cutter only against the direction of rotation. Feeding the workpiece in the same direction that the saw blade is rotating above the table may result in the workpiece, and your hand, being pulled into the saw blade.

•Never use the mitre gauge to feed the workpiece when ripping and do not use the rip fence as a length stop when cross cutting with the mitre gauge. Guiding the workpiece with the rip fence and the mitre gauge at the same time increases the likelihood of saw blade binding and kickback.

•When ripping, always apply the workpiece feeding force between the fence and the saw blade. Use a push stick when the distance between the fence and the saw blade is less than 150 mm, and use a push block when this distance is less than 50 mm. "Work helping" devices will keep your hand at a safe distance from the saw blade.

•Use only the push stick provided by the manufacturer or constructed in accordance with the instructions. This push stick provides sufficient distance of the hand from the saw blade.

•Never use a damaged or cut push stick. A damaged push stick may break causing your hand to slip into the saw blade.

•Do not perform any operation "freehand". Always use either the rip fence or the mitre gauge to position and guide the workpiece. "Freehand" means using your hands to support or guide the workpiece, in lieu of a rip fence or mitre gauge. Freehand sawing leads to misalignment, binding and kickback.

•Never reach around or over a rotating saw blade. Reaching for a workpiece may lead to accidental contact with the moving saw blade.

•Provide auxiliary workpiece support to the rear and/or sides of the saw table for long and/or wide workpieces to keep them level. A long and/or wide workpiece has a tendency to pivot on the table's edge, causing loss of control, saw blade binding and kickback.

•Feed workpiece at an even pace. Do not bend or twist the workpiece. If jamming occurs, turn the tool off immediately, unplug the tool then clear the jam. Jamming the saw blade by the workpiece can cause kickback or stall the motor.

•Do not remove pieces of cut-off material while the saw is running. The material may become trapped between the fence or inside the saw blade guard and the saw blade pulling your fingers into the saw blade. Turn the saw off and wait until the saw blade stops before removing material.

•Use an auxiliary fence in contact with the table top when ripping workpieces less than 2 mm thick. A thin workpiece may wedge under the rip fence and create a kickback.

Kickback causes and related warnings

Kickback is a sudden reaction of the workpiece due to a pinched, jammed saw blade or misaligned line of cut in the workpiece with respect to the saw blade or when a part of the workpiece binds between the saw blade and the rip fence or other fixed object. Most frequently during kickback, the workpiece is lifted from the table by the rear portion of the saw blade and is propelled towards the operator. Kickback is the result of saw misuse and/or incorrect operating procedures or conditions and can be avoided by taking proper precautions as given below.

• **Never stand directly in line with the saw blade.**

Always position your body on the same side of the saw blade as the fence. Kickback may propel the workpiece at high velocity towards anyone standing in front and in line with the saw blade.

• **Never reach over or in back of the saw blade to pull or to support the workpiece.** Accidental contact with the saw blade may occur or kickback may drag your fingers into the saw blade.

• **Never hold and press the workpiece that is being cut off against the rotating saw blade.** Pressing the workpiece being cut off against the saw blade will create a binding condition and kickback.

• **Align the fence to be parallel with the saw blade.** A misaligned fence will pinch the workpiece against the saw blade and create kickback.

• **Use a featherboard to guide the workpiece against the table and fence when making non-through cuts such as rabbeting, dadoing or resawing cuts.** A featherboard helps to control the workpiece in the event of a kickback.

• **Use extra caution when making a cut into blind areas of assembled workpieces.** The protruding saw blade may cut objects that can cause kickback.

• **Support large panels to minimise the risk of saw blade pinching and kickback.** Large panels tend to sag under their own weight. Support(s) must be placed under all portions of the panel overhanging the table top.

• **Use extra caution when cutting a workpiece that is twisted, knotted, warped or does not have a straight edge to guide it with a mitre gauge or along the fence.** A warped, knotted, or twisted workpiece is unstable and causes misalignment of the kerf with the saw blade, binding and kickback.

• **Never cut more than one workpiece, stacked vertically or horizontally.** The saw blade could pick up one or more pieces and cause kickback.

• **When restarting the saw with the saw blade in the workpiece, centre the saw blade in the kerf so that the saw teeth are not engaged in the material.** If the saw blade binds, it may lift up the workpiece and cause kickback when the saw is restarted.

• **Keep saw blades clean, sharp, and with sufficient set. Never use warped saw blades or saw blades with cracked or broken teeth.** Sharp and properly set saw blades minimise binding, stalling and kickback.

Table saw operating procedure warnings

• **Turn off the table saw and disconnect the power cord when removing the table insert, changing the saw blade or making adjustments to the riving knife, antikickback device or saw blade guard, and when the machine is left unattended.** Precautionary measures will avoid accidents.

• **Never leave the table saw running unattended. Turn it off and don't leave the tool until it comes to a complete stop.** An unattended running saw is an uncontrolled hazard.

• **Locate the table saw in a well-lit and level area where you can maintain good footing and balance. It should be installed in an area that provides enough room to easily handle the size of your workpiece.** Cramped, dark areas, and uneven slippery floors invite accidents.

• **Frequently clean and remove sawdust from under the saw table and/or the dust collection device.** Accumulated sawdust is combustible and may self-ignite.

• **The table saw must be secured.** A table saw that is not properly secured may move or tip over.

• **Remove tools, wood scraps, etc. from the table before the table saw is turned on.** Distraction or a potential jam can be dangerous.

• **Always use saw blades with correct size and shape (diamond versus round) of arbour holes.** Saw blades that do not match the mounting hardware of the saw will run off-centre, causing loss of control.

• **Never use damaged or incorrect saw blade mounting means such as flanges, saw blade washers, bolts or nuts.** These mounting means were specially designed for your saw, for safe operation and optimum performance.

• **Never stand on the table saw, do not use it as a stepping stool.** Serious injury could occur if the tool is tipped or if the cutting tool is accidentally contacted.

• **Make sure that the saw blade is installed to rotate in the proper direction. Do not use grinding wheels, wire brushes, or abrasive wheels on a table saw.** Improper saw blade installation or use of accessories not recommended may cause serious injury.

• **Always use common sense and be cautious when using tools.** It is not possible to anticipate every situation that could result in a dangerous outcome. Do not use this tool if you do not understand these operating instructions or you feel the work is beyond your capability; contact Milwaukee Tool or a trained professional for additional information or training.

• **Maintain labels and nameplates.** These carry important information. If unreadable or missing, contact a MILWAUKEE service facility for a free replacement.

• **⚠WARNING** Some dust created by power sanding, sawing, grinding, drilling, and other construction activities contains chemicals known to cause cancer, birth defects or other reproductive harm. Some examples of these chemicals are:

• lead from lead-based paint

• crystalline silica from bricks and cement and other masonry products, and

• arsenic and chromium from chemically-treated lumber.

Your risk from these exposures varies, depending on how often you do this type of work. To reduce your exposure to these chemicals: work in a well ventilated area, and work with approved safety equipment, such as those dust masks that are specially designed to filter out microscopic particles.

SYMBOLGY

SPECIFICATIONS



Volts



Direct Current

n_r XXXX min^{-1} No Load Revolutions per Minute (RPM)



Read operator's manual



Wear eye protection. Use hearing and respiratory protection.



Keep hands and body out of the path of the saw blade.



Match kerf width of blade (>1.8 mm) and blade body thickness (<1.55 mm) with the marking on the riving knife to reduce the risk of kickback.



Only use 8-1/4" (210 mm) saw blades



Match the arrow direction on the saw blade with the arrow direction on the riving knife.



UL Listing for Canada and U.S.

Cat. No. 2736-20

Volts..... 18 DC

Battery Type M18™

Charger Type..... M18™

Recommended Ambient
Operating Temperature..... 0°F to 125°F

No Load RPM..... 6300

Blade Arbor..... 5/8"

Blade Diameter..... 8-1/4" (210 mm)

Blade Tilt..... -3° to 47°

Miter gauge angle..... 60° Right or Left

Cutting Depth, 0° Bevel 2.5"

Cutting Depth, 45° Bevel 1.75"

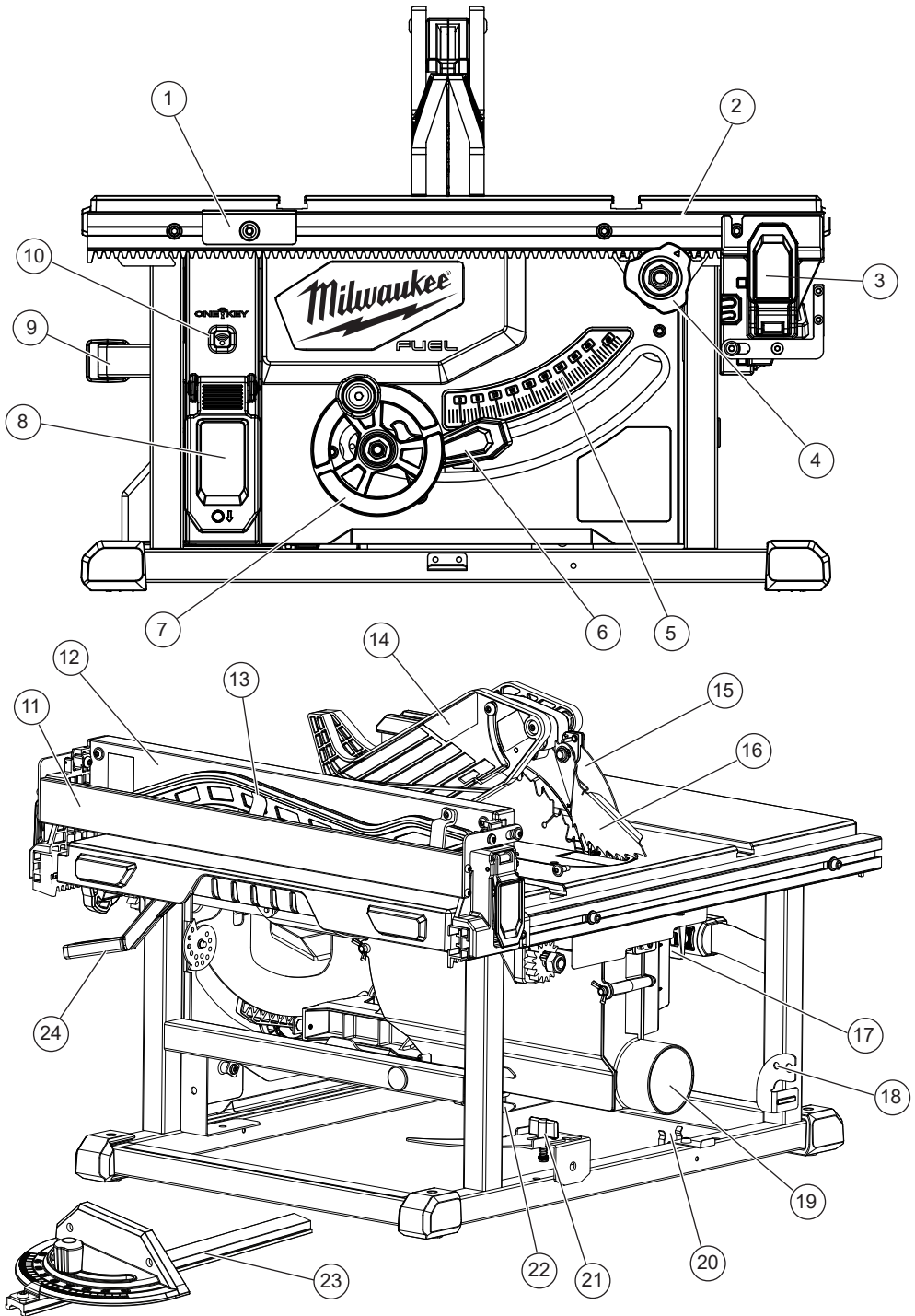
Blade Kerf..... >1.8 mm minimum

..... <2.2 mm maximum

Blade body thickness..... <1.55 mm maximum

Riving knife thickness 1.6 mm (0.063")

FUNCTIONAL DESCRIPTION



1. Rip scale indicator
2. Rip scale
3. Fence latch
4. Fence adjusting knob
5. Bevel scale
6. Bevel locking lever
7. Height adjusting wheel
8. Switch cover
9. Carrying handle
10. ONE-KEY™ indicator
11. Extending rip fence
12. Rip fence
13. Push stick
14. Blade guard
15. Riving knife and blade guard assembly
16. Anti-kickback pawls
17. Riving knife release lever
18. Anti-kickback pawl storage
19. Dust chute
20. Miter gauge storage
21. Riving knife without guard / riving knife storage
22. Blade wrench / blade wrench storage
23. Miter gauge
24. Fence lock

ASSEMBLY

⚠WARNING Recharge only with the charger specified for the battery. For specific charging instructions, read the operator's manual supplied with your charger and battery.

Removing/Inserting the Battery

To **remove** the battery, push in the release buttons and pull the battery pack away from the tool.

⚠WARNING Always remove battery pack before changing or removing accessories.

To **insert** the battery, slide the pack into the body of the tool. Make sure it latches securely into place.

⚠WARNING Only use accessories specifically recommended for this tool. Others may be hazardous.

If any parts are damaged or missing, do not operate this tool until the parts are replaced. Use of this product with damaged or missing parts could result in serious personal injury.

Do not attempt to modify this tool or create accessories not recommended for use with this tool. Any such alteration or modification is misuse and could result in a hazardous condition leading to possible serious personal injury.

Do not insert to battery pack until assembly is complete. Failure to comply could result in accidental starting and possible serious personal injury.

Do not lift the saw without help. Hold it close to your body. Keep your knees bent and lift with your legs, not your back. Ignoring these precautions can result in back injury.

Unpacking

This product requires assembly.

- Carefully lift saw from the carton and place it on a level work surface.

NOTE: This tool is heavy. To avoid back injury, keep your knees bent and lift with your legs, not your back, and get help when needed.

- If tool is shipped with a battery installed, remove the battery pack.
- Remove any packaging and zip ties.
- Inspect the tool carefully to make sure no breakage or damage occurred during shipping.
- Do not discard the packing material until you have carefully inspected the tool, identified all loose parts, and satisfactorily operated the tool.

Mounting the Table Saw

⚠WARNING Ensure the saw is on a stable, level surface before use.

For extra stability, mount the table saw to workbench using the mounting holes in the in the frame. Insert screws at an angle through the table saw frame. The Milwaukee Table Saw Stand can also be used.

Understanding the Table Saw

Before adjusting or operating the saw, have a basic understanding of table saw use and terminology.

The upper portion of the blade projects up through the table and is surrounded by an insert called the throat plate. The height of the blade is set with a wheel on the front of the cabinet. The rip fence is used to position work for lengthwise cuts. A rip fence scale on the front rail shows the distance between the rip fence and the blade. It is very important to use the riving knife with blade guard and anti-kickback pawls for all through-sawing operations. Use the miter gauge for all cross-cut operations.

Detailed instructions are provided in this manual for making adjustments and basic cuts: cross cuts, miter cuts, bevel cuts, and compound cuts. This table saw is designed to cut wood and wood composition products only. Do not cut metal. Do not cut plastics. Understand these instructions before continuing.

Selecting, Installing, and Changing Blades

⚠WARNING Do not use blades rated less than the speed of this tool. Failure to heed this warning could result in personal injury.

⚠WARNING Use the appropriate saw blade for the riving knife. Match kerf width of blade (>1.8 mm) and blade body thickness (<1.55 mm) with the marking on the riving knife to reduce the risk of kickback. Failure to heed this warning could result in personal injury.

⚠WARNING Blades are sharp. Wear work gloves when handling blades.

⚠NOTICE To work properly, the saw blade teeth must point down toward the front of the saw. Failure to heed this warning could cause damage to the saw blade, the saw, or the workpiece.

Always use clean, sharp blades. Dull blades tend to overload the tool, bind, and cause pinching. Use only 8-1/4" table saw blades rated at least 6300 RPM. The blade provided with the saw is a high-quality combination blade suitable for ripping and cross cut operations.

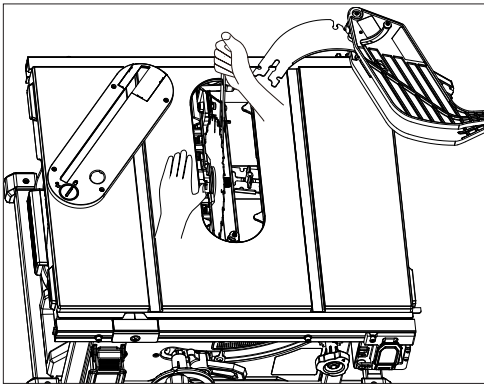
Blade kerf width and blade body thickness must be within the limits stamped on the riving knife. Do not use metal-cutting blades. Do not cut plastics.

The blade wrench should be stored on the table saw frame (see "Functional Description" for storage location).

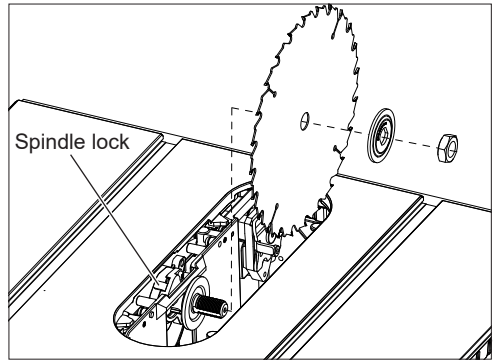
NOTE: To replace the blade with an accessory blade, follow the instructions provided with the accessory.

To change the saw blade:

1. Remove the battery pack.
2. Set the blade angle (bevel) to 0° and lock it in place.
3. Raise the blade by turning the height adjusting wheel clockwise.
4. Remove the riving knife.
5. Remove the throat plate.
6. Press in the spindle lock and rotate the spindle/blade until the lock engages.
7. Use the blade wrench to loosen the blade bolt counterclockwise. Carefully remove the blade bolt and blade flange by hand. Remove the blade. Wipe the blade bolt, flanges and spindle to remove dust and debris. Inspect the parts for damage. Replace if needed.




8. Match the arrow direction on the replacement saw blade with the arrow direction on the riving knife. The teeth should point toward the front of the table saw. Slide the blade onto the spindle.
9. Install the outer blade flange. The flat side of the flange must rest against the blade.

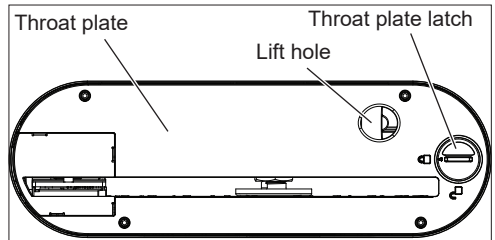



10. Hand-thread the blade bolt. Once the spindle starts to spin, press in the spindle lock and rotate the blade until the lock engages. Securely tighten clockwise with the blade wrench.
11. Reinstall the appropriate throat plate, riving knife, and anti-kickback pawls for the application.
12. Check blade guard and anti-kickback pawls move freely before starting the saw. Ensure the blade teeth match the direction of rotation indicated on the riving knife.

Changing the Throat Plate

⚠WARNING Always use the appropriate throat plate for the operation. Different blades may require different throat plates. Never operate the saw without a throat plate in place.

1. Remove the battery pack.
2. Lower the blade by turning the height adjusting wheel counterclockwise.
3. To remove a throat plate, turn the throat plate latch to  unlocked.



4. Use the hole to lift the throat plate out.
5. To install a throat plate, slide the back end into the slot and drop the front into place. Turn the throat plate latch to  locked. The throat plate must be flush with the saw table.

Changing the Riving Knife

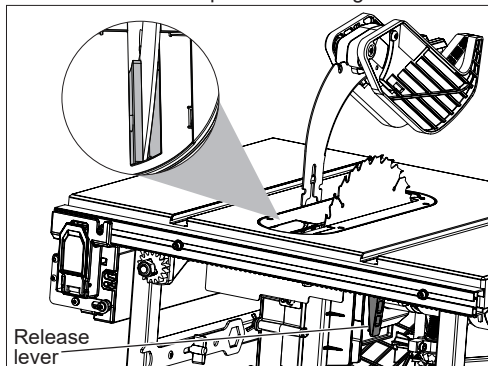
WARNING Use the appropriate saw blade for the riving knife. Match kerf width of blade (>1.8 mm) and blade body thickness (<1.55 mm) with the marking on the riving knife to reduce the risk of kickback. Failure to heed this warning could result in personal injury.

Two riving knives are provided with the saw; the *riving knife with guard*, and the *riving knife without guard*. The *riving knife with guard* should be used for through cutting operations for maximum protection against kickback. When performing an operation that requires "non-through cutting", use the *riving knife without guard*. Do not use any riving knife when making a dado cut.

Store the riving knife on the table saw frame when not in use (see "Functional Description" for storage location).

To change the riving knife:

1. Remove the battery pack.
2. Raise the blade by turning the height adjusting wheel clockwise.
3. Release the riving knife release lever.
4. To **remove**, pull the riving knife straight up.
5. To **install**, insert the riving knife into the slot directly behind the blade until it is firmly seated. **NOTE:** if the release lever is not fully open, the riving knife may not fully seat.
6. Close the riving knife release seat lever fully.
7. Gently tug on the riving knife to ensure it is locked into place.
8. When using the riving knife with guard, lift the guard legs and ensure they move independently and contact the table top. The guard legs can be raised to line up the cut, but must be lowered to contact the table top before starting the saw.



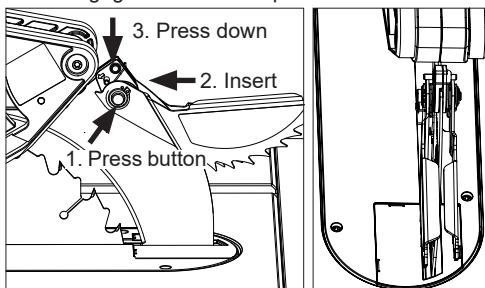
Installing Anti-kickback Pawls

WARNING Always install the anti-kickback pawls onto the riving knife with guard when performing "through cutting" operations.

Replace dull or damaged anti-kickback pawls. Dull or damaged pawls may not stop a kickback increasing the risk of serious personal injury.

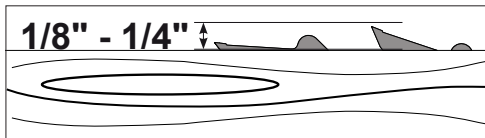
Anti-kickback pawls should only be installed for through cuts.

1. Remove the battery pack.
2. Raise the blade by turning the height adjusting wheel clockwise.
3. Install the riving knife with guard.
4. Press in the pawl release button and insert the slot in the pawl joint into the riving knife notch. Press down on the joint. **NOTE:** It may be easier to install the pawls from the front of the saw.
5. Gently tug on the pawl joint to ensure it is locked into place. Ensure the pawls move freely and are not engaged in the throat plate slot.



Changing Blade Depth

The blade depth should be set so that the outer points of the blade are higher than the workpiece by approximately 1/8" to 1/4" but the lowest points (gullets) are below the top surface.



1. Remove the battery pack.
2. **Lower** the blade by turning the height adjusting wheel counterclockwise.
3. **Raise** the blade by turning the height adjusting wheel clockwise.

Installing and Moving the Rip Fence

To install the rip fence on one of the fence posts:

1. Open the fence latches.
2. Fit the notches in the fence over the corresponding fence posts.
3. Close the fence latches.
4. Check that the fence is square to the blade (see "Blade to Fence Adjustment" in Maintenance).

To move the rip fence:

1. Pull the fence lock forward.
2. Use the fence adjusting knob to move the rip fence left or right.
3. Push the fence lock back.

To use the extending rip fence as a table extension:

Use the extending rip fence to hold the edge of the workpiece when the fence is moved out past the end of the table.

1. Pull the fence lock forward.
2. Use the fence adjusting knob to move the extending rip fence out past the edge of the table.
3. Flip the fence extension over. The tab on the extending rip fence will fit into the lower slot on the fence.
4. Adjust the fence as needed and push the fence lock back.

To use the extending rip fence when cutting thin (3/4" or less) workpieces close to the blade:

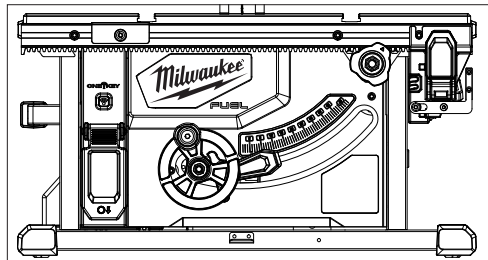
NOTE: Only use the extending rip fence in this position for workpieces 3/4" thick or less. For thicker workpieces, use the miter gauge.

Always use a push stick to keep hands at least 3" away from the blade.

1. Pull the fence lock forward.
2. Use the fence adjusting knob to move position the rip fence.
3. Flip the fence extension over. Slide the extending rip fence back, then push down. The tab on the extending rip fence will fit into the upper slot on the fence.
4. Adjust the fence as needed and push the fence lock back.
5. **NOTE:** If the fence is adjusted close to the blade, ensure the guard and anti-kickback pawls move freely. They may rest on top of the fence extension. **WARNING!** Never stand directly in line with the blade. Thin cut-off pieces can be thrown out and toward the operator when the anti-kickback pawls are not engaged with the wood.

To store the fence:

When making a cross cut or storing the tool, remove and store the rip fence, as shown. The fence fits around the fence lock. **NOTE,** the fence rail cannot be adjusted when the fence is in the storage position.



Using an Auxiliary Fence

Use an auxiliary fence for cutting thin pieces of wood, such as veneer panels, that could get pinched under the rip fence. To create an auxiliary fence, clamp a 1x4 piece of lumber (without beveled edges) to the rip fence and flush to the table.

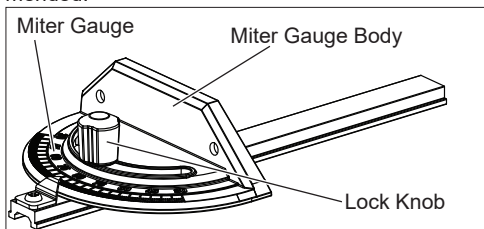
Changing Blade Angle (Bevel)

NOTE: A 90° cut has a 0° bevel and a 45° cut has a 45° bevel.

1. Remove the battery pack.
2. Lift the bevel locking lever.
3. Grasp the height adjusting wheel and slide to the desired bevel angle.
4. Push down the bevel locking lever.
5. Check fence clearance before making a cut. Make a sample cut before beginning work.

Using the Miter Gauge

The miter gauge provides greater accuracy in angled cuts. For very close tolerances, test cuts are recommended.



There are two miter gauge grooves, one on either side of the blade. When making a 90° cross cut, you can use either miter gauge groove. When making a beveled cross cut (the blade tilted in relation to the table) the miter gauge should be located in the groove on the right so that the blade is tilted away from the miter gauge and your hands.

The miter gauge can be turned 60° to the right or left.

1. Loosen the lock knob.
2. With the miter gauge in the miter gauge groove, rotate the gauge until the desired angle is reached on the scale.
3. Tighten the lock knob securely.

Dust Collection

WARNING Collected sawdust from coated (polyurethanes, linseed oil, etc.) workpieces can self-ignite and cause fire. To reduce the risk of fire, empty frequently and never store or leave a saw without totally emptying sawdust.

The dust chute at the back of the saw can be connected to a vacuum hose (diameter 2.5"/62.6 mm). To install, push and twist the hose onto the dust chute. Leave dust chute open to direct dust down into a garbage can.

Transporting and Storing

Always store all saw parts, such as the fence, miter gauge, riving knife, riving knife with guard, and blade wrench, with the saw when transporting and storing. Lower the blade, remove the battery pack and/or lock-out the ON/OFF switch before transporting or storing the saw.

ONE-KEY™

To learn more about the ONE-KEY™ functionality for this tool, please reference the Quick Start guide included with this product or go to milwaukee-tool.com/One-Key. To download the ONE-KEY™ app, visit the App Store or Google Play from your smart device.

NOTE: High electronic discharge from the tool may cause the ONE-KEY™ app to lose connection. Follow the prompts in the app to reconnect.

OPERATION

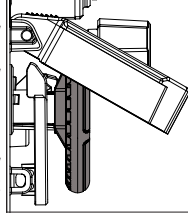
⚠WARNING To reduce the risk of injury, always wear safety goggles or glasses with side shields. Wear hearing protection and respiratory protection.

ALWAYS lock-out the trigger when the tool is not in use. Insert a standard padlock or zip tie behind the switch to prevent starting by untrained users.

ALWAYS make sure your workpiece is not in contact with the blade before start the tool. Workpiece contact may cause the workpiece to be kicked back toward the operator and result in serious personal injury.

Never stand directly in line with the blade or allow hands to come closer than 3" to the blade. Do not reach over or across the blade. Contact with the blade can result in serious personal injury.

Ensure the saw is on a stable, level surface before use.



Causes of Kickback

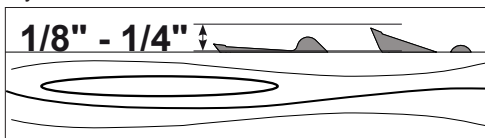
Kickback can occur when the blade stalls or binds, kicking the workpiece back toward you with great force and speed. If your hands are near the saw blade, they may be jerked loose from the workpiece and may contact the blade. Obviously, kickback can cause serious injury, and it is well worth using precautions to avoid the risks.

Kickback can be caused by any action that pinches the blade in the wood such as:

- Making a cut with incorrect blade depth
- Sawing into knots or nails in the workpiece
- Twisting the wood while making a cut
- Failing to support work
- Forcing a cut
- Cutting warped or wet lumber
- Using the wrong blade for the type of cut
- Not following correct operating procedures
- Misusing the saw
- Failing to use the anti-kickback pawls
- Cutting with a dull, gummed-up, or improperly set blade

Avoiding Kickback

• Always use the correct blade depth setting. The top of the blade teeth should clear the workpiece by 1/8" to 1/4".



- Inspect the work for knots or nails before beginning a cut. Knock out any loose knots with a hammer. Never saw into a loose knot or nail.
- Always use the rip fence when rip cutting. Use the miter gauge when cross cutting. This helps prevent twisting the wood in the cut.
- Always use clean, sharp, and properly-set blades. Never make cuts with dull blades.
- To avoid pinching the blade, support the work properly before beginning a cut.
- When making a cut, use steady, even pressure. Never force cuts.
- Do not cut wet or warped lumber.
- Use extra caution when cutting some prefinished or composition wood products as the anti-kickback pawls may not always be effective.
- Always guide your workpiece with both hands or with push sticks and/or push blocks. Keep your body in a balanced position to be ready to resist kickback should it occur. Never stand directly in line with the blade.
- Use of a featherboard will help hold the workpiece securely against the saw table or fence.
- Clean the saw, blade guard, under the throat plate, and any areas where saw dust or scrap workpieces may gather.
- Use the right type of blade for the cut being made.
- Always use the riving knife for every operation where it is allowed. The use of this device will greatly reduce the risk of kickback.

Turning Saw ON/OFF

⚠WARNING Carefully check and lock all adjustments, and rotate the blade one full revolution to assure proper clearance before inserting the battery pack. Improper blade clearance and loose adjustments can result in serious personal injury.

⚠WARNING When making a cross cut, make sure the blade guard is installed and working properly to avoid serious personal injury.

⚠WARNING To reduce the risk of injury, always wear safety goggles or glasses with side shields. Wear hearing protection and respiratory protection.

Remove zip tie before first use.

1. Check all adjustments.
2. Insert the battery pack.
3. Line up the workpiece, but do not make contact with the blade. **NOTE:** When using the riving knife with guard, the guard legs can be raised to line up the cut, but must be lowered to contact the table top before starting the saw.
4. To turn the saw **ON**, lift the switch cover and then lift the switch.
5. To turn the saw **OFF**, press the switch cover down.

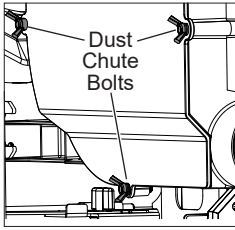
⚠WARNING Do not allow familiarity with tools to make you careless. Remember that a careless fraction of a second is sufficient to inflict severe injury.

Do not use any attachments or accessories not recommended by the manufacturer of this tool. The use of attachments or accessories not recommended can result in serious personal injury.

Clearing a Jam/Cleaning the Dust Chute

To clear a jam:

1. Turn **OFF** the tool.
2. Remove the battery pack.
3. If unable to clear the jam by removing the throat plate, remove the three bolts from the dust chute and remove the jam or debris from the dust compartment. Clean dust chute completely.
4. Reinstall all components and check all adjustments before restarting work.



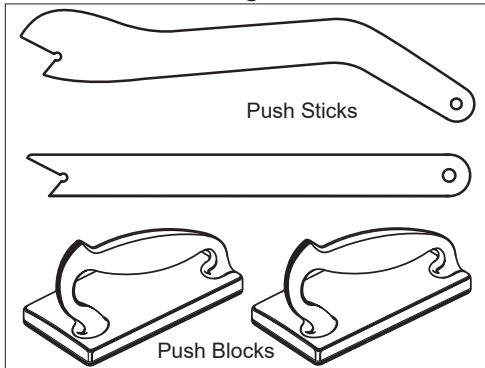
APPLICATIONS

Use this tool for the purposes listed below:

- Straight line cutting operations such as cross cutting, ripping, mitering, beveling, and compound cutting
- Dado with optional accessories
- Cabinet making and woodworking

NOTE: This table saw is designed to cut wood and wood composition products only. Do not cut metal. Do not cut plastics.

Cutting Aids



Push sticks are devices that may be used for pushing a workpiece through the blade in any rip cut. When making non-through cuts or ripping narrow stock, always use a push stick, push block, and/or featherboard so your hands do not come within 3" of the saw blade. Use the push stick provided with the table saw, or they can be made in various sizes and shapes from scrap wood and used in a specific project. The stick must be narrower than the workpiece, with a 90° notch in one end and shaping for a grip on the other end.

A push block has a handle fastened by recessed screws from the underside. Use push blocks for narrow cuts and all non-through cuts.

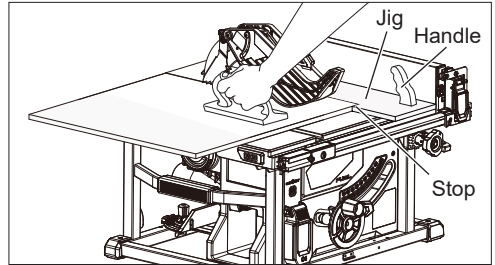
CAUTION Be sure the screws in a push block are recessed to avoid damaging the saw or workpiece.

How to Make a Jig (For rip cutting narrow workpiece)

If ripping a narrow workpiece places the hands too close to the blade, it will be necessary to make and use a jig.

To make a jig:

1. Attach a handle to a long, straight piece of wood and secure from the underside using recessed screws.
2. Cut an L-shaped stop in the side of the jig.



To use a jig:

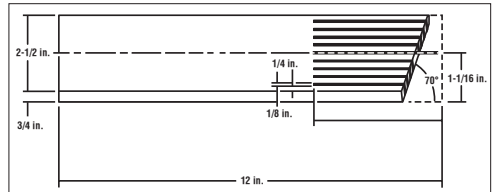
1. Position the workpiece flat on the table with the edge flush against the jig and against the stop.
2. Holding the jig handle and using a push block and/or push stick, make the rip cut.

Featherboard

WARNING Place the featherboard against the uncut portion of the workpiece to avoid kickback that could cause serious personal injury.

A featherboard is a device used to help control the workpiece by holding it securely against the table or fence. Featherboards are especially useful when ripping small workpieces and for completing non-through cuts. The end is angled with a number of short kerfs to give a friction hold on the workpiece and locked in place on the table with a C-clamp. Test to ensure it can resist kickback.

How to Make a Featherboard

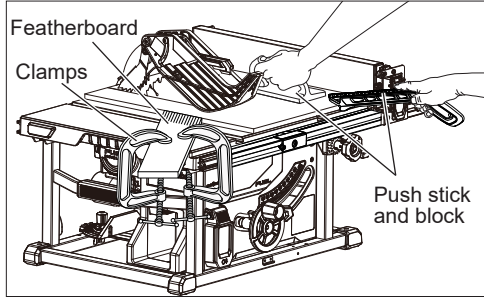


Select a solid piece of lumber approximately 3/4" thick, 2-1/2" wide and 12" long. Mark the center of the width on one end of the stock. Miter the width to 70°. Prepare the board from the widest point at four inches. Prepare the saw for ripping. Set the rip fence to allow approximately a 1/4" "finger" to be cut in the stock. Feed the stock only to the mark previously made at 4". Turn the saw **OFF** and allow the blade to completely stop rotating before removing the stock. Reset the rip fence and cut spaced rips into the workpiece to allow approximately 1/4" fingers and 1/8" spaces between the fingers.

How to Mount a Featherboard

⚠WARNING Do not locate the featherboard to the rear of the workpiece. If positioned improperly, kickback can result from the featherboard pinching the workpiece and binding the blade in the saw kerf. Failure to heed this warning can result in serious personal injury.

Completely lower the saw blade. Position the rip fence to the desired adjustment for the cut to be performed and lock. Place the workpiece against the fence and over the saw blade area. Adjust the featherboard to apply resistance to the workpiece just forward of the blade. Attach C-clamps to further secure the featherboard to the edge of the saw table.



⚠WARNING Always make sure the riving knife with blade guard and anti-kickback pawls are in place and working properly when making these cuts to avoid possible injury.

Always use a push stick with small pieces of wood, and also to finish the cut when ripping a long narrow piece of wood, to prevent your hands from getting close to the blade.

Types of Cuts

There are six basic cuts: the cross cut, the rip cut, the miter cut, the bevel cross cut, the bevel rip cut, and the compound (bevel) miter cut. All other cuts are combinations of these basic six. Operating procedures for making each kind of cut are given later in this section.

	<p>Cross Cut - Straight, 90° cuts made across the grain of the workpiece. The wood is fed into the cut at a 90° angle to the blade, and the blade is vertical.</p>
	<p>Rip Cut - Cuts made with the grain of the wood. To avoid kickback while making a rip cut, make sure one side of the wood rides firmly against the rip fence.</p>
	<p>Miter Cut - Cuts made with the wood at any angle to the blade other than 90°. The blade is vertical. Miter cuts tend to "creep" during cutting. This can be controlled by holding the workpiece securely against the miter gauge.</p>
	<p>Bevel Cross Cut - Cuts made with an angled blade. Bevel cross cuts are across the wood grain, and bevel rip cuts are with the grain.</p>
	<p>Bevel Rip Cut - Cuts made with an angled blade. Bevel cross cuts are across the wood grain, and bevel rip cuts are with the grain.</p>
	<p>Compound (Bevel) Miter Cut - Cuts made with an angled blade on wood that is angled to the blade. Be thoroughly familiar with making cross cuts, rip cuts, bevel cuts, and miter cuts before trying a compound miter cut.</p>

Cutting Rules

This table saw can perform a variety of cuts that are not all mentioned in this manual. **DO NOT** attempt to make any cuts not covered here unless you are thoroughly familiar with the proper procedures and necessary accessories. Your local library has many books on table saw usage and specialized wood-working procedures for your reference.

- Dado and rabbet cuts are non-through cuts which can be either rip cuts or cross cuts. Carefully read and understand all sections of this operator's manual before attempting these operations.
- The kerf (the cut made by the blade in the wood) will be wider than the blade to avoid overheating or binding. Make allowance for the kerf when measuring wood.
- Make sure the kerf is made on the waste side of the measuring line.
- Cut the wood with the finish side up.
- Knock out any loose knots with a hammer before making the cut.
- Always provide proper support for the wood as it comes out of the saw.

WARNING To reduce the risk of injury from kickback, check for proper alignment after tool has been stored, dropped or bumped, or used extensively. A tool that is out of alignment will cause binding and could result in serious personal injury. See "Maintenance" for proper adjustment procedure.

WARNING Carefully check and lock all adjustments, and rotate the blade one full revolution to assure proper clearance before inserting the battery pack. Improper blade clearance and loose adjustments can result in serious personal injury.

WARNING Stand slightly to the side of the blade path to reduce the chance of injury should kickback occur.

WARNING Do not use blades rated less than the speed of this tool. Failure to heed this warning could result in personal injury.

Making a Cross Cut

WARNING Make sure the blade guard assembly is installed and working properly to avoid serious possible injury.

Using the rip fence as a cutoff gauge when cross cutting will result in kickback which can cause serious personal injury.

1. Remove the battery pack.
2. Remove the rip fence.
3. Set the blade to the correct depth for the workpiece.
4. Set the miter gauge to 0° and tighten the lock knob.
5. Insert the battery pack.
6. Make sure the wood is clear of the blade before turning on the saw.

NOTE: It is recommended that you place the piece to be saved on the left side of the blade and that you make a test cut on scrap wood first.

7. Turn **ON** the saw. Allow the saw to come to full speed.

8. Hold the workpiece firmly with both hands on the miter gauge and feed the workpiece into the blade. **NOTE:** The hand closest to the blade should be placed on the miter gauge lock knob and the hand farthest from the blade should be placed on the workpiece.
9. Turn **OFF** the saw. Wait for the blade to come to a complete stop before removing the workpiece.

Making a Rip Cut

WARNING Make sure the blade guard assembly is installed and working properly to avoid serious possible injury.

WARNING Taper cuts must only be made with a special jig, which is commercially available. Do not attempt a free hand taper cut on this saw. Failure to follow these instructions could result in serious personal injury.

1. Remove the battery pack.
 2. Remove the miter gauge.
 3. Install feather board in the appropriate position for the cut being made.
 4. Set the blade to the correct depth for the workpiece.
 5. Position the rip fence the desired distance from the blade for the cut and lock in place.
 6. When ripping a long workpiece, place a support the same height as the table surface behind the saw for the cut work.
 7. Position the workpiece flat on the table with the edge flush against the rip fence.
 8. Insert the battery pack.
 9. Make sure the wood is clear of the blade before turning on the saw.
 10. Turn **ON** the saw. Allow the saw to come to full speed.
 11. Hold the workpiece firmly against the rip fence and table. **WARNING! Keep hands at least 3" away from the blade at all times!** If ripping a narrow piece, use a push stick and/or push blocks to move the piece through the cut and past the blade. Once the blade has made contact with the workpiece, use the hand closest to the rip fence to guide it. Make sure the edge of the workpiece remains in solid contact with both the rip fence and the surface of the table. If ripping a narrow piece, use a push stick and/or push blocks to move the piece through the cut and past the blade.
2. Turn **OFF** the saw. Wait for the blade to come to a complete stop before removing the workpiece.

Making a Miter Cut

⚠WARNING Make sure the blade guard assembly is installed and working properly to avoid serious possible injury.

Using the rip fence as a cutoff gauge when cross cutting will result in kickback which can cause serious personal injury.

The miter gauge must be on the right side of the blade to avoid trapping the wood and causing kickback. Placement of the miter gauge to the left of the blade will result in kickback and the risk of serious personal injury.

1. Remove the battery pack.
2. Remove the rip fence.
3. Set the blade to the correct depth for the workpiece.
4. Set the miter gauge to the desired angle and tighten the lock knob.
5. Insert the battery pack.
6. Make sure the wood is clear of the blade before turning on the saw.
7. Turn **ON** the saw. Allow the saw to come to full speed.
8. Hold the workpiece firmly with both hands on the miter gauge and feed the workpiece into the blade.
NOTE: The hand closest to the blade should be placed on the miter gauge lock knob and the hand farthest from the blade should be placed on the workpiece.
9. Turn **OFF** the saw. Wait for the blade to come to a complete stop before removing the workpiece.

Making a Bevel Cross Cut

⚠WARNING Make sure the blade guard assembly is installed and working properly to avoid serious possible injury.

Using the rip fence as a cutoff gauge when cross cutting will result in kickback which can cause serious personal injury.

The miter gauge must be on the right side of the blade to avoid trapping the wood and causing kickback. Placement of the miter gauge to the left of the blade will result in kickback and the risk of serious personal injury.

1. Remove the battery pack.
2. Remove the rip fence.
3. Adjust the bevel angle to the desired setting.
4. Set the blade to the correct depth for the workpiece.
5. Set the miter gauge to 0° and tighten the lock knob.
6. Insert the battery pack.
7. Make sure the wood is clear of the blade before turning on the saw.
8. Turn **ON** the saw. Allow the saw to come to full speed.
9. Hold the workpiece firmly with both hands on the miter gauge and feed the workpiece into the blade. **NOTE:** The hand closest to the blade should be placed on the miter gauge lock knob and the hand farthest from the blade should be placed on the workpiece.
10. Turn **OFF** the saw. Wait for the blade to come to a complete stop before removing the workpiece.

Making a Bevel Rip Cut

⚠WARNING Make sure the blade guard assembly is installed and working properly to avoid serious possible injury.

The rip fence must be on the right side of the blade to avoid trapping the wood and causing kickback. Placement of the rip fence to the left of the blade will result in kickback and the risk of serious personal injury.

1. Remove the battery pack.
2. Remove the miter gauge.
3. Install feather board in the appropriate position for the cut being made.
4. Adjust the bevel angle to the desired setting.
5. Set the blade to the correct depth for the workpiece.
6. Position the rip fence the desired distance from the blade for the cut and lock in place.
7. When ripping a long workpiece, place a support the same height as the table surface behind the saw for the cut work.
8. Position the workpiece flat on the table with the edge flush against the rip fence.
9. Insert the battery pack.
10. Make sure the wood is clear of the blade before turning on the saw.
11. Turn **ON** the saw. Allow the saw to come to full speed.
12. Hold the workpiece firmly against the rip fence and table. **WARNING! Keep hands at least 3" away from the blade at all times!** If ripping a narrow piece, use a push stick and/or push blocks to move the piece through the cut and past the blade. Once the blade has made contact with the workpiece, use the hand closest to the rip fence to guide it. Make sure the edge of the workpiece remains in solid contact with both the rip fence and the surface of the table. If ripping a narrow piece, use a push stick and/or push blocks to move the piece through the cut and past the blade.
13. Turn **OFF** the saw. Wait for the blade to come to a complete stop before removing the workpiece.

Making a Compound (Bevel) Miter Cut

⚠WARNING Make sure the blade guard assembly is installed and working properly to avoid serious possible injury.

The miter gauge must be on the right side of the blade to avoid trapping the wood and causing kickback. Placement of the miter gauge to the left of the blade will result in kickback and the risk of serious personal injury.

1. Remove the battery pack.
2. Remove the rip fence.
3. Adjust the bevel angle to the desired setting.
4. Set the blade to the correct depth for the workpiece.
5. Set the miter gauge to the desired angle and tighten the lock knob.
6. Insert the battery pack.
7. Make sure the wood is clear of the blade before turning on the saw.
8. Turn **ON** the saw. Allow the saw to come to full speed.

9. Hold the workpiece firmly with both hands on the miter gauge and feed the workpiece into the blade. **NOTE:** The hand closest to the blade should be placed on the miter gauge lock knob and the hand farthest from the blade should be placed on the workpiece.
10. Turn **OFF** the saw. Wait for the blade to come to a complete stop before removing the workpiece.

Making a Large Panel Cut

Make sure the saw is properly secured to a work surface to avoid tipping from the weight of a large panel.

⚠WARNING Make sure the blade guard assembly is installed and working properly to avoid serious possible injury.

Never make freehand cuts (cuts without the miter gauge or rip fence). Unguided workpieces can result in serious injury.

1. Remove the battery pack.
2. Set the blade to the correct depth for the workpiece.
3. Depending on the shape of the panel, use the rip fence or miter gauge. If the panel is too large to use either the rip fence or the miter gauge, *it is too large for this saw.*
4. Place a support the same height as the table surface behind the saw for the cut work. Add supports to the sides as needed.
5. Install a feather board in the appropriate position for the cut being made.
6. Make sure the wood is clear of the blade before turning on the saw.
7. Turn **ON** the saw. Allow the saw to come to full speed.
8. Use proper hand positions for cross cut or rip cut, as necessary.
9. Turn **OFF** the saw. Wait for the blade to come to a complete stop before removing the workpiece.

Making a Non-Through Cut

Non-through cuts can be made with the grain (ripping) or across the grain (cross cut). The use of a non-through cut is essential to cutting grooves, rabbets, and dadoes. This is the only type cut that is made without the riving knife with blade guard installed. Use the riving knife without blade guard. Make sure the blade guard assembly is reinstalled upon completion of this type of cut. Read the appropriate section which describes the type of cut in addition to this section on non-through or dado cuts. For example, if your non-through cut is a rip cut, read and understand the section on rip cuts before proceeding.

⚠WARNING When making a non-through cut, the blade is covered by the workpiece during most of the cut. Be alert to the exposed blade at the start and finish of every cut to reduce the risk of personal injury.

Never feed wood with your hands when making any non-through cut such as rabbets or dadoes. To avoid personal injury, always use push blocks, push sticks, and featherboards.

Do not make complex non-through cuts, such as plunge cuts, resawing, moulding head cutting, or plowing.

1. Remove the battery pack.
2. Remove the riving knife with blade guard and anti-kickback pawls.
3. Install the riving knife.
4. Adjust the bevel angle to 0°.
5. Set the blade to the correct depth for the workpiece.
6. Depending on the shape and size of the workpiece, use the rip fence or miter gauge.
7. Install a feather board in the appropriate position for the cut being made.
8. Insert the battery pack.
9. Make sure the wood is clear of the blade before turning on the saw.
10. Turn **ON** the saw. Allow the saw to come to full speed.
11. Use a push stick and/or push blocks to move the piece into the cut.
12. Turn **OFF** the saw. Wait for the blade to come to a complete stop before removing the workpiece.
13. Once all non-through cuts are complete, remove the battery pack and reinstall the riving knife with guard and anti-kickback pawls.

Making a Dado Cut

⚠WARNING Blades are sharp. Wear work gloves when handling blades.

Always remove riving knife before making a dado cut.

An optional dado throat plate is required for this procedure (For a complete listing of accessories, go online to www.milwaukeetool.com or contact a distributor). All blades and dado sets must not be rated less than the speed of this tool. This saw is designed for use with a 6" stack dado (up to width of 3/4"). Do not use an adjustable dado or molding cutters on this saw.



⚠WARNING When making a non-through cut, the blade is covered by the workpiece during most of the cut. Be alert to the exposed blade at the start and finish of every cut to reduce the risk of personal injury.

To avoid personal injury, always use push blocks, push sticks, and featherboards.

1. Remove the battery pack.
2. Remove the riving knife with blade guard and anti-kickback pawls.
3. Remove the standard blade and install the dado blade, according to manufacturer instructions, using the blade and chippers appropriate for the desired width of cut. **NOTE:** Always store the throat plate, blade, flange, and bolt in a secure location.
4. Install the dado throat plate and rotate the blade by hand to make sure it turns freely then lower the blade.
5. Depending on the shape and size of the workpiece, use the rip fence or miter gauge.
6. Install a feather board in the appropriate position for the cut being made.
7. Insert the battery pack.
8. Make sure the wood is clear of the blade before turning on the saw.
9. Turn **ON** the saw. Allow the saw to come to full speed.
10. Use a push stick and/or push blocks to move the piece into the cut.
11. Turn **OFF** the saw. Wait for the blade to come to a complete stop before removing the workpiece.
12. Once all non-through cuts are complete, remove the battery pack and reinstall the standard blade, throat plate, riving knife with guard and anti-kickback pawls.

Troubleshooting

Problem	Cause	Solution
Excess vibration.	Blade is out of balance.	Replace blade.
	Blade is damaged.	Replace blade.
	Saw is not mounted securely.	Tighten all hardware.
	Work surface is uneven.	Reposition on flat surface. Adjust legs of optional stand.
	Blade is warped.	Check saw blade installation. Replace blade if necessary.

Rip fence does not move smoothly.	Rip fence not mounted correctly. Rails are dirty or sticky.	Remount the rip fence. Clean rails.
Cutting binds or burns work.	Blade is dull.	Replace or sharpen blade.
	Blade is heeling.	See <i>Blade to Miter Slot Adjustment (Heeling)</i> .
	Work is fed too fast.	Slow the feed rate.
	Rip fence is misaligned.	Align the rip fence.
	Wood is warped.	Replace the wood. Always cut with convex side to table surface.
	Riving knife is out of alignment.	See <i>Riving Knife to Saw Blade Adjustment</i> .
Wood edges away from rip fence when ripping.	Blade not properly sharpened or set.	Resharpener or set blade.
Saw does not make accurate 90° or 45° cuts.	Bevel adjustment is out of alignment.	See <i>Bevel Adjustments at 0° and 45°</i>
Height adjusting hand-wheel is hard to turn.	Gears or screw post inside cabinet are clogged with saw dust.	Clean the gears or screw post.
Saw does not start.	Battery pack is at end of charge.	Charge battery pack.
	Battery pack contacts are dirty.	Clean battery pack contacts.
Blade makes poor cuts.	Blade is dull or dirty.	Clean, sharpen, or replace blade.
	Blade is wrong type for cut being made.	Replace with correct type.
	Blade is mounted backwards.	Remount blade.
Motor labors in rip cut.	Blade not proper for rip cut.	Change blade; rip blade typically has fewer teeth.
	Work is fed to fast into blade.	Slow feed rate.
Saw shuts off unexpectedly	Battery over-temperature	Allow battery to cool for 10 minutes before use.

MAINTENANCE

⚠WARNING To reduce the risk of injury, always unplug the charger and remove the battery pack from the charger or tool before performing any maintenance. Never disassemble the tool, battery pack or charger. Contact a MILWAUKEE service facility for ALL repairs.

Maintaining Tool

Keep your tool, battery pack and charger in good repair by adopting a regular maintenance program. Inspect your tool for issues such as undue noise, misalignment or binding of moving parts, breakage of parts, or any other condition that may affect the tool operation. Return the tool, battery pack, and charger to a MILWAUKEE service facility for repair. After six months to one year, depending on use, return the tool, battery pack and charger to a MILWAUKEE service facility for inspection.

If the tool does not start or operate at full power with a fully charged battery pack, clean the contacts on the battery pack. If the tool still does not work properly, return the tool, charger and battery pack, to a MILWAUKEE service facility for repairs.

⚠WARNING To reduce the risk of injury from kickback, check for proper alignment after tool has been stored, dropped or bumped, or used extensively. A tool that is out of alignment will cause binding and could result in serious personal injury.

When making adjustments, follow this order:

1. Throat Plate Adjustment
2. Blade Angle (Bevel) Adjustments at 0° and 45°
3. Blade to Miter Slot Adjustment
4. Blade to Fence Adjustment
5. Riving Knife to Saw Blade Adjustment

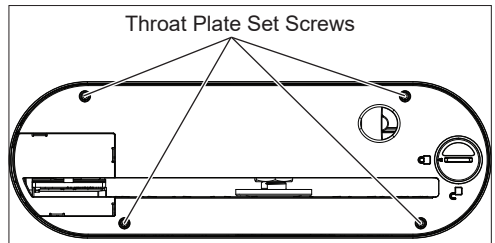
⚠WARNING To reduce the risk of injury, always remove the battery pack before performing any maintenance or adjustments.

1. Adjusting the Throat Plate

⚠WARNING Always use the appropriate throat plate for the operation. Different blades may require different throat plates. Never operate the saw without a throat plate in place.

A properly adjusted throat plate is important for a smooth cut. The *front* of the throat plate must be slightly lower or flush with the table top. The *back* of the throat plate must be slightly higher than the table top (0 to 0.027"). Check throat plate each time the throat plate is changed, and periodically before use. If the throat plate is not properly adjusted:

1. Remove the battery pack.
2. Remove the riving knife with guard.
3. Lower the blade by turning the height adjusting wheel counterclockwise.
4. Use the throat plate set screws (2.5 mm) to adjust the front and back heights.
5. Re-measure and repeat until the throat plate is properly adjusted.



2. Blade Angle (Bevel) Adjustment at 0° and 45°

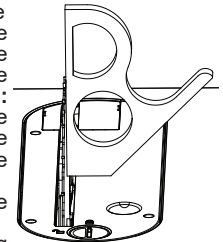
The angle settings of the saw have been set at the factory and, unless damaged in shipping, should not require setting during assembly. After extensive use, they should be rechecked and adjusted if necessary.

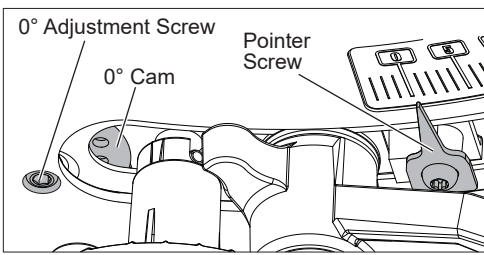
1. Remove the battery pack.
2. Set the blade angle to 0° and lock into place.
3. Raise the blade by turning the height adjusting wheel clockwise.
4. Remove the riving knife.

To check for 0°:

5. Place a combination square beside the blade on the right. The edge of the square and the saw blade should be parallel. **NOTE:** Make sure that the square contacts the flat part of the saw blade, not the blade teeth.
6. If the blade and square are not parallel:

- Unlock the bevel locking lever.
- Loosen the 0° adjustment screw.





- Adjust the blade to the 0° position
- Lock the bevel locking lever.
- Rotate the cam until it contacts the bevel
- Tighten the adjustment screw. Check again for square and continue to adjust if needed.

7. Once square, loosen the pointer screw and adjust the pointer to 0°.

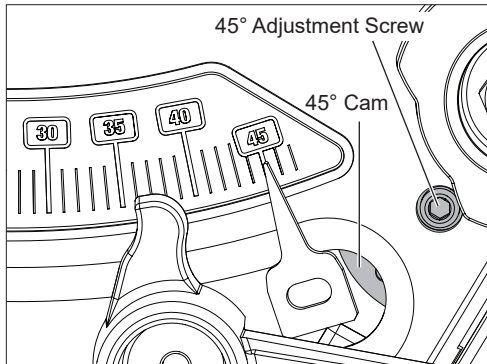
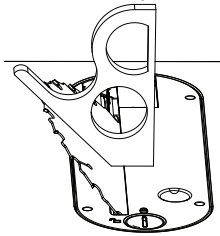
To check for 45°:

8. Set the blade angle to 45° and lock into place.

9. Place a combination square beside the blade on the right using the 45° side. The edge of the 45° side of the square and the saw blade should be parallel. **NOTE:** Make sure that the square contacts the flat part of the saw blade, not the blade teeth.

10. If the blade and square are not parallel:

- Unlock the bevel locking lever.
- Loosen the 45° adjustment screw.

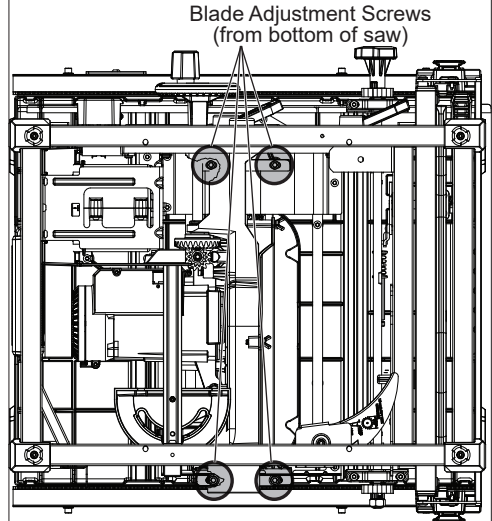


- Adjust the blade to the 45° position
- Lock the bevel locking lever.
- Rotate the cam until it contacts the bevel
- Tighten the adjustment screw. Check again for square and continue to adjust if needed.

11. Make a test cut at both 0° and 45° to check.

3. Blade to Miter Slot Adjustment (Heeling)

1. Remove the battery pack.
2. Set the blade angle (bevel) to 0° and lock into place.
3. Raise the blade by turning the height adjusting wheel clockwise.
4. Measure from front of blade to miter slot and back of blade to miter slot. They must be equal.
5. If the blade is not square to the miter slot, loosen the front or back blade adjustment screws (4 mm hex) located from the bottom of the saw.



6. Slide the blade compartment left or right and tighten the blade adjustment screws.

7. Recheck the front and back blade to slot measurements again.

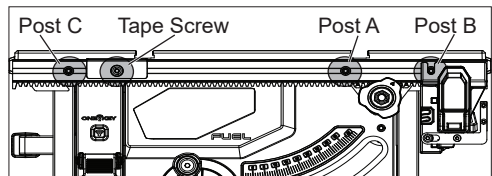
8. Repeat until the blade is square to the miter slot.

4. Blade to Fence Adjustment

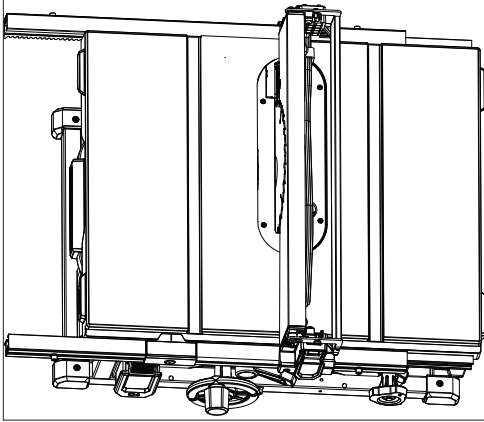
The rip fence must be parallel to the saw blade and the miter gauge grooves.

⚠WARNING A misaligned rip fence can cause kickbacks and jams. To reduce the risk of injury, always maintain proper rip fence alignment.

1. Remove the battery pack.
2. Set the blade angle (bevel) to 0° and lock into place.
3. Raise the blade by turning the height adjusting wheel clockwise.
4. Remove the riving knife with guard.
5. Lock the fence onto Post A.



- Slide the fence over to touch blade and lock the fence lock lever.

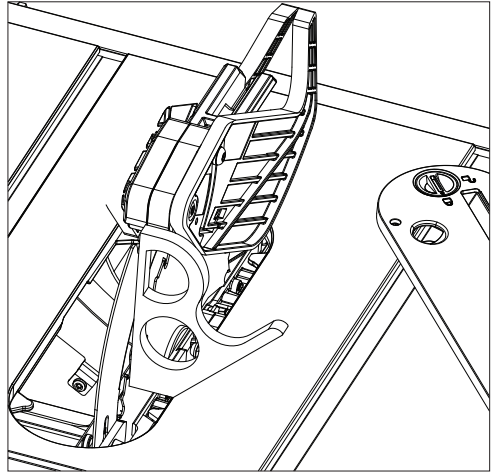


- Blade should contact fence evenly, front to back.
- If not, use a 4 mm hex wrench to loosen the appropriate fence post (front and/or back). Slide the post left or right as needed, and tighten securely.
- Repeat until the fence touches the blade evenly.
- To adjust the rip scale indicator to zero, use a 4 mm hex wrench to loosen the bolt and slide the indicator to line up with zero on the silver tape. Retighten the bolt.
- Lock the fence onto Post B.
- Measure from front of blade to fence and back of blade to fence. Both must be 4".
- If not, use a 4 mm hex wrench to loosen the appropriate fence post (front and/or back). Slide the post left or right as needed, and tighten securely.
- Repeat until the fence measures 4" from front of blade to fence and back of blade to fence. Fence should rest completely on fence rail with hanging off the edge of the fence rail.
- Lock the fence onto Post C.
- Slide the fence over to touch blade and lock the fence lock lever.
- Blade should contact fence evenly, front to back.
- If not, use a 4 mm hex wrench to loosen the appropriate fence post (front and/or back). Slide the post left or right as needed, and tighten securely.
- Repeat until the fence touches the blade evenly. Fence should rest completely on fence rail with hanging off the edge of the fence rail.
- Make two or three test cuts on scrap wood from each fence location. If the cuts are not true, repeat the process.

5. Riving Knife to Saw Blade Adjustment

To check the alignment of the riving knife:

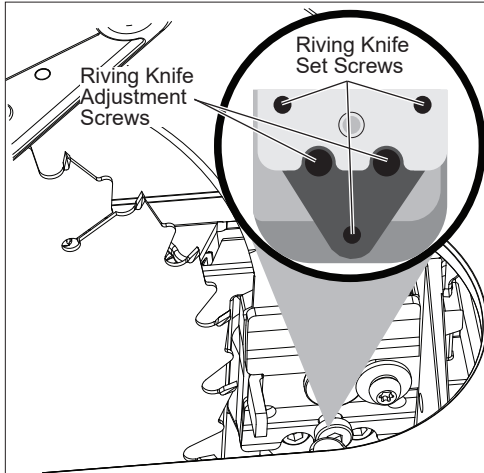
- Remove the battery pack.
- Raise the blade by turning the height adjusting wheel clockwise.
- Remove the anti-kickback pawls from the riving knife with blade guard.
- Remove the riving knife and place flat on the table. Riving knife must lay flat and not tip when an edge is touched. If the riving knife is not flat, replace the riving knife before using the saw.
- Place a speed square or straight edge against riving knife over the saw blade. The saw blade and riving knife are aligned when the speed square contacts the riving knife on BOTH sides, without making contact with the blade. There should be a very thin gap between the square and the blade. The square should not contact the blade teeth.



If the riving knife is out of alignment with the saw blade, adjustment is needed. The riving knife must be in alignment front to back (horizontally) and top to bottom (vertically).

To adjust:

1. Remove the battery pack.
2. Remove the throat plate.
3. Install the blade.
4. Install the riving knife or riving knife with guard.
NOTE: Recheck and adjust for each change in riving knife or blade.
5. Loosen the riving knife adjustment screws (4 mm hex).



6. Tighten or loosen the 3 riving knife set screws (2.5 mm hex) as needed.
7. Tighten the riving knife adjustment screws.
8. Recheck both sides of the blade/riving knife.
9. Repeat until riving knife is properly adjusted to the blade.
10. Once adjusted, remove the riving knife, reinstall the throat plate, then reinstall the riving knife and anti-kickback pawls (if appropriate for the operation).

ONE-KEY™

⚠ WARNING Chemical Burn Hazard. This device contains a lithium button/coin cell battery. A new or used battery can cause severe internal burns and lead to death in as little as 2 hours if swallowed or enters the body. Always secure the battery cover. If it does not close securely, stop using the device, remove the batteries, and keep it away from children. If you think batteries may have been swallowed or entered the body, seek immediate medical attention.



Internal Battery

An internal battery is used to facilitate full ONE-KEY™ functionality. Turn the saw over to access the battery door.

To replace the battery:

1. Remove the battery pack.
2. Remove the screw and open the battery door.
3. Remove the old battery, keep it away from children, and dispose of it properly.
4. Insert the new battery (3V CR2032), with the positive side facing up.
5. Close the battery door and tighten the screw securely.

⚠ WARNING To reduce the risk of personal injury and damage, never immerse your tool, battery pack or charger in liquid or allow a liquid to flow inside them.

Cleaning

Clean dust and debris from vents. Keep handles clean, dry and free of oil or grease. Use only mild soap and a damp cloth to clean, since certain cleaning agents and solvents are harmful to plastics and other insulated parts. Some of these include gasoline, turpentine, lacquer thinner, paint thinner, chlorinated cleaning solvents, ammonia and household detergents containing ammonia. Never use flammable or combustible solvents around tools.

Repairs

For repairs, return the tool, battery pack and charger to the nearest service center.

ACCESSORIES

⚠ WARNING Use only recommended accessories. Others may be hazardous.

For a complete listing of accessories, go online to www.milwaukeetool.com or contact a distributor.

SERVICE - UNITED STATES

1-800-SAWDUST (1.800.729.3878)

Monday-Friday, 7:00 AM - 6:30 PM CST

or visit www.milwaukeetool.com

Contact Corporate After Sales Service Technical Support with technical, service/repair, or warranty questions.

Email: metproductsupport@milwaukeetool.com

Become a Heavy Duty Club Member at www.milwaukeetool.com to receive important notifications regarding your tool purchases.

SERVICE - CANADA

Milwaukee Tool (Canada) Ltd

1.800.268.4015

Monday-Friday, 7:00 AM - 4:30 PM CST

or visit www.milwaukeetool.ca

LIMITED WARRANTY USA & CANADA

Every MILWAUKEE power tool* (see exceptions below) is warranted to the original purchaser only to be free from defects in material and workmanship. Subject to certain exceptions, MILWAUKEE will repair or replace any part on an electric power tool which, after examination, is determined by MILWAUKEE to be defective in material or workmanship for a period of five (5) years** after the date of purchase unless otherwise noted. Return of the power tool to a MILWAUKEE factory Service Center location or MILWAUKEE Authorized Service Station, freight prepaid and insured, is required. A copy of the proof of purchase should be included with the return product. This warranty does not apply to damage that MILWAUKEE determines to be from repairs made or attempted by anyone other than MILWAUKEE authorized personnel, misuse, alterations, abuse, normal wear and tear, lack of maintenance, or accidents.

Normal Wear: Many power tools need periodic parts replacement and service to achieve best performance. This warranty does not cover repair when normal use has exhausted the life of a part including, but not limited to, chucks, brushes, cords, saw shoes, blade clamps, o-rings, seals, bumpers, driver blades, pistons, strikers, lifters, and bumper cover washers.

*This warranty does not cover Air Nailers & Staplers; Airless Paint Sprayer; Cordless Battery Packs; Gasoline Driven Portable Power Generators; Hand Tools; Hoist – Electric, Lever & Hand Chain; M12™ Heated Gear; Reconditioned Product; and Test & Measurement Products. There are separate and distinct warranties available for these products.

**The warranty period for Job Site Radios, M12™ Power Port, M18™ Power Source, Jobsite Fan and Trade Titan™ Industrial Work Carts is one (1) year from the date of purchase. The warranty period for the Drain Cleaning Cables is two (2) years from the date of purchase. The warranty period for the M18™ Compact Heat Gun and the 8 Gallon Dust Extractor is three (3) years from the date of purchase. The warranty period for the LED in the LED Work Light and the LED Upgrade Bulb for the Work Light is the lifetime of the product subject to the limitations above. If during normal use the LED or LED Bulb fails, the part will be replaced free of charge.

Warranty Registration is not necessary to obtain the applicable warranty on a MILWAUKEE power tool product. The manufacturing date of the product will be used to determine the warranty period if no proof of purchase is provided at the time warranty service is requested.

ACCEPTANCE OF THE EXCLUSIVE REPAIR AND REPLACEMENT REMEDIES DESCRIBED HEREIN IS A CONDITION OF THE CONTRACT FOR THE PURCHASE OF EVERY MILWAUKEE PRODUCT. IF YOU DO NOT AGREE TO THIS CONDITION, YOU SHOULD NOT PURCHASE THE PRODUCT. IN NO EVENT SHALL MILWAUKEE BE LIABLE FOR ANY INCIDENTAL, SPECIAL, CONSEQUENTIAL OR PUNITIVE DAMAGES, OR FOR ANY COSTS, ATTORNEY FEES, EXPENSES, LOSSES OR DELAYS ALLEGED TO BE AS A CONSEQUENCE OF ANY DAMAGE TO, FAILURE OF, OR DEFECT IN ANY PRODUCT INCLUDING, BUT NOT LIMITED TO, ANY CLAIMS FOR LOSS OF PROFITS. SOME STATES DO NOT ALLOW THE EXCLUSION OR LIMITATION OF INCIDENTAL OR CONSEQUENTIAL DAMAGES, SO THE ABOVE LIMITATION OR EXCLUSION MAY NOT APPLY TO YOU. THIS WARRANTY IS EXCLUSIVE AND IN LIEU OF ALL OTHER EXPRESS WARRANTIES, WRITTEN OR ORAL, TO THE EXTENT PERMITTED BY LAW, MILWAUKEE DISCLAIMS ANY IMPLIED WARRANTIES, INCLUDING WITHOUT LIMITATION ANY IMPLIED WARRANTY OF MERCHANTABILITY OR FITNESS FOR A PARTICULAR USE OR PURPOSE; TO THE EXTENT SUCH DISCLAIMER IS NOT PERMITTED BY LAW, SUCH IMPLIED WARRANTIES ARE LIMITED TO THE DURATION OF THE APPLICABLE EXPRESS WARRANTY AS DESCRIBED ABOVE. SOME STATES DO NOT ALLOW LIMITATIONS ON HOW LONG AN IMPLIED WARRANTY LASTS, SO THE ABOVE LIMITATION MAY NOT APPLY TO YOU, THIS WARRANTY GIVES YOU SPECIFIC LEGAL RIGHTS, AND YOU MAY ALSO HAVE OTHER RIGHTS WHICH VARY FROM STATE TO STATE.

This warranty applies to product sold in the U.S.A. and Canada only. Please consult the 'Service Center Search' in the Parts & Service section of MILWAUKEE's website www.milwaukeeool.com or call 1.800.SAWDUST (1.800.729.3878) to locate your nearest service facility for warranty and non-warranty service on a Milwaukee electric power tool.

LIMITED WARRANTY - MEXICO, CENTRAL AMERICA & CARIBBEAN

TECHTRONIC INDUSTRIES' Warranty is for 5 years since the original purchase date.

This warranty card covers any defect in material and workmanship on this Product.

To make this warranty valid, present this warranty card, sealed/stamped by the distributor or store where you purchased the product, to the Authorized Service Center (ASC). Or, if this card has not been sealed/stamped, present the original proof of purchase to the ASC. Call toll-free 01 (800) 030-7777 to find the nearest ASC, for service, parts, accessories or components.

Procedure to make this warranty valid

Take the product to the ASC, along with the warranty card sealed/stamped by the distributor or store where you purchased the product, and any faulty piece or component will be replaced without cost for you. We will cover all freight costs relative with this warranty process.

Exceptions

This warranty is not valid in the following situations

- When the product is used in a different manner from the end-user guide or instruction manual.
- When the conditions of use are not normal.
- When the product was modified or repaired by people not authorized by TECHTRONIC INDUSTRIES.

Note: If cord set is damaged, it should be replaced by an Authorized Service Center to avoid electric risks.

SERVICE AND ATTENTION CENTER

Call to 01 (800) 030-7777

IMPORTED AND COMMERCIALIZED BY
TECHTRONIC INDUSTRIES MEXICO, SA DE CV
Av President Masarik #29 piso 7, Col. Polanco V Seccion
CP 11560, Deleg. Miguel Hidalgo, CDMX

Model: _____

Date of Purchase: _____

Distributor or Store Stamp: _____

RÈGLES DE SÉCURITÉ GÉNÉRALES RELATIVES AUX OUTILS ÉLECTRIQUES

⚠️ AVERTISSEMENT Lire toutes les consignes de sécurité, consignes,

illustrations et spécifications fournies avec cet outil électrique. Ne pas suivre l'ensemble des règles et instructions peut entraîner une électrocution, un incendie ou des blessures graves. **Conservé les règles et les instructions à des fins de référence ultérieure.** Le terme «outil électrique» figurant dans les avertissements ci-dessous renvoie à l'outil électrique à alimentation par le réseau (à cordon) ou par batterie (sans fil).

SÉCURITÉ DU LIEU DE TRAVAIL

- **Veillez à ce que l'aire de travail soit propre et bien éclairée.** Le désordre et le manque de lumière favorisent les accidents.
- **Ne pas utiliser d'outils électriques dans des atmosphères explosives, par exemple en présence de liquides, gaz ou poussières inflammables.** Les outils électriques produisent des étincelles risquant d'enflammer les poussières ou vapeurs.
- **S'assurer que les enfants et les curieux se trouvent à une bonne distance au moment d'utiliser un outil électrique.** Les distractions peuvent causer une perte de contrôle.

SÉCURITÉ ÉLECTRIQUE

- Les fiches des outils électriques doivent correspondre à la prise secteur utilisée. Ne jamais modifier la fiche, de quelque façon que ce soit. Ne jamais utiliser d'adaptateurs de fiche avec des outils mis à la terre. Les fiches et prises non modifiées réduisent le risque de choc électrique.
- Éviter tout contact avec des surfaces mises à la terre comme des tuyaux, des radiateurs, des cuisinières et des réfrigérateurs. Le risque de choc électrique est accru lorsque le corps est mis à la terre.
- Ne pas exposer les outils électriques à l'eau ou l'humidité. La pénétration d'eau dans ces outils accroît le risque de choc électrique.
- Ne pas maltraiter le cordon d'alimentation. Ne jamais utiliser le cordon d'alimentation pour transporter l'outil électrique et ne jamais débrancher ce dernier en tirant sur le cordon. Garder le cordon à l'écart de la chaleur, de l'huile, des objets tranchants et des pièces en mouvement. Un cordon endommagé ou emmêlé accroît le risque de choc électrique.
- Pour les travaux à l'extérieur, utiliser un cordon spécialement conçu à cet effet. Utiliser un cordon conçu pour l'usage extérieur réduit les risques de choc électrique.
- Si l'utilisation d'un outil électrique est inévitable dans un endroit humide, utiliser une source d'alimentation munie d'un disjoncteur de fuite de terre. L'utilisation d'un disjoncteur de fuite de terre réduit le risque de choc électrique.

SÉCURITÉ INDIVIDUELLE

- Rester attentif, prêter attention au travail et faire preuve de bon sens lors de l'utilisation de tout outil électrique. Ne pas utiliser cet appareil en cas de fatigue ou sous l'influence de l'alcool, de drogues ou de médicaments. Un moment d'inattention pendant l'utilisation d'un outil électrique peut entraîner des blessures graves.
- Porter l'équipement de protection individuel requis. Toujours porter une protection oculaire. Selon les conditions, porter aussi un masque anti-poussières, des bottes de sécurité antidérapantes, un casque protecteur ou une protection auditive afin de réduire les blessures.
- Empêcher les démarrages accidentels. S'assurer que la gâchette est en position d'arrêt avant de brancher l'outil à une source de courant, d'insérer la batterie, de le ramasser ou de le transporter. Le fait de transporter un outil électrique en gardant le doigt sur la gâchette ou de mettre sous tension un outil électrique lorsque la gâchette est en position de marche favorise les accidents.
- Retirer les clés de réglage avant de mettre l'outil en marche. Une clé laissée sur une pièce rotative de l'outil peut causer des blessures.
- Ne pas travailler hors de portée. Toujours se tenir bien campé et en équilibre. Une bonne stabilité procure un meilleur contrôle de l'outil électrique en cas d'imprévu.
- Porter une tenue appropriée. Ne porter ni vêtements amples, ni bijoux. Garder les cheveux et les vêtements à l'écart des pièces en mouvement. Les vêtements flottants, les bijoux ou les cheveux longs risquent d'être happés par les pièces en mouvement.
- Si les outils sont équipés de dispositifs de dépoussiérage, s'assurer qu'ils sont connectés et correctement utilisés. L'utilisation d'un collecteur de poussière permet de réduire les dangers liés à la poussière.

- Ne pas laisser la familiarité avec l'outil acquise par une utilisation fréquente vous rendre suffisant et vous amener à ignorer les règles de sécurité. Une utilisation négligée peut causer une blessure grave en une fraction de seconde.

UTILISATION ET ENTRETIEN DE L'OUTIL ÉLECTRIQUE

- Ne pas forcer l'outil électrique. Utiliser l'outil électrique approprié pour l'application. Un outil électrique approprié exécutera le travail mieux et de façon moins dangereuse s'il est utilisé dans les limites prévues.
- Ne pas utiliser l'outil électrique si le commutateur ne permet pas de le mettre en marche ou de l'arrêter. Tout outil électrique qui ne peut pas être contrôlé par son commutateur est dangereux et doit être réparé.
- Débrancher l'outil et/ou retirer le bloc-piles, si possible, avant d'effectuer des réglages, de changer d'accessoire ou de remettre l'outil. Ces mesures de sécurité préventives réduisent les risques de démarrage accidentel de l'outil.
- Entreposer l'outil électrique hors de la portée des enfants et interdire à quiconque de l'utiliser si la personne ne connaît pas bien le produit ou les instructions. Les outils électriques sont dangereux dans les mains d'utilisateurs novices.
- Entretenir les outils électriques et les accessoires. Vérifier qu'aucune pièce mobile n'est mal alignée ou bloquée, qu'aucune pièce n'est brisée et s'assurer qu'aucun autre problème risque d'affecter le bon fonctionnement de l'outil. En cas de dommages, faire réparer l'outil avant de l'utiliser. Plusieurs accidents sont causés par des produits mal entretenus.
- Garder les outils bien affûtés et propres. Des outils correctement entretenus et dont les tranchants sont bien affûtés risquent moins de se bloquer et sont plus faciles à contrôler.
- Utiliser l'outil électrique, les accessoires, les embouts etc. conformément à ces instructions en tenant compte des conditions de travail et de la tâche à effectuer. L'usage d'un outil électrique pour des applications pour lesquelles il n'est pas conçu peut être dangereux.
- Garder les poignées et les surfaces de préhension sèches, propres et exemptes d'huile ou de graisse. Des poignées et des surfaces de préhension glissantes ne permettent pas de manipuler et de contrôler l'outil en toute sécurité en cas de situation imprévue.

UTILISATION ET ENTRETIEN DE LA BATTERIE

- Pour recharger le bloc-piles, utiliser seulement le chargeur spécifié par le fabricant. Un chargeur pouvant convenir à un type de bloc-piles peut entraîner un risque d'incendie lorsqu'il est utilisé avec un autre type de bloc-piles.
- N'utiliser l'outil électrique qu'avec une batterie recommandée. L'utilisation de tout autre bloc-piles peut créer un risque de blessures et d'incendie.
- Lorsque le bloc-piles n'est pas utilisé, le tenir éloigné des objets en métal tels que les trombones, les pièces de monnaie, les clés, les clous, les vis ou d'autres petits objets métalliques qui pourraient connecter les bornes. Le court-circuitage des bornes d'une pile peut entraîner des brûlures ou un incendie.

- **Éviter tout contact avec le liquide pouvant être éjecté de la pile en cas de manutention abusive. En cas de contact accidentel, rincer immédiatement les parties atteintes avec de l'eau. Si le liquide entre en contact avec les yeux, consulter un médecin.** Le liquide éjecté des piles peut causer des irritations ou des brûlures.
- **N'utiliser aucun bloc-piles ni aucun outil ayant été endommagé ou modifié.** Des piles endommagées ou modifiées peuvent adopter un comportement imprévisible pouvant causer un incendie, une explosion ou le risque de blessures.
- **Ne pas exposer le bloc-piles ou l'outil aux flammes ou à une température excessive.** Une exposition aux flammes ou à une température supérieure à 130°C (265°F) peut causer une explosion.
- **Suivre toutes les instructions de charge et ne pas charger le bloc-piles ou l'outil en dehors de la plage de température spécifiée.** Une charge incorrecte ou à des températures en dehors de la plage spécifiée peut endommager la pile et augmenter le risque d'incendie.

ENTRETIEN

- **Les réparations de l'outil électrique doivent être confiées à un technicien qualifié, utilisant exclusivement des pièces identiques à celles d'origine.** Le maintien de la sûreté de l'outil électrique sera ainsi assuré.
- **Ne jamais effectuer la réparation d'un bloc-piles endommagé.** La réparation du bloc-piles doit être réalisée par le fabricant ou les fournisseurs de service agréés uniquement.

RÈGLES DE SÉCURITÉ SPÉCIFIQUES POUR SCIE À TABLE

Avvertissements pour carters

- **Garder les carters en place. Les carters doivent être en bon état de fonctionnement et bien montés.** Il faut réparer ou remplacer tout carter qui soit desserré, endommagé ou qui ne fonctionne pas correctement.
- **Toujours utiliser un carter pour scie à table, couteau diviseur et dispositif anti-rebond pour toute opération de coupe.** À propos des opérations de coupes traversantes où la lame coupe tout à travers de la pièce de travail, le carter et tous les autres dispositifs de protection contribuent à minimiser les risques de blessures.
- **Remettre le système de protection immédiatement après la finition de toute opération (telle que des coupes de feuillure, rainurage et recoupage) qui exige l'enlèvement du carter, du couteau diviseur ou du dispositif anti-rebond.** Le carter, le couteau diviseur et le dispositif anti-rebond contribuent à minimiser les risques de blessures.
- **Veillez à vous assurer que la lame de la scie ne se met pas en contact avec le carter, le couteau diviseur ou la pièce de travail avant d'activer le commutateur.** Le contact imprévu de ces objets avec la lame de la scie pourra entraîner une situation dangereuse.
- **Régler le couteau diviseur selon les consignes dans ce manuel d'instructions.** L'écartement, le positionnement et l'alignement incorrects pourront rendre le couteau diviseur inefficace en vue de réduire la probabilité de rebond.
- **Il faut que le couteau diviseur et le dispositif anti-rebond soient mis en contact avec la pièce de travail pour qu'ils fonctionnent.** Le couteau

diviseur et le dispositif anti-rebond ne fonctionneront pas correctement pour le coupage de pièces de travail qui soient trop courtes pour utiliser le couteau diviseur et le dispositif anti-rebond. Dans ces conditions, c'est impossible que le couteau diviseur et le dispositif anti-rebond puissent éviter le rebond.

- **Utiliser la lame de scie appropriée pour le couteau diviseur.** Pour son fonctionnement correct, le diamètre de la lame de la scie doit convenir au couteau diviseur approprié, le corps de la lame de la scie doit être plus fin que l'épaisseur du couteau diviseur et l'épaisseur de la coupe fait par la lame de la scie doit être plus large que l'épaisseur du couteau diviseur.

Avvertissements à propos des méthodes de coupe

- **⚠ DANGER** **Ne jamais mettre vos doigts ni les mains à proximité ni dans la ligne de coupe de la lame de la scie.** Un moment d'inattention ou de glissement pourra faire que votre main se dirige vers la lame de la scie, ce qui provoquera des blessures physiques graves.
- **Passer la pièce de travail par la lame de la scie ou partie coupante seulement à la direction opposée de rotation.** Passer la pièce de travail vers la même direction de rotation de la lame de la scie pourra provoquer que votre main et la pièce de travail soient tirés vers la lame.
- **Ne jamais utiliser le guide d'onglet pour passer la pièce de travail lors des opérations de sciage et ne pas utiliser le guide longitudinal comme une butée de longueur lors d'une opération de coupe transversale avec le guide d'onglet.** Diriger la pièce de travail avec la butée de longueur et le guide d'onglet au même temps augmentera la probabilité de rebond et blocage dans la lame de la scie.
- **Lors des opérations de sciage, toujours appliquer de la force pour passer la pièce de travail entre la butée et la lame de la scie.** Utiliser un bâton pousoir au moment où la distance entre la butée et la lame de la scie soit moins de 150 mm et utiliser un bloc pousoir au moment où la distance soit moins de 50 mm. Les dispositifs de « facilitation de travail » vous aideront à tenir votre main à une distance sécuritaire par rapport de la lame de la scie.
- **Utiliser uniquement le bâton pousoir fourni par le fabricant ou conçu selon les instructions.** Le bâton pousoir prévoit la distance suffisante entre votre main et la lame de la scie.
- **Ne jamais utiliser un bâton pousoir endommagé ni coupé.** Un bâton pousoir endommagé pourra se casser, en provoquant que votre main se glisse vers la lame de la scie.
- **Ne jamais travailler à main « levée ».** Toujours utiliser le guide longitudinal ou le guide d'onglet pour positionner et guider la pièce de travail. « À main levée » signifie que vous utilisez vos mains, en lieu d'un guide longitudinal ou un guide d'onglet, pour soutenir ou guider la pièce de travail. Le sciage à main levée cause du désalignement, du blocage et du rebond.
- **Ne jamais allonger le bras autour ni au-dessus d'une lame en rotation.** S'allonger pour tenir une pièce de travail pourra causer un contact accidentel avec la lame en rotation.
- **Mettre un support supplémentaire pour la pièce de travail à l'arrière ou aux côtés de la table de**

la scie pour des pièces longues et larges afin de les tenir à niveau. Une pièce de travail longue ou large a tendance à pivoter sur le bord de la table, en provoquant la perte de contrôle, le blocage et le rebond de la lame.

• **Faire passer la pièce de travail à un rythme uniforme. Ne pas tordre ni tourner la pièce de travail. S'il y a de blocage, arrêter l'outil immédiatement ; ensuite veuillez le débrancher et corriger le blocage.** Le blocage de la lame de la scie par la pièce de travail peut provoquer le rebond dans le moteur ou son blocage.

• **Ne pas retirer les pièces coupées du matériel pendant que la scie soit allumée.** C'est possible que le matériel se coince entre le guide ou bien, dans le carter et la lame, en tirant vos doigts vers la lame. Avant de retirer le matériel, éteindre la scie et attendre jusqu'à ce que la lame parvienne à s'arrêter complètement.

• **Utiliser un guide auxiliaire mis en contact avec la partie supérieure de la table lors du sciage des pièces dont l'épaisseur soit moins de 2 mm.** Une pièce de travail fine pourra se tronçonner sous le guide longitudinal, ce qui provoquera du rebond.

Causes de rebond et avertissements associés

Le rebond est une réaction soudaine dans la pièce de travail à cause du pincement ou du coincement de la lame de la scie ou bien, du désalignement de la ligne de coupe dans la pièce de travail par rapport à la lame ou dans ce moment où la pièce de travail s'est coincée entre la lame et le guide longitudinal ou un autre objet fixe.

Le plus souvent durant le rebond, la pièce de travail s'élève sur la table par l'arrière de la lame et est projetée vers l'opérateur.

Le rebond est causé par une mauvaise utilisation de la scie et/ou des méthodes de travail incorrectes et il peut être évité en prenant les précautions suivantes :

• **Ne jamais se tenir en ligne avec la lame. Veuillez se tenir bien campé dans le même sens du guide par rapport à la lame.** Le rebond pourra provoquer que la pièce de travail se projette à toute vitesse vers quiconque dans le front et en ligne avec la lame de la scie.

• **Ne jamais s'allonger sous la lame de la scie ni derrière elle pour tirer ou soutenir la pièce de travail.** Le contact accidentel avec la lame de la scie pourra se passer ou bien, le rebond pourra traîner vos doigts vers la lame.

• **Ne jamais tenir et appuyer la pièce de travail qui est coupée contre la lame de la scie en rotation.** Appuyer sur la pièce de travail qui est coupée contre la lame de la scie causera une situation de blocage ainsi que du rebond.

• **Aligner le guide en parallèle avec la lame de la scie.** Un guide décalé pincera la pièce de travail contre la lame de la scie, ce qui provoquera du rebond.

• **Utiliser une cale-guide pour guider la pièce de travail contre la table et le guide lors de la réalisation de coupes non-traversantes, telles que de coupes de feuillure, rainurage et recoupage.** Une cale-guide contribue à contrôler la pièce de travail au cas de rebond.

• **Redoubler de prudence lors de la réalisation de coupes dans des zones de mauvaise visibilité de pièces de travail assemblées.** La lame peut heurter des objets ou matériaux, ce qui causera du rebond.

• **Soutenir les planches de grande taille afin d'éviter les risques de pincement de la lame et de rebond.** Les planches longues ont tendance à ployer sous leur propre poids. Les supports doivent se mettre au-dessus de tous les espaces de la planche suspendus sur la table.

• **Redoubler de prudence lors de la coupe d'une pièce de travail qui soit tordue, voilée ou bien, qui n'ait pas un bord droit pour la guider à l'aide d'un guide d'onglet ou d'un guide longitudinal.** Une pièce de travail tordue, voilée ou n'ayant pas un bord droit sera instable et provoquera qu'il y ait un désalignement dans le trait avec la lame, du blocage et du rebond.

• **Ne jamais couper plus d'une pièce à la fois, même qu'elles soient empilées verticalement ou horizontalement.** La lame de la scie pourrait heurter une ou plusieurs pièces, en provoquant du rebond.

• **Avant de remettre la scie en marche lorsqu'elle est engagée dans la pièce de travail, centrer la lame dans le trait de la scie et s'assurer que les dents ne mordent pas le matériel.** Si la lame se coince, il pourra soulever la pièce de travail et provoquer du rebond lorsque la scie se remet en fonction.

• **Garder les lames de la scie propres, bien affûtées et suffisamment avoyées. Ne jamais utiliser des lames tordues ni celles dont les dents soient fissurées ou cassées.** Les lames bien affûtées et avoyées minimisent le coincement, le calage et le rebond.

Avertissements à propos des méthodes d'opération de la scie à table

• **Éteindre la scie à table et débrancher le cordon d'alimentation lors de l'enlèvement de l'insert de la table, la substitution de la lame ou le réglage du couteau diviseur, le dispositif anti-rebond ou le carter de lame, et quand la machine est laissée sans surveillance.** Les mesures sécuritaires éviteront des accidents.

• **Ne jamais laisser la scie à table fonctionner sans surveillance. Il faut éteindre l'outil et attendre jusqu'à ce qu'il parvienne à un arrêt complet.** Une scie qui est laissée fonctionner sans surveillance est un danger incontrôlé.

• **Placer la scie à table dans un espace nivelé et bien illuminé où vous puissiez se tenir bien campé. Elle doit être installée dans un espace avec assez de place afin de manipuler facilement la taille de votre pièce de travail.** Les espaces sombres et exigus ainsi que les sols glissants sont propices aux accidents.

• **Nettoyer fréquemment et retirer la poussière accumulée sous la table ou dans le dispositif d'aspiration de poussière.** La poussière accumulée est inflammable et pourra s'enflammer spontanément.

• **La scie à table doit être assujettie.** La scie à table qui ne soit pas bien assujettie pourra se déplacer ou se basculer.

• **Retirer les outils, les fragments de bois, etc. de la table avant d'allumer la scie.** Une distraction ou un possible coincement peuvent être dangereux.

• **Toujours utiliser des lames dont l'alésage central soit de dimension et de forme adéquates (ruban tranchant au diamant ou à lame ronde).** Les lames incompatibles avec la quincaillerie de montage de la scie tourneraient en faux rond, causant la perte du contrôle.

• **Ne jamais utiliser de moyens de montage incorrects tels que d'écrous, de rondelles ou**

de boulons. Ces moyens de monture ont été spécialement conçus pour votre scie, la sécurité d'utilisation et sa performance maximale.

• **Ne jamais se mettre sur la scie à table ; ne pas l'utiliser comme tabouret.** Le basculement de l'outil ou le contact accidentel avec l'accessoire de coupe peut causer des blessures graves.

• **Veillez à vous assurer que la lame de la scie soit installée de telle façon qu'elle puisse tourner dans la direction correcte. Ne pas utiliser de meules, de brosses métalliques ni de meules abrasives avec une scie à table.** L'installation incorrecte de la lame ou l'utilisation d'accessoires non suggérés pourront causer des blessures graves.

• **Toujours faire preuve de bons sens et procéder avec prudence lors de l'utilisation d'outils.** C'est impossible de prévoir toutes les situations qui pourraient entraîner un résultat dangereux. Ne pas utiliser cet outil si vous n'arrivez pas à comprendre ces instructions d'opération ni si vous pensez que le travail dépasse votre capacité ; veuillez contacter Milwaukee Tool ou un professionnel pour recevoir plus d'information ou formation.

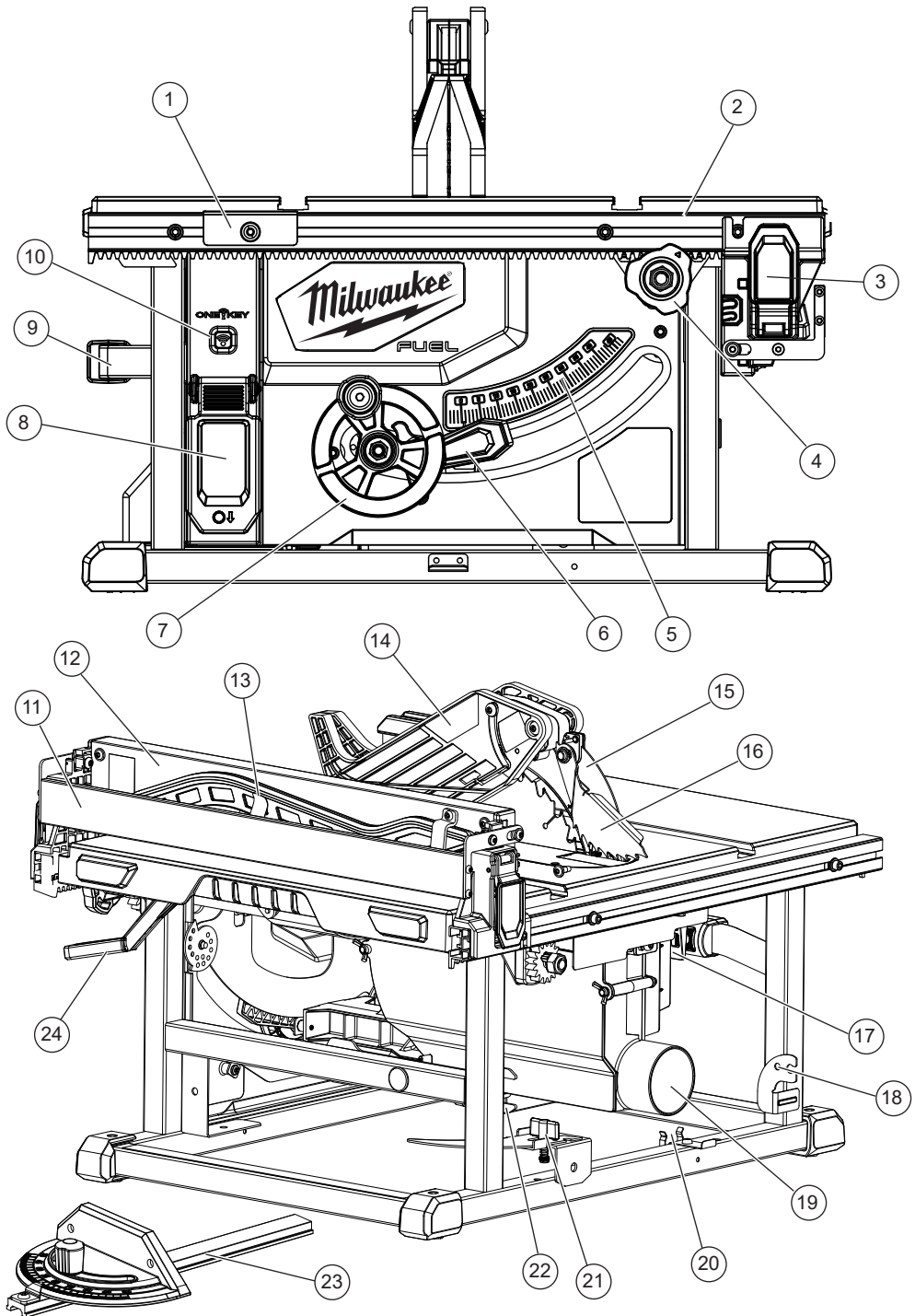
• **Maintenir en l'état les étiquettes et les plaques d'identification.** Des informations importantes y figurent. Si elles sont illisibles ou manquantes, contacter un centre de services et d'entretien MILWAUKEE pour un remplacement gratuit.

⚠ AVERTISSEMENT Certaines poussières générées par les activités de ponçage, de coupe, de rectification, de perçage et d'autres activités de construction contiennent des substances considérées être la cause de malformations congénitales et de troubles de l'appareil reproducteur. Parmi ces substances figurent:

• le plomb contenu dans les peintures à base de plomb ;
• la silice cristalline des briques, du ciment et d'autres matériaux de maçonnerie, ainsi que
• l'arsenic et le chrome des sciages traités chimiquement.
Les risques encourus par l'opérateur envers ces expositions varient en fonction de la fréquence de ce type de travail. Pour réduire l'exposition à ces substances chimiques, l'opérateur doit: travailler dans une zone bien ventilée et porter l'équipement de sécurité approprié, tel qu'un masque anti-poussière spécialement conçu pour filtrer les particules microscopiques.

1. Indicateur d'échelle longitudinale
2. Échelle longitudinale
3. Loquets de guide
4. Loquet de plaque à gorge
5. Échelle de biseau
6. Levier de verrouillage de biseau
7. Volant de réglage de hauteur
8. Couvercle de commutateur
9. Poignée de transport
10. Indicateur ONE-KEY™
11. Guide longitudinal allongé
12. Guide longitudinal
13. Bâton poussoir
14. Carter de lame
15. Couteau diviseur et ensemble protecteur de lame
16. Griffes anti-rebond
17. Levier de blocage du couteau diviseur
18. Rangement de griffes anti-rebond
19. Éjecteur de sciure
20. Rangement de rapporteur
21. Couteau diviseur sans protecteur / rangement de couteau diviseur
22. Clé de lame / rangement de clé de lame
23. Guide d'onglet
24. Verrou de guide longitudinal

DESCRIPTION FONCTIONNELLE



PICTOGRAPHIE



Volts



Courant direct

n_0 XXXX min⁻¹ Tours-minute à vide (RPM)



Lire le manuel de l'opérateur



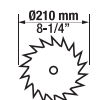
Porter une protection oculaire. Porter une protection respiratoire et auditive.



KTenir les mains et le corps hors du passage de la lame.



Convenir l'épaisseur de trait de la lame (>1,8 mm) et l'épaisseur du corps de la lame (<1,55 mm) avec le marquage dans le couteau diviseur afin de minimiser le risque de rebond.



Utiliser des lames pour scie de 210 mm (8-1/4") uniquement.



Convenir la direction de la flèche sur la lame à la direction de la flèche sur le couteau diviseur



UL Listing Mark pour Canada et États-unis

MONTAGE DE L'OUTIL

AVERTISSEMENT Ne recharger la batterie qu'avec le chargeur spécifié. Pour les instructions de charge spécifiques, lire le manuel d'utilisation fourni avec le chargeur et les batteries.

Insertion/Retrait de la batterie

Pour retirer la batterie, enfoncer les boutons de déverrouillage et la tirer hors de l'outil.

AVERTISSEMENT Il faut toujours retirer la batterie et verrouiller la détente de l'outil avant de changer ou d'enlever les accessoires.

Pour insérer la batterie, la glisser dans le corps de l'outil. S'assurer qu'elle est fixée solidement.

AVERTISSEMENT L'emploi d'accessoires autres que ceux qui sont expressément recommandés pour cet outil peut comporter des risques.

Si certaines pièces sont manquantes ou endommagées, remplacer les pièces avant d'utiliser cet outil. Utiliser ce produit même s'il contient des pièces endommagées ou s'il lui manque des pièces peut entraîner des blessures graves.

Ne pas essayer de modifier cet outil ou de créer des accessoires non recommandés pour lui. De telles altérations ou modifications sont considérées comme un usage abusif et peuvent créer des conditions dangereuses, risquant d'entraîner des blessures graves.

Ne pas insérer le bloc-piles avant d'avoir terminé l'assemblage. Le non-respect de cet avertissement peut causer un démarrage accidentel, entraînant des blessures graves.

Ne pas soulever la scie sans aide. La tenir près du corps. Garder les genoux pliés et la soulever en utilisant les jambes, pas le dos. Ne pas respecter ces mesures de précaution peut entraîner des problèmes lombaires.

Déballage

Ce produit doit être assemblé.

•Sortir la scie du carton avec précaution et la poser sur une surface de travail stable.

REMARQUE : Cet outil est lourd. Pour éviter des blessures au dos, garder vos genoux pliés, soulever avec vos jambes plutôt qu'avec votre dos et demander de l'aide si vous en avez besoin.

•Si l'outil est livré avec une batterie installée, retirez le bloc-piles.

•Enlevez tout emballage et attaches de fermeture éclair.

•Examiner soigneusement l'outil pour s'assurer que rien n'ait été brisé ni endommagé en cours de transport.

•Ne pas jeter les matériaux d'emballage avant d'avoir soigneusement examiné l'outil, s'être assuré qu'aucune pièce ne manque et avoir procédé à un essai satisfaisant.

SPÉCIFICATIONS

No de Cat.....	2736-20
Volts.....	18 CD
Type de batterie	M18™
Type de chargeur	M18™
Température ambiante de fonctionnement recommandée	
	-18°C à 50°C (0°F à 125°F)
Tr/Min sans charge	6 300
Axe de lame.....	5/8"
Diamètre de lame	210 mm (8-1/4")
Inclinaison de lame	-3° à 47°
Angle de guide d'onglet... 60° à droite ou à gauche	
Profondeur de coupe,	
biseau de 0°	63,5 mm (2,5")
biseau de 45°	44,5 mm (1,75")
Trait de lame.....	>1,8 mm minimal
	<2,2 mm maximale
Épaisseur du corps de lame ...	<1,55 mm maximale
Épaisseur de couteau diviseur	1,6 mm (0,063")

Montage de la scie à table

⚠ AVERTISSEMENT Veuillez s'assurer que la scie soit mise sur une surface nivelée et stable avant de l'utiliser.

Afin de disposer de stabilité supplémentaire, monter la scie à table sur le stand avec les trous de montage dans le cadre. Insérez les vis à un angle dans le cadre de la scie à table.

Il est aussi possible d'utiliser le stand pour scie à table.

Compréhension de la scie à table

Avant de régler ou utiliser la scie, il faut bien comprendre les éléments fondamentaux à propos de l'utilisation et la terminologie de la scie à table.

La partie supérieure de la lame dépasse la table et elle est insérée au centre d'une pièce appelée plaque à gorge. La hauteur de la lame est ajustée par un volant de réglage situé à l'avant du bâti. Le guide longitudinal est utilisé pour positionner les pièces à travailler par rapport aux coupes en longueur. Une échelle graduée pour guide longitudinal se trouve dans le rail avant, laquelle indique la distance entre le guide longitudinal et la lame. Il est très important d'utiliser le couteau diviseur avec le carter de lame et les griffes anti-rebond pour toutes les opérations de tronçonnage. Utiliser le guide d'onglet pour toutes les opérations de coupe transversale.

Les consignes détaillées sont incluses dans ce manuel afin de faire quelques opérations de réglage et coupes élémentaires : coupes transversales, coupes d'onglet, coupes en biseau et coupes composées. Cette scie à table n'est conçue que pour couper de bois et de produits dérivés du bois. Ne pas couper de métal. Ne pas couper de plastique.

Veuillez s'assurer que vous comprenez ces consignes avant de continuer

Sélection, installation et changement de lames

⚠ AVERTISSEMENT Ne pas utiliser de lames dont la vitesse de rotation nominale est inférieure à celle de l'outil. Le non-respect de cet avertissement pourrait entraîner des blessures graves.

⚠ AVERTISSEMENT Utiliser la lame de scie appropriée pour le couteau diviseur. Convenir l'épaisseur de trait de la lame (>1,8 mm) et l'épaisseur du corps de la lame (<1,55 mm) au marquage dans le couteau diviseur afin de minimiser le risque de rebond. Le non-respect de cet avertissement pourrait entraîner des blessures graves.

⚠ AVERTISSEMENT Les lames sont tranchantes. Porter des gants de travail lors du maniement de lames.

⚠ AVIS Pour fonctionner correctement, les dents de la lame de scie doivent être orientées vers le bas et le devant de la scie. Le non-respect de cet avertissement pourrait causer des dommages à la lame, la scie ou la pièce à travailler.

Toujours utiliser des lames propres et affûtées. Les lames émoussées ont tendance à surcharger l'outil, se tordre et provoquer du pincement. Utiliser seulement les lames pour une scie à table de 210 mm (8-1/4") avec une qualification minimale de 6 300 Tr/Min.

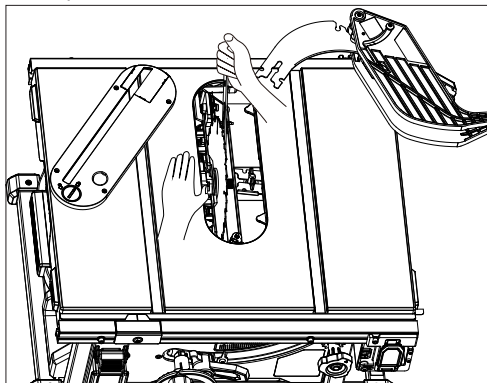
L'épaisseur du trait de la lame et l'épaisseur du corps de la lame doivent rester dans les limites marquées

dans le couteau diviseur. Ne pas utiliser de lames de coupe de métaux. Ne pas couper de plastique. La clé de lame doit être remise dans le cadre de la scie à table (voir la section de « Description fonctionnelle » pour en savoir plus à propos de l'emplacement de rangement).

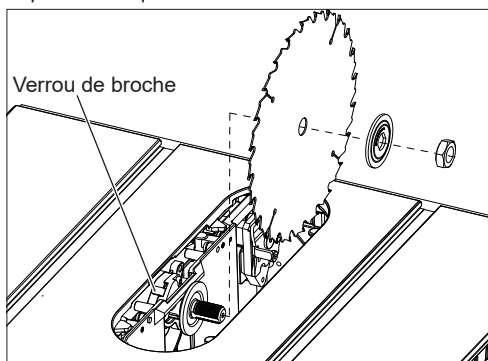
REMARQUE : Pour la substitution de la lame avec une lame spéciale, suivre les instructions fournies avec l'accessoire.

Pour remplacer la lame de la scie :

1. Retirer le bloc-piles.
2. Régler l'angle de la lame (biseau) à 0° et le verrouiller sur place.
3. Soulever la lame en tournant le volant de réglage de la hauteur à droite.
4. Retirer le couteau diviseur.
5. Retirer la plaque à gorge.
6. Appuyer sur le verrou de broche et tourner la lame/la broche jusqu'à ce que le verrou s'engage.
7. Utiliser la clé de lame pour desserrer le boulon de lame en le tournant à gauche. Retirer le boulon de lame et le flasque de lame avec précaution en utilisant vos mains. Retirer la lame. Essuyer l'écrou de la lame, les flasques et la broche pour retirer la poussière et les débris. Examiner les pièces présentant des fissures. Procéder à des remplacements, au besoin.



8. Convenir la direction de la flèche sur la lame de remplacement à la direction de la flèche sur le couteau diviseur. Les dents devront se diriger vers le front de la scie à table. Glisser la lame sur la broche.
9. Installer le flasque extérieur de la lame. Le côté plat du flasque doit rester contre la lame.

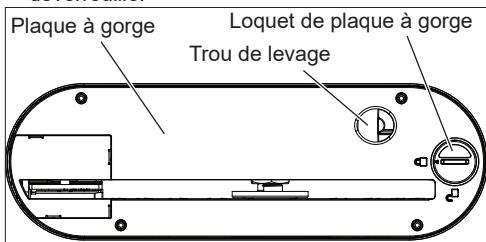


- Enfiler le boulon de la lame à main. Une fois la broche commence à tourner, appuyer sur le verrou de broche et tourner la lame jusqu'à ce que le verrou s'engage. Veuillez le serrer fermement en le tournant à droite avec la clé de lame.
- Réinstaller la plaque à gorge, le couteau diviseur et les griffes anti-rebond appropriées pour l'usage.
- Vérifier que le carter de lame et les griffes anti-rebond puissent se bouger librement avant de commencer le sciage. Veuillez s'assurer que les dents de la lame conviennent à la direction de rotation indiquée sur le couteau diviseur.

Changement de la plaque à gorge

⚠ AVERTISSEMENT Toujours utiliser la plaque à gorge appropriée pour l'opération. Des lames différentes pourront requérir des plaques à gorge différentes. Ne jamais utiliser la scie sans avoir mise la plaque à gorge en place.

- Retirer le bloc-piles.
- Abaisser la lame en tournant le volant de réglage de hauteur vers la gauche.
- Pour retirer une plaque à gorge, tourner le loquet de plaque à gorge jusqu'à ce qu'il soit déverrouillé.



- Utiliser le trou pour soulever la plaque à gorge jusqu'à la faire sortir.
- Pour installer une plaque à gorge, glisser la partie arrière sur la fente et laisser le front tomber sur place. Tourner le loquet de plaque à gorge pour le verrouiller. La plaque à gorge doit être au ras de la table de scie.

Changement du couteau diviseur

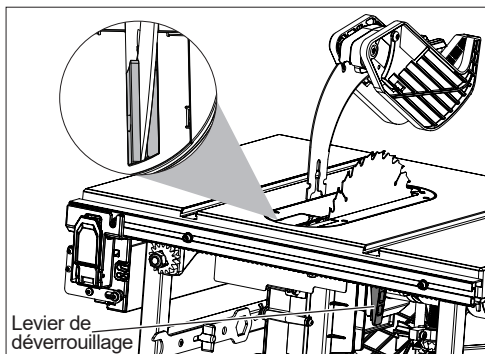
⚠ AVERTISSEMENT Utiliser la lame de scie appropriée pour le couteau diviseur. Convenir l'épaisseur de trait de la lame (>1,8 mm) et l'épaisseur du corps de la lame (<1,55 mm) au marquage dans le couteau diviseur afin de minimiser le risque de rebond. Le non-respect de cet avertissement pourrait entraîner des blessures graves.

Deux couteaux diviseurs sont fournis avec la scie : le couteau diviseur avec carter et le couteau diviseur sans carter. Le couteau diviseur avec carter doit être utilisé pour les opérations de tronçonnage pour une protection maximale contre le rebond. Lors de la réalisation d'une opération qui exige une « coupe non-traversante », veuillez utiliser le couteau diviseur sans carter. Ne pas utiliser aucun couteau diviseur lors d'une action de rainage.

Entreposer le couteau diviseur sur le cadre de scie à table quand n'est pas utilisé (voir la section de « Description fonctionnelle » pour en savoir plus à propos de l'emplacement de rangement).

Pour changer le couteau diviseur :

- Retirer le bloc-piles.
- Soulever la lame en tournant le volant de réglage de la hauteur à droite.
- Relâcher le levier de blocage du couteau diviseur.
- Pour le retirer, tirer du couteau diviseur en le soulevant.
- Pour l'installer, insérer le couteau diviseur dans la fente directement à l'arrière de la lame jusqu'à ce qu'il soit bien mis en place. **REMARQUE** : Si le levier de blocage n'est pas totalement ouvert, il est possible que le couteau diviseur ne soit pas bien mis en place.
- Fermer totalement le levier de blocage du couteau diviseur.
- Tirer sur le couteau diviseur doucement pour s'assurer qu'il soit verrouillé sur place.
- Lors de l'utilisation d'un couteau diviseur avec carter, soulever les pieds du carter et s'assurer qu'ils se bougent de façon indépendante et se mettent en contact avec la partie supérieure de la table. Il est possible de soulever les pieds pour les aligner avec le coupe, mais il faut les abaisser pour les mettre en contact avec la partie supérieure de la table avant de démarrer la scie.



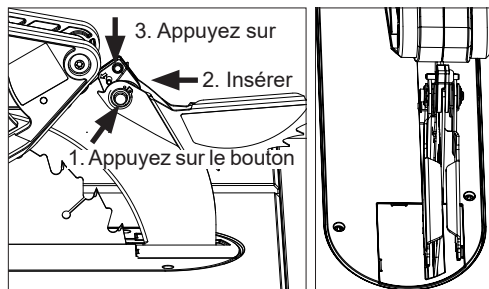
Installation de griffes anti-rebond

⚠ AVERTISSEMENT Toujours installer les griffes anti-rebond sur le couteau diviseur avec carter lors de la réalisation d'opérations de « coupes traversantes ».

Remplacer les griffes anti-rebond émoussées ou endommagées. Les griffes anti-rebond émoussées ou endommagées sont inaptes à freiner le rebond et augmentent les risques de blessures graves.

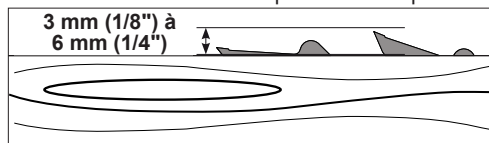
Les griffes anti-rebond ne doivent être installées que pour de coupes traversantes.

- Retirer le bloc-piles.
- Soulever la lame en tournant le volant de réglage de la hauteur à droite.
- Installer le couteau diviseur avec carter.
- Appuyer sur le bouton de déverrouillage de griffe et insérer la fente sur le joint de griffe dans le sifflet de couteau diviseur. Appuyez sur le joint. **REMARQUE** : Il peut être plus facile d'installer les cliquets de l'avant de la scie.
- Tirer sur la griffe doucement pour s'assurer qu'elle soit verrouillée sur place. S'assurer que les cliquets se déplacent librement et ne sont pas engagés dans la fente de la plaque de gorge.



Changement de la profondeur de la coupe

La profondeur de coupe doit être réglée pour que les pointes extérieures des dents de la lame dépassent la pièce de travail d'environ 3 à 6 mm (1/8" à 1/4") mais que les pointes les plus bas (creux) soient au-dessous de la surface supérieure de la pièce.



1. Retirer le bloc-piles.
2. **Baisser** la lame en tournant le volant de réglage de hauteur vers la gauche.
3. **Soulever** la lame en tournant le volant de réglage de la hauteur à droite.

Installation et mouvement de la guide longitudinal

Pour installer le guide longitudinal dans l'une des tiges :

1. Ouvrir les loquets du guide.
2. Convenir les encoches dans le guide aux tiges correspondantes.
3. Fermer les loquets du guide.
4. Vérifier que le guide soit carré par rapport à la lame (voir la section « Réglage de lame et guide » sous « Entretien »).

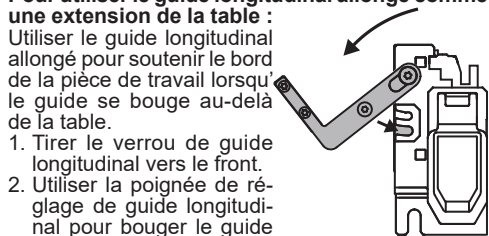
Pour bouger le guide longitudinal :

1. Tirer le verrou de guide longitudinal vers le front.
2. Utiliser la poignée de réglage de guide longitudinal pour bouger le guide longitudinal à droite ou à gauche.
3. Pousser le verrou vers l'arrière pour le verrouiller.

Pour utiliser le guide longitudinal allongé comme une extension de la table :

Utiliser le guide longitudinal allongé pour soutenir le bord de la pièce de travail lorsqu' le guide se bouge au-delà de la table.

1. Tirer le verrou de guide longitudinal vers le front.
2. Utiliser la poignée de réglage de guide longitudinal pour bouger le guide longitudinal allongé au-delà du bord de la table.
3. Retourner la prolongation du guide. L'onglet du guide longitudinal allongé conviendra à la fente inférieure du guide.
4. Régler le guide au besoin et pousser le verrou de guide vers l'arrière.



Pour utiliser le Guide de refente extensible lorsque vous coupez des pièces minces (19 mm (3/4") ou moins) à proximité de la lame: REMARQUE :

N'utilisez que le Guide de refente extensible dans cette position pour les pièces 19 mm (3/4") épais ou moins. Pour les pièces plus épaisses, utiliser la jauge d'onglet.

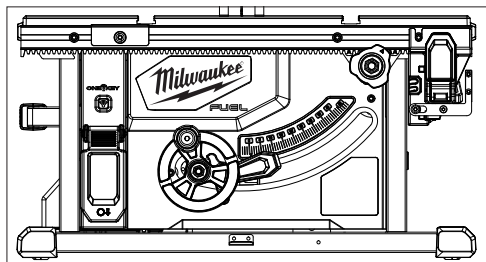
Toujours utiliser un bâton poussoir pour tenir les mains à une distance minimale de 76 mm (3") par rapport à la lame.

1. Tirer le verrou de guide longitudinal vers le front.
2. Utiliser la poignée de réglage de guide longitudinal pour bouger sa position.
3. Retourner la prolongation du guide. Glisser le guide longitudinal allongé sur l'arrière et après, le pousser vers le fond. L'onglet du guide longitudinal allongé conviendra à la fente supérieure du guide.
4. Régler le guide au besoin et pousser le verrou de guide vers l'arrière.
5. **REMARQUE :** Si le guide est réglé à proximité de la lame, assurez-vous que le garde et les cliquets anti-rebond se déplacent librement. Ils peuvent se reposer au-dessus de l'extension de barrière.

AVERTISSEMENT! Ne jamais se tenir directement en ligne avec la lame. Des morceaux de coupe minces peuvent être jetés et vers l'opérateur lorsque les cliquets anti-rebond ne sont pas engagés avec le bois.

Pour remiser le guide :

Lors de la réalisation d'une coupe transversale ou la rémission de l'outil, retirer et remiser le guide longitudinal, selon l'image ci-dessous. Le guide convient autour du verrou du guide. **REMARQUE :** Il n'est pas possible de régler le rail quand le guide soit en position de rémission.



Utilisation d'une clôture auxiliaire

Utilisez une clôture auxiliaire pour couper des morceaux de bois minces, tels que des panneaux de placage, qui pourraient se coincer sous le guide de refente. Pour créer une clôture auxiliaire, fixez un morceau de bois 25x102 mm (1x4) (sans bords biseautés) au guide de refente et rincez-le à la table.

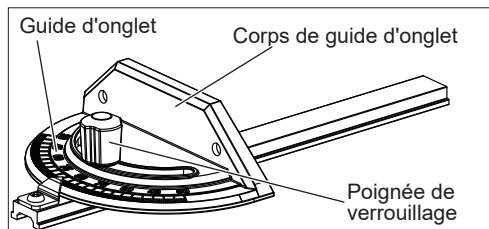
Changements d'angle de lame (biseau)

REMARQUE : Pour une coupe à 90°, le réglage de biseau est de 0° et pour une coupe à 45°, le réglage est de 45°.

1. Retirer le bloc-piles.
2. Soulever le levier de verrouillage de biseau.
3. Saisir le volant de réglage de hauteur et le tourner vers l'angle de biseau souhaité.
4. Pousser le levier de verrouillage de biseau vers le bas.
5. Vérifier le dégagement de guide avant de faire la coupe. Faire une coupe pilote avant de commencer à travailler

Utilisation du guide d'onglet

Le guide à onglet permet d'effectuer des coupes angulaires avec plus de précision. Il est recommandé d'effectuer des coupes d'essai lorsque les tolérances sont réduites.



Il y a deux rainures de guide d'onglet, une de chaque côté de la lame. Elles peuvent toutes les deux être utilisées pour les coupes transversales à 90°. Lors des coupes transversales en biseau (lame inclinée par rapport à la table), le guide d'onglet doit être placé dans la rainure de droite, de manière à ce que la lame soit inclinée dans la direction opposée au guide et à la main de l'opérateur.

Le guide d'onglet peut être tourné de 60° à droite ou à gauche.

1. Desserrer la poignée de verrouillage.
2. Le guide d'onglet étant inséré dans la rainure, le tourner vers l'angle souhaité de l'échelle.
3. Serrer fermement la poignée de verrouillage.

Aspiration de poussière

AVERTISSEMENT La poussière accumulée des pièces de travail recouvertes (polyuréthanes, l'huile de lin, etc.) peut s'enflammer spontanément et causer un incendie. Afin de minimiser les risques d'incendie, veuillez vider la scie fréquemment et ne jamais la remiser ni la laisser avec de la poussière.

Il est possible de brancher l'éjecteur de sciure, lequel se trouve à l'arrière de la scie, sur un tuyau d'aspirateur. Pour l'installer, appuyer et tourner le tuyau dans l'éjecteur de sciure.

Laisser l'éjecteur de sciure ouvert pour que la poussière descende dans une corbeille.

Transport et remisage

Toujours remiser toutes les pièces de la scie, telles que le guide, le guide d'onglet, le couteau diviseur, le couteau diviseur avec carter et la clé de lame, avec elle lors de son transport et remisage.

Abaisser la lame, retirer le bloc-piles et bloquer le commutateur O/I avant de transporter ou remiser la scie.

ONE-KEY™

Pour en apprendre plus long sur la fonctionnalité ONE-KEY™ de cet outil, veuillez consulter le Guide de démarrage rapide fourni avec ce produit ou visitez le milwaukeekeetool.com/One-Key. Pour télécharger l'application ONE-KEY™, visitez l'App Store d'Apple ou Google Play à l'aide de votre appareil intelligent.

REMARQUE : La haute décharge électronique émise par l'outil pourra provoquer l'interruption de la connexion de l'appli ONE-KEY™. Suivre les consignes de l'appli pour se reconnecter.

MANIEMENT

AVERTISSEMENT Afin de minimiser le risque de blessure, toujours porter des lunettes de sécurité ou des lunettes avec écrans latéraux. Porter une protection respiratoire et auditive.

TOUJOURS verrouiller la gâchette lors de l'inactivité de l'outil. Insérer un cadenas ou une glissière à l'arrière du commutateur pour éviter le démarrage par les utilisateurs novices.

TOUJOURS s'assurer que la pièce de travail ne soit pas en contact avec la lame avant de démarrer l'outil. Le contact de la pièce de travail provoquera qu'elle rebondisse en direction de l'opérateur et entraîner des blessures graves.

Ne jamais se tenir directement en ligne avec la lame ni laisser les mains s'approcher à elle à une distance de moins de 76 mm (3"). Ne pas essayer de passer la main au-dessus ou au-delà de la lame. Le contact avec la lame peut entraîner des blessures physiques graves.

Veuillez s'assurer que la scie soit mise sur une surface nivelée et stable avant de l'utiliser.

Causes de rebond

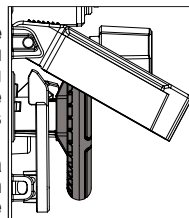
Un rebond peut se produire lorsque la lame se bloque ou se coince, et propulser violemment la pièce à couper en direction de l'opérateur. Si les mains se trouvent près de lame, elles pourraient être éjectées de la pièce et entrer en contact avec la lame. Il est évident que le rebond peut causer des blessures graves et il est vivement recommandé de prendre des précautions afin d'éviter ces risques.

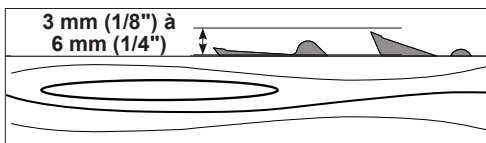
Le rebond peut être causé par toute action causant le pincement de la lame dans le bois, telle que :

- Coupe avec un réglage de profondeur incorrect
- Sciage de nœuds ou de clous dans la pièce
- Déviation du bois en cours de coupe
- Pièce à couper non soutenue
- Coupe forcée
- Coupe de planches humides ou voilées
- Utilisation d'une lame inadéquate pour le type de coupe
- Procédures de travail incorrectes
- Utilisation incorrecte de la scie
- Non utilisation des griffes anti-rebond
- Coupe avec une lame émoussée, encrassée ou mal réglée

Pour éviter le rebond

- Toujours utiliser le réglage de profondeur de coupe correct. La pointe des dents de la lame doit dépasser la pièce par 3 (1/8") à 6 mm (1/4").





• S'assurer de l'absence de nœuds et de clous avant de commencer une coupe. Retirer les nœuds décollés à l'aide d'un marteau. Ne jamais scier de nœuds décollés ou de clous.

• Toujours utiliser le guide longitudinal lors du sciage en long. Utiliser le guide d'onglet lors du coupage transversal. Ceci évite la déviation du bois pendant la coupe.

• Toujours utiliser des lames propres, bien affûtées et correctement réglées. Ne jamais couper avec une lame émoussée.

• Afin d'éviter le pincement de la lame, soutenir la pièce avant de commencer la coupe.

• Appliquer une pression constante et régulière sur la scie lors de la réalisation d'une coupe. Ne jamais forcer la scie.

• Ne pas couper de planches humides ni voilées

• Redoubler de prudence lors de la coupure de certains produits en bois, dérivés du bois et semi-finis puisqu'il est possible que les griffes anti-rebond ne soient pas efficaces.

• Toujours guider la pièce de travail avec vos deux mains ou avec des blocs ou bâtons poussoirs. Se tenir bien campé afin de pouvoir la contrôler en cas de rebond. Ne jamais se tenir en ligne avec la lame.

• L'utilisation d'une cale-guide contribuera à tenir fermement la pièce de travail contre la table ou guide de la scie.

• Nettoyer la scie, le carter de lame, la partie inférieure de la plaque à gorge et tous les espaces où la poussière et les fragments s'accumulent.

• Utiliser des lames dont le type correspond au type de coupe.

• Dans la mesure du possible, toujours utiliser le couteau diviseur pour chacune des opérations. L'utilisation de ce dispositif réduit grandement le risque de rebond.

Démarrage/arrêt de la scie

⚠ AVERTISSEMENT Vérifier et verrouiller soigneusement tous les réglages et faire tourner la lame d'un tour complet pour s'assurer qu'elle tourne librement avant d'insérer le bloc-piles. Le dégagement inadéquat de la lame ainsi que les réglages mal fixés peuvent entraîner des blessures physiques graves.

⚠ AVERTISSEMENT Lors de la réalisation d'une coupe transversale, veuillez vous assurer de l'installation et le fonctionnement correct du carter de la lame afin d'éviter des blessures physiques graves.

⚠ AVERTISSEMENT Afin de minimiser le risque de blessure, toujours porter des lunettes de sécurité ou des lunettes avec écrans latéraux. Porter une protection respiratoire et auditive.

Retirer la glissière avant la première utilisation.

1. Vérifier tous les réglages.

2. Insérer le bloc-piles.

3. Aligner la pièce de travail, mais ne pas la laisser se mettre en contact avec la lame. **REMARQUE** : Lors de l'utilisation d'un couteau diviseur avec carter, il est possible de soulever les pieds pour les aligner avec la coupe, mais il faut les abaisser pour les mettre en contact avec la partie supérieure de la table avant de démarrer la scie.

4. Pour **DÉMARRER** la scie, soulever le couvercle du commutateur et après, soulever le commutateur.

5. Pour **ARRÊTER** la scie, abaisser le couvercle du commutateur.

⚠ AVERTISSEMENT Ne pas laisser familiarité avec les outils vous faire oublier la prudence. Ne pas oublier qu'une fraction de seconde d'inattention peut entraîner des blessures graves.

Ne pas utiliser d'outils ou accessoires non recommandés par le fabricant de cet outil. L'utilisation de pièces et accessoires non recommandés peut entraîner des blessures graves.

Débouillage/Nettoyage de la d'éjecteur de sciure

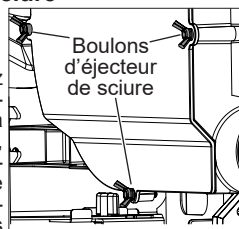
Pour débouiller l'outil :

1. **ARRÊTER** l'outil.

2. Retirer le bloc-piles.

3. Si vous ne parvenez pas à dégager la confiture en enlevant la plaque de la gorge, enlevez les trois boulons de la goulotte de dépoussiérage et enlevez la confiture ou les débris du compartiment à poussière. Nettoyez complètement la goulotte de dépoussiérage.

4. Réinstallez tous les composants et vérifiez tous les réglages avant de redémarrer le travail.



APPLICATIONS

Cet outil peut être utilisé pour les applications ci-dessous :

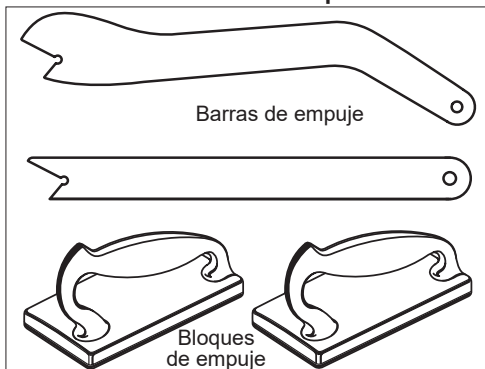
• Coupes en ligne droite telles que les coupes transversales, en long, d'onglets, en biseau et composées

• Le rainage et le moulurage, avec des lames en option

• Ébénisterie et menuiserie

REMARQUE : Cette scie à table est conçue pour couper du bois et des produits dérivés du bois uniquement. Ne pas couper de métal. Ne pas couper de plastique.

Conseils de coupe



Les bâtons pousseurs sont dispositifs qui pourront servir à pousser une pièce de travail à travers de la lame à propos de toute coupe longitudinale. Lors de la réalisation de coupes non-traversantes ou coupes des planches étroites, toujours utiliser un bâton pousseur, un bloc pousseur ou une cale-guide pour que vos mains restent à une distance sécuritaire de 76 mm (3"). Utiliser le bâton pousseur fourni avec la scie à table ou bien, il y a d'autres bâtons pousseurs faits en tailles et formes différentes en chutes de bois et utilisés pour des projets particuliers. Le bâton doit être plus étroit que la pièce, muni d'une découpe à 90° à un côté et une poignée à l'autre.

Un bloc pousseur est muni d'une poignée fixée par des vis noyées, insérées par le dessous. Utiliser des blocs pousseurs pour des coupes étroites ainsi que toutes les autres coupes non-traversantes.

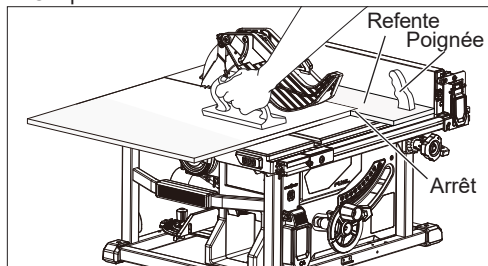
ATTENTION S'assurer que les vis soient noyées afin qu'elles ne risquent pas d'endommager la scie ou la pièce.

Comment faire un gabarit (Pour de refente des pièces étroites)

Si la refente d'une pièce étroite vous fait mettre les mains trop proches de la lame, il sera nécessaire de faire une refente et l'utiliser.

Pour faire une refente :

1. Attacher une poignée sur pièce de bois long et droite et la fixer par le bas en utilisant de vis noyées.
2. Couper une butée en « L » à côté de la refente.



To use a jig:

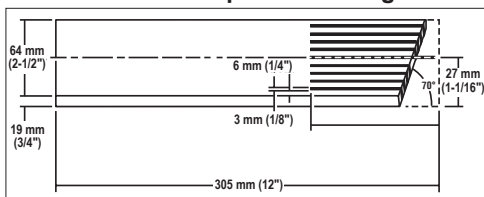
1. Placer la pièce à plat sur la table, son bord fermement appuyé contre la fente et la butée.
2. Faire la coupe longitudinale en tenant la poignée de la refente et en utilisant un bâton pousseur.

Cale-guide

AVERTISSEMENT Placer la cale-guide contre la partie non coupée de la pièce afin d'éviter que le rebond ne se passe, lequel pourrait entraîner des blessures physiques graves.

Une cale-guide est un outil qui permet de contrôler la pièce en la tenant fermement contre la table ou le guide. Les cales-guides sont surtout utiles lors de coupes en long de petites pièces et de coupes non traversantes. L'extrémité est oblique avec plusieurs courtes entailles permettant de maintenir la pièce par friction et verrouillée sur place sur la table avec un serre-joint. Vérifier qu'elle peut résister au rebond.

Comment fabriquer une cale-guide



Sélectionner une pièce de bois ferme d'environ 19 mm (3/4") d'épaisseur, 64 mm (2-1/2") de largeur et 305 mm (12") de longueur. Marquer le centre de largeur sur un côté de la planche. Ongler la largeur à 70°. Marquer la planche à partir du point le plus grand à 102 mm (4").

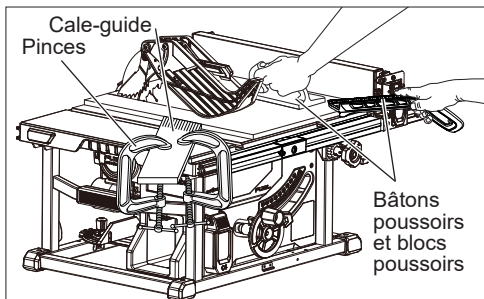
Préparer la scie pour la refente. Régler le guide longitudinal afin de laisser environ un « quart » de doigt pour faire la coupe dans la planche. Ne mettre que la planche dans la marque faite auparavant à 102 mm (4"). **ARRÊTER** la scie et laisser que la lame parvienne à s'arrêter complètement avant de retirer la planche. Ajuster le guide longitudinal et effectuer des coupes longitudinales dans la pièce pour obtenir des entailles d'environ 6 mm (1/4"), séparées de 3 mm (1/8").

Comment monter une cale-guide

AVERTISSEMENT Ne pas placer la cale-guide à l'arrière de la pièce.

Lorsque l'entaille n'est pas correctement positionnée, le rebond peut être causé par le pincement de la pièce par la cale-guide et le blocage de la lame dans le trait de scie. Le non-respect de cette mise en garde peut entraîner des blessures physiques graves.

Abaisser complètement la lame. Placer le guide longitudinal à la distance souhaitée de la lame pour la coupe et le verrouiller. Placer la pièce à couper contre le guide à proximité de la lame. Ajuster la cale-guide de manière à appliquer une résistance juste en avant de la lame. Utiliser des serre-joints pour mieux maintenir la cale-guide contre le bord de la table de la scie.

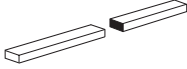
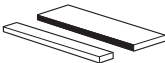


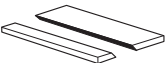
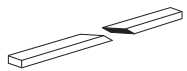


⚠ AVERTISSEMENT Toujours s'assurer que le couteau diviseur avec carter et les griffes anti-rebond soient en place et fonctionnent correctement pendant les coupes afin d'éviter les risques de blessures.

Toujours utiliser un bâton poussoir lors de la coupe longitudinale de pièces longues et étroites afin d'éviter que les mains n'approchent trop de la lame.

Types de coupes

Il y a six principaux types de coupe : coupe transversale, coupe longitudinale, coupe d'onglet, coupe transversale en biseau, coupe en long en biseau et coupe d'onglet composé (en biseau). Toutes les autres coupes sont des combinaisons de ces six types de coupe. Les méthodes de travail pour chaque type de coupe sont expliquées plus loin dans cette section.

	<p>Coupe transversale : Des coupes droites à 90° effectuées en travers du grain de la pièce de bois. La pièce est engagée à 90° par rapport à la lame et celle-ci est verticale.</p>
	<p>Coupe longitudinale : Des coupes effectuées dans le sens du grain du bois. Afin d'éviter tout rebond pendant une coupe en long, veuillez vous assurer qu'un des côtés de la pièce de bois soit fermement appuyé contre le guide.</p>
	<p>Coupes d'onglet : Des coupes effectuées avec la planche sur toute position autre que 90°. La lame est verticale. Les planches ont tendance à glisser pendant la coupe d'onglet. Cela peut être contrôlé en maintenant la pièce fermement contre le guide d'onglet.</p>
	<p>Coupes en biseau : Des coupes effectuées avec la lame en biais. Les coupes transversales en biseau sont effectuées contre le grain du bois et les coupes en long en biseau dans le sens du grain.</p>
	<p>Coupes en biseau : Des coupes effectuées avec la lame en biais. Les coupes transversales en biseau sont effectuées contre le grain du bois et les coupes en long en biseau dans le sens du grain.</p>
	<p>Coupes d'onglet composées (en biseau) : Des coupes effectuées avec une lame en biais, la pièce étant placée en oblique par rapport à la lame. Bien se familiariser avec les coupes transversales, longitudinales, en biseau et d'onglets avant d'essayer d'exécuter une coupe d'onglet composée.</p>

Règles de coupage

Cette scie à table peut effectuer un éventail de coupes qui ne figurent pas dans ce manuel. NE PAS essayer d'effectuer de coupes non décrites ici à moins d'être très familiarisé avec les méthodes appropriées et les accessoires nécessaires. La bibliothèque de votre quartier renferme de nombreux livres sur l'usage des scies à table ainsi que sur les procédures de travail spécialisé du bois aux fins de consultation.

- Les rainages et feuillures sont des coupes non traversantes qui peuvent être soit longitudinales, soit transversales. Lire attentivement et veiller à bien comprendre toutes les sections de ce manuel d'utilisation avant d'entreprendre une coupe quelconque.
- Le trait de scie (entaille pratiquée par la lame dans le bois) sera plus large que la lame afin d'éviter une surchauffe ou un blocage. Lors des mesures de bois, ne pas oublier tenir compte du trait de scie.
- S'assurer que le trait de scie soit effectué sur le côté chute de la ligne de mesure.
- Couper le bois côté fini vers le haut.
- Retirer les nœuds décollés à l'aide d'un marteau avant d'effectuer la coupe.
- Toujours utiliser un support adéquat sous une planche à la sortie de la scie.

⚠ AVERTISSEMENT Afin de minimiser le risque de blessure à cause du rebond, vérifier l'alignement correct après la rémission, la chute, le heurtement ou l'usage excessif de l'outil. Un outil mal aligné pourra causer du blocage et entraîner des blessures physiques graves. Voir la section « Entretien » pour en savoir plus à propos de la méthode de réglage approprié.

⚠ AVERTISSEMENT Vérifier et verrouiller soigneusement tous les réglages et faire tourner la lame d'un tour complet pour assurer qu'elle tourne librement avant d'insérer le bloc-piles. Le dégagement inadéquat de la lame ainsi que les réglages mal fixés peuvent entraîner des blessures physiques graves.

⚠ AVERTISSEMENT Se tenir légèrement sur la ligne de la lame pour réduire les possibilités de blessure en cas de rebond.

⚠ AVERTISSEMENT Ne pas utiliser de lames dont la vitesse de rotation nominale est inférieure à celle de l'outil. Le non-respect de cet avertissement pourrait entraîner des blessures graves.

Réalisation d'une coupe transversale

⚠ AVERTISSEMENT Afin d'éviter le risque de blessures graves, s'assurer que le carter de lame soit installé et fonctionne correctement.

L'utilisation du guide longitudinal pour une coupe transversale causerait un rebond pouvant entraîner des blessures graves.

1. Retirer le bloc-piles.
2. Retirer le guide longitudinal.
3. Régler la lame sur la profondeur de coupe correcte pour la pièce.
4. Régler le guide d'onglet à 0° et serrer la poignée de verrouillage.

5. Insérer le bloc-piles.
6. Avant de démarrer la scie, s'assurer que le bois ne touche pas la lame. **REMARQUE** : Il est recommandé de placer la pièce à conserver sur la gauche de la lame et de d'abord faire un essai sur une chute de bois.
7. **DÉMARRER** la scie. Laisser la scie parvenir à sa vitesse maximale.
8. Maintenir la pièce fermement avec les deux mains sur le guide d'onglet et engager la pièce sur la lame. **REMARQUE** : La main la plus proche de la lame doit être placée sur la poignée de verrouillage du guide d'onglet et la main la plus éloignée, sur la pièce à couper.
9. **ARRÊTER** la scie. Attendre que la lame s'arrête complètement avant de retirer la pièce.

Réalisation d'une coupe longitudinale

AVERTISSEMENT Afin d'éviter le risque de blessures graves, s'assurer que le carter de lame soit installé et fonctionne correctement.

AVERTISSEMENT Les coupes coniques ne doivent s'effectuer qu'à l'aide d'une refente spéciale, laquelle est déjà disponible sur le marché. Ne pas essayer de faire de coupes coniques à main levée avec cette scie. Ne pas suivre ces directives peut entraîner des blessures physiques graves.

1. Retirer le bloc-piles.
2. Retirer le guide d'onglet.
3. Installer la cale-guide à la position adéquate pour la coupe à réaliser.
4. Régler la lame sur la profondeur de coupe correcte pour la pièce.
5. Placer le guide longitudinal à la distance souhaitée de la lame pour la coupe et après, le verrouiller sur place.
6. Pour coupes longitudinales d'une pièce longue, placer un support à la même hauteur que la table, derrière la scie.
7. Placer la pièce à couper à plat sur la table, son bord solidement appuyé contre le guide longitudinal.
8. Insérer le bloc-piles.
9. Avant de démarrer la scie, s'assurer que le bois ne touche pas la lame.
10. **DÉMARRER** la scie. Laisser la scie parvenir à sa vitesse maximale.
11. Assujettir solidement la pièce à couper sur la table et le guide longitudinal. **AVERTISSEMENT ! Toujours tenir les mains à une distance sécuritaire de 76 mm (3") par rapport à la lame !** Lors de la coupe longitudinale d'une pièce étroite, la pousser à l'aide d'un bâton ou bloc pousoir jusqu'au-delà de la lame. Une fois la lame en contact avec la pièce, utiliser la main la plus proche du guide longitudinal pour guider la pièce. S'assurer que le bord de la pièce soit fermement en contact avec le guide longitudinal et la surface de la table. Lors de la coupe longitudinale d'une pièce étroite, la pousser à l'aide d'un bâton ou bloc pousoir jusqu'au-delà de la lame.
12. **ARRÊTER** la scie. Attendre que la lame s'arrête complètement avant de retirer la pièce.

Réalisation d'une coupe d'onglet

AVERTISSEMENT Afin d'éviter le risque de blessures graves, s'assurer que le carter de lame soit installé et fonctionne correctement.

L'utilisation du guide longitudinal pour une coupe transversale causerait un rebond pouvant entraîner des blessures graves.

Pour éviter de coincer le bois et causer du rebond, le guide d'onglet doit toujours se trouver à droite de la lame. Le placement du guide d'onglet à gauche de la lame causera un rebond susceptible d'entraîner des blessures graves.

1. Retirer le bloc-piles.
2. Retirer le guide longitudinal.
3. Régler la lame sur la profondeur de coupe correcte pour la pièce.
4. Régler le guide à onglet sur l'angle souhaité et serrer la poignée de verrouillage.
5. Insérer le bloc-piles.
6. Avant de démarrer la scie, s'assurer que le bois ne touche pas la lame.
7. **DÉMARRER** la scie. Laisser la scie parvenir à sa vitesse maximale.
8. Maintenir la pièce fermement avec les deux mains sur le guide d'onglet et engager la pièce sur la lame. **REMARQUE** : La main la plus proche de la lame doit être placée sur la poignée de verrouillage du guide d'onglet et la main la plus éloignée, sur la pièce à couper.
9. **ARRÊTER** la scie. Attendre que la lame s'arrête complètement avant de retirer la pièce.

Réalisation d'une coupe transversale en biseau

AVERTISSEMENT Afin d'éviter le risque de blessures graves, s'assurer que le carter de lame soit installé et fonctionne correctement.

L'utilisation du guide longitudinal pour une coupe transversale causerait un rebond pouvant entraîner des blessures graves.

Pour éviter de coincer le bois et causer du rebond, le guide d'onglet doit toujours se trouver à droite de la lame. Le placement du guide d'onglet à gauche de la lame causera un rebond susceptible d'entraîner des blessures graves.

1. Retirer le bloc-piles.
2. Retirer le guide longitudinal.
3. Ajuster le guide de biseau sur l'angle souhaité.
4. Régler la lame sur la profondeur de coupe correcte pour la pièce.
5. Régler le guide d'onglet à 0° et serrer la poignée de verrouillage.
6. Insérer le bloc-piles.
7. Avant de démarrer la scie, s'assurer que le bois ne touche pas la lame.
8. **DÉMARRER** la scie. Laisser la scie parvenir à sa vitesse maximale.
9. Maintenir la pièce fermement avec les deux mains sur le guide d'onglet et engager la pièce sur la lame. **REMARQUE** : La main la plus proche de la lame doit être placée sur la poignée de verrouillage du guide d'onglet et la main la plus éloignée, sur la pièce à couper.
10. **ARRÊTER** la scie. Attendre que la lame s'arrête complètement avant de retirer la pièce.

Réalisation d'une coupe longitudinale en biseau

⚠️ AVERTISSEMENT Afin d'éviter le risque de blessures graves, s'assurer que le carter de lame soit installé et fonctionne correctement.

Pour éviter de coincer le bois et causer un rebond, le guide longitudinal doit toujours se trouver sur la droite de la lame. Le placement du guide longitudinal sur la gauche de la lame causerait un rebond susceptible d'entraîner des blessures graves.

1. Retirer le bloc-piles.
2. Retirer le guide d'onglet.
3. Installer la cale-guide à la position adéquate pour la coupe à réaliser.
4. Ajuster le guide de biseau sur l'angle souhaité.
5. Régler la lame sur la profondeur de coupe correcte pour la pièce.
6. Placer le guide longitudinal à la distance souhaitée de la lame pour la coupe et après, le verrouiller sur place.
7. Pour coupes longitudinales d'une pièce longue, placer un support à la même hauteur que la table, derrière la scie.
8. Placer la pièce à couper à plat sur la table, son bord solidement appuyé contre le guide longitudinal.
9. Insérer le bloc-piles.
10. Avant de démarrer la scie, s'assurer que le bois ne touche pas la lame.
11. **DÉMARRER** la scie. Laisser la scie parvenir à sa vitesse maximale.
12. Assujettir solidement la pièce à couper sur la table et le guide longitudinal. **AVERTISSEMENT ! Toujours tenir les mains à une distance sécuritaire de 76 mm (3") par rapport à la lame !** Lors de la coupe longitudinale d'une pièce étroite, la pousser à l'aide d'un bâton ou bloc poussoir jusqu'au-delà de la lame. Une fois la lame en contact avec la pièce, utiliser la main la plus proche du guide longitudinal pour guider la pièce. S'assurer que le bord de la pièce soit fermement en contact avec le guide longitudinal et la surface de la table. Lors de la coupe longitudinale d'une pièce étroite, la pousser à l'aide d'un bâton ou bloc poussoir jusqu'au-delà de la lame.
13. **ARRÊTER** la scie. Attendre que la lame s'arrête complètement avant de retirer la pièce.

Réalisation d'une coupe d'onglet en biseau (onglet composé)

⚠️ AVERTISSEMENT Afin d'éviter le risque de blessures graves, s'assurer que le carter de lame soit installé et fonctionne correctement.

Pour éviter de coincer le bois et causer un rebond, le guide d'onglet doit toujours se trouver à droite de la lame. Le placement du guide d'onglet à gauche de la lame causera un rebond susceptible d'entraîner des blessures graves.

1. Retirer le bloc-piles.
2. Retirer le guide longitudinal.
3. Ajuster le guide de biseau sur l'angle souhaité.
4. Régler la lame sur la profondeur de coupe correcte pour la pièce.
5. Régler le guide à onglet sur l'angle souhaité et serrer la poignée de verrouillage.
6. Insérer le bloc-piles.
7. Avant de démarrer la scie, s'assurer que le bois ne touche pas la lame.
8. **DÉMARRER** la scie. Laisser la scie parvenir à sa vitesse maximale.
9. Maintenir la pièce fermement avec les deux mains sur le guide d'onglet et engager la pièce sur la lame. **REMARQUE :** La main la plus proche de la lame doit être placée sur la poignée de verrouillage du guide d'onglet et la main la plus éloignée, sur la pièce à couper.
10. **ARRÊTER** la scie. Attendre que la lame s'arrête complètement avant de retirer la pièce.

Réalisation d'une coupe de pièces de grande taille

S'assurer que la scie soit solidement assujettie sur le plan de travail, afin que le poids d'une grande planche ne risque pas de la faire basculer.

⚠️ AVERTISSEMENT Afin d'éviter le risque de blessures graves, s'assurer que le carter de lame soit installé et fonctionne correctement.

Ne jamais effectuer de coupes à main levée (coupes sans le guide d'onglet ou le guide longitudinal). Cela pourrait entraîner des blessures physiques graves.

1. Retirer le bloc-piles.
2. Régler la lame sur la profondeur de coupe correcte pour la pièce.
3. Selon la forme de la planche, utiliser le guide longitudinal ou le guide d'onglet. Si la planche est trop grande pour permettre d'utiliser le guide longitudinal ou le guide d'onglet, elle est trop grande pour cette scie.
4. Placer un support à la même hauteur que la surface de la table derrière la scie afin de soutenir la pièce à couper. Ajouter des supports sur les côtés au besoin.
5. Installer une cale-guide à la position adéquate pour la coupe à réaliser.
6. Avant de démarrer la scie, s'assurer que le bois ne touche pas la lame.
7. **DÉMARRER** la scie. Laisser la scie parvenir à sa vitesse maximale.
8. Le placement correct des mains est impératif afin d'effectuer des coupes transversales et des coupes longitudinales, comme nécessaire.
9. **ARRÊTER** la scie. Attendre que la lame s'arrête complètement avant de retirer la pièce.

Réalisation d'une coupe non traversante

Les coupes non traversantes peuvent être effectuées avec le grain (longitudinale) ou contre le grain (transversale). L'utilisation d'une coupe non traversante est essentielle pour couper les rainures, les feuillures et les rainages. Ce type de coupe est la seule qui peut s'effectuer sans le couteau diviseur avec son carter de lame installé. Utiliser le couteau diviseur sans carter de lame. S'assurer que la garde de lame est réinstallée après avoir exécuté de telles coupes. Outre la présente section sur les coupes non traversantes ou de rainage, lire la section appropriée sur le type de coupe. Par exemple, si la coupe non traversante est longitudinale, lire et bien comprendre la section sur les coupes longitudinales avant de procéder.

⚠ AVERTISSEMENT Lors d'une coupe non traversante, la lame est couverte par la pièce pendant la plus grande partie de la coupe. Se méfier de la lame exposée au début et à la fin de chaque coupe pour minimiser le risque de blessures physiques

Avec les coupes non traversantes telles que les feuillures ou les rainages, ne jamais engager le bois avec les mains. Afin d'éviter des blessures physiques, toujours utiliser des blocs poussoirs, des bâtons poussoirs et des cales-guides.

Ne pas effectuer de coupes non-traversantes complexes, telles que des cotes en plongée, cotes de recoupage, cotes à tête moulante ou de percussion.

1. Retirer le bloc-piles.
2. Retirer le couteau diviseur avec carter de lame et les griffes anti-rebond.
3. Installer le couteau diviseur.
4. Régler l'angle de biseau à 0°.
5. Régler la lame sur la profondeur de coupe correcte pour la pièce.
6. Selon la forme et la taille de la pièce, utiliser le guide longitudinal ou le guide d'onglet.
7. Installer une cale-guide à la position adéquate pour la coupe à réaliser.
8. Insérer le bloc-piles.
9. Avant de démarrer la scie, s'assurer que le bois ne touche pas la lame.
10. **DÉMARRER** la scie. Laisser la scie parvenir à sa vitesse maximale.
11. Utiliser un bâton poussoir ou des blocs poussoirs pour déplacer la pièce à couper.
12. **ARRÊTER** la scie. Attendre que la lame s'arrête complètement avant de retirer la pièce.
13. Une fois toutes les coupes non traversantes terminées, retirer le bloc-piles et réinstaller le couteau diviseur avec carter ainsi que les griffes anti-rebond.

Réalisation de rainage

⚠ AVERTISSEMENT Les lames sont tranchantes. Porter des gants de travail lors du maniement de lames.

Toujours retirer le couteau diviseur avant d'effectuer une coupe de rainage.

Une plaque à gorge spéciale en option est requise pour cette procédure (Pour consulter la liste complète d'accessoires, visiter le site www.milwaukeetool.com ou contacter un distributeur). Toutes les lames et ensembles à rainure doivent être homologués pour une vitesse non moindre que celle de cet outil. La scie est conçue pour être utilisée avec des lames à rainer double de 152 mm (6") (avec une épaisseur de jusqu'à 19 mm (3/4")). Ne pas utiliser des lames à dents à rainer ou à mouler ajustables avec cette scie



⚠ AVERTISSEMENT Lors d'une coupe non traversante, la lame est couverte par la pièce pendant la plus grande partie de la coupe. Se méfier de la lame exposée au début et à la fin de chaque coupe pour minimiser le risque de blessures physiques.

Afin d'éviter des blessures physiques, toujours utiliser des blocs poussoirs, des bâtons poussoirs et des cales-guides.

1. Retirer le bloc-piles.
2. Retirer le couteau diviseur avec carter de lame et les griffes anti-rebond.
3. Retirer la lame standard et installer la lame à rainer, selon les instructions du fabricant, en utilisant la lame et les cales appropriées pour obtenir la largeur de coupe souhaitée. **REMARQUE** : Toujours remettre la plaque à gorge, la lame, le flasque et le boulon dans un lieu sûr.
4. Installer la plaque à gorge de rainage et faire tourner la lame à la main pour s'assurer qu'elle fonctionne librement et l'abaisser.
5. Selon la forme et la taille de la pièce, utiliser le guide longitudinal ou le guide d'onglet.
6. Installer une cale-guide à la position adéquate pour la coupe à réaliser.
7. Insérer le bloc-piles.
8. Avant de démarrer la scie, s'assurer que le bois ne touche pas la lame.
9. **DÉMARRER** la scie. Laisser la scie parvenir à sa vitesse maximale.
10. Utiliser un bâton poussoir ou des blocs poussoir pour déplacer la pièce à couper.
11. **ARRÊTER** la scie. Attendre que la lame s'arrête complètement avant de retirer la pièce.
12. Une fois toutes les coupes non traversantes terminées, retirer le bloc-piles et réinstaller la lame standard, la plaque à gorge, le couteau diviseur avec carter ainsi que les griffes anti-rebond.

Dépannage

Problème	Cause	Solution
Vibrations excessives.	Lame déséquilibrée.	Remplacer la lame.
	Lame endommagée.	Remplacer la lame.
	La scie n'est pas solidement montée.	Serrer toute la boulonnerie.
	Surface de travail irrégulière.	Repositionner sur une surface plane. Régler les pieds du stand en option.
	Lame voilée.	Vérifier le montage de la lame. Remplacer la lame si nécessaire.
Le guide longitudinal ne se déplace pas doucement.	Guide longitudinal pas correctement installé. Rails encrassés ou collants.	Réinstaller le guide longitudinal. Nettoyer les rails.
La lame se bloque ou brûle le bois.	La lame est émoussée.	Remplacer ou affûter la lame.
	Lame désalignée.	Voir <i>Réglage de lame à fente d'onglet (talon)</i> . Ralentir l'avance.
	Pièce à couper avancée trop rapidement.	Ralentir l'avance.
	Guide longitudinal mal aligné. Planche voilée.	Aligner le guide longitudinal. Changer la pièce à couper. Toujours couper avec le côté convexe face à la table.
	Couteau diviseur mal aligné.	Voir <i>Réglage de couteau diviseur à lame de scie</i> .
Le chant de la pièce n'est pas appuyé contre le guide longitudinal lors de la refente	Lame incorrectement affûtée ou installée.	Raffûter ou ajuster la lame.
La scie n'exécute pas les coupes à 90° ni à 45° précises.	Réglage du biseau mal aligné.	Voir <i>Réglages de biseau à 0° et à 45°</i> .
Réglage de hauteur pour le volant difficile à tourner.	Les pignons ou la vis sans fin de l'intérieur de l'armoire sont bloqués par de la poussière.	Nettoyer les pignons et la vis sans fin.
La scie ne démarre pas	Le bloc-piles est proche de sa fin de charge.	Charger le bloc-piles.
	Contacts du bloc-piles sales.	Nettoyer les contacts du bloc-piles.

La lame ne coupe pas correctement.	Lame émoussée ou encrassée. Type de lame incorrect pour la coupe. Lame montée à l'envers.	Nettoyer, affûter ou remplacer la lame. Changer par une lame dont le type soit correct. Réinstaller la lame.
Le moteur est forcé lors d'une coupe longitudinale.	Lame incorrecte pour la coupe longitudinale. Pièce à couper avance assez rapidement vers la lame	Remplacer la lame par une lame pour coupe longitudinale, qu'en général comporte moins de dents. Ralentir l'avance.
La scie s'éteint inopinément.	Surchauffe de la batterie.	Laissez la batterie refroidir pendant 10 minutes avant de l'utiliser.

ENTRETIEN

⚠ AVERTISSEMENT Pour minimiser les risques de blessures corporelles, débranchez le chargeur et retirez la batterie du chargeur ou de l'outil avant d'y effectuer des travaux d'entretien. Ne démontez jamais l'outil, la batterie ou le chargeur. Pour toute réparation, consultez un centre de service MILWAUKEE accrédité.

Entretien de l'outil

Gardez l'outil en bon état en adoptant un programme d'entretien ponctuel. Inspectez votre outil pour des questions telles que le bruit excessif, de grippage des pièces mobiles, de pièces cassées ou toute autre condition qui peut affecter le fonctionnement de l'outil. Retournez votre outil à un centre de service MILWAUKEE accrédité pour obtenir le service. Après une période pouvant aller de 6 mois à un an, selon l'usage, retournez votre outil à un centre de service MILWAUKEE accrédité pour d'inspection.

Si l'outil ne démarre pas ou ne fonctionne pas à pleine puissance alors qu'il est branché sur une batterie complètement chargée, nettoyez les points de contact entre la batterie et l'outil. Si l'outil ne fonctionne toujours pas correctement, renvoyez l'outil, le chargeur et la batterie à un centre de service MILWAUKEE accrédité.

⚠ AVERTISSEMENT Afin de minimiser le risque de blessure à cause du rebond, vérifiez l'alignement correct après la rémission, la chute, le heurtement ou l'usage excessif de l'outil. Un outil mal aligné causera du blocage et peut entraîner des blessures physiques graves.

Lorsque des réglages sont effectués, suivre cette consigne :

1. Réglage de plaque à gorge
2. Réglages d'angle de lame (biseau) à 0° et à 45°
3. Réglage de lame à fente d'onglet
4. Réglage de lame à guide longitudinal
5. Réglage de couteau diviseur à lame de scie

AVERTISSEMENT Afin de minimiser le risque de blessure, toujours retirer le bloc-piles avant d'effectuer tout entretien ou réglages.

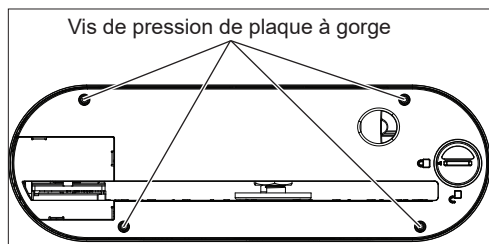
1. Réglage de la plaque à gorge

AVERTISSEMENT Toujours utiliser la plaque à gorge appropriée pour l'opération. Des lames différentes pourront requérir des plaques à gorge différentes. Ne jamais utiliser la scie sans avoir mise la plaque à gorge en place.

Une plaque à gorge bien réglée est impérative pour obtenir une coupe nette. Le front de la plaque à gorge doit être un peu plus abaissé que la partie supérieure de la table. L'arrière de la plaque à gorge doit être un peu plus soulevée que la partie supérieure de la table (0 à 0,69 mm (0,027")). Vérifier la plaque à gorge après chaque changement et avec une certaine périodicité avant son utilisation.

Si la plaque à gorge est mal réglée :

1. Retirer le bloc-piles.
2. Retirer le couteau diviseur avec carter.
3. Abaisser la lame en tournant le volant de réglage de hauteur vers la gauche.
4. Utiliser les vis de pression de la plaque à gorge (2,5 mm) pour régler les hauteurs avant et arrière.
5. Mesurer encore une fois et répéter jusqu'à ce que la plaque à gorge soit bien réglée.



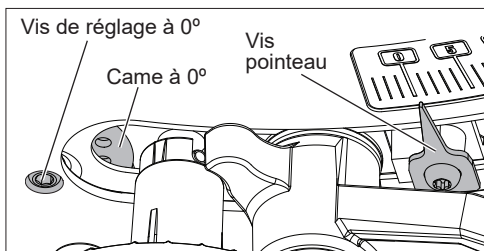
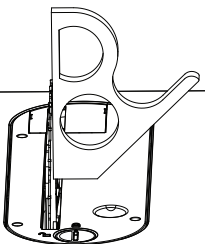
2. Réglage d'angle de lame (biseau) à 0° et à 45°

La scie a été réglée en usine et, à moins qu'elle ait été endommagée en cours de transport, aucun réglage ne devrait être nécessaire. Après un usage prolongé, il faut les vérifier et régler si nécessaire.

1. Retirer le bloc-piles.
2. Régler l'angle de la lame à 0° et le verrouiller sur place.
3. Soulever la lame en tournant le volant de réglage de la hauteur à droite.
4. Retirer le couteau diviseur.

Pour le réglage à 0° :

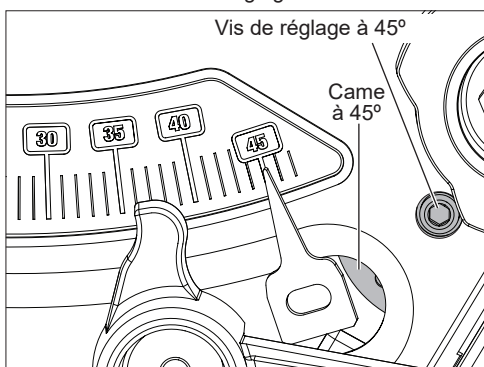
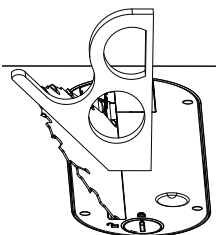
5. Placer une équerre combinée à côté de la lame, sur la gauche. Le bord de l'équerre et la lame doivent être parallèles. **REMARQUE :** Vérifier que l'équerre soit en contact avec le plat de la lame, pas les dents.
6. Si la lame et l'équerre ne sont pas parallèles :
 - Désengager le levier de verrouillage de biseau.
 - Desserrer la vis de réglage à 0°.



- Régler la lame à la position de 0°.
 - Engager le levier de verrouillage de biseau.
 - Tourner la came jusqu'à ce qu'elle se mette en contact avec le biseau.
 - Serrer la vis de réglage. Vérifier l'équerre de nouveau et continuer son réglage si nécessaire.
7. Une fois bien carrée, desserrer la vis pointeau et régler le pointeau à 0°.

Pour le réglage à 45° :

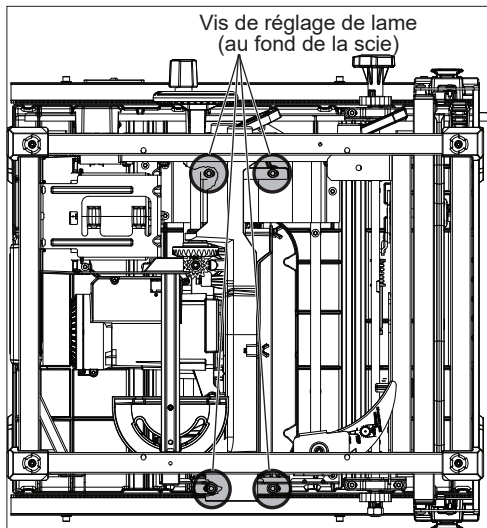
8. Régler l'angle de la lame à 45° et le verrouiller sur place.
9. Placer une équerre combinée à côté de la lame, sur la gauche, en utilisant le côté à 45°. Le bord du côté à 45° de l'équerre et la lame doivent être parallèles. **REMARQUE :** Vérifier que l'équerre soit en contact avec le plat de la lame, pas les dents.
10. Si la lame et l'équerre ne sont pas parallèles :
 - Désengager le levier de verrouillage de biseau.
 - Desserrer la vis de réglage à 45°.



- Régler la lame à la position de 45°.
 - Engager le levier de verrouillage de biseau.
 - Tourner la came jusqu'à ce qu'elle se mette en contact avec le biseau.
 - Serrer la vis de réglage. Vérifier l'équerre de nouveau et continuer son réglage si nécessaire.
11. Faire un essai à 0° et à 45° à des fins de vérification.

3. Réglage de lame à fente d'onglet (talon)

1. Retirer le bloc-piles.
2. Régler l'angle de la lame (biseau) à 0° et le verrouiller sur place.
3. Soulever la lame en tournant le volant de réglage de la hauteur à droite.
4. Mesurer dès l'avant de la lame jusqu'à la fente d'onglet et dès l'arrière de la lame à la fente d'onglet. Il faut que toutes les deux mesures soient égales.
5. Si la lame n'est pas carrée par rapport à la fente d'onglet, desserrer les vis de réglages de lame avant et arrière (hexagone de 4 mm) qui se trouvent dans la partie inférieure de la scie.



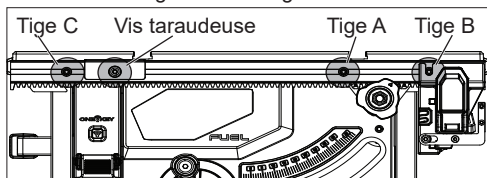
6. Glisser le compartiment de lame à droite ou à gauche et serrer les vis de réglages de la lame.
7. Revérifier la lame avant et arrière selon les mesures de la fente encore une fois.
8. Répéter jusqu'à ce que la lame soit en enquerre par rapport à la fente d'onglet.

4. Réglage de lame à guide longitudinal

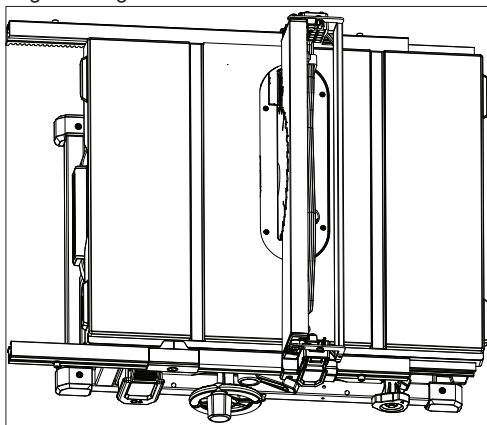
Le guide longitudinal doit être installé en parallèle à la lame et les rainures du guide d'onglet.

⚠ AVERTISSEMENT Un guide longitudinal incorrectement aligné peut causer des rebonds et des blocages. Pour réduire les risques de blessures, toujours maintenir l'alignement correct du guide longitudinal.

1. Retirer le bloc-piles.
2. Régler l'angle de la lame (biseau) à 0° et le verrouiller sur place.
3. Soulever la lame en tournant le volant de réglage de la hauteur à droite.
4. Retirer le couteau diviseur avec carter.
5. Verrouiller le guide sur la tige A.



6. Glisser le guide au-dessus jusqu'à ce qu'il touche la lame et engager le levier de verrouillage de guide longitudinal.

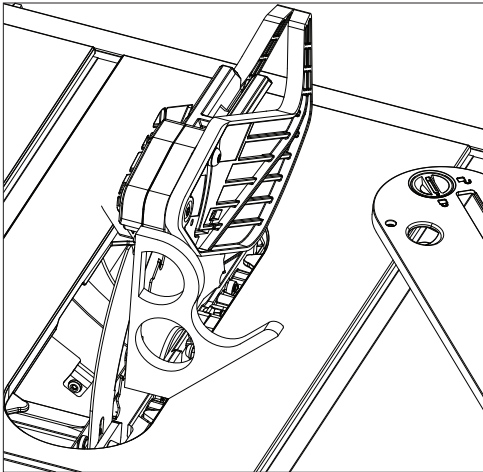


7. La lame doit se mettre en contact uniforme avec le guide, l'avant contre l'arrière.
8. Sinon, utiliser une clé hexagonale de 4 mm pour desserrer les tiges correspondantes (avant, arrière ou toutes les deux). Glisser la tige de droite ou de gauche comme nécessaire et la serrer fermement.
9. Répéter jusqu'à ce que la fente touche uniformément la lame.
10. Pour régler l'indicateur d'échelle longitudinale à zéro, utiliser une clé hexagonale de 4 mm pour desserrer le boulon et glisser l'indicateur pour le régler à zéro dans le ruban en argent. Resserrer le boulon.
11. Verrouiller le guide sur la tige B.
12. Mesurer dès l'avant de la lame jusqu'au guide et dès l'arrière de la lame au guide. Tous les deux doivent être de 102 mm (4").
13. Sinon, utiliser une clé hexagonale de 4 mm pour desserrer les tiges correspondantes (avant, arrière ou tous les deux). Glisser la tige de droite ou de gauche comme nécessaire et la serrer fermement.
14. Répéter jusqu'à ce que le guide mesure 102 mm (4") dès l'avant de la lame jusqu'au guide et dès l'arrière de la lame au guide. Le guide doit rester totalement sur le rail de guide, étant suspendu du bord du rail.
15. Verrouiller le guide sur la tige C.
16. Glisser le guide au-dessus jusqu'à ce qu'il touche la lame et engager le levier de verrouillage de guide longitudinal.
17. La lame doit se mettre en contact uniforme avec le guide, l'avant contre l'arrière.
18. Sinon, utiliser une clé hexagonale de 4 mm pour desserrer les tiges correspondantes (avant, arrière ou tous les deux). Glisser la tige de droite ou de gauche comme nécessaire et la serrer fermement.
19. Répéter jusqu'à ce que la fente touche uniformément la lame. Le guide doit rester totalement sur le rail de guide, étant suspendu du bord du rail.
20. Effectuer deux ou trois coupes d'essai sur des chutes de bois pour chacun des guides. Si les coupes ne sont pas précises, reprendre les étapes précédentes.

5. Réglage de couteau diviseur à lame de scie

Pour vérifier l'alignement du couteau diviseur :

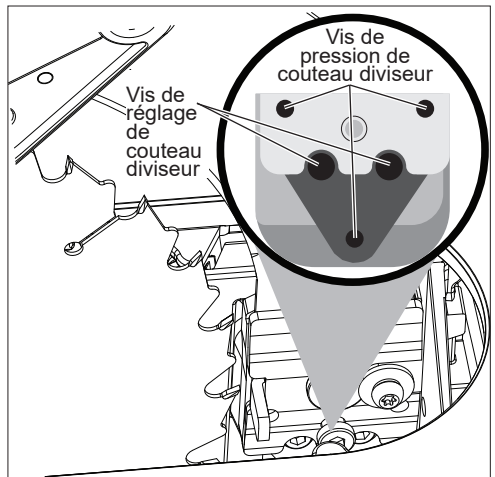
1. Retirer le bloc-piles.
2. Soulever la lame en tournant le volant de réglage de la hauteur à droite.
3. Retirer les griffes anti-rebond du couteau diviseur avec carter de lame.
4. Enlever le couteau diviseur et placez-le à plat sur la table. Le couteau diviseur doit être plat et ne pas incliner lorsqu'un bord est touché. Si le couteau diviseur n'est pas plat, remplacez le couteau diviseur avant d'utiliser la scie.
5. Placer l'enquerre à vitesse ou le bord droit contre le couteau diviseur au-dessus de la scie à table. La lame de scie et le couteau diviseur sont alignés lorsque l'enquerre à vitesse se met en contact avec le couteau diviseur dans TOUS LES DEUX bords, sans se mettre en contact avec la lame. Il faut qu'il y ait un intervalle fin entre l'enquerre et la lame. L'enquerre ne doit pas se mettre en contact avec les dents de la lame.



Si le couteau diviseur est mal aligné par rapport à la lame, il faut effectuer des réglages. Le couteau diviseur doit être aligné l'avant contre l'arrière (horizontalement) et la partie supérieure contre la partie inférieure (verticalement).

Réglage :

1. Retirer le bloc-piles.
2. Retirer la plaque à gorge.
3. Installer la lame.
4. Installer le couteau diviseur ou le couteau diviseur avec carter. **REMARQUE** : Effectuer la revérification et le réglage pour tous les changements de couteaux diviseurs ou lames.
5. Desserrer les vis de réglage de couteau diviseur (hexagone de 4 mm).



6. Serrer ou desserrer les 3 vis de pression de couteau diviseur (hexagone 2,5 mm) comme nécessaire.
7. Serrer les vis de réglage de couteau diviseur.
8. Vérifier encore une fois tous les deux bords de la lame/du couteau diviseur.
9. Répéter les étapes jusqu'à ce que le couteau diviseur soit bien réglé par rapport à la lame.
10. Une fois réglé, retirer le couteau diviseur, réinstaller la plaque à gorge et après réinstaller le couteau diviseur et les griffes anti-rebond (si nécessaire selon l'opération).

ONE-KEY™

⚠ AVERTISSEMENT Risque de brûlure chimique.

Ce dispositif contient une pile bouton au lithium. Une pile neuve ou usée peut causer des brûlures internes graves entraînant la mort en seulement 2 heures si avalée ou entrée dans le corps. Toujours fixer le couvercle du compartiment des piles. Si le couvercle ne se ferme pas bien, arrêter d'utiliser le dispositif, retirer les piles et les garder hors de la portée des enfants. Si vous soupçonnez que les piles ont été avalées ou entrées dans le corps, consultez immédiatement un médecin.



Pile interne

Une pile interne est utilisée pour faciliter la fonctionnalité complète ONE-KEY™. Tourner la scie pour accéder à la porte de la bloc-piles.

Pour remplacer la pile :

1. Retirer le bloc-piles.
2. Retirer la vis et ouvrir la porte du compartiment de la pile.
3. Retirer le panneau de la pile et enlever la pile usagée. Tenez hors de la portée des enfants et éliminez-la adéquatement.
4. Insérer la nouvelle pile (3V CR2032), avec le côté positif vers le haut.
5. Fermer la porte du compartiment de la pile et serrer la vis fermement.

⚠ AVERTISSEMENT Pour minimiser les risques de blessures ou de dommages à l'outil, n'immergez jamais l'outil, la batterie ou le chargeur et ne laissez pas de liquide s'y infiltrer.

Nettoyage

Débarassez les événements des débris et de la poussière. Gardez les poignées propres, à sec et exempts d'huile ou de graisse. Le nettoyage doit se faire avec un linge humide et un savon doux. Certains nettoyants tels l'essence, la térébenthine, les diluants à laque ou à peinture, les solvants chlorés, l'ammoniaque et les détergents d'usage domestique qui en contiennent pourraient détériorer le plastique et l'isolation des pièces. Ne laissez jamais de solvants inflammables ou combustibles auprès des outils.

Réparations

Pour les réparations, retournez outil, batterie et chargeur en entier au centre-service le plus près.

ACCESSOIRES

AVERTISSEMENT L'utilisation d'autres accessoires que ceux qui sont spécifiquement recommandés pour cet outil peut comporter des risques.

Pour une liste complète des accessoires, visiter le site internet www.milwaukeetool.com ou contactez un distributeur.

SERVICE - CANADA

Milwaukee Tool (Canada) Ltd

1.800.268.4015

Monday-Friday, 7:00 AM - 4:30 PM CST

www.milwaukeetool.ca

GARANTIE LIMITÉE - AUX ÉTATS-UNIS ET AU CANADA

Chaque outil électrique MILWAUKEE (voir exceptions ci-dessous) est garanti à l'acheteur d'origine uniquement pour être exempt de vices de matériaux et de fabrication. Sous réserve de certaines exceptions, MILWAUKEE réparera ou remplacera toute pièce d'un outil électrique qui, après examen par MILWAUKEE, s'est avérée être affectée d'un vice de matériau ou de fabrication et ce pendant une période de cinq (5) ans** à compter de la date d'achat, sauf indication contraire. Retourner l'outil électrique à un centre de réparation en usine MILWAUKEE ou à un poste d'entretien agréé MILWAUKEE, en port prépayé et assuré. Une copie de la preuve d'achat doit être présentée lors du retour du produit. Cette garantie ne couvre pas les dommages que MILWAUKEE détermine être causés par des réparations ou des tentatives de réparation par quiconque autre que le personnel agréé par MILWAUKEE, ou par des utilisations incorrectes, des altérations, des utilisations abusives, une usure normale, une carence d'entretien ou des accidents.

Usure normale : Plusieurs outils électriques requièrent un remplacement et un entretien périodique de leurs pièces pour un meilleur rendement. Cette garantie ne couvre pas la réparation des pièces dues à l'utilisation normale de l'outil, y compris, mais sans s'y limiter, les mandrins, les broches, les cordes, les sabots de scie, les portelames, les joints toriques, les joints, les amortisseurs, les lames d'entraînement, les pistons, les perceurs, les crochets et les rondelles à couvercle amortisseur.

*Cette garantie ne s'applique pas aux clouseuses-agrafeuses pneumatiques, aux pulvérisateurs à peinture sans air, aux blocs-piles pour outils sans fil, aux génératrices d'alimentation portatives à essence, aux outils à main, aux monte-charge - électriques, à levier et à chaîne, aux vestes chauffantes M12™, aux produits ré-usinés, ni aux produits d'essai et de mesure. Il existe des garanties séparées distinctes pour ces produits.

**La période de garantie applicable pour les radios de chantier, le port d'alimentation M12™, la source électrique M18™, le ventilateur de chantier et les chariots de travail industriels Trade Titan™ est d'une durée d'un (1) an à compter de la date d'achat. La période de garantie pour les Câbles de nettoyage des canalisations est de deux (2) ans à compter de la date d'achat. La période de garantie pour le Pistolet thermique compact M18™ et Dépoussiéreur de 8 gallons est de trois (3) ans à compter de la date d'achat. La période de garantie couvrant la DEL de la lampe de travail à DEL et l'ampoule améliorée à DEL de la lampe de travail est une garantie à vie du produit soumise aux limitations ci-dessus. En cas de défaillance de la DEL ou de l'ampoule à DEL pendant son utilisation normale, la pièce défaillante sera remplacée gratuitement.

L'enregistrement de la garantie n'est pas nécessaire pour bénéficier de la garantie en vigueur sur un outil électrique MILWAUKEE. La date de fabrication du produit servira à établir la période de garantie,

si aucune preuve d'achat n'est fournie lorsqu'une demande de service sous garantie est déposée.

L'ACCEPTATION DES RECOURS EXCLUSIFS DE RÉPARATION ET DE REMPLACEMENT DÉCRITS DANS LES PRÉSENTES EST UNE CONDITION DU CONTRAT D'ACHAT DE TOUT PRODUIT MILWAUKEE. SI VOUS N'ACCEPTÉZ PAS CETTE CONDITION, VOUS NE DEVEZ PAS ACHETER LE PRODUIT. EN AUCUN CAS, MILWAUKEE NE SAURAIT ÊTRE RESPONSABLE DE TOUT DOMMAGE ACCESSOIRE, SPÉCIAL OU INDIRECT, DE DOMMAGES-INTÉRÊTS PUNITIFS OU DE TOUTE DÉPENSE, D'HONORAIRES D'AVOCAT, DE FRAIS, DE PERTE OU DE DÉLAIS ACCESSOIRES À TOUT DOMMAGE, DÉFAILLANCE OU DÉFAUT DE TOUT PRODUIT, Y COMPRIS NOTAMMENT LES PERTES DE PROFIT. CERTAINS ÉTATS ET PROVINCES NE PERMETTANT L'EXCLUSION OU LA LIMITATION DES DOMMAGES DIRECTS OU INDIRECTS, LES RESTRICTIONS CI-DESSUS PEUVENT NE PAS VOUS ÊTRE APPLICABLES. CETTE GARANTIE EST EXCLUSIVE ET REMPLACE TOUTE AUTRE GARANTIE EXPRESSE, QU'ELLE SOIT VERBALE OU ÉCRITE. DANS LA MESURE PERMISE PAR LA LOI, MILWAUKEE RENONCE À TOUTE GARANTIE IMPLICITE, Y COMPRIS, MAIS SANS S'Y LIMITER, TOUTE GARANTIE IMPLICITE DE QUALITÉ MARCHANDE OU D'ADAPTATION À UNE UTILISATION OU À UNE FIN PARTICULIÈRE. DANS LA MESURE OU UNE TELLE STIPULATION D'EXONÉRATION N'EST PAS PERMISE PAR LA LOI, LA DURÉE DE CES GARANTIES IMPLICITES EST LIMITÉE À LA PÉRIODE APPLICABLE DE LA GARANTIE EXPRESSE, TEL QUE CELA EST DÉCRIT PRÉCÉDEMMENT. CERTAINS ÉTATS ET PROVINCES NE PERMETTANT PAS DE LIMITATION DE DURÉE DES GARANTIES IMPLICITES, LES RESTRICTIONS CI-DESSUS PEUVENT DONC NE PAS VOUS ÊTRE APPLICABLES. LA PRÉSENTE VOUS CONFÈRE DES DROITS LÉGAUX PARTICULIERS; VOUS BÉNÉFICIEZ ÉGALEMENT D'AUTRES DROITS QUI VARIENT D'UN ÉTAT À UN AUTRE.

Cette garantie s'applique aux produits vendus aux États-Unis et au Canada uniquement.

Veillez consulter la rubrique Centre SAV Milwaukee, dans la section Pièces et Services du site Web de MILWAUKEE, à l'adresse www.milwaukeetool.com, ou composer le 1-800-SAWDUST (1-800-729-3878) afin de trouver le centre de service de votre région le plus proche pour l'entretien, sous garantie ou non, de votre outil électrique Milwaukee.

GARANTIE LIMITÉE - MEXIQUE, AMÉRIQUE CENTRALE ET CARAÏBES

TECHTRONIC INDUSTRIES' garantit le produit pendant 5 ans à partir de la date d'achat d'origine.

Le présent bon de garantie couvre tous les vices de matériau et de fabrication que peut afficher ce produit.

Pour assurer la validité de la présente garantie, veuillez présenter ce bon de garantie, estampillé du sceau du distributeur ou du magasin où le produit a été acheté, au centre de réparations agréé. Si le bon de garantie n'a pas été estampillé, veuillez fournir la preuve d'achat d'origine au centre de réparations agréé.

Pour un entretien des pièces, des accessoires ou des composants, composer sans frais le 1-800-030-7777 afin d'obtenir les coordonnées du centre de réparations agréé le plus près

Procédure pour assurer la validité de la garantie

Présenter le produit au centre de réparations agréé, accompagné du bon de garantie estampillé du sceau du distributeur ou du magasin où le produit a été acheté. Toute pièce défectueuse ou tout composant défectueux sera remplacé(e) sans frais. Milwaukee assume tous les frais de transport liés à ce processus de garantie.

Exceptions

Cette garantie ne s'applique pas dans les situations suivantes :

- Si le produit a été utilisé pour une fin autre que celle indiquée dans le guide de l'utilisateur final ou le manuel d'instructions.
- Si les conditions d'utilisations ne sont pas habituelles.
- Si le produit a été modifié ou réparé par une personne non autorisée par TECHTRONIC INDUSTRIES.

Remarque : Si le cordon électrique est endommagé, il doit être remplacé par un centre de réparations agréé pour éviter les risques d'électrocution.

CENTRE DE RÉPARATIONS ET DE SERVICE

Composer le 01 (800) 030-7777

IMPORTÉ ET COMMERCIALISÉ PAR

TECHTRONIC INDUSTRIES, MEXIQUE, SA DE CV

Av President Masarik #29 piso 7, Col. Polanco V Sección

CP 11560, Deleg. Miguel Hidalgo, CDMX

Modèle : _____

Date d'achat : _____

Sceau du distributeur ou du magasin : _____

ADVERTENCIAS DE SEGURIDAD GENERALES PARA LA HERRAMIENTA ELÉCTRICA

▲ ADVERTENCIA Lea todas las advertencias de seguridad, instrucciones, ilustraciones y especificaciones con esta herramienta eléctrica. Si no sigue todas las advertencias e instrucciones, se pueden provocar una descarga eléctrica, un incendio o lesiones graves. Guarde todas las advertencias e instrucciones para consultarlas en el futuro. El término "herramienta eléctrica" en todas las advertencias incluidas más abajo se refiere a su herramienta operada por conexión (cable) a la red eléctrica o por medio de una batería (inalámbrica).

SEGURIDAD EN EL ÁREA DE TRABAJO

- **Mantenga el área de trabajo limpia y bien iluminada.** Las áreas desordenadas u oscuras son propicias para los accidentes.
- **No utilice herramientas eléctricas en atmósferas explosivas, tales como en presencia de líquidos, gases o polvos inflamables.** Las herramientas eléctricas generan chispas que pueden encender el polvo o los vapores.
- **Mantenga a los niños y a los espectadores alejados mientras utiliza una herramienta eléctrica.** Las distracciones pueden ocasionar la pérdida de control.

SEGURIDAD ELÉCTRICA

- **Los enchufes de la herramienta eléctrica deben coincidir con el tomacorriente.** Nunca modifique el enchufe de ninguna manera. No utilice adaptadores de enchufe con herramientas eléctricas aterrizadas. Los enchufes y tomacorrientes correspondientes sin modificar reducirán el riesgo de descarga eléctrica.
- **Evite el contacto corporal con superficies aterrizadas, tales como tuberías, radiadores, estufas y refrigeradores.** Existe un riesgo mayor de descarga eléctrica si su cuerpo está aterrizado.
- **No exponga las herramientas eléctricas a la lluvia ni a condiciones húmedas.** Si se introduce agua en una herramienta eléctrica, aumentará el riesgo de descarga eléctrica.
- **No maltrate el cable.** Nunca utilice el cable para cargar, jalar o desconectar la herramienta eléctrica. Mantenga el cable alejado del calor, el aceite, los bordes afilados o las partes en movimiento. Los cables dañados o enredados aumentan el riesgo de descarga eléctrica.
- **Al utilizar una herramienta eléctrica en exteriores, utilice una extensión adecuada para uso en exteriores.** El uso de una extensión adecuada para el uso en exteriores disminuye el riesgo de descarga eléctrica.
- **Si es inevitable utilizar una herramienta eléctrica en un lugar húmedo, utilice un alimentador de corriente protegido con un interruptor de circuito por falla de conexión a tierra (GFCI).** El uso de un GFCI reduce el riesgo de descarga eléctrica.

SEGURIDAD PERSONAL

- **Manténgase alerta, atento a lo que está haciendo y utilice el sentido común al utilizar una herramienta eléctrica.** No utilice una herramienta eléctrica mientras está cansado o bajo la influencia de drogas, alcohol o medicamentos. Un momento de distracción al utilizar herramientas eléctricas puede ocasionar lesiones personales graves.

- **Utilice equipo de protección personal. Siempre use protección para los ojos.** El equipo de protección, tal como una máscara contra polvo, calzado antideslizante, casco o protección auditiva, utilizado para condiciones adecuadas disminuirá las lesiones personales.
- **Evite el arranque accidental. Asegúrese de que el interruptor esté en la posición de apagado antes de conectarlo a una fuente de poder y/o batería, levantar o trasladar la herramienta.** Trasladar herramientas con el dedo en el interruptor o energizar herramientas eléctricas que tienen el interruptor encendido propicia accidentes.
- **Retire cualquier llave de ajuste antes de entender la herramienta.** Una llave que se deje insertada en una parte giratoria de la herramienta eléctrica puede ocasionar lesiones personales.
- **No estire el cuerpo demasiado. Mantenga un buen contacto entre los pies y el suelo y mantenga el equilibrio en todo momento.** Esto permite un mejor control de la herramienta eléctrica en situaciones inesperadas.
- **Vístase adecuadamente. No utilice ropa o joyería holgada. Mantenga el cabello y la ropa alejados de las partes móviles.** La ropa holgada, las alhajas o el cabello largo pueden quedarse atrapados en las partes móviles.
- **Si se proporcionan dispositivos para la conexión de instalaciones de extracción y recolección de polvo, cerciőrese de que estén conectados y se utilicen correctamente.** El uso de dispositivos recolectores de polvo puede disminuir los riesgos relacionados con el polvo.
- **No permita que la familiaridad por el uso frecuente de las herramientas lo hagan sentirse seguro e ignorar los principios de seguridad de las herramientas.** Un descuido puede provocar lesiones graves en una fracción de segundo.

USO Y CUIDADO DE LAS HERRAMIENTAS ELÉCTRICAS

- **No fuerce la herramienta eléctrica. Utilice la herramienta eléctrica correcta para su aplicación.** La herramienta eléctrica correcta realizará el trabajo mejor y con mayor seguridad a la velocidad para la que fue diseñada.
- **No utilice la herramienta eléctrica si el interruptor no la enciende y la apaga.** Cualquier herramienta eléctrica que no pueda controlarse con el interruptor es peligrosa y debe repararse.
- **Desconecte el enchufe de la fuente de energía y/o quite la batería de la herramienta eléctrica, si es posible, antes de realizar cualquier ajuste, cambiar accesorios o almacenar las herramientas eléctricas.** Tales medidas preventivas de seguridad disminuyen el riesgo de que la herramienta eléctrica se encienda accidentalmente.
- **Almacene las herramientas eléctricas que no se estén utilizando fuera del alcance de los niños y no permita que personas que no estén familiarizadas con la herramienta eléctrica o con estas instrucciones la utilicen.** Las herramientas eléctricas son peligrosas en manos de usuarios sin capacitación.
- **Dé mantenimiento a las herramientas eléctricas y accesorios.** Verifique que no haya desalineación, amarre de partes móviles, partes rotas o alguna otra condición que pueda afectar el funcionamiento de la herramienta eléctrica. Si se daña, asegúrese de que la herramienta eléctrica sea reparada antes de que se utilice. Muchos accidentes son ocasionados por

herramientas eléctricas con mantenimiento deficiente.

- **Mantenga las herramientas de corte afiladas y limpias.** Las herramientas de corte correctamente mantenidas con bordes de corte afilados son menos propensas a atorarse y son más fáciles de controlar.
- **Utilice la herramienta eléctrica, los accesorios y las puntas, etc. de acuerdo con estas instrucciones, tomando en cuenta las condiciones de trabajo y el trabajo a realizar.** El uso de la herramienta eléctrica para operaciones diferentes a las previstas podría generar una situación peligrosa.
- **Mantenga las empuñaduras y rías superficies de sujeción secas, limpias y libres de aceite y grasa.** Las empuñaduras y superficies de sujeción resbalosas no permiten el manejo y control seguros de la herramienta en situaciones inesperadas.

USO Y CUIDADO DE LAS HERRAMIENTAS CON BATERÍA

- **Recargue únicamente con el cargador especificado por el fabricante.** Un cargador que es adecuado para un tipo de batería puede crear un riesgo de incendio si se utiliza con otra batería.
- **Utilice las herramientas eléctricas únicamente con baterías específicamente diseñadas.** El uso de cualquier otra batería puede producir un riesgo de lesiones e incendio.
- **Cuando la batería no esté en uso, manténgala alejada de otros objetos metálicos como sujetapapeles, monedas, llaves, clavos, tornillos u otros objetos metálicos pequeños que puedan formar una conexión de una terminal a otra.** Crear un corto entre las terminales de la batería puede ocasionar quemaduras o un incendio.
- **Bajo condiciones de maltrato, el líquido puede ser expulsado de la batería, evite el contacto.** En caso de contacto accidental, lave con agua. Si el líquido entra en contacto con los ojos, busque además ayuda médica. El líquido expulsado de la batería puede causar irritación o quemaduras.
- **No use una batería o herramienta que se haya dañado o modificado.** Las baterías dañadas o modificadas pueden mostrar un comportamiento impredecible, causando incendios, explosión o riesgo de lesión.
- **No exponga una batería o herramienta al fuego o a temperatura excesiva.** La exposición a fuego o temperatura a más de 130° C (265° F) puede causar explosiones.
- **Siga todas las instrucciones de carga y no cargue la batería o la herramienta fuera del rango de temperatura especificado en las instrucciones.** La carga incorrecta o a temperaturas fuera del rango especificado puede dañar la batería y aumentar el riesgo de incendio.

MANTENIMIENTO

- **Lleve su herramienta eléctrica a servicio con un técnico calificado que use únicamente piezas de reemplazo idénticas.** Esto asegurará que la seguridad de la herramienta eléctrica se mantenga.
- **Nunca dé servicio a baterías dañadas.** Únicamente el fabricante o proveedores de servicio autorizados deben dar servicio a las baterías.

REGLAS ESPECÍFICAS DE SEGURIDAD PARA SIERRA DE MESA

Advertencias relacionadas con la protección

- **Mantenga las guardas en su lugar.** Las guardas deben funcionar bien y montarse correctamente.

Una guarda floja, dañada o que no funcione correctamente debe repararse o reemplazarse.

- **Siempre use una guarda de hoja de sierra, cuchillo divisor y dispositivo para evitar contragolpes para cada operación de desbrozado.** Para las operaciones de desbrozado donde la hoja de la sierra corte completamente por todo el grosor de la pieza de trabajo, la guarda y otros dispositivos de seguridad ayudan a reducir el riesgo de lesión.
- **Inmediatamente, vuelva a fijar el sistema de la guarda después de completar una operación (como cortes de machihembrado, corte de bisel o con sierra de banda) que requieren que se retire la guarda, el cuchillo divisor o el dispositivo para evitar los contragolpes.** La guarda, el cuchillo divisor y el dispositivo para evitar contragolpes ayudan a reducir el riesgo de lesión.
- **Asegúrese de que la hoja de la sierra no haga contacto con la guarda, el cuchillo divisor o la pieza de trabajo antes de encender el interruptor.** El contacto involuntario de estos artículos con la hoja de la sierra podría provocar una condición peligrosa.
- **Ajuste el cuchillo divisor como lo describe el manual de instrucciones.** El espaciado, posicionamiento y alineación incorrectos pueden volver al cuchillo divisor ineficaz al reducir la probabilidad de un contragolpe.
- **Para que el cuchillo divisor y el dispositivo para evitar contragolpes funcionen bien, deben estar en contacto con la pieza de trabajo.** El cuchillo divisor y el dispositivo para evitar contragolpes son ineficaces al cortar piezas de trabajo que sean muy cortas para tener contacto con el cuchillo divisor y el dispositivo para evitar contragolpes. Bajo estas condiciones, no puede prevenirse un contragolpe con un cuchillo divisor y un dispositivo para evitar contragolpes.
- **Use la hoja de la sierra correcta para el cuchillo divisor.** Para que el cuchillo divisor funcione correctamente, el diámetro de la hoja de la sierra debe coincidir con el cuchillo divisor correcto y el cuerpo de la hoja de la sierra debe ser más delgado que el grosor del cuchillo divisor, y el ancho de corte de la hoja de la sierra debe ser más ancho que el ancho del cuchillo divisor.

Advertencias de los procedimientos de corte

- **⚠ PELIGRO** **Nunca coloque sus dedos o manos cerca de o en la línea de la hoja de la sierra.** Un momento sin prestar atención o un desliz podría dirigir su mano hacia la hoja de la sierra y resultar en una lesión personal grave.
- **Alimente la pieza de trabajo en la hoja o cortador de la sierra únicamente en contra de la dirección de rotación.** Alimentar la pieza de trabajo en la misma dirección hacia donde la hoja de la sierra está rotando por encima de la mesa puede resultar en que la pieza de trabajo y su mano sean llevadas hacia la hoja de la sierra.
- **Nunca use el calibre de inglete para alimentar la pieza de trabajo cuando haga cortes al hilo y no use una guía de corte como tope de longitud cuando haga un corte transversal con el calibre de inglete.** Guiar la pieza de trabajo con la guía de corte y el calibre de inglete al mismo tiempo aumenta la probabilidad de que la hoja de la sierra se amarre y provoque un contragolpe.
- **Cuando haga cortes al hilo, siempre aplique la fuerza de alimentación de la pieza de trabajo entre la guía y la hoja de la sierra.** Use una barra de empuje cuando la distancia entre la guía y la

hoja de la sierra sea menor a 150 mm y use un bloque de empuje cuando la distancia sea menor a 50 mm. Los dispositivos de "ayuda en el trabajo" mantendrán su mano a una distancia segura de la hoja de la sierra.

• **Use solo la barra de empuje provista por el fabricante o construida de conformidad con las instrucciones.** Esta barra de empuje provee suficiente distancia de la mano desde la hoja de la sierra.

• **Nunca use una barra de empuje dañada o cortada.** Una barra de empuje dañada puede romperse, causando que su mano se resbale hacia la hoja de la sierra.

• **No realice ninguna operación "a manos libres". Siempre use la guía de corte o el calibre de inglete para posicionar y guiar la pieza de trabajo.** "Mano libre" significa usar sus manos para apoyar o guiar la pieza de trabajo en lugar de una guía de corte o calibre de inglete. El corte con sierra a mano libre provoca una mala alineación, amarres y contragolpes.

• **Nunca intente alcanzar algo por encima o sobre una hoja de sierra en rotación.** Alcanzar una pieza de trabajo puede provocar un contacto accidental con la hoja de la sierra en movimiento.

• **Brinde un apoyo auxiliar a la pieza de trabajo en la parte trasera o lateral de la mesa de sierra, a fin de nivelar las piezas de trabajo largas o anchas.** Una pieza de trabajo larga o ancha tiene la tendencia a pivotar en el borde de la mesa, causando pérdida de control, que se amarre la hoja de la sierra y contragolpes.

• **Alimente la pieza de trabajo a un ritmo constante. No doble ni fuerza la pieza de trabajo. Si se traba, apague inmediatamente la herramienta, desconéctela y luego destrabe la pieza.** Trabrar la hoja de la sierra en la pieza de trabajo puede provocar un contragolpe o atascar el motor.

• **No retire las piezas del material que se va a cortar mientras la sierra está en operación.** El material puede atorarse entre la guía o dentro de la guarda de la hoja de la sierra y la hoja de la sierra puede jalar sus dedos hacia ella. Apague la sierra y espere hasta que se detenga antes de retirar el material.

• **Use una guía auxiliar en contacto con la superficie de la mesa cuando haga cortes al hilo de las piezas de trabajo menores de 2 mm de grueso.** Una pieza de trabajo delgada puede acuífarse debajo de la guía de corte y crear un contragolpe.

Causas del contragolpe y advertencias relacionadas

El contragolpe es una reacción repentina de la pieza de trabajo debido a una hoja de la sierra atascada o una línea de corte no alineada en la pieza de trabajo, con respecto a la hoja de la sierra o cuando una parte de la pieza de trabajo se amarra entre la hoja de la sierra y la guía de corte u otro objeto fijo. Lo más frecuente durante el contragolpe es que la pieza de trabajo se levante de la mesa por la parte trasera de la hoja de la sierra y se impulsa hacia el operador. El contragolpe es el resultado del uso incorrecto de la sierra y/o de procedimientos o condiciones de operación incorrectos y puede evitarse tomando las precauciones correspondientes que se indican a continuación.

• **Nunca se coloque directamente en línea con la hoja de la sierra. Siempre posicione su cuerpo del mismo lado que la hoja de la sierra como la guía.** El contragolpe puede aventar la pieza de trabajo a altas velocidades hacia cualquier persona que esté colocada en frente o alineada con la hoja de la sierra.

• **Nunca intente alcanzar algo por encima o por detrás de la hoja de la sierra para jalar o apoyar la pieza de trabajo.** El contacto accidental con la hoja de la sierra puede ocurrir o un contragolpe puede arrastrar sus dedos hacia la hoja de la sierra.

• **Nunca sostenga y oprima la pieza de trabajo que se está cortando contra la hoja de la sierra que está girando.** Oprimir la pieza de trabajo que se está cortando contra la hoja de la sierra creará una condición de amarre y contragolpe.

• **Alinee la guía para que esté paralela a la hoja de la sierra.** Una guía mal alineada pellizcará la pieza de trabajo contra la hoja de la sierra y creará un contragolpe.

• **Use una mesa con canto biselado para guiar la pieza de trabajo contra la mesa y la guía al hacer cortes no desbrozados como cortes de machihembrado, de bisel o con sierra de banda.** Una mesa con canto biselado ayuda a controlar la pieza de trabajo en caso de un contragolpe.

• **Tenga mayor precaución al hacer un corte en las áreas ciegas de las piezas de trabajo ensambladas.** La hoja de la sierra saliente puede cortar objetos que podrían causar un contragolpe.

• **Soporte los paneles grandes para minimizar el riesgo de que la hoja de la sierra pellizque y dé un contragolpe.** Los paneles grandes tienden a pandearse con su propio peso. Deben colocarse los soportes debajo de todas las porciones del panel que cuelga de la superficie de la mesa.

• **Tenga mayor precaución cuando corte una pieza de trabajo que esté torcida, con nudos, deforme o no tenga un borde derecho para guiarla con un calibre de inglete o a lo largo de la guía.** Una pieza de trabajo deforme, con nudos o torcida no es estable y provoca la mala alineación de la separación de corte con la hoja de la sierra, amarre y contragolpe.

• **Nunca corte más de una pieza de trabajo, apilada de modo vertical u horizontal.** La hoja de la sierra podría recoger una o más piezas, y causar un contragolpe.

• **Al reiniciar la sierra con la hoja de la sierra en la pieza de trabajo, centre la hoja de la sierra en la separación de corte para que los dientes de la sierra no tengan contacto con el material.** Si la hoja de la sierra se amarra, puede levantar la pieza de trabajo y provocar un contragolpe cuando se reinicie la operación de la sierra.

• **Mantenga las hojas de la sierra limpias, afiladas y bien fijas.** Nunca use hojas de sierra deformes o con dientes cuarteados o rotos. Las hojas de sierra afiladas y bien fijas minimizan el amarre, que de pronto se detengan o un contragolpe.

Advertencias del procedimiento para operar una sierra de mesa

• **Apague la sierra de mesa y desconecte el cable de alimentación cuando retire el complemento de la mesa, cambiando la hoja de la sierra o haciendo ajustes al cuchillo divisor, dispositivo para evitar un contragolpe o protector de la hoja de sierra, y cuando la máquina esté desatendida.** Las medidas de precaución prevendrán los accidentes.

• **Nunca deje desatendida una sierra de mesa en operación.** Apáguela y no deje la herramienta hasta que se haya detenido por completo. Una sierra encendida desatendida es un peligro sin control.

• **Localice la sierra de mesa en un área bien iluminada y a nivel donde pueda mantener un buen punto de apoyo y equilibrio.** Debe estar instalada en un área que provee suficiente espacio para manejar

fácilmente el tamaño de su pieza de trabajo. Las áreas reducidas, oscuras y los pisos resbalosos no uniformes invitan a los accidentes.

• **Limpie con frecuencia y retire el aserrín debajo de la mesa de la sierra, o del dispositivo de recolección de polvo.** El aserrín acumulado es combustible y puede encenderse por sí solo.

• **La sierra de mesa debe estar fija.** Una sierra de mesa que no esté fija correctamente puede moverse o voltearse.

• **Retire las herramientas, desperdicios de madera, etc. de la mesa antes de encender la sierra de mesa.** Una distracción o posible atasco puede ser peligroso.

• **Siempre use hojas de sierra del tamaño y forma correctos (diamante vs. redonda) para los orificios del eje.** Las hojas de sierra que no corresponden a los elementos de montaje de la sierra operarán fuera de centro, ocasionando pérdida de control.

• **Nunca use medios para montar una hoja de sierra dañada o de forma incorrecta como bridas, arandelas de hoja de sierra, pernos o tuercas.** Estos medios de montaje se diseñaron específicamente para su sierra para una operación segura y desempeño óptimo.

• **Nunca se suba a la sierra de mesa ni la use como banco para subir.** Podría sufrir una lesión grave si la herramienta se voltea o si tiene un contacto accidental con la herramienta de corte.

• **Asegúrese de que la hoja de la sierra se instale para girar en la dirección correcta. No use ruedas de esmeril, cepillos de alambre o ruedas abrasivas en una sierra de mesa.** La instalación incorrecta de una hoja de sierra o el uso de accesorios no recomendados puede causar lesiones graves.

• **Siempre use el sentido común y tenga precaución al usar las herramientas.** No es posible anticipar cada situación que podría resultar en un peligro. No use esta herramienta si no comprende estas instrucciones operativas o si siente que el trabajo supera su capacidad; contacte a Milwaukee Tool o a un profesional capacitado para obtener información adicional o capacitación.

• **Conserve las etiquetas y las placas nominales.** Contienen información importante. Si son ilegibles o no están presentes, comuníquese con un centro de servicio MILWAUKEE para obtener un reemplazo gratuito.

• **⚠️ ADVERTENCIA** Algunos polvos generados por el lijado eléctrico, aserrado, pulido, taladrado y otras actividades de construcción contienen químicos identificados como causantes de cáncer, defectos congénitos u otros daños reproductivos. Algunos ejemplos de estos químicos son:

- plomo de pintura basada en plomo
- dióxido de silicio de los ladrillos y el cemento y otros productos de albañilería y
- arsénico y cromo de madera con tratamiento químico. Su riesgo por estas exposiciones varía, dependiendo de la frecuencia con que realice este tipo de trabajo. Para reducir su exposición a estos químicos: trabaje en un área bien ventilada y trabaje con equipo de seguridad aprobado, como mascarillas protectoras contra polvo especialmente diseñadas para filtrar partículas microscópicas.

SIMBOLOGÍA



Volts



Corriente continua

n₀ XXXX min⁻¹ Revoluciones por minutos sin carga (RPM)



Leer el manual del operador



Use protección para los ojos. Use protección auditiva y respiratoria



Mantenga las manos y el cuerpo fuera de trayecto de la hoja de la sierra.



Empareje la separación de corte de la hoja (>1,8 mm) y el grosor del cuerpo de la hoja (<1,55 mm) con la marca en el cuchillo divisor para reducir el riesgo de contragolpe.



Use únicamente hojas de sierra de 210 mm (8-1/4")



Empareje la dirección de la flecha en la hoja de la sierra con la dirección de la flecha en el cuchillo divisor. .

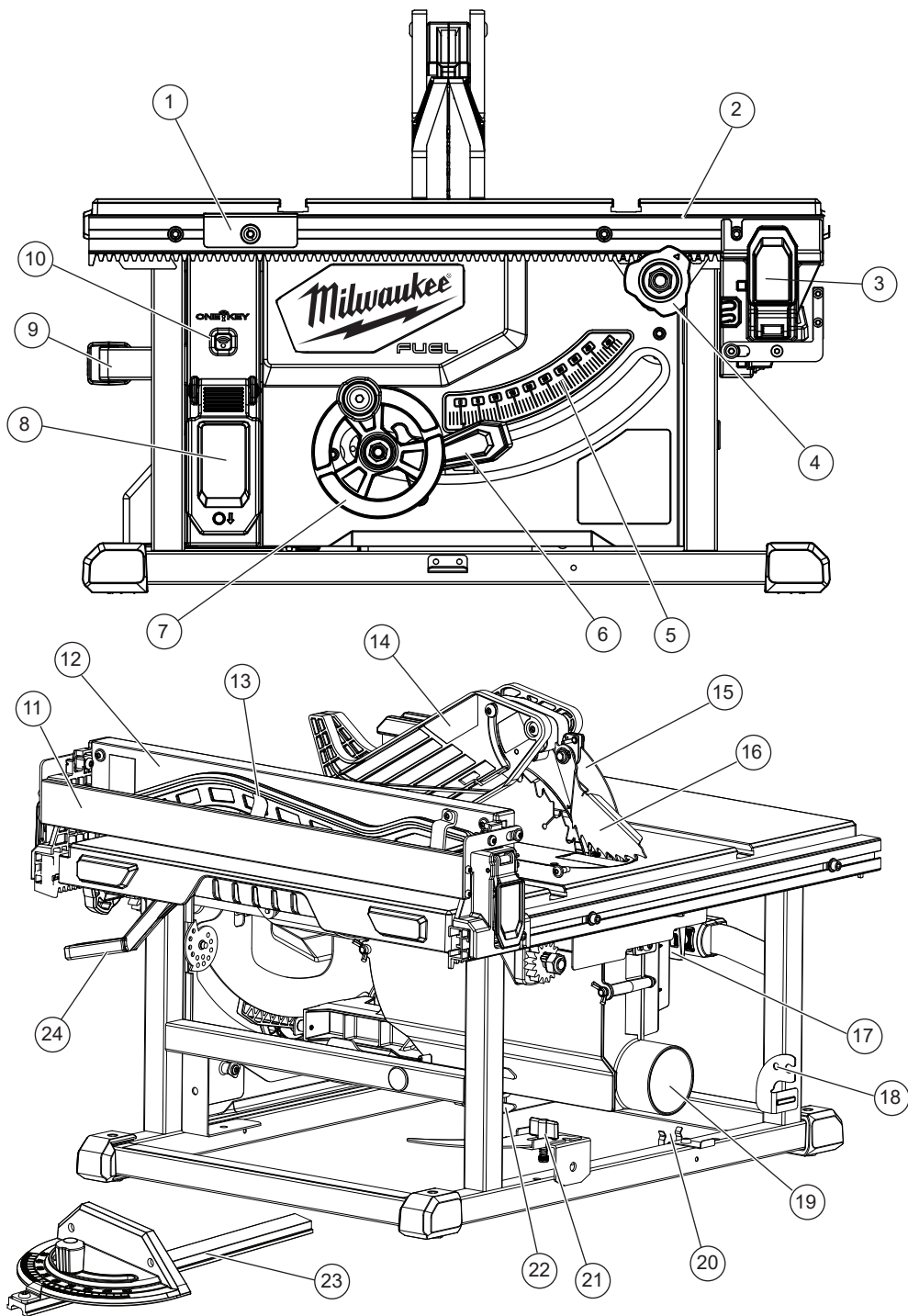


UL Listing Mark para Canadá y Estados Unidos

ESPECIFICACIONES

Cat. No.....	2736-20
Volts.....	18 CD
Tipo de batería.....	M18™
Tipo de cargador.....	M18™
Temperatura ambiente recomendada para operar.....	-18°C a 50°C (0°F to 125°F)
RPM sin carga.....	6 300
Eje de la hoja.....	5/8"
Diámetro de la hoja.....	8-1/4" (210 mm)
Inclinación de la hoja.....	-3° a 47°
Ángulo del calibre de inglete.....	60° hacia la derecha o izquierda
Profundidad de corte, 0° bisel.....	63,5 mm (2,5")
Profundidad de corte, 45° bisel.....	44,4 mm (1,75")
Separación del corte de la hoja.....	mínimo >1,8 mm
.....	máximo <2,2 mm
Grosor del cuerpo de la hoja.....	máximo <1,55 mm
Grosor del cuchillo divisor.....	1,6 mm (0,063")

DESCRIPCION FUNCIONAL



1. Indicador de la escala de corte al hilo
2. Escala de corte al hilo
3. Cierres de la guía
4. Manija para ajustar la guía
5. Escala de bisel
6. Palanca para bloquear el bisel
7. Volante de mano para ajustar la altura
8. Couvercle de commutateur
9. Asa para traslado
10. Indicador de ONE-KEY™
11. Guía de corte de extensión
12. Guía de corte
13. Barra de empuje
14. Protección de la hoja
15. Cuchillo divisor y protector de hoja ensamble
16. Trinquete que evita contragolpes
17. Palanca de liberación del cuchillo
18. Almacenamiento de los trinquete del evita contragolpes
19. Canaleta de descarga de polvo
20. Almacenamiento del calibre de inglete
21. Cuchillo divisor sin protector / almacenamiento del cuchillo divisor
22. Llave de la hoja / almacenamiento de la llave de la hoja
23. Calibre de inglete
24. Seguro de la guía

ENSAMBLAJE

⚠️ ADVERTENCIA Recargue la batería sólo con el cargador especificado para ella. Para instrucciones específicas sobre cómo cargar, lea el manual del operador suministrado con su cargador y la batería.

Como se inserta/quita la batería en la herramienta

Para **retirar** la batería, presione los botones de liberación y jale de la batería para sacarla de la herramienta.

⚠️ ADVERTENCIA Para reducir el riesgo de lesiones, extraiga siempre la batería antes de acoplar o desacoplar accesorios. Para **introducir** la batería, deslícela en el cuerpo de la herramienta. Asegúrese de que quede bien firme en su posición.

⚠️ ADVERTENCIA Utilice únicamente accesorios específicamente recomendados para esta herramienta. El uso de accesorios no recomendados podría resultar peligroso.

Si alguna parte se daña o se pierde, no opere esta herramienta hasta reemplazar las partes. Usar este producto con partes dañadas o perdidas puede resultar en lesiones personales graves.

No intente modificar esta herramienta ni crear accesorios no recomendados para el uso con esta herramienta. Cualquier dicha alteración o modificación es un uso inapropiado, y puede resultar en una condición peligrosa que provoque posibles lesiones personales graves.

No inserte en la batería hasta que el ensamblado esté completo. El incumplimiento podría resultar en el arranque accidental y posibles lesiones personales graves.

No levante la sierra sin ayuda. Manténgala cerca de su cuerpo. Mantenga las rodillas dobladas y levante con las piernas, no con la espalda. Ignorar estas precauciones puede resultar en una lesión de espalda.

Desempacar

Este producto requiere de ensamblado.

- Levante la sierra cuidadosamente de la caja y colóquela en la superficie de trabajo nivelada.

NOTA: Esta herramienta está muy pesada. Para evitar una lesión en la espalda, mantenga las rodillas dobladas y levante con las piernas, no la espalda, y busque ayuda cuando sea necesario.

- Si la herramienta se envía con una batería instalada, retire el paquete de baterías.
- Retire los empaques y cierres.
- Revise cuidadosamente la herramienta para asegurarse de que no se rompió ni dañó durante el envío.
- No deseche el material de empaque hasta que haya revisado cuidadosamente la herramienta, haya identificado todas las partes sueltas y haya operado satisfactoriamente la herramienta.

Montaje de la sierra de mesa

⚠️ ADVERTENCIA Asegúrese de que la sierra esté en una superficie estable y nivelada antes de usarse.

Para tener una mayor estabilidad, monte la sierra de mesa al montaje de trabajo usando los orificios de montaje en el marco. Inserte los tornillos en un ángulo a través del marco de la Sierra de mesa.

La base de la sierra de mesa también puede usarse.

Comprender la sierra de mesa

Antes de ajustar u operar la sierra debe tener una comprensión básica del uso y la terminología de la sierra de mesa.

La porción superior de la hoja sobresale de la mesa y está rodeada de un inserto llamado placa de garganta. La altura de la hoja se fija con un volante de mano en la parte frontal del gabinete. La guía de corte se usa para posicionar el trabajo para cortes longitudinales. Una escala de guía de corte en el riel frontal muestra la distancia entre la guía de corte y la hoja. Es muy importante usar un cuchillo divisor con un protector de hoja y trinquetes que evitan contragolpes para todas las operaciones de aserrado. Use el calibre de inglete para todas las operaciones de corte transversal.

Las instrucciones detalladas se proveen en este manual para hacer ajustes y cortes básicos: cortes transversales, cortes de inglete, cortes de bisel y cortes compuestos. Esta sierra de mesa está diseñada para cortar madera y productos de composición de madera únicamente. No corte metal. No corte plástico.

Comprenda estas instrucciones antes de continuar.

Selección, instalación y cambio de hojas

⚠ ADVERTENCIA No use las hojas con menor clasificación que la velocidad de esta herramienta. No respetar esta advertencia podría resultar en una lesión personal.

⚠ ADVERTENCIA Use la hoja de la sierra correcta para el cuchillo divisor. Empareje la separación de corte de la hoja (>1,8 mm) y el grosor del cuerpo de la hoja (<1.55 mm) con la marca en el cuchillo divisor para reducir el riesgo de contragolpe. No respetar esta advertencia podría resultar en una lesión personal.

⚠ ADVERTENCIA Las hojas están afiladas. Use guantes de trabajo al manejar las hojas.

⚠ AVISO Para trabajar correctamente, los dientes de la hoja de la sierra deben apuntar hacia la parte frontal de la sierra. No respetar esta advertencia podría dañar la hoja de la sierra, la sierra o la pieza de trabajo.

Siempre use hojas limpias y afiladas. Las hojas desafiladas tienden a sobrecargar la herramienta, a amarrarse y a pellizcar. Use únicamente hojas de sierra de mesa de 210 mm (8-1/4") clasificadas para al menos 6 300 RPM.

La hoja provista con la sierra es una hoja de combinación de alta calidad apta para operaciones de corte al hilo y corte transversal.

La anchura de la separación de corte de la hoja y el grosor del cuerpo de la hoja deben encontrarse dentro de los límites indicados en el cuchillo divisor. No use hojas para cortar metal. No corte plástico.

La llave de la hoja debe guardarse en el marco de la sierra de mesa (consulte "Descripción funcional" para conocer el lugar de almacenaje).

NOTA: Para reemplazar la hoja con una hoja accesoria, siga las instrucciones provistas con el accesorio.

Para cambiar la hoja de la sierra:

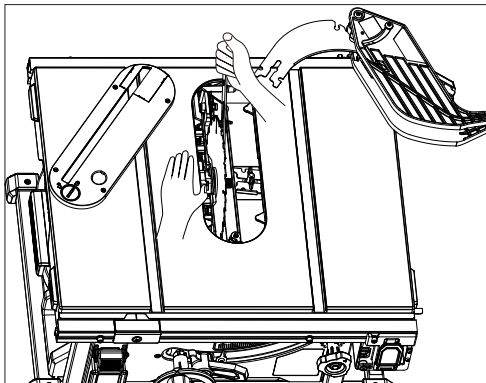
1. Extraiga la batería.
2. Fije el ángulo de la hoja (bisel) a 0° y asegúrela en su lugar.
3. Levante la hoja girando la altura, ajustando el volante de mano hacia la derecha.

4. Retire el cuchillo divisor.

5. Retire la placa de garganta.

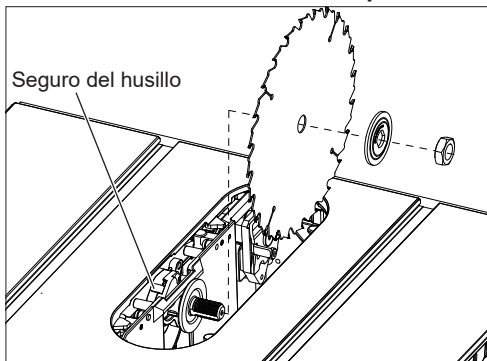
6. Oprima el seguro del husillo y gire el husillo/hoja hasta que se bloquee.

7. Use la llave de la hoja para aflojar el perno de la hoja hacia la izquierda. Retire cuidadosamente el perno de la hoja y la brida de la hoja a mano. Retire la hoja. Limpie el perno de la hoja, las bridas y el husillo para eliminar el polvo y la basura. Revise que las piezas no estén dañadas. Reemplace de ser necesario.



8. Empareje la dirección de la flecha en la hoja de la sierra de reemplazo con la dirección de la flecha en el cuchillo divisor. Los dientes deben apuntar hacia la parte frontal de la sierra de mesa. Deslice la hoja hacia el husillo.

9. Instale la brida de la hoja exterior. El lado plano de la brida debe descansar sobre la hoja.



10. Enrosque a mano el perno de la hoja. Una vez que empiece a girar el husillo, oprima el seguro del husillo y gire la hoja hasta que se bloquee. Fije con firmeza hacia la derecha con la llave de la hoja.

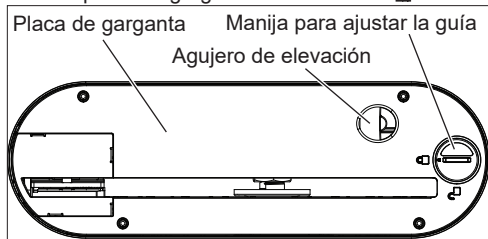
11. Vuelva a instalar la placa de garganta, el cuchillo divisor y los trinquetes que evitan contragolpes adecuados para la aplicación.

12. Revise que la protección de la hoja y los trinquetes que evitan contragolpes se muevan libremente antes de encender la sierra. Asegúrese de que los dientes de la hoja vayan en la misma dirección que la rotación indicada en el cuchillo divisor.

Cambio de placa de garganta

⚠ ADVERTENCIA Siempre use la placa de garganta correcta para la operación. Diferentes hojas pueden requerir diferentes placas de garganta. Nunca opere la sierra sin una placa de garganta en su lugar.

1. Extraiga la batería
2. Baje la hoja girando la altura, ajustando el volante de mano hacia la izquierda.
3. Para **retirar** la placa de garganta, gire el pestillo de la placa de garganta hacia abierto.



4. Use el agujero para levantar la placa de garganta hacia afuera.
5. Para **instalar** la placa de garganta, deslice el extremo posterior dentro de la ranura y deje caer la parte frontal en su lugar. Gire el pestillo de la placa de garganta hacia cerrado . La placa de garganta debe estar al ras de la mesa de sierra.

Cambio del cuchillo divisor

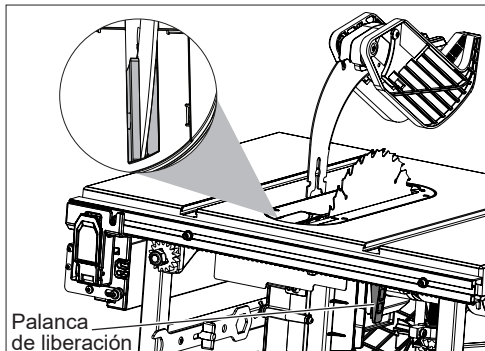
⚠ ADVERTENCIA Use la hoja de la sierra correcta para el cuchillo divisor. Empareje la separación de corte de la hoja (>1,8 mm) y el grosor del cuerpo de la hoja (<1,55 mm) con la marca en el cuchillo divisor para reducir el riesgo de contragolpe. No respetar esta advertencia podría resultar en una lesión personal.

Se proveen dos cuchillos divisores con la sierra; el *cuchillo divisor con protector* y el *cuchillo divisor sin protector*. El *cuchillo divisor con protector* debe usarse para las operaciones de desbrozado, a fin de tener una protección máxima contra un contragolpe. Al realizar una operación que requiera un "corte no desbrozado", use un *cuchillo divisor sin protector*. No use ningún cuchillo divisor al hacer un corte de bisel. Almacene la cuchilla divisor en la sierra de mesa cuando no esté en uso (consulte "Descripción funcional" para conocer el lugar de almacenaje).

Cambio de cuchillo divisor:

1. Extraiga la batería.
2. Levante la hoja girando la altura, ajustando el volante de mano hacia la derecha.
3. Libere la palanca de liberación del cuchillo.
4. Para **retirar**, jale el cuchillo divisor de manera recta hacia arriba.
5. Para **instalar**, inserte el cuchillo divisor en la ranura directamente detrás de la hoja hasta que esté colocada con firmeza. **NOTA:** si la palanca de liberación no está completamente abierta, el cuchillo divisor puede no estar colocado correctamente.
6. Cierre la palanca de liberación del cuchillo completamente.
7. Tire suavemente del cuchillo divisor para asegurar que esté fijo en su lugar.

8. Cuando use el cuchillo divisor con protector, levante las patas del protector, y asegure que se muevan de manera independiente y hagan contacto con la superficie de la mesa. Las patas del protector pueden levantarse para alinear el corte, pero deben bajarse para hacer contacto con la parte superior de la mesa antes de encender la sierra.



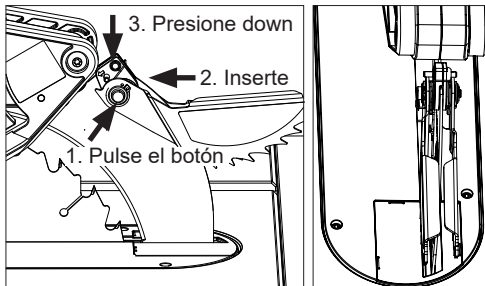
Instalación de los trinquetes que evitan contragolpes

⚠ ADVERTENCIA Siempre instale los trinquetes que evitan contragolpes en el cuchillo divisor con protector al realizar operaciones de "corte no desbrozado".

Reemplace los trinquetes que evitan los contragolpes dañados o que no funcionen bien. Los trinquetes dañados o que no funcionen bien pueden no detener un contragolpe, aumentando el riesgo de una lesión personal grave.

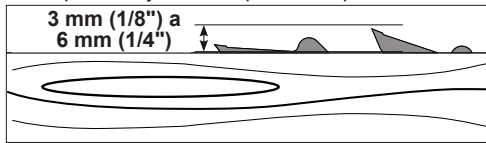
Los trinquetes que evitan contragolpes deben instalarse únicamente para cortes desbrozados.

1. Extraiga la batería.
2. Levante la hoja girando la altura, ajustando el volante de mano hacia la derecha.
3. Instale el cuchillo divisor con protector.
4. Oprima el botón de liberación del trinquete e inserte la ranura en la junta del trinquete, dentro de la muesca del cuchillo divisor. Aprieta la articulación. **NOTA:** puede ser más fácil instalar los trinquetes desde la parte delantera de la sierra.
5. Tire suavemente del trinquete para asegurar que esté fijo en su lugar. Asegúrese de que los trinquetes se muevan libremente y no estén encañados en la ranura de la placa.



Cambio de la profundidad de la hoja

La profundidad de la hoja debe estar fija para que las puntas exteriores de la hoja estén por encima de la pieza de trabajo por aproximadamente 3 mm (1/8") a 6 mm (1/4"), pero los puntos más bajos (gargantas) están por debajo de la superficie superior.



1. Extraiga la batería.
2. **Baje** la hoja girando la altura, ajustando el volante de mano hacia la izquierda.
3. **Levante** la hoja girando la altura, ajustando el volante de mano hacia la derecha.

Instalación y movimiento de la guía de corte

Para instalar la guía de corte en uno de los postes de la guía:

1. Abra los cierres de la guía.
2. Embone las muescas en la guía por encima de los postes de la guía correspondiente.
3. Cierre los cierres de la guía.
4. Revise que la guía sea perpendicular a la hoja (consulte "Ajuste de la hoja a la guía" en Mantenimiento).

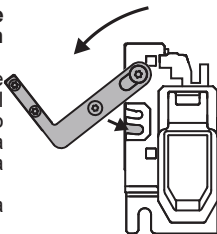
Para mover la guía de corte:

1. Tire del seguro de la guía hacia adelante.
2. Use la manija para ajustar la guía para mover la guía de corte hacia la izquierda o derecha.
3. Empuje el seguro de la guía hacia atrás.

Para usar la guía de corte de extensión como extensión de la mesa:

Use la guía de corte de extensión para sostener el borde de la pieza de trabajo cuando la guía se mueva más allá del borde de la mesa.

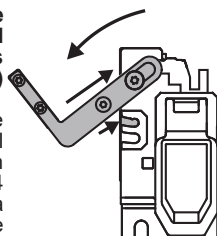
1. Tire del seguro de la guía hacia adelante.
2. Use la manija para ajustar la guía para mover la guía de corte de extensión más allá del borde de la mesa.
3. Voltee la extensión de la guía. La lengüeta en la guía de corte de extensión cabrá dentro de la ranura inferior en la guía.
4. Ajuste la guía como sea necesario y empuje el seguro de la guía hacia atrás



Para utilizar la guía de corte longitudinal extendida al cortar piezas delgadas (19 mm (3/4") o menos) cerca de la hoja:

NOTA: Utilice únicamente la guía de corte longitudinal extendida en esta posición para piezas de trabajo de 3/4" de espesor o menos. Para piezas más gruesas, utilice el calibrador de ingletes.

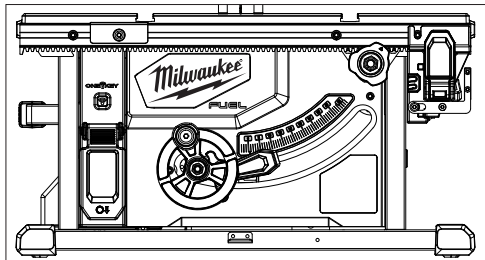
Siempre use una barra de empuje para mantener las manos al menos 76 mm (3") alejadas de la hoja.



1. Tire del seguro de la guía hacia adelante.
 2. Use la manija para ajustar la guía para mover la posición de la guía de corte.
 3. Voltee la extensión de la guía. Deslice la guía de corte de extensión hacia atrás y luego empuje hacia abajo. La lengüeta en la guía de corte de extensión cabrá dentro de la ranura superior en la guía.
 4. Ajuste la guía como sea necesario y empuje el seguro de la guía hacia atrás.
 5. **NOTA:** Si la guía se ajusta cerca de la hoja, asegúrese de que el protector y los trinquetes anti-contragolpe se muevan libremente. Pueden descansar encima de la extensión de la cerca.
- ADVERTENCIA!** Nunca se pare directamente en la línea de la hoja. Las piezas de corte delgadas se pueden tirar hacia fuera y hacia el operador cuando los trinquetes anti-contragolpe no están enganchados con la madera.

Para guardar la guía:

Al hacer un corte transversal o guardar la herramienta, retire y guarde la guía de corte, como se muestra. La guía cabe alrededor del seguro de la guía. **NOTA:** el riel de la guía no puede ajustarse cuando la guía está en posición de guardado.



Uso de una valla auxiliar

Utilice una cerca auxiliar para cortar pedazos finos de madera, tales como paneles de chapa, que podrían ser pellizcados debajo de la guía de corte. Para crear una guía auxiliar, sujete un trozo de madera 25x102 mm (1x4) (sin bordes biselados) a la guía de corte y enjuague a la mesa.

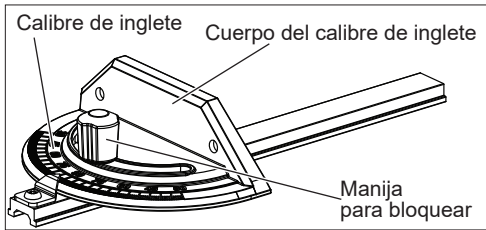
Cambio de ángulo de la hoja (bisel)

NOTA: un corte de 90° tiene un bisel de 0° y un corte de 45° tiene un bisel de 45°.

1. Extraiga la batería.
2. Levante la palanca para bloquear el bisel.
3. Sostenga el volante de mano para ajustar la altura y deslice en el ángulo del bisel deseado.
4. Empuje hacia abajo la palanca para bloquear el bisel.
5. Revise el espacio libre de la guía antes de hacer un corte. Haga un corte de muestra antes de empezar a trabajar.

Uso del calibre de inglete

El calibre de inglete provee mayor precisión en cortes angulares. Para tolerancias muy cercanas, se recomiendan los cortes de prueba.



Existen dos ranuras del calibre de inglete, una en cada lado de la hoja. Al hacer un corte transversal de 90°, usted puede usar cualquier ranura del calibre de inglete. Al hacer un corte transversal biselado (la hoja inclinada en relación con la mesa) el calibre de inglete debe localizarse en la ranura de lado derecho, a fin de que la hoja se incline alejada del calibre de inglete y de sus manos.

El calibre de inglete puede girarse 60° hacia la derecha o izquierda.

1. Afloje la manija del seguro.
2. Con el calibre de inglete en la ranura del calibre de inglete, gire el calibre hasta que se alcance el ángulo deseado en la escala.
3. Apriete firmemente la manija del seguro.

Recolección de polvo

ADVERTENCIA El aserrín recolectado de las piezas con recubrimiento (poliuretanos, aceite de linaza, etc.) pueden encenderse por sí mismo y provocar un incendio. A fin de reducir el riesgo de incendio, vacíe frecuentemente y nunca almacene ni dije una sierra sin vaciarla completamente.

La canaleta de descarga de polvo en la parte trasera de la sierra puede conectarse a una manguera de aspiradora. Para instalarla, oprima y gire la manguera en la canaleta de descarga de polvo.

Deje la canaleta de descarga de polvo abierta para dirigir el polvo hacia abajo a un bote de basura.

Transporte y almacenaje

Siempre almacene todas las partes de la sierra, como la guía, calibre de inglete, cuchillo divisor, cuchillo divisor con protector y llave de la hoja con la sierra en el transporte y almacenaje.

Descienda la hoja, retire la batería y/o bloquee el interruptor de encendido y apagado (ON/OFF) antes de transportar o guardar la sierra.

ONE-KEY™

Para obtener más información acerca de la funcionalidad de ONE-KEY™ para esta herramienta, consulte la Guía de inicio rápido que se incluye con este producto o visite milwaukeeetool.com/One-Key. Para descargar la aplicación ONE-KEY™, visite la App Store o Google Play desde su dispositivo inteligente.

NOTA: una descarga eléctrica alta de la herramienta puede causar que la aplicación de ONE-KEY™ pierda la conexión. Siga las indicaciones de la aplicación para volver a conectarse.

OPERACION

ADVERTENCIA Para reducir el riesgo de lesiones, siempre utilice gafas o lentes de seguridad con protectores laterales. Use protección auditiva y respiratoria.

SIEMPRE bloquee el accionador cuando esta herramienta no esté en uso. Inserte un candado o abrazadera estándar detrás del interruptor, a fin de evitar que lo enciendan usuarios sin capacitar.

SIEMPRE asegúrese que su pieza de trabajo no esté en contacto con la hoja antes de encender la herramienta. El contacto con la pieza de trabajo puede causar que la pieza de trabajo dé un contragolpe hacia el operador y resulte en una lesión personal grave.

Nunca se coloque directamente en línea con la hoja ni permita que las manos se acerquen a más de 76 mm (3") de la hoja. No intente alcanzar algo por encima o a través de la hoja. El contacto con la hoja puede resultar en lesiones personales graves.

Asegúrese de que la sierra esté en una superficie estable y nivelada antes de usarse.

Causas de contragolpe

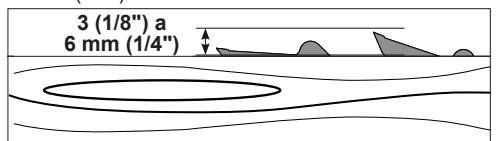
Un contragolpe puede producirse cuando la hoja se atasca o amarra, aventando la pieza de trabajo hacia atrás y hacia usted con gran fuerza y velocidad. Si sus manos están cerca de la hoja, pueden zafarse de la pieza de trabajo y tocar la hoja. Es obvio que un contragolpe puede provocar una lesión grave, por lo que vale mucho la pena tener precaución para prevenir los riesgos.

Un contragolpe puede producirse con una acción que pellizque la hoja en la madera, tal y como:

- Hacer un corte con la profundidad de corte incorrecta
- Cortar con sierra nudos o clavos en la pieza de trabajo
- Torcer la madera mientras se hace un corte
- No brindar soporte al trabajo
- Forzar un corte
- Cortar madera deforme o húmeda
- Usar la hoja equivocada para el tipo de corte
- No seguir los procedimientos correctos de operación
- Darle un mal uso a la sierra
- No usar los trinquetes que evitan contragolpes
- Cortar con una hoja sin filo, pegada o colocada incorrectamente

Evitar un contragolpe

- Siempre use la profundidad correcta de la hoja. La parte superior de los dientes de la hoja deben dar un espacio en la pieza de trabajo de 3 (1/8") a 6 mm (1/4").



- Revise que el trabajo no tenga nudos ni clavos, antes de empezar a cortar. Quite cualquier nudo flojo con un martillo. Nunca corte con sierra un nudo flojo o clavo.

- Siempre use la guía de corte cuando haga un corte al hilo. Use el calibre de inglete cuando haga un corte transversal. Esto ayuda a evitar que se tuerza la madera en el corte.
- Siempre use hojas limpias, afiladas y colocadas correctamente. Nunca haga cortes con hojas sin filo.
- Para evitar pellizcar la hoja, dé soporte al trabajo antes de empezar a cortar.
- Al hacer el corte, aplique presión constante y uniforme. Nunca fuerce los cortes.
- No corte madera húmeda o deforme.
- Tenga más precaución cuando corte productos de madera sin terminado o compuesta, ya que los trinquetes que evitan los contragolpes pueden no siempre ser eficaces.
- Siempre guíe su pieza de trabajo con ambas manos, o con barras o bloques de empuje. Mantenga su cuerpo en una posición equilibrada, a fin de poder resistir un contragolpe, en caso de presentarse. Nunca se coloque directamente en línea con la hoja.
- El uso de una mesa con canto biselado le ayudará a mantener la pieza de trabajo fijamente contra la mesa de la sierra o guía.
- Limpie la sierra, el protector de la hoja, debajo de la placa de garganta y cualquier área donde se pueda acumular el aserrín o desperdicio de la pieza de trabajo.
- Use el tipo correcto de hoja para el corte que se realizará.
- Siempre use el cuchillo divisor para cada operación, cuando se permita. El uso de este dispositivo reducirá en gran parte el riesgo de un contragolpe.

Encender y apagar la sierra (ON/OFF)

ADVERTENCIA Revise cuidadosamente y bloquee todos los ajustes, y gire la hoja una revolución completa, a fin de asegurar que haya un espacio adecuado antes de insertar la batería. Un espacio de hoja incorrecto y accesorios flojos pueden resultar en lesiones personales graves.

ADVERTENCIA Al realizar un corte transversal, asegúrese de que la protección de la hoja esté instalada y funcionando correctamente, a fin de evitar una lesión personal grave.

ADVERTENCIA Para reducir el riesgo de lesiones, siempre utilice gafas o lentes de seguridad con protectores laterales. Use protección auditiva y respiratoria.

Retire la abrazadera antes de usar por primera vez.

1. Revise todos los accesorios.
2. Inserte la batería.
3. Alinee la pieza de trabajo, pero no haga contacto con la hoja. **NOTA:** al usar el cuchillo divisor con protector, las patas del protector pueden levantarse para alinear el corte, pero deben bajarse para hacer contacto con la parte superior de la mesa antes de encender la sierra.
4. Para encender la sierra en **ON**, levante la cubierta del interruptor y luego levante el interruptor.
5. Para apagar la sierra en **OFF**, oprima la cubierta del interruptor hacia abajo.

ADVERTENCIA No permita que el cono de la herramienta lo vuelva descuidado. Recuerde que, una fracción de segundo de descuido es suficiente para provocar una lesión grave.

No use ningún accesorio que no recomiende el fabricante de esta herramienta. El uso de accesorios no recomendados puede resultar en lesiones personales graves.

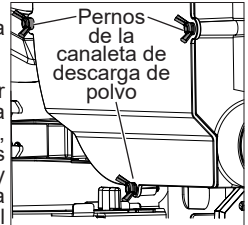
Liberar un atasco/Limpieza del conducto de polvo

Para liberar un atasco:
1. Apague la herramienta en **OFF**.

2. Extraiga la batería.

3. Si no puede despejar el atasco quitando la placa de la garganta, quite los tres pernos del conducto de polvo y quite el atasco o la ruina del compartimiento del polvo. Limpie completamente el conducto de polvo.

4. Vuelva a instalar todos los componentes y compruebe todos los ajustes antes de reiniciar el trabajo.

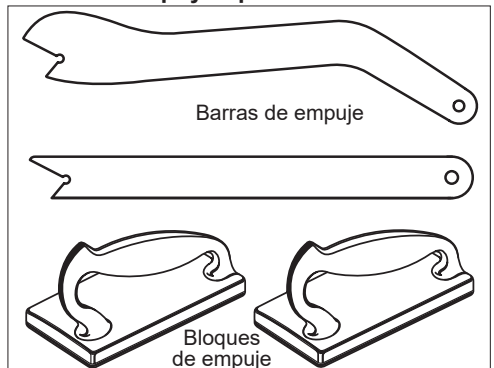


APLICACIONES

Use esta herramienta para los fines enumerados a continuación:

- Operaciones de corte en línea recta, como corte transversal, corte al hilo, corte de inglete, biselado y corte compuesto
 - Corte de bisel con accesorios opcionales
 - Para hacer gabinetes y carpintería
- NOTA:** esta sierra de mesa está diseñada para cortar madera y productos de composición de madera únicamente. No corte metal. No corte plástico.

Apoyos para corte



Las barras de empuje son dispositivos que pueden usarse para empujar una pieza de trabajo por la hoja en cualquier corte al hilo. Al hacer cortes no desbrozados o al hilo con materiales angostos, siempre use una barra de empuje, bloque de empuje o mesa con canto biselado, a fin de que sus manos no se acerquen a 76 mm (3") de distancia de la hoja

de la sierra. Use la barra de empuje provista con la sierra de mesa, o pueden hacerse de varios tamaños y formas con madera sobrante, y usarse para un proyecto en específico. La barra debe ser más angosta que la pieza de trabajo, con una muesca de 90° en un extremo y con una forma que ayude al agarre en el otro extremo.

Un bloque de empuje tiene una empuñadura sujeta con tornillos empotrados desde el lado inferior. Use los bloques de empuje para los cortes angostos

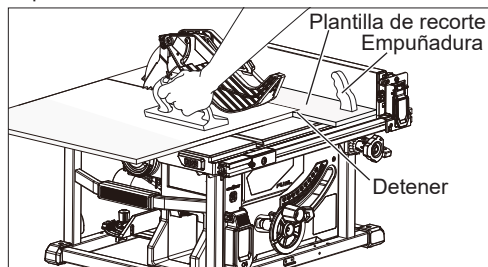
⚠ PRECAUCIÓN Asegúrese de que los tornillos en el bloque de empuje estén empotrados para evitar dañar la sierra o pieza de trabajo.

Cómo hacer una plantilla de recorte (Para hacer un corte al hilo en una pieza de trabajo angosta)

Si hace un corte al hilo en piezas de trabajo angostas que colocan las manos muy cerca de la hoja, será necesario hacer y usar una plantilla de recorte

Para hacer la plantilla de recorte:

1. Ajuste una empuñadora a una pieza de madera larga y recta, y fijela desde el lado inferior usando tornillos empotrados.
2. Corte un tope en forma de L en el lado de la plantilla de recorte.



Para usar la plantilla de recorte:

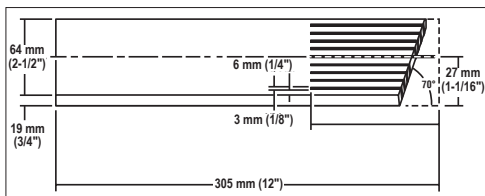
1. Posicione la pieza de trabajo de forma plana sobre la mesa con el ras del borde contra la plantilla de recorte y contra el tope.
2. Haga el corte al hilo mientras sostiene la empuñadora de la plantilla de recorte y usando un bloque o barra de empuje.

Mesa con canto biselado

⚠ ADVERTENCIA Coloque la mesa de canto biselado contra la porción no cortada de la pieza de trabajo, a fin de evitar un contragolpe que pueda provocar una lesión personal grave.

Una mesa con canto biselado es un dispositivo que se usa para ayudar a controlar la pieza de trabajo sosteniéndola fijamente contra la mesa o guía. Las mesas con canto biselado son especialmente útiles al cortar piezas de trabajo pequeñas al hilo y para completar los cortes no desbrozados. El extremo es angular con varias separaciones de corte cortas para dar una retención de fricción en la pieza de trabajo y asegurarla en su lugar en la mesa con una abrazadera en C. Haga una prueba para asegurar que resista un contragolpe.

Cómo hacer una mesa con canto biselado



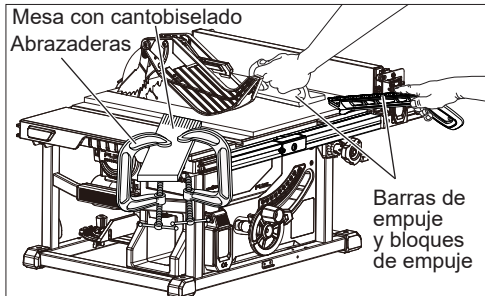
Seleccione una pieza sólida de madera, aproximadamente de 19 mm (3/4") de grosor, 64 (2-1/2") de ancho y 305 mm de largo (12"). Marque el centro de la anchura con un extremo del material. Haga una esquina biselada del ancho a 70°. Marque la mesa desde el punto más ancho en 102 mm (cuatro pulgadas).

Prepare la sierra para hacer un corte al hilo. Fije la guía de corte para permitir aproximadamente 6 mm (1/4") de "dedo" que debe cortarse en el material. Alimente el material únicamente hasta la marca hecha previamente a 102 mm (4"). Apague la sierra en **OFF** y permita que la hoja deje de girar completamente antes de retirar el material. Vuelva a colocar la guía de corte y haga cortes al hilo espaciados en la pieza de trabajo para permitir que haya espacios de aproximadamente 6 mm (1/4") de dedo y espacios de 3 mm (1/8") entre los dedos.

Cómo montar una mesa con canto biselado

⚠ ADVERTENCIA No coloque la mesa con canto biselado en la parte trasera de la pieza de trabajo. Si no se posiciona correctamente, puede resultar un contragolpe por la mesa con canto biselado pellizcando la pieza de trabajo y amarrando la hoja en la separación de corte de la sierra. No respetar esta advertencia puede resultar en una lesión personal grave.

Descienda completamente la hoja de la sierra. Posicione la guía de ajuste deseado para que se realice el corte y se bloquee. Coloque la pieza de trabajo contra la guía y por encima del área de la hoja de la sierra. Ajuste la mesa con canto biselado para aplicar resistencia a la pieza de trabajo apenas adelante de la hoja. Fije abrazaderas en C para fijar más la mesa con canto biselado al borde de la mesa de la sierra.

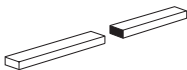
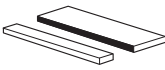

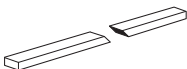
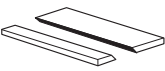
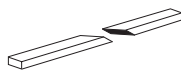


⚠ ADVERTENCIA Siempre asegúrese de que el **cuchillo divisor con protección de la hoja y trinquetes que evitan contragolpes estén colocados en su lugar y funcionando correctamente al realizar estos cortes, a fin de evitar posibles lesiones.**

Siempre use una barra de empuje con piezas pequeñas de madera, y también para terminar el corte al hilo cuando desgarrar una pieza larga y angosta de madera, a fin de evitar que sus manos se acerquen a la hoja.

Tipos de corte

Existen seis cortes básicos: el corte transversal, corte al hilo, corte de inglete, corte transversal biselado, corte al hilo biselado y el corte de inglete (bisel) compuesto. Todos los otros cortes son combinaciones de estos seis básicos. Los procedimientos de operación para hacer cada tipo de corte se dan más adelante en esta sección.

	<p>Corte transversal: cortes derechos de 90° hechos a través de la textura de la pieza de trabajo. La madera es alimentada al corte a un ángulo de 90° de la hoja, y la hoja está vertical.</p>
	<p>Corte al hilo: los cortes se hacen con la textura de la madera. Para evitar un contragolpe mientras se hace un corte al hilo, asegúrese de que un lado de la madera esté montado firmemente contra la guía de corte.</p>
	<p>Corte de inglete: los cortes se hacen con la madera en cualquier ángulo a la hoja que no sean de 90°. La hoja es vertical. Los cortes de inglete tienden a "deslizarse" durante el corte. Esto puede controlarse sosteniendo fijamente la pieza de trabajo contra el calibre de inglete.</p>
	<p>Corte transversal biselado: los cortes se hacen con una hoja angular. Los cortes transversales biselados están sobre la textura de la madera y los cortes al hilo biselados son con la textura.</p>
	<p>Corte al hilo biselado: los cortes se hacen con una hoja angular. Los cortes transversales biselados están sobre la textura de la madera y los cortes al hilo biselados son con la textura.</p>
	<p>Corte de inglete (bisel) compuesto: los cortes se hacen con una hoja angular en madera con un ángulo a la hoja. Familiarícese bien con la forma de hacer cortes transversales, cortes al hilo, cortes biselados y cortes de inglete antes de intentar un corte de inglete compuesto.</p>

Reglas del corte

Esta sierra de mesa puede realizar una variedad de cortes que no se mencionan todos en este manual. NO intente hacer ningún corte que no esté cubierto aquí, a menos que esté completamente familiarizado con los procedimientos correctos y accesorios necesarios. Su biblioteca local tiene muchos libros sobre uso de sierra de mesa y procedimientos de carpintería especializados para su referencia.

- Los cortes de bisel y de machihembrado son cortes no desbrozados, que pueden ser cortes al hilo o cortes transversales. Lea cuidadosamente y comprenda todas las secciones de este manual del operador antes de intentar estas operaciones.
- La separación de corte (el corte hecho entre la hoja y la madera) será más ancho que la hoja para evitar sobrecalentamiento o amarre. Permita que haya separación de corte al medir la madera.
- Asegúrese de que se haga una separación de corte en el lado sobran te de la línea de medición.
- Corte la madera con el lado del terminado hacia arriba.
- Quite cualquier nudo flojo con un martillo antes de hacer el corte.
- Siempre proporcione el apoyo suficiente para la madera cuando salga de la sierra.

⚠ ADVERTENCIA A fin de reducir el riesgo de lesión del contragolpe, revise que haya una alineación adecuada cuando la herramienta se haya almacenado, se haya caído o golpeado, o usado extensivamente. Una herramienta fuera de alineación producirá un amarre y podría resultar en una lesión personal grave. Consulte la sección de "mantenimiento" para conocer el procedimiento de ajuste correcto.

⚠ ADVERTENCIA Revise cuidadosamente y bloquee todos los ajustes, y gire la hoja una revolución completa, a fin de asegurar que haya un espacio adecuado antes de insertar la batería. Un espacio de hoja incorrecto y accesorios flojos pueden resultar en lesiones personales graves.

⚠ ADVERTENCIA Colóquese ligeramente del lado del paso de la hoja para reducir la posibilidad de lesión en caso de un contragolpe.

⚠ ADVERTENCIA No use las hojas con menor clasificación que la velocidad de esta herramienta. No respetar esta advertencia podría resultar en una lesión personal.

Haga un corte transversal

⚠ ADVERTENCIA Asegúrese de que el ensemble de la protección de la hoja esté instalado y funcionando correctamente, a fin de evitar una posible lesión grave.

Al usar la guía de corte como calibre de recorte cuando haga un corte transversal resultará en un contragolpe, que puede provocar una lesión personal grave.

1. Retire la guía de corte.
2. Coloque la hoja en la profundidad correcta para la pieza de trabajo.
3. Coloque el calibre de inglete a 0° y apriete la manija de bloqueo.
4. Inserte la batería.

5. Asegúrese de que la madera no esté en la hoja antes de encender la sierra.
6. **NOTA:** se recomienda que coloque la pieza que se va a guardar en el lado izquierdo de la hoja para que pueda hacer un corte de prueba primero en la madera sobrante.
7. Encienda la sierra en **ON**. Permita que la sierra llegue a su máxima velocidad.
8. Sostenga la pieza de trabajo con firmeza con ambas manos en el calibre de inglete y alimente la pieza de trabajo en la hoja. **NOTA:** la mano más cercana a la hoja debe colocarse en la manija de bloqueo del calibre de inglete y la mano más alejada de la hoja de colocarse en la pieza de trabajo.
9. Apague la sierra en **OFF**. Espere a que la hoja se detenga totalmente antes de retirar la pieza de trabajo.

Hacer un corte al hilo

⚠ADVERTENCIA Asegúrese de que el ensemble de la protección de la hoja esté instalado y funcionando correctamente, a fin de evitar una posible lesión grave.

⚠ADVERTENCIA Los cortes cónicos deben hacerse únicamente con una plantilla de recorte especial, que está disponible en el mercado. No intente hacer un corte cónico a mano libre con esta sierra. No seguir estas instrucciones podría resultar en una lesión personal grave.

1. Extraiga la batería.
2. Retire el calibre de inglete.
3. Instale la mesa con canto biselado en la posición correcta para el corte que se está haciendo.
4. Coloque la hoja en la profundidad correcta para la pieza de trabajo.
5. Posicione la guía de corte a la distancia deseada de la hoja para que el corte y el bloqueo se realicen en su lugar.
6. Al hacer un corte al hilo de una pieza de trabajo larga, coloque un soporte a la misma altura que la superficie de la mesa detrás de la sierra para el trabajo cortado.
7. Posicione la pieza de trabajo de forma plana sobre la mesa con el ras del borde contra la guía de corte.
8. Inserte la batería.
9. Asegúrese de que la madera no esté en la hoja antes de encender la sierra.
10. Encienda la sierra en **ON**. Permita que la sierra llegue a su máxima velocidad.
11. Sostenga la pieza de trabajo con firmeza contra la guía de corte y la mesa. **¡ADVERTENCIA! ¡Mantenga las manos al menos 76 mm (3") alejadas de la hoja en todo momento!** Si hace un corte al hilo de una pieza estrecha, use una barra de empuje o bloques de empuje para mover la pieza por el corte y más allá de la hoja. Tan pronto como la hoja haya hecho contacto con la pieza de trabajo, use la mano que esté más cerca de la guía de corte para guiarla. Asegúrese de que el borde de la pieza de trabajo permanezca en contacto sólido con la guía de corte y la superficie de la mesa. Si hace un corte al hilo de una pieza estrecha, use una barra de empuje o bloques de empuje para mover la pieza por el corte y más allá de la hoja.
12. Apague la sierra en **OFF**. Espere a que la hoja se detenga totalmente antes de retirar la pieza de trabajo.

Hacer un corte de inglete

⚠ADVERTENCIA Asegúrese de que el ensemble de la protección de la hoja esté instalado y funcionando correctamente, a fin de evitar una posible lesión grave.

Al usar la guía de corte como calibre de recorte cuando haga un corte transversal resultará en un contragolpe, que puede provocar una lesión personal grave.

El calibre de inglete debe estar en el lado derecho de la hoja para evitar que se atore la madera y provoque un contragolpe. La colocación del calibre de inglete en el lado izquierdo de la hoja resultará en un contragolpe y el riesgo de una lesión personal grave.

1. Extraiga la batería.
2. Retire la guía de corte.
3. Coloque la hoja en la profundidad correcta para la pieza de trabajo.
4. Coloque el calibre de inglete al ángulo deseado y apriete la manija de bloqueo.
5. Inserte la batería.
6. Asegúrese de que la madera no esté en la hoja antes de encender la sierra.
7. Encienda la sierra en **ON**. Permita que la sierra llegue a su máxima velocidad.
8. Sostenga la pieza de trabajo con firmeza con ambas manos en el calibre de inglete y alimente la pieza de trabajo en la hoja. **NOTA:** la mano más cercana a la hoja debe colocarse en la manija de bloqueo del calibre de inglete y la mano más alejada de la hoja debe colocarse en la pieza de trabajo.
9. Apague la sierra en **OFF**. Espere a que la hoja se detenga totalmente antes de retirar la pieza de trabajo.

Hacer un corte transversal biselado

⚠ADVERTENCIA Asegúrese de que el ensemble de la protección de la hoja esté instalado y funcionando correctamente, a fin de evitar una posible lesión grave.

Al usar la guía de corte como calibre de recorte cuando haga un corte transversal resultará en un contragolpe, que puede provocar una lesión personal grave.

El calibre de inglete debe estar en el lado derecho de la hoja para evitar que se atore la madera y provoque un contragolpe. La colocación del calibre de inglete en el lado izquierdo de la hoja resultará en un contragolpe y el riesgo de una lesión personal grave.

1. Extraiga la batería.
2. Retire la guía de corte.
3. Ajuste el ángulo del bisel en la forma deseada.
4. Coloque la hoja en la profundidad correcta para la pieza de trabajo.
5. Coloque el calibre de inglete a 0° y apriete la manija de bloqueo.
6. Inserte la batería.
7. Asegúrese de que la madera no esté en la hoja antes de encender la sierra.
8. Encienda la sierra en **ON**. Permita que la sierra llegue a su máxima velocidad.
9. Sostenga la pieza de trabajo con firmeza con ambas manos en el calibre de inglete y alimente la pieza de trabajo en la hoja. **NOTA:** la mano más cercana a la hoja debe colocarse en la manija de bloqueo del calibre de inglete y la mano más alejada de la hoja debe colocarse en la pieza de trabajo.

10. Apague la sierra en **OFF**. Espere a que la hoja se detenga totalmente antes de retirar la pieza de trabajo.

Hacer un corte al hilo biselado

⚠ADVERTENCIA Asegúrese de que el ensamblaje de la protección de la hoja esté instalado y funcionando correctamente, a fin de evitar una posible lesión grave.

La guía de corte debe estar en el lado derecho de la hoja para evitar que se atore la madera y provoque un contragolpe. La colocación de la guía de corte en el lado izquierdo de la hoja resultará en un contragolpe y el riesgo de una lesión personal grave.

1. Extraiga la batería.
2. Retire el calibre de inglete.
3. Instale la mesa con canto biselado en la posición correcta para el corte que se está haciendo.
4. Ajuste el ángulo del bisel de la forma deseada.
5. Coloque la hoja en la profundidad correcta para la pieza de trabajo.
6. Posicione la guía de corte a la distancia deseada de la hoja para que el corte y el bloqueo se realicen en su lugar.
7. Al hacer un corte al hilo de una pieza de trabajo larga, coloque un soporte a la misma altura que la superficie de la mesa detrás de la sierra para el trabajo cortado.
8. Posicione la pieza de trabajo de forma plana sobre la mesa con el ras del borde contra la guía de corte.
9. Inserte la batería.
10. Asegúrese de que la madera no esté en la hoja antes de encender la sierra.
11. Encienda la sierra en **ON**. Permita que la sierra llegue a su máxima velocidad.
12. Sostenga la pieza de trabajo con firmeza contra la guía de corte y la mesa. **¡ADVERTENCIA! ¡Mantenga las manos al menos 76 mm (3") alejadas de la hoja en todo momento!** Si hace un corte al hilo de una pieza estrecha, use una barra de empuje o bloques de empuje para mover la pieza por el corte y más allá de la hoja. Tan pronto como la hoja haya hecho contacto con la pieza de trabajo, use la mano que esté más cerca de la guía de corte para guiarla. Asegúrese de que el borde de la pieza de trabajo permanezca en contacto sólido con la guía de corte y la superficie de la mesa. Si hace un corte al hilo de una pieza estrecha, use una barra de empuje o bloques de empuje para mover la pieza por el corte y más allá de la hoja.
13. Apague la sierra en **OFF**. Espere a que la hoja se detenga totalmente antes de retirar la pieza de trabajo.

Hacer un corte de inglete (bisel) compuesto

⚠ADVERTENCIA Asegúrese de que el ensamblaje de la protección de la hoja esté instalado y funcionando correctamente, a fin de evitar una posible lesión grave.

El calibre de inglete debe estar en el lado derecho de la hoja para evitar que se atore la madera y provoque un contragolpe. La colocación del calibre de inglete en el lado izquierdo de la hoja resultará en un contragolpe y el riesgo de una lesión personal grave.

1. Extraiga la batería.
2. Retire la guía de corte.

3. Ajuste el ángulo del bisel de la forma deseada.
4. Coloque la hoja en la profundidad correcta para la pieza de trabajo.
5. Coloque el calibre de inglete al ángulo deseado y apriete la manija de bloqueo.
6. Inserte la batería.
7. Asegúrese de que la madera no esté en la hoja antes de encender la sierra.
8. Encienda la sierra en **ON**. Permita que la sierra llegue a su máxima velocidad.
9. Sostenga la pieza de trabajo con firmeza con ambas manos en el calibre de inglete y alimente la pieza de trabajo en la hoja. **NOTA:** la mano más cercana a la hoja debe colocarse en la manija de bloqueo del calibre de inglete y la mano más alejada de la hoja debe colocarse en la pieza de trabajo.
10. Apague la sierra en **OFF**. Espere a que la hoja se detenga totalmente antes de retirar la pieza de trabajo.

Hacer un corte de panel largo

Asegúrese de que la sierra esté fijada correctamente a una superficie de trabajo para evitar que se caiga por el peso de un panel largo.

⚠ADVERTENCIA Asegúrese de que el ensamblaje de la protección de la hoja esté instalado y funcionando correctamente, a fin de evitar una posible lesión grave.

Nunca haga cortes a mano libre (cortes sin el calibre de inglete o guía de corte). Las piezas de trabajo sin guía pueden resultar en una lesión grave.

1. Extraiga la batería.
2. Coloque la hoja en la profundidad correcta para la pieza de trabajo.
3. Según la forma del panel, use la guía de corte o calibre de inglete. Si el panel es muy largo para usar la guía de corte o el calibre de inglete, es muy largo para esta sierra.
4. Coloque un soporte a la misma altura que la superficie de la mesa detrás de la sierra para el trabajo cortado. Agregue soportes a los lados según sea necesario.
5. Instale una mesa con canto biselado en la posición correcta para el corte que se está haciendo.
6. Asegúrese de que la madera no esté en la hoja antes de encender la sierra.
7. Encienda la sierra en **ON**. Permita que la sierra llegue a su máxima velocidad.
8. Use las posiciones de mano correctas para un corte transversal o corte al hilo, según sea necesario.
9. Apague la sierra en **OFF**. Espere a que la hoja se detenga totalmente antes de retirar la pieza de trabajo.

Hacer un corte no desbrozado

Los cortes no desbrozados pueden hacerse con la textura (corte al hilo) o sobre la textura (corte transversal). El uso de un corte no desbrozado es fundamental para cortar ranuras, machihembrados y cortes de bisel. Este es el único corte del tipo que se hace sin el cuchillo divisor con la protección de la hoja instalada. Use el cuchillo divisor sin la protección de la hoja. Asegúrese de que se vuelva a instalar la protección de la hoja al terminar este tipo de corte. Lea la sección apropiada que describe el tipo de corte, además de esta sección sobre los cortes no desbrozados o de bisel. Por ejemplo, si su corte no desbrozado es un corte al hilo, lea y comprenda la sección de cortes al hilo antes de continuar.

⚠ ADVERTENCIA Al hacer un corte no desbrozado, la hoja está cubierta por la pieza de trabajo durante la mayor parte del corte. Esté alerta de la hoja expuesta al inicio y al final de cada corte, a fin de reducir el riesgo de lesión personal.

Nunca alimente la madera con sus manos al hacer un corte no desbrozado como machihembrados o cortes de bisel. Para evitar una lesión personal, siempre use los bloques de empuje, barras de empuje y mesas con canto biselado.

No haga cortes no desbrozados complejos, como cortes por penetración, cortes con sierra de banda, cortes con cabeza para moldear o cortes para hacer ranuras.

1. Extraiga la batería.
2. Retire el cuchillo divisor con la protección de la hoja y trinquetes que evitan contragolpes.
3. Instale el cuchillo divisor.
4. Ajuste el ángulo del bisel a 0°.
5. Coloque la hoja en la profundidad correcta para la pieza de trabajo.
6. Según la forma y el tamaño de la pieza de trabajo, use la guía de corte o calibre de inglete.
7. Instale una mesa con canto biselado en la posición correcta para el corte que se está haciendo.
8. Inserte la batería.
9. Asegúrese de que la madera no esté en la hoja antes de encender la sierra.
10. Encienda la sierra en **ON**. Permita que la sierra llegue a su máxima velocidad.
11. Use una barra de empuje o bloques de empuje para mover la pieza en el corte.
12. Apague la sierra en **OFF**. Espere a que la hoja se detenga totalmente antes de retirar la pieza de trabajo.
13. Una vez que estén terminados los cortes no desbrozados, retire la batería, y vuelva a instalar el cuchillo divisor con protector y los trinquetes que evitan contragolpes.

Hacer un corte de bisel

⚠ ADVERTENCIA Las hojas están afiladas. Use guantes de trabajo al manejar las hojas.

Siempre retire el cuchillo divisor antes de hacer un corte de bisel.

Se necesita una placa de garganta de bisel opcional para este procedimiento (para conocer una lista completa de accesorios, visite www.milwaukeeetool.com o contacte a un distribuidor). Todos los juegos de hojas y cortes de bisel no deben estar clasificados a una velocidad menor que la velocidad de esta herramienta. Esta sierra está diseñada para usarse con un bisel apilado de 152 mm (6") (hasta un ancho de 19 (3/4")). No use cortadores de bisel o para moldear ajustables en esta sierra.



⚠ ADVERTENCIA Al hacer un corte no desbrozado, la hoja está cubierta por la pieza de trabajo durante la mayor parte del corte. Esté alerta de la hoja expuesta al inicio y al final de cada corte, a fin de reducir el riesgo de lesión personal.

Para evitar una lesión personal, siempre use los bloques de empuje, barras de empuje y mesas con canto biselado.

1. Extraiga la batería.
2. Retire el cuchillo divisor con la protección de la hoja y trinquetes que evitan contragolpes.
3. Retire la hoja estándar e instale la hoja de bisel, de acuerdo con las instrucciones del fabricante, usando la hoja y astilladores correctos para el ancho deseado del corte. **NOTA:** siempre guarde la placa de garganta, hoja, brida y perno en un lugar seguro.
4. Instale la placa de garganta del bisel y gire la hoja a mano para asegurarse de que gire libremente, luego descienda la hoja.
5. Según la forma y el tamaño de la pieza de trabajo, use la guía de corte o calibre de inglete.
6. Instale una mesa con canto biselado en la posición correcta para el corte que se está haciendo.
7. Inserte la batería.
8. Asegúrese de que la madera no esté en la hoja antes de encender la sierra.
9. Encienda la sierra en **ON**. Permita que la sierra llegue a su máxima velocidad.
10. Use una barra de empuje o bloques de empuje para mover la pieza en el corte.
11. Apague la sierra en **OFF**. Espere a que la hoja se detenga totalmente antes de retirar la pieza de trabajo.
12. Una vez que estén terminados los cortes no desbrozados, retire la batería, y vuelva a instalar la hoja estándar, placa de garganta, cuchillo divisor con protector y los trinquetes que evitan contragolpes.

Resolución de problemas

Problema	Causa	Solución
Vibración excesiva.	La hoja está fuera de equilibrio.	Reemplace la hoja.
	La hoja está dañada.	Reemplace la hoja.
	La hoja no está montada fijamente.	Apriete todos los accesorios.
	La superficie de trabajo no es uniforme.	Vuelva a posicionar en una superficie plana. Ajuste las patas de la base opcional.
La hoja está deforme.		Revise la instalación de la hoja de sierra. Reemplace la hoja si es necesario.
La guía de corte no se mueve de manera uniforme.	La guía de corte no está montada correctamente.	Vuelva a montar la guía de corte.
	Los rieles están sucios o pegajosos.	Limpie los rieles.

MANTENIMIENTO

<p>El corte atasca o quema el trabajo</p>	<p>La hoja no tiene filo.</p> <p>La hoja está en escora.</p> <p>El trabajo se está alimentando muy rápido.</p> <p>La guía de corte no está bien alineada.</p> <p>La madera está deforme.</p> <p>El cuchillo divisor está fuera de alineación</p>	<p>Reemplace o afile la hoja.</p> <p>Consulte el <i>Ajuste para la hoja a la ranura de inglete (escora)</i>.</p> <p>Haga más lenta la alimentación.</p> <p>Alinee la guía de corte.</p> <p>Reemplace la madera. Siempre corte con el lado convexo hacia la superficie de la mesa.</p> <p>Consulte el <i>Ajuste del cuchillo divisor a la hoja de la sierra</i>.</p>
<p>La madera se aleja de la guía de corte hacia el borde al hacer un corte al hilo.</p>	<p>La hoja no está afilada o puesta correctamente.</p>	<p>Vuelva a afilar o a colocar la hoja.</p>
<p>La sierra no hace cortes precisos de 90° o 45°.</p>	<p>El ajuste del bisel está fuera de alineación.</p>	<p>Consulte <i>Ajustes del bisel a 0° y 45°</i>.</p>
<p>Se dificulta girar la rueda manual para ajustar la altura.</p>	<p>Los engranes o el poste roscado dentro del gabinete están tapados con aserrín.</p>	<p>Limpie los engranes o poste roscado.</p>
<p>La sierra no enciende.</p>	<p>La batería está a punto de descargarse.</p> <p>Los contactos de la batería están sucios.</p>	<p>Cargue la batería.</p> <p>Limpie los contactos de la batería.</p>
<p>La hoja hace cortes deficientes.</p>	<p>La hoja no tiene filo o está sucia.</p> <p>La hoja no es del tipo correcto para el corte que debe hacerse.</p> <p>La hoja está montada hacia atrás.</p>	<p>Limpie, afile o reemplace la hoja.</p> <p>Reemplace con el tipo correcto.</p> <p>Vuelva a montar la hoja.</p>
<p>El motor se fuerza en el corte al hilo.</p>	<p>La hoja no es la correcta para un corte al hilo.</p> <p>El trabajo se está alimentando muy rápido a la hoja.</p>	<p>Cambie la hoja; la hoja para el corte al hilo generalmente tiene menos dientes.</p> <p>Haga más lenta la alimentación.</p>
<p>La sierra se apaga inesperadamente.</p>	<p>Temperatura excesiva de la batería.</p>	<p>Deje que la batería se enfríe durante 10 minutos antes de usarla.</p>

⚠ ADVERTENCIA Para reducir el riesgo de una lesión, desconecte siempre la herramienta antes de darle cualquier mantenimiento. Nunca desarme la herramienta ni trate de hacer modificaciones en el sistema eléctrico de la misma. Acuda siempre a un Centro de Servicio MILWAUKEE para TODAS las reparaciones.

Mantenimiento de las herramientas

Adopte un programa regular de mantenimiento y mantenga su herramienta en buenas condiciones. Inspeccione la herramienta para problemas como ruidos indebidos, desalineadas o agarrotadas de partes móviles, piezas rotas o cualquier otra condición que pueda afectar el funcionamiento de la herramienta. Envíe su herramienta al Centro de Servicio MILWAUKEE para reparación. Después de 6 meses a un año, dependiendo del uso dado, envíe su herramienta al Centro de Servicio MILWAUKEE más cercano para la inspección. Si la herramienta no arranca u opera a toda su potencia con una batería completamente cargada, limpie, con una goma o borrador, los contactos de la batería y de la herramienta. Si aun así la herramienta no trabaja correctamente, regrésela, con el cargador y la batería, a un centro de servicio MILWAUKEE.

⚠ WARNING A fin de reducir el riesgo de lesión del contragolpe, revise que haya una alineación adecuada cuando la herramienta se haya almacenado, se haya caído o golpeado, o usado extensivamente. Una herramienta fuera de alineación producirá un amarre y podría resultar en una lesión personal grave.

Siga este orden al hacer los ajustes:

1. Ajuste de la placa de garganta
2. Ajustes del ángulo de la hoja (bisel) a 0° y 45°
3. Ajuste para la hoja a la ranura de inglete
4. Ajuste de la hoja a la guía
5. Ajuste del cuchillo divisor a la hoja de la sierra

⚠ WARNING Para reducir el riesgo de lesión, siempre retire las baterías antes de realizar algún servicio o ajustes.

1. Ajustar la placa de garganta

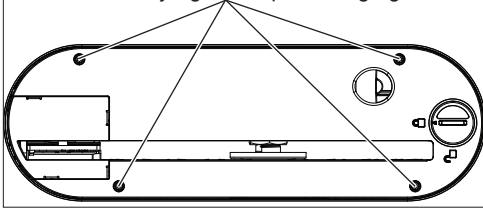
⚠ WARNING Siempre use la placa de garganta correcta para la operación. Diferentes hojas pueden requerir diferentes placas de garganta. Nunca opere la sierra sin una placa de garganta en su lugar.

Una placa de garganta ajustada es importante para tener un corte uniforme. La parte *frontal* de la placa de garganta debe estar ligeramente más abajo o al ras de la superficie de la mesa. La parte trasera de la placa de garganta debe estar ligeramente más arriba de la superficie de la mesa (0,69 mm (0 a 0,27")). Revise la placa de garganta cada vez que esta sea cambiada y frecuentemente antes de usarse.

Si la placa no está ajustada correctamente:

1. Extraiga la batería.
2. Retire el cuchillo divisor con protector.
3. Baje la hoja girando la altura, ajustando el volante de mano hacia la izquierda.
4. Use tornillos del juego de la placa de garganta (2,5 mm) para ajustar las alturas frontales y traseras.
5. Vuelva a medir y repita hasta que la placa de garganta esté ajustada correctamente.

Tornillos del juego de la placa de garganta



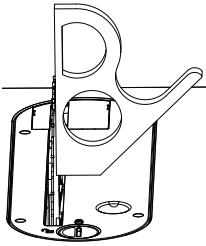
2. Ajuste del ángulo de la hoja (bisel) a 0° y 45°

Las regulaciones del ángulo de la sierra se han hecho desde fábrica y, a menos que se haya dañado en el envío, no debe requerir que se regulen durante el ensamblado. Después del uso extensivo, deben volver a revisarse y ajustarse, de ser necesario.

1. Extraiga la batería.
2. Fije el ángulo de la hoja a 0° y asegúrela en su lugar.
3. Levante la hoja girando la altura, ajustando el volante de mano hacia la derecha.
4. Retire el cuchillo divisor.

Para revisar que esté a 0°:

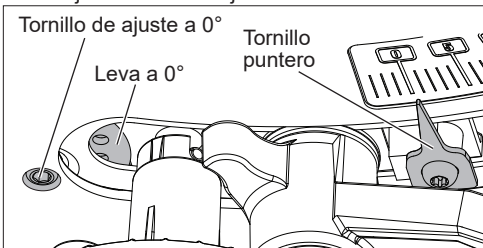
5. Coloque una escuadra combinada junto a la hoja a la derecha. El borde de la escuadra y la hoja de la sierra deben ser paralelos. **NOTA:** asegúrese de que la escuadra haga contacto con la parte plana de la hoja de la sierra, no los dientes de la hoja.
6. Si la hoja y la escuadra no son paralelas:
 - Desbloquee la palanca para bloquear el bisel.
 - Afloje el tornillo de ajuste de 0°.



Tornillo de ajuste a 0°

Leva a 0°

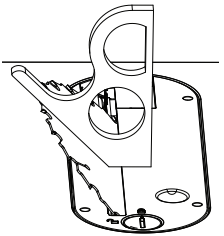
Tornillo puntero



- Ajuste la hoja a la posición de 0°.
 - Bloquee la palanca para bloquear el bisel.
 - Gire la leva hasta que haga contacto con el bisel.
 - Apriete el tornillo de ajuste. Revise de nuevo que esté cuadrado y siga ajustando, de ser necesario.
7. Una vez que esté cuadrado, afloje el tornillo puntero y ajuste el puntero a 0°.

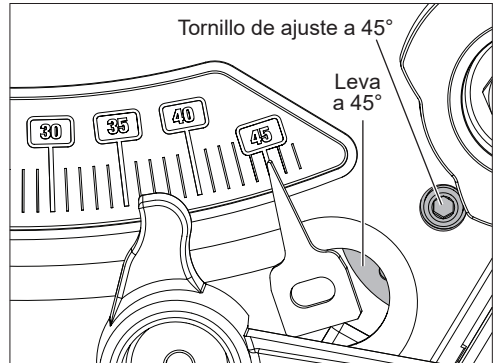
Para revisar que esté a 45°:

8. Fije el ángulo de la hoja a 45° y asegúrela en su lugar.
9. Coloque una escuadra combinada junto a la hoja a la derecha usando el lado de 45°. El borde del lado de 45° de la escuadra y la hoja de la sierra deben ser paralelos. **NOTA:** asegúrese de que la escuadra haga contacto con la parte plana de la hoja de la sierra, no los dientes de la hoja.
10. Si la hoja y la escuadra no son paralelas:
 - Desbloquee la palanca para bloquear el bisel.
 - Afloje el tornillo de ajuste de 45°.



Tornillo de ajuste a 45°

Leva a 45°

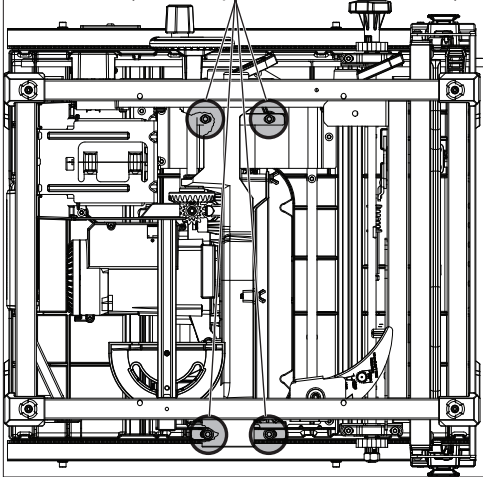


- Ajuste la hoja a la posición de 45°.
 - Bloquee la palanca para bloquear el bisel.
 - Gire la leva hasta que haga contacto con el bisel.
 - Apriete el tornillo de ajuste. Revise de nuevo que esté cuadrado y siga ajustando, de ser necesario.
11. Haga un corte de prueba a 0° y 45° para revisar que esté bien.

3. Ajuste para la hoja a la ranura de inglete (escora)

1. Extraiga la batería.
2. Fije el ángulo de la hoja (bisel) a 0° y asegúrela en su lugar.
3. Levante la hoja girando la altura, ajustando el volante de mano hacia la derecha.
4. Mida desde la parte frontal de la hoja a la ranura del inglete y la parte trasera de la hoja a la ranura del inglete. Deben ser iguales.
5. Si la hoja no está perpendicular a la ranura del inglete, afloje los tornillos de ajuste de la hoja frontal o trasera (hexagonales de 4 mm) ubicados en la parte inferior de la sierra.

Tornillos de ajuste de hoja
(desde la parte inferior de la sierra)



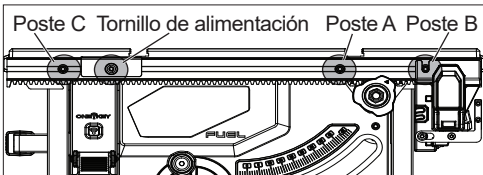
6. Deslice el compartimento de la hoja hacia la izquierda o derecha, y apriete los tornillos de ajuste de la hoja.
7. Vuelva a revisar la hoja frontal y trasera para ver las medidas de la ranura.
8. Repita hasta que la hoja sea perpendicular con la ranura del inglete.

4. Ajuste de la hoja a la guía

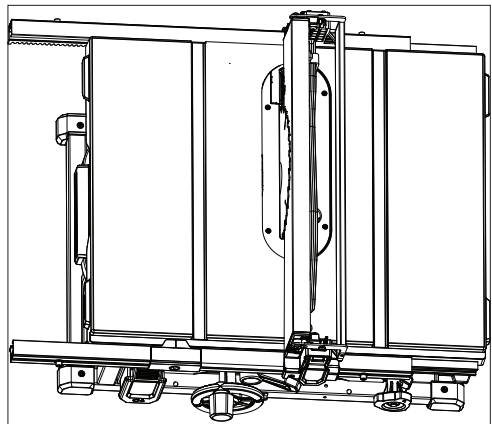
La guía de corte debe ser paralela a la hoja de la sierra y las ranuras del calibre de inglete.

⚠ ADVERTENCIA Una guía de corte mal alineada puede provocar contragolpes y atasques. Para reducir el riesgo de lesión, siempre mantenga una alineación correcta de la guía de corte.

1. Extraiga la batería.
2. Fije el ángulo de la hoja (bisel) a 0° y asegúrela en su lugar.
3. Levante la hoja girando la altura, ajustando el volante de mano hacia la derecha.
4. Retire el cuchillo divisor con protector.
5. Bloquee la guía en el Poste A.



6. Deslice la guía para que toque la hoja y bloquee la palanca de bloqueo de la guía.

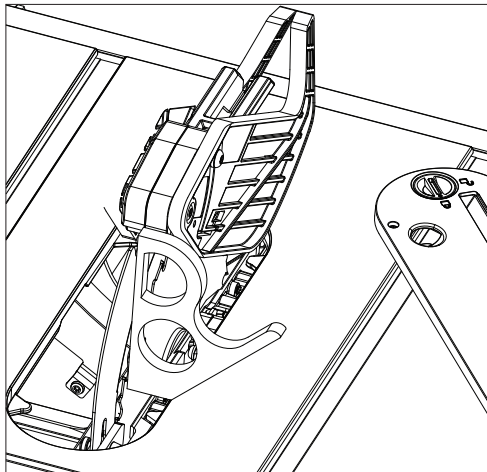


7. La hoja debe hacer contacto con la guía de manera uniforme, de la parte frontal hacia atrás.
8. De no ser así, use una llave hexagonal de 4 mm para aflojar el poste de la guía adecuado (frontal o trasero). Deslice el poste hacia la izquierda o derecha, según sea necesario, y apriete bien.
9. Repita el paso hasta que la guía toque la hoja de manera uniforme.
10. Para ajustar el indicador de la escala de corte al hilo a cero, use una llave hexagonal de 4 mm para aflojar el perno y deslice el indicador para alinear con cero en la cinta plateada. Vuelva a apretar el perno.
11. Bloquee la guía en el Poste B.
12. Mida desde la parte frontal de la hoja a la guía y la parte trasera de la hoja a la guía. Ambos deben medir 102 mm (4").
13. De no ser así, use una llave hexagonal de 4 mm para aflojar el poste de la guía adecuado (frontal o trasero). Deslice el poste hacia la izquierda o derecha, según sea necesario, y apriete bien.
14. Repita hasta que la guía mida 102 mm (4") desde la parte frontal de la hoja a la guía y la parte trasera de la hoja a la guía. La guía debe alojarse completamente en el riel de la guía con el colgante por el borde del riel de la guía.
15. Bloquee la guía en el Poste C.
16. Deslice la guía para que toque la hoja y bloquee la palanca de bloqueo de la guía.
17. La hoja debe hacer contacto con la guía de manera uniforme, de la parte frontal hacia atrás.
18. De no ser así, use una llave hexagonal de 4 mm para aflojar el poste de la guía adecuado (frontal o trasero). Deslice el poste hacia la izquierda o derecha, según sea necesario, y apriete bien.
19. Repita el paso hasta que la guía toque la hoja de manera uniforme. La guía debe alojarse completamente en el riel de la guía con el colgante por el borde del riel de la guía.
20. Haga dos o tres cortes de prueba en madera sobrante desde cada lugar de la guía. Si los cortes no son adecuados, repita el proceso.

5. Ajuste del cuchillo divisor a la hoja de la sierra

Para revisar la alineación del cuchillo divisor:

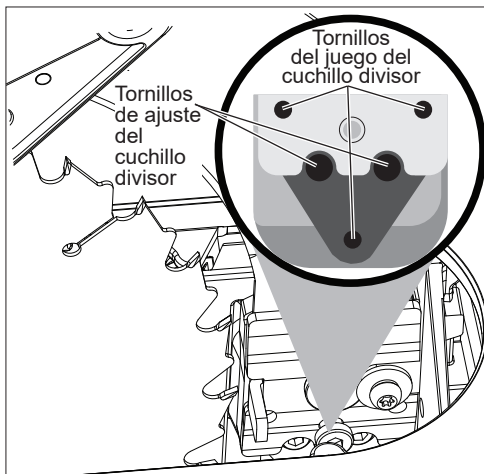
1. Extraiga la batería.
2. Levante la hoja girando la altura, ajustando el volante de mano hacia la derecha.
3. Retire los trinquetes que evitan contragolpes del cuchillo divisor con protección de la hoja.
4. Retire la cuchilla abridora y colóquela en posición plana sobre la mesa. La cuchilla abridora debe estar plana y no punta cuando se toca un borde. Si la cuchilla abridora no está plana, reemplace la cuchilla abridora antes de usar la sierra.
5. Coloque una escuadra triangular de acero o borde recto contra el cuchillo divisor sobre la hoja de la sierra. La hoja de la sierra y el cuchillo divisor están alineados cuando la escuadra triangular de acero hace contacto con el cuchillo divisor en AMBOS lados, sin hacer contacto con la hoja. Debe haber un hueco muy delgado entre la escuadra y la hoja. La escuadra **no** debe hacer contacto con los dientes de la hoja.



Si el cuchillo divisor no está alineado con la hoja de la sierra, debe hacerse un ajuste. El cuchillo divisor debe estar alineado de la parte frontal hacia la trasera (horizontalmente) y de arriba hacia abajo (verticalmente).

Para ajustar:

1. Extraiga la batería.
2. Retire la placa de garganta.
3. Instale la hoja.
4. Instale el cuchillo divisor o el cuchillo divisor con protector. **NOTA:** vuelva a revisar y ajuste para cada cambio en el cuchillo divisor u hoja.
5. Afloje los tornillos de ajuste del cuchillo divisor (hexagonales de 4 mm).



6. Apriete o afloje los 3 tornillos del juego del cuchillo divisor (hexagonales de 2,5 mm, según sea necesario).
7. Apriete los tornillos de ajuste del cuchillo divisor.
8. Vuelva a revisar ambos lados de la hoja/cuchillo divisor.
9. Repita hasta que el cuchillo divisor esté ajustado correctamente a la hoja.
10. Una vez ajustado, retire el cuchillo divisor, vuelva a instalar la placa de garganta, luego vuelva a instalar el cuchillo divisor y los trinquetes que evitan contragolpes (si es apropiado para la

ONE-KEY™

⚠ ADVERTENCIA Riesgo de quemadura química.

Este dispositivo contiene una batería de botón/tipo moneda de litio. Una batería nueva o usada puede causar quemaduras internas graves y causar la muerte tan solo en 2 horas si se ingiere o entra al cuerpo. Siempre asegure la cubierta de la batería. Si no se cierra con firmeza, deje de usar el dispositivo, retire las baterías y manténgala alejada de los niños. Si cree que las baterías pudieron ser ingeridas o entraron al cuerpo, busque atención médica de inmediato.



Internal Battery

Se usa una batería interna para facilitar toda la funcionalidad de ONE-KEY™. Voltee la sierra para acceder a la puerta de la batería.

To replace the battery:

- 1 Para reemplazar la batería:
 1. Retire el paquete de baterías.
 2. Retire el tornillo y abra la tapa de la batería.
 3. Saque el panel de las baterías y retire la batería vieja. Mantenga fuera del alcance de los niños y deseche correctamente.
 4. Inserte la nueva batería (3V CR2032), con el lado positivo hacia arriba.
 5. Cierre la tapa de la batería y atornille con firmeza.

⚠ ADVERTENCIA Para reducir el riesgo de lesiones, descarga eléctrica o daño a la herramienta, nunca la sumerja en líquidos ni permita que estos fluyan dentro de la misma.

Limpieza

Limpie el polvo y suciedad de las ventilas. Mantenga los mangos limpios, secos y libres de aceite o grasa. Use solo jabón neutro y un trapo húmedo para limpiar, ya que algunos solventes y solventes limpiadores son dañinos a los plásticos y partes aislantes. Algunos de estos incluyen: gasolina, turpentina, thinner, lacas, thinner para pinturas, solventes para limpieza con cloro, amoníaco y detergentes caseros que tengan amonía. Nunca usa solventes inflamables o combustibles cerca de una herramienta.

Reparaciones

Si su herramienta, batería o cargador están dañados, envíela al centro de servicio más cercano.

ACCESORIOS

⚠️ ADVERTENCIA Utilice sólo los accesorios específicamente recomendados. Otros accesorios puede ser peligroso.

Para una lista completa de accesorios, visite nuestro sitio en Internet: www.milwaukeetool.com o póngase en contacto con un distribuidor.

SOPORTE DE SERVICIO - MEXICO

CENTRO DE ATENCION A CLIENTES

Techtronic Industries Mexico, S.A. de C.V.

Av. Presidente Masarik 29 Piso 7

11560 Polanco V Seccion

Miguel Hidalgo, Distrito Federal, México

01 (800) 030-7777 o (55) 4160-3540

Lunes a Viernes (9am a 6pm)

O contáctanos en www.milwaukeetool.com.mx

GARANTÍA LIMITADA - E.U.A. Y CANADÁ

Cada herramienta eléctrica* de MILWAUKEE (ver excepciones a continuación) está garantizada para el comprador original únicamente de que no tenga material y mano de obra defectuosos. Sujeto a ciertas excepciones, MILWAUKEE reparará o reemplazará cualquier parte en una herramienta eléctrica que tenga defectos de material o mano de obra según lo determine MILWAUKEE mediante una revisión, por un periodo de cinco (5) años** después de la fecha de compra a menos que se indique lo contrario. Al devolver la herramienta eléctrica a un Centro de Servicio de la fábrica de MILWAUKEE o a una Estación de Servicio Autorizada de MILWAUKEE, se requiere que el flete esté pagado por adelantado y asegurado. Se debe incluir una copia del comprobante de compra con el producto devuelto. Esta garantía no aplica a daños que MILWAUKEE determine que son ocasionados por reparaciones o intentos de reparaciones realizados por una persona que no sea personal autorizado de MILWAUKEE, uso indebido, alteraciones, maltrato, desgaste normal, falta de mantenimiento o accidentes.

Desgaste normal: Muchas herramientas eléctricas necesitan un reemplazo periódico de partes y servicio para lograr el mejor desempeño. Esta garantía no cubre la reparación cuando el uso normal ha agotado la vida de una parte, incluyendo sin limitar a mandriles, cepillos, cables, zapatas de la sierra, abrazaderas de la hoja, anillos en O, sellos, protectores, hojas de desatornilladores, pistones, herrajes, levantadores y arandelas de cubierta de los protectores.

*Esta garantía no cubre clavadoras y grapadoras neumáticas, pistola de pintura a presión, baterías inalámbricas, generadores de energía portátil de gasolina, herramientas de mano, palanca y cadena de mano de polipasto - eléctricas, instrumentaria calefata M12™, producto reacondicionado y productos de prueba y medición. Existen garantías por separado y distintas disponibles para estos productos.

**El periodo de garantía para los radios para obra, puerto de energía M12™, fuente de poder M18™, ventiladores para obra y carretillas de trabajo industrial Trade Titan™ es de un (1) año a partir de la fecha de compra. El periodo de garantía para los Cables de limpieza de drenaje es de dos (2) años a partir de la fecha de compra. El periodo de garantía de la Pistola de calor compacta M18™ de la Extractor de polvo de 8 galones es de tres (3) años a partir de la fecha de compra. El periodo de garantía de las lámparas de LED en la Lámpara de trabajo LED y el Bulbo mejorado de LED para la Luz de trabajo es por la vida del producto sujeto a las limitaciones anteriores. Si durante el uso normal el LED o Bulbo de LED falla, la parte será reemplazada sin cargo.

No se requiere el registro de la garantía para obtener la garantía correspondiente a un producto de herramienta eléctrica de MILWAUKEE. La fecha de manufactura del producto se utilizará para determinar el periodo de garantía si no se proporciona comprobante de compra al solicitar el servicio en garantía.

LA ACEPTACIÓN DE LOS REMEDIOS EXCLUSIVOS DE REPARACIÓN Y REEMPLAZO AQUÍ DESCRITOS ES UNA CONDICIÓN DEL CONTRATO PARA LA COMPRA DE TODO PRODUCTO DE MILWAUKEE. SI USTED NO ACEPTA ESTA CONDICIÓN, NO DEBE COMPRAR EL PRODUCTO. MILWAUKEE NO SERÁ RESPONSABLE EN NINGÚN CASO DE DAÑOS INCIDENTALES, ESPECIALES, EMERGENTES O PUNITIVOS NI DE NINGÚN COSTO, HONORARIOS LEGALES, GASTOS, PÉRDIDAS O DEMORAS ALEGADAS COMO CONSECUENCIA DE ALGÚN DAÑO, FALLA O DEFECTO EN NINGÚN PRODUCTO, INCLUYENDO, ENTRE OTROS, RECLAMACIONES POR PERDIDA DE UTILIDADES. ALGUNOS ESTADOS NO PERMITEN LA EXCLUSIÓN O LIMITACIÓN DE RESPONSABILIDAD POR DAÑOS INCIDENTALES O EMERGENTES, POR LO QUE LA ANTERIOR LIMITACIÓN O EXCLUSIÓN PODRÍA NO APLICARSE EN SU CASO. ESTA GARANTÍA ES EXCLUSIVA Y REEMPLAZA TODAS LAS DEMÁS GARANTÍAS EXPRESAS, ESCRITAS U ORALES. EN LA MEDIDA EN QUE LO PERMITA LA LEY, MILWAUKEE DESCONOCE CUALQUIER GARANTÍA IMPLÍCITA, INCLUYENDO SIN LIMITACIÓN CUALQUIER GARANTÍA IMPLÍCITA DE COMERCIABILIDAD O IDEONEIDAD PARA UN FIN O USO ESPECÍFICO; EN LA MEDIDA EN QUE DICHO DESCONOCIMIENTO NO SEA PERMITIDO POR LA LEY, DICHA GARANTÍAS IMPLÍCITAS SE LIMITAN A LA DURACIÓN DE LA GARANTÍA EXPRESA CORRESPONDIENTE SEGÚN SE DESCRIBIÓ ANTERIORMENTE. ALGUNOS ESTADOS NO PERMITEN LIMITACIONES SOBRE LA DURACIÓN DE UNA GARANTÍA IMPLÍCITA, POR LO QUE LA ANTERIOR LIMITACIÓN PUDIERA NO APLICARSE A USTED. ESTA GARANTÍA LE DA DERECHOS LEGALES ESPECÍFICOS Y USTED PODRÍA ADEMÁS TENER OTROS DERECHOS QUE VARIAN DE UN ESTADO A OTRO. Esta garantía aplica al producto vendido en los Estados Unidos y Canadá únicamente.

Consulte la "Búsqueda de centro de servicio" en la sección de Partes y servicio del sitio web de MILWAUKEE en www.milwaukeetool.com o llame al 1.800.SAWDUST (1.800.729.3878) para localizar su centro de servicio más cercano para darle servicio con y sin garantía a una herramienta eléctrica de Milwaukee.

PÓLIZA DE GARANTÍA - VALIDA SOLO PARA MEXICO, AMÉRICA CENTRAL Y EL CARIBE

La garantía de TECHTRONIC INDUSTRIES es por 5 años a partir de la fecha original de compra.

Esta tarjeta de garantía cubre cualquier defecto de material y mano de obra en ese Producto.

Para hacer válida esta garantía, presente esta tarjeta de garantía, cerrada/sellada por el distribuidor o la tienda donde compró el producto, al Centro de Servicio Autorizado (ASC). O, si esta tarjeta no se ha cerrado/sellado, presente la prueba original de compra a ASC. Llame gratis al 01 (800) 030-7777 para encontrar el ASC más cercano, para servicio, partes, accesorios o componentes.

Procedimiento para hacer válida esta garantía

Lleve el producto a ASC, junto con la tarjeta de garantía cerrada/sellada por el distribuidor o la tienda donde compró el producto, y cualquier pieza o componente defectuoso se reemplazará sin costo para usted. Cubriremos todos los costos de flete con relación a este proceso de garantía

Excepciones

Esta garantía no tendrá validez en las siguientes situaciones:

- Cuando el producto se use de manera distinta a la que indica el manual del usuario final o de instrucciones.
- Cuando las condiciones de uso no sean normales.
- Cuando otras personas no autorizadas por TECHTRONIC INDUSTRIES modifiquen o reparen el producto.

Nota: si el juego de cables está dañado, tiene que reemplazarse en un Centro de Servicio Autorizado para evitar riesgos eléctricos.

CENTRO DE SERVICIO Y ATENCIÓN

Llame al 01 (800) 030-7777

IMPORTADO Y COMERCIALIZADO POR
TECHTRONIC INDUSTRIES, MÉXICO, SA DE CV
Av. President Masarik #29 piso 7, Col. Polanco V Sección
CP 11560, Deleg. Miguel Hidalgo, CDMX

Modelo: _____

Fecha de Compra: _____

Sello del Distribuidor: _____

MILWAUKEE TOOL
13135 West Lisbon Road
Brookfield, WI 53005 USA

58140089d2
03/18

0893000101Q-02(A)
Printed in China