



SERVICE PARTS LIST

BULLETIN NO.
54-38-2605

SPECIFY CATALOG NO. AND SERIAL NO. WHEN ORDERING PARTS		REVISED BULLETIN	DATE
M18™ FUEL BELT SANDER			Mar. 2022
CATALOG NO. 2832-20	STARTING SERIAL NO. M46A	WIRING INSTRUCTION See Page 3	

EXAMPLE:
00 0 Component Parts (Small #) Are Included
When Ordering The Assembly (Large #).

NOTE
Regarding parts to receive thread locking sealant:
Place one to two drops of 277 Loctite®
thread locking sealant (or the equivalent) to the
threads of parts shown prior to installation.

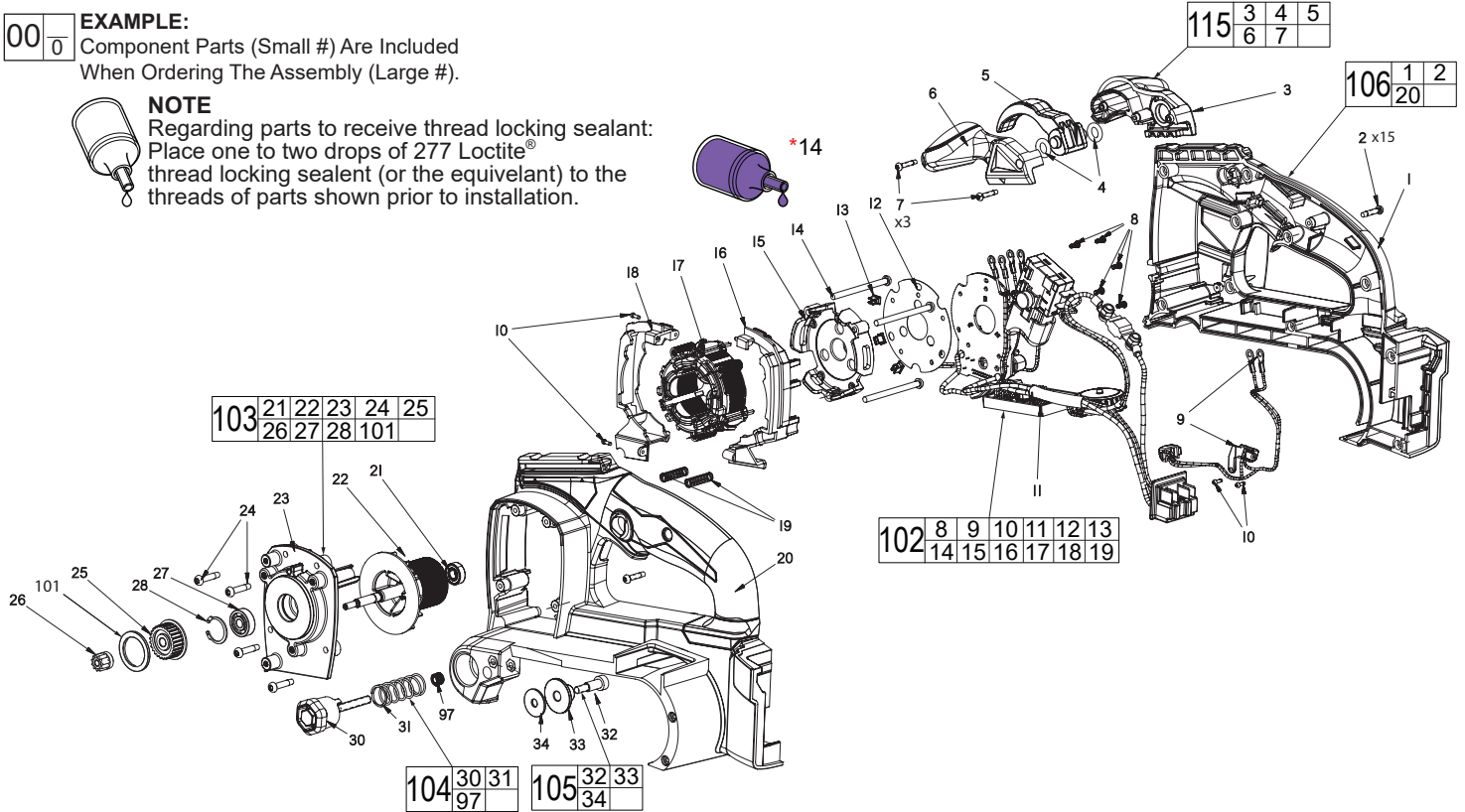


FIG.	PART NO.	DESCRIPTION OF PART	NO. REQ.
1	-----	Right Handle	(1)
2	06-82-2368	M3.5 x 1.27 PH T10 Screw	(11)
3	-----	Right Pommel	(1)
4	34-40-0248	O-Ring	(2)
5	-----	Pommel Level	(1)
6	-----	Pommel Handle	(1)
7	06-82-6351	M3 x 1.058 PH T10 Screw	(3)
8	05-88-0080	M2.5 x 0.45 PH Torx Tamper Screw	(5)
9	-----	LED Light Assembly	(1)
10	06-82-0047	M2.0 x 0.4 PH Phillips Taptite Screw	(4)
11	-----	PCBA	(1)
12	-----	Silicon Pad	(1)
13	-----	Silicon Isolator	(3)
14	05-78-0012	M4 x 0.7 PH T20 Mach. Screw	(3)
15	-----	Heatshrink	(1)
16	-----	Left Baffle	(1)
17	-----	Stator	(1)
18	-----	Right Baffle	(1)
19	40-50-0527	LED Connector Spring	(2)
20	-----	Left Handle	(1)
21	-----	Bearing	(1)
22	-----	Rotor	(1)
23	-----	Motor Mount Plate	(1)
24	06-82-0171	M4 x 1.411 PH T20 Screw	(4)
25	-----	Fan Pulley	(1)
26	-----	Motor Pinion	(1)
27	-----	Ball Bearing	(1)
28	-----	C-Ring	(1)
30	42-32-0076	Tracking Bolt	(1)
31	-----	Tracking Knob Spring	(1)
32	05-81-0081	M5 x 0.8 Hexagon Socket Mach Screw	(1)
33	-----	Tracking Roller	(1)
34	45-88-0376	Stamping Washer	(1)
97	05-55-0089	M5 x 0.8 Nylon Nut	(1)
101	-----	Right Flange	(2)

FIG.	PART NO.	DESCRIPTION OF PART	NO. REQ.
102	14-20-0209	Belt Sander Electronics	(1)
103	16-01-0029	Belt Sander Rotor Sub-Assembly	(1)
104	43-98-0033	Tracking Knob and Screw	(1)
105	30-75-0074	Tracking Roller and Hardware	(1)
106	31-44-0264	Belt Sander Handles	(1)
115	31-44-0198	Belt Sander Pommel Kit	(1)

SCREW TORQUE SPECIFICATIONS				
FIG.	PART NO.	WHERE USED	SEAT TORQUE	
			(KG/CM)	(IN/LBS)
2	06-82-2368	Right Handle	9-11	8-9
7	06-82-6351	Pommel Handle	7-9	6-8
7	06-82-6351	Fan Housing	5-7	4-6
8	05-88-0080	PCBA	3-4	2-3
10	06-82-0047	Right Handle	1-1.5	0.8-1.3
14	05-78-0012	Stator	16-20	14-17
24	06-82-0171	Motor Mount Plate	20-24	17-21
30	-----	Tracking Knob	14-16	12-14
32	05-81-0081	Tracking Roller	20-24	17-21
35	05-86-0200	Frame, Gearbox	20-24	17-21
49	05-74-0740	Drive Shaft	16-20	14-17
51	05-74-0403	Drive Belt Cover	7-9	6-8
58	05-81-0015	Fan Housing	2-4	1-3
58	05-81-0015	Fan Ball Bearing	9-11	8-9
65	06-75-1275	Drive Roller Assembly	16-20	14-17
69	05-81-0086	Fan Drive Pulley	16-20	14-17
81	05-81-0076	Platen	4-6	3-5
89	05-81-1221	Drive Belt Cover	9-12	8-10
95	05-81-0088	Fan Housing	3-5	2-4
99	05-81-0089	Platen	4-6	3-5



NOTE

Regarding parts to receive thread locking sealant:
Place one to two drops of 277 Loctite®
thread locking sealent (or the equivalent) to the
threads of parts shown prior to installation.

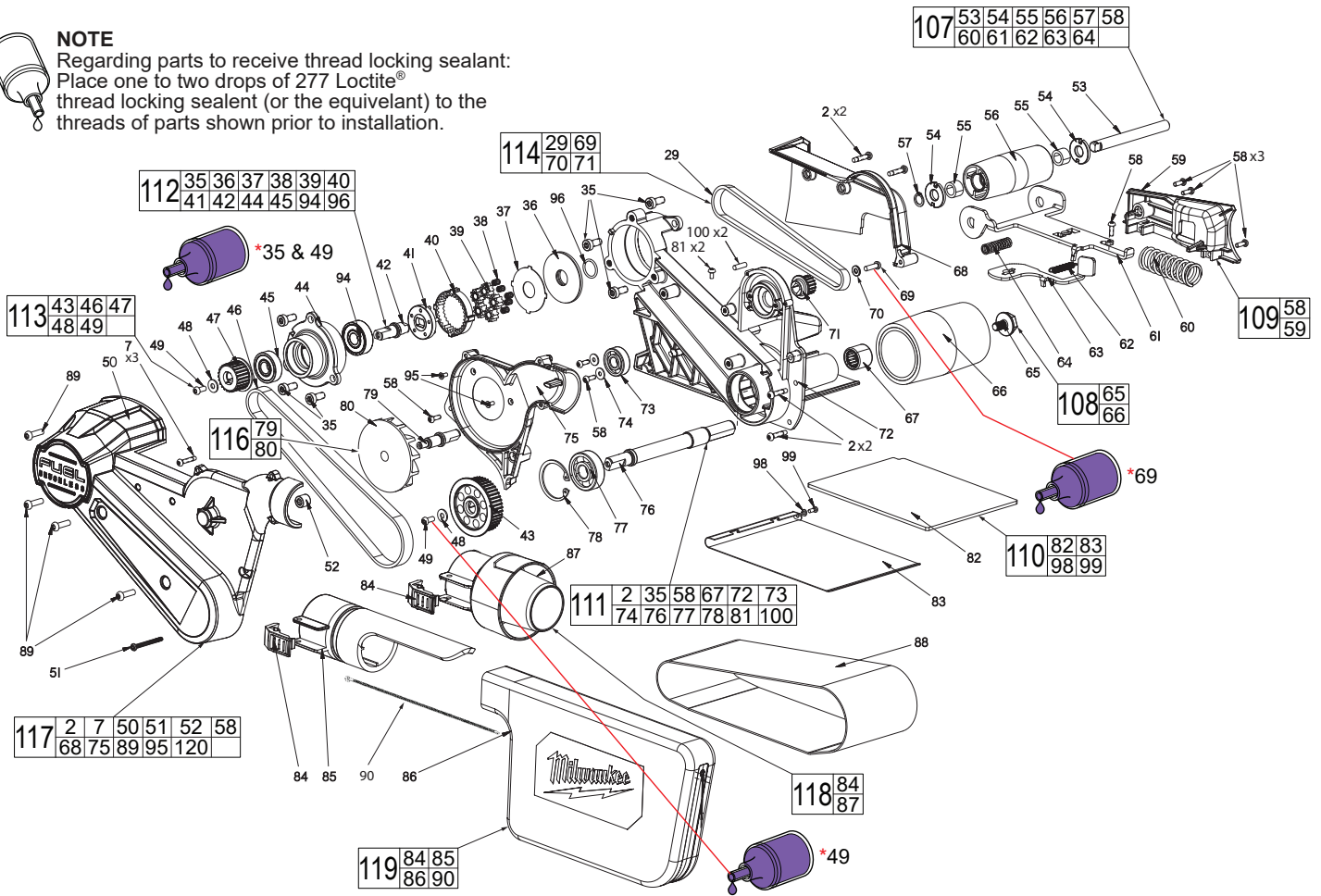
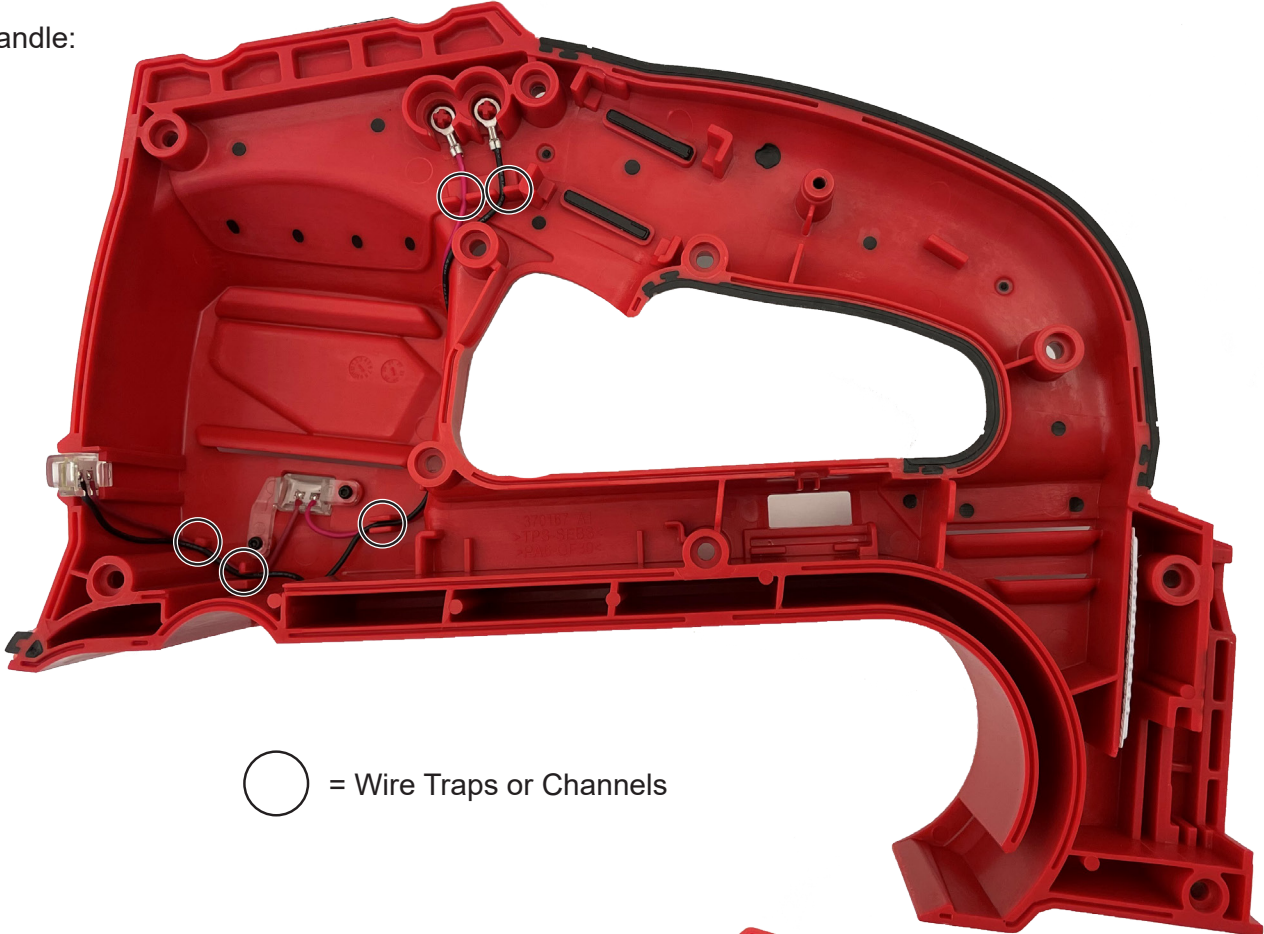


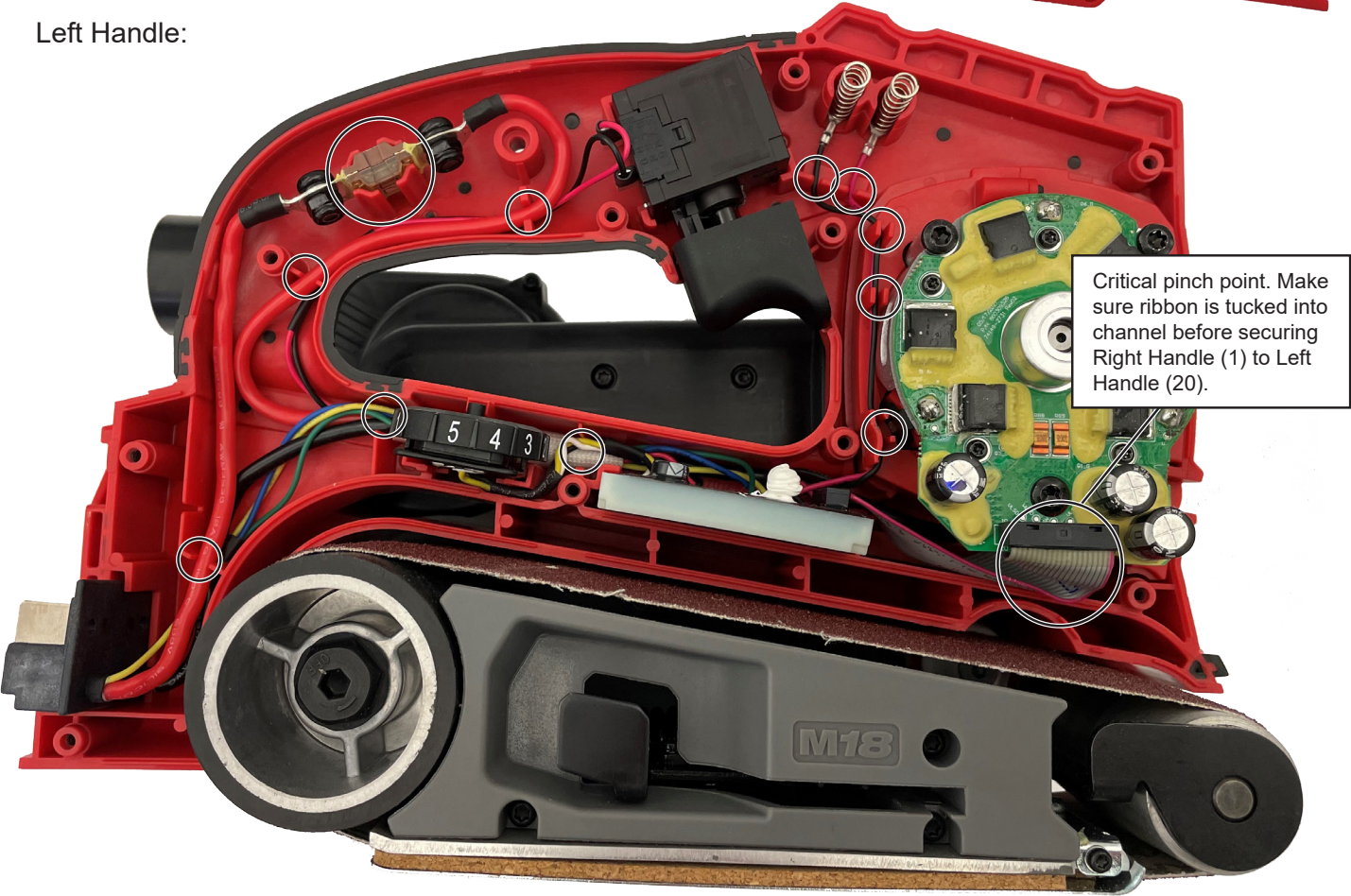
FIG.	PART NO.	DESCRIPTION OF PART	NO. REQ.	FIG.	PART NO.	DESCRIPTION OF PART	NO. REQ.
2	06-82-2368	M3.5 x 1.27 PH T10 Screw	(4)	71	-----	Fan Driven Pulley 16T	(1)
7	06-82-6351	M3 x 1.058 PH T10 Screw	(3)	72	-----	Frame	(1)
29	42-25-0016	Fan Belt	(1)	73	-----	Ball Bearing	(1)
35	05-86-0200	M5.0 x 0.8 Socket Head Torx Screw	(6)	74	45-88-0174	Flat Washer	(2)
36	-----	Gearbox Cover	(1)	75	-----	Fan Housing	(1)
37	-----	Gearbox Washer	(1)	76	-----	Drive Shaft	(1)
38	-----	Needle Roller Bearing	(5)	77	-----	Ball Bearing	(1)
39	-----	1st Plane Gear	(5)	78	44-90-0048	Retaining Ring	(1)
40	-----	Ring Gear	(1)	79	-----	Fan Shaft	(1)
41	-----	Carrier	(1)	80	-----	Dust Fan	(1)
42	-----	Output Shaft	(1)	81	05-81-0076	M2.5 x 0.45 PH T10 Mach. Screw	(2)
43	-----	Roller Driven Pulley 45T	(1)	82	-----	Platen Cork	(1)
44	-----	Gearbox	(1)	83	-----	Platen	(1)
45	-----	Ball Bearing	(1)	84	-----	Dust Extractor Latch	(2)
46	42-25-0017	Drive Belt	(1)	85	-----	Dust Bag Arm	(1)
47	-----	Roller Driven Pulley 24T	(1)	86	-----	Dust Bag	(1)
48	45-88-0377	Flat Washer	(2)	87	-----	Uni Vac Adapter	(1)
49	05-74-0740	M5 x 0.8 Socket Head Torx	(2)	88	-----	Sand Paper	(1)
50	-----	Fan Drive Belt Cover Assembly	(1)	89	05-81-1221	M4 x 0.7 PH T20 Mach. Screw	(4)
51	05-74-0403	M3.0 PH T-10 ST Screw	(1)	90	-----	Nylon Cable Tie	(1)
52	-----	Needle Bearing	(1)	94	-----	Ball Bearing	(1)
53	-----	Front Roller Shaft	(1)	95	05-81-0088	M2.5 x 0.45 FH T8 Mach. Screw	(2)
54	45-88-0172	Thrust Washer	(2)	96	-----	O-Ring	(1)
55	-----	Needle Bearing	(2)	98	45-88-0179	Spring Washer	(1)
56	-----	Front Roller	(1)	99	05-81-0089	M2.5 x 0.45 PH T8 Mach. Screw	(1)
57	-----	C-Ring	(1)	100	06-65-0076	Pin	(2)
58	05-81-0015	M3.0 x 0.5-6g PH T10 Mach. Screw	(7)	107	44-96-0011	Front Roller Sub-Assembly	(1)
59	-----	Tensioner Cover	(1)	108	44-96-0012	Rear Roller Sub-Assembly	(1)
60	-----	Tension Spring	(1)	109	22-68-0027	Tension Cover Sub-Assembly	(1)
61	-----	Tension Bracket	(1)	110	44-66-0163	Platen Sub-Assembly	(1)
62	-----	Lever Return Spring	(1)	111	31-01-0197	Frame and Bearing Sub-Assembly	(1)
63	-----	Tension Lever	(1)	112	28-90-0016	Gearbox Sub-Assembly	(1)
64	-----	Tracking Spring	(1)	113	42-92-0089	Drive Belt Sub-Assembly	(1)
65	06-75-1275	Blade Bolt	(1)	114	42-25-0013	Fan Driven Pulley Sub-Assembly	(1)
66	-----	Drive Roller Assembly	(1)	116	22-84-0011	Fan Sub-Assembly	(1)
67	-----	Needle Bearing	(1)	117	31-15-0231	Fan Cover Sub-Assembly	(1)
68	-----	Fan Belt Cover	(1)	118	43-76-0135	Vac Adapter	(1)
69	05-81-0086	M3.5 x 0.6 PH T15 Mach. Screw	(1)	119	42-16-0014	Dust Bag Kit	(1)
70	45-88-0173	Stamping Washer	(1)	120	12-20-0298	Service Nameplate (Not Shown)	(1)

Right Handle:



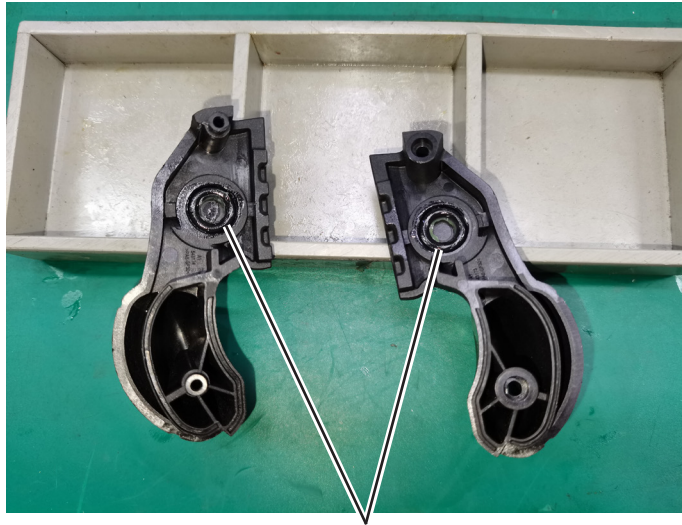
○ = Wire Traps or Channels

Left Handle:



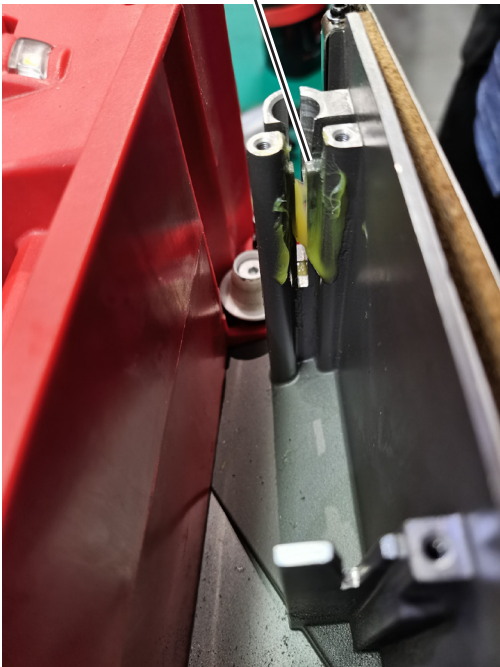
Critical pinch point. Make sure ribbon is tucked into channel before securing Right Handle (1) to Left Handle (20).

Lubrication



Apply 0.1g of Type "J" grease (49-08-4175) to both O-Rings (4)

Apply 0.2g of Type "J" grease (49-08-4175) to the frame



Apply 0.2g of Type "J" grease (49-08-4175) to tension bracket and tension lever

