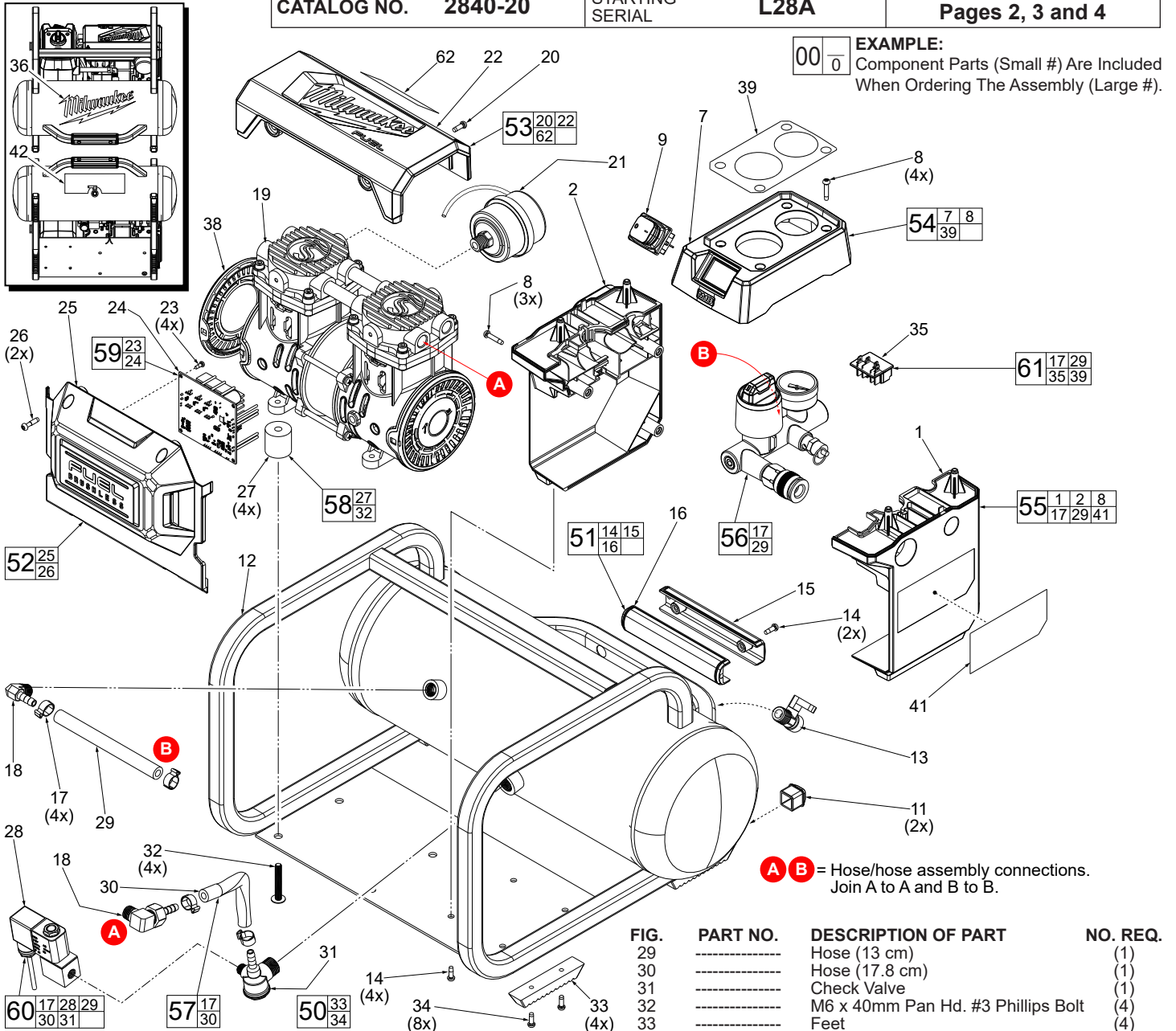




SERVICE PARTS LIST

BULLETIN NO.
54-05-2840

SPECIFY CATALOG NO. AND SERIAL NO. WHEN ORDERING PARTS		REVISED BULLETIN	DATE
M18™ FUEL™ 2 Gallon Compact Quiet Compressor			Jan. 2021
CATALOG NO.	2840-20	STARTING SERIAL	L28A
		WIRING INSTRUCTION Pages 2, 3 and 4	

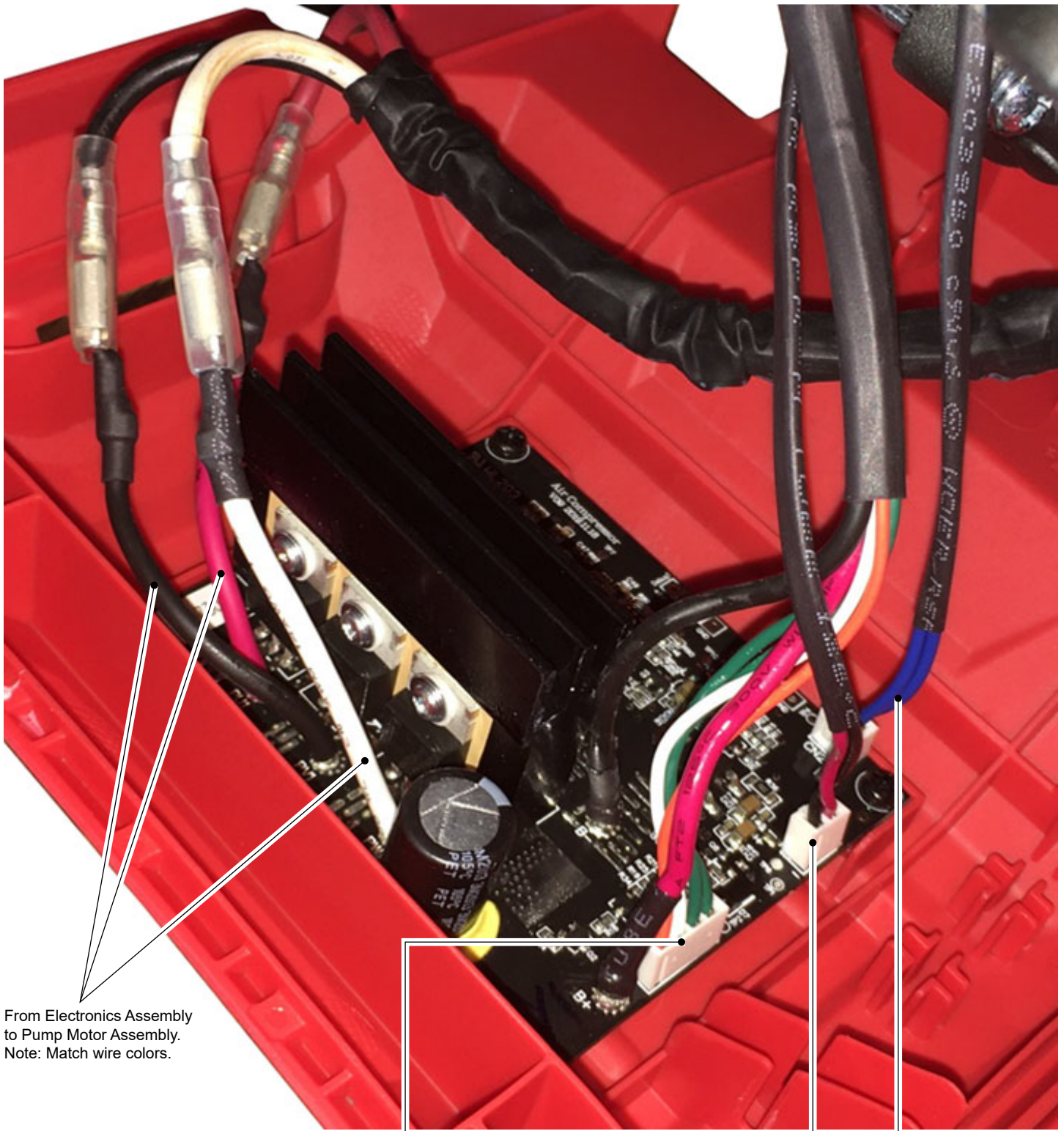


EXAMPLE:
Component Parts (Small #) Are Included When Ordering The Assembly (Large #).

A B = Hose/hose assembly connections. Join A to A and B to B.

FIG.	PART NO.	DESCRIPTION OF PART	NO. REQ.
1	-----	Battery Casement Cover	(1)
2	-----	Battery Casement Support	(1)
7	-----	Manifold Cover	(1)
8	-----	M4 x 20mm Pan Hd. T-20 Screw	(7)
9	23-66-0188	On-Off Switch	(1)
11	31-12-0037	Frame End Cap	(2)
12	-----	Frame/Tank	(1)
13	31-94-0017	Drain Valve	(1)
14	-----	M4 x 12mm Pan Hd. Phillips Screw	(6)
15	-----	Handle Cover	(1)
16	-----	Handle Support	(1)
17	-----	Hose Clamp	(4)
18	-----	Elbow Fitting	(2)
19	14-50-0150	Pump Motor	(1)
20	-----	M4 x 10mm Pan Hd. Taptite T-20 Scr.	(1)
21	42-46-0070	Air Filter Kit	(1)
22	-----	Pump Motor Cover-Top	(1)
23	-----	M3 x 8mm Pan Hd. Phillips Screw	(4)
24	-----	PCBA	(1)
25	-----	Pump Motor Cover-Front	(1)
26	-----	M4 x 17mm Pan Hd. Taptite T-20 Scr.	(2)
27	-----	Motor Mount Bushing	(4)
28	-----	Solenoid Valve	(1)

FIG.	PART NO.	DESCRIPTION OF PART	NO. REQ.
29	-----	Hose (13 cm)	(1)
30	-----	Hose (17.8 cm)	(1)
31	-----	Check Valve	(1)
32	-----	M6 x 40mm Pan Hd. #3 Phillips Bolt	(4)
33	-----	Feet	(4)
34	-----	M4 x 12mm Pan Hd. Taptite T-20 Scr.	(8)
35	-----	Battery Terminal Wire Harness	(1)
36	10-20-3687	MILWAUKEE Logo Decal	(1)
38	31-15-0088	Pump Motor Vent Cover	(1)
39	10-20-6012	Regulator Decal/Label	(1)
41	12-20-0401	Service Nameplate	(1)
42	10-20-3689	Warning Label	(1)
50	42-38-0019	Foot Service Kit (Set of 1)	(4)
51	14-34-0039	Handle Service Kit	(1)
52	42-92-0096	Front Cover Service Kit	(1)
53	42-92-0098	Top Cover Service Kit	(1)
54	31-50-0038	Battery Housing Top Cover Kit	(1)
55	31-50-0044	Battery Casement Service Kit	(1)
56	45-76-0037	Manifold Assembly	(1)
57	42-68-0036	Hose Service Kit	(1)
58	44-66-0126	Motor Mount Service Kit (Set of 1)	(1)
59	14-20-0153	Electronics Assembly	(1)
60	23-48-0017	Solenoid Kit	(1)
61	23-94-0076	Battery Harness Service Kit	(1)
62	10-20-6018	Hot Surface Label	(1)

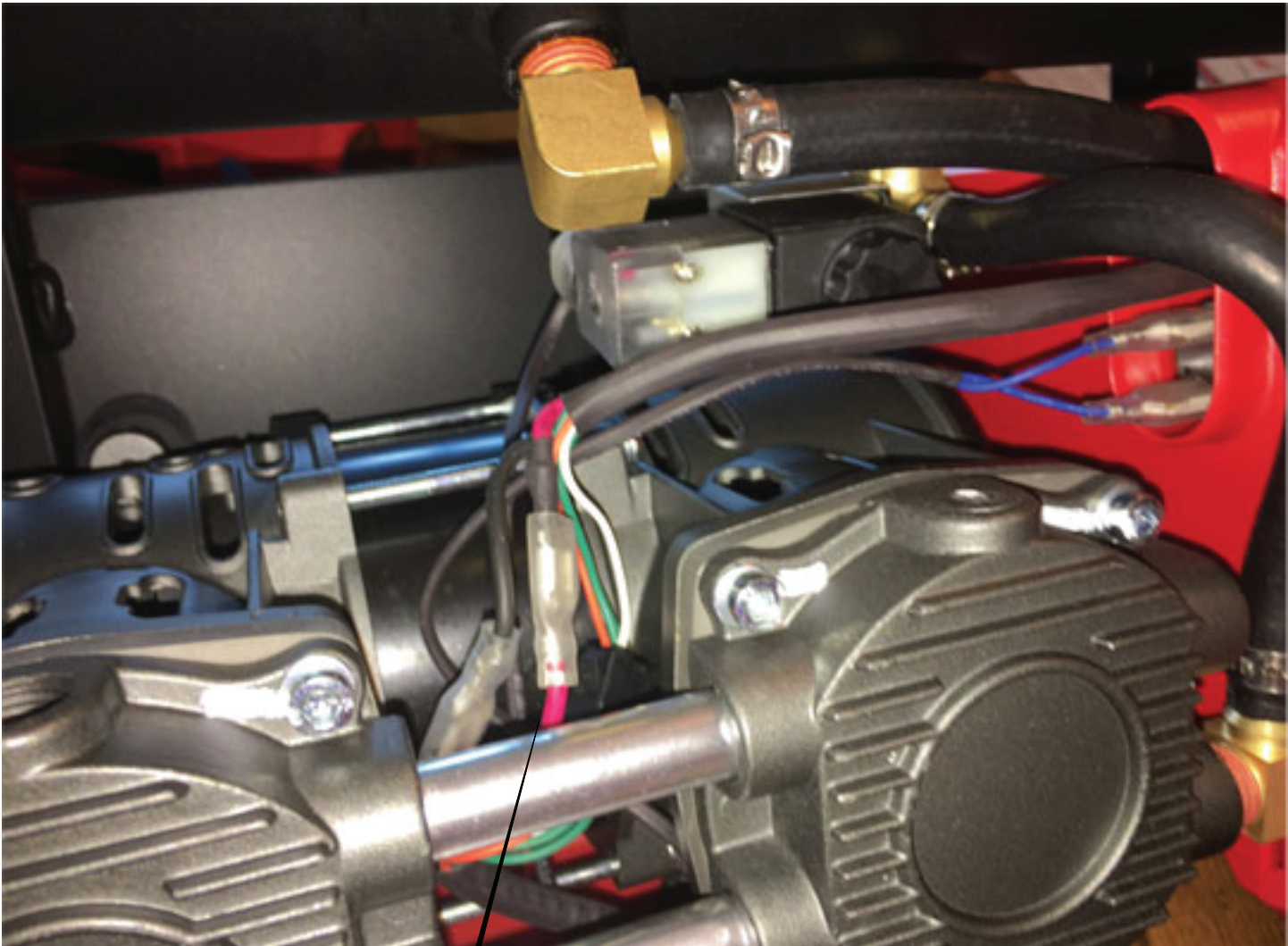


From Electronics Assembly to Pump Motor Assembly. Note: Match wire colors.

From Electronics Assembly to On-Off Switch and Battery Terminal Block.

From Electronics Assembly to Solenoid Valve.

From Electronics Assembly to Pressure Switch.



From Electronics Assembly to
Battery Terminal Block.
Note: Match wire colors.



On-Off
Switch