



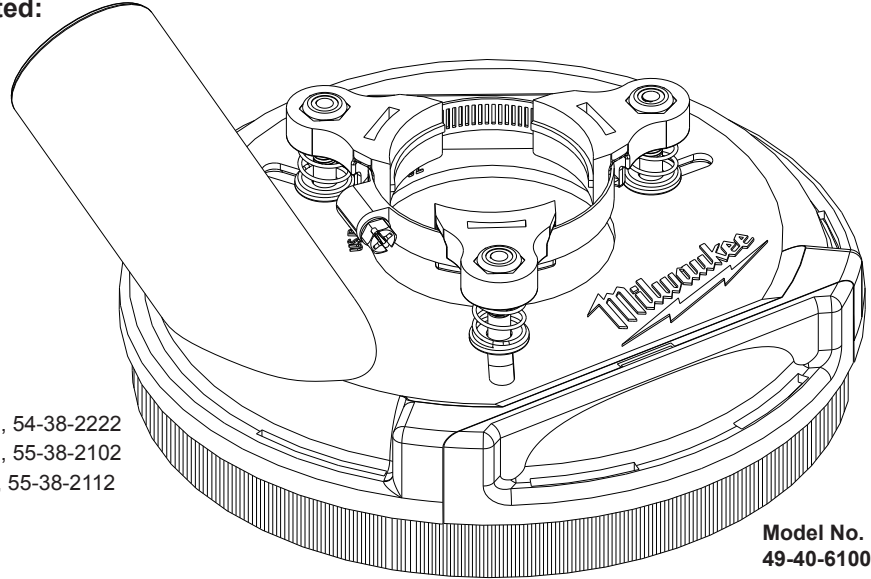
SERVICE PARTS LIST

BULLETIN NO.
54-49-6100

SPECIFY CATALOG NO. AND SERIAL NO. WHEN ORDERING PARTS		REVISED BULLETIN	DATE
5" Dust Collection Shroud			May 2017
CATALOG NO.	49-40-6100 and 49-40-6101	WIRING INSTRUCTION	
SERVICE PARTS ARE LOCATED ON PAGE TWO AND ARE REPLACEMENTS FOR BOTH SHROUD MODELS			

Use Dust Collection Shroud **49-40-6100** on the following grinder models with serial number breaks listed:

Model No.	Serial Break	Reference SPL
2780-20	F33A, F33B	54-38-7010, 54-38-7011
2781-20	732A, F32B	54-38-7000, 54-38-7001
2783-20	G48A	54-38-7020
6117-30	C91A, C91B	54-38-2100, 54-38-2101
6117-31	C92A, C92B	54-38-2110, 54-38-2111
6117-33	C94A, C94B	54-38-2130, 54-38-2131
6117-33D	C95A, C95B	54-38-2140, 54-38-2141
6121-30	C96A, C96B	54-38-2150, 54-38-2151
6121-31	C97A, C97B	54-38-2160, 54-38-2161
6121-31A	C98A, C98B	54-38-2170, 54-38-2171
6124-30	C99A, C99B	54-38-2180, 54-38-2181
6124-31	D01A, D01B	54-38-2190, 54-38-2191
6146-33	D04A, D04B, D04C	54-38-2220, 54-38-2221, 54-38-2222
6149-59	D10A, D10B, D10C	55-38-2100, 55-38-2101, 55-38-2102
6149-59A	D11A, D11B, D11C	55-38-2110, 55-38-2111, 55-38-2112
6161-30	D07A, D07B	54-38-2250, 54-38-2251
6161-31	D08A, D08B	54-38-2260, 54-38-2261
6161-33	D09A, D09B	54-38-2270, 54-38-2271



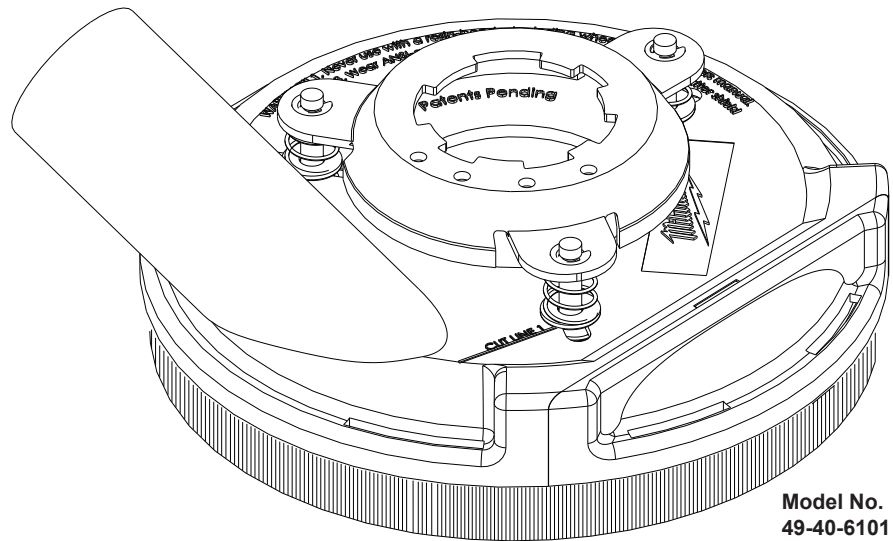
Model No.
49-40-6100

Use Dust Collection Shroud **49-40-6101** on the following grinder models with serial number breaks listed:

Model No.	Serial Break	Reference SPL
2780-20	F33C	54-38-7012
2781-20	732C	54-38-7002
2783-20	G48B	54-38-7021
6117-30	C91C	54-38-2102
6117-31	C92C	54-38-2112
6117-33	C94C	54-38-2132
6117-33D	C95C	54-38-2142
6117-33S	C94C	54-38-2132
6121-30	C96C	54-38-2152
6121-31	C97C	54-38-2162
6121-31A	C98C	54-38-2172
6124-30	C99C	54-38-2182
6124-31	D01C	54-38-2192
6141-30	H38A	54-38-2300
6141-31	H39A	54-38-2310
6142-30	H40A	54-38-2320
6142-31	H41A	54-38-2330
6142-31S	H41A	54-38-2330
6146-33	D04D	54-38-2223
6149-59	D10D	55-38-2103
6149-59A	D11D	55-38-2113
6161-30	D07C	54-38-2252
6161-31	D08C	54-38-2262
6161-33	D09C	54-38-2272

Use this detail as an aid to match the proper Dust Collection Shroud to the many grinder models:

- If the tool has a spindle hub assembly with a spring and guard locking tang, use **61-40-6101**.
- If tool DOES NOT have the spring and guard locking tang, use **61-40-6100**.



Model No.
49-40-6101



SERVICE PARTS LIST

BULLETIN NO.
54-49-6100

SPECIFY CATALOG NO. AND SERIAL NO. WHEN ORDERING PARTS		REVISED BULLETIN	DATE
5" Dust Collection Shroud		WIRING INSTRUCTION	
CATALOG NO.	49-40-6100 and 49-40-6101		

EXAMPLE:

00	0
----	---

 Component Parts (Small #) Are Included
 When Ordering The Assembly (Large #).

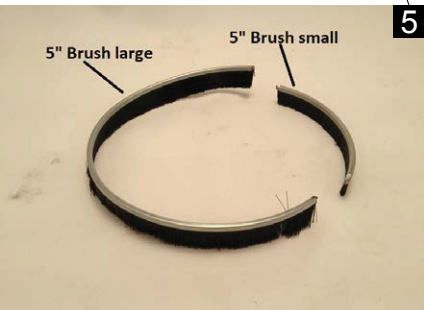
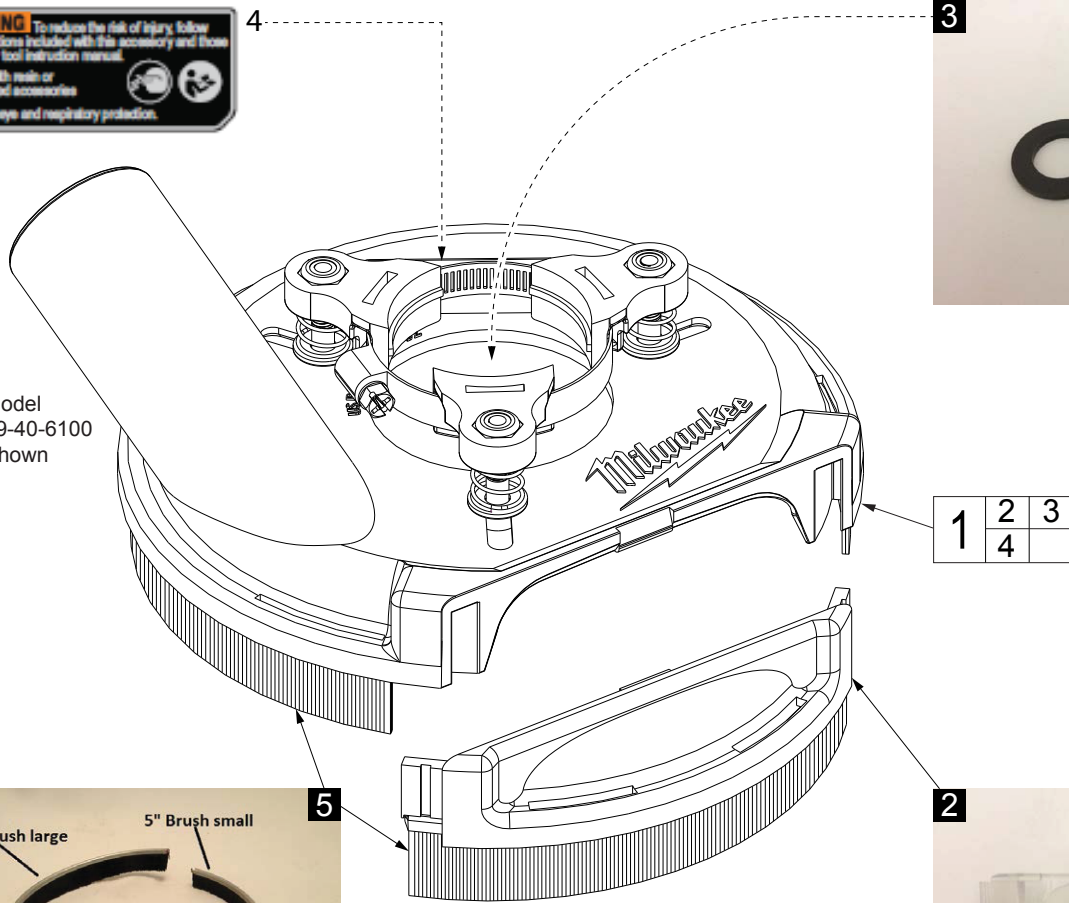


FIG.	PART NO.	DESCRIPTION OF PART	NO. REQ.
1	49-40-6100	5" Dust Collection Shroud	(1)
2	14-46-0061	5" Edge Clip	(1)
3	14-46-0063	Spacer (Set of 3 Spacers)	(1)
4	10-15-0011	Warning Label	(1)
5	31-01-0185	5" Brush Kit	(1)