



SERVICE PARTS LIST

BULLETIN NO.
54-05-0165

| | | | |
|---|----------------|----------------------------|--|
| SPECIFY CATALOG NO. AND SERIAL NO. WHEN ORDERING PARTS | | REVISED BULLETIN | DATE |
| M18™ FUEL™ 9 GALLON WET/DRY VACUUM | | | Jan. 2022 |
| CATALOG NO. | 0920-20 | STARTING SERIAL NO. | M53A |
| | | | WIRING INSTRUCTION See page 3 |

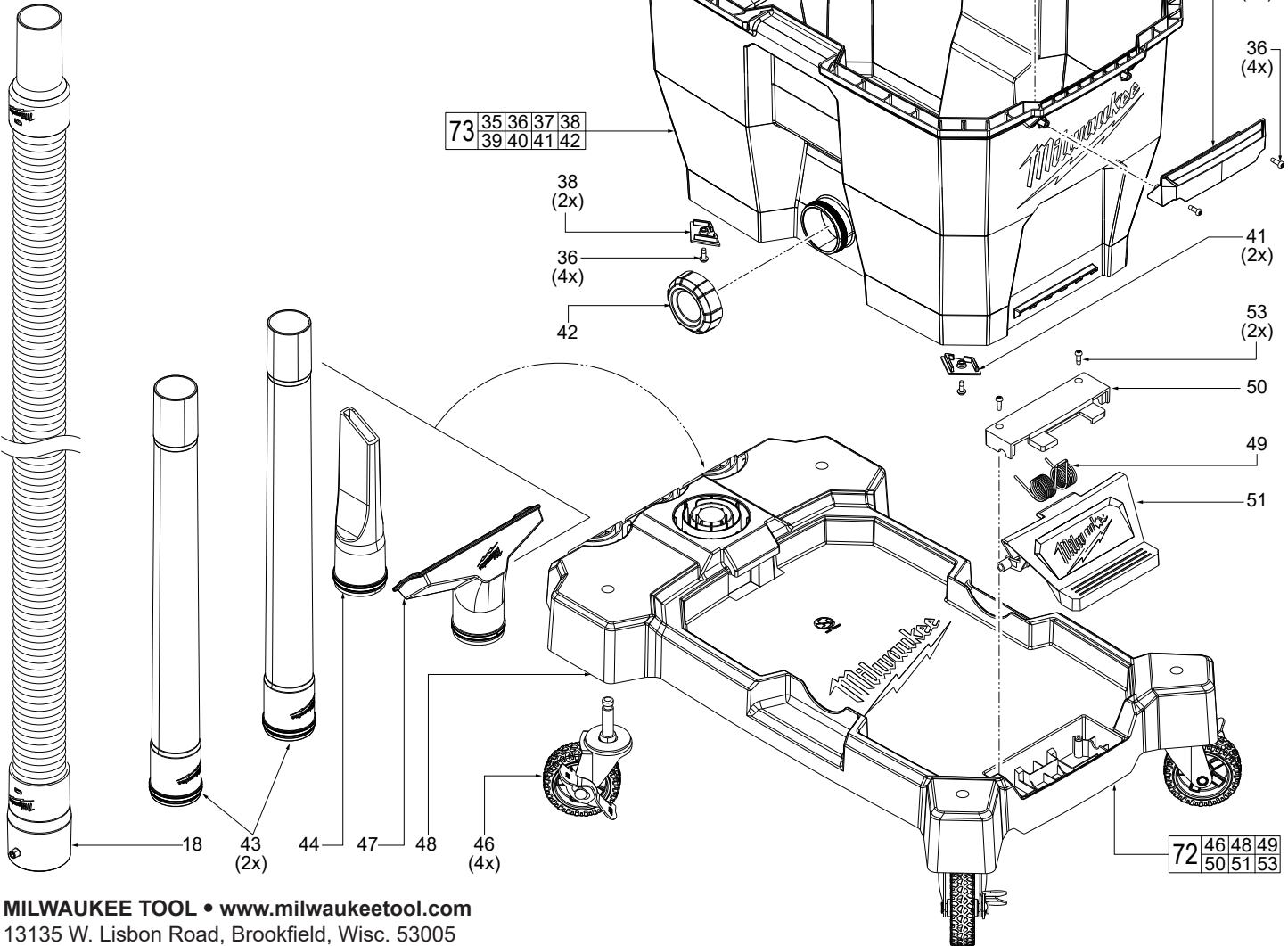
EXAMPLE:

| | |
|----|---|
| 00 | 0 |
|----|---|

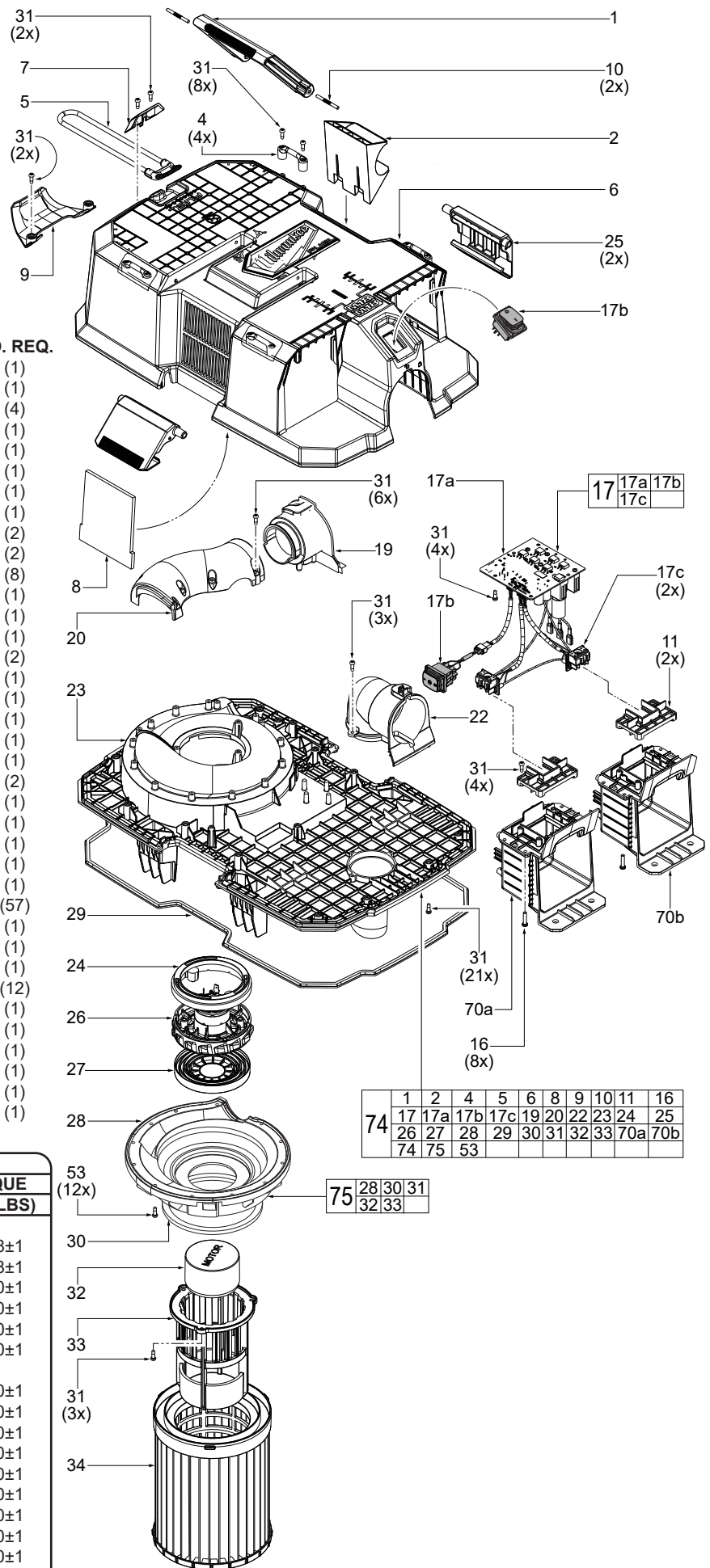
 Component Parts (Small #) Are Included
 When Ordering The Assembly (Large #).

| FIG. | PART NO. | DESCRIPTION OF PART | NO. REQ. |
|------|------------|-----------------------------------|----------|
| 18 | 49-90-1996 | Hose Assembly | (1) |
| 35 | 45-06-0589 | Tank Handle | (2) |
| 36 | 05-74-1044 | M4 x 12mm Flange T-15 Screw | (10) |
| 37 | ----- | 9 Gallon Tank (See item 73) | (1) |
| 38 | 44-85-0253 | Tank Foot #2 | (2) |
| 39 | 42-16-2700 | Bag Holder Attachment | (1) |
| 40 | 42-16-2705 | Bag Holder Screw-In Attachment | (1) |
| 41 | 44-85-0252 | Tank Foot #1 | (2) |
| 42 | 31-01-3035 | Drain Cap | (1) |
| 43 | 49-90-1987 | Wand (Includes 1) | (2) |
| 44 | 49-90-1988 | Crevice Tool | (1) |
| 46 | 14-04-0130 | Caster | (4) |
| 47 | 49-90-2011 | Floor Utility Nozzle | (1) |
| 48 | 48-08-0540 | Cart Base | (1) |
| 49 | 40-50-3925 | Spring | (1) |
| 50 | 44-66-7050 | Pedal Cover | (1) |
| 51 | 45-24-3100 | Pedal | (1) |
| 53 | 05-74-0222 | M4 x 16mm Self-Tapping T-15 Screw | (2) |
| 72 | 0923-20 | Cart Base Assembly | (1) |
| 73 | 0912-20 | 9 Gallon Tank Assembly | (1) |

See page two for Head Assembly service parts
 and a Torque Specification Chart for fasteners



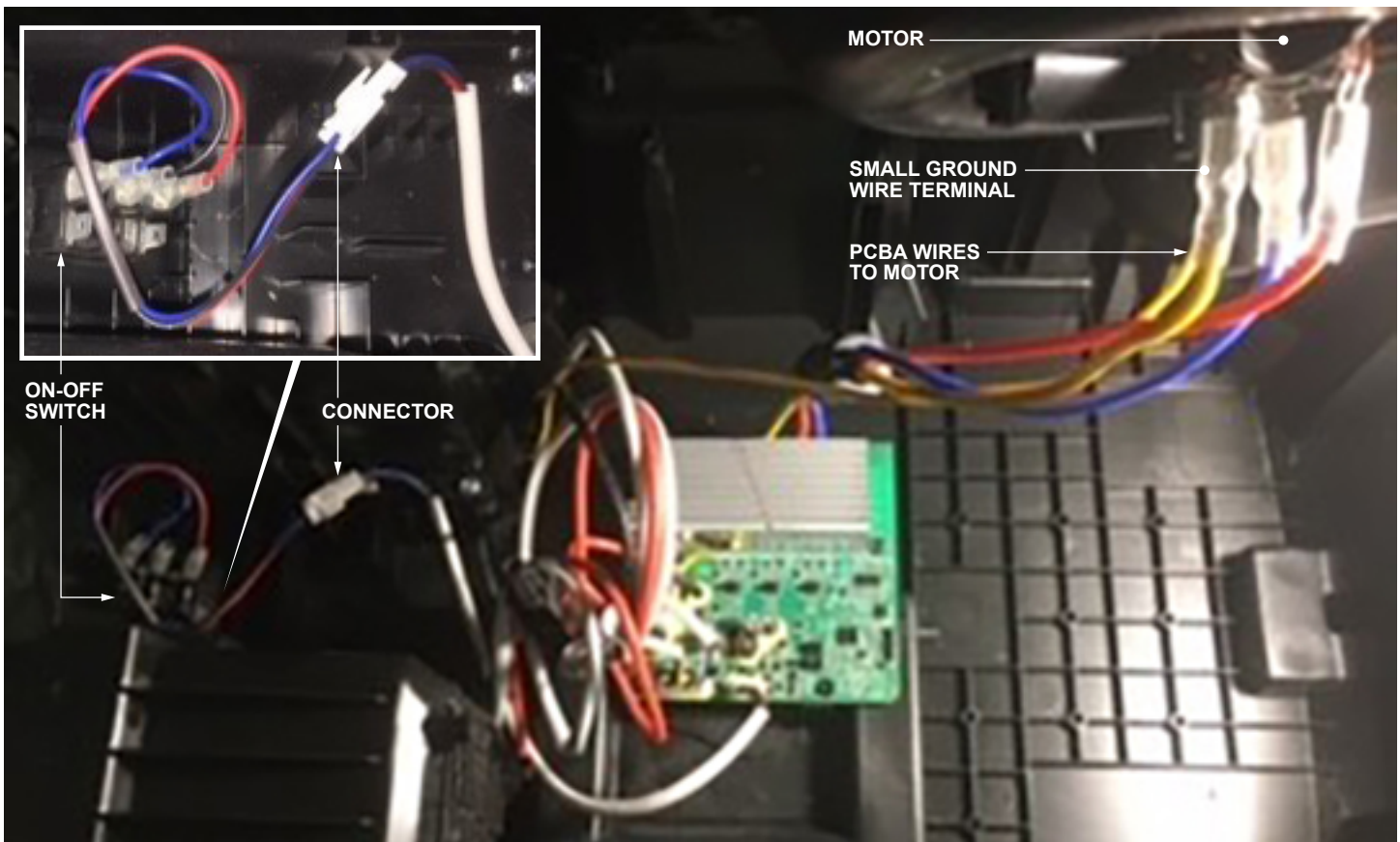
| FIG. | PART NO. | DESCRIPTION OF PART | NO. REQ. |
|------|------------|---|----------|
| 1 | 31-44-7015 | Carrying Handle | (1) |
| 2 | 42-28-0506 | Hose Clip | (1) |
| 4 | 45-58-0285 | Mounting Cleat (Set of 1) | (4) |
| 5 | 14-37-0185 | Bungee Hose Strap | (1) |
| 6 | 31-01-3052 | Head | (1) |
| 7 | 42-28-0560 | Bungee Holder | (1) |
| 8 | 58-95-0075 | Foam, Head | (1) |
| 9 | 31-70-0170 | Hose Rest Bracket | (1) |
| 10 | 31-44-7017 | Knurled Pin | (2) |
| 11 | 31-01-3020 | Battery Terminal Cap | (2) |
| 16 | 05-74-1042 | #7-18 x 19mm Plastite T-20 Screw | (8) |
| 17 | 28-09-2701 | Electronics Assembly | (1) |
| 17a | ----- | PCBA | (1) |
| 17b | 23-66-1987 | On-Off Switch | (1) |
| 17c | ----- | Battery Terminal Block | (2) |
| 19 | 31-05-0735 | Exhaust Port | (1) |
| 20 | 31-01-3030 | Exhaust Cover | (1) |
| 22 | 43-33-0480 | Inlet Elbow | (1) |
| 23 | 31-01-1009 | Mid-Frame | (1) |
| 24 | 44-66-5364 | Motor Isolator-Upper | (1) |
| 25 | 45-06-0585 | Tank Buckle | (2) |
| 26 | 31-50-9005 | Motor Assembly | (1) |
| 27 | 31-55-0245 | Motor Isolator-Lower | (1) |
| 28 | ----- | Lower Volute | (1) |
| 29 | 45-06-0587 | Mid-Frame Gasket | (1) |
| 30 | ----- | Lower Volute Filter Seal | (1) |
| 31 | 05-74-1046 | M4 x 12mm Self-Tapping T-15 Screw | (57) |
| 32 | ----- | Ball Float | (1) |
| 33 | ----- | Ball Float Cage | (1) |
| 34 | 49-90-1978 | Large Wet/Dry Vacuum High Efficiency Filter | (1) |
| 53 | 05-74-0222 | M4 x 16mm Self-Tapping T-20 Screw | (12) |
| 70a | 31-44-0461 | Battery Housing with Left Rail | (1) |
| 70b | 31-44-0462 | Battery Housing with Right Rail | (1) |
| 74 | 0921-20 | Head Assembly | (1) |
| 75 | 31-15-1987 | Lower Volute/Float Cage Assembly | (1) |
| | 49-90-1989 | Fleece Dust Bags (Pkg. of 5) (Not Included) | (1) |
| | 12-20-0542 | Service Nameplate (Not Shown) | (1) |



| | | | | | | | | | |
|----|-----|-----|-----|----|----|----|----|-----|-----|
| 1 | 2 | 4 | 5 | 6 | 8 | 9 | 10 | 11 | 16 |
| 17 | 17a | 17b | 17c | 19 | 20 | 22 | 23 | 24 | 25 |
| 26 | 27 | 28 | 29 | 30 | 31 | 32 | 33 | 70a | 70b |
| 74 | 75 | 53 | | | | | | | |

| | | | |
|----|----|----|----|
| 75 | 28 | 30 | 31 |
| | 32 | 33 | |

| SCREW TORQUE SPECIFICATIONS | | | | |
|-----------------------------|------------|-------------------------|-------------|----------|
| FIG. | PART NO. | WHERE USED | SEAT TORQUE | |
| | | | (KG/CM) | (IN/LBS) |
| Page 1 | | | | |
| 36 | 05-74-1044 | Tank Foot #1 (38) | 4.38±1 | 3.8±1 |
| 36 | 05-74-1044 | Tank Foot #2 (41) | 4.38±1 | 3.8±1 |
| 36 | 05-74-1044 | Bag Holder (40) | 8.06±1 | 7.0±1 |
| 31 | 05-74-1046 | Pedal Cover (50) | 8.06±1 | 7.0±1 |
| 36 | 05-74-1044 | Tank Handle (35) | 8.06±1 | 7.0±1 |
| 53 | 05-74-0222 | Pedal Cover (50) | 8.06±1 | 7.0±1 |
| Page 2 | | | | |
| 31 | 05-74-1046 | Bungee Holder (7) | 8.06±1 | 7.0±1 |
| 31 | 05-74-1046 | PCBA (17a) | 6.91±1 | 6.0±1 |
| 31 | 05-74-1046 | Mounting Cleat (4) | 6.91±1 | 6.0±1 |
| 31 | 05-74-1046 | Exhaust Cover (20) | 8.06±1 | 7.0±1 |
| 31 | 05-74-1046 | Battery Term. Cap (11) | 8.06±1 | 7.0±1 |
| 31 | 05-74-1046 | Inlet Elbow (22) | 8.06±1 | 7.0±1 |
| 31 | 05-74-1046 | Mid-Frame (23) | 8.06±1 | 7.0±1 |
| 31 | 05-74-1046 | Lower Volute (28) | 8.06±1 | 7.0±1 |
| 31 | 05-74-1046 | Ball Float Cage (33) | 8.06±1 | 7.0±1 |
| 16 | 05-74-1042 | Battery Hsg. Assy. (70) | 10.36±1 | 9.0±1 |
| 53 | 05-74-0222 | Lower Volute (28) | 8.06±1 | 7.0±1 |



- Connect Yellow Ground PCBA wire to smallest terminal on the motor.
- Connect Red PCBA wire to terminal labeled RED on the upper right of motor.
- Connect Yellow PCBA wire to terminal labeled YLW on the upper left of motor.
- Connect Blue PCBA wire to terminal labeled BLU on the bottom of motor.
- * Pull on all wires terminated at the motor to ensure proper connection.
- Join PCBA wires and On-Off Switch wires by inserting connector ends together.

As an aid to reassembly, take notice of wire routings and position in wire guides and traps while dismantling tool.

Be sure that all components of electronics kit are seated firmly and squarely in housing recesses.

Avoid pinched wires, be sure that all wires and sleeves are pressed completely down in wire traps.

Prior to securing mid-frame onto the head, be sure that there are no interferences.

Before installing the battery, check for proper functionality of switch.

Install battery and depress switch triggers to assure tool is operating properly.

