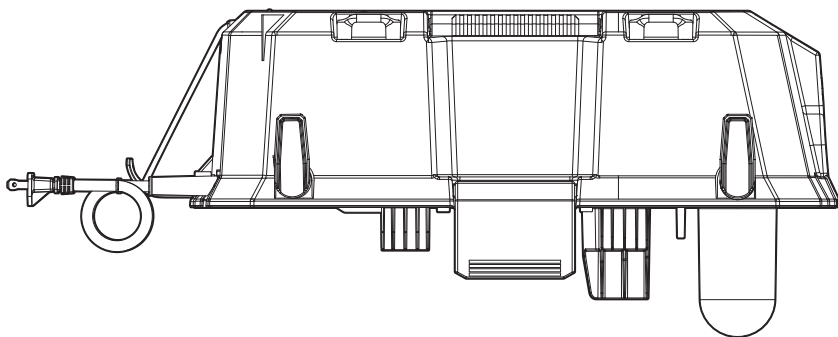




OPERATOR'S MANUAL
MANUEL de L'UTILISATEUR
MANUAL del OPERADOR



Cat. No. / No de cat.
0931-20

6.5 PEAK HP WET/DRY VACUUM MOTOR HEAD
6,5 TÊTE DE MOTEUR À VIDE HUMIDE / SEC HP DE POINTE
CABEZAL DE MOTOR DE VACÍO HÚMEDO/SECO DE 6,5 HP PICO



WARNING To reduce the risk of injury, user must read and understand operator's manual.

AVERTISSEMENT Afin de réduire le risque de blessures, l'utilisateur doit lire et bien comprendre le manuel.

ADVERTENCIA Para reducir el riesgo de lesiones, el usuario debe leer y entender el manual.

IMPORTANT SAFETY INSTRUCTIONS

⚠️WARNING WHEN USING AN ELECTRICAL VACUUM, BASIC PRECAUTIONS SHOULD ALWAYS BE FOLLOWED. BEFORE USING THE VACUUM, READ THIS OPERATOR'S MANUAL AND ALL LABELS ON THE VACUUM. FAILURE TO FOLLOW THE WARNINGS AND INSTRUCTIONS MAY RESULT IN ELECTRIC SHOCK, FIRE AND/OR SERIOUS INJURY.

WORK AREA SAFETY

- **Keep work area clean and well lit.** Cluttered or dark areas invite accidents.
- **Vacuums have motors and other parts that can produce sparks during normal use.** Do not use within 30 feet of areas where explosive materials may be present (such as gasoline pumps and places where liquids like paint thinners, cleaners, solvents, etc. are stored).
- **Do not use in the presence of explosive dust, liquids or vapors.**
- **Do not use where oxygen or anesthetics are used.**
- **Do not allow to be used as a toy.** Close attention is necessary when used by or near children.
- **Use extra care when using on stairs.**

ELECTRICAL SAFETY

- **Do not handle plug or appliance with wet hands.**
- **Vacuum plugs must match the outlet. Never modify the plug in any way. Do not use any adapter plugs with earthed (grounded) vacuums.** Unmodified plugs and matching outlets will reduce risk of electric shock.
- **Avoid body contact with earthed or grounded surfaces, such as pipes, radiators, ranges and refrigerators.** There is an increased risk of electric shock if your body is earthed or grounded.
- **Store indoors. Do not expose vacuums to rain or wet conditions.** Water entering a vacuum will increase the risk of electric shock.
- **Do not abuse the cord. Never use the cord for carrying, pulling or unplugging the vacuum. Keep cord away from heat, oil, sharp edges or moving parts.** Damaged or entangled cords increase the risk of electric shock.
- **Do not use cord as a handle, close a door on cord, or pull cord around sharp edges or corners.** Do not run appliance over cord. Keep cord away from heated surfaces.
- **Do not use with damaged cord or plug.** If appliance is not working as it should, has been dropped, damaged, left outdoors, or dropped into water, return it to a service center.
- **Turn off all controls before unplugging.** Do not unplug by pulling on cord. To unplug, grasp the plug, not the cord.
- **When operating a vacuum outdoors, use an extension cord suitable for outdoor use.** Use of a cord suitable for outdoor use reduces the risk of electric shock.
- **If operating a vacuum in a damp location is unavoidable, use a ground fault circuit interrupter (GFCI) protected supply.** Use of an GFCI reduces the risk of electric shock.

PERSONAL SAFETY

- **STAY ALERT.** Watch what you are doing and use common sense. Do not use vacuum when you are tired, distracted or under the influence of drugs, alcohol or medication causing diminished control.

- **The operation of a vacuum can result in foreign objects being blown into eyes,** which can result in eye damage. Always wear safety goggles or glasses with side shields when operating vacuum.
- **Wear a dust mask or use an OSHA compliant vacuum solution** when working in dusty situations. Dust particles can harm your lungs.
- **Do not overreach. Keep proper footing and balance at all times.** This enables better control of the vacuum in unexpected situations.
- **Keep hair, loose clothing, fingers, and all parts of body away from openings and moving parts.**
- **Use only as described in this manual.** Use only manufacturer's recommended attachments.
- **Prevent unintentional starting. Ensure the switch is in the off-position before connecting to power source, picking up or carrying the vacuum.** Carrying vacuums with your finger on the switch or energizing vacuums that have the switch on invites accidents.
- **If devices are provided for the connection of dust extraction and collection facilities, ensure these are connected and properly used.** Use of dust collection can reduce dust-related hazards.
- **Do not let familiarity gained from frequent use of tools allow you to become complacent and ignore tool safety principles.** A careless action can cause severe injury within a fraction of a second.

VACUUM USE AND CARE

- **Do not use without dust canister and/or filter in place.**
- **Do not use to pick up flammable or combustible liquids** such as gasoline or use in areas where they may be present.
- **Do not pick up anything that is burning or smoking** such as cigarettes, matches, or hot ashes.
- **Do not pick up soot, cement, plaster or drywall dust without filter in place.** These are very fine particles that may affect the performance of the motor or be exhausted back into the air.
- **This product is suitable for collection of silica dust when used in accordance with these instructions.** To reduce the risk of health hazards from other vapors or dust, do not vacuum carcinogenic, toxic or hazardous materials such as asbestos, arsenic, barium, beryllium, lead, pesticides or other health endangered materials.
- **Use special care when emptying heavily loaded tanks.**
- **To avoid spontaneous combustion, empty dust box after each use.**
- **Do not leave vacuum unattended when plugged in.** Unplug when not in use and before servicing.
- **Disconnect the plug from the power source before making any adjustments, changing accessories, or storing vacuums.** Such preventive safety measures reduce the risk of starting the vacuum accidentally.

- **Do not put any object into openings.** Do not use with any opening blocked; keep free of dust, lint, hair, and anything else that may reduce air flow.
- **Maintain vacuum. Check for misalignment or binding of moving parts, breakage of parts and any other condition that may affect the vacuum's operation. If damaged, have the vacuum repaired before use.** Many accidents are caused by poorly maintained tools.

SERVICE

- **Have your vacuum serviced by a qualified repair person using only identical replacement parts.** This will ensure that the safety of the vacuum is maintained.
- **This appliance is provided with double insulation.** Use only identical replacement parts. See instructions for Servicing of Double-Insulated Appliances.
- **Do not modify or attempt to repair the appliance except as indicated in the instructions for use and care.**

- crystalline silica from bricks and cement and other masonry products, and
 - arsenic and chromium from chemically-treated lumber.
- Your risk from these exposures varies, depending on how often you do this type of work. To reduce your exposure to these chemicals: work in a well ventilated area, and work with approved safety equipment, such as those dust masks that are specially designed to filter out microscopic particles.

READ AND SAVE ALL INSTRUCTIONS FOR FUTURE USE

FOR HOUSEHOLD OR COMMERCIAL USE.

SYMBOLOLOGY














SPECIFIC SAFETY RULES FOR WET/DRY VACUUM MOTOR HEAD

- **⚠ WARNING** To reduce the risk of electric shock, fire, or personal injury, use only with MILWAUKEE Wet/Dry Vacuum tanks (Cat. No. 0922-20, 0912-20, 0932-20). Read all operating instructions.
- **Never use vacuum without tank and filter properly installed.**
- **Wear ear protectors.** Exposure to noise can cause hearing loss.
- **To reduce the risk of electric shock, this appliance has a polarized plug (one blade is wider than the other).** This plug will fit in a polarized outlet only one way. If the plug does not fit fully in the outlet, reverse the plug. If it still does not fit, contact a qualified electrician to install the proper outlet. Do not change the plug in any way.
- **This product is suitable for collection of silica dust when used in accordance with these instructions.** To reduce the risk of health hazards from other vapors or dust, do not vacuum carcinogenic, toxic or hazardous materials such as asbestos, arsenic, barium, beryllium, lead, pesticides or other health endangered materials.

- **⚠ WARNING** To reduce the risk of injury, when working in dusty situations, wear appropriate respiratory protection or use an OSHA compliant dust extraction solution.

- **Always use common sense and be cautious when using tools.** It is not possible to anticipate every situation that could result in a dangerous outcome. Do not use this tool if you do not understand these operating instructions or you feel the work is beyond your capability; contact Milwaukee Tool or a trained professional for additional information or training.
- **Maintain labels and nameplates.** These carry important information. If unreadable or missing, contact a MILWAUKEE service facility for a free replacement.

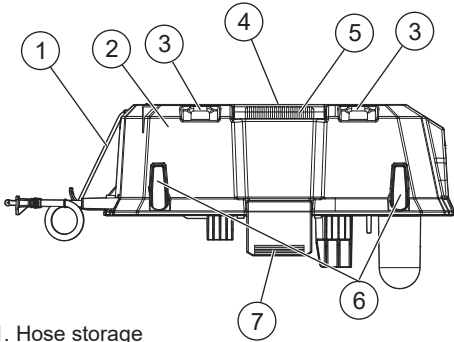
- **⚠ WARNING** Some dust created by power sanding, sawing, grinding, drilling, and other construction activities contains chemicals known to cause cancer, birth defects or other reproductive harm. Some examples of these chemicals are:
 - lead from lead-based paint

	Volts
	Alternating Current
	Amps
	Hertz
	Double insulated
	Read Operator's Manual
	Wear eye protection
	Do not step
	Unlock
	Lock
	ON
	OFF
	UL Listing for Canada and U.S.

SPECIFICATIONS

Cat. No.....	0931-20
Volts.....	120 AC
Frequency.....	60 Hz
Current.....	12 A
Air Flow.....	145 CFM
Suction.....	88 in H2O
Recommended Ambient Operating Temperature.....	0°F to 125°F

FUNCTIONAL DESCRIPTION



1. Hose storage
2. 6.5 peak HP wet/dry vacuum motor head
3. Storage tie downs
4. Hose storage clip (not shown)
5. Handle
6. Pivoting cord wrap
7. Tank latches (front and back)

EXTENSION CORDS

Grounded tools require a three wire extension cord. Double insulated tools can use either a two or three wire extension cord. As the distance from the supply outlet increases, you must use a heavier gauge extension cord. Using extension cords with inadequately sized wire causes a serious drop in voltage, resulting in loss of power and possible tool damage. Refer to the table shown to determine the required minimum wire size.

The smaller the gauge number of the wire, the greater the capacity of the cord. For example, a 14 gauge cord can carry a higher current than a 16 gauge cord. When using more than one extension cord to make up the total length, be sure each cord contains at least the minimum wire size required. If you are using one extension cord for more than one tool, add the nameplate amperes and use the sum to determine the required minimum wire size.

Guidelines for Using Extension Cords

- If you are using an extension cord outdoors, be sure it is marked with the suffix "W-A" ("W" in Canada) to indicate that it is acceptable for outdoor use.
- Be sure your extension cord is properly wired and in good electrical condition. Always replace a damaged extension cord or have it repaired by a qualified person before using it.
- Protect your extension cords from sharp objects, excessive heat and damp or wet areas.

Recommended Minimum Wire Gauge For Extension Cords*

Nameplate Amps	Extension Cord Length				
	25'	50'	75'	100'	150'
0 - 2.0	18	18	18	18	16
2.1 - 3.4	18	18	18	16	14
3.5 - 5.0	18	18	16	14	12
5.1 - 7.0	18	16	14	12	12
7.1 - 12.0	16	14	12	10	--
12.1 - 16.0	14	12	10	--	--
16.1 - 20.0	12	10	--	--	--

* Based on limiting the line voltage drop to five volts at 150% of the rated amperes.

SERVICING OF DOUBLE-INSULATED APPLIANCES

A double-insulated appliance is marked with one or more of the following: The words "DOUBLE INSULATION" or "DOUBLE INSULATED" or the double insulation symbol (square within a square).

In a double-insulated appliance, two systems of insulation are provided instead of grounding. No grounding means is provided on a double-insulated appliance, nor should a means for grounding be added to the appliance. Servicing a double-insulated appliance requires extreme care and knowledge of the system, and should be done only by qualified service personnel. Replacement parts for double-insulated appliance must be identical to the parts they replace.

ASSEMBLY

WARNING To reduce the risk of injury, always unplug tool before changing or removing accessories. Only use accessories specifically recommended for this tool. Others may be hazardous.

CAUTION Keep filter clean. Efficiency of the vacuum is largely dependent on the filter. A dirty filter will reduce the air flow and overall efficiency of the system. Remove from tank and tap clean.

Installing Motor Head onto Tank

(Tank Cat. No. 0922-20, 0912-20, 0932-20, not included)

1. Lift front and back tank latches.
2. Align the vacuum port inside the dust bag holder.
3. Secure front and back latches.

Removing/Securing Power Cord

To **remove**, bring the pivoting cord wrap inward. The cord will easily remove off the motor head.

To **secure**, face the pivoting cord wrap away and wind the cord around the pivoting cord wrap.

Removing/Installing the Filters

Use the high efficiency or HEPA filter for dry pickup **only** (Single pack, Cat. No. 49-90-1977, 49-90-1978). Use the foam filter for wet pick-up operation **only** (Single pack Cat. No. 49-90-1990).

1. Unplug the vacuum.
2. Release the tank latches and lift off the motor housing. Place it upside down on a flat surface.
3. To **remove** the filter, turn it 1/2" counter clockwise and pull it off of the motor housing/float cage.
4. Empty all debris from the tank.

NOTICE When applicable, adhere to jobsite guidelines pertaining to the disposal of silica dust.

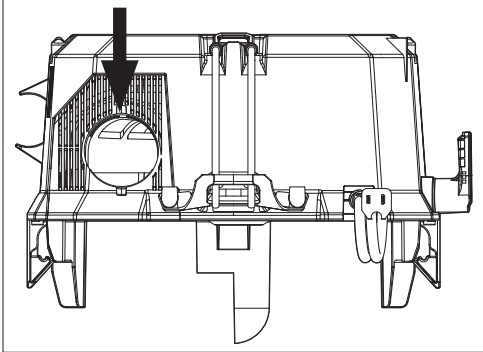
5. To **install** the filter, slide it over the float cage. Line up the filter tabs with the motor housing notches and turn it 1/2" clockwise to lock in place.
6. Replace the motor housing and secure both latches.


⚠ WARNING To reduce the risk of injury: wear safety glasses and a dustmask when using the vacuum cleaner as a blower. Clean tank completely before use.

Pick-Up/Blower

The vacuum can be used for debris pick-up or as a blower, depending on the port used.


1. For the debris **pick-up**, insert the large end of the hose into the intake port of the motor housing, lining up the tabs on the hose with the notches in the port. Twist to secure and form a tight fit.




2. To use as a **blower**, insert the large end of hose into the blower port  of the motor housing, lining up the tabs on the hose with the notches in the port. Twist to secure and form a tight fit.

⚠ WARNING Only use accessories specifically recommended for this tool. Others may be hazardous.

Installing/Removing the Hose

To **install** the hose, line up notches on the hose with the vacuum inlet. Push in and twist toward lock  to secure in place.

To **remove** the hose, twist the hose towards the unlock  and pull away from vacuum inlet.

Installing/Removing the Accessories

To **install** the nozzles, or extensions, push the accessory onto the vacuum hose inlet.

To **remove** the accessory, pull the accessory off the vacuum hose inlet. Store the accessories in the motor head or in the designated cart storage areas.

Installing/Removing the Dust Extraction Adapter

(Cat. No. 49-90-2000, not included)

The dust extractor hose adapter is used to connect the hose to a power tool in place of other dust collection, such as a dust bag.

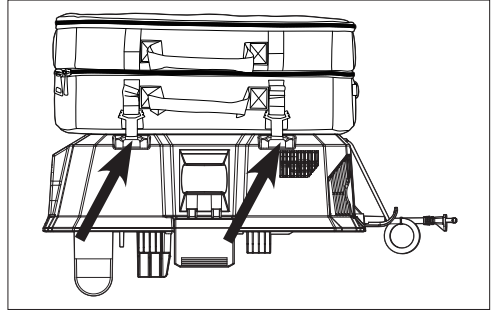
To **install** the adapter, remove any nozzles or accessories from the end of the hose. Twist the adapter onto the hose until tight for a secure fit.

To **remove**, reverse the procedure.

Installing/Removing the Accessory Storage Bag

(Cat. No. 49-90-2019, not included)

1. To **install**, ensure the top of the motor housing is clear.
2. Place the accessory storage bag on top of the motor housing with the logo facing up.
3. Locate the hooks on the accessory storage bag and attach them to the storage tie downs on the motor housing. **NOTE:** There are 2 storage tie downs on each side of motor housing with a total of 4 storage tie downs.



4. To **remove**, unhook the accessory storage bag from the motor housing and remove the accessory storage bag.

OPERATION

⚠ WARNING To reduce the risk of injury, always wear proper eye protection marked to comply with ANSI Z87.1.

When working in dusty situations, wear appropriate respiratory protection or use an OSHA compliant dust extraction solution.

To reduce the risk of fire and injury, do not use to pick up flammable or combustible materials.

Empty tank before use.

Before use, ensure the filter and float cage are properly installed. Remove dry filter before all wet pick-up operations.

Starting and Stopping Vacuum

To turn the vacuum **on**, push the switch to the ON (I) position.

To turn **off** the vacuum, push the switch to the OFF (O) position.

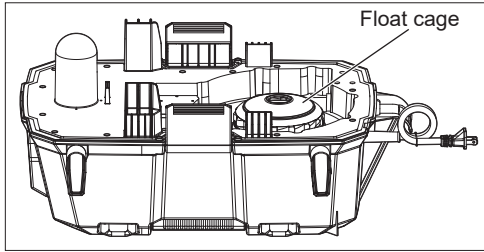
⚠ CAUTION If the float is clean, moves freely, and the suction does not shut off when the tank is filled, contact a MILWAUKEE service facility for repairs. A malfunctioning tool can cause personal injury or property damage.

Wet Pick-Up Operation

For wet pick-up operation, it is recommended to use the foam filter (Single pack, Cat. No. 49-90-1990).

1. Unplug the vacuum.
2. Remove ALL dirt and debris found in the tank.

- Remove the high efficiency filter and install the foam filter (see "Removing/Installing the Filter"). Ensure that the float cage remains in place.



- A float cage shuts off suction when the tank is full. Be sure that the float is clean and moves freely in the float cage to ensure that the float valve works.
- Plug in the vacuum.
- Turn on the vacuum and begin pick-up.
- Turn off the vacuum immediately upon completing a wet pick-up job or when tank is full and ready to be emptied. If suction shuts off, turn off the vacuum immediately and empty the tank.
- Unplug the vacuum.
- To empty the tank, raise the hose to drain any excess liquid into the tank. Do not use vacuum inlet to drain contents.
- Remove motor housing and pour liquid waste into a suitable drain.
- Clean the interior of the tank and pick-up accessories periodically, more often when used to pick up wet, sticky materials. Use warm, soapy water. Do not store vacuum with liquid in tank.

Automatic Suction Shut-Off

When picking up liquids, an internal float rises until it seats itself against a seal at the intake of the motor, shutting off suction. When this happens, the motor will develop a higher than normal pitch noise and the suction is drastically reduced. If this occurs, turn off the vacuum immediately.

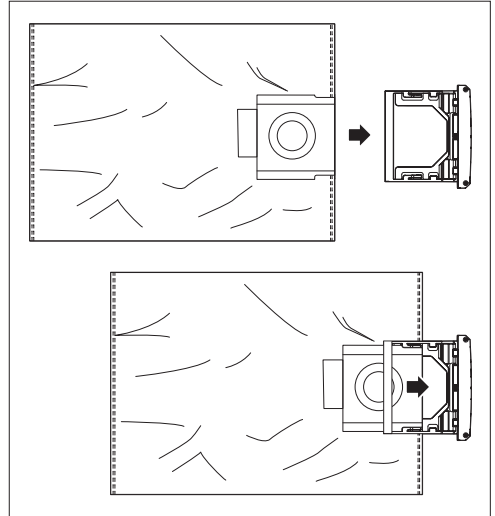
NOTICE Failure to turn off unit after float rises and shuts off suction will result in damage to the motor.

To continue use, empty the liquid waste from the tank. If the vacuum is accidentally tipped over, it could lose suction. Turn off the vacuum and return it to an upright position. The float will return to its normal position.

Installing/Removing Fleece Dust Bag

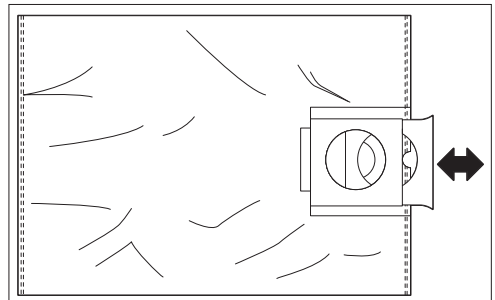
For increased filter life and ease of cleanup, use a fleece dust bag to collect fine dust particles (Single pack, Cat. No.'s 49-90-1979, 49-90-1989, 49-90-1999).

- To **install**, release the tank latches and remove the motor housing.
- Lift the dust bag holder up and out to remove from the tank.
- Slide the cardboard dust bag inlet in to the dust bag holder.



- Insert the dust bag holder back into the slot pushing downward to secure in place.
- Spread out the dust bag in the tank. Replace the motor housing and secure both latches.
- To **remove**, release the tank latches and remove motor housing.
- Lift the dust bag holder up and out to remove from the tank.
- Slide the dust bag holder off the dust bag.
- Pull the cardboard tab until the dust bag inlet is closed. Dust bag is now sealed and can be properly disposed.

Replace fleece dust bag once the bag is at full capacity, suction decreases or dust bag is damaged.



Storage

Before storing your vacuum, empty and clean the tank, filter, and accessories. Unplug the vacuum.

MAINTENANCE

⚠️ WARNING To reduce the risk of injury, always unplug the tool before performing any maintenance. Never disassemble the tool. Contact a MILWAUKEE service facility for ALL repairs. Never use vacuum without tank and filter properly installed.

Maintaining the Filters

Keep filter clean. Clean the filter by twisting the filter cover counter-clockwise to unlock from the motor housing/float cage. Pull the filter away from the vacuum. Empty debris by holding away from the user's face and tap clean. Water may be used to clean the filter.

If cleaning high efficiency filters with water, let filter dry 24 hours before using with vacuum. Replace filter if damaged or suction decreases (Dry filters single pack, Cat. No. 49-90-1977, 49-90-1978 or Wet filter single pack Cat. No. 49-90-1990).

Maintaining Tool

Keep your tool in good repair by adopting a regular maintenance program. Inspect your tool for issues such as undue noise, misalignment or binding of moving parts, breakage of parts, or any other condition that may affect the tool operation. Return the tool to a MILWAUKEE service facility for repair. After six months to one year, depending on use, return the tool to a MILWAUKEE service facility for inspection.

⚠️ WARNING To reduce the risk of personal injury, electric shock and damage, never immerse your tool in liquid or allow a liquid to flow inside it.

Cleaning

Clean dust and debris from any vents. Keep tool clean, dry and free of oil or grease. Use only mild soap and a damp cloth to clean, since certain cleaning agents and solvents are harmful to plastics and other insulated parts. Some of these include gasoline, turpentine, lacquer thinner, paint thinner, chlorinated cleaning solvents, ammonia and household detergents containing ammonia. Never use flammable or combustible solvents around tools.

Repairs

For repairs, return the tool to the nearest authorized service center.

ACCESSORIES

⚠️ WARNING Use only recommended accessories. Others may be hazardous.

For a complete listing of accessories, go online to www.milwaukeetool.com or contact a distributor.

Compatible with 0931-20 6.5 peak HP Wet/Dry Vacuum Motor Head

0922-20	6 Gallon Wet/Dry Vacuum Tank
0912-20	9 Gallon Wet/Dry Vacuum Tank
0932-20	12 Gallon Wet/Dry Vacuum Tank

SERVICE - UNITED STATES

1-800-SAWDUST (1.800.729.3878)

Monday-Friday, 7:00 AM - 6:30 PM CST

or visit www.milwaukeetool.com

Contact Corporate After Sales Service Technical Support with technical, service/repair, or warranty questions.

Email: metproductsupport@milwaukeetool.com

Become a Heavy Duty Club Member at www.milwaukeetool.com to receive important notifications regarding your tool purchases.

SERVICE - CANADA

Milwaukee Tool (Canada) Ltd

1.800.268.4015

Monday-Friday, 7:00 AM - 4:30 PM CST

or visit www.milwaukeetool.ca

LIMITED WARRANTY USA & CANADA

Every MILWAUKEE power tool* (see exceptions below) is warranted to the original purchaser only to be free from defects in material and workmanship. Subject to certain exceptions, MILWAUKEE will repair or replace any part on an electric power tool which, after examination, is determined by MILWAUKEE to be defective in material or workmanship for a period of five (5) years** after the date of purchase unless otherwise noted. Return of the power tool to a MILWAUKEE factory Service Center location or MILWAUKEE Authorized Service Station, freight prepaid and insured, is required. A copy of the proof of purchase should be included with the return product. This warranty does not apply to damage that MILWAUKEE determines to be from repairs made or attempted by anyone other than MILWAUKEE authorized personnel, misuse, alterations, abuse, normal wear and tear, lack of maintenance, or accidents.

Normal Wear: Many power tools need periodic parts replacement and service to achieve best performance. This warranty does not cover repair when normal use has exhausted the life of a part including, but not limited to, chucks, brushes, cords, saw shoes, blade clamps, o-rings, seals, bumpers, driver blades, pistons, strikers, lifters, and bumper cover washers.

*This warranty does not cover Air Nailers & Staplers; Airless Paint Sprayer; Cordless Battery Packs; Gasoline Driven Portable Power Generators; Hand Tools; Hoist - Electric, Lever & Hand Chain; M12™ Heated Gear; Reconditioned Product; and Test & Measurement Products. There are separate and distinct warranties available for these products.

**The warranty period for Job Site Radios, M12™ Power Port, M18™ Power Source, Jobsite Fan and Trade Titan™ Industrial Work Carts is one (1) year from the date of purchase. The warranty period for the M18 FUEL™ 1" D-Handle High Torque Impact Wrenches, Drain Cleaning Cables, AIRSNAKE™ Drain Cleaning Air Gun Accessories, REDLITHIUM™ USB Laser Levels and TRAPSNAKE™ 25' Auger w/ CABLE DRIVE™ is two (2) years from the date of purchase. The warranty period for the M18™ Compact Heat Gun, 8 Gallon Dust Extractor, M18™ Framing Nailers, M18 FUEL™ 1/2" Ext. Anvil Controlled Torque Impact Wrench w/ ONE-KEY™, M18 FUEL™ 1" High Torque Impact Wrench w/ ONE-KEY™, M18 FUEL™ 2 Gal. Compact Quiet Compressor, M12™ Laser Levels, 165' Laser Detector, M12™ 23GA Pin Nailer, M18 FUEL™ 1/4" Blind Rivet Tool w/ ONE-KEY™, M12 FUEL™ Low Speed Tire Buffer, M18 FUEL™ Random Orbital Polishers, and the M18™ Utility Fencing Stapler is three (3) years from the date of purchase. The warranty period for the LED in the LED Work Light and the LED Upgrade Bulb for the Work Light is the lifetime of the product subject to the limitations above. If during normal use the LED or LED Bulb fails, the part will be replaced free of charge.

Warranty Registration is not necessary to obtain the applicable warranty on a MILWAUKEE power tool product. The manufacturing date of the product will be used to determine the warranty period if no proof of purchase is provided at the time warranty service is requested.

ACCEPTANCE OF THE EXCLUSIVE REPAIR AND REPLACEMENT REMEDIES DESCRIBED HEREIN IS A CONDITION OF THE CONTRACT FOR THE PURCHASE OF EVERY MILWAUKEE PRODUCT. IF YOU DO NOT AGREE TO THIS CONDITION, YOU SHOULD NOT PURCHASE THE PRODUCT. IN NO EVENT SHALL MILWAUKEE BE LIABLE FOR ANY INCIDENTAL, SPECIAL, CONSEQUENTIAL OR PUNITIVE DAMAGES, OR FOR ANY COSTS, ATTORNEY FEES, EXPENSES, LOSSES OR DELAYS ALLEGED TO BE AS A CONSEQUENCE OF ANY DAMAGE TO, FAILURE OF, OR DEFECT IN ANY PRODUCT INCLUDING, BUT NOT LIMITED TO, ANY CLAIMS FOR LOSS OF PROFITS. SOME STATES DO NOT ALLOW THE EXCLUSION OR LIMITATION OF INCIDENTAL OR CONSEQUENTIAL DAMAGES, SO THE ABOVE LIMITATION OR EXCLUSION MAY NOT APPLY TO YOU. THIS WARRANTY IS EXCLUSIVE AND IN LIEU OF ALL OTHER EXPRESS WARRANTIES, WRITTEN OR ORAL, TO THE EXTENT PERMITTED BY LAW, MILWAUKEE DISCLAIMS ANY IMPLIED WARRANTIES, INCLUDING WITHOUT LIMITATION ANY IMPLIED WARRANTY OF MERCHANTABILITY OR FITNESS FOR A PARTICULAR USE OR PURPOSE; TO THE EXTENT SUCH DISCLAIMER IS NOT PERMITTED BY LAW, SUCH IMPLIED WARRANTIES ARE LIMITED TO THE DURATION OF THE APPLICABLE EXPRESS WARRANTY AS DESCRIBED ABOVE. SOME STATES DO NOT ALLOW LIMITATIONS ON HOW LONG AN IMPLIED WARRANTY LASTS, SO THE ABOVE LIMITATION MAY NOT APPLY TO YOU. THIS WARRANTY GIVES YOU SPECIFIC LEGAL RIGHTS, AND YOU MAY ALSO HAVE OTHER RIGHTS WHICH VARY FROM STATE TO STATE.

This warranty applies to product sold in the U.S.A. and Canada only. Please consult the 'Service Center Search' in the Parts & Service section of MILWAUKEE's website www.milwaukeeetool.com or call 1.800.SAWDUST (1.800.729.3878) to locate your nearest service facility for warranty and non-warranty service on a Milwaukee electric power tool.

RÈGLES GÉNÉRALES DE SÉCURITÉ

⚠ AVERTISSEMENT

LORS DE L'UTILISATION D'UN ASPIRATEUR ÉLECTRIQUE, DES PRÉCAUTIONS ÉLÉMENTAIRES DOIVENT TOUJOURS ÊTRE PRISES. AVANT D'UTILISER L'ASPIRATEUR, LIRE LE PRÉSENT MANUEL D'UTILISATION AINSI QUE TOUTES LES ÉTIQUETTES SE TROUVANT SUR L'ASPIRATEUR. NE PAS SUIVRE L'ENSEMBLE DES AVERTISSEMENTS ET INSTRUCTIONS PEUT ENTRAÎNER UN CHOC ÉLECTRIQUE, UN INCENDIE ET/OU DES BLESSURES GRAVES.

SÉCURITÉ DU LIEU DE TRAVAIL

- **Veillez conserver votre zone de travail propre et bien éclairée.** Les zones encombrées ou sombres sont propices aux accidents.
- **L'aspirateur et autres pièces pouvant produire des étincelles durant leur fonctionnement normal.** Veillez conserver une distance de 10 mètres avec les zones pouvant contenir des matières explosives (tels que des pompes à essence et des endroits où des produits comme du diluant à peinture, des produits nettoyeurs, des solvants, etc. sont stockés).
- **Ne pas utiliser en présence de poussières, liquides ou vapeurs explosives.**
- **Ne pas utiliser là où de l'oxygène ou des anesthésiants sont utilisés.**
- **Interdire son utilisation comme un jouet.** Portez une attention particulière lorsque l'appareil est utilisé par ou proche d'enfants.
- **Utilisez des soins supplémentaires lors de l'utilisation sur les escaliers.**

SÉCURITÉ ÉLECTRIQUE

- **Ne pas manipuler la fiche ou l'appareil avec les mains mouillées.**
- **Les fiches de l'aspirateur devront correspondre à la prise secteur. Ne jamais modifier la fiche, de quelque façon que ce soit. Ne jamais utiliser des adaptateurs de fiche jumelés à des aspirateurs mis à la terre.** Les fiches et prises non modifiées réduisent le risque de choc électrique.
- **Éviter tout contact avec des surfaces mises à la terre comme des tuyaux, des radiateurs, des cuisinières et des réfrigérateurs.** Le risque de choc électrique est accru lorsque le corps est mis à la terre.
- **Entreposer à l'intérieur. Ne pas exposer les aspirateurs à la pluie ou à l'humidité.** La pénétration d'eau dans ces outils accroît le risque de choc électrique.
- **Ne pas maltraiter le cordon d'alimentation. Ne jamais utiliser le cordon pour transporter, tirer ou débrancher l'aspirateur. Garder le cordon à l'écart de la chaleur, de l'huile, des objets tranchants et des pièces en mouvement.** Un cordon endommagé ou emmêlé accroît le risque de choc électrique.

UTILISATION ET ENTRETIEN DU LES ASPIRATEUR

- **Ne pas utiliser le cordon en tant que poignée, ne pas fermer une porte sur lui et ne pas tirer sur lui pour lui faire longer des arêtes tranchantes ou des coins. Ne pas faire passer l'appareil sur le cordon. Tenir le cordon à l'écart des surfaces chaudes.**
- **Ne pas utiliser l'appareil si le cordon ou la fiche sont endommagés. Si l'appareil ne fonctionne pas comme il faut, s'il est tombé, endommagé, laissé à l'extérieur ou s'il tombe dans l'eau, veuillez le retourner à un centre de service.**
- **Mettre toutes les commandes dans la position d'arrêt avant de débrancher l'appareil. Ne pas tirer sur le cordon pour débrancher l'appareil. Pour le débrancher, tirer plutôt sur la fiche.**
- **Lors de l'utilisation d'un aspirateur à l'extérieur, utiliser un cordon prolongateur spécialement conçu à cet effet. Utiliser un cordon conçu pour l'usage extérieur réduit les risques de choc électrique.**
- **Si l'utilisation d'un aspirateur est inévitable dans un endroit humide, utiliser une source d'alimentation munie d'un disjoncteur de fuite de terre. L'utilisation d'un disjoncteur de fuite de terre réduit le risque de choc électrique.**

SÉCURITÉ INDIVIDUELLE

- **RESTEZ ATTENTIF** Restez attentif à ce que vous faites et utilisez votre bon sens. N'utilisez pas le dépoussiéreur si vous êtes fatigué, distrait ou sous l'influence de drogues, d'alcool ou d'une médication pouvant entraîner une diminution de votre contrôle.
- **Lors du fonctionnement d'un aspirateur des objets étrangers peuvent être projetés dans les yeux, pouvant entraîner des blessures à l'oeil. Toujours porter des lunettes de sécurité ou des lunettes avec des protections latérales lorsque vous utilisez le aspirateur.**
- **Porter un masque anti-poussière ou utiliser une solution d'extraction de poussière conforme aux normes OSHA** pendant que vous travaillez dans des circonstances poussiéreuses. Les particules de poussière peuvent nuire vos poumons.
- **Ne pas trop tendre les bras lors de son utilisation. Toujours se tenir bien campé et en équilibre.** Ceci vous permettra d'avoir un meilleur contrôle du aspirateur lors de situations inattendues.
- **Gardez les cheveux, les vêtements amples et les doigts loin des ouvertures et des parties en mouvement.**
- **Utiliser seulement tel que décrit dans le présent manuel.** N'utiliser que les attaches recommandées par le fabricant.
- **Éviter les démarrages accidentels. S'assurer que le commutateur est mis dans sa position d'arrêt avant de le connecter à la source d'alimentation, de ramasser l'aspirateur ou de le transporter.** Transporter des aspirateurs lorsque votre doigt est mis sur le commutateur, ou bien encore les aspirateurs lorsque le commutateur est activé favorise les accidents.
- **Si les outils sont munis des dispositifs de dépoussiérage, s'assurer qu'ils sont connectés et correctement utilisés.** L'utilisation d'un appareil de dépoussiérage sert à réduire les dangers liés à la poussière.
- **Ne pas laisser la familiarité avec l'outil acquise par une utilisation fréquente vous rendre suffisant et vous amener à ignorer les règles de sécurité.** Une utilisation négligée peut causer une blessure grave en une fraction de seconde.

- **Ne pas utiliser si la boîte à poussière et/ou les filtres ne sont pas en place.**
- **Ne pas utiliser pour ramasser des liquides inflammables** tels que l'essence ou ne pas utiliser dans des endroits où de tels produits peuvent être présents.
- **Ne pas ramasser de matériaux en feu ou fumants** comme des cigarettes, des allumettes ou des cendres chaudes.
- **Ne pas ramasser de suie, de ciment, de plâtre ou de poussière de cloison sèche sans filtre en place.** Il s'agit de particules très fines pouvant affecter la performance du moteur ou être rejetées dans l'air.
- **Ce produit convient à la collecte de la poussière de silice lorsqu'il est utilisé conformément à ces instructions. Afin de réduire les risques pour la santé issus de autres vapeurs ou de poussières, ne pas aspirer de matières toxiques, cancérigènes ou autres matières dangereuses** comme l'amiante, l'arsenic, le baryum, le béryllium, le plomb, les pesticides ou autres matières pouvant mettre en danger la santé.
- **Apportez une attention toute particulière lorsque vous videz des réservoirs très chargés.**
- **Afin d'éviter toute combustion spontanée, vider la boîte à poussière après chaque utilisation.**
- **Ne pas laisser l'aspirateur inattendu lorsqu'il est branché. Le débrancher lorsqu'il n'est pas utilisé et avant de l'entretenir.**
- **Déconnecter la fiche de la source d'alimentation avant d'effectuer des réglages, de changer des accessoires et d'entreposer les aspirateurs.** De telles mesures préventives de sécurité minimisent le risque de démarrage accidentel de l'appareil.
- **Ne pas insérer d'objet dans les ouvertures.** Ne pas utiliser lorsqu'une des ouvertures est obstruée: les garder libre de toute poussière, peluches, cheveux et tout autre matière pouvant réduire le flux d'air.
- **Maintenance du aspirateur. Vérifier le désalignement ou le blocage des pièces mobiles, le bris de pièces ou de toute autre condition pouvant affecter le fonctionnement du aspirateur. Si endommagé, veuillez faire réparer le aspirateur avant de l'utiliser.** Beaucoup d'accidents se produisent suite à une mauvaise maintenance des outils.

ENTRETIEN

- **Les réparations doivent être confiées à un technicien qualifié utilisant exclusivement des pièces de rechange identiques à celles d'origine.** Le maintien de la sûreté de l'aspirateur sera ainsi assuré.
- **Cet appareil est muni d'un double isolement.** Utiliser uniquement des pièces de rechange identiques à celles d'origine. Veuillez vous reporter aux instructions pour l'entretien des appareils à double isolement.
- **Ne pas modifier ou tenter de réparer l'appareil, sauf si une mesure telle est indiquée dans les instructions d'emploi et d'entretien.**

RÈGLES DE SÉCURITÉ SPÉCIFIQUES POUR TÊTE DU MOTEUR POUR ASPIRATEUR DE DÉTRITUS SECS / HUMIDES

⚠ AVERTISSEMENT

Afin de minimiser le risque de décharge électrique, d'incendie ou de blessures physiques, utiliser uniquement en combinaison avec des réservoirs pour aspirateurs de détritrus secs / humides de MILWAUKEE (no de cat. 0922-20, 0912-20, 0932-20). Lire toutes les instructions d'utilisation.

• **Ne jamais utiliser l'aspirateur sans avoir le réservoir et le filtre correctement installés.**

• **Porter des protecteurs d'oreille.** L'exposition au bruit peut entraîner une perte auditive.

• **Afin de minimiser le risque de décharge électrique, cet appareil est muni d'une fiche polarisée (une lame est plus large que l'autre).** Cette fiche ne peut être branchée sur une prise polarisée que dans un sens. Si la fiche ne peut pas être insérée dans la prise, l'inverser. Si elle ne peut toujours pas être insérée, faire installer une prise adéquate par un électricien qualifié. Ne pas modifier la fiche, de quelque façon que ce soit.

• **Ce produit convient à la collecte de la poussière de silice lorsqu'il est utilisé conformément à ces instructions. Afin de réduire les risques pour la santé issus de autres vapeurs ou de poussières, ne pas aspirer de matières toxiques, cancérigènes ou autres matières dangereuses** comme l'amiante, l'arsenic, le baryum, le béryllium, le plomb, les pesticides ou autres matières pouvant mettre en danger la santé.

⚠ AVERTISSEMENT

Afin de minimiser le risque de blessures, lorsque de travaux sont faits dans de situations poussiéreuses, porter une protection respiratoire ou bien, utiliser une solution d'extraction de poussière conforme aux normes OSHA.

• **Toujours faire preuve de bons sens et procéder avec prudence lors de l'utilisation d'outils.** C'est impossible de prévoir toutes les situations dont le résultat est dangereux. Ne pas utiliser cet outil si vous ne comprenez pas ces instructions d'opération ou si vous pensez que le travail dépasse votre capacité ; veuillez contacter Milwaukee Tool ou un professionnel formé pour recevoir plus d'information ou formation.

• **Maintenir en l'état les étiquettes et les plaques d'identification.** Des informations importantes y figurent. Si elles sont illisibles ou manquantes, contacter un centre de services et d'entretien MILWAUKEE pour un remplacement gratuit.

⚠ AVERTISSEMENT

Certaines poussières générées par les activités de ponçage, de coupe, de rectification, de perforage et d'autres activités de construction contiennent des substances considérées être la cause de malformations congénitales et de troubles de l'appareil reproducteur. Parmi ces substances figurent :

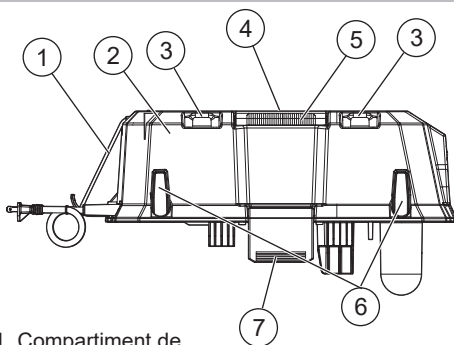
- le plomb contenu dans les peintures à base de plomb ;
- la silice cristalline des briques, du ciment et d'autres matériaux de maçonnerie, ainsi que
- l'arsenic et le chrome des sciages traités chimiquement.

Les risques encourus par l'opérateur envers ces expositions varient en fonction de la fréquence de ce type de travail. Pour réduire l'exposition à ces substances chimiques, l'opérateur doit : travailler dans une zone bien ventilée et porter l'équipement de sécurité approprié, tel qu'un masque anti-poussière spécialement conçu pour filtrer les particules microscopiques.

LIRE TOUTES LES INSTRUCTIONS ET LES CONSERVER À DES FINS DE RÉFÉRENCE ULTÉRIEURE

POUR UTILISATION DOMESTIQUE
OU COMMERCIALE.

DESCRIPTION FONCTIONNELLE
















1. Compartiment de rangement des tuyaux
2. 6,5 Tête de moteur à vide humide / sec HP de pointe
3. Sangles à cliquet
4. Clip de rangement de tuyau (non illustré)
5. Poignée
6. Enrouleur tournant de cordon
7. Loquets de réservoir (avant et arrière)

SPÉCIFICATIONS

No de Cat.....	0931-20
Volts.....	120 CA
Fréquence.....	60 Hz
Courant.....	12 A
Debit d'air.....	68 litres par seconde
Succion.....	22 kPa
Température ambiante de fonctionnement recommandée.....	-18°C à 50°C (0°F à 125°F)

PICTOGRAPHIE

	Volts
	Courant alternatif
	Ampères
	Hertz
	Double Isolation
	Lire le manuel d'utilisation
	Porter une protection oculaire
	Ne pas étape
	Déverrouiller
	Verrouillage
	MARCHE
	ARRÊT
	UL Listing Mark pour Canada et États-unis

CORDONS DE RALLONGE

Si l'emploi d'un cordon de rallonge est nécessaire, un cordon à trois fils doit être employé pour les outils mis à la terre. Pour les outils à double isolation, on peut employer indifféremment un cordon de rallonge à deux ou trois fils. Plus la longueur du cordron entre l'outil et la prise de courant est grande, plus le calibre du cordon doit être élevé. L'utilisation d'un cordon de rallonge incorrectement calibré entraîne une chute de voltage résultant en une perte de puissance qui risque de détériorer l'outil. Reportez-vous au tableau ci-contre pour déterminer le calibre minimum du cordon. Moins le calibre du fil est élevé, plus sa conductivité est bonne. Par exemple, un cordon de calibre 14 a une meilleure conductivité qu'un cordon de calibre 16. Lorsque vous utilisez plus d'une rallonge pour couvrir la distance, assurez-vous que chaque cordon possède le calibre minimum requis. Si vous utilisez un seul cordon pour brancher plusieurs outils, additionnez le chiffre d'intensité (ampères) inscrit sur la fiche signalétique de chaque outil pour obtenir le calibre minimal requis pour le cordon.

Directives pour l'emploi des cordons de rallonge

- Si vous utilisez une rallonge à l'extérieur, assurez-vous qu'elle est marquée des sigles « W-A » (« W » au Canada) indiquant qu'elle est adéquate pour usage extérieur.
- Assurez-vous que le cordon de rallonge est correctement câblé et en bonne condition. Remplacez tout cordon de rallonge détérioré ou faites-le remettre en état par une personne compétente avant de vous en servir.
- Tenez votre cordon de rallonge à l'écart des objets ranchants, des sources de grande chaleur et des endroits humides ou mouillés.

Calibres minimaux recommandés pour les cordons de rallonge*					
Fiche signalétique Ampères	Longueur du cordon de rallonge (m)				
	7,6	15,2	22,9	30,5	45,7
0 - 2,0	18	18	18	18	16
2,1 - 3,4	18	18	18	16	14
3,5 - 5,0	18	18	16	14	12
5,1 - 7,0	18	16	14	12	12
7,1 - 12,0	16	14	12	10	--
12,1 - 16,0	14	12	10	--	--
16,1 - 20,0	12	10	--	--	--

* Basé sur une chute de voltage limite de 5 volts à 150% de l'intensité moyenne de courant.

ENTRETIEN DES APPAREILS À DOUBLE ISOLEMENT

Un appareil à double isolement est marqué avec une ou plusieurs indications figurant ci-dessous : Les termes « ISOLEMENT DOUBLE » ou « DOUBLEMENT ISOLÉ » ou bien encore le symbole d'isolement double (un carré à l'intérieur d'un autre). L'appareil à double isolement n'est pas muni d'une mise à la terre, plutôt de deux systèmes d'isolement. Un appareil à double isolement n'est muni d'aucun moyen de mise à la terre et il ne faut pas en ajouter un. Les réparations à effectuer pour un appareil à double isolement exigent que des précautions extrêmes soient prises ainsi qu'une connaissance profonde du système, c'est pourquoi elles ne doivent être confiées qu'à un technicien qualifié. Pour un appareil à double isolement, utiliser uniquement des pièces de rechange qui soient identiques à celles d'origine.

MONTAGE DE L'OUTIL

⚠ AVERTISSEMENT

Pour minimiser les risques de blessures, débranchez toujours l'outil avant d'y faire des réglages, d'y attacher ou d'en enlever les accessoires. L'usage d'accessoires autres que ceux qui sont spécifiquement recommandés pour cet outil peut comporter des risques.

⚠ ATTENTION Garder le filtre propre. L'efficacité de l'aspirateur dépend en grande partie du filtre. Un filtre sale réduit la circulation de l'air ainsi que l'efficacité globale du système. Retirer du réservoir et appuyez sur propre.

Installation de la tête du moteur dans le réservoir

(Réservoir no de cat. 0922-20, 0912-20, 0932-20, non compris)

1. Soulever les loquets avant et arrière du réservoir.
2. Aligner l'orifice d'aspiration dans le support pour sac à poussière.
3. Fixer les loquets avant et arrière.

Enlèvement / fixation du cordon d'alimentation

Pour l'enlever, remettre l'enrouleur tournant de cordon vers l'intérieur. Le cordon sera facilement enlevé de la tête du moteur.

Pour le fixer, mettre l'enrouleur tournant de cordon dans la direction opposée et enrouler le cordon autour de lui.

Retrait/installation des filtres

Utiliser **uniquement** le filtre haute efficacité ou HEPA pour les tâches d'aspiration de débris secs (Pack unique, no de cat. 49-90-1977, 49-90-1978). Utiliser le filtre en mousse **uniquement** pour les tâches d'aspiration de débris humides (Pack unique, no de cat. 49-90-1990).

1. Débrancher l'aspirateur.
2. Libérer les loquets du réservoir et soulever le boîtier du moteur. Le poser renversé sur une surface plane.
3. Pour **retirer** le filtre, le tourner de demi dans le sens antihoraire et retirer le filtre du boîtier du moteur/de la cage du flotteur.

4. Vider tous les débris du réservoir.

AVIS Le cas échéant, respectez les directives du chantier concernant l'élimination de la poussière de silice.

5. Pour installer le filtre, le faire glisser sur la cage flottante. Aligner les languettes du filtre avec les encoches du boîtier du moteur et le tourner de demi dans le sens horaire pour le verrouiller en place.

Remettre le boîtier du moteur en place et attacher les deux loquets.

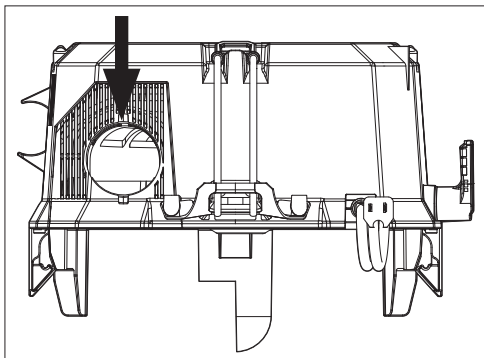
⚠ AVERTISSEMENT

Pour réduire le risque de blessures, porter des lunettes de sécurité munies d'écrans latéraux et un masque antipoussières pour utiliser l'aspirateur pour souffler des débris. Bien nettoyer le réservoir avant d'utiliser l'appareil.

Ramassage/Soufflante

L'aspirateur peut être utilisé pour le ramassage des débris ou comme soufflante, selon le port utilisé.

1. Pour **ramasser** les débris, insérer la grande extrémité du tuyau dans l'orifice d'admission du boîtier du moteur, en alignant les languettes du tuyau avec les encoches dans l'orifice. Tourner pour attacher le tuyau et former un ajustement serré.





2. Pour un usage de **soufflante**, insérer la grande extrémité du tuyau  dans l'orifice de soufflante du boîtier du moteur, en alignant les languettes du tuyau avec les encoches dans l'orifice. Tourner pour attacher le tuyau et former un ajustement serré.

⚠ AVERTISSEMENT

L'emploi d'accessoires autres que ceux qui sont expressément recommandés pour cet outil peut comporter des risques.

Installation / enlèvement du tuyau

Pour **installer** le tuyau, aligner les entailles sur le tuyau avec l'entrée d'aspiration. Le pousser et tourner vers la position de verrouillage  pour le fixer sur place.

Pour **retirer** le tuyau, le tourner vers la position de déverrouillage  et tirer sur lui pour le séparer de l'entrée d'aspiration.

Installation et retrait des accessoires

Pour **installer** les buses, les tuyaux ou les accessoires, pousser l'accessoire sur l'entrée de l'aspirateur.

Pour **enlever** l'accessoire, tirer sur lui pour le séparer de l'entrée d'eau du tuyau. Ranger les accessoires dans la tête du moteur, ou bien dans les espaces de rangement indiqués dans le chariot.

Installation / enlèvement de l'adaptateur de dépoussiérage

(Utiliser le no de cat. 49-90-2000 ; ceci n'est pas compris)

L'adaptateur pour tuyaux de dépoussiérage est utilisé pour relier le tuyau à un outil électrique en lieu d'autre moyen de dépoussiérage, tel qu'un sac à poussière. Pour **installer** l'adaptateur, enlever tous les suceurs et les accessoires du bout du tuyau. Faire tourner l'adaptateur sur le tuyau jusqu'à ce qu'il se referme, ceci pour achever un ajustage ferme.

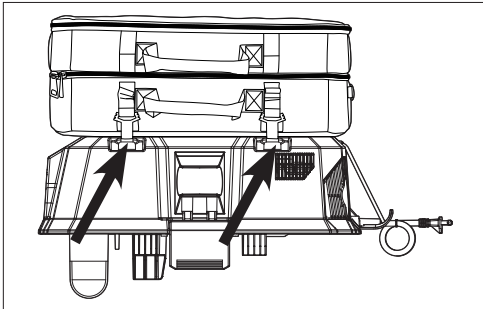
Pour **l'enlever**, suivre le processus à l'inverse.

Installation / enlèvement de la sacoche de rangement pour accessoires

(No de cat. 49-90-2019 ; non compris)

1. Pour **l'installer**, constater que la partie supérieure du boîtier du moteur est libre.
2. Mettre la sacoche de rangement pour accessoires sur le boîtier de moteur, en tenant le logotype vers le haut.
3. Repérer sur les crochets de la sacoche de rangement pour accessoires et les fixer aux sangles à cliquet qui se trouvent sur le boîtier de moteur.

REMARQUE : Il y a 2 sangles à cliquet pour rangement à chaque côté du boîtier de moteur, totalisant 4 sangles à cliquet pour rangement.



4. Pour **l'enlever**, décrocher la sacoche de rangement pour accessoires du boîtier du moteur et l'enlever.

MANIEMENT

⚠ AVERTISSEMENT

Afin de minimiser le risque de blessures, toujours porter la protection oculaire appropriée certifiée conforme à la norme ANSI Z87.1.

Lorsque de travaux sont faits dans des situations poussiéreuses, porter une protection respiratoire ou bien, utiliser une solution d'extraction de poussière conforme aux normes OSHA.

Afin de réduire le risque d'incendie et de bles-sure, ne pas utiliser pour ramasser des matières inflammables.

Vider le réservoir avant utilisation.

Avant toute utilisation, s'assurer que le filtre et la cage du flotteur sont correctement installés.

Retirer le filtre avant l'aspiration des déchets humides. Enlever le filtre pour détritux secs avant d'entreprendre les tâches d'aspiration de détritux humides.

Démarrage et arrêt de l'aspirateur

Pour mettre l'aspirateur **en marche**, pousser le commutateur à la position ON (MARCHE) (I).

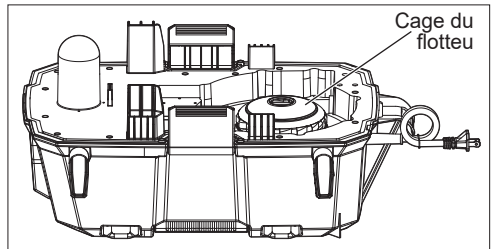
Pour **arrêter** l'aspirateur, pousser le commutateur à la position OFF (ARRÊT) (O).

⚠ ATTENTION Si le flotteur est propre, se déplace librement, et l'aspiration ne s'éteint pas lorsque le réservoir est rempli, contactez une installation de service MILWAUKEE pour les réparations. Un outil défectueux peut causer des blessures corporelles ou des dommages matériels.

Opération de ramassage de liquide

Pour le ramassage humide, il est recommandé d'utiliser le filtre en mousse (Pack unique, no de cat. 49-90-1990).

1. Débrancher l'aspirateur.
2. Retirer TOUTE la poussière et TOUS les débris qui se trouvent dans le réservoir.
3. Enlever le filtre haute efficacité et installer le filtre en mousse (voir la section « Retrait/installation des filtres ». S'assurer que la cage de flotteur reste en place.



4. Une cage de flotteur arrête l'aspiration lorsque le réservoir est plein. S'assurer que le flotteur est propre et se déplace librement dans la cage du flotteur pour garantir le bon fonctionnement de la soupape à flotteur.
5. Brancher l'aspirateur.
6. Allumer l'aspirateur et commencer à aspirer.

7. Arrêter l'aspirateur immédiatement après le ramassage de liquide ou quand le réservoir est plein et prêt à être vidé.
8. Débrancher l'aspirateur.
9. Pour vider le réservoir, hausser le tuyau pour vidanger tout excès de liquide qui reste dans le réservoir. Ne pas utiliser l'entrée d'aspiration pour vidanger ce qui est dans le réservoir.
10. Retirer le boîtier du moteur et verser les déchets liquides dans un drain approprié.
11. Nettoyer régulièrement l'intérieur du réservoir et les accessoires de ramassage; le faire plus souvent lorsqu'ils sont utilisés pour ramasser des matériaux humides et collants. Utiliser de l'eau chaude savonneuse. Ne pas entreposer l'aspirateur s'il a toujours du liquide à l'intérieur.

Arrêt automatique de l'aspiration

Lorsque des liquides sont aspirés, un flotteur interne monte jusqu'à ce qu'il se place contre un joint à l'admission du moteur, coupant l'aspiration. Lorsque cela se produit, le moteur émet un bruit plus élevé que la normale et l'aspiration est considérablement réduite. Si cela se produit, éteindre immédiatement l'aspirateur.

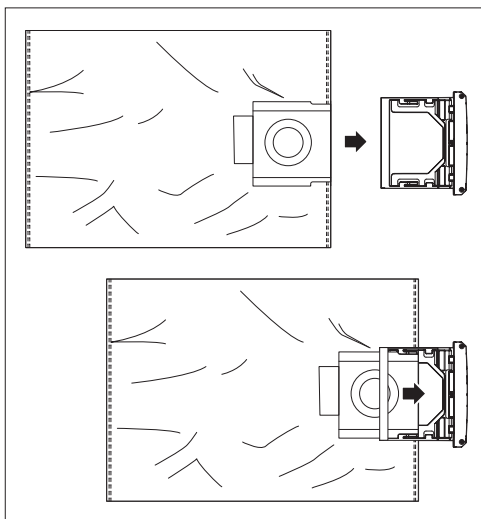
AVIS Ne pas éteindre l'aspirateur après la montée du flotteur et arrêter l'aspiration entraînera des dommages au moteur.

Pour continuer à utiliser l'aspirateur, vider les déchets liquides du réservoir. Si l'aspirateur est accidentellement renversé, il peut cesser d'aspirer. Éteindre l'aspirateur et le remettre en position verticale. Le flotteur reviendra à sa position normale.

Installation / enlèvement du sac à poussière en toison

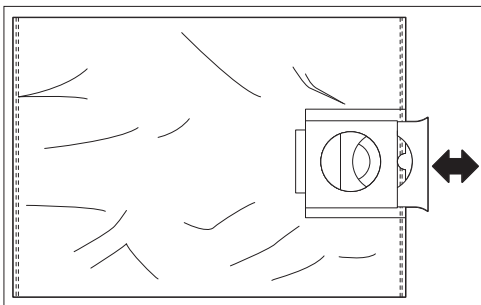
Afin de jouir d'une vie plus longue de votre filtre et d'une facilité de nettoyage, utiliser un sac à poussière en toison pour ramasser les particules fines de poussière (Pack unique, no de cat 49-90-1979, 49-90-1989, 49-90-1999).

1. Pour l'installer, ouvrir les loquets du réservoir et enlever le boîtier de moteur.
2. Soulever le porte-sac à poussière et le faire sortir pour l'enlever du réservoir.
3. Glisser l'entrée du sac à poussière en carton dans le porte-sac à poussière.



4. Pour réinsérer le porte-sac à poussière dans la rainure, le pousser vers le bas pour le fixer sur place.
5. Étendre le sac à poussière à l'intérieur du réservoir. Remplacer le boîtier de moteur et bien fermer tous les deux loquets.
6. Pour l'enlever, ouvrir les loquets du réservoir et enlever le boîtier de moteur.
7. Soulever le porte-sac à poussière et le faire sortir pour l'enlever du réservoir.
8. Glisser le porte-sac à poussière pour le séparer du sac à poussière.
9. Tirer sur la languette en carton jusqu'à ce que l'entrée du sac à poussière soit fermée. Le sac à poussière sera étanche maintenant et vous pourrez vous débarrasser de lui comme il faut.

Remplacer le sac à poussière en toison lorsque le sac est complètement rempli, la succion diminue ou le sac à poussière a subi des dommages.



Stockage

Avant de ranger votre aspirateur, vider et nettoyer le réservoir, le filtre et les accessoires. Débrancher l'aspirateur.

⚠️ AVERTISSEMENT

Pour minimiser les risques de blessures, débranchez toujours l'outil avant d'y effectuer des travaux de maintenance. Ne faites pas vous-même le démontage de l'outil. Consultez un centre de service MILWAUKEE accrédité pour toutes les réparations.

Entretien des filtres

Maintenir le filtre propre. Pour nettoyer le filtre, faire tourner le couvercle à gauche pour le déverrouiller du flotteur / du boîtier du moteur. Tirer sur le filtre pour le séparer de l'aspirateur. Pour vider les débris, le tenir à l'écart du visage de l'utilisateur et taper sur lui pour le nettoyer. Il est possible de nettoyer le filtre à l'aide de l'eau.

Si vous nettoyez les filtres à haute efficacité avec de l'eau, laissez le filtre sécher 24 heures avant de l'utiliser avec l'aspirateur. Remplacer le filtre s'il est endommagé ou si la puissance d'aspiration décroît (le filtre haute efficacité seul paquet, no de cat. 49-90-1977, 49-90-1978 ou le filtre en mousse seul paquet, no de cat. 49-90-1990).

Entretien de l'outil

Gardez l'outil en bon état en adoptant un programme d'entretien ponctuel. Inspectez votre outil pour des questions telles que le bruit excessif, de grippage des pièces mobiles, de pièces cassées ou toute autre condition qui peut affecter le fonctionnement de l'outil. Retournez votre outil à un centre de service MILWAUKEE accrédité pour obtenir le service. Après une période pouvant aller de 6 mois à un an, selon l'usage, retournez votre outil à un centre de service MILWAUKEE accrédité pour d'inspection.

⚠️ AVERTISSEMENT

Pour minimiser les risques de blessures, choc électrique et dommage à l'outil, n'immergez jamais l'outil et ne laissez pas de liquide s'y infiltrer.

Nettoyage

Débarassez les tous événements des débris et de la poussière. Gardez les outil propres, à sec et exempts d'huile ou de graisse. Le nettoyage doit se faire avec un linge humide et un savon doux. Certains nettoyants tels l'essence, la térébenthine, les diluants à laque ou à peinture, les solvants chlorés, l'ammoniac et les détergents d'usage domestique qui en contiennent pourraient détériorer le plastique et l'isolation des pièces. Ne laissez jamais de solvants inflammables ou combustibles auprès des outils.

Réparations

Si votre outil est endommagé, retourne l'outil entier au centre-service autorisé le plus proche.

⚠️ AVERTISSEMENT

L'usage d'accessoires autres que ceux qui sont spécifiquement recommandés pour cet outil peut comporter des risques.

Pour une liste complète des accessoires, visiter le site internet www.milwaukeetool.com ou contactez un distributeur.

Compatible with 0931-20 6,5 Tête de moteur à vide humide / sec HP de pointe

0922-20	Aspirateur de secs et humides réservoir de 23 L (6 gal)
0912-20	Aspirateur de secs et humides réservoir de 34 L (9 gal)
0932-20	Aspirateur de secs et humides réservoir de 45 L (12 gal)

SERVICE - CANADA

Milwaukee Tool (Canada) Ltd
1.800.268.4015

Monday-Friday, 7:00 AM - 4:30 PM CST
www.milwaukeetool.ca

GARANTIE LIMITÉE - AUX ÉTATS-UNIS ET AU CANADA

Chaque outil électrique* MILWAUKEE (voir les exceptions ci-dessous) est garanti uniquement à l'acheteur d'origine d'être exempt de tous défauts de matériau et de main-d'œuvre. Sous réserve de certaines exceptions, MILWAUKEE réparera ou remplacera toute pièce d'un outil électrique qui, après examen par MILWAUKEE, est affectée d'un vice de matériau ou de main-d'œuvre pendant une période de cinq (5) ans** après la date d'achat, sauf indication contraire. Il faudra retourner l'outil électrique à un centre de service en usine MILWAUKEE ou à un poste d'entretien agréé MILWAUKEE, en port prépayé et assuré. Une copie de la preuve d'achat doit être présentée lors du retour du produit. Cette garantie ne couvre pas les dommages que MILWAUKEE détermine d'être causés par des réparations ou des tentatives de réparation par quiconque d'autre que le personnel agréé par MILWAUKEE, des utilisations incorrectes, des altérations, des utilisations abusives, une usure normale, une carence d'entretien ou les accidents. Usure normale : Par rapport à plusieurs outils électriques, il faut remplacer et entretenir leurs pièces afin d'achever leur rendement optimal. Cette garantie ne couvre pas les cas de réparation lorsque la vie utile normale de la pièce s'est terminée, incluant, sans s'y limiter, les mandrins, les balais, les câbles, les patins de scie, les brides de lame, les joints toriques, les embouts, les butoirs, les lames d'entraînement, les pistons, les perceurs, les poussoirs et les rondelles de protection de butoir.

*Cette garantie ne s'applique pas aux cloueuses-agrafeuses pneumatiques, aux pulvérisateurs à peinture sans air, aux blocs-pics pour outils sans fil, aux générateurs d'alimentation portatifs à essence, aux outils à main, aux monte-charge électriques, à levier et à chaîne (manuel), aux vêtements chauffants M12™, aux produits résinés, ni aux produits d'essai et de mesure. Il y a d'autres garanties différentes disponibles pour ces produits.

**La période de garantie couvrant les radios de chantier, le port d'alimentation M12™, la source d'alimentation M18™, le ventilateur de chantier et les chariots de chantier industriels Trade Titan™ est d'une durée d'un (1) an à partir de la date d'achat. La période de la garantie pour les clés à chocs à couple élevé à poignée en « D » de 1" M18 FUEL™, les câbles de nettoyage de drain, les accessoires pour pistolet pneumatique de nettoyage de drains AIRSNAKE™, les niveaux laser USB REDLITHIUM™ et les furets de 0,3 m (25") TRAPSNAKE™ avec CABLE DRIVE™ est d'une durée de deux (2) ans à partir de la date d'achat. La période de la garantie pour le pistolet thermique compact M18™, l'extracteur de poussière de 30,3 l (8 gal), les clouuses de charpenterie M18™, la clé à chocs à couple contrôlé à enclume extérieure de 1/2" M18 FUEL™ avec ONE-KEY™, la clé à chocs à couple élevé de 1" M18 FUEL™ avec ONE-KEY™, le compresseur silencieux compact de 7,6 l (2 gal) M18 FUEL™, les niveaux laser M12™, le détecteur de laser de 19,8 m (165'), la clouuse à chevilles 23 GA M12™, la riveteuse aveugle de 6,4 mm (1/4") M18 FUEL™ avec ONE-KEY™, le tampon de pneus basse vitesse M12 FUEL™, les polisseuses à orbite aléatoire M18 FUEL™ et les agrafeuses utilitaires pour clôture M18™ est d'une durée de trois (3) ans à partir de la date d'achat. La période de la garantie pour la lumière à DEL d'une lampe de travail à DEL et l'ampoule transformée à DEL d'une lampe de travail est d'une durée égale à la vie utile du produit en raison des limites précédentes. Si la lumière à DEL ou l'ampoule à DEL tombe en panne durant l'usage normal, la pièce devra être remplacée gratuitement. L'inscription de la garantie n'est pas nécessaire pour bénéficier de la garantie en vigueur d'un outil électrique MILWAUKEE. La date de fabrication du produit servira à établir la période de garantie si aucune preuve d'achat n'est fournie lorsqu'une demande de service sous garantie est faite.

L'ACCEPTATION DES RECOURS EXCLUSIFS DE RÉPARATION ET DE REMPLACEMENT DÉCRITS PAR LA PRÉSENTE EST UNE CONDITION DU CONTRAT D'ACHAT DE TOUT PRODUIT MILWAUKEE. SI VOUS N'ACCEPTÉZ PAS CETTE CONDITION, VOUS NE DEVEZ PAS ACHETER LE PRODUIT. EN AUCUN CAS MILWAUKEE NE SAURAIT ÊTRE RESPONSABLE DE TOUT DOMMAGE ACCESSOIRE, SPÉCIAL OU INDIRECT, DE DOMMAGES INTÉRÊTS PUNITIFS OU DE TOUTE DÉPENSE, D'HONORAIRES D'AVOCATS, DE FRAIS, DE PERTE OU DE DÉLAIS ACCESSOIRES À TOUT DOMMAGE, DÉFAILLANCE OU DÉFAUT DE TOUT PRODUIT, Y COMPRIS NOTAMMENT LES PERTES DE PROFIT. CERTAINS ÉTATS ET PROVINCES NE PERMETTANT L'EXCLUSION OU LA LIMITATION DES DOMMAGES DIRECTS OU INDIRECTS, LES RESTRICTIONS CI-DESSOUS PEUVENT NE PAS ÊTRE APPLICABLES. CETTE GARANTIE EST EXCLUSIVE ET REMPLACE TOUTE AUTRE GARANTIE EXPRESSE, QU'ELLE SOIT VERBALE OU ÉCRITE. DANS LA MESURE PERMISE PAR LA LOI, MILWAUKEE RENONCE À TOUTE GARANTIE IMPLICITE, Y COMPRIS, SANS S'Y LIMITER, TOUTE GARANTIE IMPLICITE DE COMMERCIALISABILITÉ OU D'ADAPTATION À UNE UTILISATION OU À UNE FIN PARTICULIÈRE. DANS LA MESURE OU UNE TELLE STIPULATION D'EXONÉRATION N'EST PAS PERMISE PAR LA LOI, LA DURÉE DE CES GARANTIES IMPLICITES EST LIMITÉE À LA PÉRIODE APPLICABLE DE LA GARANTIE EXPRESSE, TELLE QUE CELA EST DÉCRIT PRÉCÉDEMMENT. CERTAINES PROVINCES NE PERMETTANT PAS DE LIMITATION DE DURÉE DES GARANTIES IMPLICITES, LES RESTRICTIONS CI-DESSUS PEUVENT NE PAS ÊTRE APPLICABLES. LA PRÉSENTE CONFÈRE À L'UTILISATEUR DES DROITS LÉGAUX PARTICULIERS: IL BÉNÉFICIE ÉGALEMENT D'AUTRES DROITS QUI VARIENT D'UNE PROVINCE À L'AUTRE. Cette garantie s'applique uniquement aux produits vendus aux États-Unis et au Canada.

Veuillez consulter l'ongle « Trouver un centre de service », dans la section « Pièces et service » du site web de MILWAUKEE, à l'adresse www.milwaukeeetool.com, ou composer le 1-800-SAWDUST (1-800-729-3878) afin de trouver le centre de service de votre région le plus proche pour l'entretien, sous garantie ou non, de votre outil électrique Milwaukee.

REGLAS DE SEGURIDAD GENERALES

⚠️ ADVERTENCIA AL UTILIZAR UNA ASPIRADORA ELÉCTRICA, SIEMPRE DEBEN SEGUIRSE PRECAUCIONES BÁSICAS. ANTES DE UTILIZAR LA ASPIRADORA, LEA ESTE MANUAL DEL OPERADOR, Y TODAS LAS ETIQUETAS DE LA ASPIRADORA. HACER CASO OMISO DE LAS ADVERTENCIAS E INSTRUCCIONES PODRÍA PROVOCAR UNA DESCARGA ELÉCTRICA, INCENDIO O LESIONES GRAVES.

SEGURIDAD EN EL ÁREA DE TRABAJO

- **Mantenga el área de trabajo limpia y bien iluminada.** Las áreas desordenadas u oscuras son lugares propensos para los accidentes.
- **Las aspiradoras tienen motores y otras partes que pueden producir chispas durante el uso normal.** No use el extractor a una distancia menor de 9 metros en áreas donde puede haber materiales explosivos (como por ejemplo, bombas a gasolina y lugares donde se almacenan líquidos, como disolventes, limpiadores, solventes, etc.).
- **No lo use en áreas donde hay polvos, líquidos o vapores explosivos.**
- **No lo use donde se utiliza oxígeno o anestésicos.**
- **No permita que se use como un juguete.** Debe prestar mucha atención cuando usa el extractor en un lugar donde hay niños cerca.
- **Ponga especial cuidado si lo usa en las escaleras.**

SEGURIDAD ELÉCTRICA

- **No manipule el enchufe ni el aparato con las manos húmedas.**
- **Los enchufes de la aspiradora deben coincidir con el tomacorriente. Nunca modifique el enchufe de ninguna manera. No utilice ningún adaptador de enchufe con aspiradoras puestas a tierra.** Unmodified plugs and matching outlets will reduce risk of electric shock.
- **Avoid body contact with earthed or grounded surfaces, such as pipes, radiators, ranges and refrigerators.** There is an increased risk of electric shock if your body is earthed or grounded.
- **Guárdese en interiores. No exponga las aspiradoras a la lluvia ni a condiciones húmedas.** Si se introduce agua en una herramienta eléctrica, aumentará el riesgo de descarga eléctrica.
- **No maltrate el cable. Nunca utilice el cable para transportar, jalar o desconectar la aspiradora. Mantenga el cable alejado del calor, el aceite, los bordes afilados o las partes en movimiento.** Los cables dañados o enredados aumentan el riesgo de descarga eléctrica.

- No utilice el cordón como empuñadura, no cierre una puerta encima del cable ni lo jale por bordes filosos ni esquinas. No pase el aparato sobre el cable. Mantenga el cable alejado de superficies calientes.
- No utilice el aparato si el cable o el enchufe están dañados. Si el aparato no funciona como debería, ha sufrido una caída, daños, se deja a la intemperie o cayó en agua, devuélvalo a un centro de servicio.
- Apague todos los controles antes de desconectar el aparato. No jale el cable para desconectar el aparato. Para desconectar el aparato, hágalo jalando del enchufe, no del cable.
- Al utilizar una aspiradora en exteriores, utilice una extensión idónea para su uso en exteriores. El uso de una extensión adecuada para el uso en exteriores disminuye el riesgo de descarga eléctrica.
- Si es inevitable usar una aspiradora en un lugar húmedo, utilice un alimentador de corriente protegido con un interruptor de circuito por falla de conexión a tierra (GFCI). El uso de un GFCI reduce el riesgo de descarga eléctrica.

PERSONAL SAFETY

- **MANTÉNGASE ALERTA.** Fíjese en lo que está haciendo y use el sentido común. No use el aspiradora si está cansado, distraído o bajo influencia de drogas, alcohol o medicamentos que puedan causarle una disminución del control.
- Es posible que mientras el aspiradora está en funcionamiento despida elementos extraños que pueden entrar en sus ojos y causarle una lesión ocular. Use siempre gafas o anteojos de seguridad con protección lateral cuando está operando un aspiradora.
- Utilice una mascarilla facial o use una solución de extracción de polvo que cumpla con las normas de OSHA cuando trabaje en condiciones de mucho polvo. Las partículas de polvo pueden dañar sus pulmones.
- No se estire demasiado. Manténgase bien parado y en equilibrio todo el tiempo. Esto le permite controlar mejor el aspiradora en situaciones inesperadas.
- Mantenga el cabello, la ropa suelta, los dedos y todas las partes del cuerpo alejadas de los orificios y piezas en movimiento.
- Uselos sólo como se describe en este manual. Use sólo los accesorios recomendados por el fabricante.
- Evite la activación accidental del producto. Asegúrese de que el interruptor esté en posición de apagado antes de conectar el aparato a la fuente de energía, levantar la aspiradora o transportarla. Transportar las aspiradoras mientras mantiene su dedo en el interruptor o energizar las aspiradoras que tengan el interruptor en la posición de encendido propicia los accidentes.
- Si se proporcionan dispositivos para la conexión de instalaciones de extracción y recolección de polvo, cerciórese de que estén conectados y se utilicen correctamente. El uso de dispositivos recolectores de polvo puede disminuir los riesgos relacionados con el polvo.
- No permita que la familiaridad por el uso frecuente de las herramientas lo hagan sentirse seguro e ignorar los principios de seguridad de las herramientas. Un descuido puede provocar lesiones graves en una fracción de segundo.

USO Y CUIDADO DE ASPIRADORA

- No use el extractor sin colocar en su lugar el recipiente para el polvo y/o el filtro.
- No lo use para aspirar líquidos o combustibles inflamables, como por ejemplo gasolina. No lo use en áreas donde esos líquidos puedan estar presentes.
- No aspire nada que se esté quemando ni echando humo, como cigarrillos, cerillas o cenizas calientes.
- No aspire polvo de hollín, cemento, yeso ni revoque sin que el filtro esté en su lugar. Estas son partículas muy finas que pueden afectar el desempeño del motor o bien ser expelidos al aire.
- Este producto es adecuado para la recolección de polvo de sílice cuando se utiliza de acuerdo con estas instrucciones. Para reducir el riesgo de peligros en la salud por inhalación de otros vapores o polvo, no aspire materiales tóxicos, cancerígenos ni otras sustancias peligrosas, como por ejemplo asbestos, arsénico, bario, berilio, plomo, pesticidas u otras sustancias que pongan en riesgo su salud.
- Ponga especial cuidado cuando vacía tanques muy cargados.
- Para evitar la combustión espontánea, vacíe el recipiente para el polvo después de cada uso.
- No deje la aspiradora desatendida mientras esté conectada. Desconéctela cuando no esté en uso y antes de darle mantenimiento.
- Desconecte el enchufe de la fuente de energía antes de realizar algún ajuste, cambiar los accesorios o guardar la aspiradora. Tales medidas preventivas de seguridad disminuyen el riesgo de que el aparato se encienda accidentalmente.
- No coloque ningún objeto en los orificios. No use con algún orificio bloqueado, manténgalo libre de polvo, pelusa, cabellos y de cualquier elemento que pueda disminuir la circulación del aire.
- Mantenimiento del aspiradora. Controle si hay algún defecto de alineación, traba de piezas móviles o cualquier otra condición que pueda afectar la operación de aspiradora. Si hay alguna avería, haga reparar el aspiradora antes de usarlo. Muchos accidentes se producen por herramientas en mal estado de conservación.

MANTENIMIENTO

- Lleve su aspiradora a mantenimiento con un técnico calificado que use únicamente piezas de repuesto idénticas. Esto asegurará que se mantenga la seguridad de la aspiradora.
- Este aparato cuenta con un aislamiento doble. Utilice únicamente piezas de repuesto idénticas. Consulte las instrucciones de mantenimiento de aparatos con aislamiento doble.
- No modifique ni intente reparar el aparato, salvo que así lo indiquen las instrucciones de uso y cuidado.

REGLAS ESPECIFICAS DE SEGURIDAD PARA CABEZAL DEL MOTOR DE LA ASPIRADORA DE RESIDUOS SECOS Y HUMEDOS

⚠️ ADVERTENCIA Para reducir el riesgo de descarga eléctrica, incendio o lesión física, utilice únicamente los tanques para aspiradora de residuos secos y húmedos de MILWAUKEE (Cat. No. 0922-20, 0912-20, 0932-20). Lea todas las instrucciones de operación.

• Nunca use la aspiradora si el tanque y/o los filtros no están instalados correctamente.

• Utilice protectores auditivos. La exposición al ruido puede causar pérdida auditiva.

• Para reducir el riesgo de descarga eléctrica, este aparato cuenta con un enchufe polarizado (una hoja es más ancha que la otra). Este enchufe coincidirá con el tomacorriente polarizado de una única manera. Si el enchufe no entra totalmente en el tomacorriente, gírelo. Si sigue sin entrar, comuníquese con un electricista profesional para que le instale un tomacorriente adecuado. No modifique el enchufe de ninguna manera.

• Este producto es adecuado para la recolección de polvo de sílice cuando se utiliza de acuerdo con estas instrucciones. Para reducir el riesgo de peligros en la salud por inhalación de otros vapores o polvo, no aspire materiales tóxicos, cancerígenos ni otras sustancias peligrosas, como por ejemplo asbestos, arsénico, bario, berilio, plomo, pesticidas u otras sustancias que pongan en riesgo su salud.

⚠️ ADVERTENCIA Para reducir el riesgo de lesiones, al momento de realizar trabajos en situaciones donde haya presencia de polvo, utilice la protección respiratoria adecuada o utilice una solución de extracción de polvo que cumpla con los requisitos de la OSHA.

• Válgase siempre de su sentido común y sea cuidadoso cuando utilice herramientas. No es posible anticipar todas las situaciones que podrían tener un desenlace peligroso. No utilice esta herramienta si no entiende estas instrucciones de uso o si considera que el trabajo a realizar supera sus capacidades, comuníquese con Milwaukee Tool o con un profesional capacitado para recibir capacitación o información adicional.

• **Conservar las etiquetas y las placas nominales.** Contienen información importante. Si son ilegibles o no están presentes, comuníquese con un centro de servicio MILWAUKEE para obtener un reemplazo gratuito.

⚠️ ADVERTENCIA Algunos polvos generados por el lijado eléctrico, aserrado, pulido, taladrado y otras actividades de construcción contienen químicos identificados como causantes de cáncer, defectos congénitos u otros daños reproductivos. Algunos ejemplos de estos químicos son:

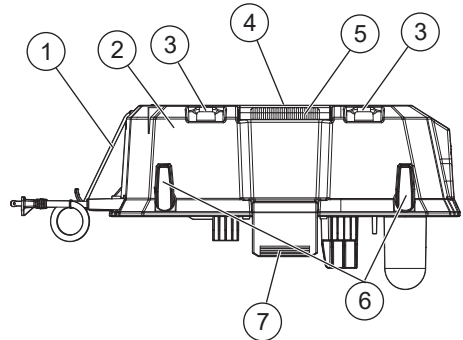
- plomo de pintura basada en plomo
- dióxido de silicio de los ladrillos y el cemento y otros productos de albañilería y
- arsénico y cromo de madera con tratamiento químico.

Su riesgo por estas exposiciones varía, dependiendo de la frecuencia con que realice este tipo de trabajo. Para reducir su exposición a estos químicos: trabaje en un área bien ventilada y trabaje con equipo de seguridad aprobado, como mascarillas protectoras contra polvo especialmente diseñadas para filtrar partículas microscópicas.

LEA Y CONSERVE TODAS LAS INSTRUCCIONES PARA CONSULTARLAS EN EL FUTURO

PARA USO DOMÉSTICO O COMERCIAL.

DESCRIPCION FUNCIONAL



1. Almacenamiento de manguera
2. Cabezal de motor de vacío húmedo/seco de 6,5 HP pico
3. Cintas de amarre con seguros
4. Gancho de almacenamiento de manguera (no se muestra)
5. Mango
6. Rebobinador de cable giratorio
7. Pestillos del tanque (frontales y traseros)

ESPECIFICACIONES

Cat. No..... **0931-20**
 Volts..... 120 AC
 Frecuencia..... 60 Hz
 Corriente..... 12 A
 Flujo de aire..... 68 litros por segundo
 Succión..... 22 kPa
 Temperatura ambiente recomendada
 para operar..... -18°C a 50°C (0°F a 125°F)

SIMBOLOGÍA

	Volts
	Corriente alterna
	Amperios
	Hertzios
	Doble aislamiento
	Leer el manual del operador
	Use protección para los ojos
	No paso
	Desbloquear
	Cerradura
	ENCENDIDO
	APAGADO
	UL Listing Mark para Canadá y Estados Unidos

EXTENSIONES ELECTRICAS

Las herramientas que deben conectarse a tierra cuentan con clavijas de tres patas y requieren que las extensiones que se utilicen con ellas sean también de tres cables. Las herramientas con doble aislamiento y clavijas de dos patas pueden utilizarse indistintamente con extensiones de dos a tres cables. El calibre de la extensión depende de la distancia que exista entre la toma de la corriente y el sitio donde se utilice la herramienta. El uso de extensiones inadecuadas puede causar serias caídas en el voltaje, resultando en pérdida de potencia y posible daño a la herramienta. La tabla que aquí se ilustra sirve de guía para la adecuada selección de la extensión. Mientras menor sea el número del calibre del cable, mayor será la capacidad del mismo. Por ejemplo, un cable calibre 14 puede transportar una corriente mayor que un cable calibre 16. Cuando use mas de una extensión para lograr el largo deseado, asegúrese que cada una tenga al menos, el mínimo tamaño de cable requerido. Si está usando un cable de extensión para mas de una herramienta, sume los amperes de las varias placas y use la suma para determinar el tamaño mínimo del cable de extensión.

Guías para el uso de cables de extensión

- Si está usando un cable de extensión en sitios al aire libre, asegúrese que está marcado con el sufijo "W-A" ("W" en Canadá) el cual indica que puede ser usado al aire libre.
- Asegúrese que su cable de extensión está correctamente cableado y en buenas condiciones eléctricas. Cambie siempre una extensión dañada o hágala reparar por una persona calificada antes de volver a usarla.
- Proteja su extensión eléctrica de objetos cortantes, calor excesivo o áreas mojadas.

Calibre mínimo recomendado para cables de extensiones eléctricas*					
Amperios (En la placa)	Largo de cable de Extensión en (m)				
	7,6	15,2	22,9	30,5	45,7
0 - 2,0	18	18	18	18	16
2,1 - 3,4	18	18	18	16	14
3,5 - 5,0	18	18	16	14	12
5,1 - 7,0	18	16	14	12	12
7,1 - 12,0	16	14	12	10	--
12,1 - 16,0	14	12	10	--	--
16,1 - 20,0	12	10	--	--	--

* Basado en limitar la caída en el voltaje a 5 volts al 150% de los amperios.

MANTENIMIENTO DE APARATOS CON AISLAMIENTO DOBLE

Un aparato con aislamiento doble está marcado con uno o más de los siguientes: Los términos "AISLAMIENTO DOBLE" o "DOBLEMENTE AISLADO" o bien, el símbolo de aislamiento doble (un cuadrado dentro de otro).

En lugar de puesta a tierra, un aparato con aislamiento doble cuenta con dos sistemas de aislamiento. Un aparato con aislamiento doble no cuenta con medios de puesta a tierra ni debe agregarse ninguno al aparato. Dar mantenimiento a un aparato con aislamiento doble exige que se tenga sumo cuidado, además de conocimientos del sistema, por lo que sólo debe realizarlo un técnico calificado. Las piezas de repuesto para un aparato con aislamiento doble deben ser idénticas a las piezas que se van a cambiar.

⚠ ADVERTENCIA Para reducir el riesgo de una lesión, desconecte siempre la herramienta antes de fijar o retirar accesorios, o antes de efectuar ajustes. Utilice sólo los accesorios específicamente recomendados. El uso de otros accesorios puede ser peligroso.

⚠ ATENCIÓN Mantenga el filtro limpio. La eficacia de la aspiradora depende mucho del filtro. Un filtro sucio reducirá el flujo de aire y la eficacia general del sistema. Retirar del tanque y toque limpio.

Instalación del cabezal del motor en el tanque

(Tanque Cat. No. 0922-20, 0912-20, 0932-20, no incluido)

1. Levante los pestillos delantero y trasero del tanque.
2. Alinee la entrada de aspiración dentro del portabolsa para polvo.
3. Fije los pestillos delantero y trasero.

Retiro / fijación del cable de alimentación

Para **quitarlo**, empuje el rebobinador de cable giratorio hacia adentro. El cable se retirará fácilmente del cabezal del motor.

Para **fijarlo**, dirija el rebobinador de cable giratorio hacia la dirección opuesta y enrolle el cable alrededor de él.

Retirar/instalar los filtros

Use únicamente el filtro de alta eficiencia o HEPA para aspirar residuos secos (paquete único, Cat. No 49-90-1977, 49-90-1978). Utilice el filtro de espuma **únicamente** para aspirar residuos líquidos (paquete único, Cat. No 49-90-1990).

1. Desconecte la aspiradora.
2. Libere los cierres del tanque y levante la carcasa del motor. Coloque boca abajo sobre una superficie plana.
3. Para **retirar** el filtro, gírelo media vuelta hacia la izquierda y sáquelo de la carcasa del motor/jaula de flotación.
4. Vacíe toda la basura del tanque.

AVISO Cuando corresponda, siga las directrices del sitio del trabajo que pertenecen al desecho de polvo de silicio.

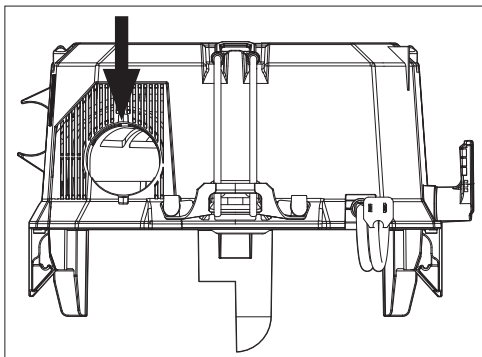
5. Para **instalar** el filtro, deslícelo por encima de la jaula de flotación. Alinee las pestañas del filtro con las muescas de la carcasa del motor y gírelo media vuelta hacia la derecha para fijarlo en su lugar.
6. Vuelva a colocar la carcasa del motor y fije ambos cierres.

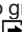
⚠ ADVERTENCIA Para reducir el riesgo de lesiones, lleve lentes de seguridad con protectores laterales y máscara antipolvo cuando use la aspiradora como sopladora. Limpie completamente el tanque antes de usar la unidad.

Aspirador/soplador

La aspiradora puede usarse para aspirar desechos o como soplador, dependiendo el puerto que use.


1. Para **aspirar** los desechos, inserte el extremo grande de la manguera en el puerto de entrada de la carcasa del motor, alineando las pestañas en la manguera con las muescas del puerto. Gire para fijar y formar un ajuste firme.




2. Para usar el **soplador**, inserte el extremo grande de la manguera en el puerto del soplador  de la carcasa del motor, alineando las pestañas en la manguera con las muescas del puerto. Gire para fijar y formar un ajuste firme.

⚠ ADVERTENCIA Utilice **únicamente** accesorios específicamente recomendados para esta herramienta. El uso de accesorios no recomendados podría resultar peligroso.

Instalación / retiro de la manguera

Para **instalar** la manguera, alinee las marcas en la manguera con la entrada de la aspiradora. Empújela y gire hacia la posición de bloqueo  para fijarla en su lugar.

Para **quitar** la manguera, gírela hacia la posición de desbloqueo  y júela para separarla de la entrada de la aspiradora.

Instalación/remoción de los accesorios

Para **instalar** las boquillas, mangueras o extensiones, empuje el accesorio en la entrada de la aspiradora.

Para **quitar** el accesorio, júelo para separarlo de la entrada de la aspiradora. Guarde los accesorios en el cabezal del motor o en las áreas de almacenamiento designadas en el carrito.

Instalación / retiro del adaptador de extracción de polvo

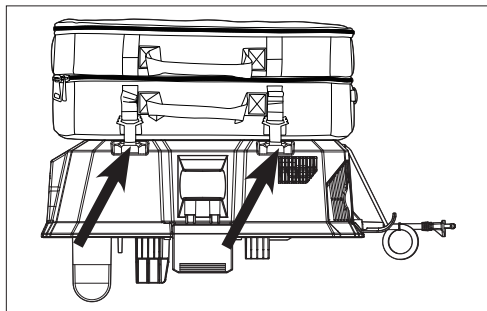
(Cat. no. 49-90-2000, no está incluido)

El adaptador de manguera de extracción de polvo se utiliza para conectar la manguera a una herramienta eléctrica en lugar de otro dispositivo de extracción de polvo, como es el caso de una bolsa para polvo. Para **instalar** el adaptador, quite las boquillas y los accesorios del extremo de la manguera. Tuerza el adaptador en la manguera hasta que esté bien apretado, esto para tener un ajuste seguro. Para **quitarlo**, siga el procedimiento al revés.

Instalación / retiro de la bolsa de almacenamiento de accesorios

(Cat. No. 49-90-2019, no incluido)

1. Para **instalarla**, asegúrese de que la parte superior de la carcasa del motor esté despejada.
2. Coloque bolsa de almacenamiento de accesorios encima de la carcasa del motor, con el logotipo hacia arriba.
3. Ubique los ganchos que se encuentran en la bolsa de almacenamiento de accesorios y fíjelos a las cintas de amarre con seguros que se encuentran en la carcasa del motor. **NOTA:** Hay 2 cintas de amarre con seguros en cada lado de la carcasa del motor, lo que representa un total de 4 cintas de amarre con seguros.



4. Para **quitarla**, desenganche la bolsa de almacenamiento de accesorios de la carcasa del motor y quítela.

OPERACIÓN

⚠ ADVERTENCIA Con el fin de minimizar el riesgo de lesiones, siempre utilice la protección de ojos adecuada indicada para cumplir con lo dispuesto en la norma ANSI Z87.1.

Al momento de realizar trabajos en situaciones donde haya presencia de polvo, utilice la protección respiratoria adecuada o utilice una solución de extracción de polvo que cumpla con los requisitos de la OSHA.

Para reducir el riesgo de incendio y lesiones, no use la herramienta para aspirar materiales inflamables ni combustibles.

Vacíe el tanque antes de usarlo.

Antes de usar, asegúrese de que el filtro y la jaula de flotación estén instalados correctamente.

Quite el filtro seco antes de realizar operaciones de aspirado de residuos líquidos.

Encender y apagar la aspiradora

Para **encender** la aspiradora, presione el interruptor a la posición de ENCENDIDO ON (I).

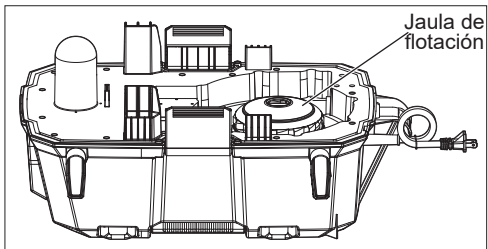
Para **apagar** la aspiradora, presione el interruptor a la posición de APAGADO OFF (O).

⚠ ATENCIÓN Si el flotador está limpio, se mueve libremente y la succión no se apaga cuando se llena el tanque, póngase en contacto con una instalación de servicio de MILWAUKEE para reparaciones. Un mal funcionamiento de la herramienta puede causar lesiones personales o daños a la propiedad.

Operación de aspirado en superficie húmeda

Para la operación de recogida en húmedo, se recomienda utilizar el filtro de espuma (paquete único, Cat. No 49-90-2015).

1. Desconecte la aspiradora.
2. Retire TODA la mugre y basura que encuentre en el tanque.
3. Quite el filtro de alta eficiencia e instale el filtro de espuma (consulte la sección "Retirar/instalar los filtros"). Asegúrese de que la jaula de flotación permanezca en su lugar.



4. Una jaula flotante desactiva la succión cuando el tanque está lleno. Asegúrese de que el flotador esté limpio y se mueva libremente en la jaula para verificar que la válvula de flotación funcione.
5. Conecte la aspiradora.
6. Encienda la aspiradora y comience a aspirar.

7. Apague la aspiradora inmediatamente después de terminar un trabajo de aspirado de material húmedo o cuando el tanque esté lleno y listo para vaciarse. Si se apaga la succión, apague la aspiradora inmediatamente y vacíe el tanque.
8. Desconecte la aspiradora.
9. Para vaciar el tanque, levante la manguera para drenar el exceso de líquido que quede en el tanque. No use la entrada de la aspiradora para drenar el líquido del interior de la aspiradora.
10. Retire la carcasa del motor y vacíe el desecho líquido en un drenaje apropiado.
11. Limpie el interior del tanque y accesorios de aspirado periódicamente; con mayor frecuencia cuando se utilice para aspirar materiales húmedos y pegajosos. Use agua tibia y jabonosa. No guarde la aspiradora si todavía tiene líquido en su interior.

Apagado de succión automático

Cuando aspire líquidos, un flotador interno se eleva hasta que se aloja contra un sello en la entrada del motor, apagando la succión. Cuando esto sucede, el motor hará un ruido con un tono más alto que lo normal y se reducirá drásticamente la succión. Si esto ocurre, apague inmediatamente la aspiradora. No apagar la unidad después de que se eleva el flotador y se apaga la succión provocará un daño al motor.

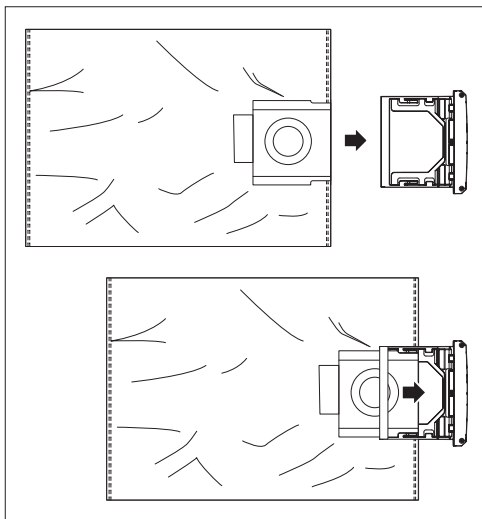
AVISO Para seguir usando, vacíe el desecho líquido del tanque.

Si la aspiradora se inclina accidentalmente, podría perder fuerza de succión. Apague la aspiradora y regrésela a la posición recta. El flotador regresará a su posición normal.

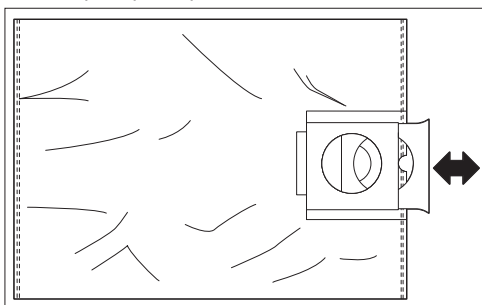
Instalación / retiro de la bolsa para polvo de lana

Para gozar de una vida útil más larga en su filtro y mayor facilidad de limpieza, utilice una bolsa para polvo de lana para levantar las partículas finas de polvo (paquete individual, Cat. No. 49-90-1979).

1. Para **instalar**, libere los pestillos del tanque y retire la carcasa del motor.
2. Levante el soporte de la bolsa para polvo y sáquelo para retirarlo del tanque.
3. Deslice la entrada de la bolsa para polvo de cartón dentro del soporte de bolsa para polvo.



4. Vuelva a colocar el soporte de la bolsa para polvo dentro de la ranura empujándolo hacia abajo para fijarlo en su lugar.
 5. Extienda la bolsa para polvo al interior del tanque. Cambie la carcasa del motor y fije ambos pestillos.
 6. Para **quitarla**, abra los pestillos del tanque y quite la carcasa del motor.
 7. Levante el soporte de la bolsa para polvo y sáquelo para quitarlo del tanque.
 8. Deslice el soporte de bolsa para polvo para sacarlo de la bolsa.
 9. Jale la lengüeta de cartón hasta que la entrada de la bolsa para polvo esté cerrada. La bolsa para polvo ya estará sellada y podrá deshacerse de ella como se debe.
- Cambie la bolsa para polvo de lana cuando esté completamente llena, la potencia de succión baje o la bolsa para polvo presente daños.



Almacenamiento

Antes de guardar la aspiradora, vacíe y limpie el tanque, el filtro y los accesorios. Desconecte la aspiradora.

⚠️ ADVERTENCIA Para reducir el riesgo de lesiones, desconecte siempre la herramienta antes de darle cualquier mantenimiento. Nunca desarme la herramienta. Acuda a un Centro de Servicio MILWAUKEE para TODAS las reparaciones.

Nunca use la aspiradora si el tanque y/o los filtros no están instalados correctamente.

Mantenimiento de filtros

Mantenga el filtro limpio. Para limpiar el filtro, gire la tapa del filtro a la izquierda para liberarlo de la carcasa del motor / la jaula de flotación. Jale el filtro para separarlo de la aspiradora. Para vaciar los residuos, sosténgalo lejos de la cara del usuario y péguete para limpiarlo. Podrá usar agua para limpiar el filtro. Si limpia filtros de alta eficiencia con agua, deje que el filtro se seque 24 horas antes de usarlo con aspiradora. Cambie el filtro si presenta daños o si hay una reducción en la potencia de succión (el filtro de alta eficiencia paquete único, Cat. No. 49-90-1977, 49-90-1978 o el filtro de espuma paquete único, Cat. No. 49-90-1990).

Mantenimiento de las herramientas

Adopte un programa regular de mantenimiento y mantenga su herramienta en buenas condiciones. Inspeccione la herramienta para problemas como ruidos indebidos, desalineadas o agarrrotadas de partes móviles, piezas rotas o cualquier otra condición que pueda afectar el funcionamiento de la herramienta. Envíe su herramienta al Centro de Servicio MILWAUKEE para reparación. Después de 6 meses a un año, dependiendo del uso dado, envíe su herramienta al Centro de Servicio MILWAUKEE más cercano para la inspección.

⚠️ ADVERTENCIA Para reducir el riesgo de lesiones, descarga eléctrica o daño a la herramienta, nunca la sumerja en líquidos ni permita que estos fluyan dentro de la misma.

Limpieza

Limpie el polvo y suciedad de las cualquier ventilas. Mantenga los herramienta, limpios, secos y libres de aceite o grasa. Use solo jabón neutro y un trapo húmedo para limpiar, ya que algunos substancias y solventes limpiadores son dañinos a los plásticos y partes aislantes. Algunos de estos incluyen: gasolina, turpentina, thinner, lacas, thinner para pinturas, solventes para limpieza con cloro, amoníaco y detergentes caseros que tengan amonia. Nunca usa solventes inflamables o combustibles cerca de una herramienta.

Reparaciones

Si su herramienta se daña, vuelva la herramienta entero al más cercano centro servicio autorizado.

⚠️ ADVERTENCIA Utilice sólo los accesorios específicamente recomendados. Otros accesorios puede ser peligroso.

Para una lista completa de accesorios, visite nuestro sitio en Internet: www.milwaukeetool.com o póngase en contacto con un distribuidor.

Compatible with Cabezal de motor de vacío húmedo/seco de 6,5 HP pico	
0922-20	Aspiradora de residuos secos/húmedos tanque de 23 L (6 gal)
0912-20	Aspiradora de residuos secos/húmedos tanque de 34 L (9 gal)
0932-20	Aspiradora de residuos secos/húmedos tanque de 45 L (12 gal)

SOPORTE DE SERVICIO - MEXICO

CENTRO DE ATENCION A CLIENTES

Techtronic Industries Mexico, S.A. de C.V.

Av. Presidente Masarik 29 Piso 7

11560 Polanco V Seccion

Miguel Hidalgo, Distrito Federal, México

01 (800) 030-7777 o (55) 4160-3540

Lunes a Viernes (9am a 6pm)

O contáctanos en www.milwaukeetool.com.mx

GARANTÍA LIMITADA - E.U.A. Y CANADÁ

Cada herramienta eléctrica de MILWAUKEE (ver excepciones a continuación) está garantizada para el comprador original únicamente de que no tenga material y mano de obra defectuosos. Sujeto a ciertas excepciones, MILWAUKEE reparará o reemplazará cualquier parte en una herramienta eléctrica que tenga defectos de material o mano de obra según lo determine MILWAUKEE mediante una revisión, por un periodo de cinco (5) años** después de la fecha de compra a menos que se indique lo contrario. Al devolver la herramienta eléctrica a un Centro de Servicio de la fábrica de MILWAUKEE o a una Estación de Servicio Autorizada de MILWAUKEE, se requiere que el flete esté pagado por adelantado y asegurado. Se debe incluir una copia del comprobante de compra con el producto devuelto. Esta garantía no aplica a daños que MILWAUKEE determine que son ocasionados por reparaciones o intentos de reparaciones realizados por una persona que no sea personal autorizado de MILWAUKEE, uso indebido, alteraciones, maltrato, desgaste normal, falta de mantenimiento o accidentes.

Desgaste normal: Muchas herramientas eléctricas necesitan un reemplazo periódico de partes y servicio para lograr el mejor desempeño. Esta garantía no cubre la reparación cuando el uso normal haya agotado la vida de una parte, incluyendo sin limitar a mandriles, cepillos, cables, zapatas de la sierra, abrazaderas de la hoja, juntas tóricas, sellos, protectores, hojas de desatornilladores, pistones, herrajes, levatatadores y arandelas de cubierta de los protectores.

*Esta garantía no cubre clavadoras y grapadoras neumáticas, pistola de pintura a presión, baterías inalámbricas, generadores de energía portátil de gasolina, herramientas de mano, palanca y cadena de mano de polipasto - eléctricas, prendas calefactadas M12™, producto reacondicionado y productos de prueba y medición. Están disponibles distintas garantías independientes para estos productos.

**La vigencia de la garantía para los radios para obra, el puerto de energía M12™, la fuente de poder M18™, el ventilador para obra y las cartillas de trabajo industrial Trade Titan™ es de un (1) año a partir de la fecha de compra. La vigencia de la garantía para las llaves de impacto de alto torque con empuñadura en D de 1" M18 FUEL™, los cables de limpieza de drenajes, los accesorios de la pistola de aire para limpieza de drenajes AIRSNAKE™, los niveles láser USB REDLITHIUM™ y el barreno de 0.3 m (25") TRAPSAKE con CABLE DRIVE™ es de dos (2) años a partir de la fecha de compra. La vigencia de la garantía para la pistola de calor compacta M18™, el extractor de polvo de 30,3 l (8 gal.), las clavadoras de entramado M18™, la llave de impacto de torque controlado con yunque exterior de 1/2" M18 FUEL™ con ONE-KEY™, la llave de impacto de alto torque de 1" M18 FUEL™ con ONE-KEY™, el compresor silencioso compacto de 7.6 l (2 gal.) M18 FUEL™, los niveles láser M12™, el detector de láser de 19,8 m (165'), la clavadora de broches 23GA M12™, la ribeteadora ciega de 6,4 mm (1/4") M18 FUEL™ con ONE-KEY™, el raspador de neumáticos de baja velocidad M12 FUEL™, las pulidoras de órbita aleatoria M18 FUEL™ y la engrapadora multiusos para cerca M18™ es de tres (3) años a partir de la fecha de compra. La vigencia de la garantía para la luz LED de la lámpara de trabajo LED y del bulbo mejorado de LED de la lámpara de trabajo es de la vida útil del producto sujeto a las limitaciones anteriores. Si la luz LED o el bulbo LED falla durante el uso normal, se cambiará la pieza sin costo. No es necesario realizar el registro de la garantía para recibir la garantía correspondiente a un producto de herramienta eléctrica de MILWAUKEE. La fecha de fabricación del producto servirá para determinar la vigencia de la garantía si no se presenta ningún comprobante de compra al solicitar el servicio en garantía.

LA ACEPTACIÓN DE LOS RESARCIMIENTOS EXCLUSIVOS DE REPARACIÓN Y SUSTITUCIÓN AQUÍ DESCRITOS ES UNA CONDICIÓN DEL CONTRATO EN CUANTO A LA COMPRA DE TODO PRODUCTO DE MILWAUKEE. SI USTED NO ACEPTA ESTA CONDICIÓN, NO DEBE COMPRAR EL PRODUCTO. MILWAUKEE NO SERÁ RESPONSABLE EN NINGÚN CASO DE DAÑOS INCIDENTALES, ESPECIALES, EMERGENTES O PUNITIVOS NI DE NINGÚN COSTO, HONORARIOS DE ABOGADOS, GASTOS, PÉRDIDAS O DEMORAS QUE SUPUESTAMENTE SEAN CONSECUENCIA DE ALGÚN DAÑO, FALLA O DEFECTO DE ALGUNO DE LOS PRODUCTOS, INCLUYENDO, ENTRE OTROS, RECLAMACIONES POR PÉRDIDA DE UTILIDADES. ALGUNOS ESTADOS NO PERMITEN LA EXCLUSIÓN O LIMITACIÓN DE RESPONSABILIDAD POR DAÑOS

INCIDENTALES O EMERGENTES, POR LO QUE LA ANTERIOR LIMITACIÓN O EXCLUSIÓN PODRÍA NO APLICARSE EN SU CASO. ESTA GARANTÍA ES EXCLUSIVA Y SUSTITUYE TODAS LAS DEMAS GARANTÍAS EXPRESAS, SEAN ESTAS ESCRITAS U ORALES. HASTA DONDE PERMITA LA LEY, MILWAUKEE DESCONOCE CUALQUIER GARANTÍA IMPLÍCITA, INCLUYENDO SIN LIMITACIÓN CUALQUIER GARANTÍA IMPLÍCITA DE COMERCIABILIDAD O IDONEIDAD PARA UN FIN O USO ESPECÍFICO; HASTA EN QUE DICHO DESCONOCIMIENTO NO SEA PERMITIDO POR LA LEY, DICHAS GARANTÍAS IMPLÍCITAS SE LIMITAN A LA DURACIÓN DE LA GARANTÍA EXPRESA CORRESPONDIENTE SEGÚN LO ARRIBA DESCRITO. ALGUNOS ESTADOS NO PERMITEN LIMITACIONES EN LA VIGENCIA DE UNA GARANTÍA IMPLÍCITA, POR LO QUE LA ANTERIOR LIMITACIÓN PUDIERA NO APLICAR A USTED. ESTA GARANTÍA LE CONFIERE DERECHOS JURÍDICOS ESPECÍFICOS Y USTED PODRÍA, ADEMÁS, TENER OTROS DERECHOS QUE VARIAN SEGÚN EL ESTADO.

Esta garantía aplica únicamente a los productos vendidos en EE. UU. y Canadá.

Consulte la pestaña "Búsqueda de centro de servicio" en la sección de "Piezas y servicio" del sitio web de MILWAUKEE en www.milwaukeekeetool.com o llame al 1.800.SAWDUST (1.800.729.3878) para localizar su centro de servicio más cercano para darle servicio con y sin garantía a una herramienta eléctrica de Milwaukee.

PÓLIZA DE GARANTÍA - VALIDA SOLO PARA MEXICO, AMÉRICA CENTRAL Y EL CARIBE

La garantía de TECHTRONIC INDUSTRIES es por 5 años a partir de la fecha original de compra.

Esta tarjeta de garantía cubre cualquier defecto de material y mano de obra en ese Producto.

Para hacer válida esta garantía, presente esta tarjeta de garantía, cerrada/sellada por el distribuidor o la tienda donde compró el producto, al Centro de Servicio Autorizado (ASC). O, si esta tarjeta no se ha cerrado/sellado, presente la prueba original de compra a ASC. Llame 55 4160-3547 para encontrar el ASC más cercano, para servicio, partes, accesorios o componentes.

Procedimiento para hacer válida esta garantía

Lleve el producto a ASC, junto con la tarjeta de garantía cerrada/sellada por el distribuidor o la tienda donde compró el producto, y cualquier pieza o componente defectuoso se reemplazará sin costo para usted. Cubriremos todos los costos de flete con relación a este proceso de garantía

Excepciones

Esta garantía no tendrá validez en las siguientes situaciones:

- Quando el producto se use de manera distinta a la que indica el manual del usuario final o de instrucciones.
- Quando las condiciones de uso no sean normales.
- Quando otras personas no autorizadas por TECHTRONIC INDUSTRIES modifiquen o reparen el producto.

Nota: si el juego de cables está dañado, tiene que reemplazarse en un Centro de Servicio Autorizado para evitar riesgos eléctricos.

CENTRO DE SERVICIO Y ATENCIÓN

Llame al 55 4160-3547

IMPORTADO Y COMERCIALIZADO POR
TECHTRONIC INDUSTRIES, MÉXICO, S.A. DE C.V.
Miguel de Cervantes Saavedra No.301 Piso 5, Torre Norte
11520 Colonia Ampliación Granada
Miguel Hidalgo, Ciudad de Mexico, Mexico

Modelo: _____

Fecha de Compra: _____

Sello del Distribuidor: _____

MILWAUKEE TOOL
13135 West Lisbon Road
Brookfield, WI 53005 USA