

- Unbalanced poppet standard
- Solid control piston with lip seal for extended life
- Non-rising adjusting knob
- Compact, 2.88 inch (73.2mm) high by 1.65 inch (42mm) wide
- Easily serviced
- 14R: 1/8" & 1/4" ports (NPT, BSPP & BSPT)
- 15R: 1/4" & 3/8" ports (NPT, BSPP & BSPT)



14R



15R

Material specifications




Adjusting nut	Brass
Adjusting stem & spring	Steel
Body	Zinc
Bonnet, seat, piston & valve poppet	Plastic
Seals	Nitrile

Operating information

	14R (Mini), 15R (Economy)
Pressure rating:	0 to 300 PSIG (0 to 20.4 bar)
Temperature rating:	32°F to 125°F (0°C to 52°C)
Low temperature:	-4°F to 125°F (-20°C to 52°C)
Secondary pressure ranges –	
Standard pressure	2 to 125 PSIG (0 to 8.6 bar)
Medium pressure	1 to 60 PSIG (0 to 4.1 bar)
Medium pressure	1 to 30 PSIG (0 to 2.1 bar)
Low pressure	1 to 15 PSIG (0 to 1 bar)
For technical information see CD	

Regulators



	Port size	Pressure range	Flow SCFM	Part number (NPT)	
				Without gauge	With gauge
 14R	1/8"	30 PSIG	13	14R010FC	14R015FC
	1/8"	60 PSIG	13	14R011FC	14R016FC
	1/8"	125 PSIG	13	14R013FC	14R018FC
	1/4"	30 PSIG	15	14R110FC	14R115FC
 14R	1/4"	60 PSIG	15	14R111FC	14R116FC
	1/4"	125 PSIG	15	14R113FC	14R118FC
	1/4"	30 PSIG	21	15R110FA	15R115FA
 15R	1/4"	60 PSIG	21	15R111FA	15R116FA
	1/4"	125 PSIG	21	15R113FA	15R118FA
	3/8"	30 PSIG	28	15R210FA	15R216FA
	3/8"	60 PSIG	28	15R211FA	15R215FA
	3/8"	125 PSIG	28	15R213FA	15R218FA

* Engineering level will be added at factory.

WARNING

Product rupture can cause serious injury.
 Do not connect regulator to bottled gas.
 Do not exceed maximum primary pressure rating.

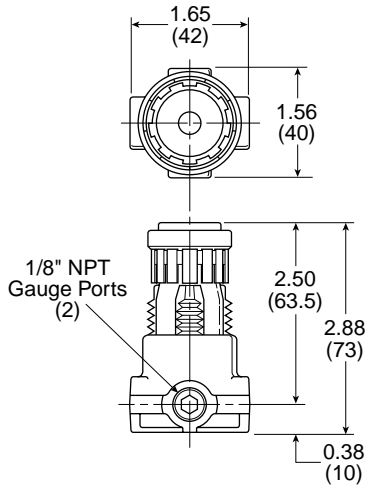
CAUTION: REGULATOR PRESSURE ADJUSTMENT –

The working range of knob adjustment is designed to permit outlet pressures within their full range. Pressure adjustment beyond this range is also possible because the knob is not a limiting device. This is a common characteristic of most industrial regulators, and limiting devices may be obtained only by special design. For best performance, regulated pressure should always be set by increasing the pressure up to the desired setting.

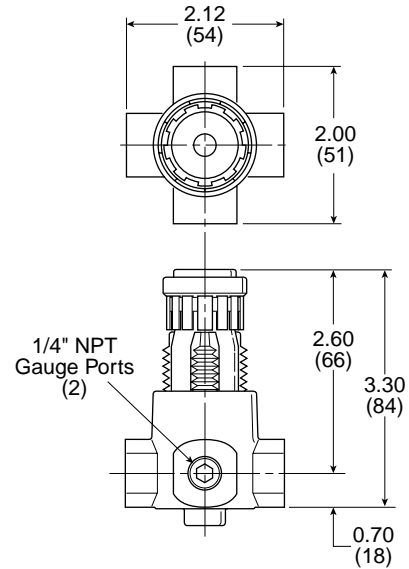
 Most popular.



14R (Mini)



15R (Economy)



Service kits

Description	14R (Mini)	15R (Economy)
Body service kit – unbalanced		PS424BP
Bonnet assembly kit	L01369	L01369
Bonnet tamperproof kit	P01265	
Gauges –		
30 PSIG, 1/8" NPT (0 to 2.1 bar)	K4515N18030	K4515N18030
60 PSIG, 1/8" NPT (0 to 4.1 bar)	K4515N18060	K4515N18060
160 PSIG, 1/8" NPT (0 to 11.0 bar)	K4515N18160	K4515N18160
60 PSIG, 1/4" NPT (0 to 4.1 bar)	K4520N14060	K4520N14060
160 PSIG, 1/4" NPT (0 to 11.0 bar)	K4520N14160	K4520N14160
Mounting bracket kit (includes panel mount nut)	PS417BP	PS417BP
Panel mount nuts –		
Plastic	P78652	P78652
Metal	P01531	P01531
Poppet / piston kits –		
Unbalanced, non-relieving	PS428P	
Unbalanced, relieving	PS426P	
Seal kit	Unbalanced	PS454B
Springs –		
1-15 PSIG range (Yellow)	P01176	P01176
1-30 PSIG range (Black)	P01175	P01175
1-60 PSIG range (White)	P01174	P01174
2-125 PSIG range (Gold)	P01173	P01173



General Industrial
 Air Preparation Products

Liquid
 Separators

Particulate
 Filters

Coalescing
 Filters

Regulators

Pilot
 Regulators

Filter /
 Regulators

Micro-Mist
 Lubricators

Mist
 Lubricators

Combinations