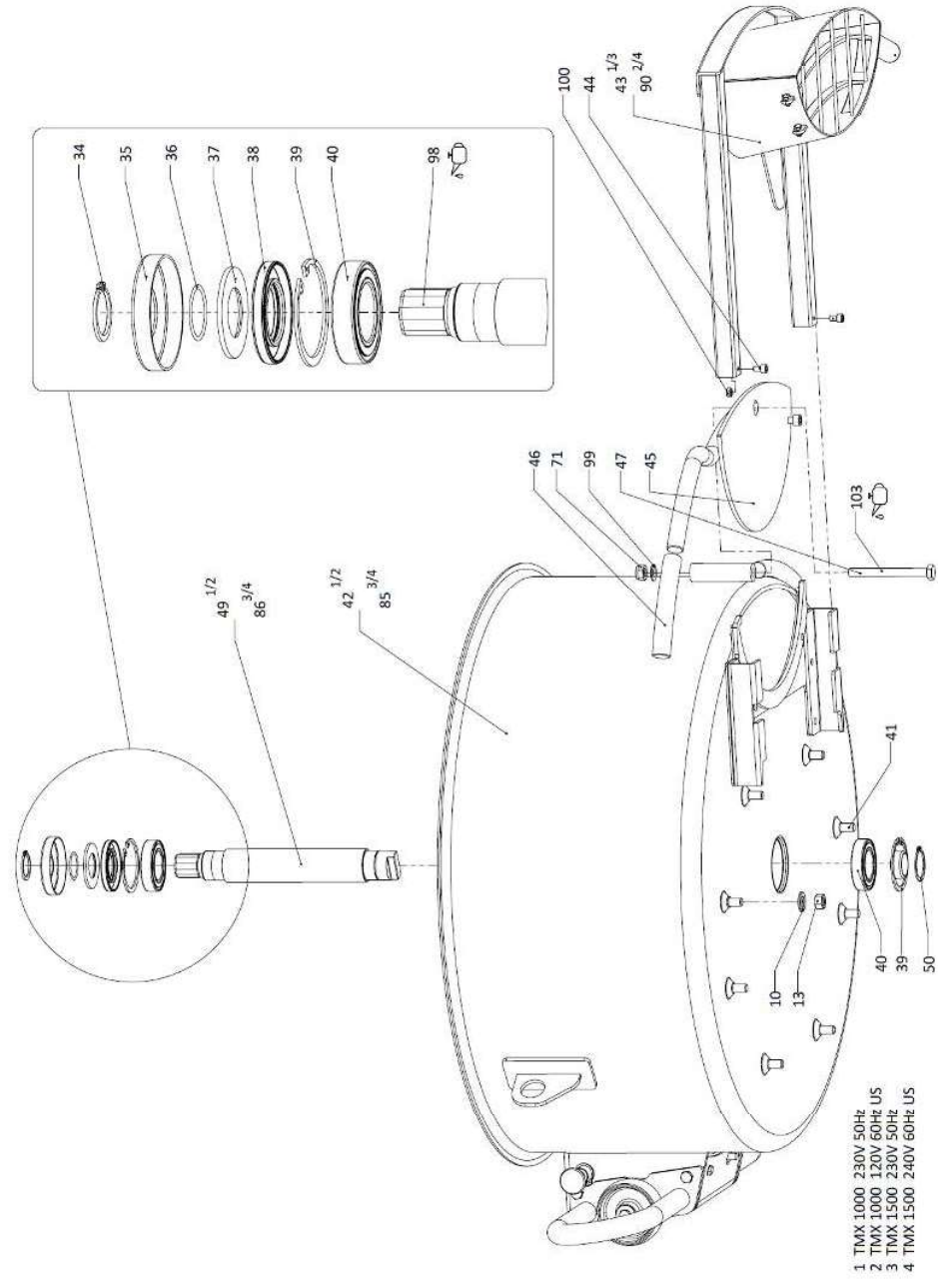


Ersatzteilpreislise | Spare parts price | Tarif pièces détachée



Kompaktmischer Collomatic TMX 1000/1500

01.02.2023 Seite 1/12



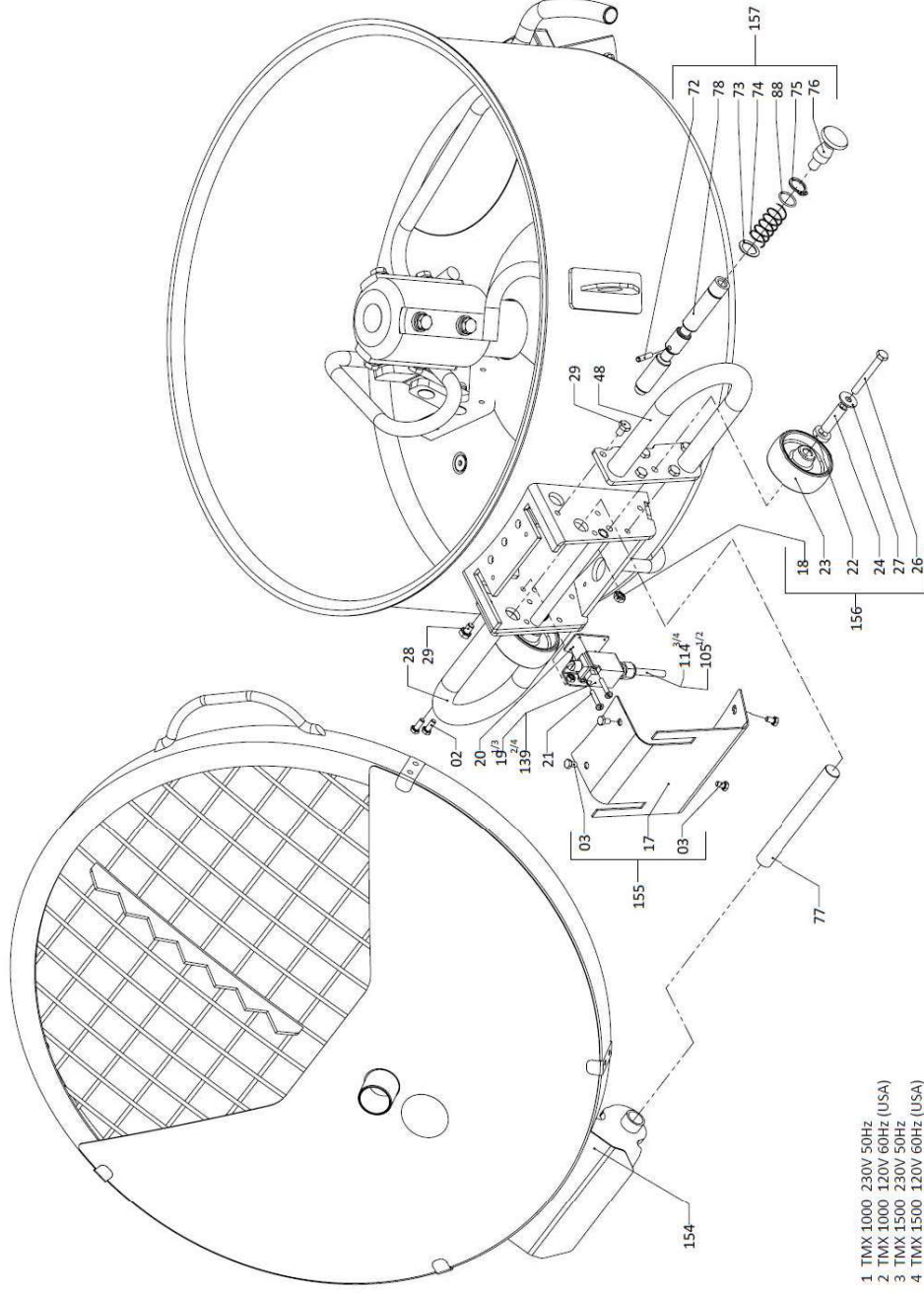
- 1. TMX 1000 230V 50Hz
- 2. TMX 1000 120V 60Hz US
- 3. TMX 1500 230V 50Hz
- 4. TMX 1500 240V 60Hz US

Collomix GmbH
 Postfach 11 46 D-85078 Gaimersheim
 Daimlerstraße 9 D-85080 Gaimersheim
 GLN 40 11024 00000 2 EORI DE2984431

Telefon: +49 (8458) 3298-0
 Telefax: +49 (8458) 3298-30
 E-Mail: info@collomix.de
 Internet: www.collomix.de

Geschäftsführer:
 Alexander Essing
 Registergericht Ingolstadt HRB 127
 Steuer Nr. 124/123/60018

Sparkasse Ingolstadt
 IBAN DE66 7215 0000 0000 1006 10
 BIC BYLADEM11ING
 Ust-IdNr. DE128579719



- 1 TMX 1000 230V 50Hz
- 2 TMX 1000 120V 60Hz (USA)
- 3 TMX 1500 230V 50Hz
- 4 TMX 1500 120V 60Hz (USA)

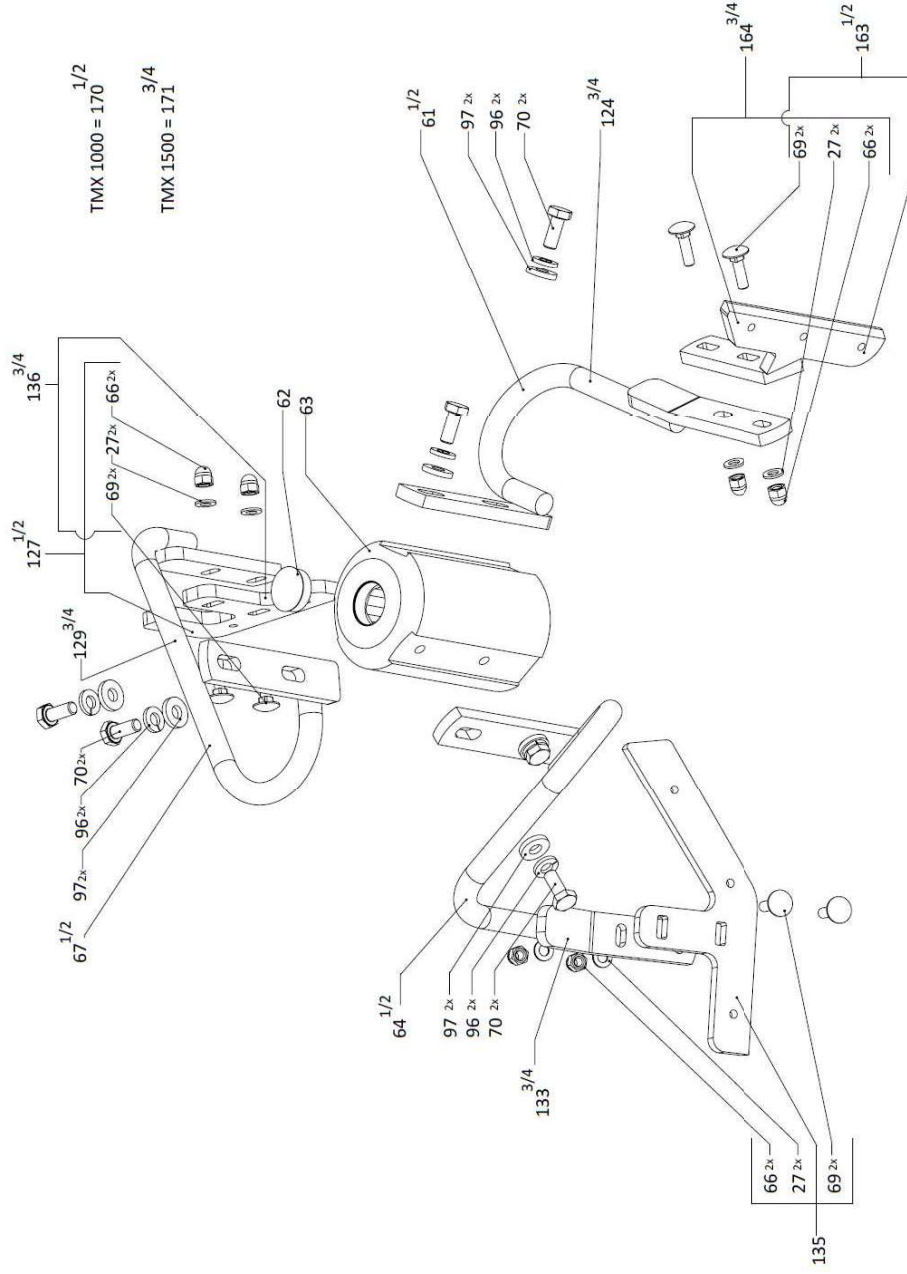
Collomix GmbH
 Postfach 11 46 D-85078 Gaimersheim
 Daimlerstraße 9 D-85080 Gaimersheim
 GLN 40 11024 00000 2 EORI DE2984431

Collomix GmbH
 Telefon: +49 (8458) 3298-0
 Telefax: +49 (8458) 3298-30
 E-Mail: info@collomix.de
 Internet: www.collomix.de

Geschäftsführer:
 Alexander Essing
 Registergericht Ingolstadt HRB 127
 Steuer Nr. 124/123/60018

Sparkasse Ingolstadt
 IBAN DE66 7215 0000 0000 1006 10
 BIC BYLADEM11ING
 Ust-IdNr. DE128579719

Kompaktmischer Collomatic TMX 1000/1500



TMX 1000 = 170 ^{1/2}
 TMX 1500 = 171 ^{3/4}

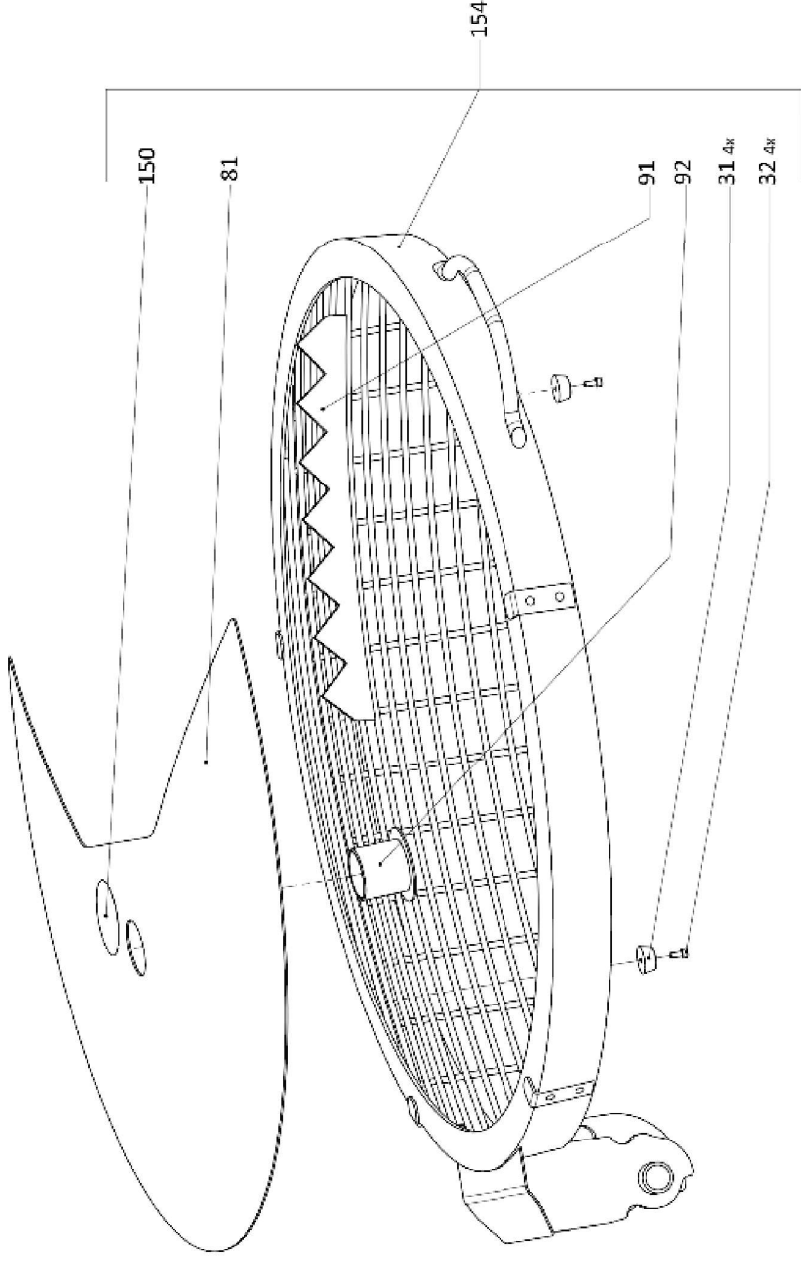
- 1. TMX 1000 230V 50Hz
- 2. TMX 1000 120V 60Hz US
- 3. TMX 1500 230V 50Hz
- 4. TMX 1500 240V 60Hz US

Collomix GmbH
 Postfach 11 46 D-85078 Gaimersheim
 Daimlerstraße 9 D-85080 Gaimersheim
 GLN 40 11024 00000 2 EORI DE2984431

Telefon: +49 (8458) 3298-0
 Telefax: +49 (8458) 3298-30
 E-Mail: info@collomix.de
 Internet: www.collomix.de

Geschäftsführer:
 Alexander Essing
 Registergericht Ingolstadt HRB 127
 Steuer Nr. 124/123/60018

Sparkasse Ingolstadt
 IBAN DE66 7215 0000 0000 1006 10
 BIC BYLADEM11ING
 Ust-IdNr. DE128579719



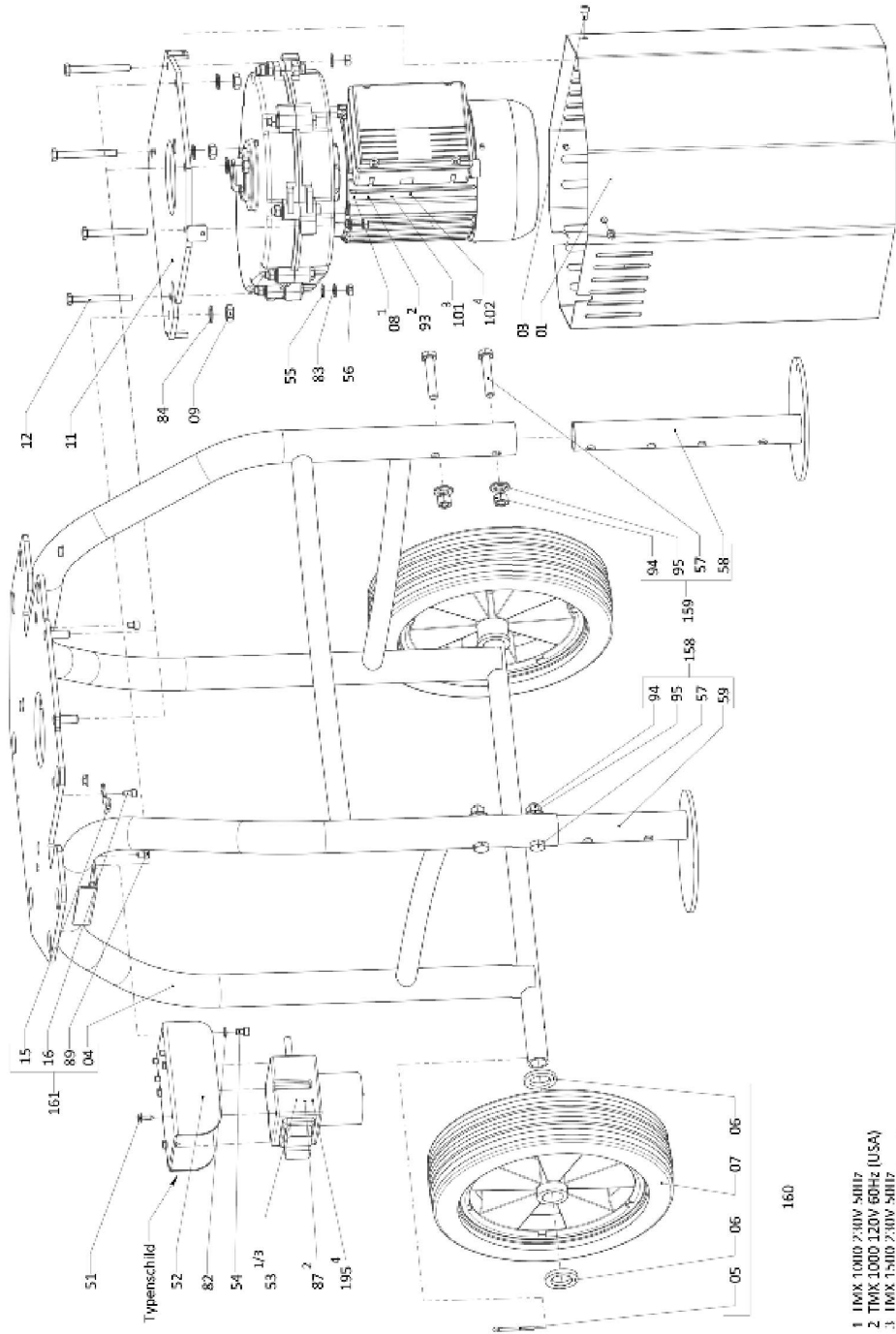
Collomix GmbH
Postfach 11 46 D-85078 Gaimersheim
Daimlerstraße 9 D-85080 Gaimersheim
GLN 40 11024 00000 2 EORI DE2984431

Telefon: +49 (8458) 3298-0
Telefax: +49 (8458) 3298-30
E-Mail: info@collomix.de
Internet: www.collomix.de

Geschäftsführer:
Alexander Essing
Registergericht Ingolstadt HRB 127
Steuer Nr. 124/123/60018

Sparkasse Ingolstadt
IBAN DE66 7215 0000 0000 1006 10
BIC BYLADEM11ING
Ust-IdNr. DE128579719

Kompaktmischer Collomatic TMX 1000/1500

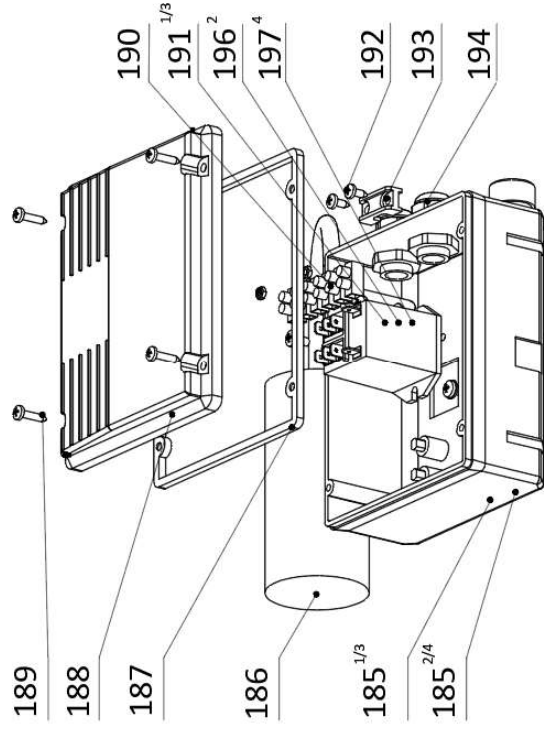


Collomix GmbH
 Postfach 11 46 D-85078 Gaimersheim
 Daimlerstraße 9 D-85080 Gaimersheim
 GLN 40 11024 00000 2 EORI DE2984431

Telefon: +49 (8458) 3298-0
 Telefax: +49 (8458) 3298-30
 E-Mail: info@collomix.de
 Internet: www.collomix.de

Geschäftsführer:
 Alexander Essing
 Registergericht Ingolstadt HRB 127
 Steuer Nr. 124/123/60018

Sparkasse Ingolstadt
 IBAN DE66 7215 0000 0000 1006 10
 BIC BYLADEM11ING
 Ust-IdNr. DE128579719



- 1 TMX 1000 230V 50Hz
- 2 TMX 1000 120V 60Hz (USA)
- 3 TMX 1500 230V 50Hz
- 4 TMX 1500 240V 60Hz (USA)

Collomix GmbH
Postfach 11 46 D-85078 Gaimersheim
Daimlerstraße 9 D-85080 Gaimersheim
GLN 40 11024 00000 2 EORI DE2984431

Telefon: +49 (8458) 3298-0
Telefax: +49 (8458) 3298-30
E-Mail: info@collomix.de
Internet: www.collomix.de

Geschäftsführer:
Alexander Essing
Registergericht Ingolstadt HRB 127
Steuer-Nr. 124/123/60018

Sparkasse Ingolstadt
IBAN DE66 7215 0000 0000 1006 10
BIC BYLADEM11ING
Ust-IdNr. DE128579719

Please use Order No when searching for parts on www.taindustrial.com

Drawing Number	Order No	Description
1	37265	Motor protection
2	50898	DIN 933 hex screw M6x12
3	50898	DIN 933 hex screw M6x12
4	37258	Stand base compl.
5	50995	DIN 11024 spring cotter single
6	51000	DIN 1440 washer d26
8	37252	Gear motor 230V 50Hz
9	50806	DIN 934 hex nut M10
10	50002	DIN 125 washer B10,5
11	37287	Screw-on flange
12	51206	DIN 933 hex screw M8x75
13	50905	DIN 917 cap nut M10
14	50832	DIN 912 socket head screw M6x10
15	37284	Cable clamp
16	50832	DIN 912 socket head screw M6x10
17	37273	Cover
18	50804	DIN 934 hex nut M8
19	37279	Limit switch EU
20	37278	Limit switch guidance EU
21	51182	DIN 933 hex screw M4x22
22	37277	Shim PA6
24	37275	Shaft
26	50884	DIN 933 hex screw M8x65
27	51005	DIN 9021 washer B8,4
28	37286	Handle left
29	50891	DIN 933 hex screw M8x12
29	50891	DIN 933 hex screw M8x12
31	37267	Stopper
32	50105	DIN 912 socket head screw M4x10
34	51185	DIN 471 lock ring 29x2
35	37291	Cover drive shaft
36	51184	O-ring Ø 30x2,0
37	37290	Sealing washer
38	69049	Radial sealing
39	50411	DIN 472 circlip 62x2
40	69048	Deep groove ball bearing 6007C3 2RSR
41	50993	DIN 7991 countersunk socket head hex screw
42	37256	Mixing drum 120l
43	37347	Discharge chute Mark II EU
44	50832	DIN 912 socket head screw M6x10
45	37262	Slide
46	37270	Handle PVC
47	50996	DIN 933 hex screw M10x100
48	37285	Handle right
49	37288	Drive shaft TMX1000

Drawing Number	Order No	Description
50	50410	DIN 471 lock ring 35x1,5
51	51183	DIN 6928 screw 4,8x16
52	37281	Attachment for Switch box
53	37282	Switch box 230V
54	50963	DIN 912 socket head screw M6x12
55	50027	DIN 125 washer B8,4
56	51187	DIN 936 hex nut M8
57	51174	DIN 931 hex screw M10x50
61	37297	Scraper arm TMX 1000
62	37307	Plug
63	37292	Agitator head
64	37293	Inner mixing arm TMX 1000
66	50991	DIN 1587 cap nut M8
67	37295	Outer mixing arm TMX 1000
69	50070	DIN 603 Screw M8x30
70	51186	DIN 933 hex screw M10x22
71	50863	DIN 985 hex nut M10
72	51179	DIN 913 threaded pin M6x28
73	51181	DIN 988 shim ring 20x28x1,0
74	37271	Compression spring
75	51180	DIN 471 lock ring 20x1,75
76	37272	Knob
77	37274	Cover axle
79	50093	Self locking screw M5x12
80	51105	Self-locking nut M5 F90
81	37268	Dust cover
82	50026	DIN 127 split washer B6
83	50006	DIN 127 split washer B8
84	50002	DIN 125 washer B10,5
85	37257	Mixing drum 160l
86	37289	Drive shaft TMX 1500
87	37360	Switch box 120V TMX 1000US
88	50998	O-ring Ø 20x2,0
89	50997	DIN 912 socket head screw M6x8
91	37340	Bag ripper
92	37339	Vacuum cleaner connection
93	37254	Gear motor 120V 60Hz
94	50806	DIN 934 hex nut M10
95	50002	DIN 125 washer B10,5
96	50001	DIN 127 split washer B10
97	50002	DIN 125 washer B10,5
98	61299	Geease EP2 150 gr.
99	50002	DIN 125 washer B10,5
100	50091	Self-locking nut M6 F90
101	37253	Gear motor 230V 50Hz

Drawing Number	Order No	Description
102	37255	Gear motor 240V 60Hz
103	61299	Geease EP2 150 gr.
105	37280	Cabel limit switch
106	37341	Cable motor
108	50017	DIN 127 split washer B4
111	50155	Self locking screw M5x10
112	50981	DIN 985 hex nut M5
114	37349	Cabel limit switch TMX1500
124	37301	Scraper arm TMX 1500
127	37326	Outer mixing paddle TMX1000
129	37300	Outer mixing arm TMX 1500
133	37299	Inner mixing arm TMX 1500
135	37327	Inner mixing paddle TMX 1000/1500
136	37346	Outer mixing paddle TMX1500
139	37358	Limit switch US
150	60202	Dust extraction sticker
154	37325	Cover compl.
156	37320	Transport roller
157	37321	Locking Pin compl.
158	37324	Machine feet right
159	37323	Machine feet left
160	37322	Rubber wheel
163	37328	Rim scraper TMX1000
164	37302	Rim scraper TMX1500
170	37250	Mixing Tool TMX 1000
171	37251	Mixing Tool TMX 1500
185	37329	Switch box
186	37330	Capacitor 50 μ F 450V
187	37331	Sealing
188	37332	Control box cover
189	37333	Screw
190	37334	Terminal block
191	37348	Relay 230V
192	37336	Screw
193	37337	Strain relief
194	37338	Cable fitting
195	37360	Switch box 240V TMX 1500US
196	37371	Relay 120V 60Hz
197	37351	Relay 240V 60Hz