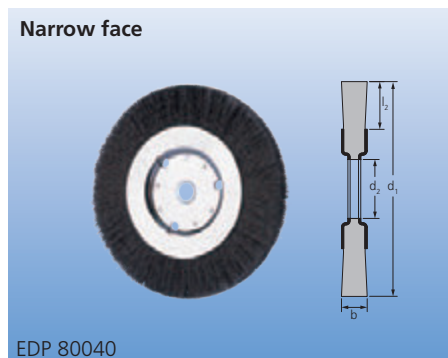


Power wire brushes

Unthreaded crimped wheel brushes




Used for light to medium duty brushing action, these wheels are designed for individual use in confined areas, or in assemblies mounted on a shaft. They are best suited for brushing uneven surfaces and areas inaccessible to wider brushes. Ideal for removal of light scale, dirt, rust, corrosion and light burs.

Ordering note

All wheels with 1-1/4" arbor hole are provided with 1/4" x 1/8" keyways. See page 66 for listing of adapters.

Made in the USA.



Dia. d ₁ [Inches]	Arbor hole d ₂ [Inches]	Trim length l ₂ [Inches]	Face width b [Inches]	Width on arbor [Inches]	Included adapter [Inches]	Wire diameter and EDP number					Recom. speed [RPM]	MSFS max. [RPM]	Adapter style	
						.006	.008	.010	.012	.014				
Carbon steel wire														
3	1/2	3/4	9/16	7/16	3/8	-	-	-	-	80003	5,000 - 7,500	10,000	D	2
4	5/8	3/4	1/2	7/16	1/2	-	81442	-	80017	80018	6,000 - 9,000	12,500	D	2
6	5/8	1-1/8	5/8	7/16	1/2	80038	80039 P	80040	80041	80042 P	4,000 - 6,000	8,000	D	10/5
8	5/8	1-1/2	5/8	5/8	-	80158	80159	80160	80161	80162	3,000 - 4,500	6,000	-	2
8	1-1/4	1-1/2	3/4	1/2	-	-	-	80166	80167	81449 P	3,000 - 4,500	6,000	A	2/5
10	1-1/4	1-7/8	1	1/2	-	-	80225	80226	-	80228	2,000 - 3,000	4,200	A	2
12	1-1/4	2-7/8	1-1/4	11/16	-	-	-	-	80283	80284	1,500 - 2,500	3,400	A	2
Stainless steel wire (INOX)														
3	1/2	3/4	9/16	7/16	3/8	-	-	80332	-	-	4,000 - 6,500	10,000	D	2
4	5/8	3/4	1/2	7/16	1/2, 3/8	80344	-	-	80347	-	5,000 - 8,000	12,500	D	2
6	5/8	1-1/8	5/8	7/16	1/2	80368	80369	80370	80371	80372	3,000 - 5,000	8,000	D	2
8	5/8	1-1/2	5/8	5/8	-	-	-	-	80491	-	2,000 - 4,000	6,000	-	2
8	5/8	2-1/8	3/4	1/2	-	80518	-	-	-	-	2,000 - 4,000	6,000	-	2
8	1-1/4	1-1/2	3/4	1/2	-	-	-	-	80497	-	2,000 - 4,000	6,000	A	2
10	1-1/4	1-7/8	1	1/2	-	-	-	-	80557	-	1,500 - 2,500	4,200	A	2
12	1-1/4	2-7/8	1-1/4	11/16	-	-	-	-	80613	-	1,300 - 2,000	3,400	A	2
Brass wire														
6	5/8	1-1/8	5/8	7/16	1/2	-	80666	-	-	80667	3,000 - 5,000	8,000	D	2
8	1-1/4	1-1/2	3/4	1/2	-	-	80682	-	-	-	2,000 - 4,000	6,000	A	2