

Parts Catalog

July 2016



All the Product Parts Lists in the catalog are listed under a subhead and in numerical sequence by Product Model Number.

RIDGID Pipe and Drain Cleaning Equipment

Hand Tools

Model No.	Description	Page
K 25	Hand Spinner.....	1
K 26	Hand Spinner.....	1
	Flat Steel Tape Replacement Parts.....	2

Portable Drain Cleaning Machines

Model No.	Description	Page
K 39	Drain Cleaner.....	3-6
	Auto-Spin®.....	7
	Auto-Clean®.....	8
K 30	Auto-Clean®.....	8
K 40	Drain Cleaner.....	9-16
K 40 B	Drain Cleaner.....	10-13
K 45	Drain Cleaner.....	17-18

Sectional Drain Cleaning Machines

Model No.	Description	Page
K 50	Drain Cleaning Machine.....	19-20
A 17	Cable Adapter.....	20
K 60SP	Drain Cleaning Machine.....	21-22
K 75 A	Drain Cleaning Machine.....	23-26
K 75 B	Drain Cleaning Machine.....	23-26
K 1500 A	Drain Cleaning Machine.....	23-26
K 1500 B	Drain Cleaning Machine.....	23-26
K 1500 ASP	Drain Cleaning Machine.....	23-26
K 1500 BSP	Drain Cleaning Machine.....	23-26
K 1500 G	Drain Cleaning Machine.....	27-28

Drum Cleaning Machines

Model No.	Description	Page
K 375 C	Cart.....	32
K 375 R	Drain Cleaning Machine.....	29-32
K 380	Drain Cleaning Machine.....	33-36
K 400	Drain Cleaning Machine.....	37-47
K 750	Drum Machine.....	48-51
K 750 R	Drum Machine.....	52-54
K 3800	Drain Cleaning Machine.....	55-62
K 6200	Drain Cleaning Machine.....	63-70
K 7500	Drain Cleaning Machine.....	71-74

Rodding Machines

Model No.	Description	Page
K 1000	Rodder.....	75-76

Water Jetters

Model No.	Description	Page
KJ 1350	Water Jetter.....	77-81
KJ 1750	Water Jetter.....	82-88
KJ 2200	Water Jetter.....	89-91
KJ 3000	Jetter.....	92-98
KJ 3100	Jetter.....	99-104
FV 1	Foot Valve.....	90, 97, 102
H 10	Cart.....	105-106
H 30	Cart.....	107
H 32	Jet Vac.....	108
H 38	Reel Assembly.....	95, 104
H 5	Reel Assembly.....	106

Diagnostic Equipment

Model No.	Description	Page
micro CA-25	Digital Inspection Camera.....	109
micro CA-100	Digital Inspection Camera.....	110
micro CA-300	Digital Inspection Camera.....	111
SeeSnake	Video Inspection Equipment.....	112-120
SeeSnake	Compact/FlatPack.....	121-128
SeeSnake	Compact2.....	129-134
SeeSnake	microDrain.....	135-141
SeeSnake MAX	rM200 Camera System.....	142-150
CrossChek	Inspection System.....	151
SeeSnake	CS6 Monitor.....	152-156
SeeSnake	CS1000 Monitor.....	157
SeeSnake	LT1000 Monitor.....	158-160
SeeSnake	LCDPak Monitor.....	161-164
SeeSnake	MINIPak Monitor.....	165-166
SeeSnake	Monitor+VCR and LCD/DVDR.....	167-171
SeeSnake	NaviTrack II.....	172-175
SR-20	Line Locator.....	176-178
SR-24	Line Locator.....	176-178
SR-60	Line Locator.....	172-175
ST-33Q	Q Ring.....	179
ST-305	5 Watt Line Transmitter.....	180
ST-510	10 Watt Line Transmitter.....	181-182

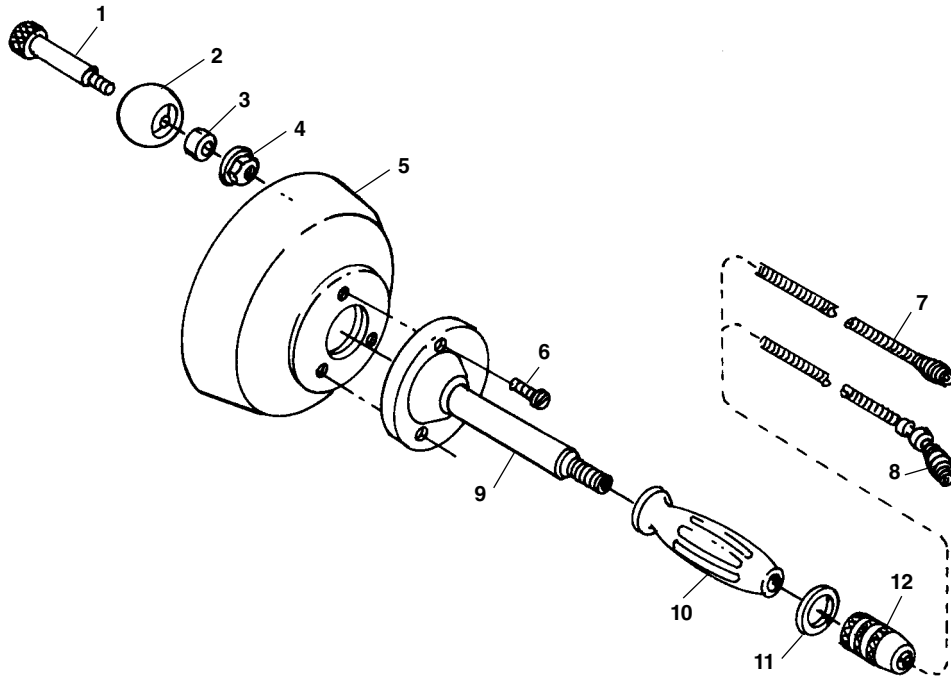
Miscellaneous

Model No.	Description	Page
	Authorized Service Centers.....	183-184

For additional information contact the Ridge Tool Technical Service Department at 1-800-519-3456

See Machine & Power Drive Parts Catalog for Threading and Power Drive Equipment Parts

K-25 Hand Spinner

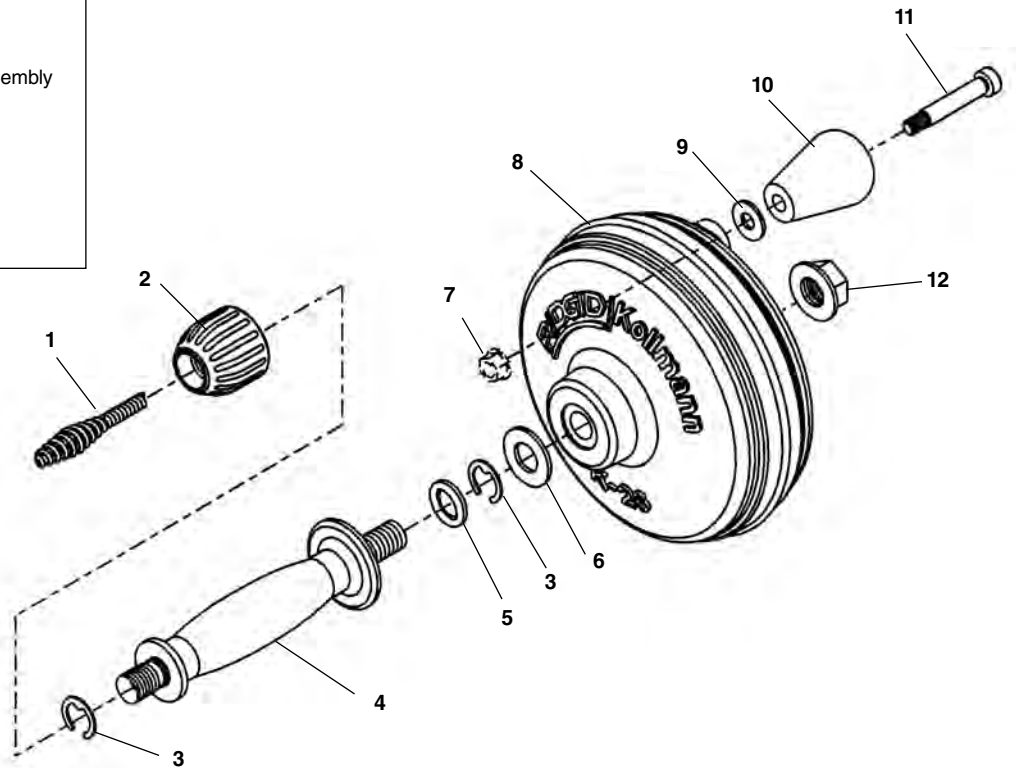


**NOTE: Order parts by Catalog Number only.
DO NOT order by Reference Number.**

Ref. No.	Catalog No.	Description
—	58890	K-25 - BP w/C-1-IC
—	58895	K-25 - DH w/C-2-IC
1	50632	Shoulder Screw
2	61745	Knob
3	50642	Spacer
4	27517	Lock Nut
5	50637	Cable Container Assembly (Includes Ref. 1,2,3,4,6)
6	61540	Screw
7	56782	C-1 - IC
8	56787	C-2 - IC
9	60735	Guide Tube & Flange
10	76765	Handle Grip
11	31933	Retaining Ring
12	60720	Chuck

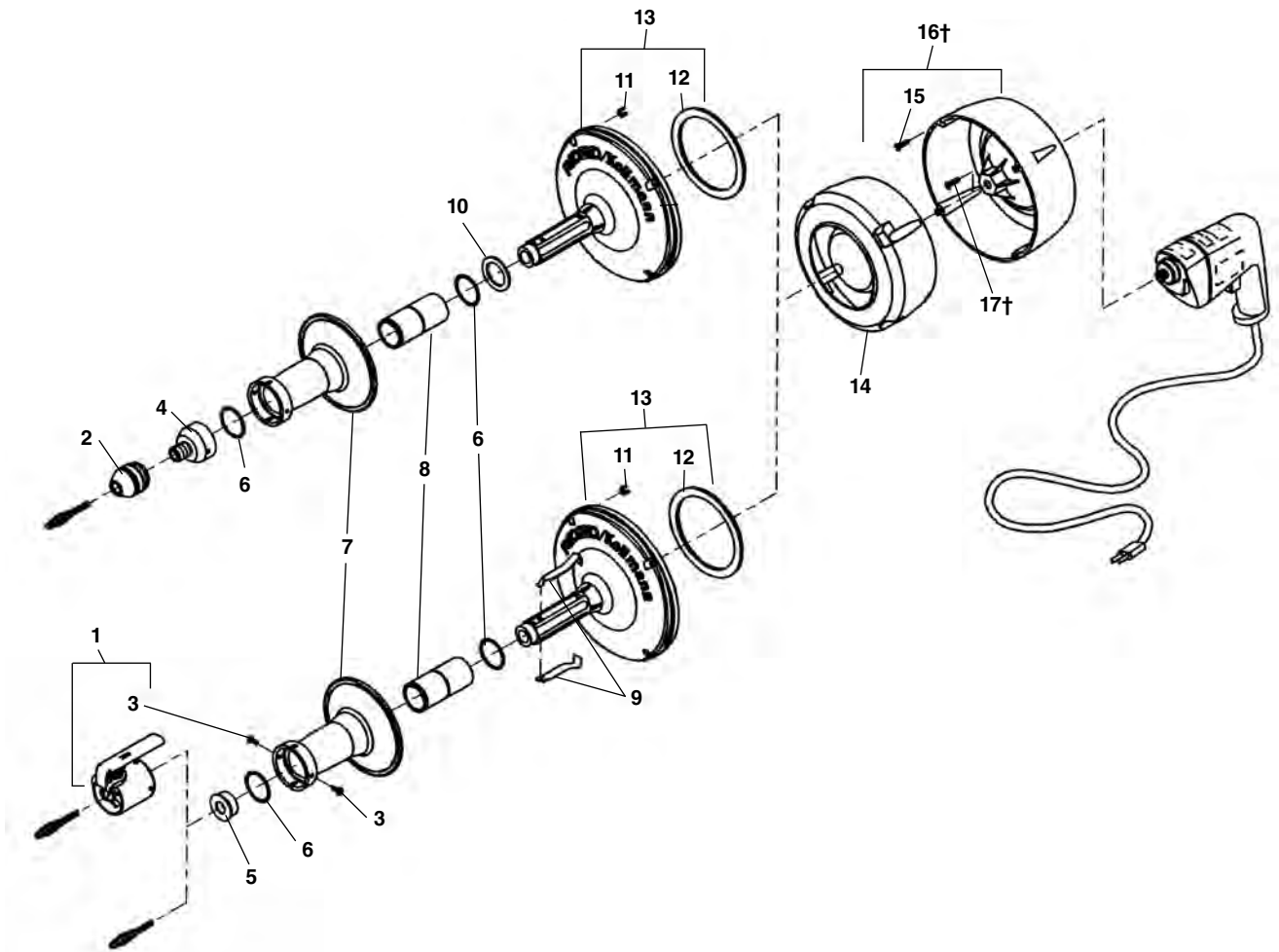
K-26 Hand Spinner

Ref. No.	Catalog No.	Description
—	59812	K-26 Hand Spinner
1	62225	C-1
2	60777	Chuck Assembly
3	42580	Retaining Ring (2)
4	60782	Guide Tube Handle Assembly
5	84460	Thrust Washer
6	80205	Thrust Washer
7	27517	Lock Nut
8	60787	Cable Container
9	60060	Washer
10	60792	Knob
11	60797	3/8" x 1 3/4" Shoulder Bolt
12	61447	5/8" - 18 Hex Jam Nut



Replacement Parts for One Piece Flat Steel Sewer Tapes

Catalog No.	Model No.	Width	Thickness	Length	89750 Ball	89755 Ball	89760 Ball	89765 Handle	89770 Spear	89775 Spear
62530	E-2724	1/2"	1/16"	25'	•			•	•	
62535	E-2725	1/2"	1/16"	50'	•			•	•	
62540	E-2726	1/2"	1/16"	75'	•			•	•	
62545	E-2727	1/2"	1/16"	100'	•			•	•	
62550	E-2728	3/4"	1/16"	25'		•		•	•	
62555	E-2729	3/4"	1/16"	50'		•		•	•	
62560	E-2730	3/4"	1/16"	75'		•		•	•	
62565	E-2731	3/4"	1/16"	100'		•		•	•	
62570	E-2732	5/8"	3/32"	25'		•		•	•	
62575	E-2733	5/8"	3/32"	50'		•		•	•	
62580	E-2734	5/8"	3/32"	75'		•		•	•	
62585	E-2735	5/8"	3/32"	100'		•		•	•	
62590	E-2736	3/4"	1/8"	25'		•		•	•	
62595	E-2737	3/4"	1/8"	50'		•		•	•	
62600	E-2738	3/4"	1/8"	75'		•		•	•	
62605	E-2739	3/4"	1/8"	100'		•		•	•	
62610	E-2740	1"	1/8"	25'			•	•		•
62615	E-2741	1"	1/8"	50'			•	•		•
62620	E-2742	1"	1/8"	75'			•	•		•
62625	E-2743	1"	1/8"	100'			•	•		•
62630	E-2744	1 1/4"	1/8"	25'			•	•		•
62635	E-2745	1 1/4"	1/8"	50'			•	•		•
62640	E-2746	1 1/4"	1/8"	75'			•	•		•
62645	E-2747	1 1/4"	1/8"	100'			•	•		•

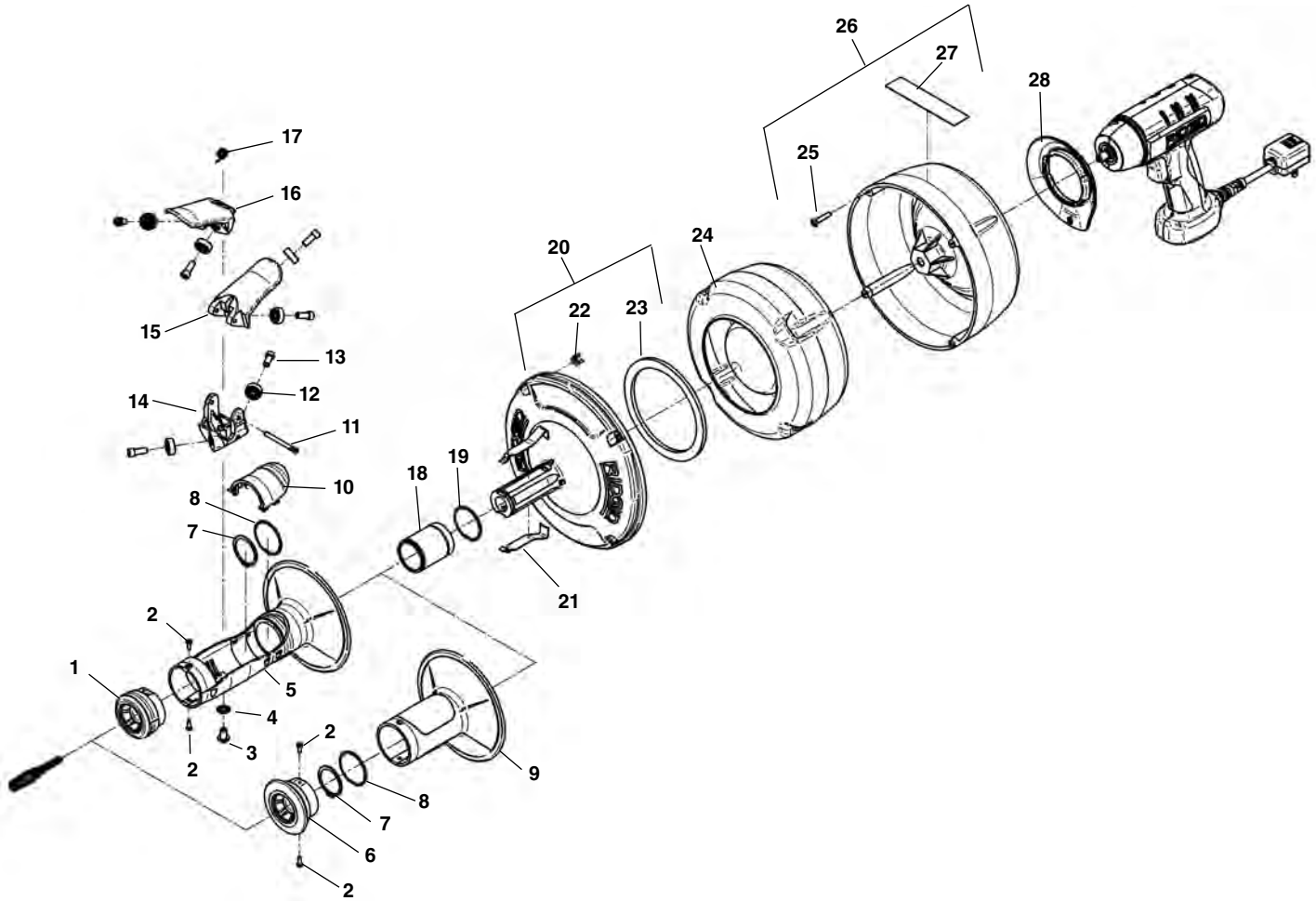


**NOTE: Order parts by Catalog Number only.
DO NOT order by Reference Number.**

Ref. No.	Catalog No.	Description	Ref. No.	Catalog No.	Description
1	67962	A-39 AUTOFEED®	10	55252	Spacer
2	55247	Cable Chuck	11	68942	Clips (4)
3	68937	Pan Head Screw #10 - 24 (4)	12	47252	Gasket
4	55257	Chuck Adapter	13	68927	Drum Front
5	68957	Nose Piece	14	68917	Drum Liner
6	41512	Spiral Ring (2)	15	69542	Screw #10 - 32 x 1" (4)
7	41517	Hand Grip	16†	68932	Drum Back
8	68922	Sleeve	17†	76775	Screw, K-39, K-39B 7.2V (*LH Thread)
9	68947	Clamp Springs (2)			

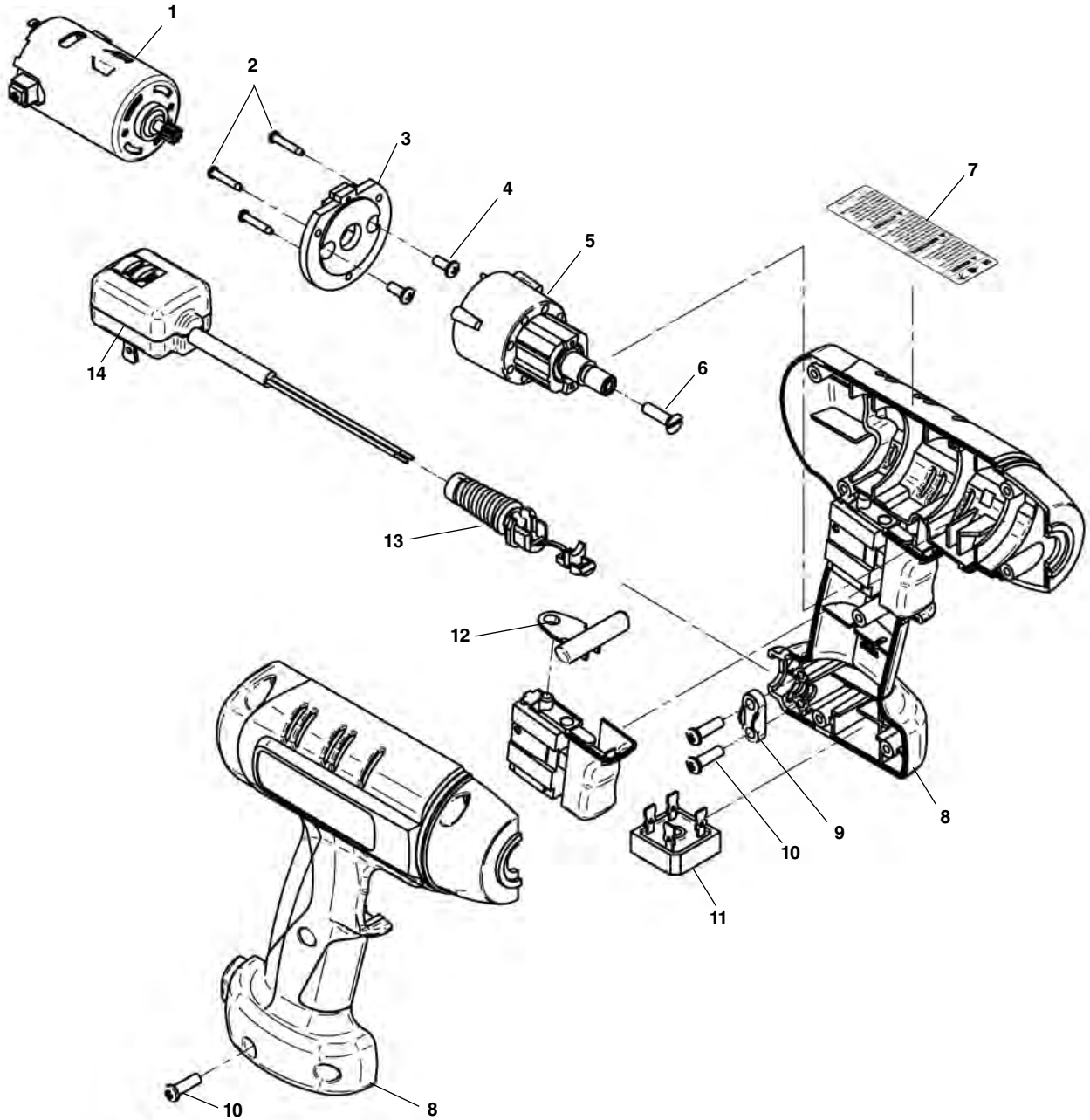
† See Service Notes

New AUTOFEED® Style



NOTE: Order parts by Catalog Number only.
DO NOT order by Reference Number.

Ref. No.	Catalog No.	Description	Ref. No.	Catalog No.	Description	Ref. No.	Catalog No.	Description
1	24163	Nose Piece, Auto	11	24208	Pivot Pin	21	24243	Clamp Spring
2	24168	Screw	12	67997	Roller Bearing	22	68942	Clips
3	24178	Button Screw 5/16"-18	13	39830	Socket HD Cap Screw	23	47252	Gasket
4	92255	Lock Washer	14	24213	Auto Feed Carriage	24	68917	Drum Liner
5	24183	Hand Grip, Auto	15	24218	Reverse Lever	25	69542	Screw #10-32 X 1"
6	24188	Nose Piece, Manual	16	24223	Forward Lever	26	68932	Drum Back
7	24193	Retaining Ring	17	24228	Torsion Spring	27	24248	Caution Label
8	41512	Spiral Ring	18	24233	Sleeve	28	24253	Trigger Guard
9	24198	Hand Grip, Manual	19	41512	Spiral Ring			
10	24203	Top Grip Cap	20	24238	Drum Front			



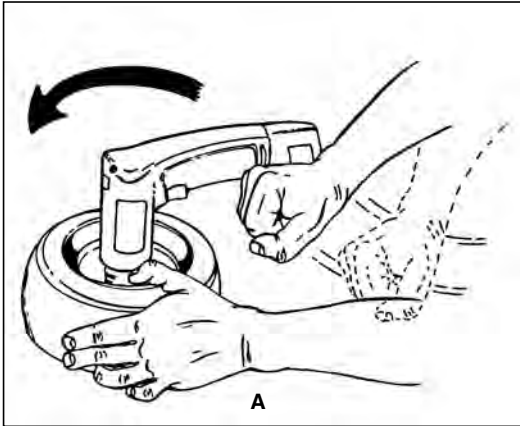
**NOTE: Order parts by Catalog Number only.
DO NOT order by Reference Number.**

Ref. No.	Catalog No.	Description	Ref. No.	Catalog No.	Description
1	24078	Motor 115V	8	24103	Housing Set
2	24083	Screws	9	24108	Cord Clamp
3	24088	Adapter	10	24113	Screw, #8 x .62
4	17106	Screw, M4 x 10	11	21758	Rectifier
5	24093	Gearbox	12	24123	Reversing Lever
6	19128	Screw, LH M5	13	21768	Stain Relief
7	24098	Warning Label	14	36478	Linecord 115V

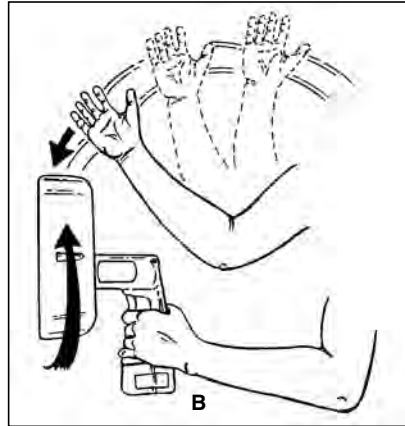
Service Notes

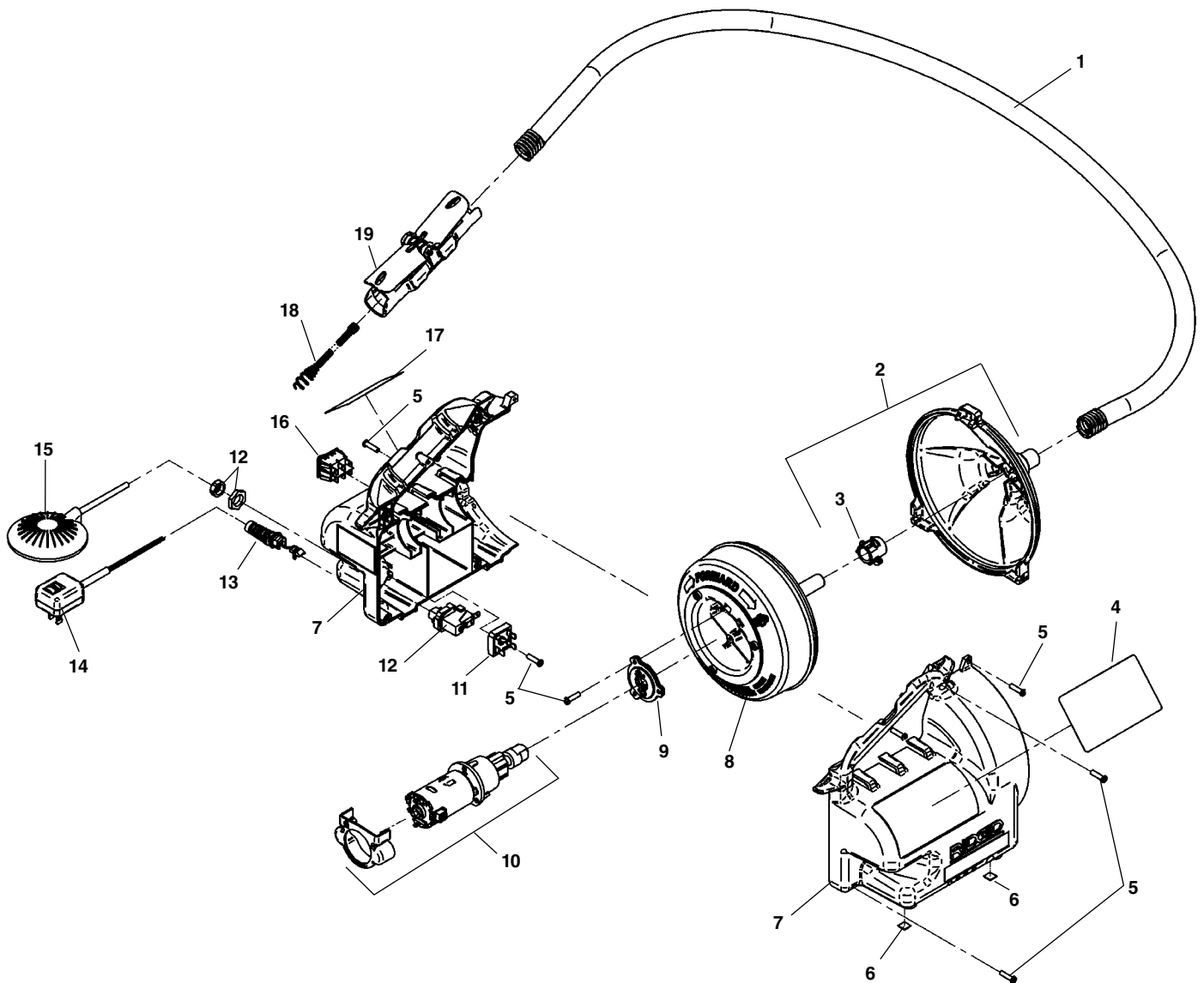
Service Notes

Remove left hand screw (Ref. 15) before removing power unit from drum back. Either method can be used.



OR

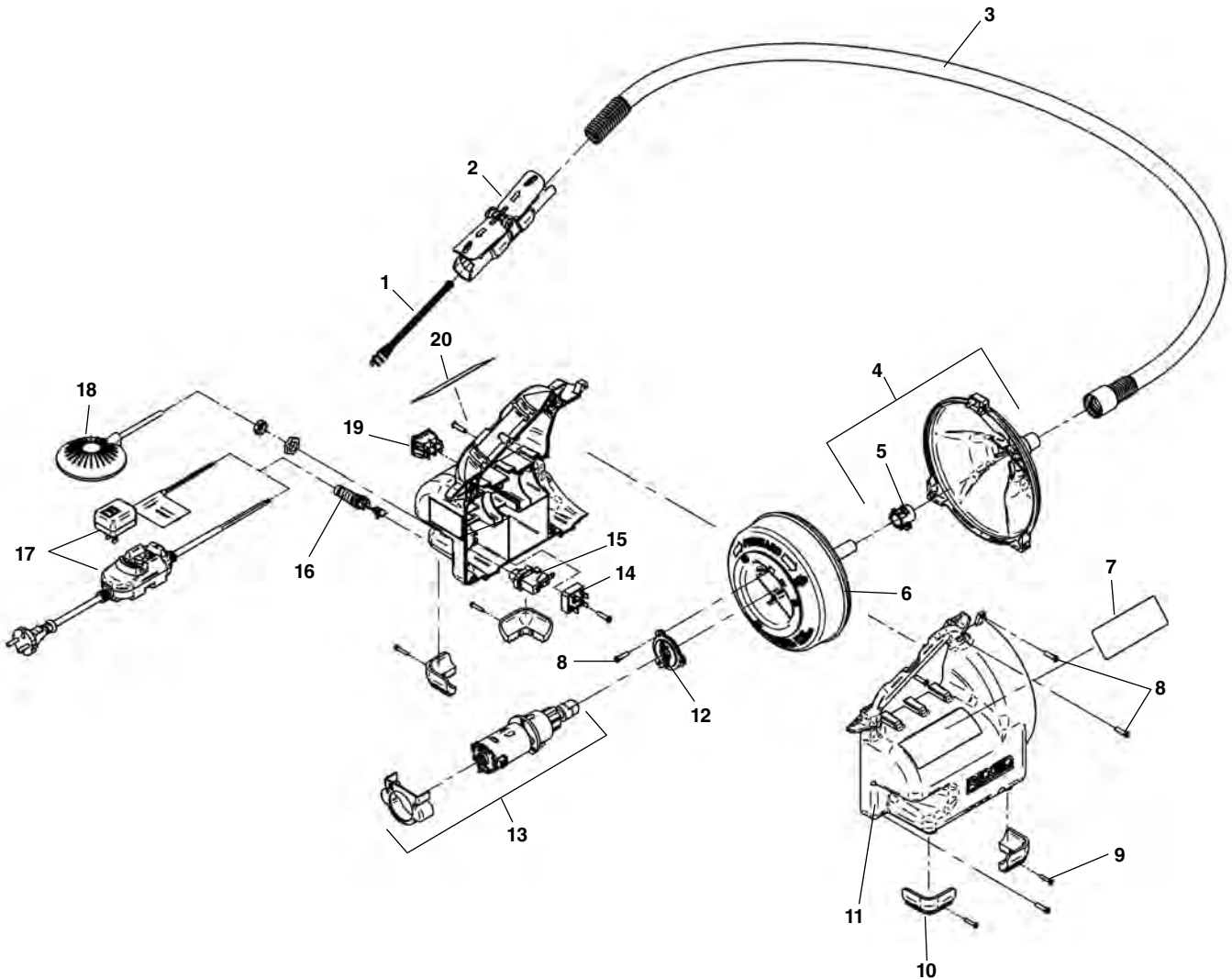




**NOTE: Order parts by Catalog Number only.
DO NOT order by Reference Number.**

Ref. No.	Catalog No.	Description	Ref. No.	Catalog No.	Description
1	21713	Guide Hose	12	21763	Air Switch Assembly
2	21718	Front Housing	13	21768	Strain Relief
3	21808	Bushing	14	21773	Power Cord
4	21723	Warning Label	15	21783	Footbulb
5	21728	Pk of 5 Screws	16	21778	Switch
6	21733	Pk of 4 Rubber Foot	17	21788	ON/OFF Label
7	21738	Machine Housing	18	21338	Cable, 1/4" - 30' IC
8	21753	Drum Assembly	19	21793	AUTOFEED® Assembly
9	21748	Clutch Assembly	Not Shown		
10	21743	Motor Assembly	-	41018	Inner Drum
11	21758	Recitifier			

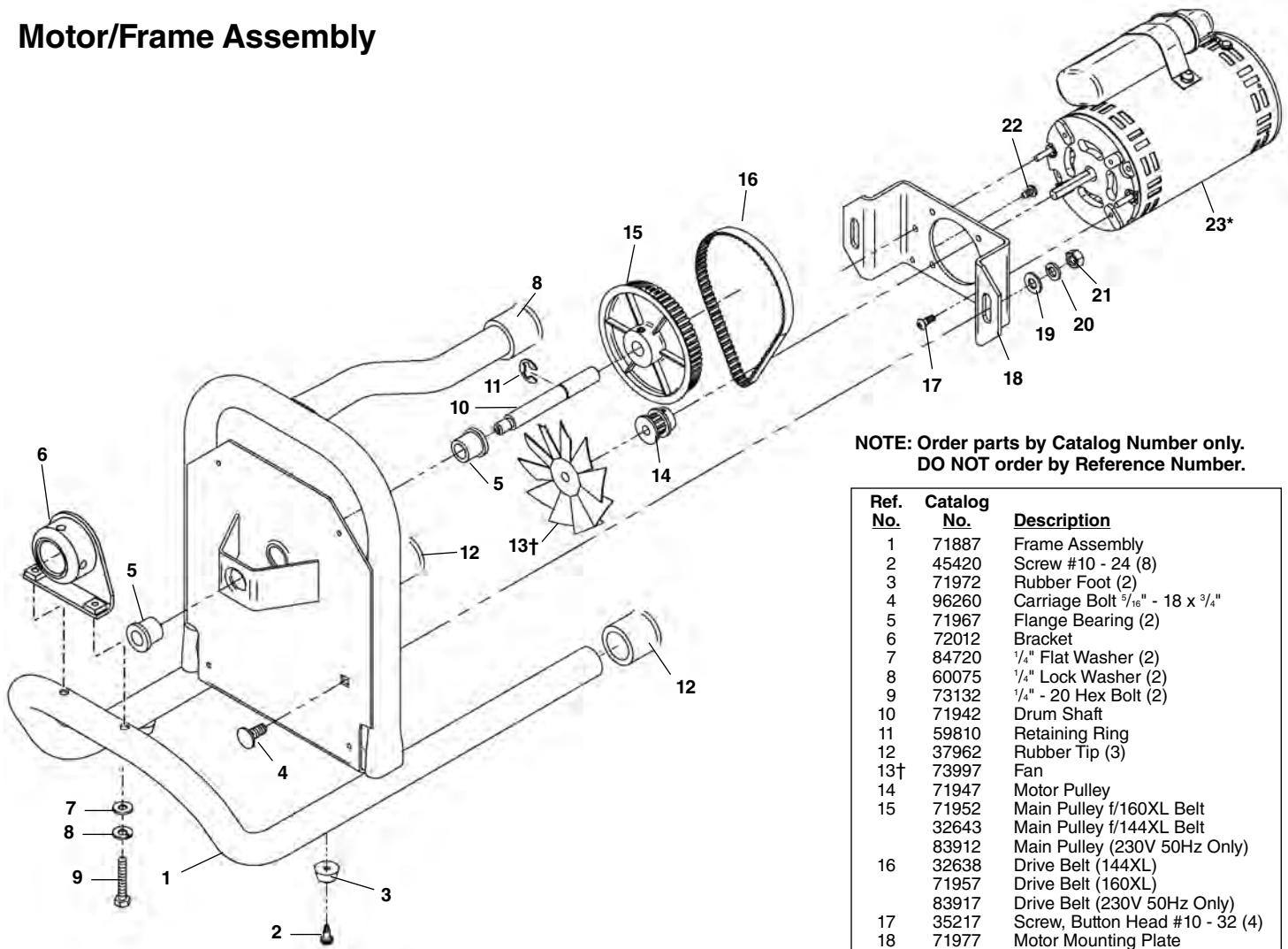
K-30



**NOTE: Order parts by Catalog Number only.
DO NOT order by Reference Number.**

Ref. No.	Catalog No.	Description	Ref. No.	Catalog No.	Description
1	34893	1/4" - 30' Cable	13	21743	Motor Assembly 115V
2	21793	AUTOFEED® Assembly		35303	Motor Assembly 220V
3	21713	Guide Hose	14	21758	Recifier
4	21718	Front Housing	15	21763	Air Switch
5	21808	Bushing	16	21768	Strain Relief
6	21753	Drum Assembly	17	21773	Power Cord 115V
7	21723	Warning Label		35308	Power Cord 220V
8	21728	Screws, #8 x .75	18	21783	Footbulb
9	35293	Screws, #8 x .75	19	21778	Switch
10	35298	Rubber Feet (4)	20	21788	ON/OFF Label
11	21738	Machine Housing	<u>Not Shown</u>		
12	21748	Clutch Assembly	-	41018	Inner Drum

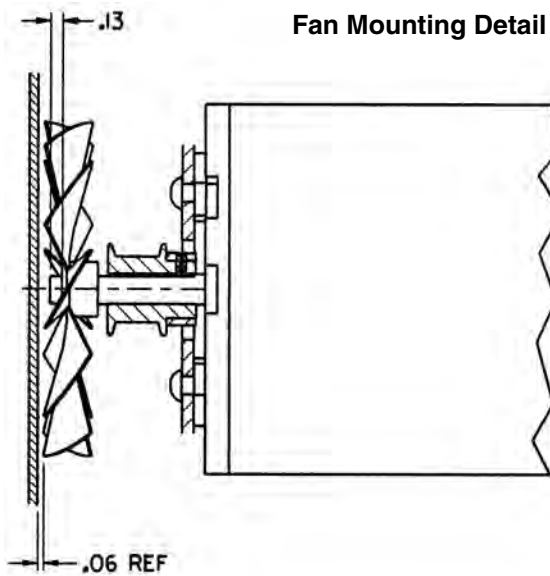
Motor/Frame Assembly



NOTE: Order parts by Catalog Number only. DO NOT order by Reference Number.

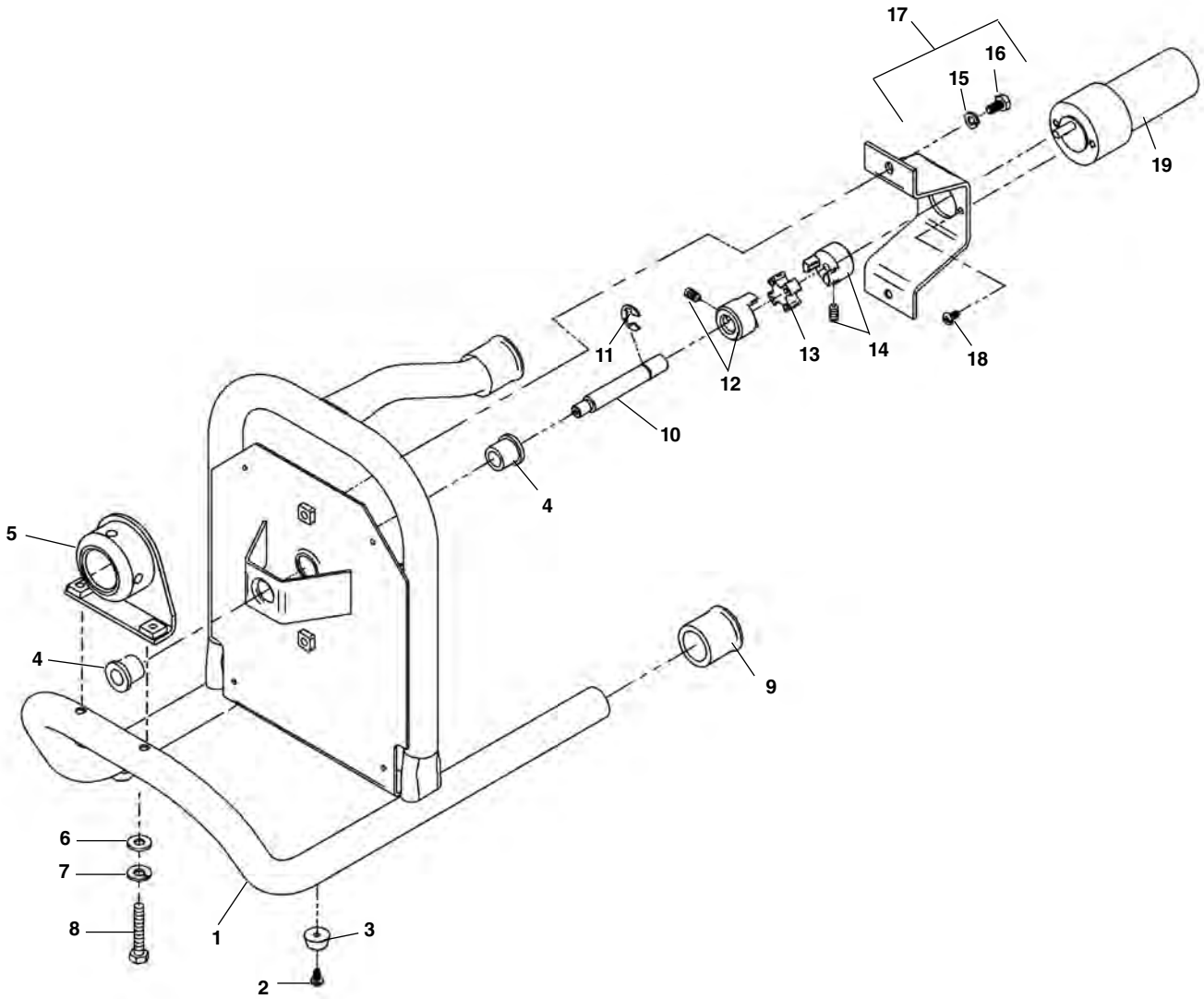
Ref. No.	Catalog No.	Description	
1	71887	Frame Assembly	
2	45420	Screw #10 - 24 (8)	
3	71972	Rubber Foot (2)	
4	96260	Carriage Bolt ⁵ / ₁₆ " - 18 x ³ / ₄ "	
5	71967	Flange Bearing (2)	
6	72012	Bracket	
7	84720	¹ / ₄ " Flat Washer (2)	
8	60075	¹ / ₄ " Lock Washer (2)	
9	73132	¹ / ₄ " - 20 Hex Bolt (2)	
10	71942	Drum Shaft	
11	59810	Retaining Ring	
12	37962	Rubber Tip (3)	
13†	73997	Fan	
14	71947	Motor Pulley	
15	71952	Main Pulley f/160XL Belt	
	32643	Main Pulley f/144XL Belt	
	83912	Main Pulley (230V 50Hz Only)	
16	32638	Drive Belt (144XL)	
	71957	Drive Belt (160XL)	
	83917	Drive Belt (230V 50Hz Only)	
17	35217	Screw, Button Head #10 - 32 (4)	
18	71977	Motor Mounting Plate	
19	60065	Flat Washer ⁵ / ₁₆ " (2)	
20	60080	Lock Washer ⁵ / ₁₆ " (2)	
21	96730	Hex Nut ⁵ / ₁₆ " - 18 (2)	
22	45420	Screw #10 - 24 (8)	
23*	34898	Motor 115V 60Hz w/Thermal Breaker	
	*	34903	Motor 230V 50Hz w/Thermal Breaker
		72022	Motor 100V 50/60Hz

1. Position Fan as Shown.



† Refer to Service Notes for Fan position.
 * (Ref No. 23) If replacing motor model #1842424059 then you must also replace the motor shroud catalog #34908.

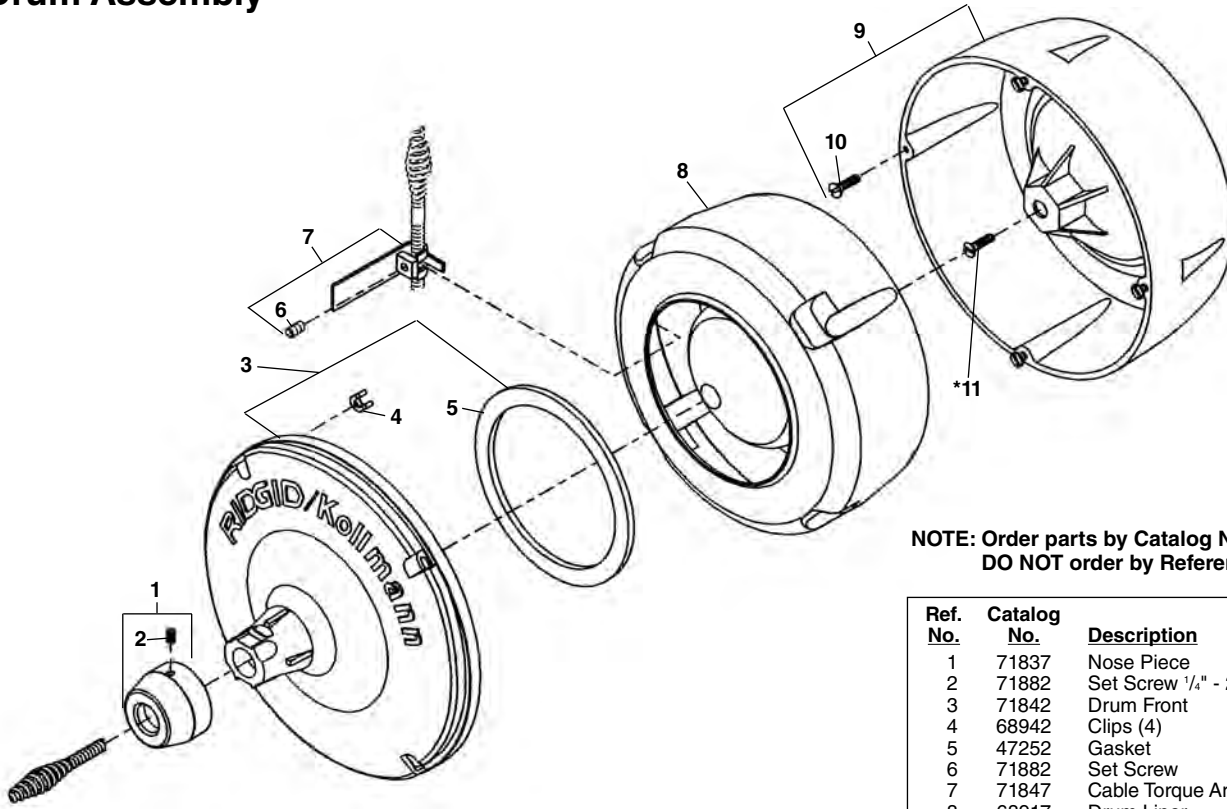
Motor/Frame Assembly



**NOTE: Order parts by Catalog Number only.
DO NOT order by Reference Number.**

Ref. No.	Catalog No.	Description
1	83357	K-40B Tubular Frame Assembly
2	45420	Screw #10 - 24 (8)
3	71972	Rubber Foot (2)
4	71967	Flange Bearing (2)
5	72012	Bracket
6	84720	1/4" Flat Washer (2)
7	60075	1/4" Lock Washer (2)
8	73132	Hex Bolt 1/4" - 20 (2)
9	37962	Rubber Tip (3)
10	83367	Drum Shaft
11	59810	Retaining Ring
12	83377	Coupling End 1/2"
13	83382	Coupling Spider
14	83372	Coupling End 1/4"
15	92615	Washer (2)
16	60265	Hex Screw 1/4" - 20 x 1/2"
17	83402	Motor Mounting Plate (Inc. Ref. No. 11, 12)
18	35217	Screw, Button Head #10 - 32 (2)
19	83397	Motor 14.4V

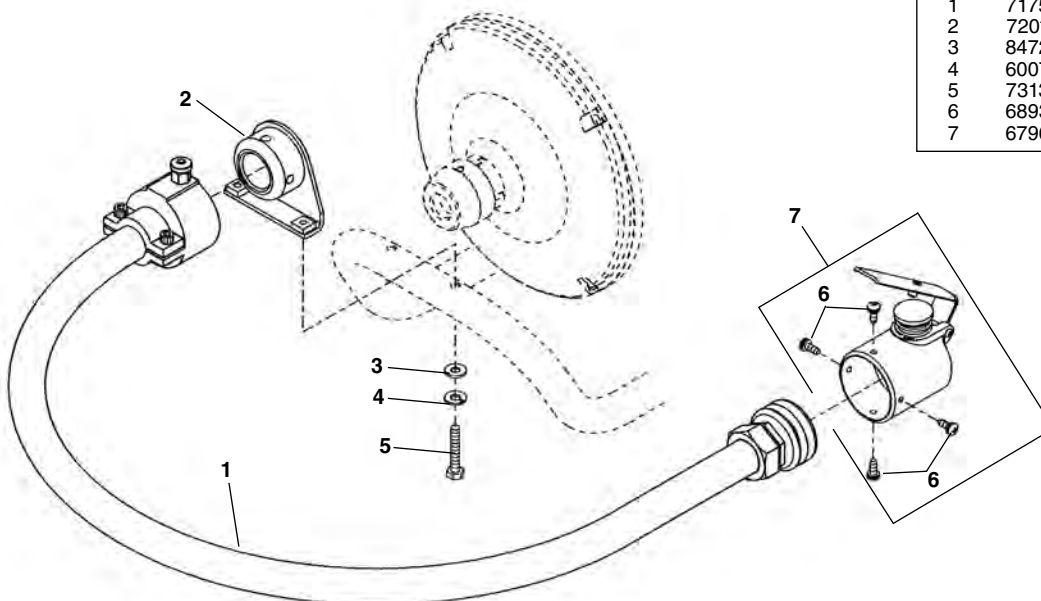
Drum Assembly



NOTE: Order parts by Catalog Number only. DO NOT order by Reference Number.

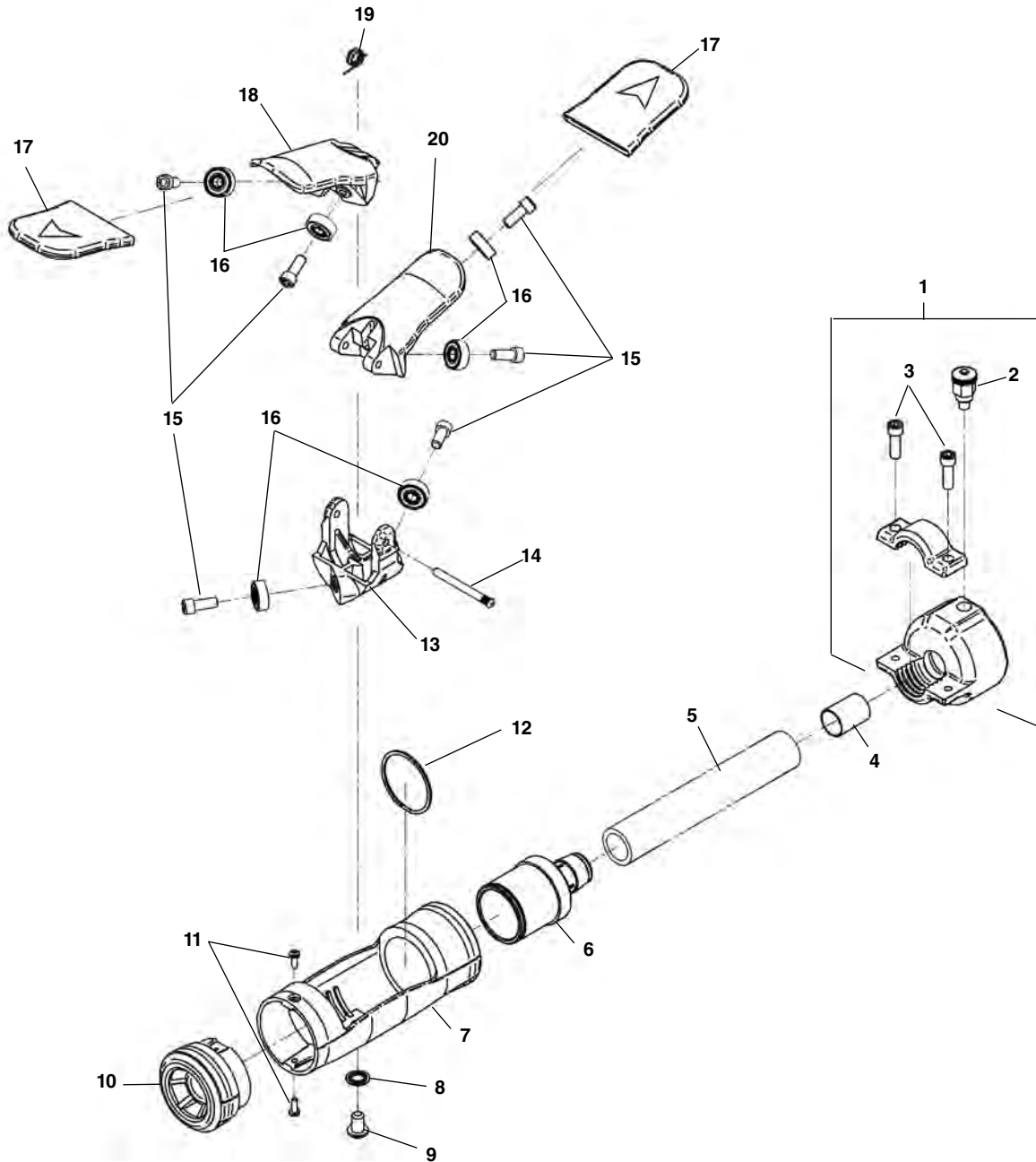
Ref. No.	Catalog No.	Description
1	71837	Nose Piece
2	71882	Set Screw 1/4" - 20 x 1/2"
3	71842	Drum Front
4	68942	Clips (4)
5	47252	Gasket
6	71882	Set Screw
7	71847	Cable Torque Arm
8	68917	Drum Liner
9	68932	Drum Back
10	69542	Screw #10 - 32 x 1" (4)
*11	76775	Screw L.H. Thread

Old Style AUTOFEED



Ref. No.	Catalog No.	Description
-	71762	A-40G PF Guide Hose/AUTOFEED
1	71757	A-40G Guide Hose Assembly
2	72012	Bracket
3	84720	1/4" Flat Washer (2)
4	60075	1/4" Lock Washer (2)
5	73132	1/4" - 20 Hex Bolt (2)
6	68937	Pan Head Screw #10 -- 24 (4)
7	67962	A-39PF AUTOFEED

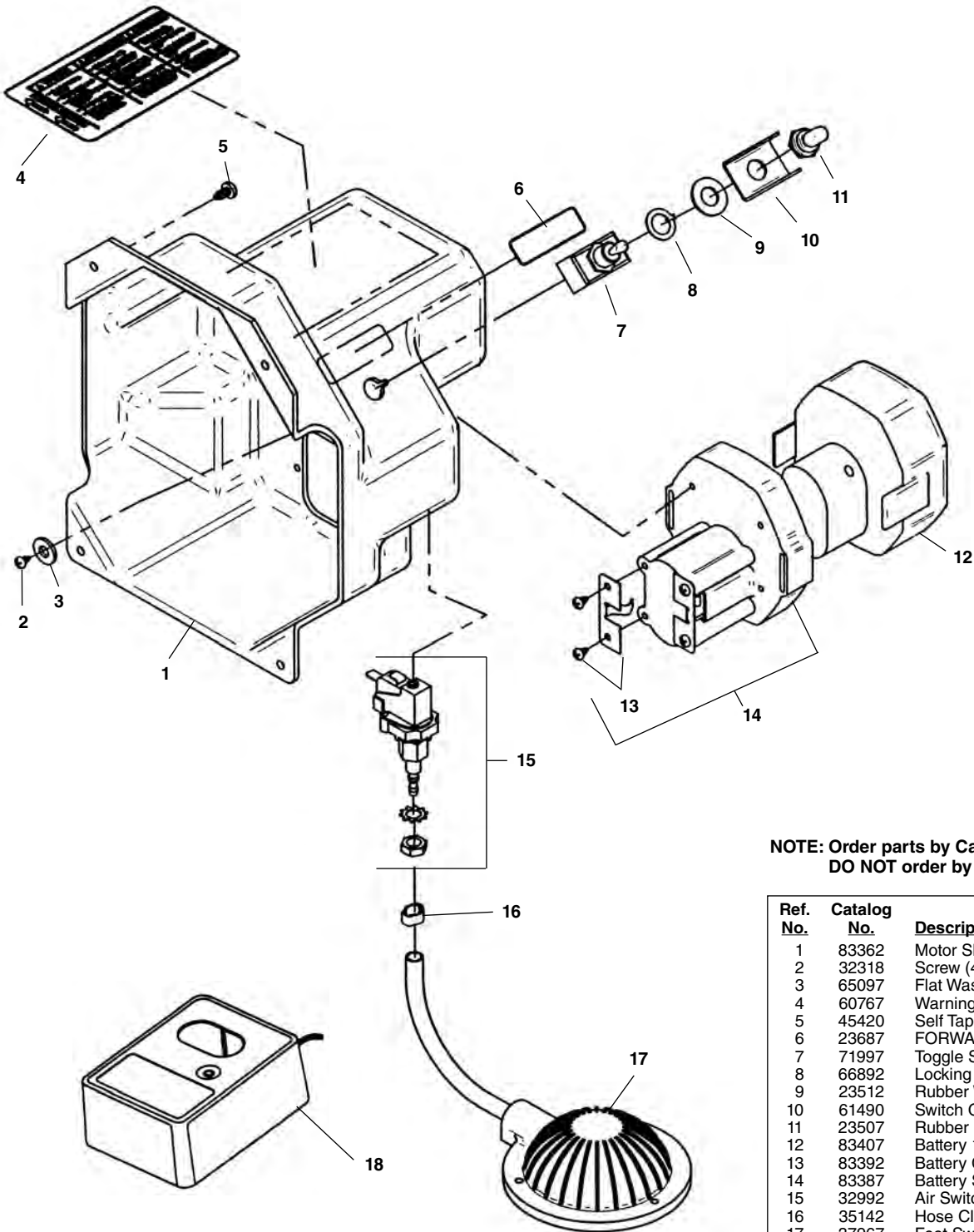
Guide Hose Assembly



**NOTE: Order parts by Catalog Number only.
DO NOT order by Reference Number.**

Ref. No.	Catalog No.	Description	Ref. No.	Catalog No.	Description
—	26558	Guide Hose Assembly with AUTOFEED	11	24168	Screw #6 (2)
1	59815	Guide Hose Bracket	12	41512	Spiral Ring
2	59510	Plunger Pin	13	24213	AUTOFEED Carriage
3	40910	Hex Cap Screw (2)	14	24208	Pivot Pin
4	31258	Ferrule	15	39830	Socket HD Cap Screw 1/4" - 20 x 5/8" (6)
5	72467	Hose, 4'	16	67997	Roller Bearing (6)
6	31238	AUTOFEED Adapter	17	30138	Lever Grip (2)
7	31243	Handgrip	18	24223	Forward Lever
8	31248	Lock Washer, 5/16" Internal	19	24228	Torsion Spring
9	24178	Button Screw 5/16" - 18	20	24218	Reverse Lever
10	24163	Nose Piece			

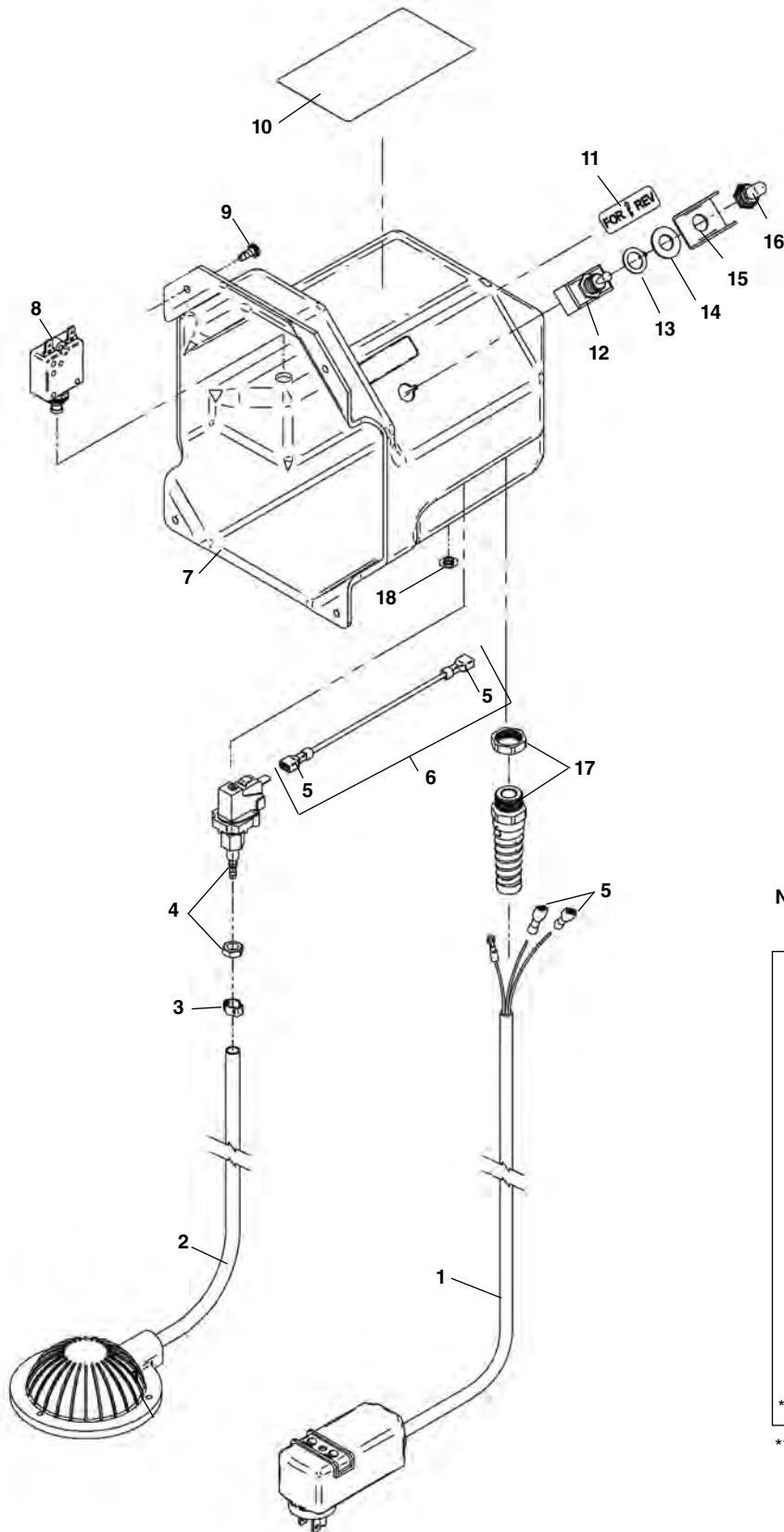
Electric Components



**NOTE: Order parts by Catalog Number only.
DO NOT order by Reference Number.**

Ref. No.	Catalog No.	Description
1	83362	Motor Shroud
2	32318	Screw (4)
3	65097	Flat Washer #6
4	60767	Warning Label
5	45420	Self Tapping Screw #10 - 24 (8)
6	23687	FORWARD/REVERSE Label
7	71997	Toggle Switch
8	66892	Locking Ring
9	23512	Rubber Washer
10	61490	Switch Guard
11	23507	Rubber Boot
12	83407	Battery 14.4V
13	83392	Battery Clips w/Screws
14	83387	Battery Socket Assembly
15	32992	Air Switch
16	35142	Hose Clamp
17	37967	Foot Switch Assembly
18	83417	Charger 115V
	84112	Charger 230V

Electric Components



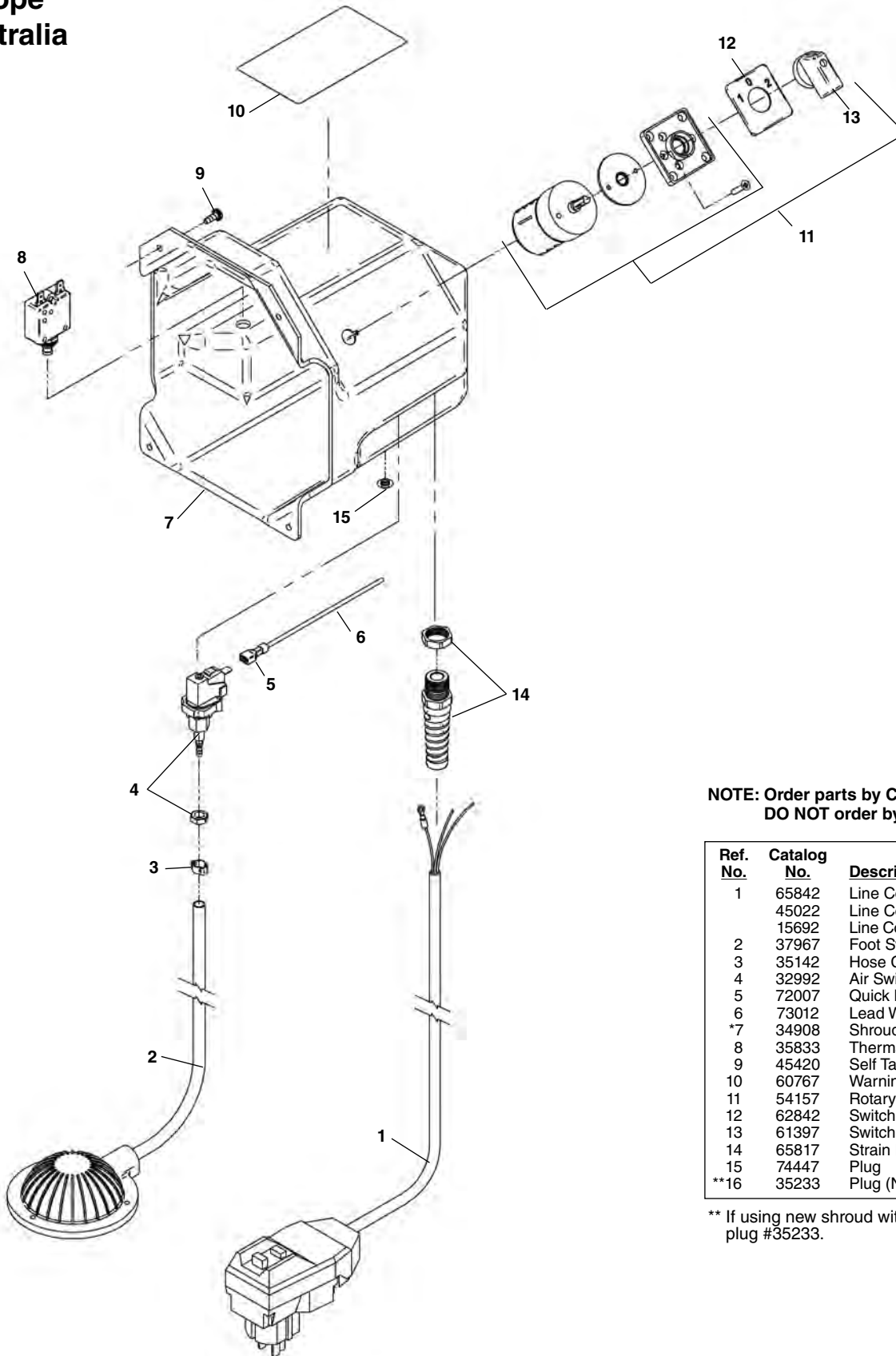
**NOTE: Order parts by Catalog Number only.
DO NOT order by Reference Number.**

Ref. No.	Catalog No.	Description
1	50507	Line Cord w/GFCI - 115V
	66882	Line Cord - 100V Japan
	15707	Line Cord - 230V Export
2	37967	Foot Switch Assembly
3	35142	Hose Clamp
4	32992	Air Switch
5	72007	Quick Disconnect (4)
6	73012	Lead Wire
*7	34908	Shroud
8	34958	Thermal Circuit Breaker
9	45420	Self Tapping Screw #10 - 24 (8)
10	60767	Warning Label
11	23687	FORWARD/REVERSE Label
12	71997	Toggle Switch
13	66892	Locking Ring
14	23512	Rubber Washer
15	61490	Switch Guard
16	23507	Rubber Boot
17	65817	Strain Relief
18	74447	Plug
**19	35233	Plug (NOT SHOWN)

** If using new shroud with old motor must use plug #35233.

Electrical Components

Europe
Australia
U.K.



**NOTE: Order parts by Catalog Number only.
DO NOT order by Reference Number.**

Ref. No.	Catalog No.	Description
1	65842	Line Cord w/GFCI-220V Europe
	45022	Line Cord w/Plug 110V U.K.
	15692	Line Cord w/Plug 240V Australia
2	37967	Foot Switch Assembly
3	35142	Hose Clamp
4	32992	Air Switch
5	72007	Quick Disconnect
6	73012	Lead Wire
*7	34908	Shroud
8	35833	Thermal Circuit Breaker
9	45420	Self Tapping Screw #10 - 24 (8)
10	60767	Warning Label
11	54157	Rotary Switch
12	62842	Switch Plate
13	61397	Switch Knob
14	65817	Strain Relief
15	74447	Plug
**16	35233	Plug (NOT SHOWN)

** If using new shroud with old motor must use plug #35233.

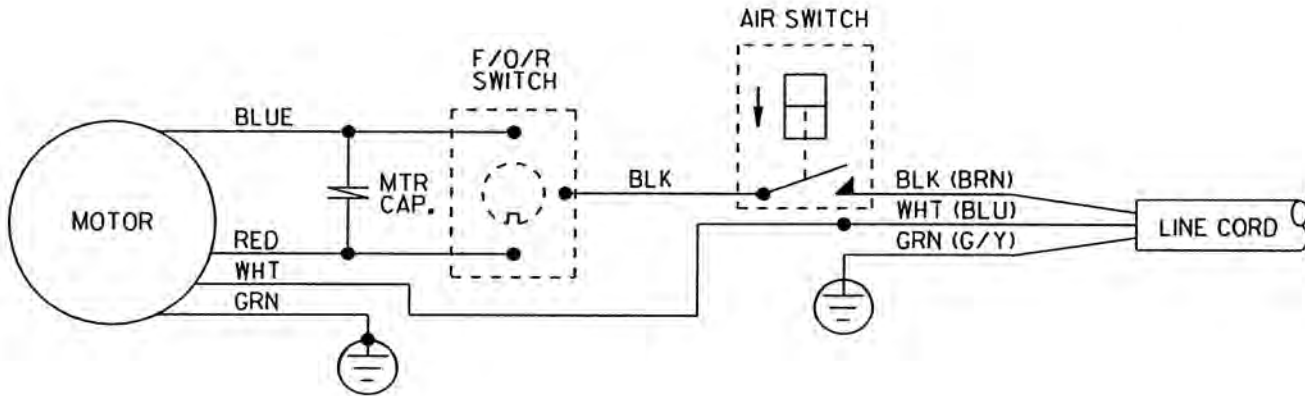
K-40 Wiring

MOTOR WIRING DIAGRAM

115V/60Hz

230V/50Hz Export

100V/50-60Hz Japan

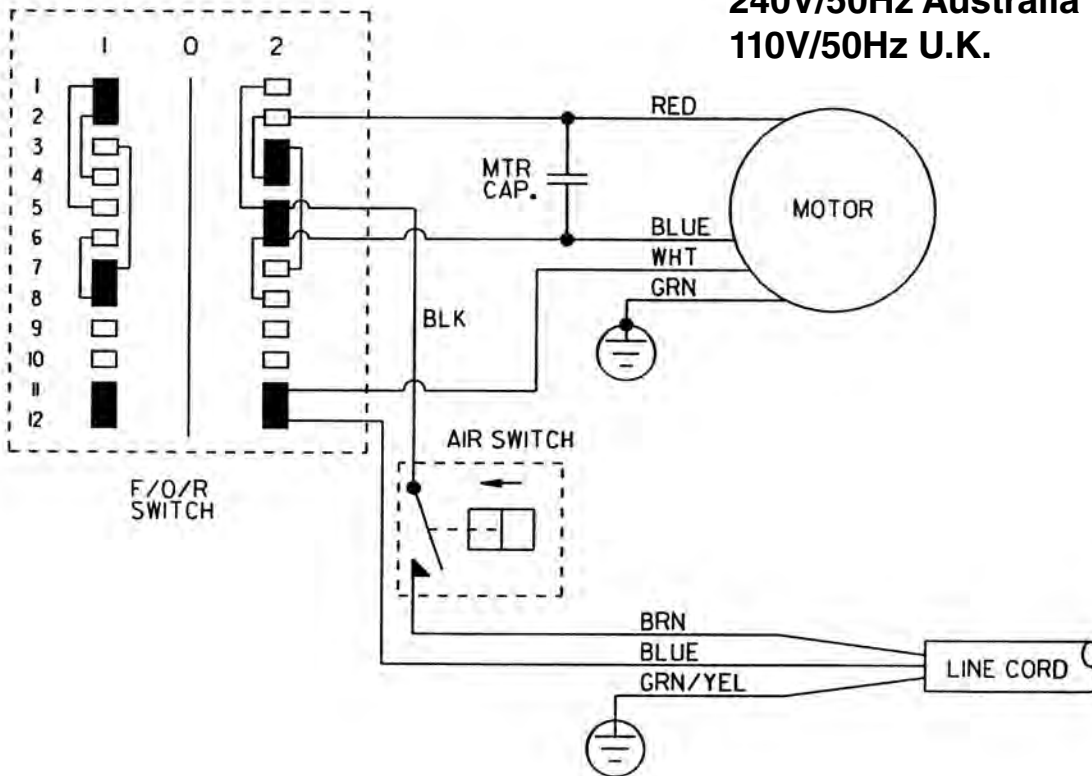


MOTOR WIRING DIAGRAM

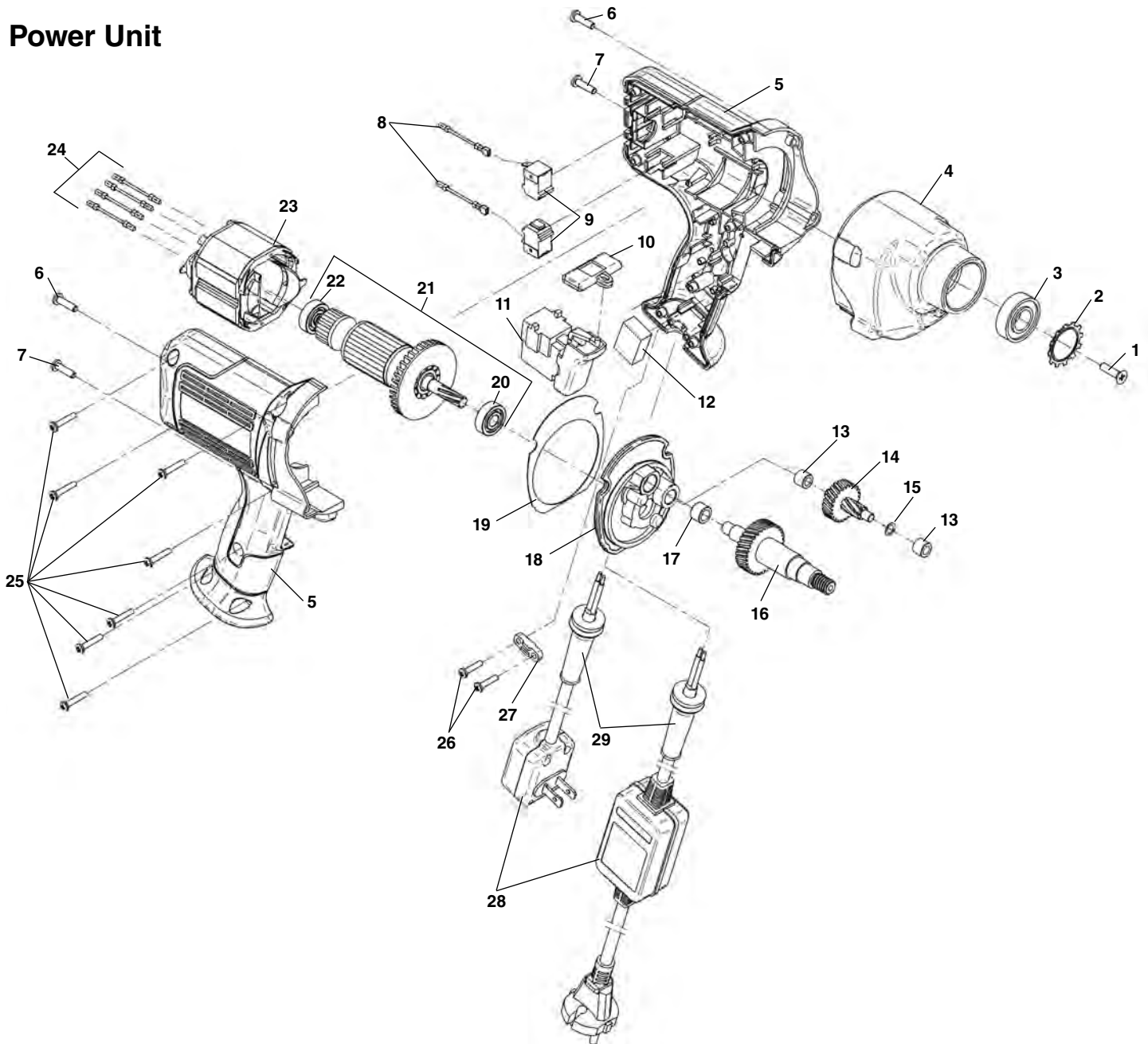
230V/50Hz Europe

240V/50Hz Australia

110V/50Hz U.K.

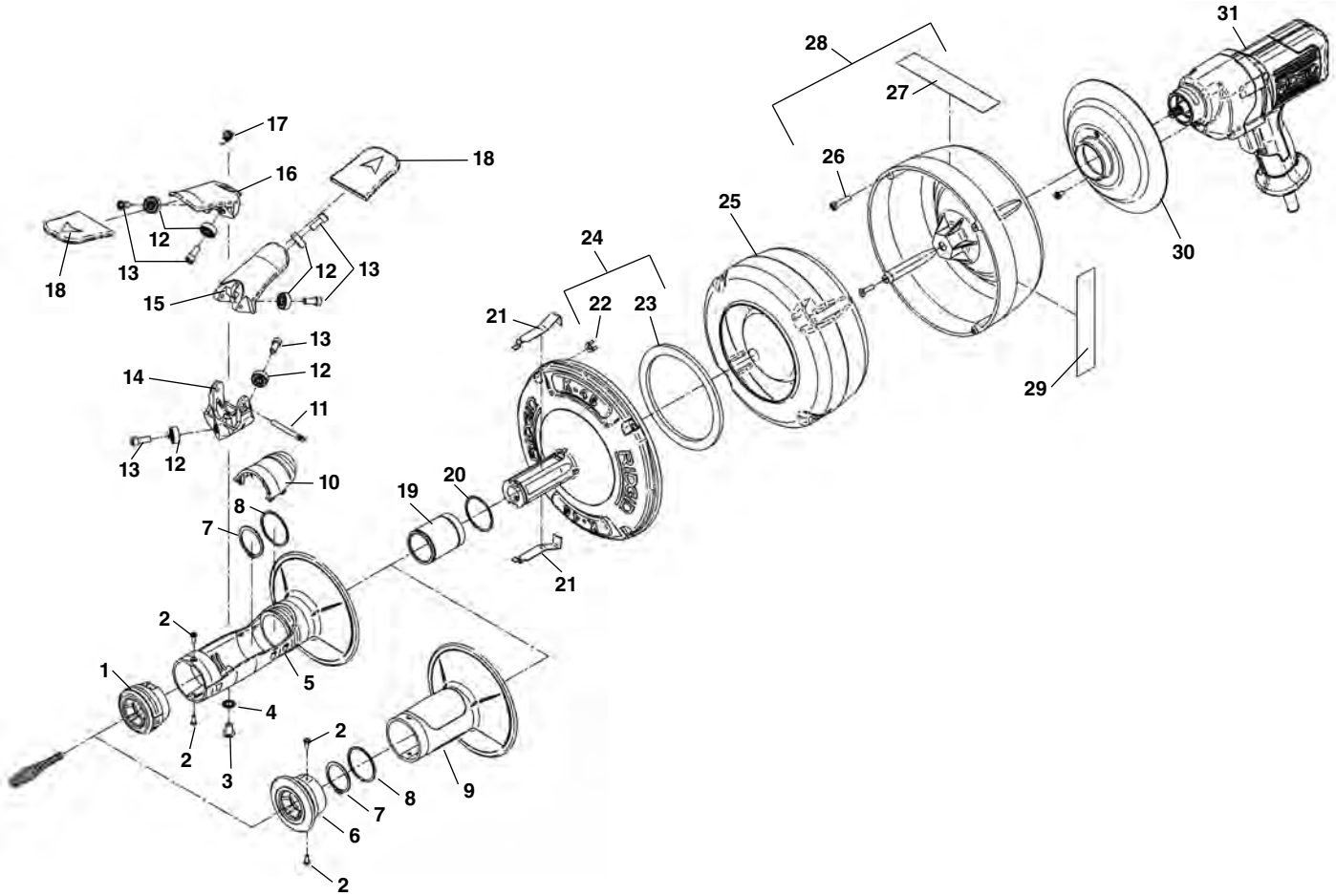


Power Unit



**NOTE: Order parts by Catalog Number only.
DO NOT order by Reference Number.**

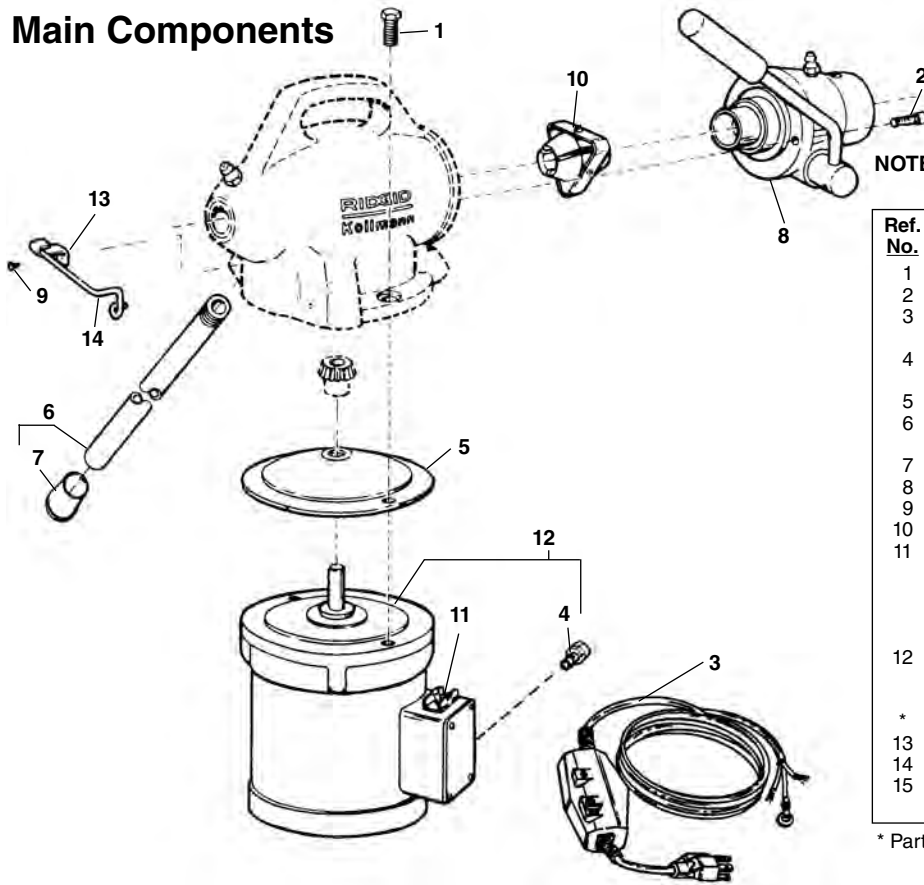
Ref. No.	Catalog No.	Description	Ref. No.	Catalog No.	Description
—	36488	Power Unit, 115V	16	36408	Spindle Gear
—	36493	Power Unit, 230V (Europe)	17	36413	Needle Bearing
—	40018	Power Unit, 230V (Australia)	18	36418	Bearing Plate
1	36333	Screw, LH	19	36423	Gasket
2	36338	Star Washer	20	36428	Bearing
3	36343	Bearing	21	36433	Armature, 115V
4	36348	Gear Housing	22	36438	Armature, 230V
5	36353	Housing Set	23	36443	Bearing
6	36358	Screw, M4 x 25	24	36448	Field, 115V
7	36363	Screw, M4 x 41	25	36453	Field, 230V
8	36368	Brush Wire Set	26	36458	Lead Wire Set
9	36373	Brush Set	27	36463	Screw
10	36378	Switch Lever	28	36468	Screw
11	36383	Switch 115V	29	36473	Cord Clamp
	38023	Switch 230V		36478	Line Cord, 115V
12	36388	Capacitor 230V		36483	Line Cord, 230V (Europe)
13	36393	Needle Bearing		40023	Line Cord, 230V (Australia)
14	36403	Intermediate Gear		48168	Strain Relief
15	36398	Washer			



**NOTE: Order parts by Catalog Number only.
DO NOT order by Reference Number.**

Ref. No.	Catalog No.	Description	Ref. No.	Catalog No.	Description
1	24163	Nose Piece, Auto	17	24228	Torsion Spring
2	24168	Screw	18	30138	AUTOFEED Lever Cover
3	24178	Button Screw 5/16" - 18	19	24233	Sleeve
4	92255	Lockwasher	20	41512	Spiral Ring
5	24183	Hand Grip, Auto	21	24243	Clamp Spring
6	24188	Nose Piece, Manual	22	68942	Clips
7	24193	Retaining Ring	23	47252	Gasket
8	41512	Spiral Ring	24	24238	Drum Front
9	24198	Hand Grip, Manual	25	68917	Drum Liner
10	24203	Top Grip Cap	26	69542	Screw 10-32 x 1
11	24208	Pivot Pin	27	24249	Caution Label
12	67997	Roller Bearing	28	68932	Drum Back
13	39830	Socket HD Cap Screw	29	36503	Warning Label
14	24213	AUTOFEED Carriage	30	36498	Drum Guard
15	24218	Reverse Lever	31	36488	Power Unit 115V
16	24223	Forward Lever		36493	Power Unit 230V

Main Components

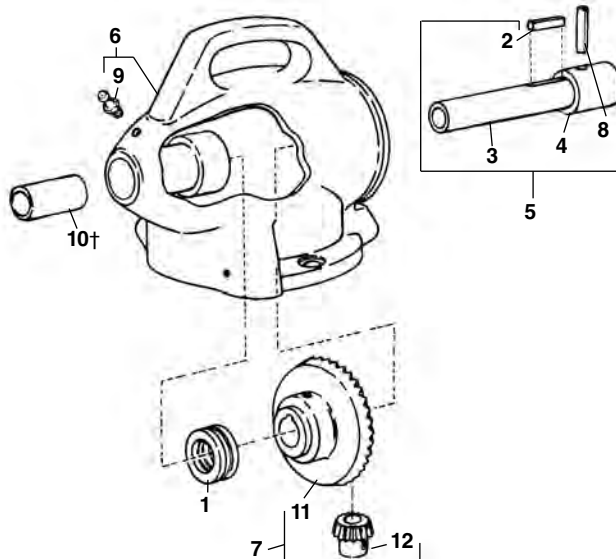


NOTE: Order parts by Catalog Number only. DO NOT order by Reference Number.

Ref. No.	Catalog No.	Description
1	59785	Screw (2)
2	60910	Screw (2)
3	50507	Cord with GFCI
	27656	Cord (Europe)
4	96265	Strain Relief
	27187	Strain Relief (Europe)
5	61935	Insulating Motor Gasket
6	59825	Legs w/Rubber Feet (3 per set) (Incl. Ref. No. 7)
7	59965	A-2240 Rubber Feet (3)
8	59975	A-2244-X Rack and Pinion Assembly
9	59990	A-2256 Screw (2)
10	59450	A-3179 Clutch Jaw Assembly
11	95845	Switch DPDT - 6 Terminal (Emerson Motor)
	41817	Switch 3PDT - 9 Terminal 115/230V 50/60Hz
	24236	Switch (Europe)
	32633	Rotary Switch Allwin Motor
12	69265	Motor Assembly - 115V (Incl. Ref. Nos. 4 and 11)
	16716	Motor Assembly (230V Europe)
*	52237	Motor Assembly (100V Japan)
13	89800	Catch
14	89805	Pin
15	84507	K-50 Contact Switch (Emerson Motor Only -Parts Not Shown)

* Parts Not Shown - Europe Only

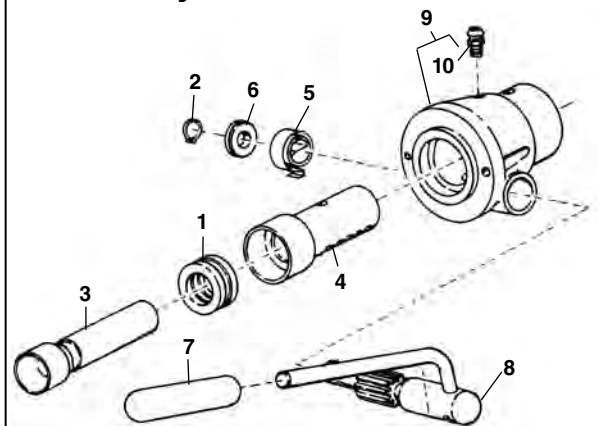
Bevel Gear and Related Parts



Ref. No.	Catalog No.	Description	Ref. No.	Catalog No.	Description
1	59945	Bearing	7	60985	Bevel and Pinion Gear w/Set Screws
2	60680	Key	8	76830	Spring Pin
3	61570	Shaft	9	89810	Grease Fitting
4	61575	Cone	10†	61715	Bronze Bushing
5	59695	Shaft with Cone	11	24577	Bevel Gear w/Key
6	59960	Body	12	24572	Pinion Gear w/Key

† Service Note: After replacing Bronze Bushing a 1/4" drill bit must be used for drilling a grease hole port for grease fitting.

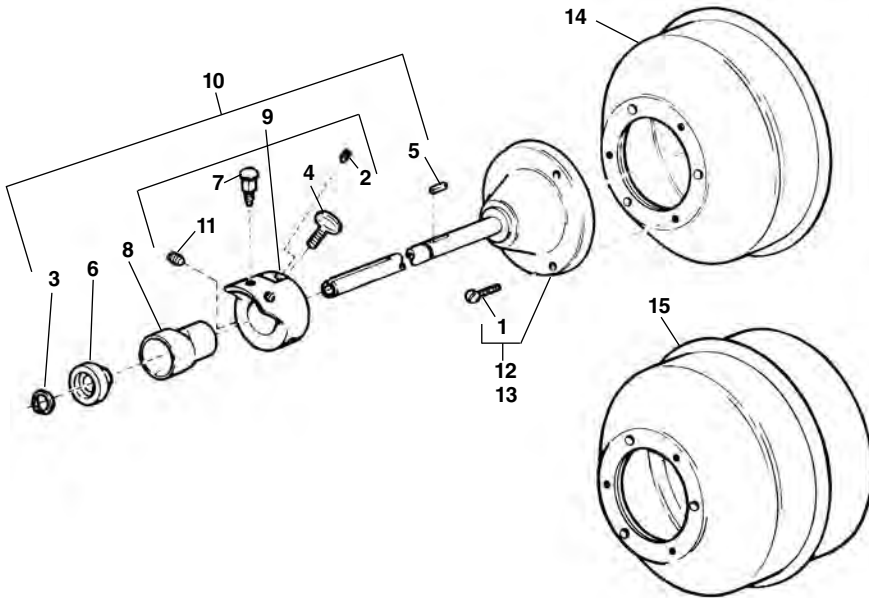
Rack and Pinion Assembly No. A-2244



Ref. No.	Catalog No.	Description
—	59975	Rack & Pinion Assembly
1	59945	Bearing
2	60860	Retaining Ring
3	61580	Rear Clutch Cone Sleeve
4	61585	Gear Rack
5	61595	Pinion Spring
6	61600	Pinion Stem Washer
7	61605	Handle Grip
8	59980	Handle with Pinion Assembly
9	60965	Rack and Pinion Housing (Incl. Ref. No. 10)
10	89810	Grease Fitting

Cable Adapters

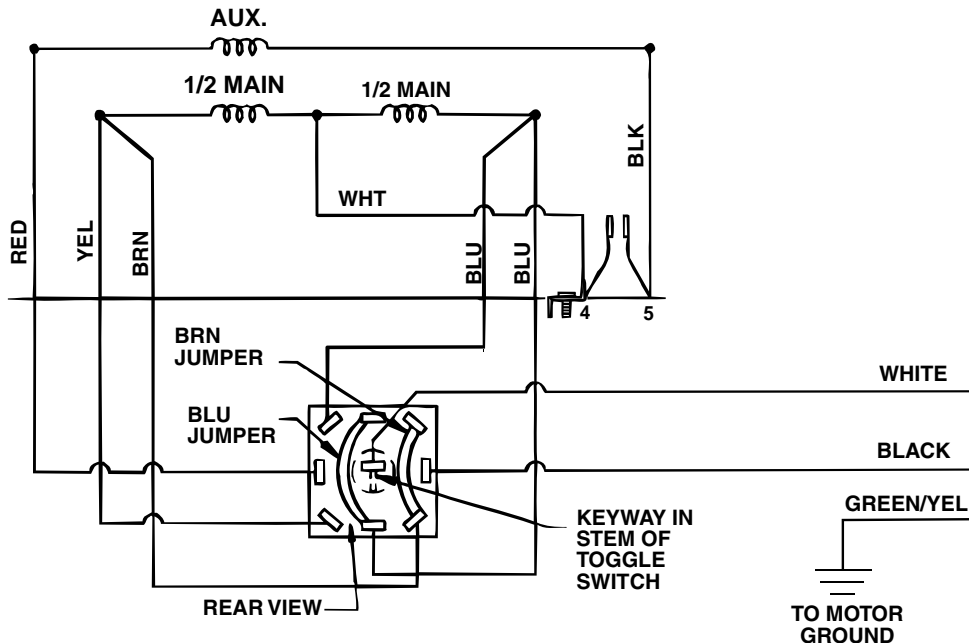
Cable No.	Description
59250	A-17-A Cable Adapter (Includes C-1 Cable - 5/16" x 25' long with Bulb Auger)
59245	A-17-A Cable Adapter - Less Cable
59255	A-17-B Cable Adapter (Includes C-5 Cable - 3/8" x 35' long with Bulb Auger)
59260	A-17-B Cable Adapter - Less Cable
59265	A-17-C Cable Adapter (Includes C-6 Cable - 3/8" x 35' long with Male Coupling)
59260	A-17-C Cable Adapter - Less Cable
92095	A-17-D Cable Adapter (Includes C-21 Cable - 5/16" x 50' long with Bulb Auger)
92100	A-17-E Cable Adapter (Includes C-22 Cable - 5/16" x 50' long with Drop Head Auger)



NOTE: Order parts by Catalog Number only. DO NOT order by Reference Number.

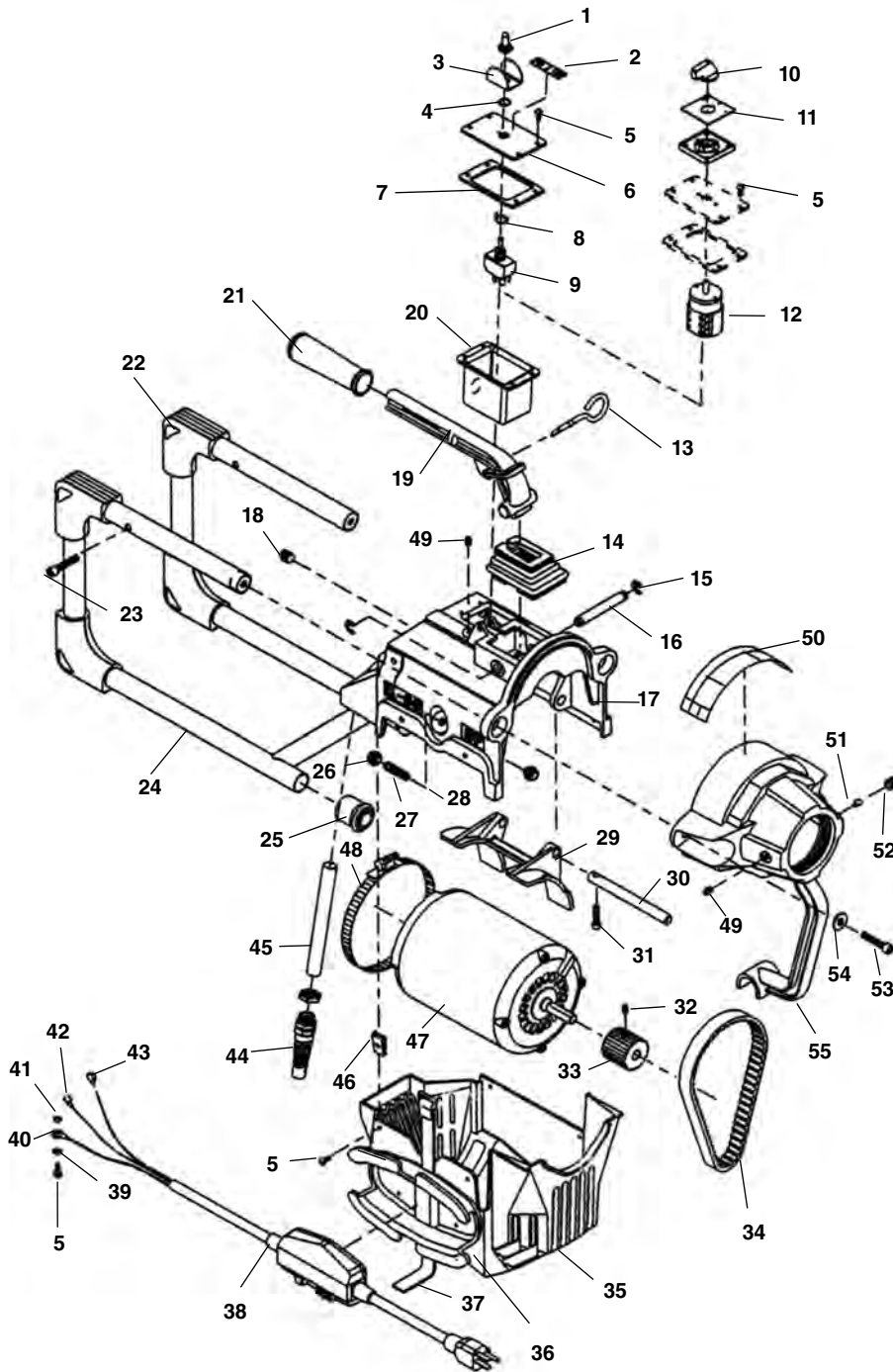
Ref. No.	Catalog No.	Description
1	61540	Screw (3)
2	61550	Screw
3	61555	Retaining Ring
4	79935	Thumb Screw (2)
5	61565	Key
6	61735	Brake Cone (Male)
7	59510	Plunger Pin
8	59630	Brake Cone (Female)
9	59760	Adapter Bracket
10	59790	Adapter Bracket Assembly (Incl. Ref. Nos. 7, 4, 2 and 11)
11	60025	Screw (2)
12	60325	Tube and Flange with Screws (5/16" Cable Adapter) (Incl. Ref. No. 1)
13	60335	Tube and Flange with Screws (3/8" Cable Adapter) (Incl. Ref. No. 1)
14	63255	Cable Container (5/16" x 25' Cable Only)
15	63250	Cable Container (3/8" x 35' and 5/16" x 50' Cable)

K-50 Motor Wiring Diagram 120V 50/60Hz



Main Body Components

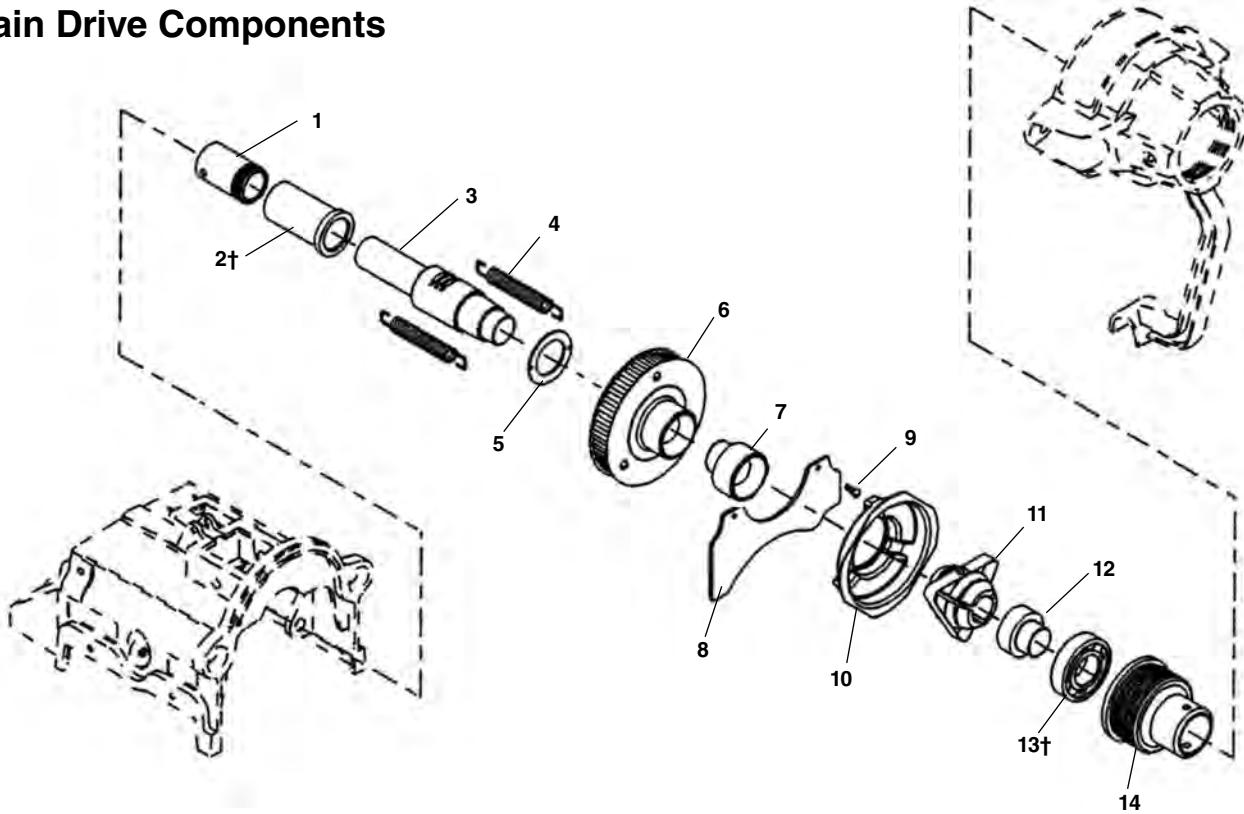
**NOTE: Order parts by Catalog Number only.
DO NOT order by Reference Number.**



Ref. No.	Catalog No.	Description
1	23507	Rubber Boot
2	23687	FOR/OFF/REV Decal
3	61490	Switch Guard
4	23512	Rubber Washer
5	93585	10 - 24 x 1/2" Screw (9)
6	65762	Switch Box Cap
7	66887	Gasket
8	66892	Locking Ring
9	23612	Toggle Switch
10	61397	Switch Knob (Export)
11	57517	FOR/OFF/REV Switch Plate (Export)
12	54157	Switch (Export)
13	59225	Pin Key
14	65852	Rubber Boot
15	65742	Retaining Rings (2)
16	65737	Pinion Shaft
17	65732	Main Housing Assembly
18	65867	Plastic Socket Set Screw
19	65747	Handle Assembly w/Grip
20	65757	Switch Box
21	60827	Handle Grip
22	65772	Frame Bumpers (4)
23	79685	5/16" - 18 x 1 1/2" Socket Screw (4)
24	65767	Frame Assembly w/Bumpers
25	37962	Rubber Foot (2)
26	83545	3/8" - 16 Hex Jam Nut
27	65782	3/8" Stud
28	65787	Nylon Acorn Nut
29	65792	Motor Mounting Bracket
30	65797	Motor Mounting Pin
31	59935	1/4" - 20 x 1" Socket Screw
32	87580	1/2" - 20 Set Screw
33	65807	Motor Pulley
34	65802	Belt
35	65822	Motor Shroud w/Cord Wrap (Inc. Ref No. 46)
36	66907	Cord Wrap w/Rivets
37	48007	Cinching Strap
38	50497	Replacement GFI Cord
—	65842	Replacement GFI Cord (Europe)
—	66882	Line Cord (Export)
—	66757	Accessory GFCI (Europe)
39	61310	Star Washer
40	59955	Ring Terminal
41	87970	#10 - 24 Nut
42	59007	Terminal
43	59002	Splicer
44	65817	Strain Relief w/Nut
45	59342	Insulator Tube
46	65857	Clips (4)
47	65832	Motor - 115V/60Hz
—	65837	Motor - 230V/50Hz (Europe)
—	66872	Motor - 100V (Japan)
48	65812	Bracket Strap (2)
49	65657	Grease Fitting (2)
50	65667	Warning Label
—	65862	Warning Label (Export)
51	65662	Nylon Plug
52	42037	1/2" - 13 x 1/2" Screw
53	79685	1/2" x 1 1/2" Socket Screw (2)
54	60065	Washer (2)
55	65652	Jaw Housing Assembly (Inc. Ref. #'s 49, 51, 52)
56	67422	Thermal Overload f/Motor (Not Shown)

† - Apply Loctite® #411 to Frame Bumper (Ref. #22)

Main Drive Components



**NOTE: Order parts by Catalog Number only.
DO NOT order by Reference Number.**

Ref. No.	Catalog No.	Description	Ref. No.	Catalog No.	Description
1	65727	Steel Insert	8	65697	Baffle
2†	65722	Sleeve Bearing	9	61110	10 - 32 x 3/8" Screw (2)
3	65712	Shaft w/Rack	10	65692	Jawset Cover
4	65717	Extension Spring (2)	11	65687	Clutch Jaw
5	65707	Spring Plate	12	65682	Idler Cone
6	65702	Pulley Assembly	13†	65677	Bearing (2)
7	66897	Drive Cone	14	65672	Adjustment Cap

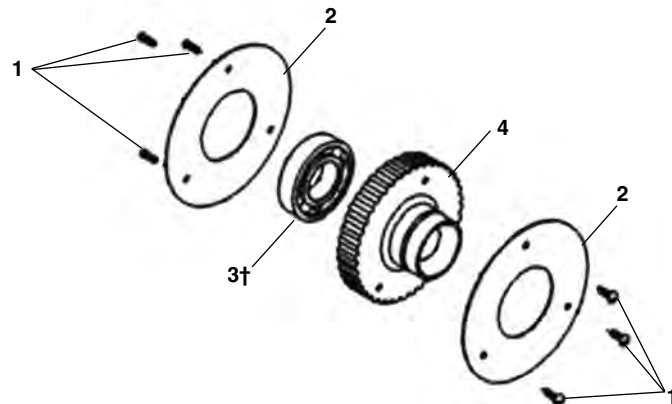
† – Apply Loctite® #642 to O.D of Sleeve Bearing (Ref. #2).

† – Apply Loctite® #642 to I.D. of Bearing (Ref. #13) prior to assembly into Shaft w/Rack (Ref. #3) and Idler Cone (Ref. #12).

Pulley Assembly

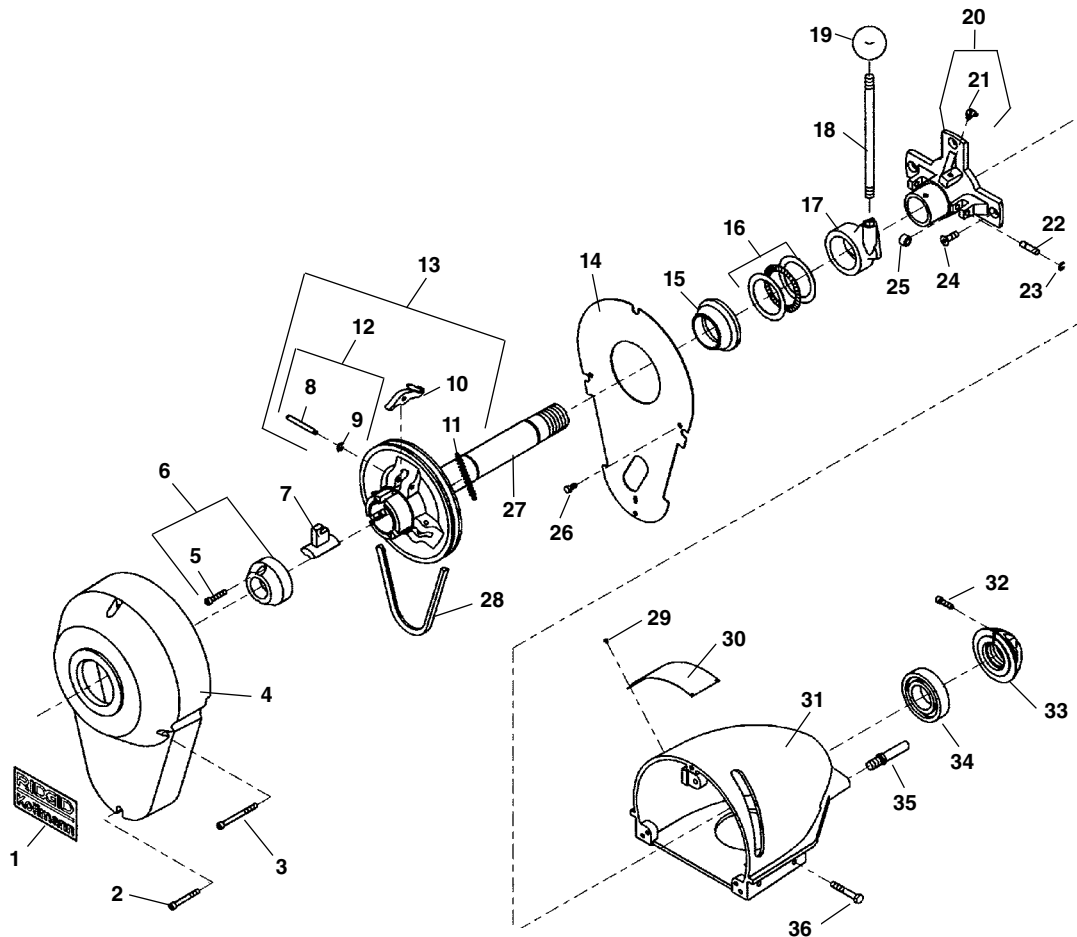
Ref. No.	Catalog No.	Description
—	65702	Pulley Assembly
1	61110	10 - 32 x 3/8" Screw (6)
2	66877	Pulley Flange (2)
3†	65677	Bearing (2)
4	66902	Pulley

† – Apply Loctite® #642 to I.D. of Bearing (Ref. #3) prior to assembly into Shaft w/Rack (Ref. #3) and Idler Cone (Ref. #12).



Main Components

**K-75A
K-75B
K-1500A
K-1500B
K-1500ASP
K-1500BSP**

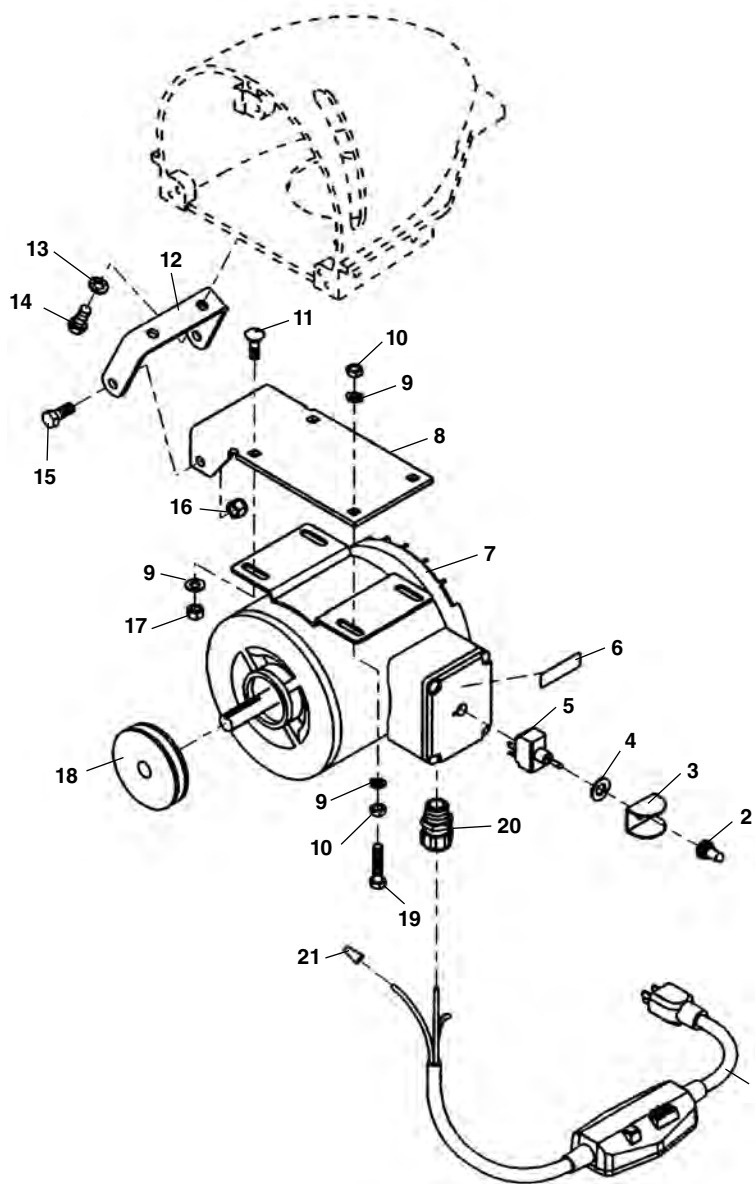


**NOTE: Order parts by Catalog Number Only.
DO NOT order by Reference Number.**

Ref. No.	Catalog No.	Description	Ref. No.	Catalog No.	Description
1	23657	Label (K-75)	18	59575	Clutch Handle
	24097	Label (K-1500)	19	59585	Clutch Knob
2	44510	Screw	20	23552	Main Bearing
3	23652	Screw (3)	21	89815	Grease Fittings
4	23547	Front Guard	22	23592	Pin (2)
5	84425	Screw (2)	23	34175	Retaining Ring (2)
6	59500	Nose Piece (Incl. Ref. #29)	24	68875	Screw (3)
7	59330	Jaw Assembly (K-75) 5/8" Cable	25	61015	Roller (2)
	59325	Jaw Assembly (K-75/K-1500) 7/8" Cable	26	60265	Screw (2)
	59320	Jaw Assembly (K-1500) 1 1/4" Cable	27	23562	Pulley & Shaft Assembly
8	90105	Pin (3)	28	23577	V-Belt
9	78780	Retaining Ring	29	76730	Screw (6)
10	59530	Rocker Arm Set	30	23632	Warning Label
11	60155	Spring (3)		45282	Warning Label (SP Models Only)
12	60150	Rocker Arm Pin	31	23542	Body
13	60145	Rocker Arm Kit	32	60910	Screw
14	23567	Inside Guard	33	60935	Lock & Adj. Nut (Incl. #2)
15	23572	Clutch Cone	34	60930	Ball Bearing
16	23677	Thrust Bearing Assembly	35	59580	Guide Hose Pin (2)
17	23557	Clutch Casting	36	43757	Screw (4)

K-75A K-75B K-1500A K-1500B

Motor Components

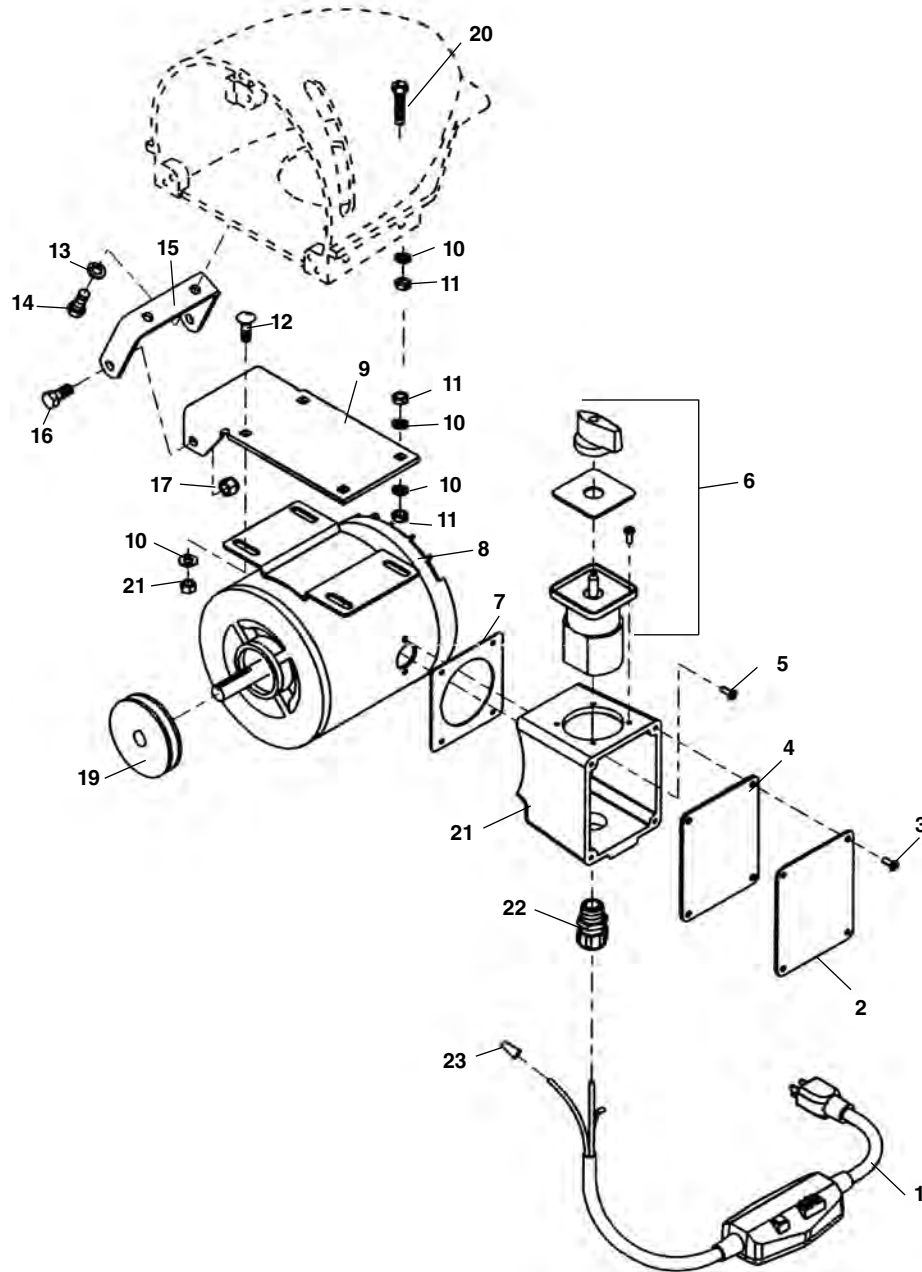


**NOTE: Order parts by Catalog Number Only.
DO NOT order by Reference Number.**

Ref. No.	Catalog No.	Description	Ref. No.	Catalog No.	Description
1	50507	Line Cord w/GFCI	11	96260	Carriage Bolt $\frac{5}{16}$ " - 18 x $\frac{3}{4}$ " (3)
2	23507	Rubber Boot	12	23642	Motor Bracket
3	61490	Switch Guard	13	60085	Lock Washer (2)
4	23512	Rubber Washer	14	60380	Screw (2)
5	23612	Switch	15	59785	Screw (2)
6	23687	FOR-REV Decal	16	43947	Lock Nut $\frac{3}{16}$ " - 16 (2)
7	23517	Motor $\frac{1}{2}$ Hp 120V 60Hz (K-75)	17	60230	Hex Nut $\frac{3}{16}$ " - 18 (3)
	23522	Motor $\frac{3}{4}$ Hp 120V 60Hz (K-1500)	18	23582	Pulley (K-1500)
	50567	Motor $\frac{3}{4}$ Hp 220/240V 50Hz (K-1500)		23587	Pulley (K-75)
8	54582	Motor Table	19	43847	Hex Screw $\frac{5}{16}$ " - 18 x 1 $\frac{1}{2}$ "
9	60080	Lock Washer $\frac{5}{16}$ " (2)	20	96265	Strain Relief
10	61115	Jam Nut $\frac{5}{16}$ " - 18 (2)	21	44635	Wire Nut

Motor Components

**K-1500ASP
K-1500BSP**

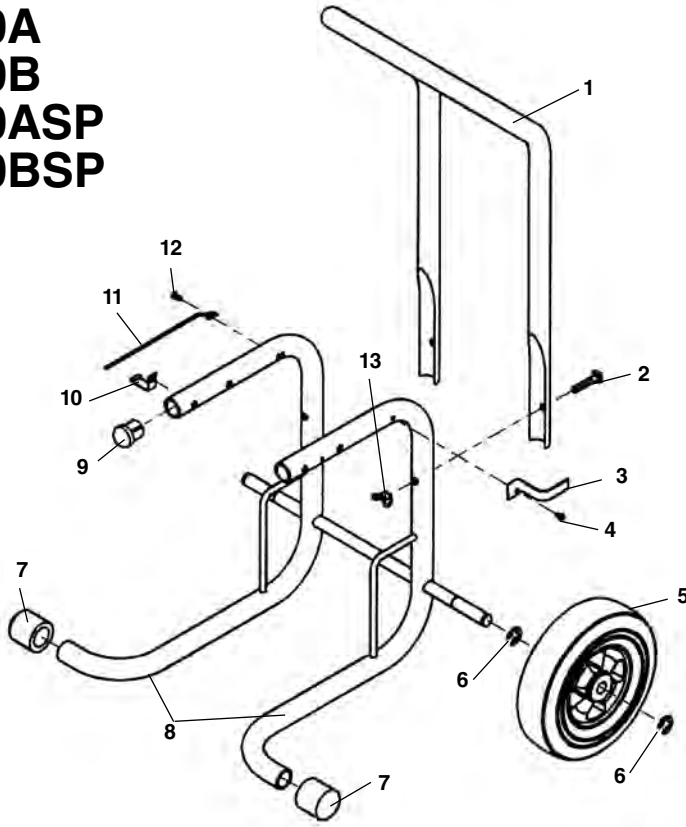


**NOTE: Order parts by Catalog Number Only.
DO NOT order by Reference Number.**

Ref. No.	Catalog No.	Description	Ref. No.	Catalog No.	Description
1	50502	Line Cord w/GFCI	11	61115	Jam Nut 5/16" - 18 (3)
	45022	Line Cord 110V - U.K.	12	96260	Carriage Bolt 5/16" - 18 x 3/4" (3)
	39562	Line Cord - Europe	13	60085	A-2290 Lock Washer (2)
	15707	Line Cord - Export	14	60380	A-2481 Screw (2)
2	45272	Cover Plate	15	23642	Motor Bracket
3	59990	Screw #10	16	59785	A-210 Screw (2)
4	45267	Cover Plate Gasket	17	43947	Lock Nut 3/8" - 16 (2)
5	43932	A-2256 Screw (2)	18	60230	Hex Nut 5/16" - 18 (3)
6	20113	Switch Assembly (Includes Ref. No. 6-8)	19	45227	Pulley
7	45257	Switch Box Gasket	20	43757	Hex Screw 5/16" - 18 x 2"
8	45237	Motor 1 HP 120/220/240V 50/60Hz	21	45262	Switch Box
9	54582	Motor Table	22	36732	Strain Relief
10	60080	Lock Washer 5/16" (6)	23	44635	Wire Nut

**K-75A
K-75B
K-1500A
K-1500B
K-1500ASP
K-1500BSP**

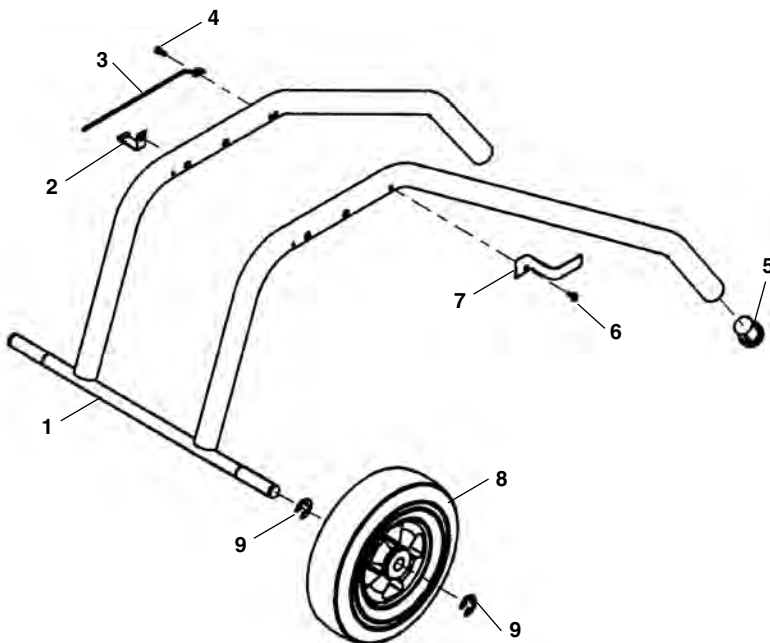
A Frame



**NOTE: Order parts by Catalog Number Only.
DO NOT order by Reference Number.**

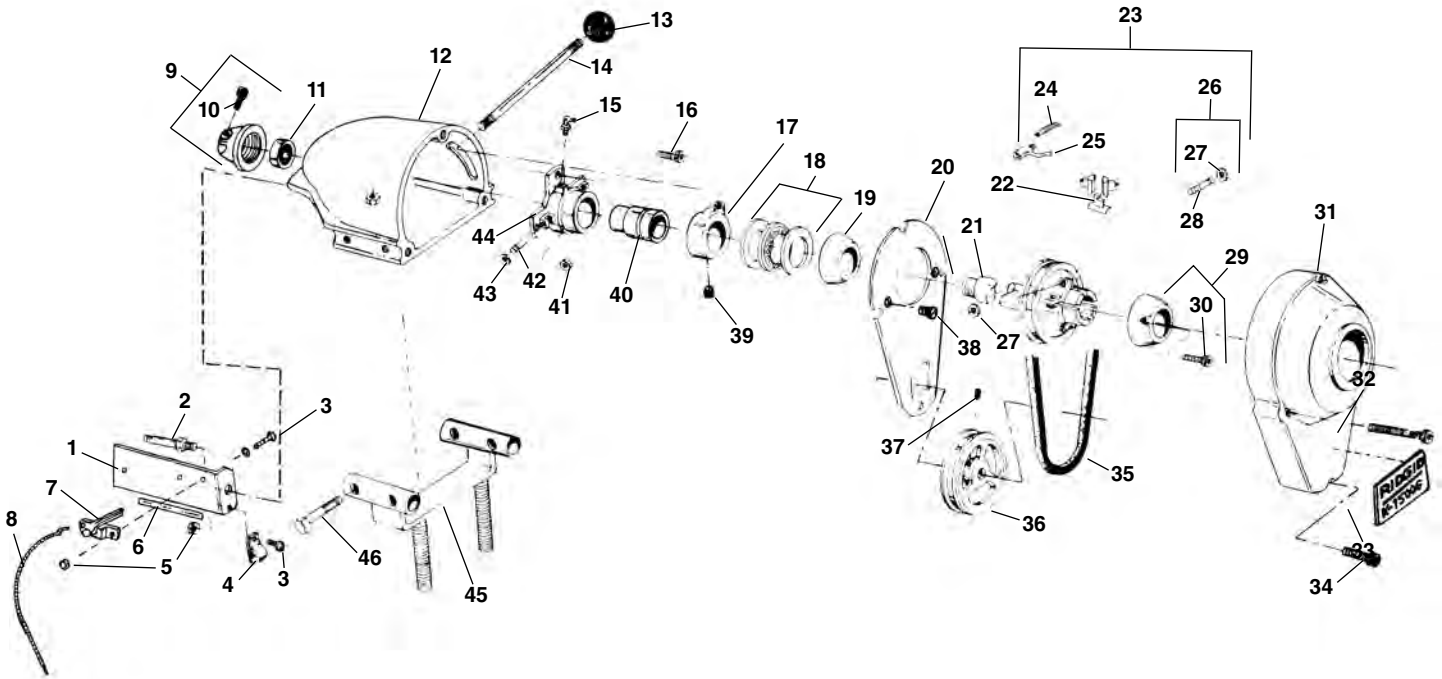
Ref. No.	Catalog No.	Description
1	23537	Handle (Type "A")
2	23617	Bolt (2)
3	61965	Cord Hook w/Screw (2)
4	61500	A-427 Screw (2)
5	23602	Wheel (K-75, K-1500) (2)
	23597	Wheel (SP Models Only) (2)
6	60050	A-2281 Retaining Ring (4)
7	23607	Leg End Cap (2)
8	23532	Frame Assembly
9	61470	A-394 Rubber Plug (2)
10	23647	Tool Clip Bracket
11	23622	Tool Clip
12	59990	A-2256 Screw
	45217	A-7875 Screw (SP Models Only)
13	45385	E-3328 Wing Nut (2)

B Frame



Ref. No.	Catalog No.	Description
1	23672	Frame Assembly
2	23647	Tool Clip Bracket
3	23622	Tool Clip
4	59990	A-2256 Screw
	45217	A-7875 Screw (SP Models Only)
5	61470	A-394 Rubber Plug (2)
6	61500	A-427 Screw (2)
7	61965	Cord Hook w/Screw (2)
8	23602	Wheel (K-75, K-1500) (2)
	23597	Wheel (SP Models Only) (2)
9	60050	A-2281 Retaining Ring (4)

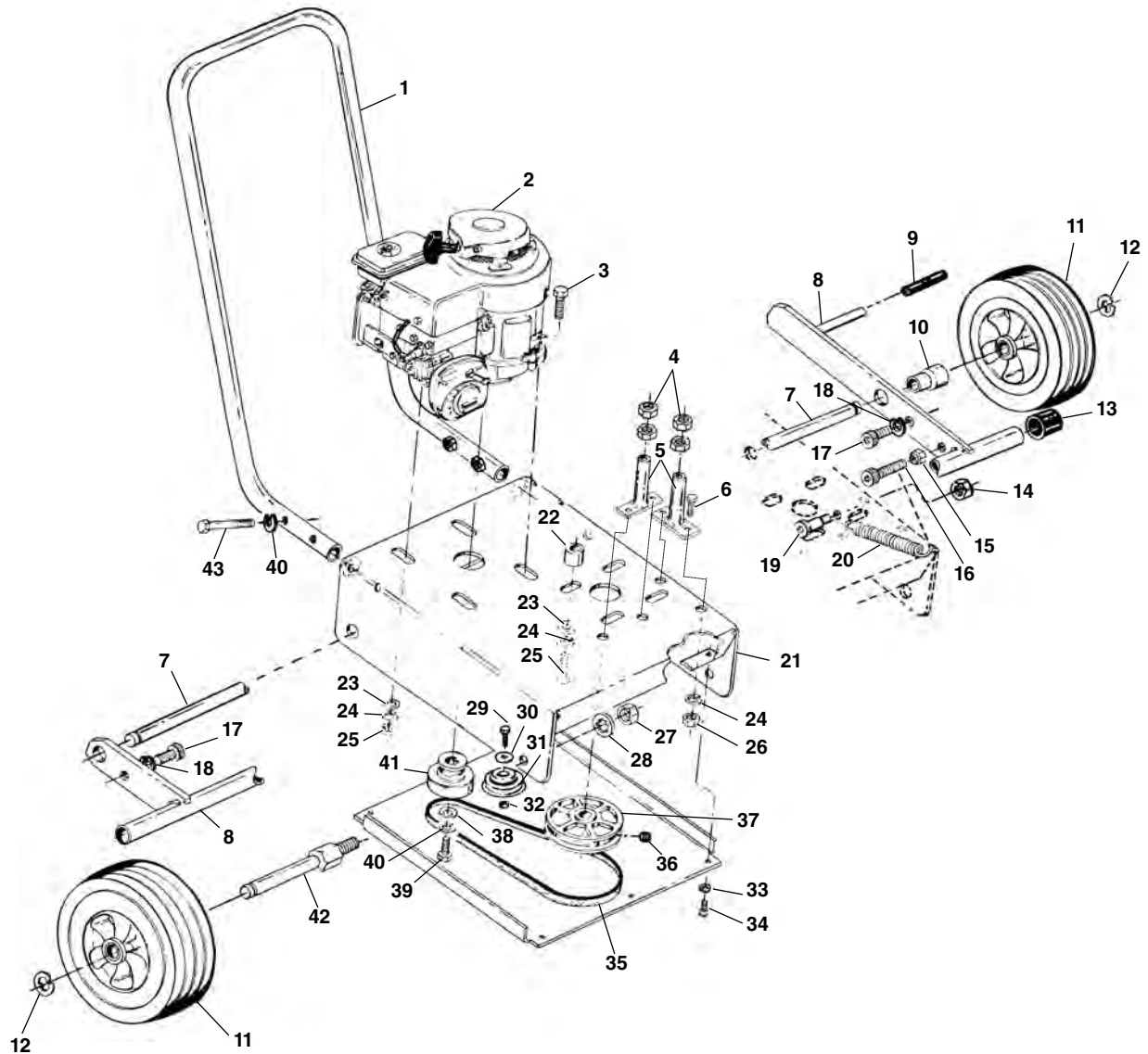
Main Drive and Body Components



**NOTE: Order parts by Catalog Number only.
DO NOT order by Reference Number.**

Ref. No.	Catalog No.	Description	Ref. No.	Catalog No.	Description
1	43692	Splash Guard	26	60150	Rocker Arm Pin w/Clip (3)
2	59580	Guide Hose Pin (2)	27	78780	E-3562 Retaining Ring (3)
3	87975	R.H. Screw 10-24 x 5/8" (4)	28	90105	Pin (3)
4	43697	Cable Clamp (2)	29	59500	Nose Piece
5	87970	Nut 10 - 24 (4)	30	84425	Screw (2)
6	59282	Engine Throttle Decal	31	23547	Front Guard
7	58937	Lever Assy. - Throttle Control	32	23652	Soc. Hd. Screw 1/4" x 2 3/4" (3)
8	58942	Throttle Cable	33	43717	Label
9	60935	Lock and Adj. Nut (Incl. #7)	34	44510	Soc. Hd. Screw 1/4" - 20 x 2"
10	60910	Soc. Hd. Screw 1/4" - 20 x 5/8"	35	43722	V-Belt - Cable
11	60930	Ball Bearing	36	43727	Pulley - Cable
12	43702	Body		91002	Pulley - (Tecumseh Transmission)
13	59585	Knob	37	60025	Set Screw (2)
14	59575	Clutch Handle	38	60265	Hex Screw 1/4" - 20 x 1/2" (2)
15	89815	Grease Fitting	39	93560	Pan Screw 1/4" - 20 x 5/8"
16	68875	F.H. Screw 7/16" - 18 x 1" (3)	40	84435	Bronze Bushing
17	23557	Clutch Casting	41	61015	Roller (2)
18	23677	Thrust Bearing Assembly	42	23592	Pin (2)
19	23572	Clutch Cone	43	34175	Retaining Ring (2)
20	43712	Inside Guard	44	45247	Main Bearing with Bronze Bushing
21	23562	Pulley and Shaft Assembly	45	43762	Mounting Bracket
22	59325	7/8" Jaw Assembly		91022	Mounting Bracket (Tecumseh Transmission)
	59320	1 1/4" Jaw Assembly	46	43757	Hex Head Screw (4)
23	60145	Rocker Arm Kit			
24	60155	Spring (3)			
25	59530	Rocker Arm Set			

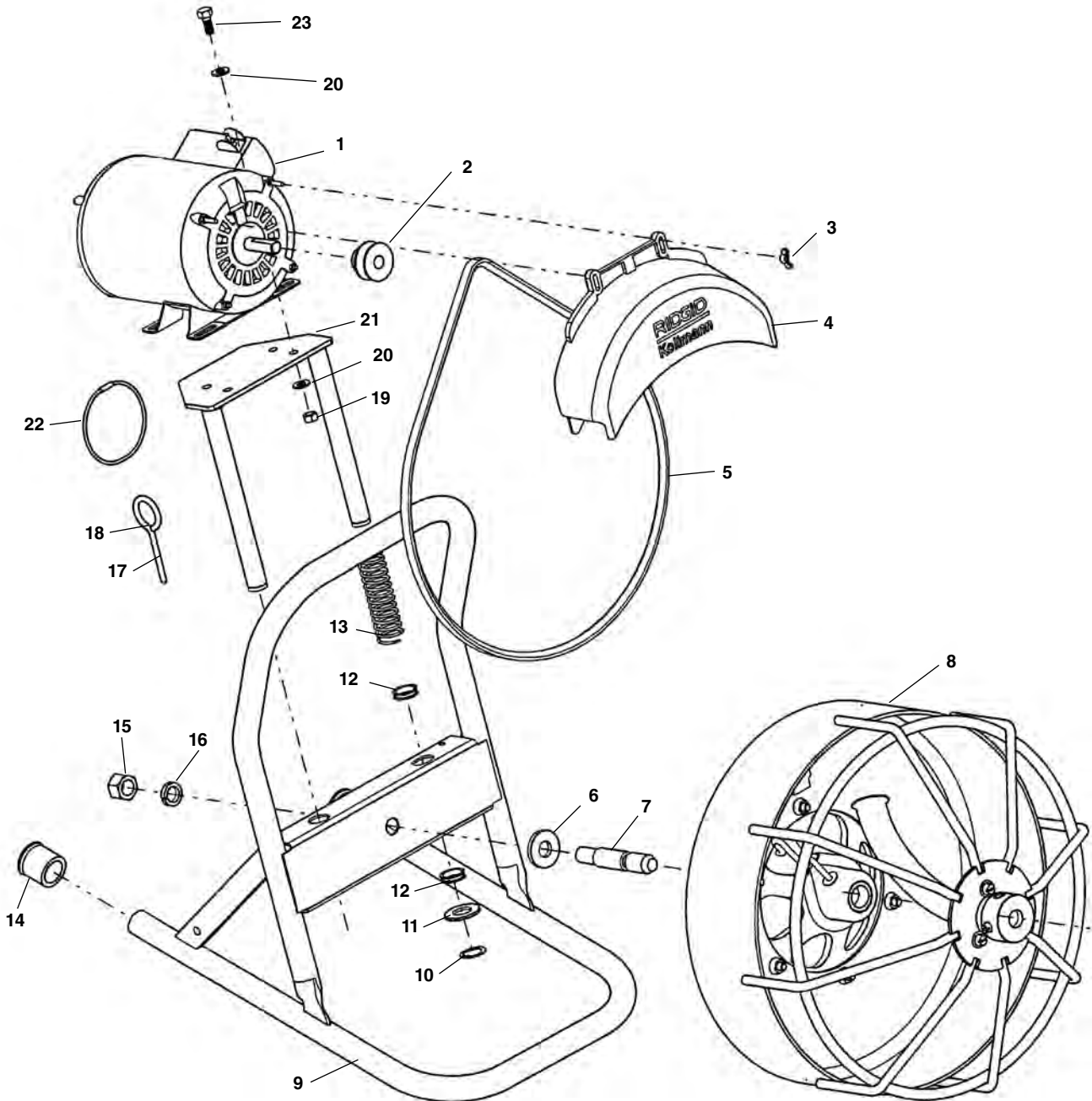
Main Drive and Body Components



**NOTE: Order parts by Catalog Number Only
DO NOT order by Reference Number.**

Ref. No.	Catalog No.	Description	Ref. No.	Catalog No.	Description	Ref. No.	Catalog No.	Description
1	43752	Handle Assembly	18	43807	Lock Washer 3/8" (2)	34	60000	Rd. Head Screw 10-32 x 3/8" (6)
2	66977	Engine/6HP	19	84680	Shld Screw 5/16" x 1/2" (2)	35	60130	"V" Belt/5HP
3	60515	Hex Hd. Screw 5/16" - 18 x 1 1/4" (4)	20	43812	Extension Spring (2)	35	66967	"V" Belt/6HP
4	43827	Hex Nut 1" - 8 (4)	21	43817	Base Assembly	36	60025	Set Screw
5	43822	Mounting Bracket Supports (2)		91312	Base Assembly (Tecumseh)	37	43832	Pulley - Trans
6	91292	Left Mounting Bracket (Tecumseh)	22	43852	Spacer-Trans. (4)		91017	Pulley (Tecumseh)
7	43842	Rear Axle		91297	Trans. Spacer (Tecumseh)	38	61275	Washer 3/8"
8	43787	Stabilizer Assembly	23	60060	Flat Washer 5/16" (8)	39	61435	Hex Screw 3/8" x 1-1 1/4"
9	61605	Handle Grip	24	61445	Ext. Lock Washer 5/16" (12)	40	60085	Lock Washer 3/8" (4)
10	43792	Spacer - Axle (2)	25	43847	Hex Nut 5/16" - 18 x 1 1/2" (4)	41	61380	Clutch
11	23597	Wheel (4)	26	60230	Hex Nut 5/16" - 18 (8)	42	43837	Front Axle
12	60050	Retaining Ring (4)	27	61455	Hex Nut 1/2" - 13 (2)	43	76870	Hex Head Screw 3/8" - 16 x 2 1/4" (5)
13	23607	End Cap (2)	28	60090	Lock Washer 1/2" (2)	Not Shown		
14	80370	Hex Nut 1/4" - 20 (2)	29	23617	3/8" - 16 x 2" Carriage Screw	44	91307	Tecumseh Transmission
15	43747	Lock Nut 3/8" (4)	30	59970	3/8" Flat Washer	45	91012	Tecumseh Shift Adapter
16	60805	Hex Hd. Screw 3/8" - 16 x 1 1/2" (2)	31	66962	Idler Pulley	46	91007	Tecumseh Indicator Bracket
17	96900	SHCS 3/8" - 16 x 1 1/2" (2)	32	43947	3/8" Lock Nut			
			33	61310	Lock Washer #10 (6)			

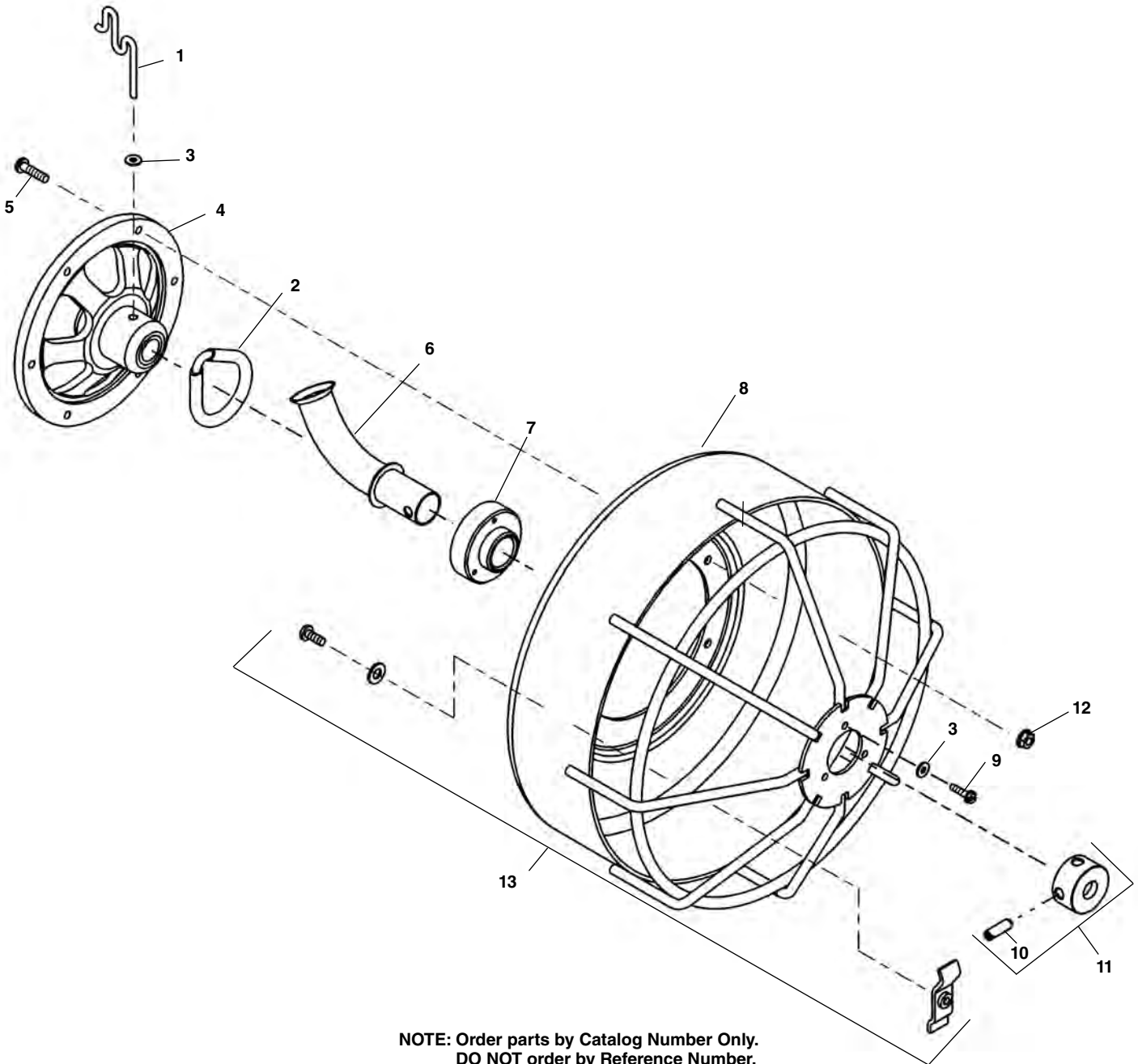
Main Components



**NOTE: Order parts by Catalog Number Only.
DO NOT order by Reference Number.**

Ref. No.	Catalog No.	Description	Ref. No.	Catalog No.	Description
1	37977	Motor Assy 120V 60Hz	13	84512	Spring (2)
2	33082	Motor Pulley	14	37962	Rubber End Cap (2)
3	39557	Wing Nut (2)	15	13617	Hex Nut 5/8" - 11
4	39767	Belt Guard	16	46682	Lock Washer 5/8"
5	37872	Drive Belt	17	59230	3/8" Cable Pin Key
6	47077	Drum Axle Washer	18	59225	1/2" Cable Pin Key
7	37937	Drum Axle	19	96730	Hex Nut 5/16" - 18 (4)
8	84517	Drum Assembly	20	96740	Flat Washer 5/16" (4)
9	37942	Frame	21	33087	Motor Mount
10	37947	Spiral Ring (2)	22	54562	Tool Holder
11	37897	Nylon Washer (2)	23	61130	Hex Bolt
12	37952	Nylon Grommet (4)			

Drum Assembly

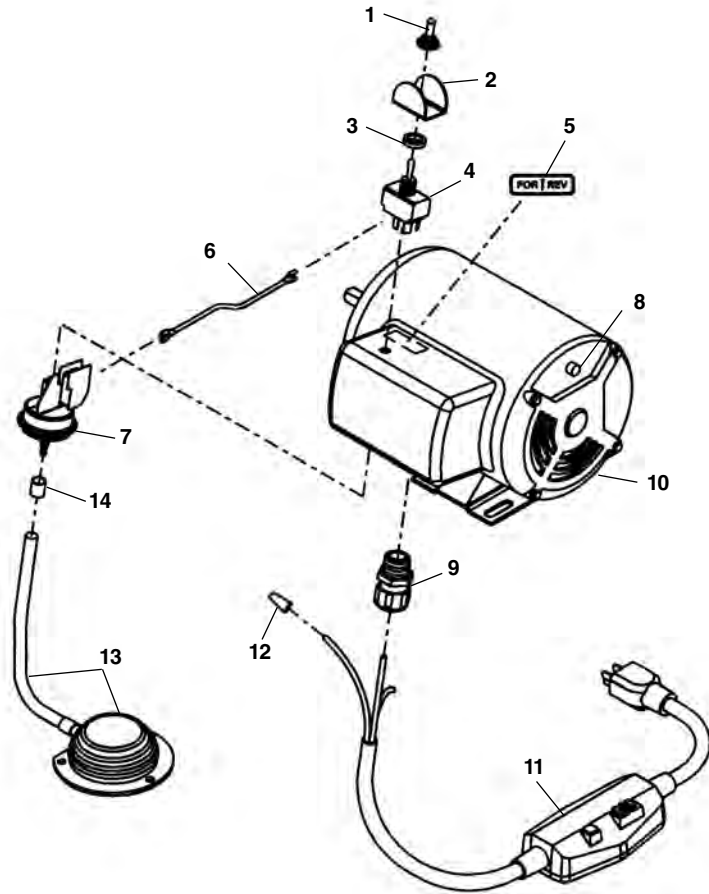


**NOTE: Order parts by Catalog Number Only.
DO NOT order by Reference Number.**

Ref. No.	Catalog No.	Description
—	84517	Drum Assembly
1	44872	Drum Retainer
2	37882	Retainer Spring
3	45365	#10 Flat Washer (4)
4	37927	Drum Hub
5	37932	Cinch Stud 1/4" - 20 x 1" (6)
6	37922	Guide Tube
7	37917	Sleeve Bushing
8	84527	Drum
9	37907	Slotted Hex Screw #10 x 3/4" (3)
10	39582	Set Screw 3/16" - 18 x 1"
11	37912	Set Collar Assembly
12	47297	Flange Nut 1/4" - 20 (6)
13	56147	Cable Clamp Assembly

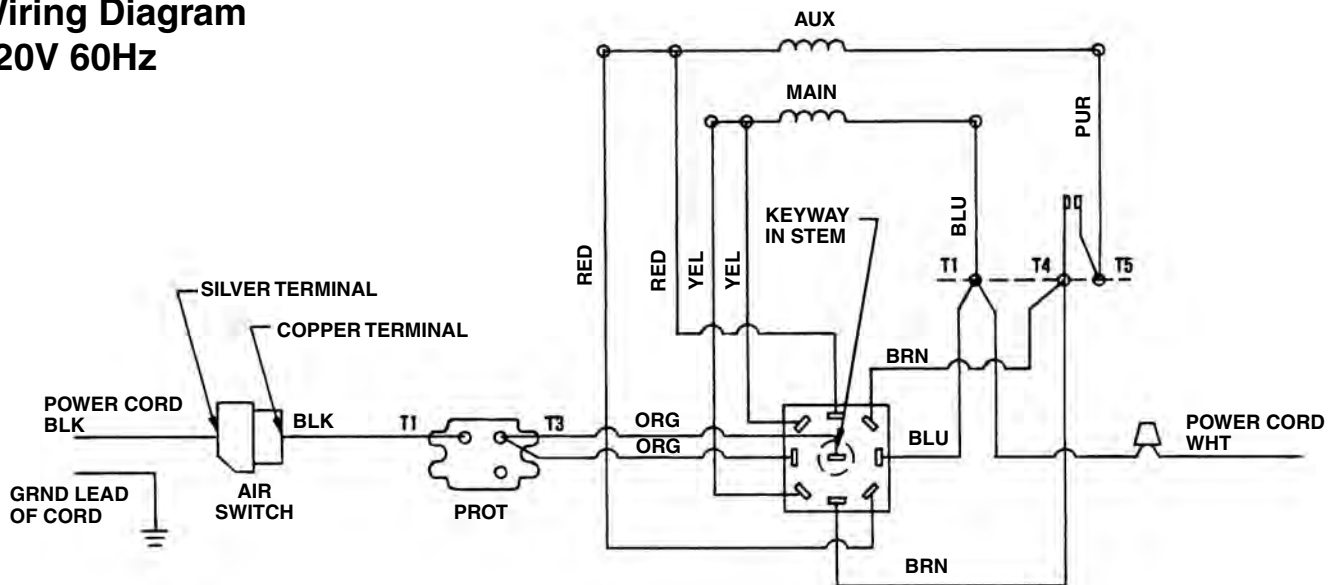
120V 60 Hz Motor

**NOTE: Order parts by Catalog Number Only.
DO NOT order by Reference Number.**

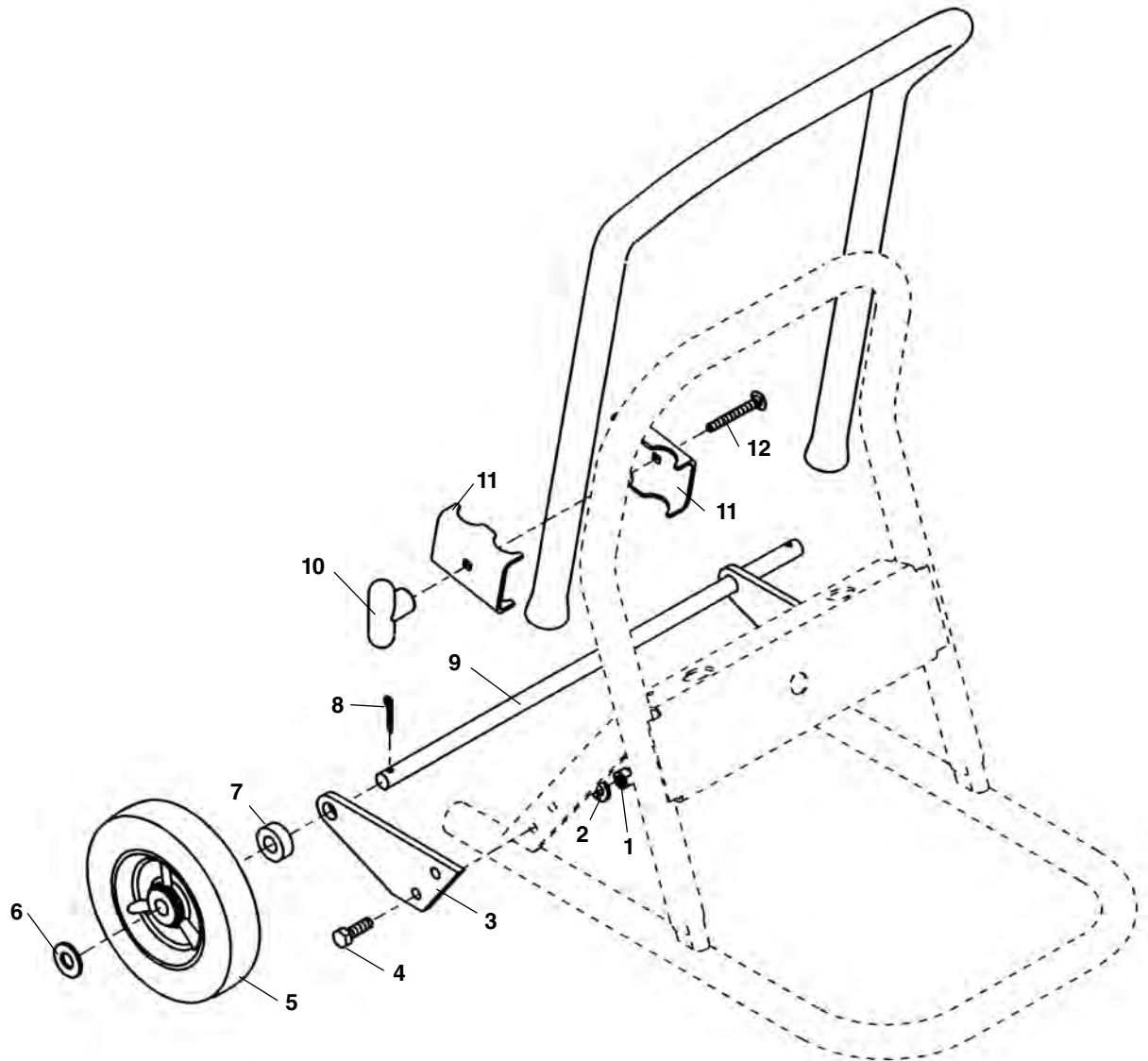


Ref. No.	Catalog No.	Description
1	23507	Rubber Boot
2	61490	Switch Guard
3	23512	Rubber Washer
4	41817	Switch
5	23687	FOR/REV Label
6	44877	Lead Wire Assembly
7	32992	Air Switch
8	67412	Thermal Overload
9	96265	Strain Relief
10	37977	120V 60Hz Motor Assembly (Includes Ref. No. 1 - 9)
	44702	220/240V 50Hz Motor Assy. (Includes Ref. No. 1-9)
11	50507	120V Power Cord w/GFCI
	15707	220V Power Cord
12	44635	Wire Nut
13	37967	Foot Switch Assembly
14	35142	Hose Clamp

**Wiring Diagram
120V 60Hz**



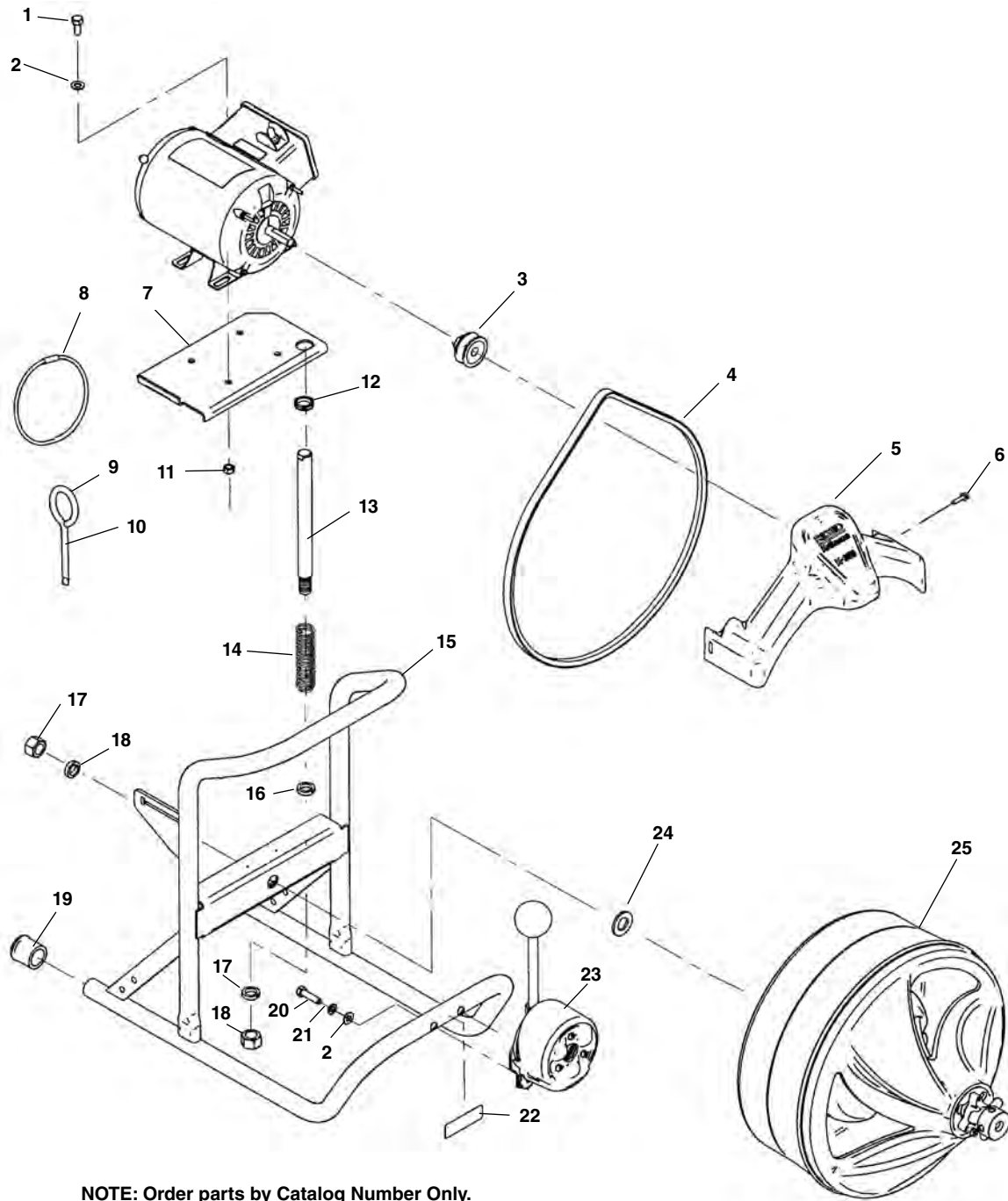
Transportation Cart Assembly



**NOTE: Order parts by Catalog Number Only.
DO NOT order by Reference Number.**

Ref. No.	Catalog No.	Description
—	59782	Cart Assembly
1	60230	Hex Nut $\frac{5}{16}$ " (4)
2	60080	Lock Washer $\frac{5}{16}$ " (4)
3	60837	Axle Bracket (2)
4	44590	Screw $\frac{5}{16}$ "-18 x 1" (4)
5	60842	Wheel (2)
6	60847	Flat Washer $\frac{1}{2}$ " (2)
7	60852	Axle Spacer (2)
8	47030	Cotter Pin $\frac{1}{8}$ " x 1" (2)
9	60857	Axle
10	60862	T-Knob (2)
11	60867	Adjustment Bracket (4)
12	60872	Carriage Bolt $\frac{1}{4}$ " - 20 x 2" (2)
13	60877	Handle

Main Components

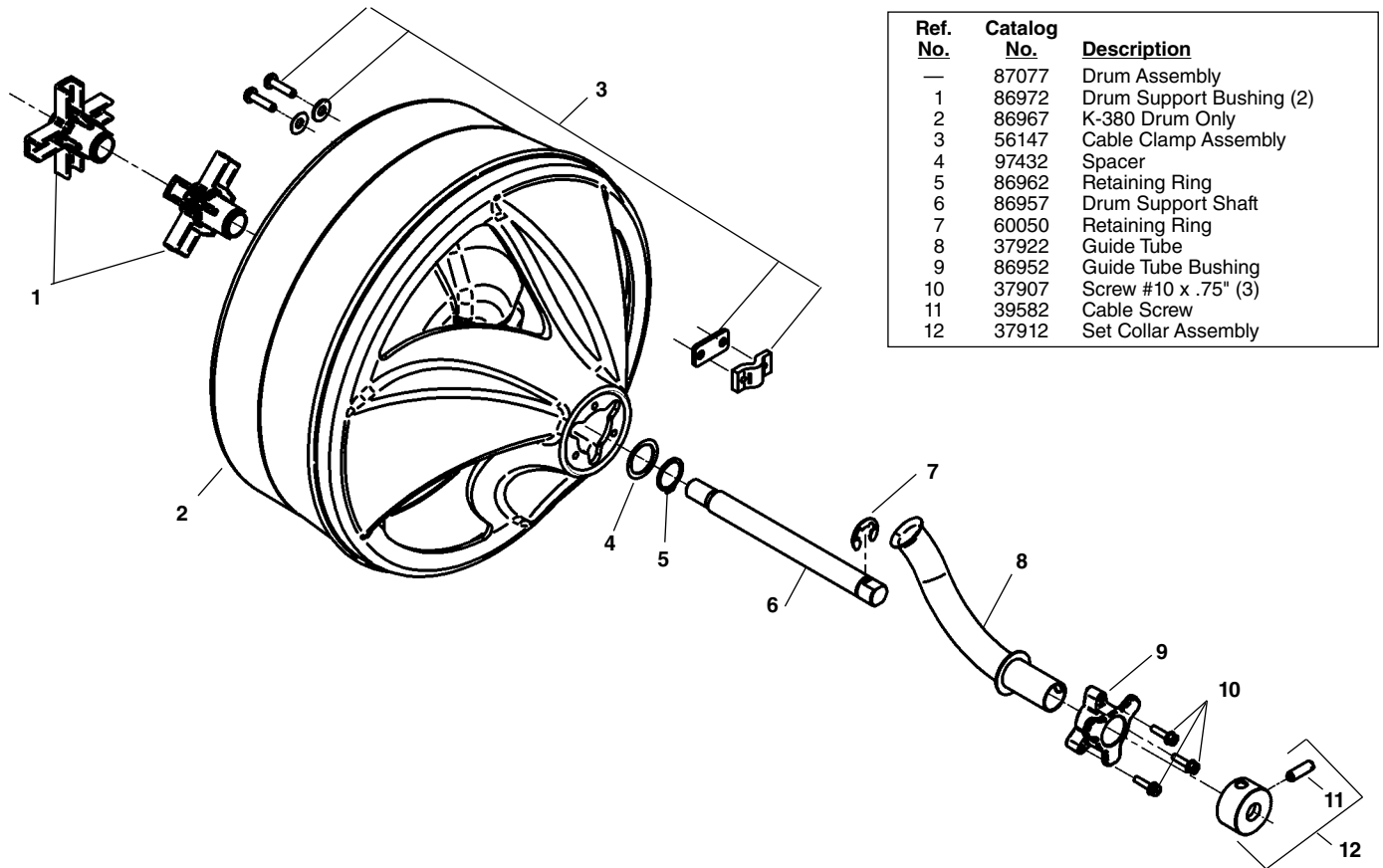


**NOTE: Order parts by Catalog Number Only.
DO NOT order by Reference Number.**

Ref. No.	Catalog No.	Description	Ref. No.	Catalog No.	Description
1	61130	Hex Screw $\frac{5}{16}$ " - 18 x $\frac{3}{4}$ " (4)	14	87002	Compression Spring
2	60065	Flat Washer $\frac{5}{16}$ " (6)	15	87007	K-380 Frame
3	86987	Pulley w/Set Screw	16	21963	Spacer (Europe & U.K. Only)
4	86977	Belt	17	13617	$\frac{5}{8}$ " - 11 Nut
5	86982	Belt Guard	18	46682	$\frac{5}{8}$ " Lockwasher
6	37907	#10 Screw (5)	19	37962	Rubber Tip (2)
7	86992	Motor Base Plate	20	60515	Hex Screw $\frac{3}{16}$ " - 18 x 1.25" (2)
8	54562	Tool Holder	21	60080	$\frac{11}{32}$ " Lockwasher (2)
9	59230	$\frac{3}{8}$ " Pin Key	22	87012	K-380 Label
10	59225	$\frac{1}{2}$ " Pin Key	23	87337	K-380 Power Feed Assembly
11	27517	Lock Nut (4)	24	41790	Flat Washer
12	37952	Split Grommet	25	87077	K-380 Drum Assembly
13	86997	Spring Support Shaft			

Drum Assembly

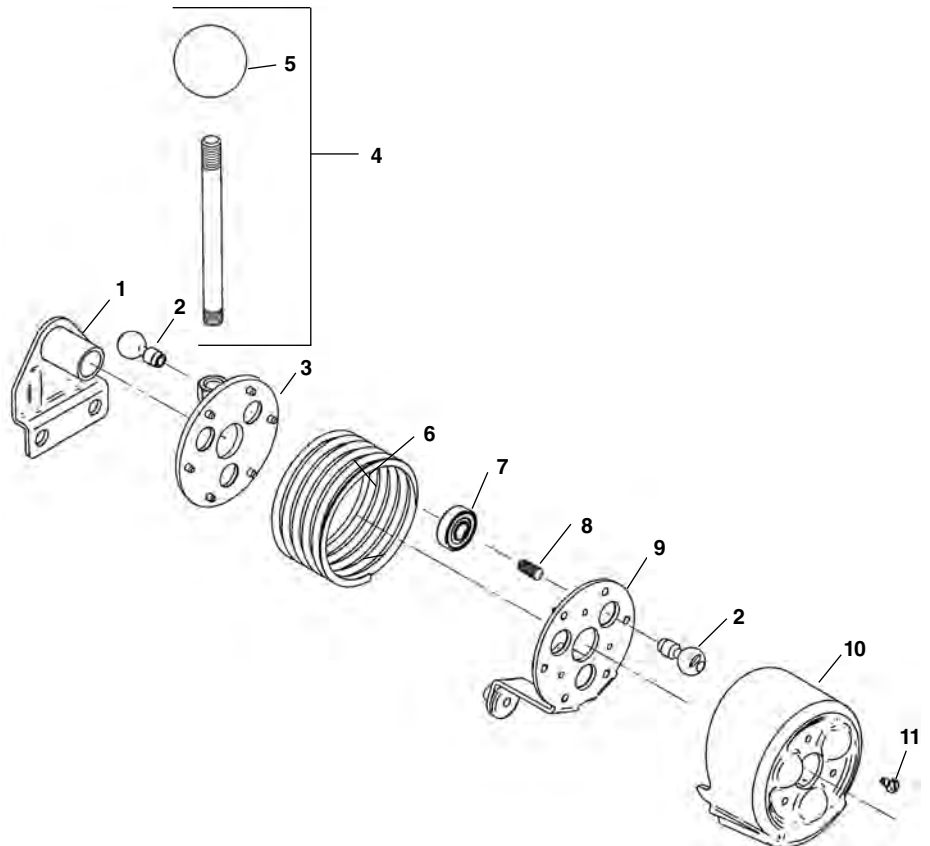
**NOTE: Order parts by Catalog Number Only.
DO NOT order by Reference Number.**



Ref. No.	Catalog No.	Description
—	87077	Drum Assembly
1	86972	Drum Support Bushing (2)
2	86967	K-380 Drum Only
3	56147	Cable Clamp Assembly
4	97432	Spacer
5	86962	Retaining Ring
6	86957	Drum Support Shaft
7	60050	Retaining Ring
8	37922	Guide Tube
9	86952	Guide Tube Bushing
10	37907	Screw #10 x .75" (3)
11	39582	Cable Screw
12	37912	Set Collar Assembly

AUTOFEED® Assembly

Ref. No.	Catalog No.	Description
—	26773	AUTOFEED® Assembly
1	87627	Mounting Bracket
2	87607	Roller Shaft (6)
3	87622	Back Plate
4	93630	Clutch Handle
5	59585	Ball for Handle
6	87617	Spring
7	44077	Ball Bearing (3)
8	41502	Set Screw $\frac{5}{16}$ " - 18 x $\frac{3}{4}$ " (3)
9	87612	Front Plate
10	87632	AUTOFEED® Cover
11	45420	Screw 10 - 24 x $\frac{3}{8}$ " (3)

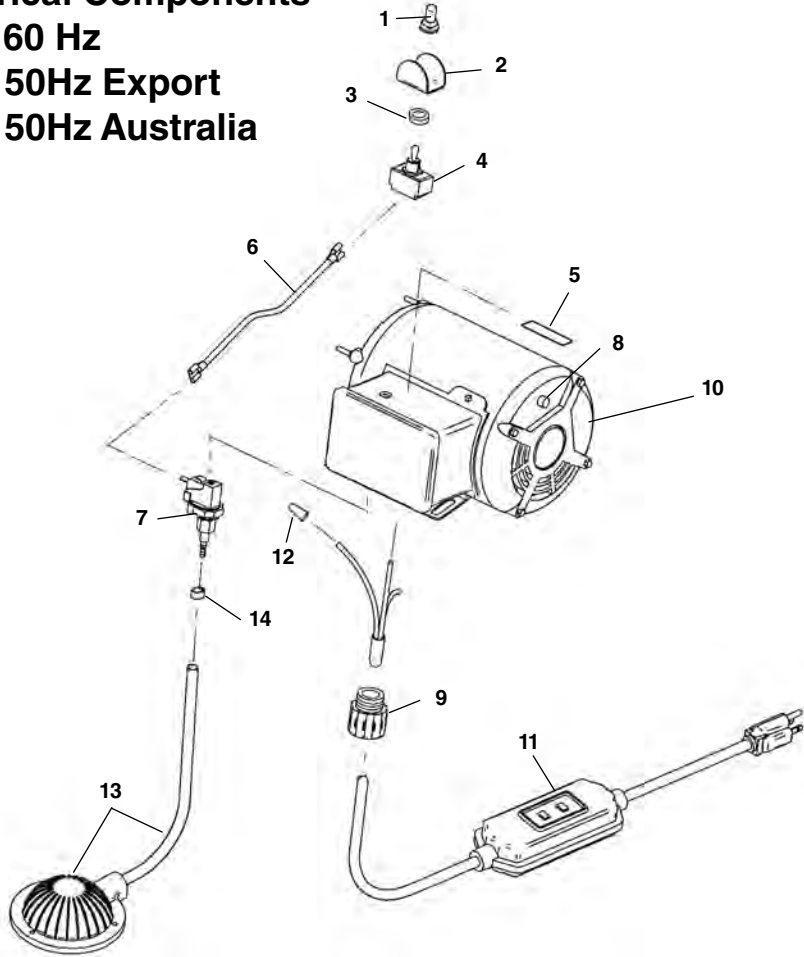


Electrical Components

120V 60 Hz

220V 50Hz Export

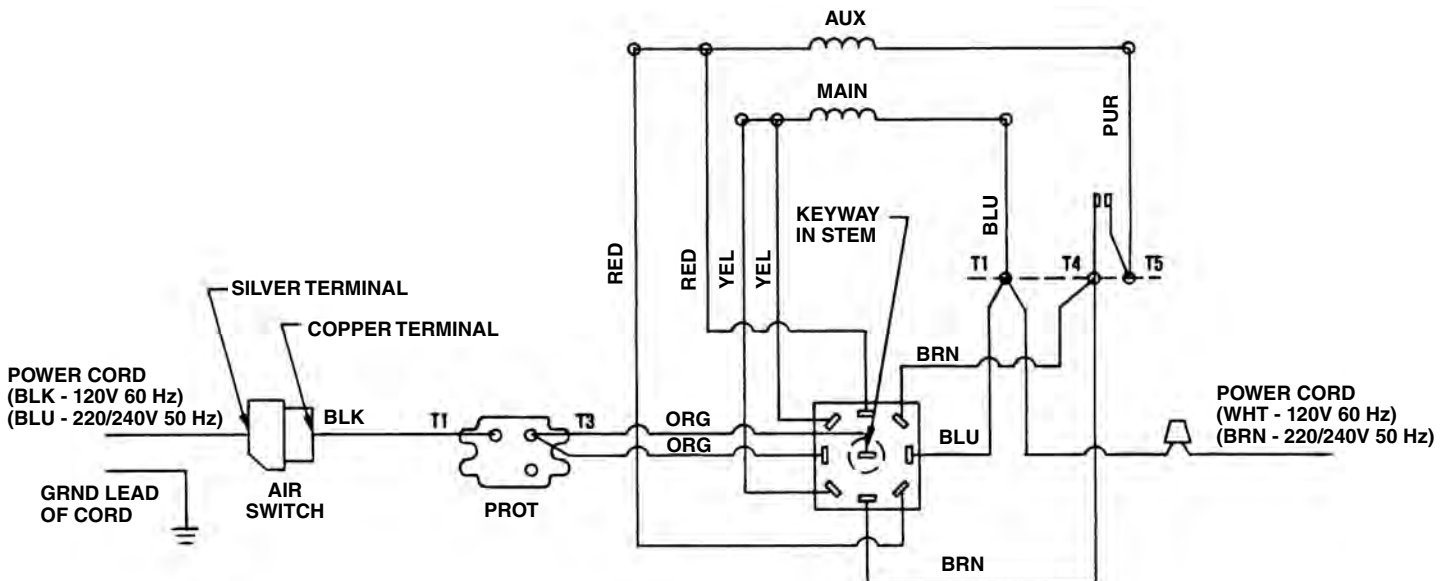
240V 50Hz Australia



NOTE: Order parts by Catalog Number Only. DO NOT order by Reference Number.

Ref. No.	Catalog No.	Description
1	23507	Rubber Boot
2	61490	Switch Guard
3	23512	Rubber Washer
4	41817	Switch
5	23687	FOR/REV Label
6	44877	Lead Wire Assembly
7	32992	Air Switch
8	67412	Thermal Overload
9	96265	Strain Relief
10	37977	120V 60Hz Motor Assembly
	45292	220V 50Hz Motor Assy. – Export
	44702	240V 50Hz Motor Assy. – Australia
11	50507	120V Power Cord w/GFCI
	15707	220V Power Cord – Export
	35692	240V Power Cord – Australia
12	44635	Wire Nut
13	37967	Foot Switch Assembly
14	35142	Hose Clamp

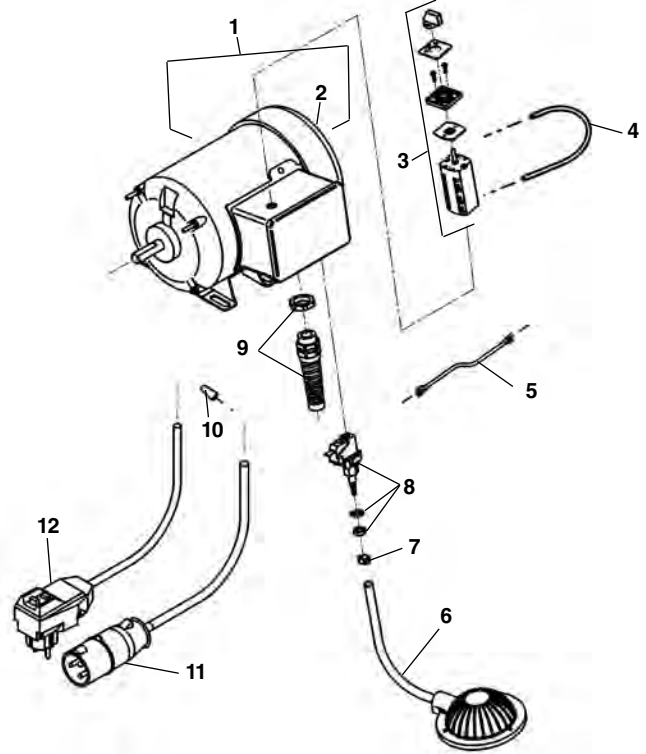
Wiring Diagram



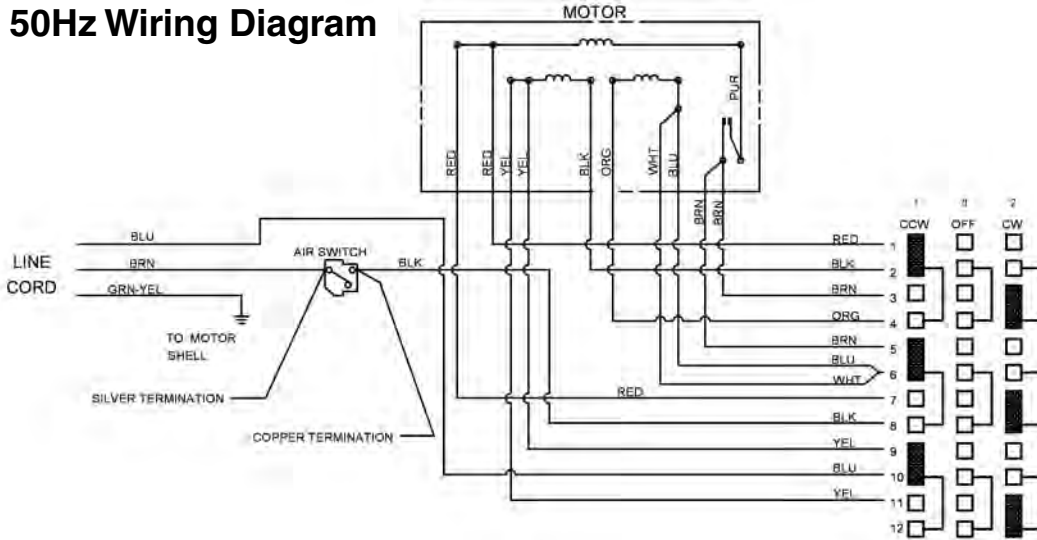
Electrical Components Europe & U.K.

**NOTE: Order parts by Catalog Number Only.
DO NOT order by Reference Number.**

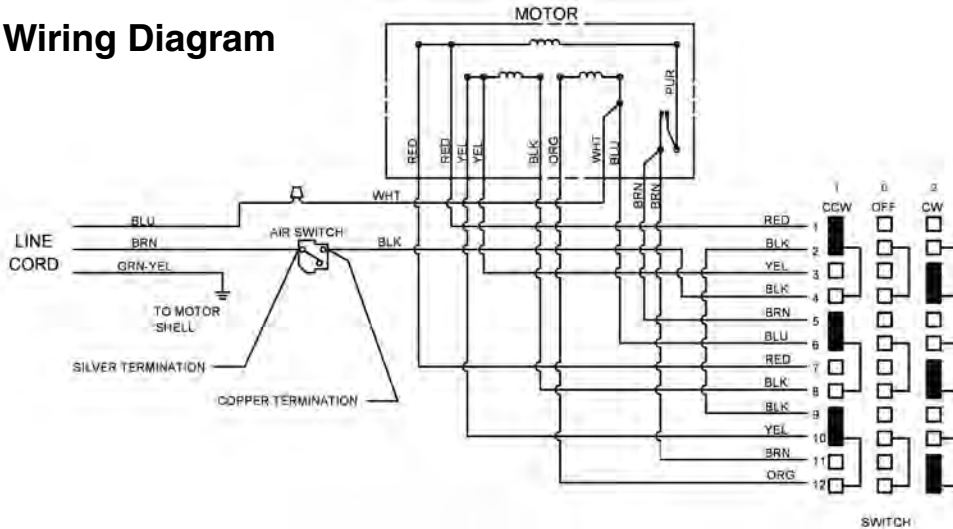
Ref. No.	Catalog No.	Description
1	44712	110/220/240V 50Hz Motor Assy.
2	67417	Thermal Overload
3	20143	Switch
4	44882	Jumper Wire Assembly
5	44877	Lead Wire Assembly
6	37967	Foot Switch Assembly
7	35142	Hose Clamp
8	32992	Air Switch
9	27187	Strain Relief
10	44635	Wire Nut
11	65842	220V Power Cord (Europe)
12	45022	110V Power Cord (U.K.)



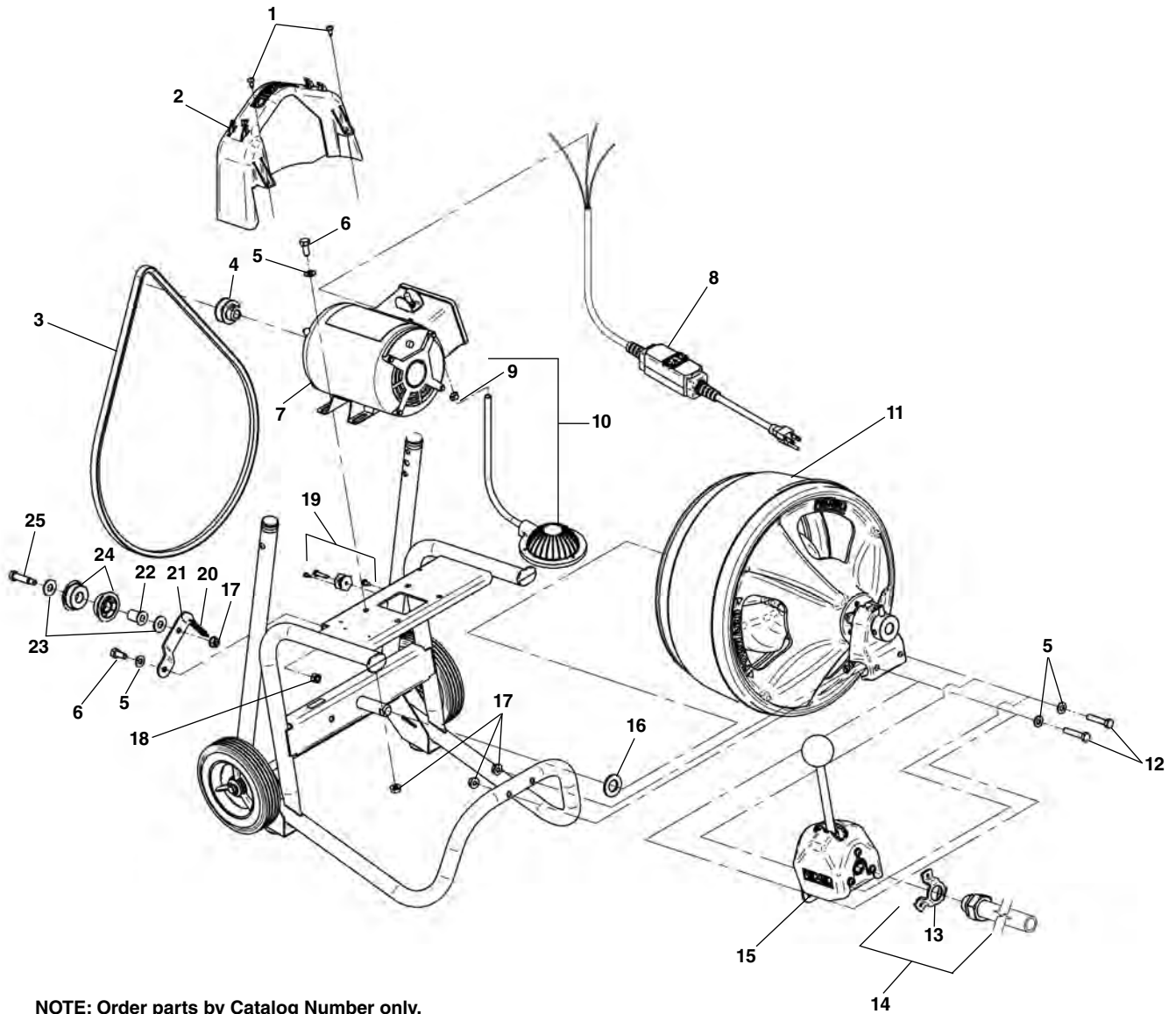
220/240V 50Hz Wiring Diagram



110V 50Hz Wiring Diagram



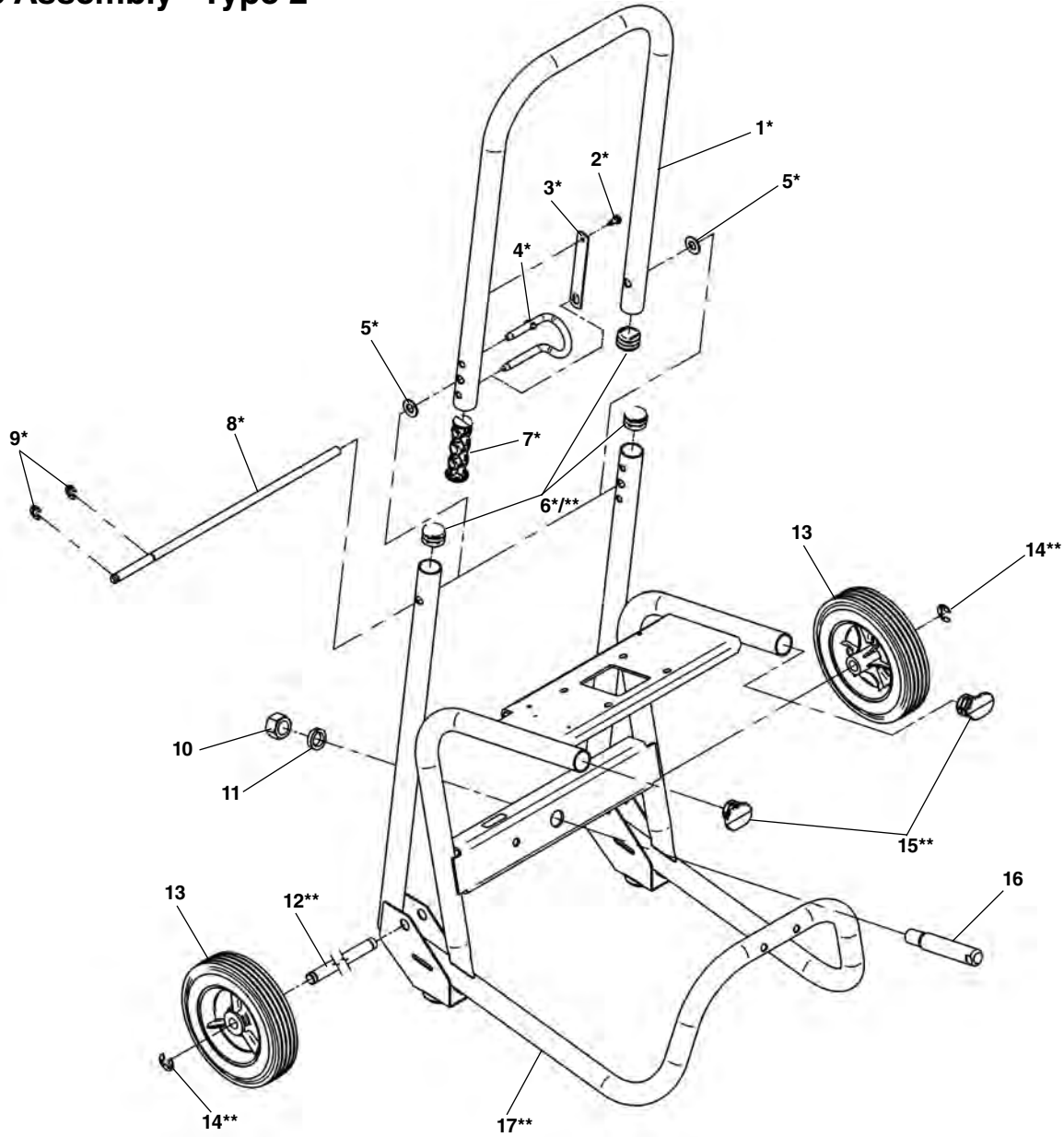
Main Components - Type 2



**NOTE: Order parts by Catalog Number only.
DO NOT order by Reference Number.**

Ref. No.	Catalog No.	Description	Ref. No.	Catalog No.	Description
1	68937	Screw #10-24 (3)	11	27048	Drum Assembly
2	27483	Belt Guard	12	91302	Hex Screw $\frac{5}{16}$ "-18 x $1\frac{1}{4}$ " (2)
3	27498	V-Belt	13	27603	Guide Hose Mounting Bracket
4	27513	Pulley	14	26778	Guide Hose Assembly
5	60065	Flat Washer $\frac{3}{16}$ " (7)	15	52343	AUTOFEED® Assembly
6	59785	Hex Screw $\frac{5}{16}$ "-18 x $\frac{3}{4}$ " (5)	16	27608	Spacer
7	53333	Motor 120V 60Hz	17	27517	Lock Nut $\frac{5}{16}$ " (3)
	27623	Motor 220/240V 50Hz	18	27508	Hex Nut $\frac{5}{16}$ "
	27583	Motor 220V 50Hz Europe	19	30728	Torque Limiter Assy.
8	50497	GFI Power Cord 120V 60Hz	20	27523	Spring
	15707	Power Cord 220V Export	21	27533	Pulley Bracket
	15692	Power Cord 240V Australia	22	27493	Flange Bushing
	65842	Power Cord 220V Europe	23	33082	Flat Washer $\frac{3}{16}$ " (2)
9	35142	Hose Clamp	24	27488	Idler Pulley (2)
10	37967	Foot Switch	25	33627	Shoulder Screw $\frac{3}{8}$ " x $1\frac{1}{4}$ "

Frame Assembly - Type 2



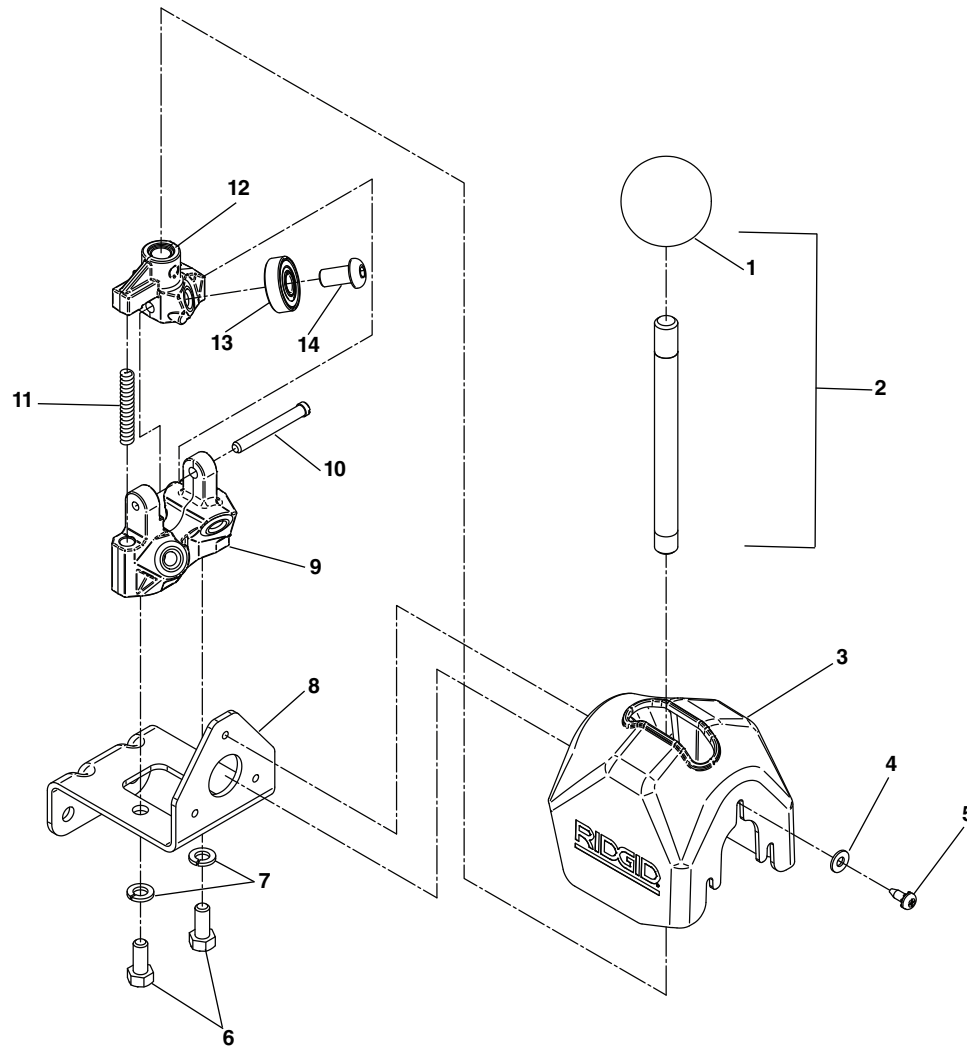
**NOTE: Order parts by Catalog Number only.
DO NOT order by Reference Number.**

Ref. No.	Catalog No.	Description	Ref. No.	Catalog No.	Description
1*	53323	Handle Only	9*	34245	Retaining Ring (2)
	53518	Handle Assembly Complete	10	13617	Hex Nut 5/8" - 11
2*	68937	Screw, #10-24 Pan Head	11	46682	Lock Washer 5/8"
3*	53318	Flat Spring	12**	27518	Wheel Axle
4*	53313	Bent Pull Pin 5/16"	13	60842	Wheel (2)
5*	59970	Flat Washer 3/8" (2)	14**	59810	Retaining Ring (2)
6**	27558	Plug 1" (3)	15**	53348	Cord Wrap Cap (2)
7*	27588	Bushing	16	27463	Drum Shaft
8*	53353	Handle Axle	17**	53398	Frame Assembly

* Included With 53518 Handle Assembly Complete

** Included With 53398 Frame Assembly

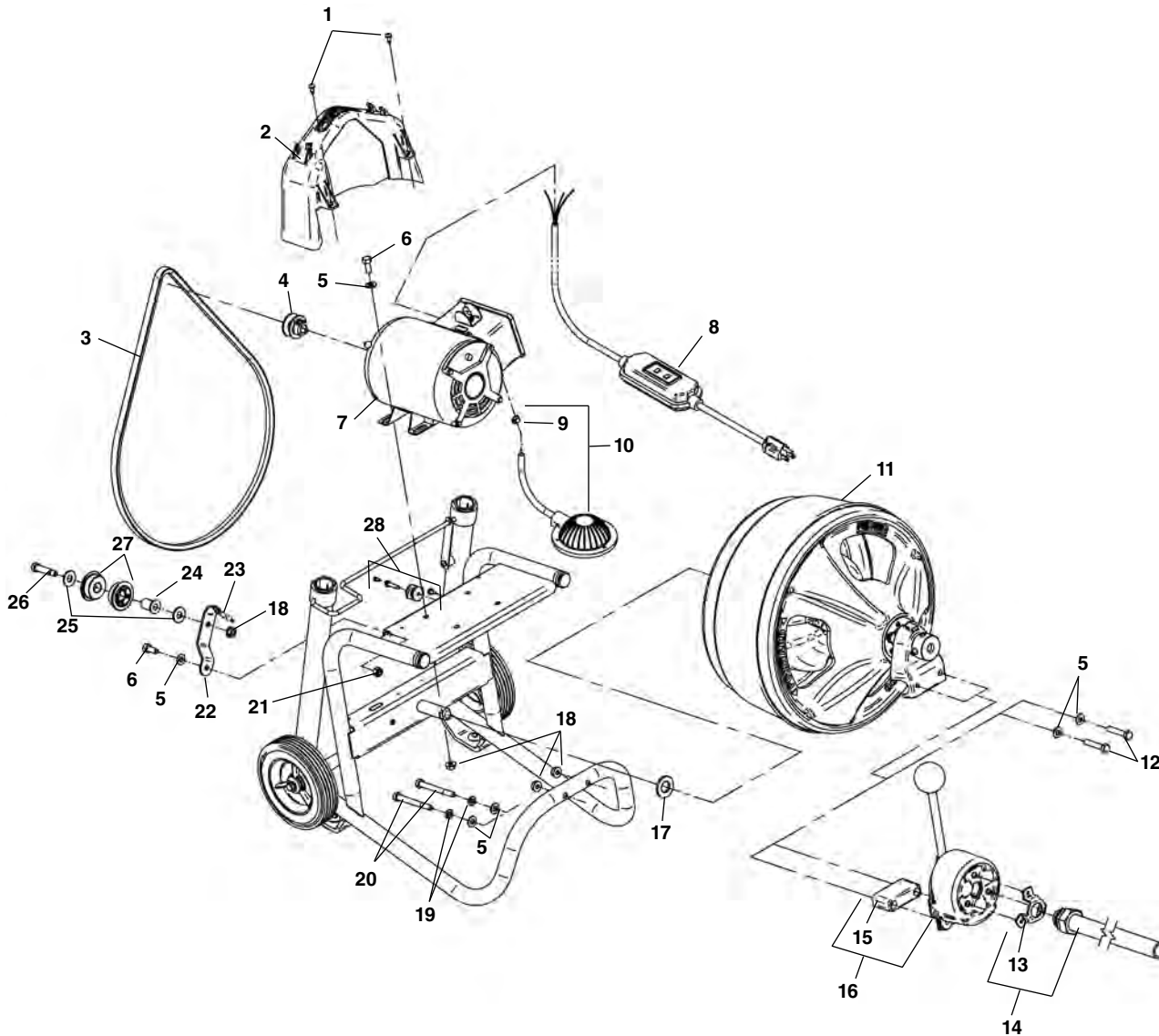
AUTOFEED® Assembly - Type 2



**NOTE: Order parts by Catalog Number only.
DO NOT order by Reference Number.**

Ref. No.	Catalog No.	Description
—	52343	K400 Autofeed Assembly
1	59585	Ball for Handle
2	93630	Clutch Handle
3	53358	Cover
4	43357	Flat Washer #10 (3)
5	68937	Screw #10 x 1/2" (3)
6	61130	Screw 3/16-18 x 3/4 Hex (2)
7	60080	Lock Washer 3/16" (2)
8	53383	Mounting Bracket
9	53378	Bottom Roller Housing
10	53373	Hinge Pin 1/4-20
11	53368	Spring
12	53363	Top Roller Housing
13	44760	Bearing (6)
14	26997	Screw 3/16-16 x 3/4 Hex Soc BH (6)

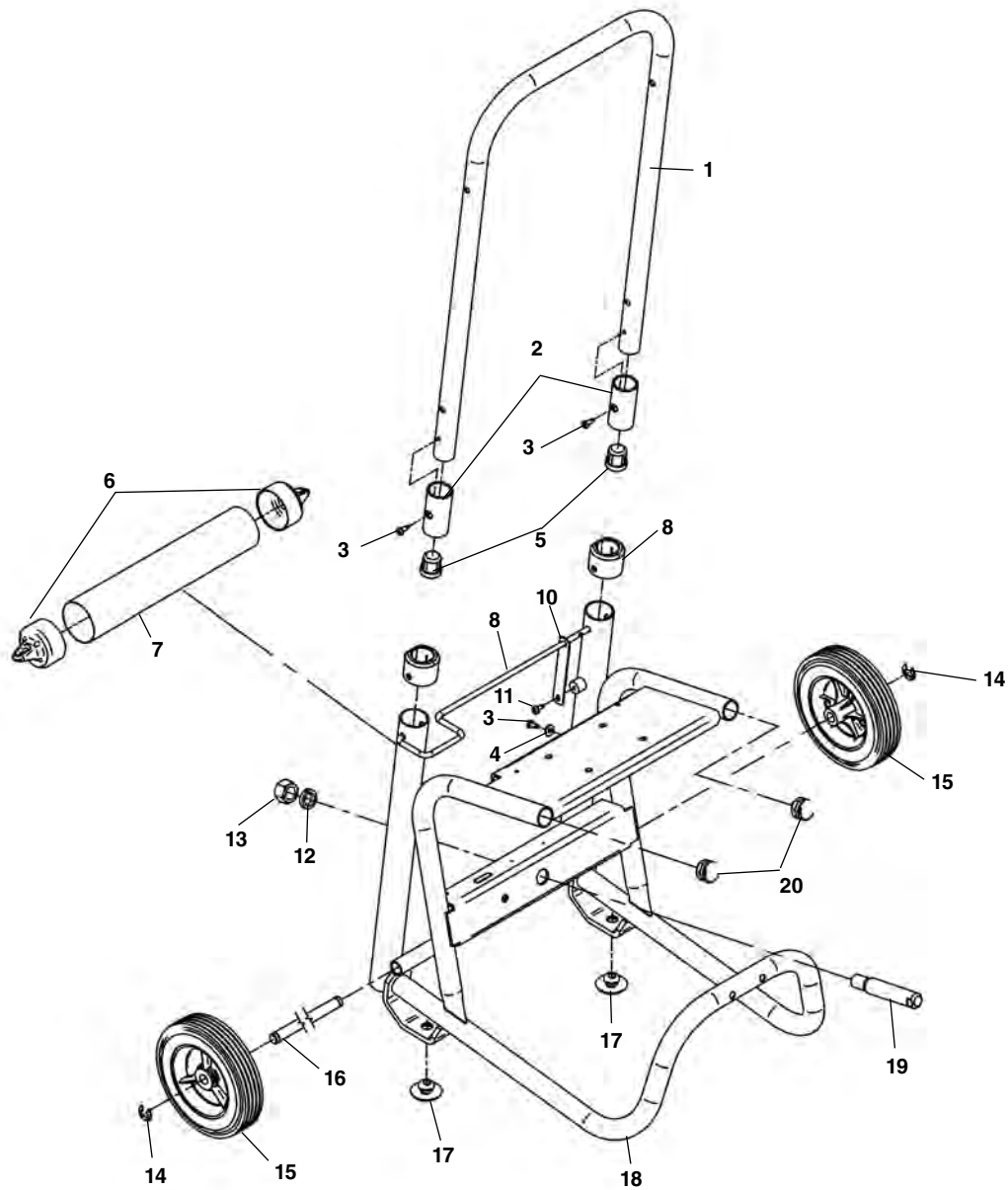
Main Components



**NOTE: Order parts by Catalog Number only.
DO NOT order by Reference Number.**

Ref. No.	Catalog No.	Description	Ref. No.	Catalog No.	Description
1	68937	Screw #10-24 (3)	13	27603	Guide Hose Mounting Bracket
2	27483	Belt Guard	14	26778	Guide Hose Assembly
3	27498	V-Belt	15	27608	Spacer
4	27513	Pulley	16	26773	AUTOFEED® Assembly
5	60065	Flat Washer 5/16" (7)	17	41790	Flat Washer
6	59785	Hex Screw 5/16"-18 x 3/4" (5)	18	27517	Lock Nut 5/16"
7	27568	Motor 120V 60Hz	19	60080	Lock Washer 5/16"
	27623	Motor 220/240V 50Hz	20	60737	Hex Screw 5/16"-18 x 3" (2)
	27583	Motor 220V 50Hz Europe	21	27508	Hex Nut 5/16"
8	50497	GFI Power Cord 120V 60Hz	22	27533	Pulley Bracket
	15707	Power Cord 220V Export	23	27523	Spring
	15692	Power Cord 240V Australia	24	27493	Flange Bushing
	65842	Power Cord 220V Europe	25	44230	Flat Washer 3/8" (2)
9	35142	Hose Clamp	26	33627	Shoulder Screw 3/8" x 1 1/4"
10	37967	Foot Switch	27	27488	Idler Pulley (2)
11	27048	Drum Assembly	28	30728	Torque Limiter Assy.
12	91302	Hex Screw 5/16"-18 x 1 3/4" (2)			

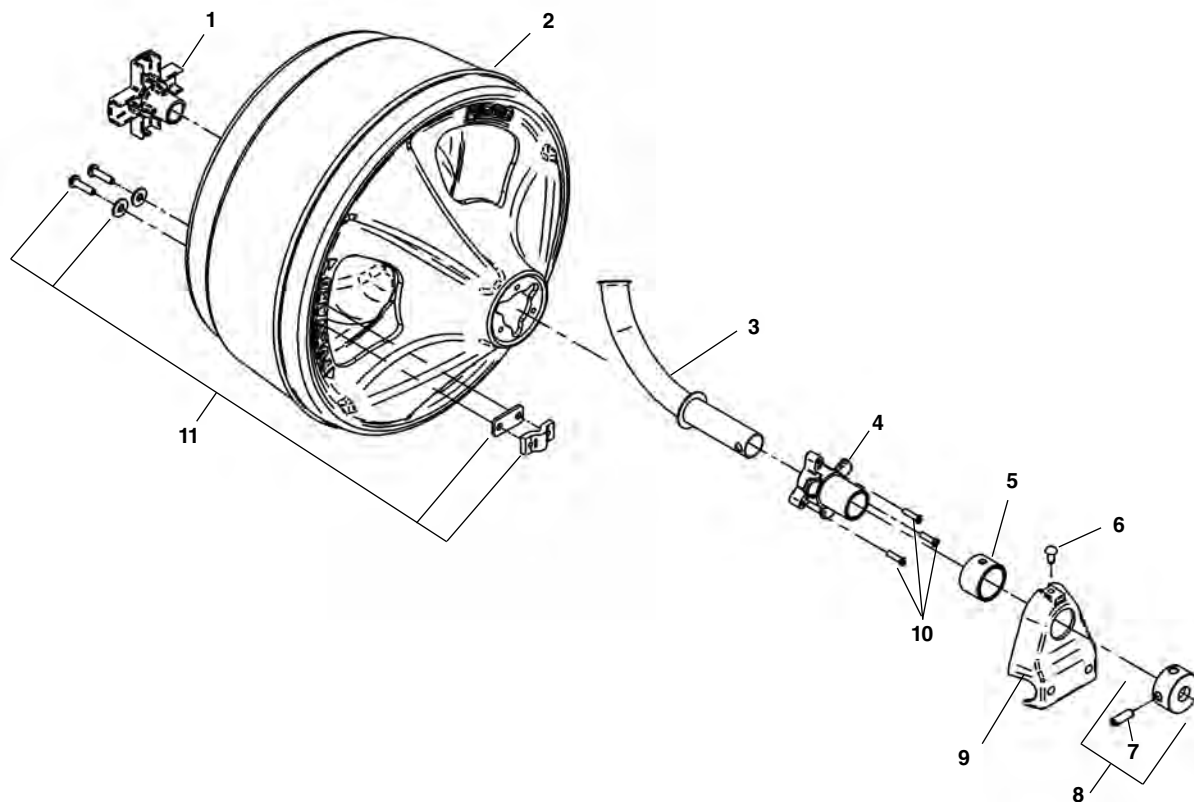
Frame Assembly



**NOTE: Order parts by Catalog Number only.
DO NOT order by Reference Number.**

Ref. No.	Catalog No.	Description	Ref. No.	Catalog No.	Description
1	27473	Handle	11	68937	Screw, #10-24 Pan Head (3)
2	27538	Handle Sleeve (2)	12	46682	Lock Washer 5/8"
3	45275	Screw, #10-24 x 1/2" Pan Head (3)	13	13617	Hex Nut 5/8" - 11
4	45365	Flat Washer #10	14	59810	Ring, Retaining (2)
5	27503	Rubber Foot (2)	15	60842	Wheel (2)
6	27593	Cap (2)	16	27518	Axle
7	27588	Tube f/Operator's Manual	17	27553	Grommet
8	27563	Bushing (2)	18	27438	Frame
9	27453	Release Lever	19	27463	Drum Shaft
10	27458	Flat Spring	20	27558	Plug 1" (2)

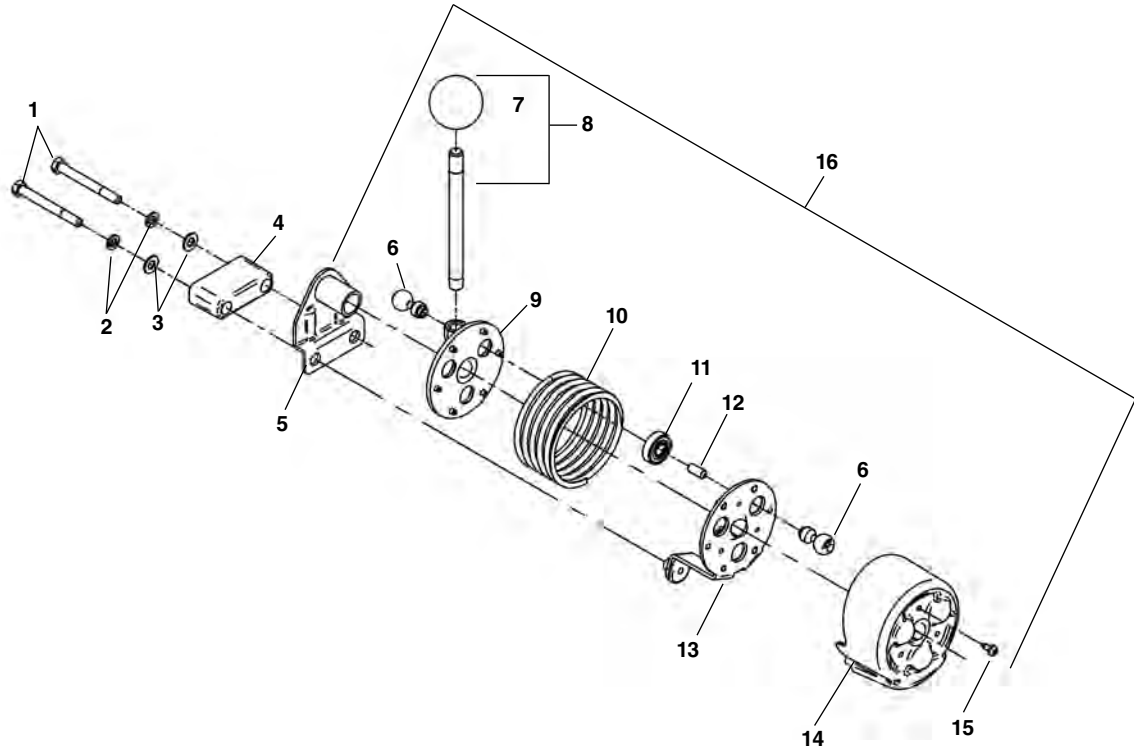
Drum Assembly



**NOTE: Order parts by Catalog Number only.
DO NOT order by Reference Number.**

Ref. No.	Catalog No.	Description
—	27048	Drum Assembly
1	27543	Sleeve Bushing
2	27528	Drum
3	27478	Guide Tube
4	27448	Guide Tube Bushing
5	27468	Sleeve Bushing
6	27548	Drive Screw
7	39582	Set Screw $\frac{5}{16}$ " x 1"
8	37912	Set Collar Assembly
9	27443	Bearing Support
10	27578	Screw #8 - 16 x $\frac{3}{4}$ " (3)
11	56147	Cable Clamp Assembly

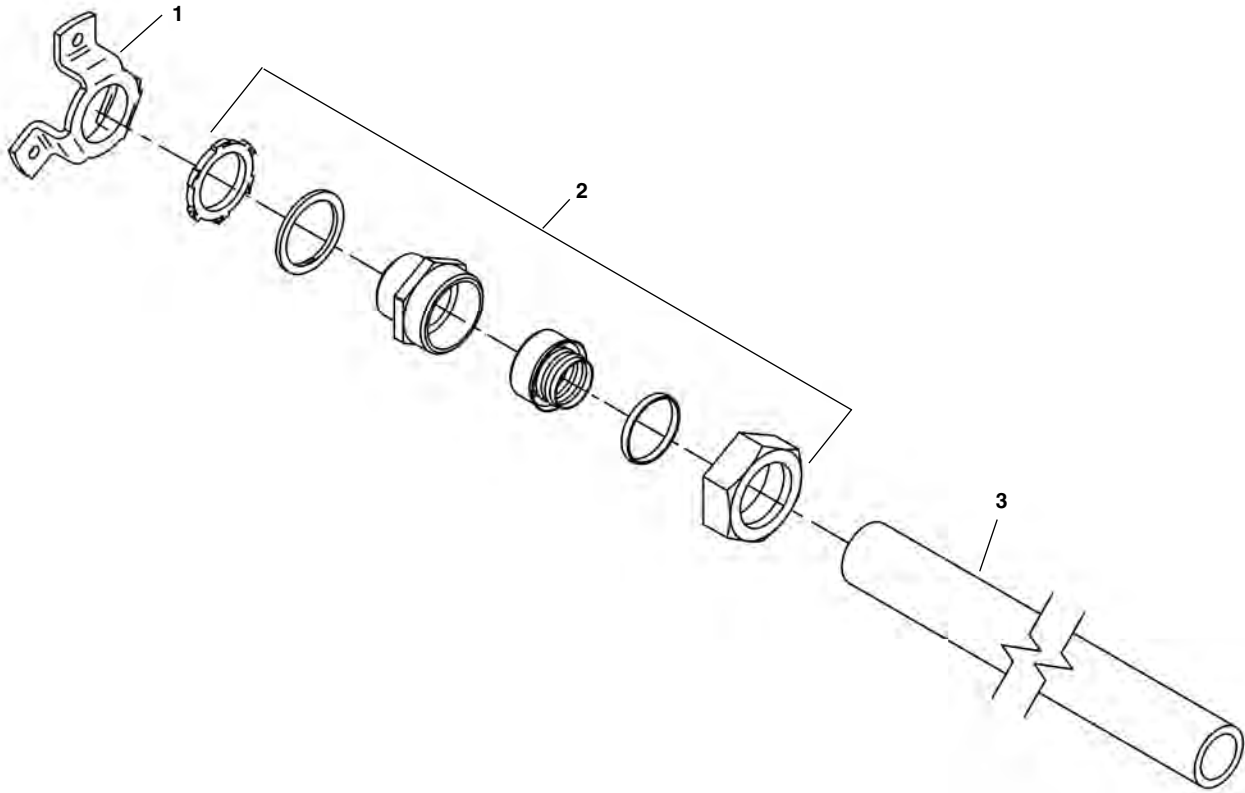
AUTOFEED® Assembly



**NOTE: Order parts by Catalog Number only.
DO NOT order by Reference Number.**

Ref. No.	Catalog No.	Description
—	26773	AUTOFEED Assembly K-400
1	60737	Hex Screw $\frac{5}{16}$ " - 18 x 3" (2)
2	60080	Lock Washer $\frac{5}{16}$ "
3	60065	Flat Washer $\frac{5}{16}$ "
4	27608	Spacer
5	87627	Mounting Bracket
6	87607	Roller Shaft (6)
7	59585	Ball for Handle
8	93630	Clutch Handle
9	87622	Back Plate
10	87617	Spring
11	44077	Bearing
12	41502	Set Screw $\frac{5}{16}$ " - 18 x $\frac{3}{4}$ " (3)
13	87612	Front Plate
14	87632	AUTOFEED Cover
15	45420	Screw 10 - 24 x $\frac{1}{2}$ " (3)
16	26773	AUTOFEED Assembly

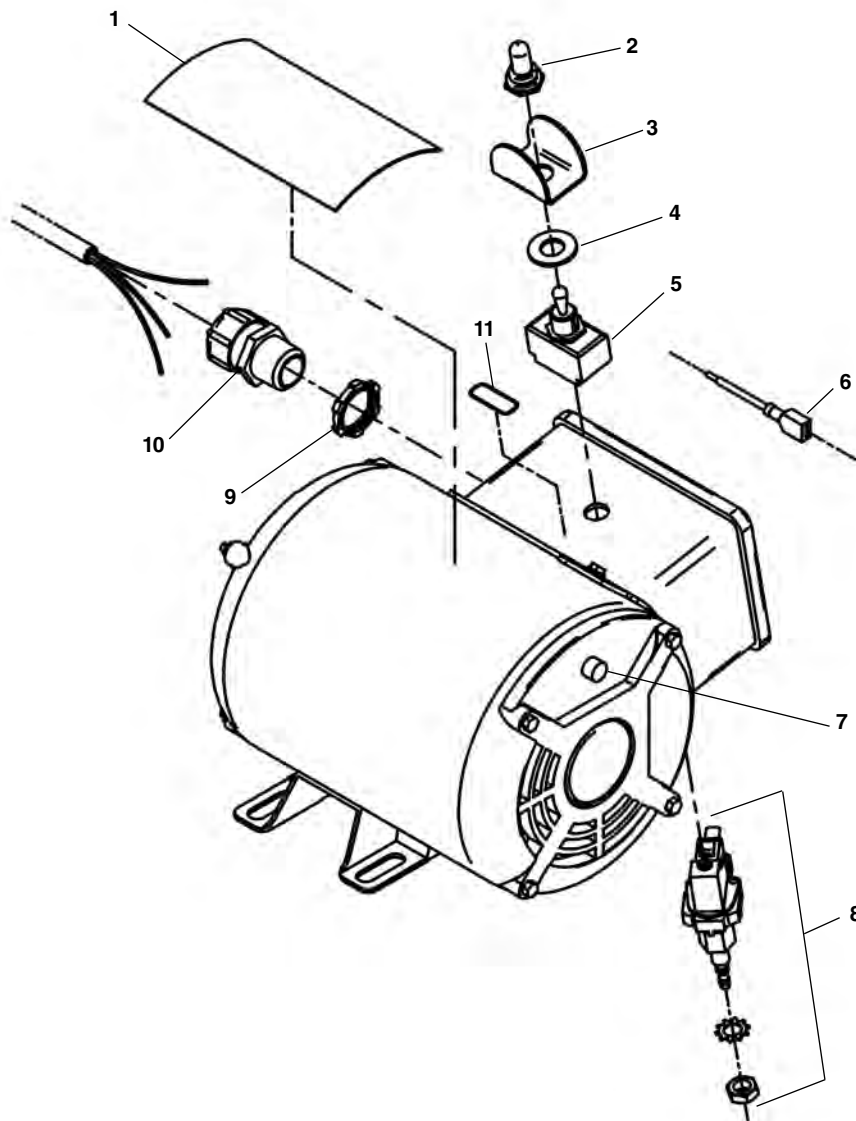
Guide Hose Assembly



**NOTE: Order parts by Catalog Number only.
DO NOT order by Reference Number.**

Ref. No.	Catalog No.	Description
—	26778	Guide Hose Assembly
1	27603	Guide Hose Bracket
2	72477	Guide Hose Connector
3	27598	Hose 2'

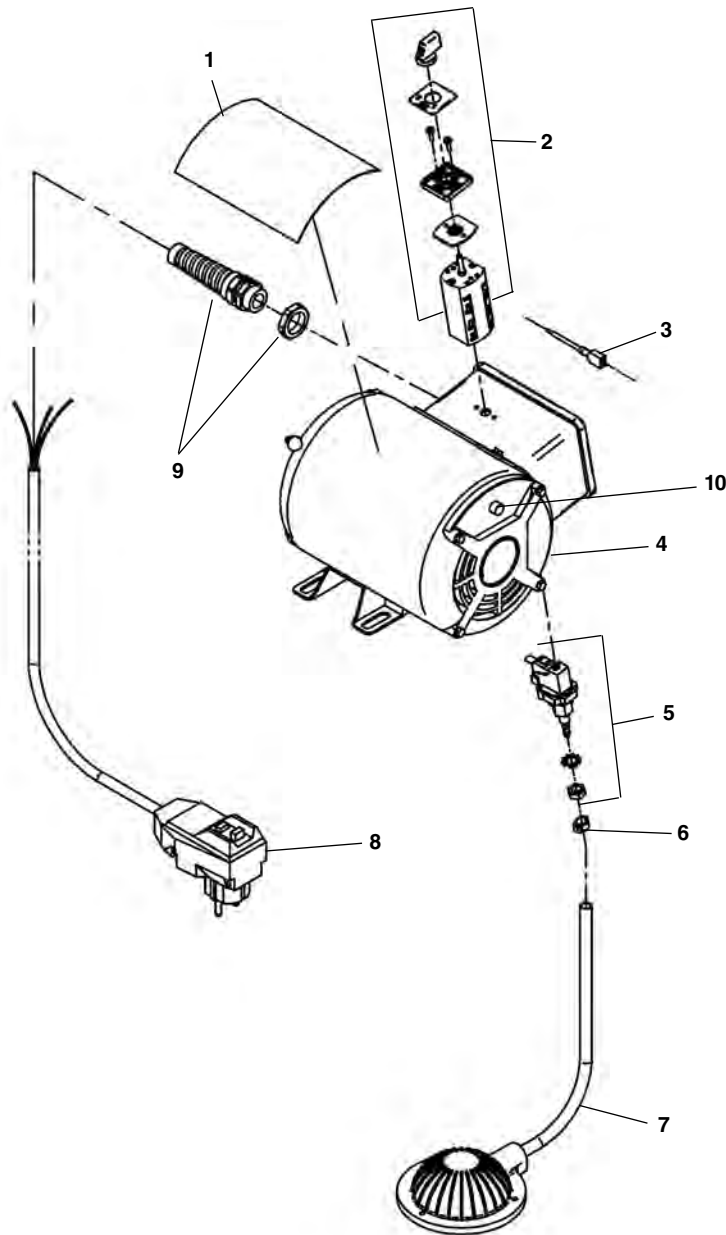
Motor Components



**NOTE: Order parts by Catalog Number only.
DO NOT order by Reference Number.**

Ref. No.	Catalog No.	Description
—	53333	120V 60Hz Motor Assembly
—	27623	220/240V 50Hz Motor Assembly
1	27618	Safety Decal
2	23507	Rubber Boot
3	61490	Switch Guard
4	23512	Rubber Washer
5	41817	Switch
6	44877	Lead Wire Assembly
7	55688	Thermal Overload
8	32992	Air Switch
9	65642	Lock Nut
10	96265	Strain Relief
11	23687	FOR/REV Label

Motor Components - 220V - 50Hz Europe

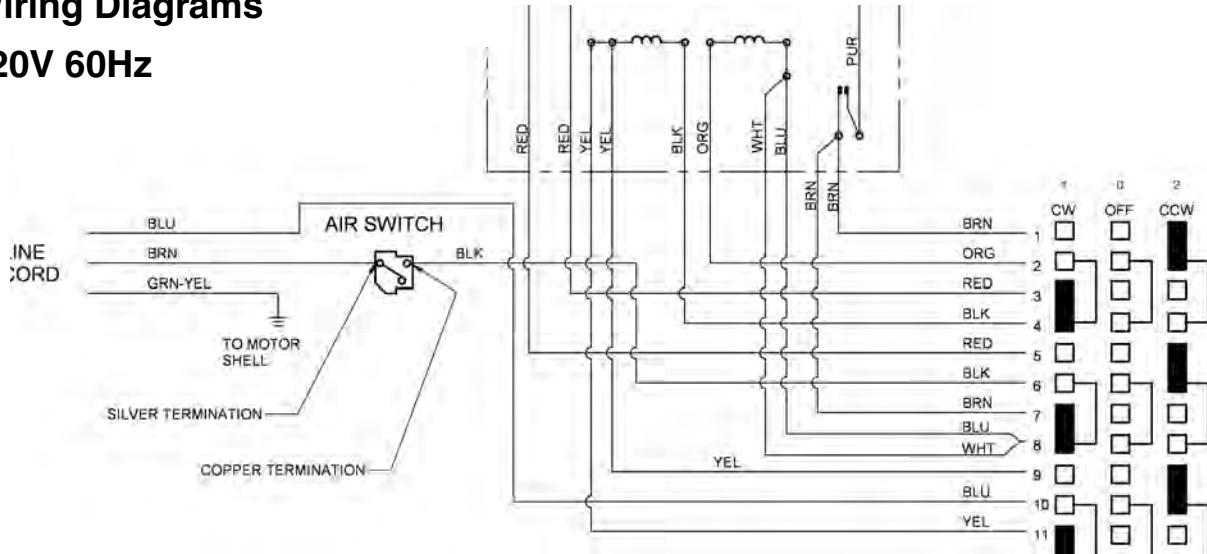


**NOTE: Order parts by Catalog Number only.
DO NOT order by Reference Number.**

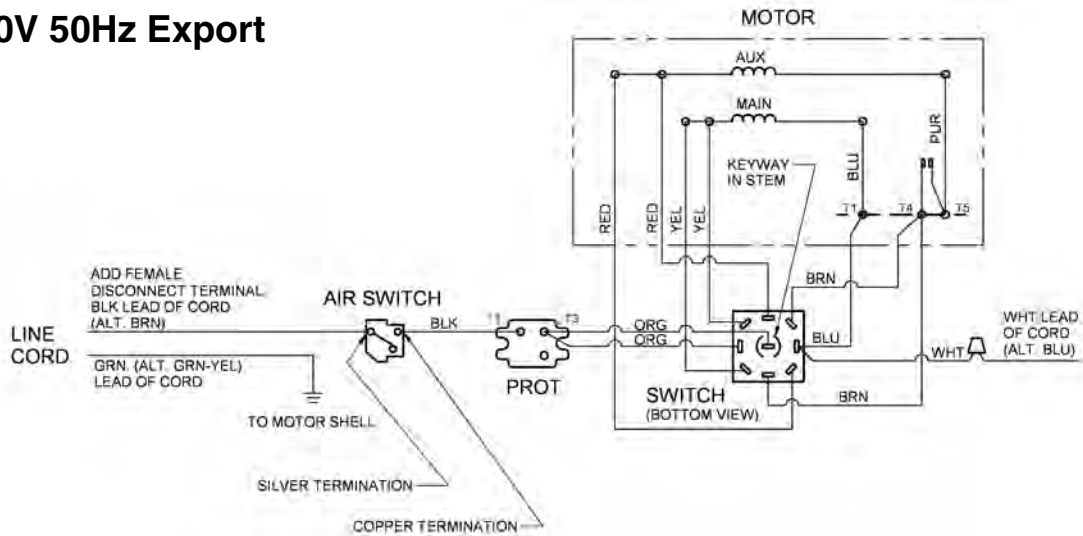
Ref. No.	Catalog No.	Description
1	27618	Safety Decal
2	44862	Switch
3	44877	Lead Wire Assembly
4	27583	220V 50Hz Motor Assy.
5	32992	Air Switch
6	35142	Hose Clamp
7	37967	Foot Switch Assembly
8	39562	220V Power Cord (Europe)
9	27187	Strain Relief
10	67412	Thermal Overload

Wiring Diagrams

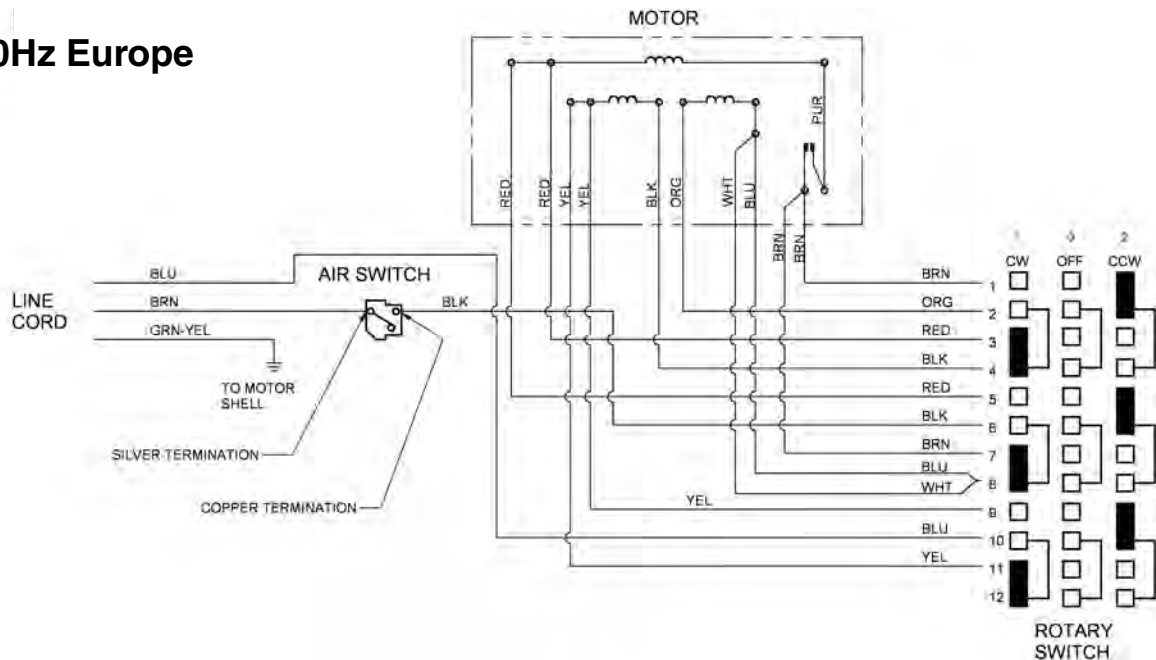
120V 60Hz



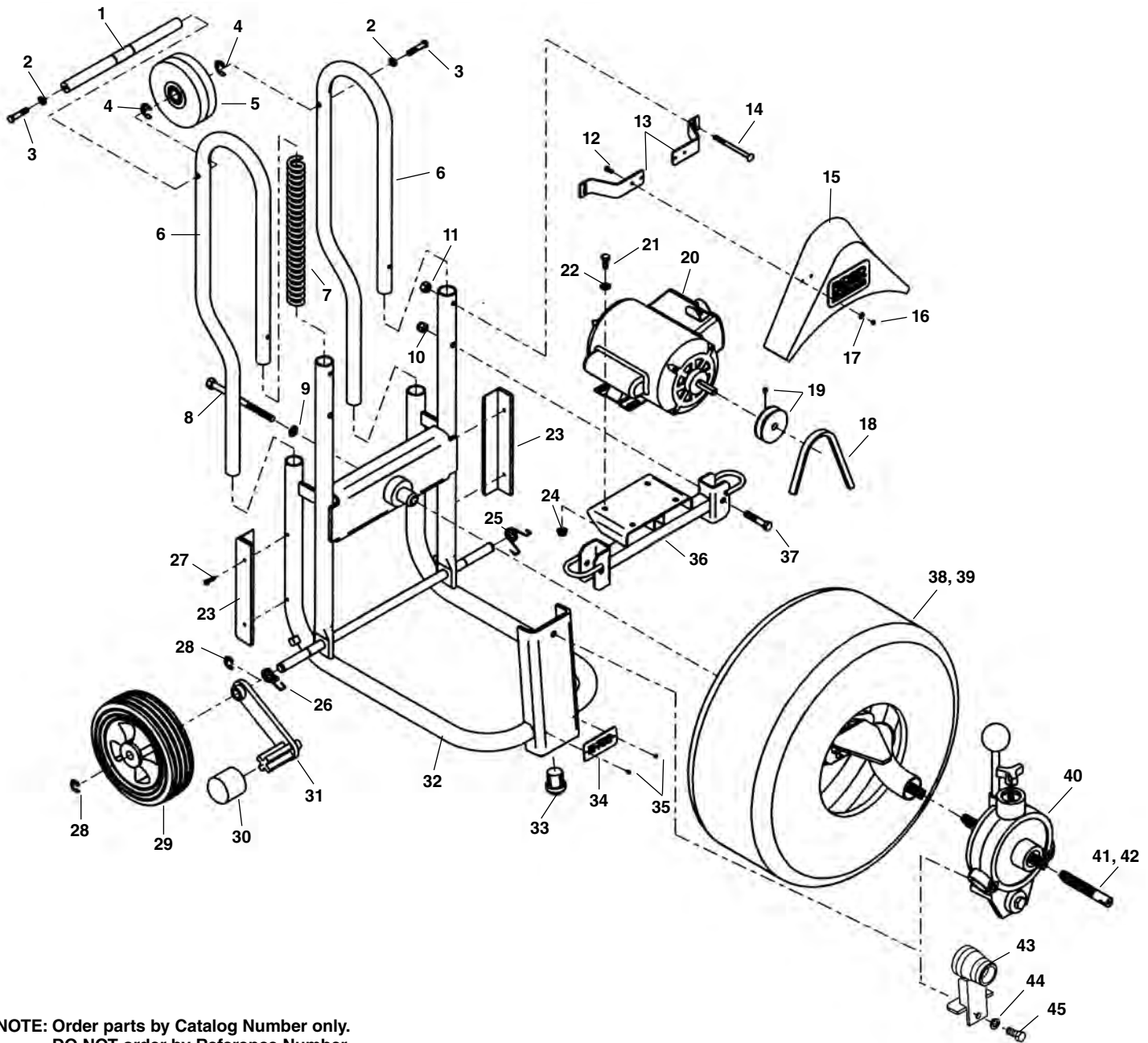
220/240V 50Hz Export



220V 50Hz Europe



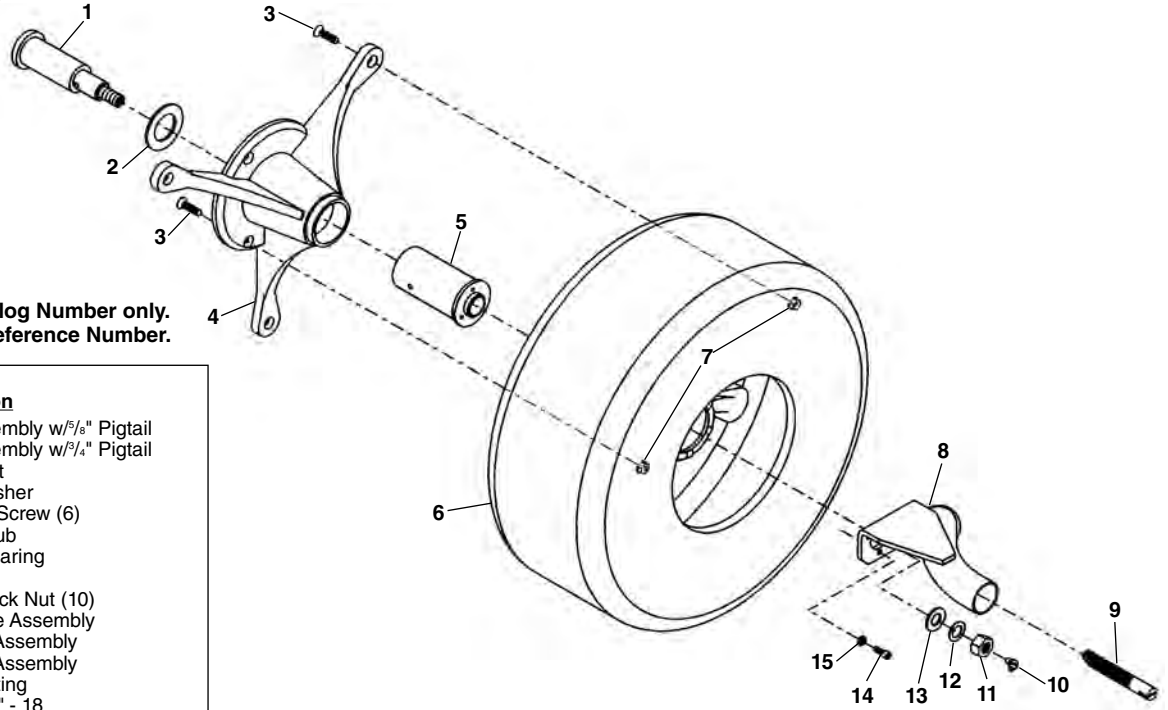
Frame and Drum Assembly



**NOTE: Order parts by Catalog Number only.
DO NOT order by Reference Number.**

Ref. No.	Catalog No.	Description	Ref. No.	Catalog No.	Description	Ref. No.	Catalog No.	Description
1	46632	Axle	16	87970	Nut 10-24 (4)	30	23607	End Cap (2)
2	60080	Lock Washer $\frac{5}{16}$ "	17	61310	External Lock Washer (4)	31	43912	Stabilizer (2)
3	43847	Hex Bolt $\frac{5}{16}$ " - 18 x $1\frac{1}{2}$ "	18	43997	Drive Belt	32	43902	Frame Assembly
4	60050	Retaining Ring	19	43982	Motor Pulley	33	61470	Rest Button
5	46637	Loading Wheel	20	70447	120V 60Hz Motor	34	43907	Name Plate
6	43952	Handle (2)		45052	220/240V 50Hz Motor Assembly	35	76730	Drive Screw (4)
7	65447	Compression Spring		44517	220/240V 50Hz Motor (Europe)	36	43987	Motor Mount Assembly
8	43937	Screw $\frac{1}{2}$ " - 13 x 5" Hex Head (Torque to 60-65 ft. lbs.)	21	61130	Screw (4)	37	43992	Hex Head Screw $\frac{3}{8}$ "-16 x 2"
9	43942	$\frac{1}{2}$ " Lock Washer (2)	22	60060	$\frac{5}{16}$ " Flat Washer (4)	38	43637	Drum Assembly w/ $\frac{5}{8}$ " Pigtail
10	43947	Lock Nut	23	43927	Stair Climber (2)	39	41982	Drum Assembly w/ $\frac{3}{4}$ " Pigtail
11	45407	$\frac{1}{4}$ " - 20 Handle Nut (2)	24	27517	$\frac{5}{16}$ "-18 Lock Nut	40	43642	AUTOFEED [®] Assembly
12	43962	Screw 10 - 24 x $\frac{1}{2}$ " (4)	25	43922	Stabilizer Spring R.H.	41	44117	$\frac{3}{4}$ " Pigtail Assembly
13	43967	Guard Bracket (2)	26	43917	Stabilizer Spring L.H.	42	44122	$\frac{5}{8}$ " Pigtail Assembly
	44502	Guard Bracket (Eur. & Aust.) (2)	27	43932	Self Tapping Screw (4)	43	54427	Manual Feed Assembly
14	43972	Carriage Bolt (2)	28	42580	Retaining Clip (4)	44	43942	$\frac{1}{2}$ " Lock Washer
15	44027	Belt Guard	29	93325	Wheel (2)	45	45287	Hex Head Screw $\frac{1}{2}$ " - 13 x 2"

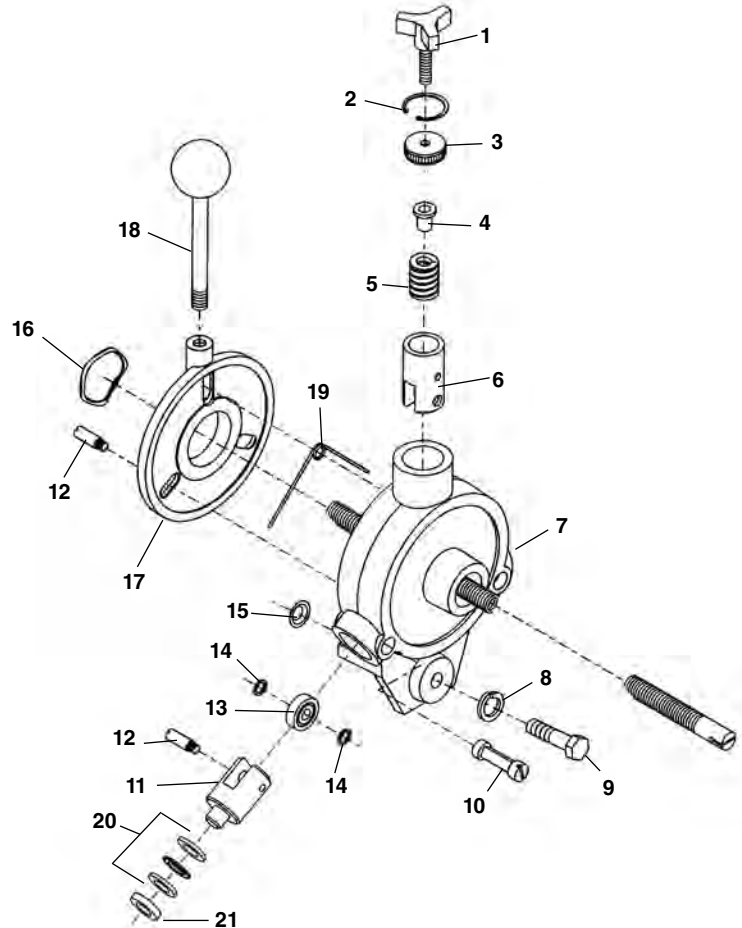
Drum Assembly



NOTE: Order parts by Catalog Number only. DO NOT order by Reference Number.

Ref. No.	Catalog No.	Description
—	43637	Drum Assembly w/5/8" Pigtail
—	41982	Drum Assembly w/3/4" Pigtail
1	44002	Drum Shaft
2	44007	Thrust Washer
3	44012	Flat Head Screw (6)
4	44017	Support Hub
5	44022	Spindle Bearing
6	44032	Drum
7	27517	5/16" - 18 Lock Nut (10)
8	44037	Guide Tube Assembly
9	44117	3/4" Pigtail Assembly
	44122	5/8" Pigtail Assembly
10	89815	Grease Fitting
11	44057	Hex Nut 5/8" - 18
12	44047	Internal Lock Washer
13	44042	5/8" Flat Washer
14	44052	Screw 1/4" - 20 x 5/8" S.H. (3)
15	45150	1/4" Lock Washer (3)

AUTOFEED® Assembly

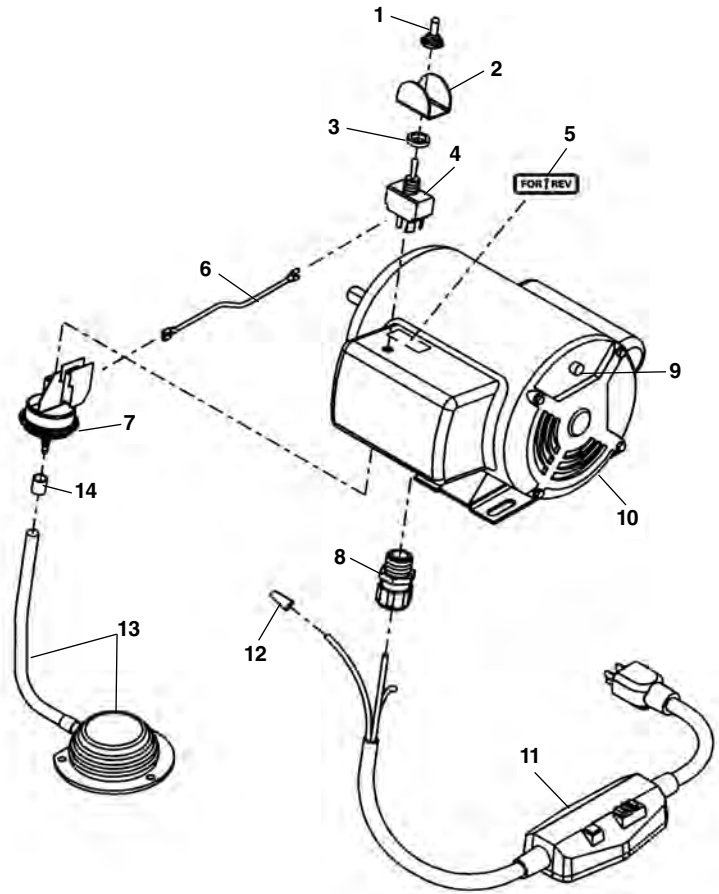


Ref. No.	Catalog No.	Description
—	43642	AUTOFEED® Assembly
1	93580	Feed Knob
2	93500	Retaining Ring
3	93600	Knurled Nut
4	93475	Ball Holder
5	93375	Spring
6	44062	Moveable Roller Holder
7	44067	AUTOFEED® Housing
8	43942	1/2" Lock Washer (2)
9	45287	Screw 1/2" - 13 x 2" Hex Head (Torque to 25-30 ft. lbs.)
10	44092	Roller Holder Cam (2)
11	45417	Stationary Roller Hld (2)
12	44082	Actuator Pin (6)
13	44077	Ball Bearing (3)
14	93460	Spacer (6)
15	44102	Bolt Retainer
16	44112	Retaining Ring
17	44107	Feed Actuator
18	93630	Clutch Handle Assembly
19	44097	Torsion Spring (3)
20	45412	Thrust Washer (4)
21	68372	Spacer (2)

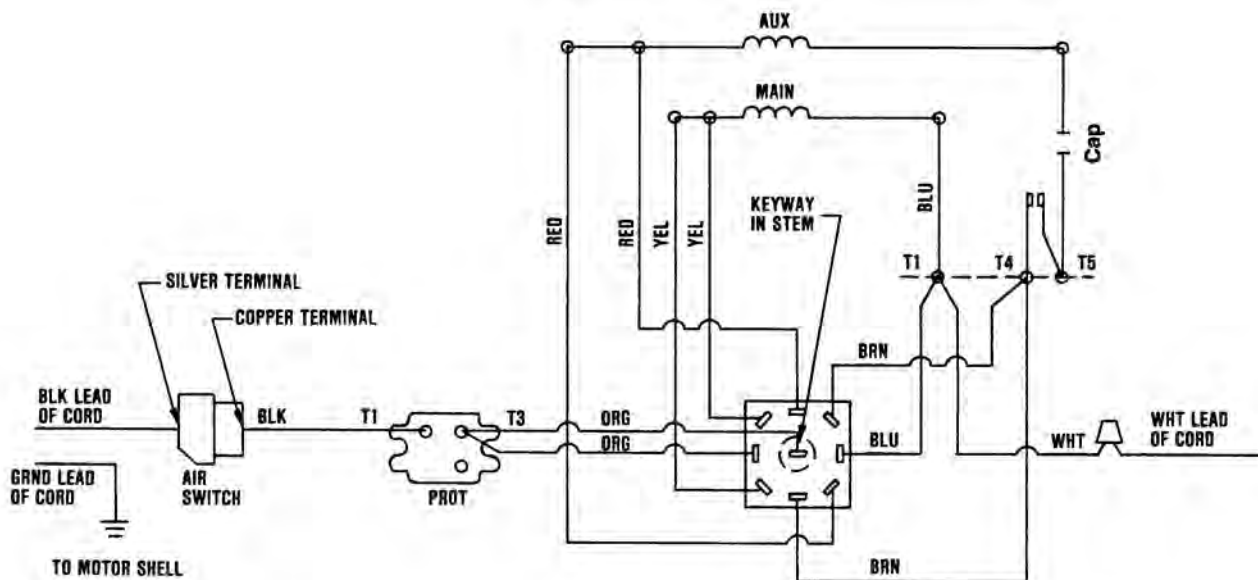
120V 60 Hz Motor

**NOTE: Order parts by Catalog Number only.
DO NOT order by Reference Number.**

Ref. No.	Catalog No.	Description
1	23507	Rubber Boot
2	61490	Switch Guard
3	23512	Rubber Washer
4	41817	Switch
5	23687	FOR/REV Label
6	44877	Lead Wire Assembly
7	32992	Air Switch
8	96265	Strain Relief
9	67422	Thermal Protector
10	70447	Motor Assembly - 120V 60Hz (Includes Ref. No. 1 - 9)
	44517	Motor - 220V 50Hz (Europe)
11	50507	120V Power Cord w/GFCI
12	44635	Wire Nut
13	44072	Foot Switch Assembly
14	35142	Hose Clamp



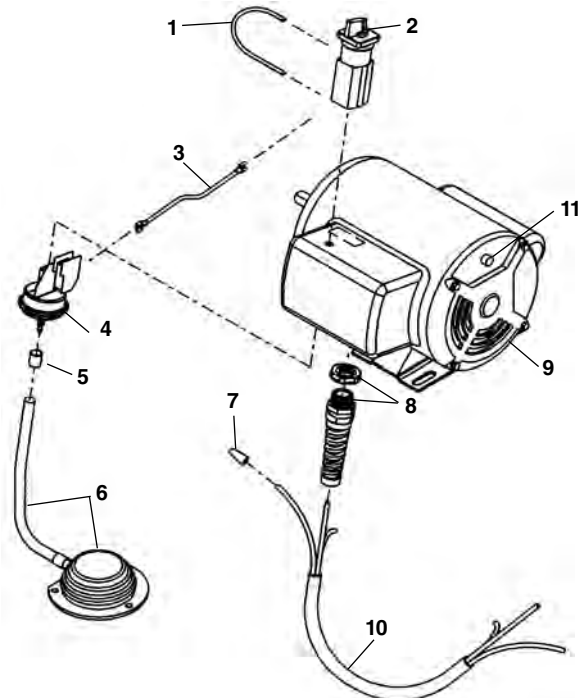
Wiring Diagram 120V 60 Hz Motor



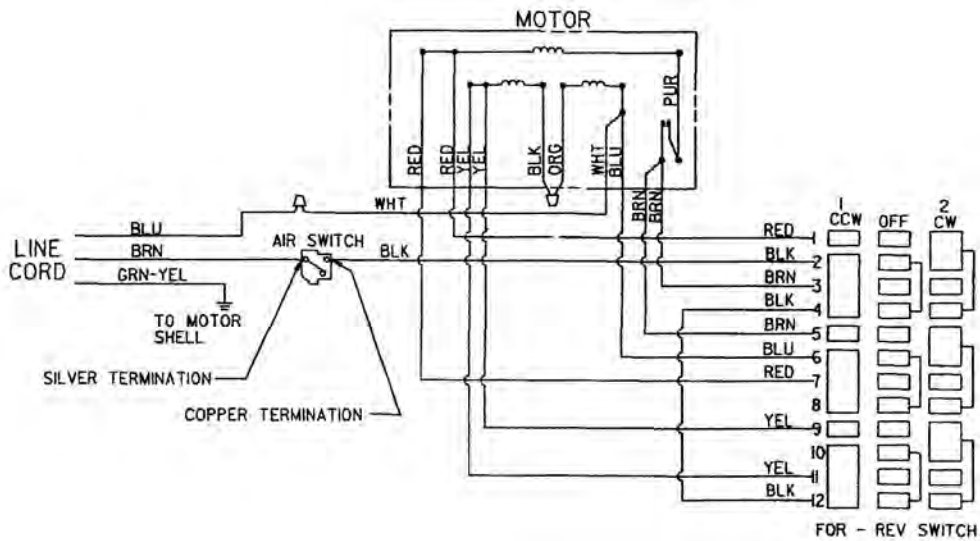
50Hz Motor

**NOTE: Order parts by Catalog Number only.
DO NOT order by Reference Number.**

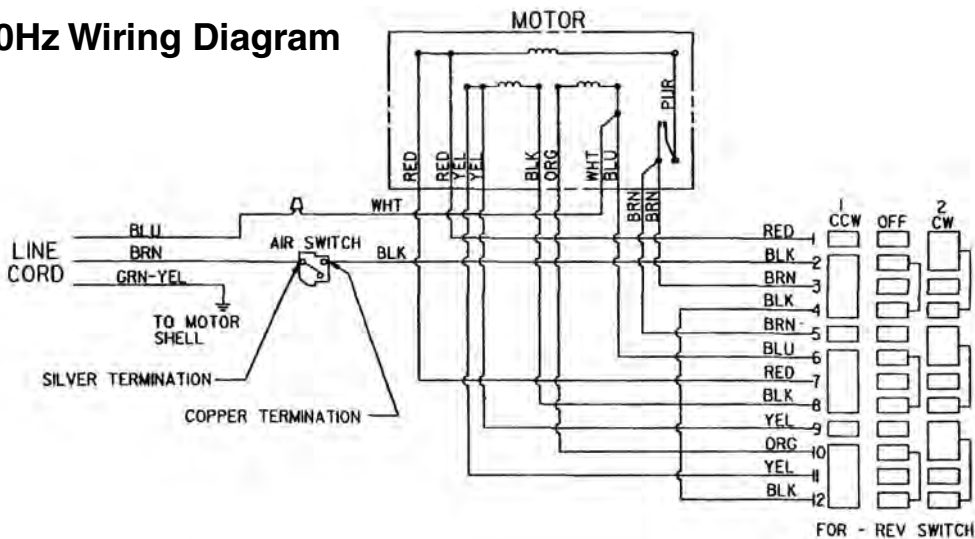
Ref. No.	Catalog No.	Description
1	44882	Jumper Wire Assembly
2	44862	Switch (Australia & Europe)
3	44877	Lead Wire Assembly
4	32992	Air Switch
5	35142	Hose Clamp
6	44072	Foot Switch Assembly
7	44635	Wire Nut
8	27187	Strain Relief
9	45052	220/240V 50Hz Motor Assembly
	44517	220/240V 50Hz Motor Assy. (Eur.)
10	15707	220V Power Cord
	39562	220V Power Cord (Europe)
	15692	240V Power Cord (Australia)
11	67417	Thermal Protector



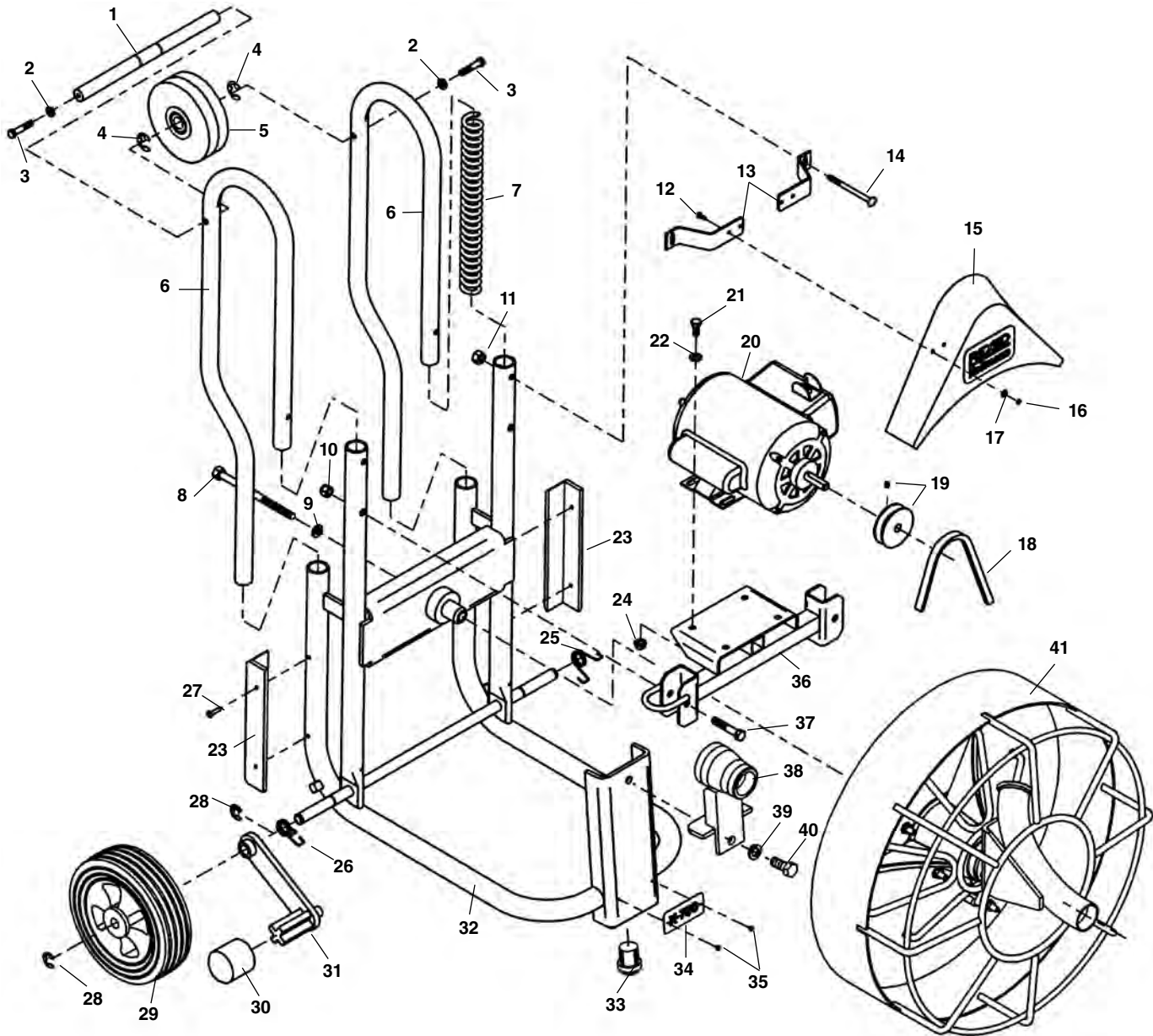
220/240V 50Hz Wiring Diagram



110V 50Hz Wiring Diagram



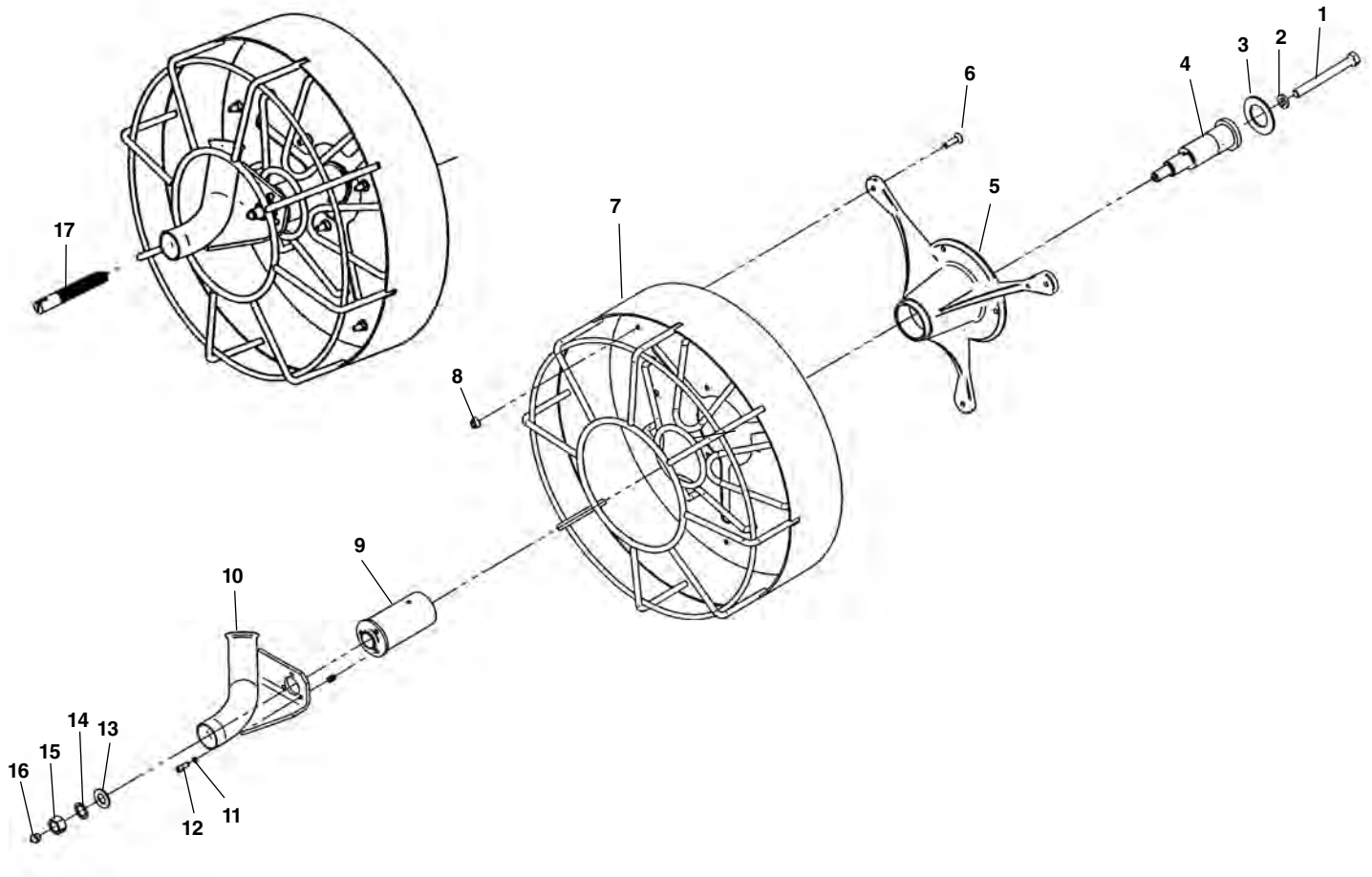
Frame and Drum Assembly



**NOTE: Order parts by Catalog Number only.
DO NOT order by Reference Number.**

Ref. No.	Catalog No.	Description	Ref. No.	Catalog No.	Description	Ref. No.	Catalog No.	Description
1	46632	Axle	15	44027	Belt Guard	29	93325	Wheel (2)
2	60080	Lock Washer $\frac{5}{16}$ " (2)	16	87970	Nut 10-24 (2)	30	23607	End Cap (2)
3	43847	Hex Bolt $\frac{5}{16}$ " - 18 x $1\frac{1}{2}$ " (2)	17	61310	External Lock Washer (2)	31	43912	Stabilizer (2)
4	60050	Retaining Ring (2)	18	43997	Drive Belt	32	43902	Frame Assembly
5	46637	Loading Wheel	19	43982	Motor Pulley	33	61470	Rest Button
6	43952	Handle (2)	20	70447	120V 60Hz Motor Assembly	34	43907	Name Plate
7	84127	Compression Spring	21	61130	Screw (4)	35	76730	Drive Screw (4)
8	43937	Screw $\frac{1}{2}$ " - 13 x 5"	22	60060	$\frac{5}{16}$ " Flat Washer (4)	36	43987	Motor Mount Assembly
9	43942	$\frac{1}{2}$ " Lock Washer	23	43927	Stair Climber (2)	37	43992	Hex Head Screw $\frac{3}{8}$ "-16 x 2"
10	43947	Lock Nut	24	27517	$\frac{5}{16}$ "-18 Lock Nut (4)	38	54427	Manual Feed Assembly
11	45407	$\frac{1}{4}$ " - 20 Handle Nut	25	43922	Stabilizer Spring R.H.	39	43942	$\frac{1}{2}$ " Lock Washer
12	43962	Screw 10 - 24 x $\frac{1}{2}$ " (2)	26	43917	Stabilizer Spring L.H.	40	45287	Hex Head Screw $\frac{1}{2}$ "-13 x 2"
13	43967	Guard Bracket	27	43932	Self Tapping Screw (4)	41	84122	K-750R Drum Assembly
14	43972	Carriage Bolt (2)	28	42580	Retaining Clip (4)			

Drum Assembly



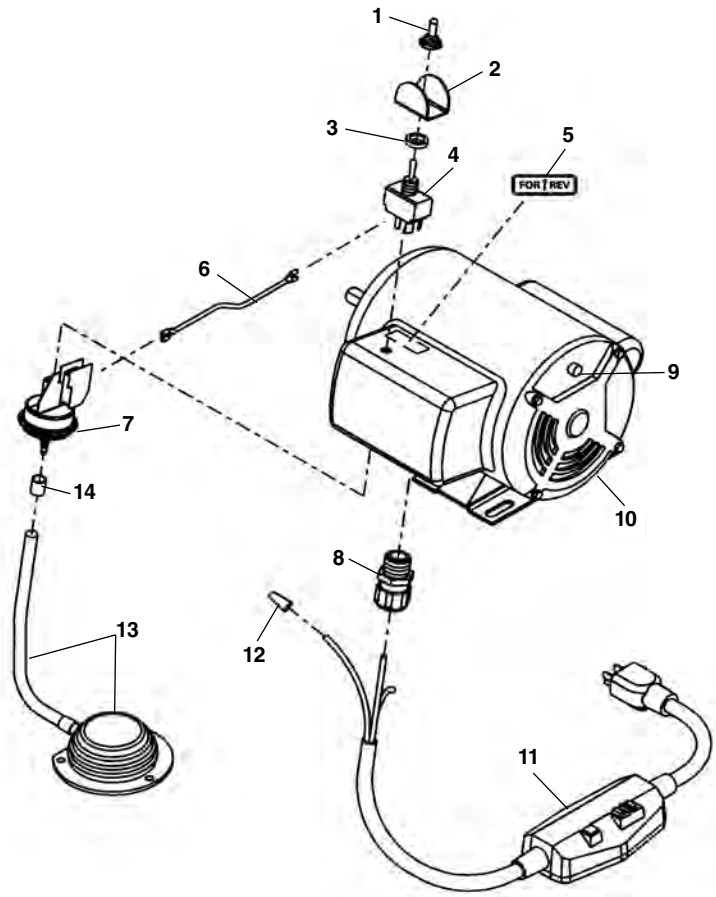
**NOTE: Order parts by Catalog Number only.
DO NOT order by Reference Number.**

Ref. No.	Catalog No.	Description
—	84122	Drum Assembly
1	43937	Hex Head Screw 1/2" - 13 x 5"
2	43942	1/2" Lock Washer
3	44007	Thrust Washer
4	44002	Drum Shaft
5	44017	Support Hub
6	44012	Hex Screw 5/16" - 18 x 1" (3)
7	84422	K-750 Cage Weldment
8	27517	Lock Nut (3)
9	44022	Spindle Bearing
10	44037	Guide Tube Assembly
11	45150	1/4" HiCollar Washer
12	44052	1/4" - 20 Washer
13	44042	5/8" Flat Washer
14	44047	5/8" Internal Lock Washer
15	44057	Hex Nut 5/8" - 18
16	89815	Grease Fitting
17	44122	5/8" Pigtail Assembly

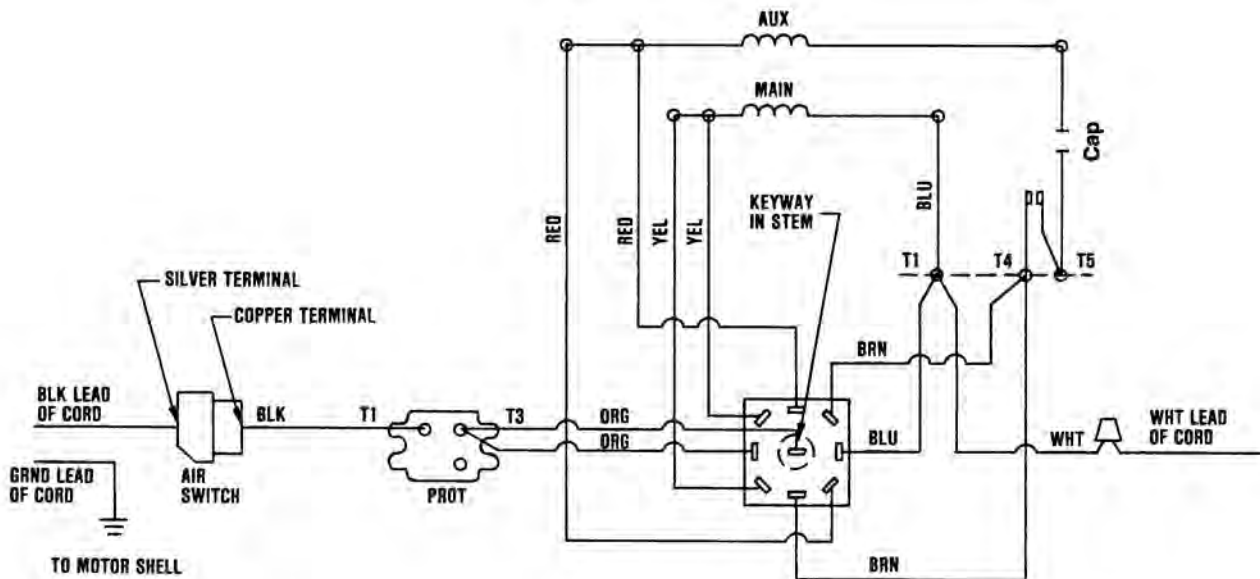
120V 60 Hz Motor

**NOTE: Order parts by Catalog Number only.
DO NOT order by Reference Number.**

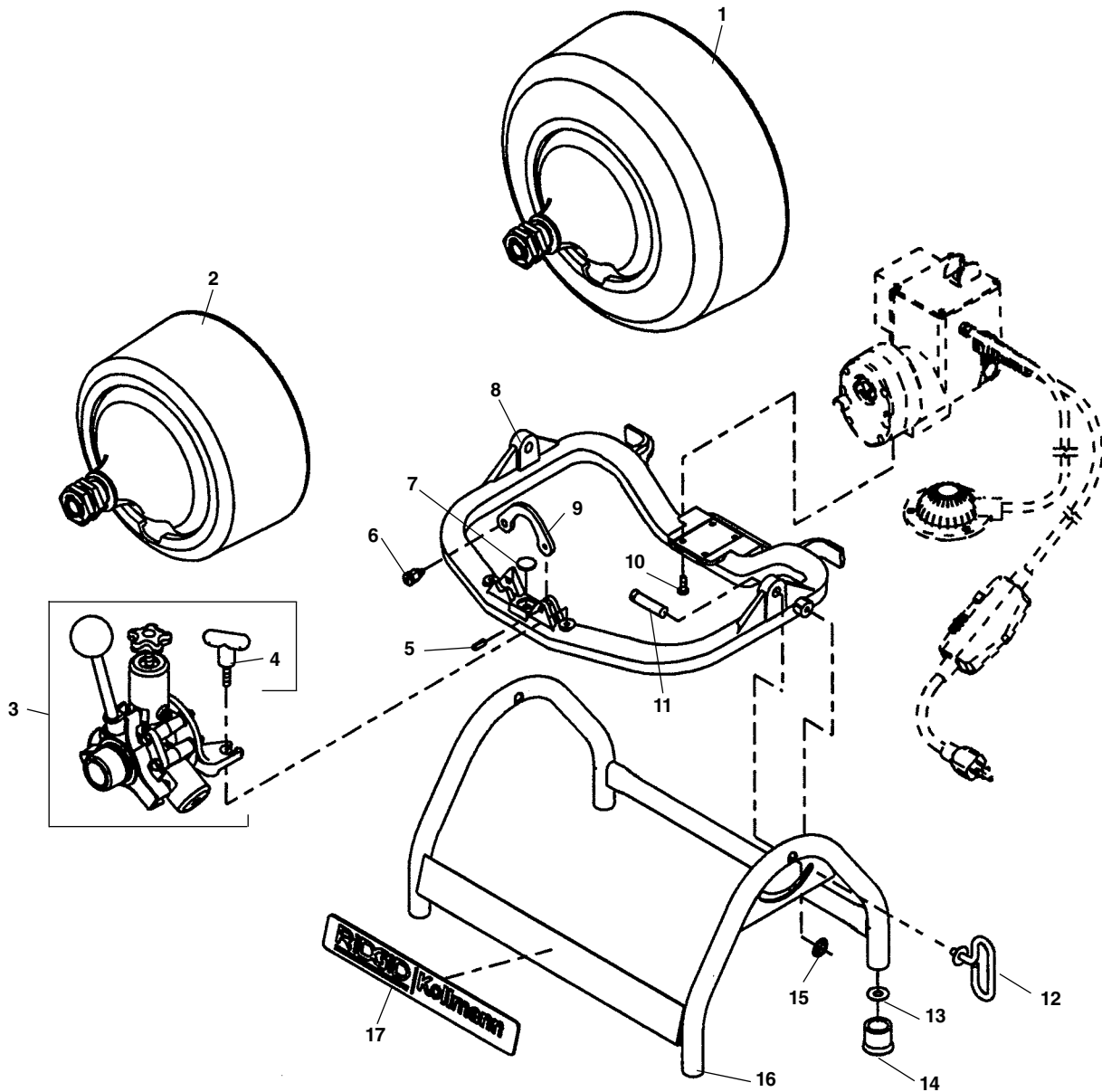
Ref. No.	Catalog No.	Description
1	23507	Rubber Boot
2	61490	Switch Guard
3	23512	Rubber Washer
4	41817	Switch
5	23687	FOR/REV Label
6	44877	Lead Wire Assembly
7	32992	Air Switch
8	96265	Strain Relief
9	67422	Thermal Protector
10	70447	120V 60Hz Motor Assembly (Includes Ref. No. 1 - 9)
11	50507	120V Power Cord w/GFCI
12	44635	Wire Nut
13	44072	Foot Switch Assembly
14	35142	Hose Clamp



Wiring Diagram 120V 60 Hz Motor



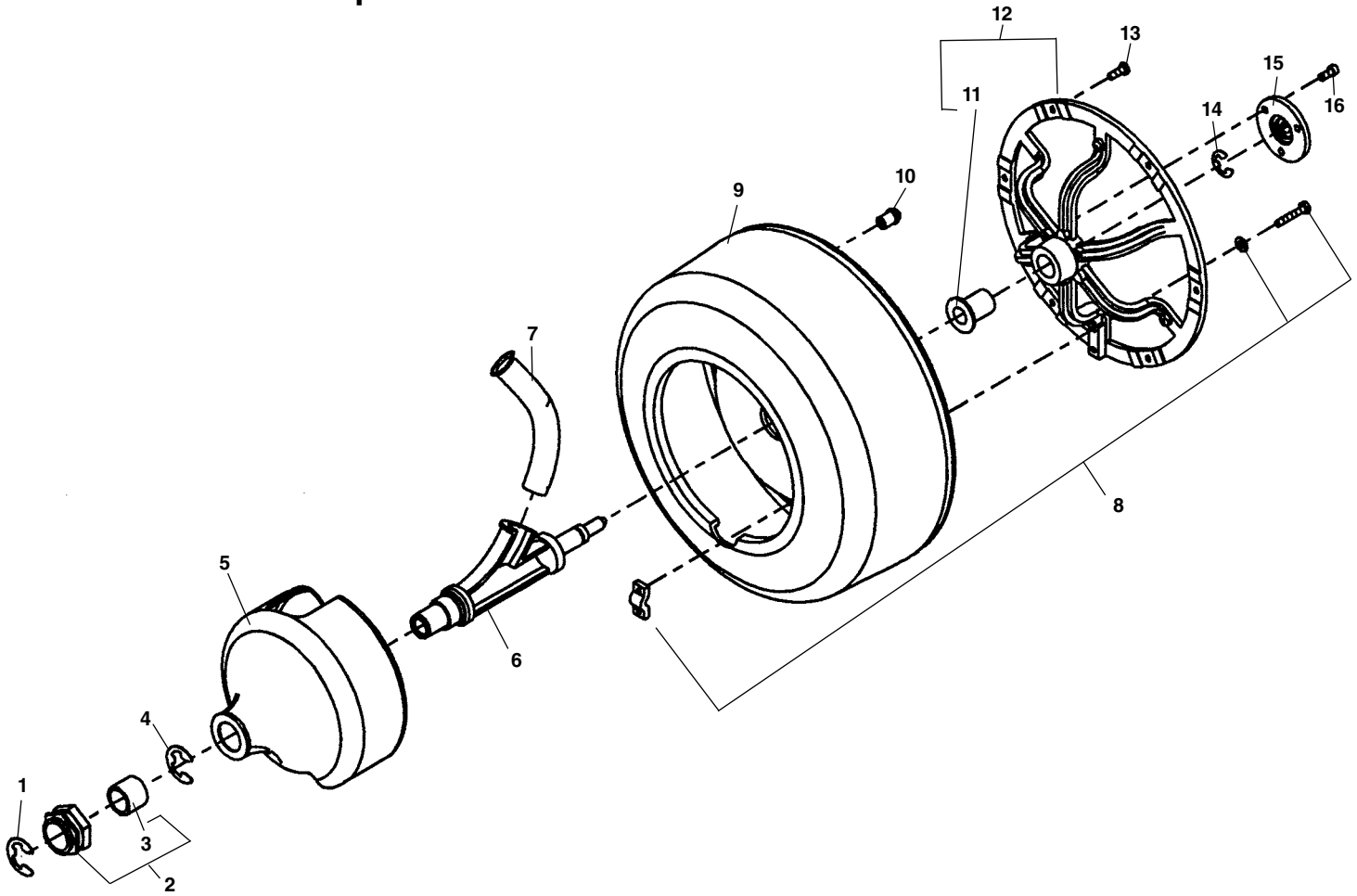
Main Components



**NOTE: Order parts by Catalog Number only.
DO NOT order by Reference Number.**

Ref. No.	Catalog No.	Description	Ref. No.	Catalog No.	Description
1	55002	Standard Drum Assembly	10	56152	Screw 1/4" - 20 x 3/4" (4)
2	55007	Sink Drum Assembly	11	56172	Pivot Pin
3	60087	AUTOFEED® Assembly	12	56192	Swivel Locking Handle
4	60672	Retaining Knob (2)	13	44230	Flat Washer 3/8"
5	56177	Roll Pin 1/4" - 3/4"	14	37962	Rubber End Cap (4)
6	59510	Plunger Pin	15	67427	Push Nut (2)
7	34320	Wear Plug	16	56197	Base
8	56182	Yoke	17	56202	Nameplate
9	56187	Bearing Clamp	18	54562	Tool Holder (Not Shown)

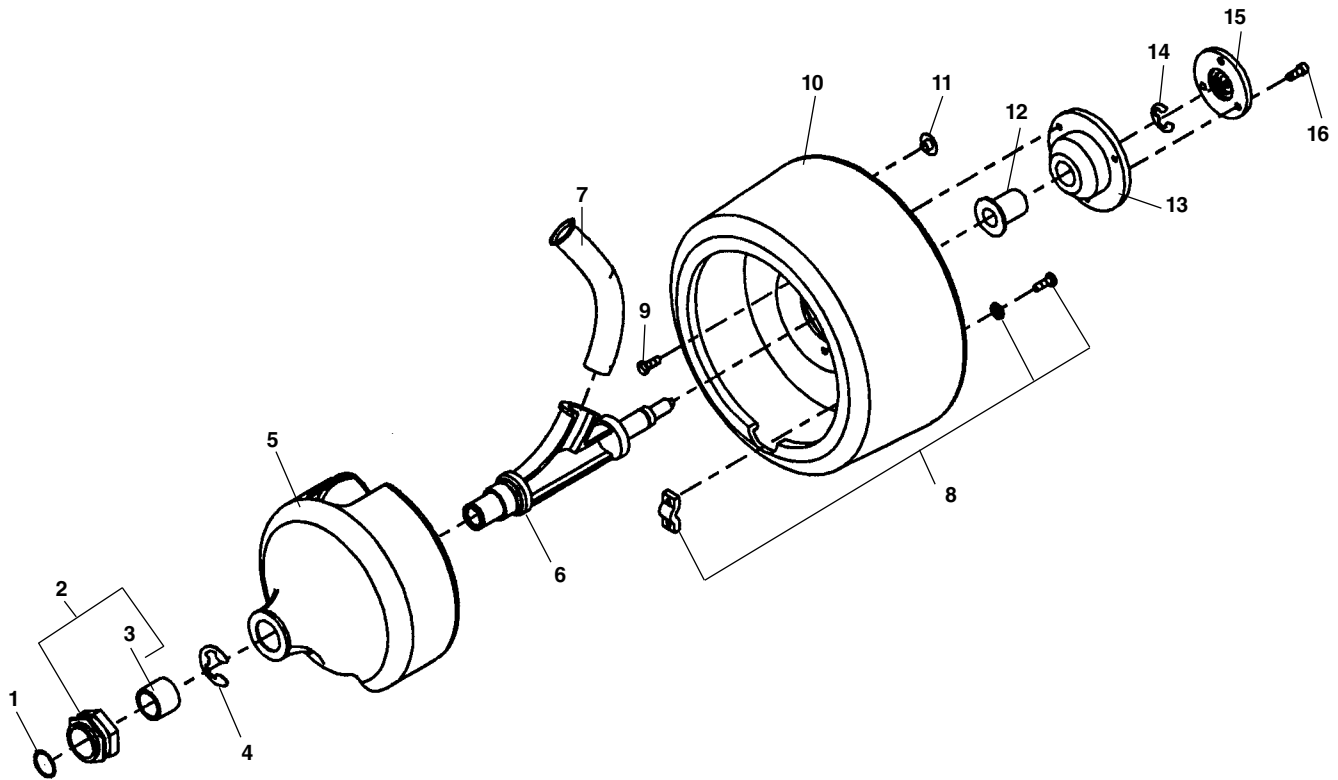
Standard Drum Components



**NOTE: Order parts by Catalog Number only.
DO NOT order by Reference Number.**

Ref. No.	Catalog No.	Description	Ref. No.	Catalog No.	Description
—	55002	Standard Drum Assembly	9	56137	Drum
1	44860	Retaining Ring	10	60552	Drain Plug
2	56107	Bearing Block w/Bearing	11	56157	Flange Bearing
3	56112	Front Bearing	12	56162	Drum Support w/Bearing
4	56117	Retaining Ring	13	56152	Screw 1/4" - 20 x 3/4" (6)
5	56122	Inner Drum	14	60050	Retaining Ring
6	56127	Guide Tube Support	15	56167	Drive Lug
7	56132	Guide Tube	16	39830	Screw 1/4" - 20 x 5/8" (3)
8	56147	Cable Clamp Assembly			

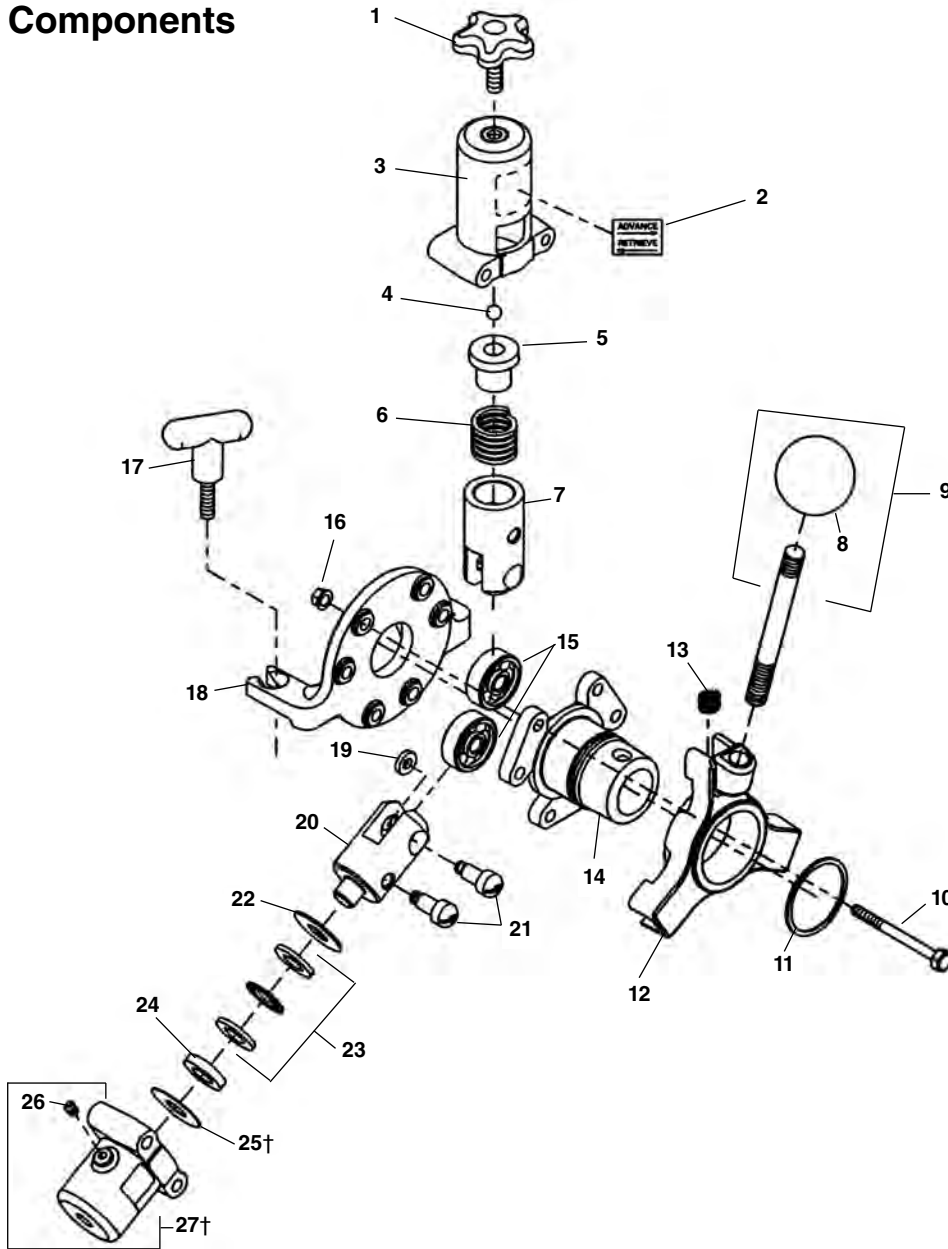
Sink Drum Components



**NOTE: Order parts by Catalog Number only.
DO NOT order by Reference Number.**

Ref. No.	Catalog No.	Description	Ref. No.	Catalog No.	Description
—	55007	Sink Drum Assembly	9	56152	Screw 1/4" - 20 x 3/4" (3)
1	62402	Retaining Ring	10	61212	Sink Drum
2	56107	Bearing Block w/Bearing	11	56142	Drain Plug
3	56112	Front Bearing	12	56157	Flange Bearing
4	56117	Retaining Ring	13	61217	Drum Support
5	56122	Inner Drum	14	60050	Retaining Ring
6	56127	Guide Tube Support	15	56167	Drive Lug
7	56132	Guide Tube	16	39830	Screw 1/4" - 20 x 5/8" (3)
8	56147	Cable Clamp Assembly			

AUTOFEED® Components

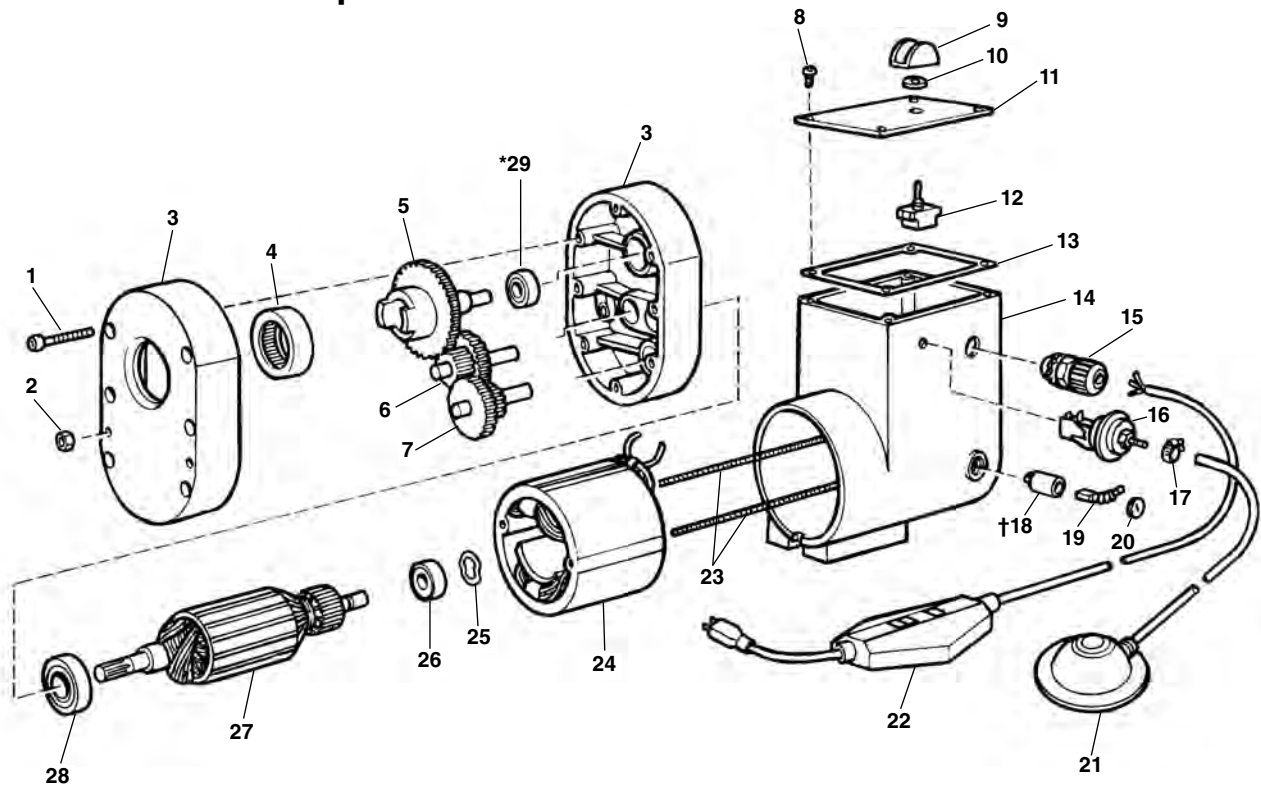


**NOTE: Order parts by Catalog Number only.
DO NOT order by Reference Number.**

Ref. No.	Catalog No.	Description	Ref. No.	Catalog No.	Description
—	60087	AUTOFEED® Assembly	14	60747	Front Support Plate
1	60682	Feed Knob	15	60752	Roller Bearing (3)
2	60762	Advance/Retrieve Label	16	27517	Lock Nut $\frac{5}{16}$ " - 18 (6)
3	60692	Top Roller Housing	17	60672	Handle (2)
4	60702	Ball	18	61222	Back Support Plate
5	93475	Ball Holder	19	60717	Bearing Spacer (3)
6	93375	Spring	20	60722	Stationary Roller Housing (2)
7	60707	Movable Roller Holder	21	60732	Actuator Pin (6)
8	59585	Knob	22	68362	Spacer 0.12" (2)
9	93630	Clutch Handle Assy. w/Knob	23	68367	Thrust Bearing Assembly (2)
10	60737	Bolt $\frac{5}{16}$ " - 18 x 3", Hex Head (6)	24	68372	Spacer 0.235" (2)
11	44112	Retaining Ring	25†	68377	Spacer 0.06" (2)
12	60742	Actuator	26	89810	Grease Fitting (4)
13	60697	Return Spring	27†	60727	Stationary Roller Housing (2)

† Service Note: Remove the 0.06" spacers (Ref. No. 25) from the stationary roller holders (Ref. No. 27) to use the AUTOFEED® on $\frac{1}{2}$ " cable.

Motor and Gearbox Components



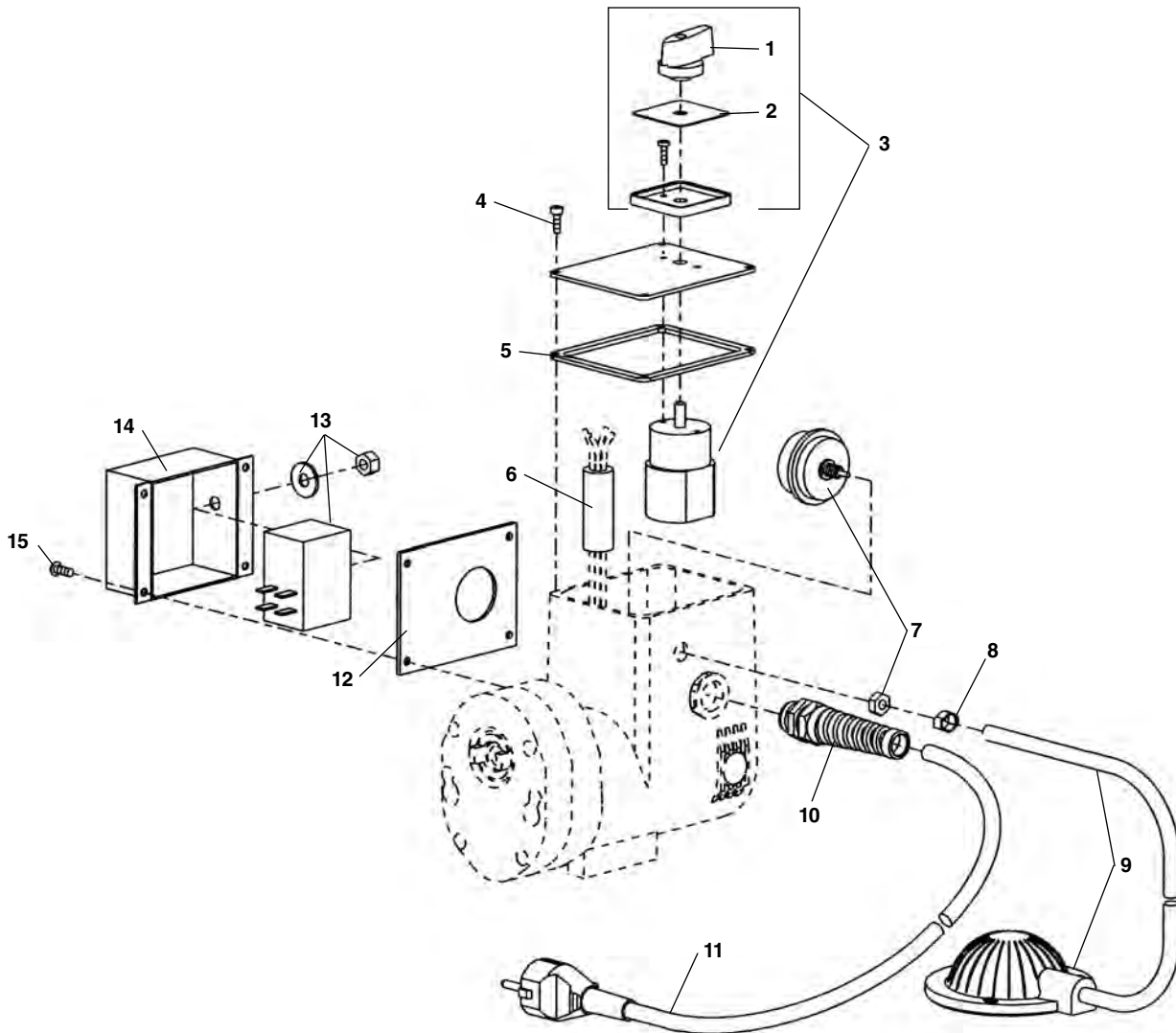
**NOTE: Order parts by Catalog Number only.
DO NOT order by Reference Number.**

Ref. No.	Catalog No.	Description	Ref. No.	Catalog No.	Description
—	56207	Motor/Gear Box Assembly 115V	†18	56267	Brush Holder Set
—	62432	Motor/Gear Box Assembly 230V	—	56272	Brush Holder Screw (2)
—	61707	Motor/Gear Box Assy. 100V Japan	19	56277	Brush Set
1	46770	10 - 32 x 1" Screw (6)	20	56282	Brush Cap Set
2	76190	8 - 32 Hex Nut (4)	21	37967	Foot Switch Assembly
3	56217	Gear Box Housing w/Bearings	22	50507	GFI Line Cord 115V
4	56222	Bearing and Seal Set		15707	Line Cord 230V
5	56227	Output Shaft Assembly		60237	Line Cord 100V
6	66792	2nd Int. Gear	23	56287	Field Stud (2)
7	66787	1st Int. Gear	24	56292	Field Assembly 110/115V
8	79965	10 - 32 x 1/2" Screw (4)		60257	Field Assembly 230V
9	61490	Switch Guard		60247	Field Assembly 100V
10	23512	Rubber Washer	25	56297	Wavy Washer
11	56247	Cover	26	56302	Bearing
12	56252	Toggle Switch	27	56307	Armature 110/115V
13	56257	Cover Gasket		60252	Armature 230V
14	56262	Motor Housing		60242	Armature 100V
15	96265	Strain Relief	28	56312	Bearing
16	32992	Air Switch	*29	56332	Thrust Bearing
17	35142	Hose Clamp			

†Service Note: Brush holder screws are located under field studs (Ref. No. 23).

* Ref. 29 Assemble stamped end into housing.

European Electrical Components

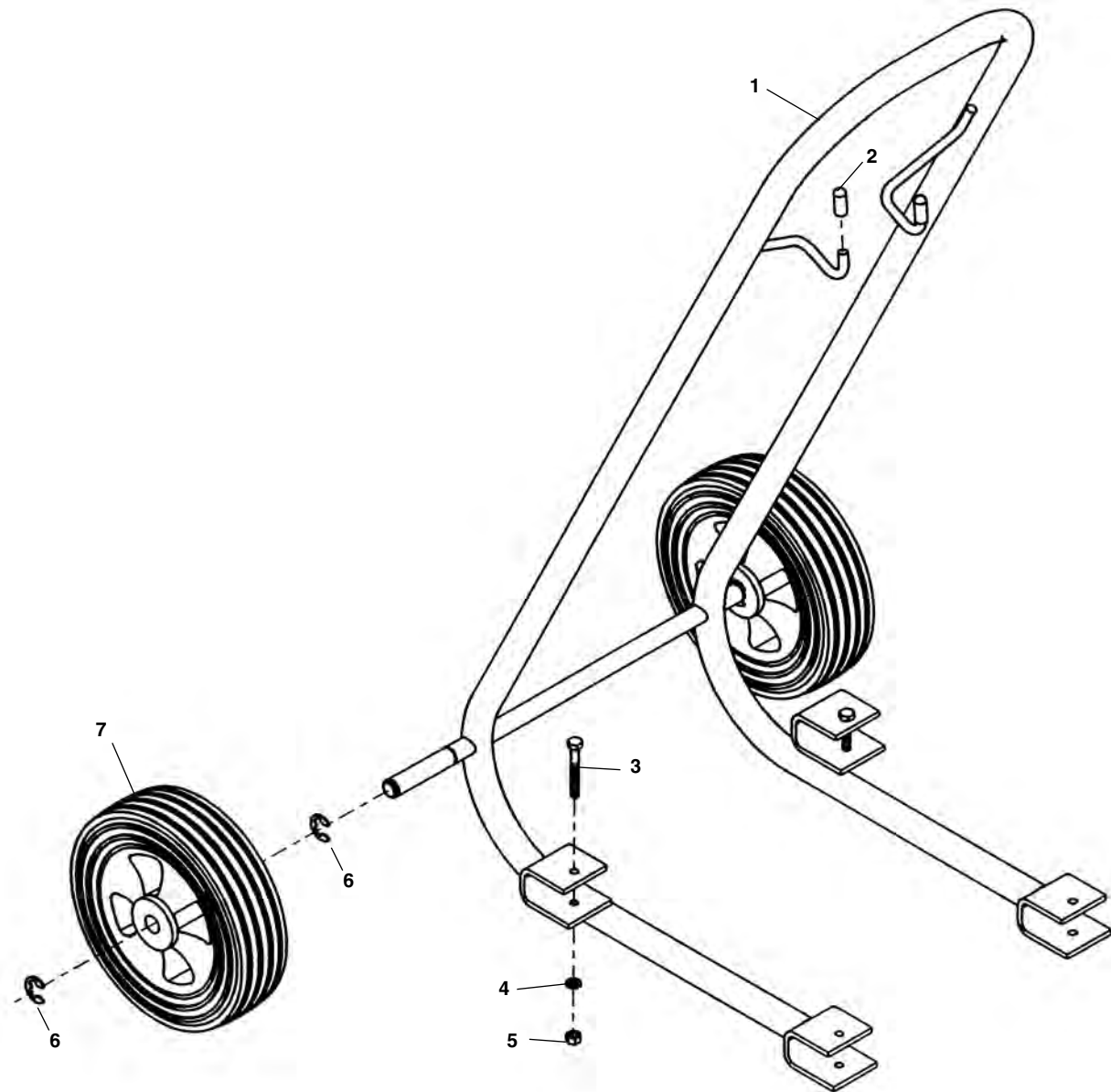


**NOTE: Order parts by Catalog Number only.
DO NOT order by Reference Number.**

Ref. No.	Catalog No.	Description	Ref. No.	Catalog No.	Description
—	67892	220V Motor Assembly - Europe	8	35142	Clamp
—	67897	110V Motor Assembly - Europe	9	37967	Foot Switch w/Hose
1	61397	Switch Knob	10	27187	Strain Relief w/Lock Nut
2	57517	Face Plate	11	39562	Power Cord - 220V
3	54157	Switch Assembly		45022	Power Cord - 110V
4	79965	Screw 10 - 32 X 1/2" (4)	12	67907	Gasket
5	56257	Gasket	13	63372	Suppressor w/Washer & Nut
6	63377	Ferrite Bead	14	67902	Suppressor Box
7	32992	Air Switch	15	36787	Screw #10 Self-tapping

Note: Refer to Motor and Gearbox Components for internal motor parts.

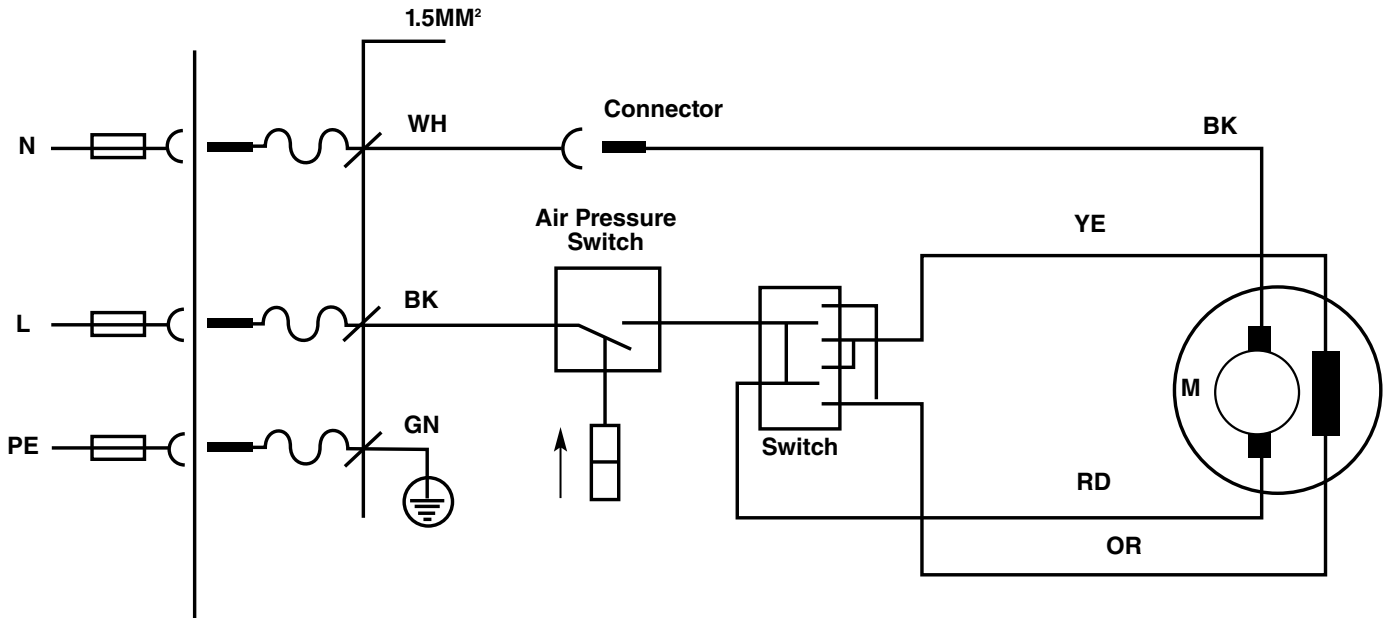
Transport Cart Components



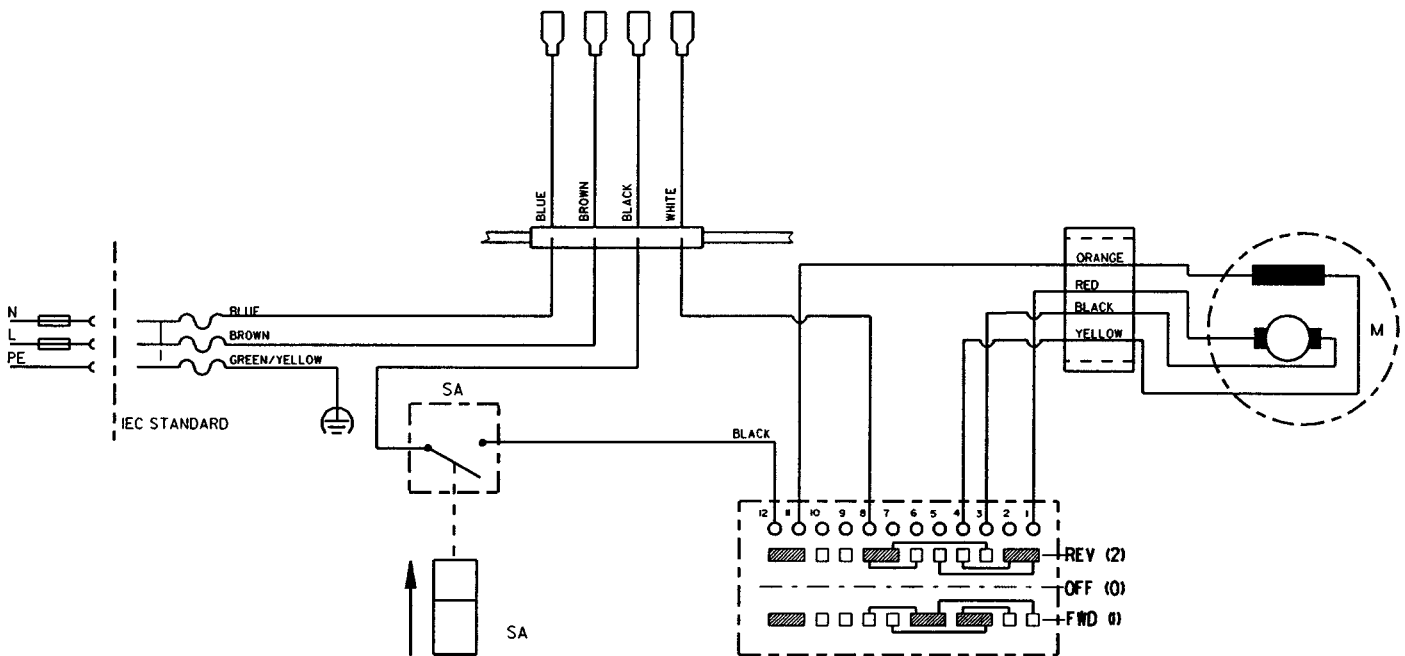
**NOTE: Order parts by Catalog Number only.
DO NOT order by Reference Number.**

Ref. No.	Catalog No.	Description
—	55017	Transport Cart
1	64872	Frame
2	50202	Vinyl Cap (2)
3	64877	Bolt 1/4" – 20 x 2" (2)
4	60075	Lock Washer (2)
5	77710	Jam Nut (2)
6	42580	Retaining Ring (4)
7	93325	Wheel (2)

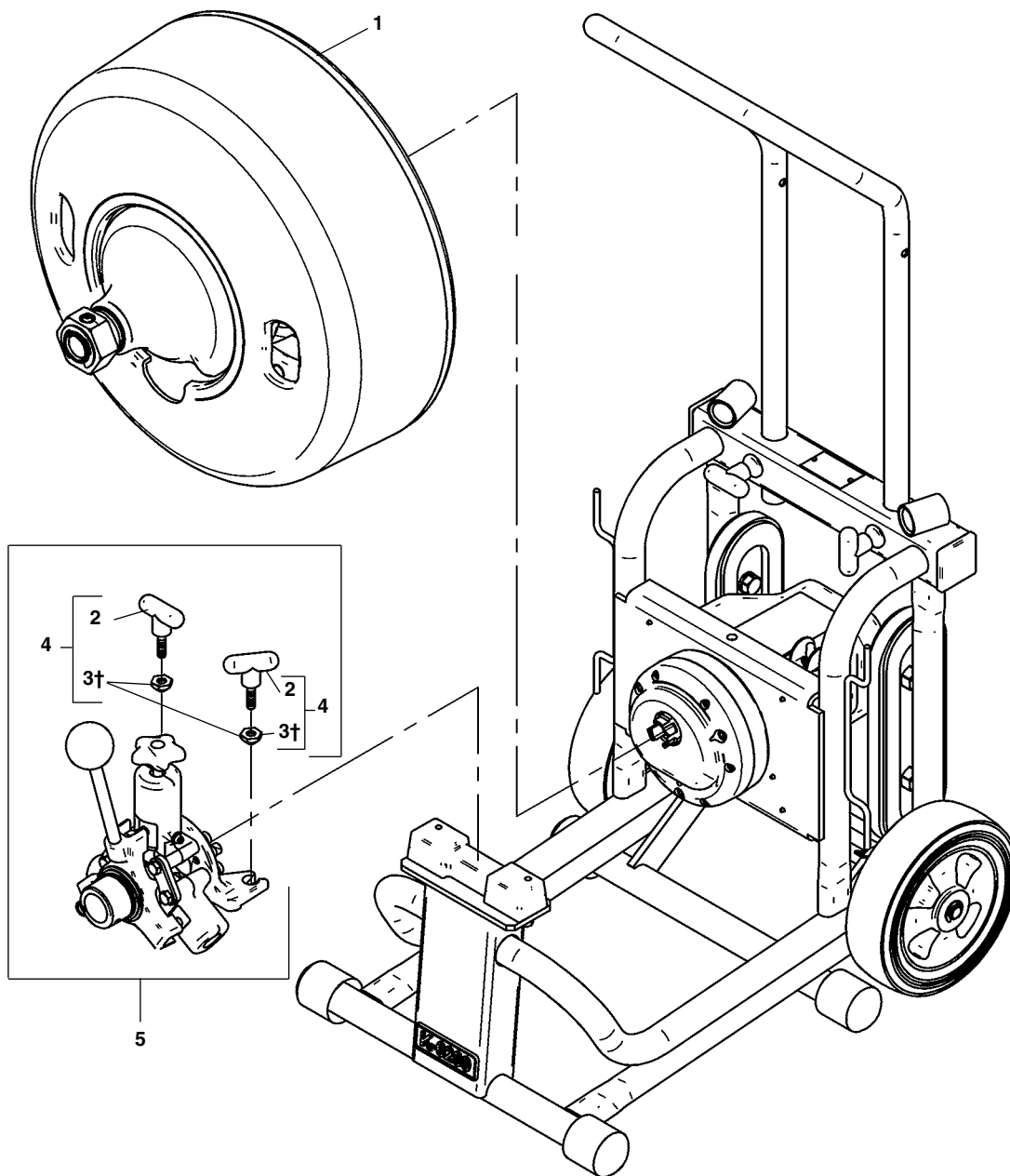
Wiring Diagram 115V/25-60 Hz



Wiring Diagram 110/220V 50 Hz



Main Components

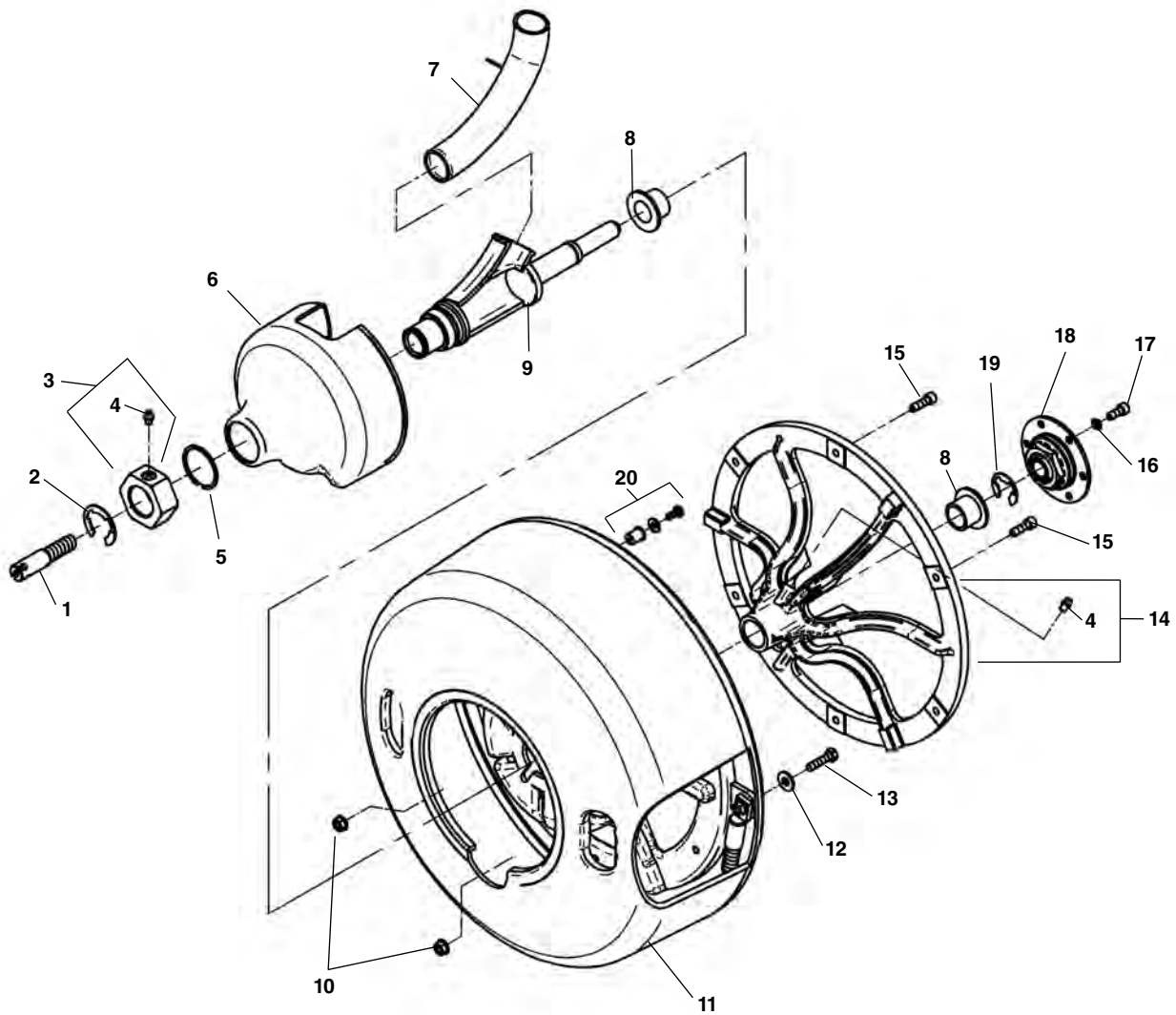


**NOTE: Order parts by Catalog Number only.
DO NOT order by Reference Number.**

Ref. No.	Catalog No.	Description
1	95802	Drum Assembly
2	60622	Mounting Knob (2)
3†	95832	Locator Ring (2)
4	60672	Mounting Knob Assembly (2)
5	95812	AUTOFEED® Assembly

† Apply Loctite to Locator Ring.

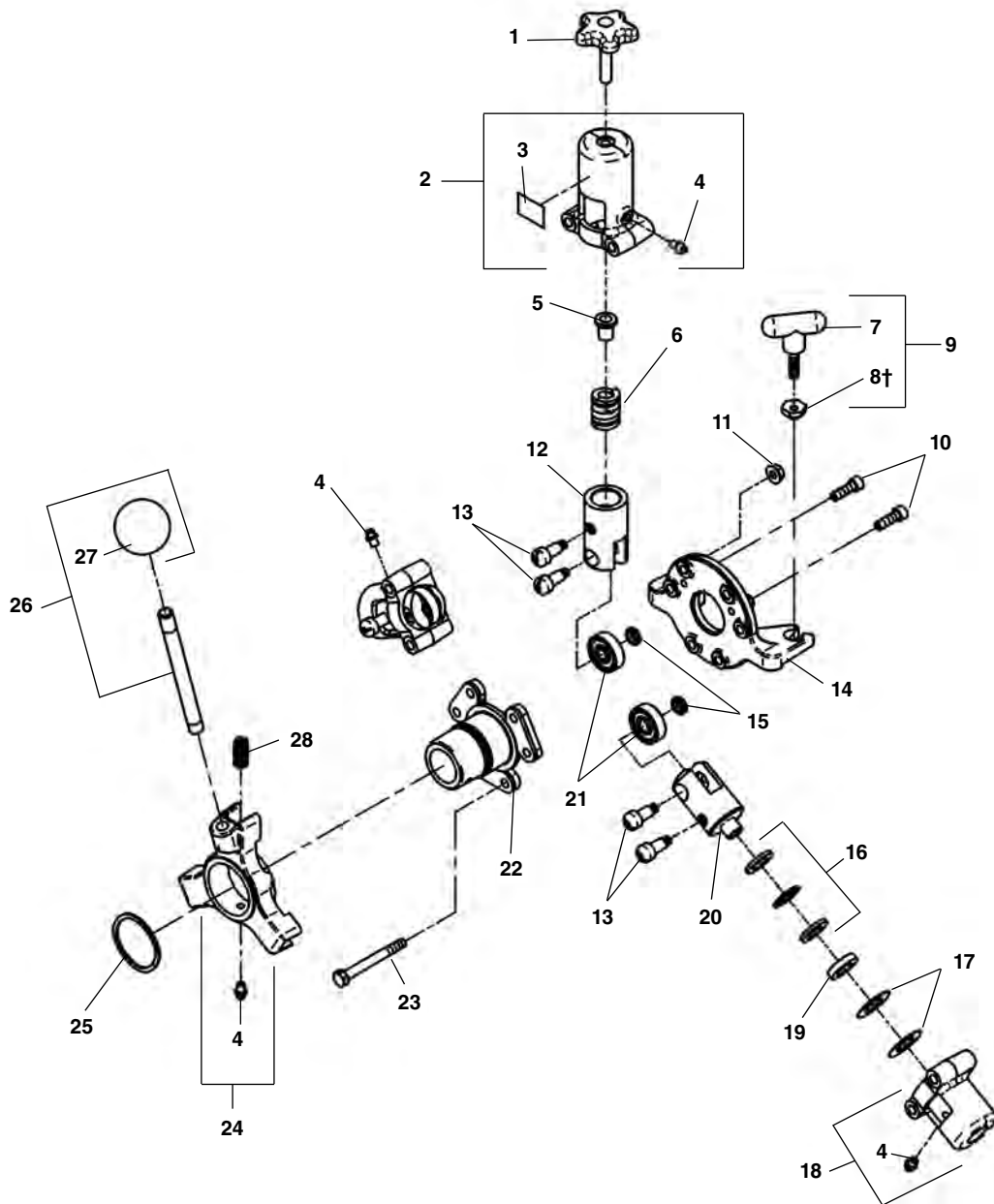
Standard Drum Components



**NOTE: Order parts by Catalog Number only.
DO NOT order by Reference Number.**

Ref. No.	Catalog No.	Description	Ref. No.	Catalog No.	Description
—	95802	Drum Assembly	11	95662	Drum
1	44122	Pigtail	12	35005	Washer, Flat 5/16"
2	64042	Retaining Clip	13	60515	Screw, Hex Head 5/16" - 18 x 1 1/4"
3	95692	Bearing Block	14	95667	Drum Support
4	89810	Grease Fitting (2)	15	61020	Screw, Socket Head 5/16" - 18 x 1" (6)
5	95697	Retaining Ring	16	95837	Washer, Lock 5/16" (3)
6	95687	Inner Drum	17	32270	Screw, 5/16" - 18 x 3/4" (3)
7	95682	Guide Tube	18	95702	Clutch Assembly
8	95672	Flange Bearing (2)	19	44860	Retaining Clip
9	95677	Guide Tube Shaft	20	60552	Drain Plug
10	27517	Nut, Flange 5/16" - 18 (7)			

AUTOFEED®

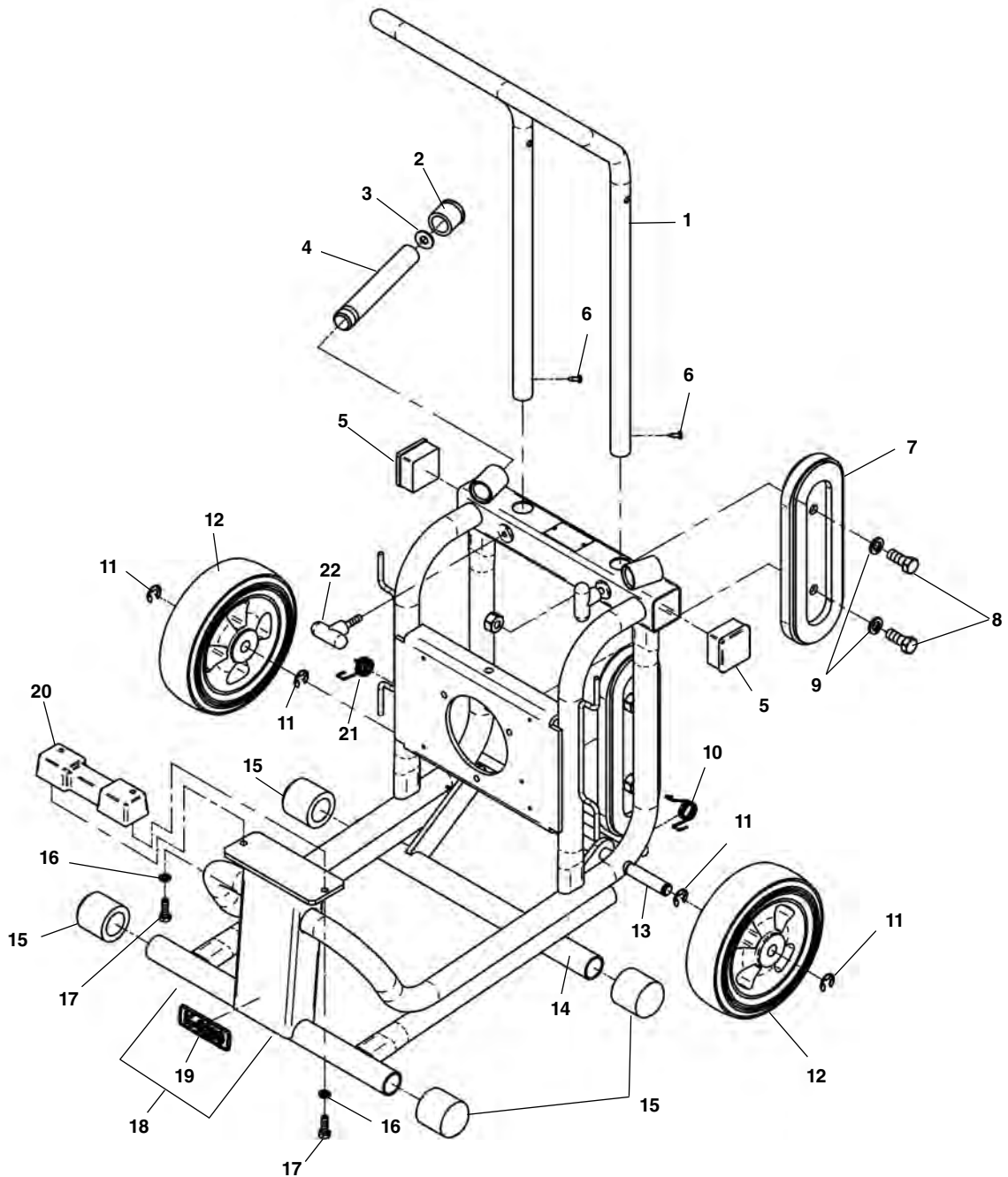


**NOTE: Order parts by Catalog Number only.
DO NOT order by Reference Number.**

Ref. No.	Catalog No.	Description	Ref. No.	Catalog No.	Description
—	95812	AUTOFEED® Assembly	15	60717	Bearing Spacer (3)
1	60682	Feed Knob	16	68367	Thrust Bearing Assembly (2)
2	60692	Top Roller Housing	17	60037	Spacer (4)
3	60762	Advance/Retrieve Label	18	60727	Stationary Roller Housing (2)
4	89810	Grease Fitting (4)	19	68372	Spacer 0.235" (2)
5	93475	Ball Holder	20	60722	Stationary Roller Holder (2)
6	93375	Spring	21	60752	Roller Bearing (3)
7	60622	Mounting Knob (2)	22	60747	Front Support Plate
8†	95832	Locator Ring (2)	23	60737	Bolt 5/16" - 18 x 3", Hex Head (6)
9	60672	Mounting Knob Assembly (2)	24	60742	Actuator
10	32270	Screw Socket Head 5/16" - 18 x 3/4" (2)	25	44112	Retaining Ring
11	27517	Lock Nut 5/16" - 18 (6)	26	93630	Clutch Handle Assembly w/Knob
12	60707	Movable Roller Holder	27	59585	Knob
13	60732	Actuator Pin (6)	28	60697	Return Spring
14	95632	Back Support Plate			

† Apply Loctite to Locator Ring

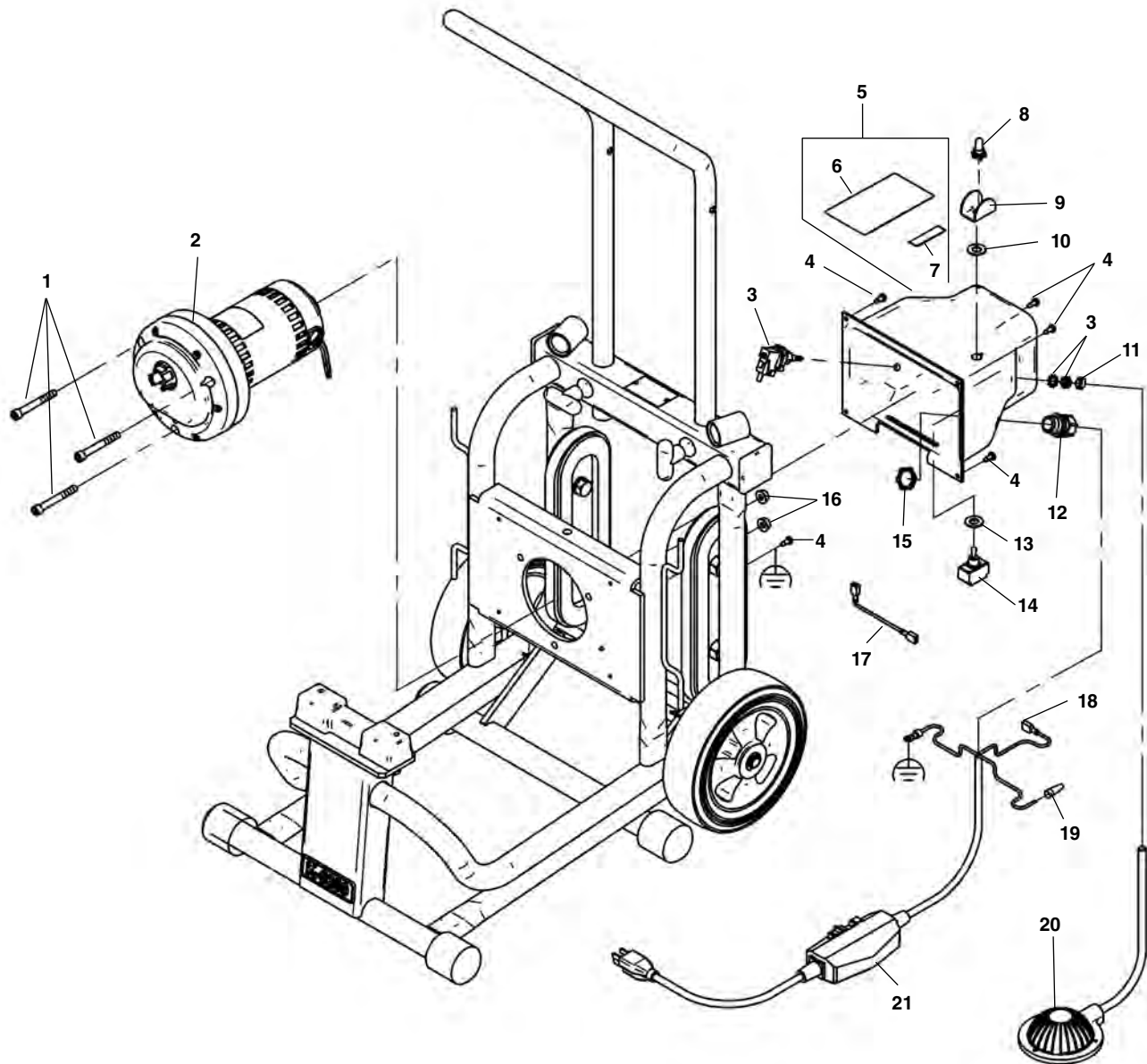
Frame



**NOTE: Order parts by Catalog Number only.
DO NOT order by Reference Number.**

Ref. No.	Catalog No.	Description	Ref. No.	Catalog No.	Description
1	95657	Handle	12	93325	Wheel (2)
2	37962	Rubber Tip (2)	13	95642	Axle
3	60847	Washer, Flat (2)	14	95647	Stabilizer
4	95867	Pipe Leg (2)	15	23607	End Cap (2)
5	66027	Square Plug (2)	16	60080	Washer, Lock $\frac{5}{16}$ " (2)
6	68937	Self-Tap Screw (2)	17	60820	Screw, Hex Head $\frac{5}{16}$ " - 18 x 1" (2)
7	60607	Stairclimber (2)	18	95637	Frame
8	60020	Bolt, Hex Head $\frac{1}{2}$ " - 13 x $1\frac{1}{4}$ " (4)	19	95707	Model Plate
9	43942	Washer, Lock $\frac{1}{2}$ " (4)	20	95652	AUTOFEED® Support
10	43917	Spring LH	21	43922	Spring RH
11	42580	Retaining Ring (4)	22	60622	Mounting Knob (2)

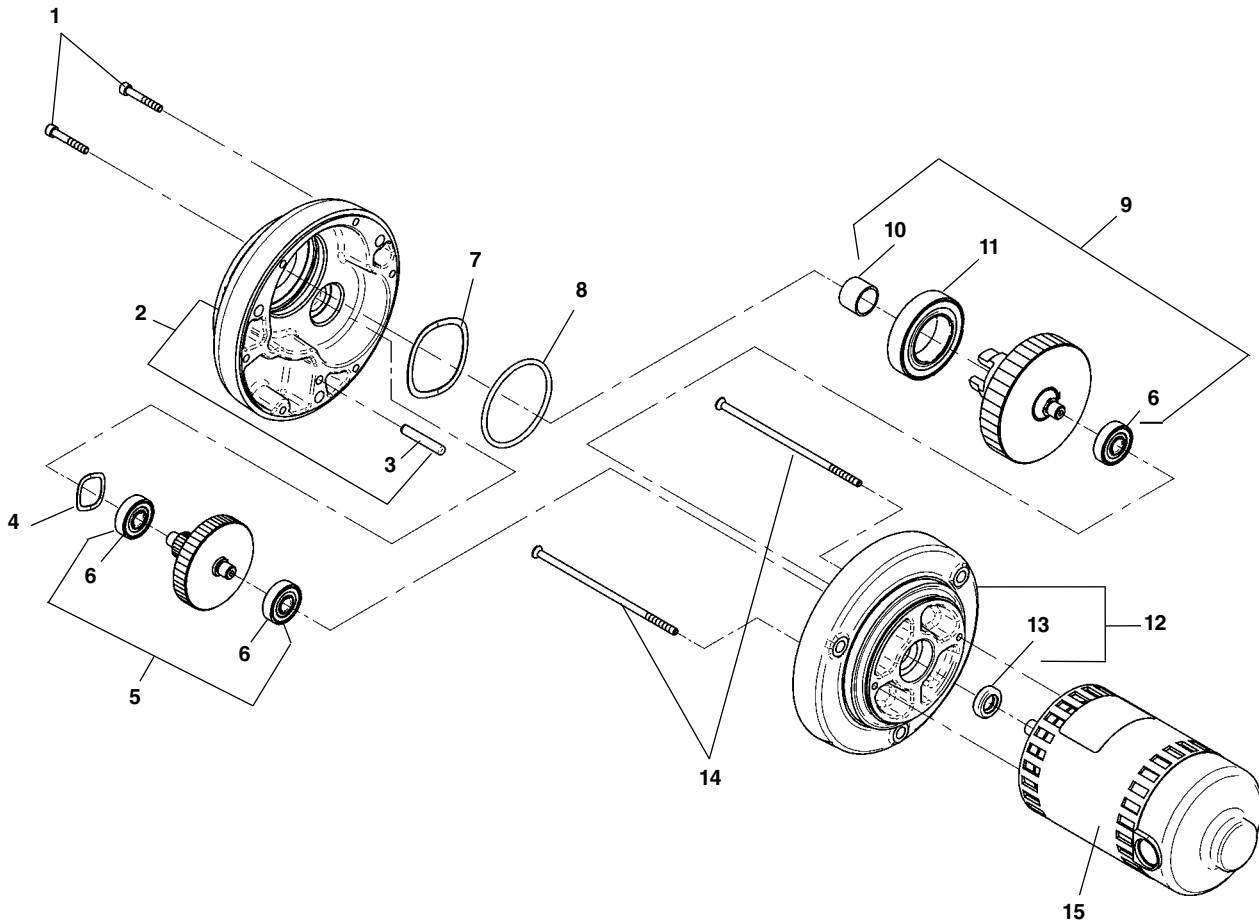
Electrical Components



**NOTE: Order parts by Catalog Number only.
DO NOT order by Reference Number.**

Ref. No.	Catalog No.	Description	Ref. No.	Catalog No.	Description
1	27107	Screw, Socket Head 5/16" - 18 x 2 1/2" (3)	12	96265	Strain Relief
2	95622	Motor Gearbox Assembly	13	66892	Locking Ring
3	32992	Air Switch	14	56252	Switch
4	68937	Screw, Self-Tapping (5)	15	80065	Nut, 3/4" NPT
5	95627	Motor Cover	16	27517	Nut, Flange 5/16" - 18 (3)
6	60767	Warning Decal	17	95842	Jumper Wire Assembly
7	23687	FORWARD/OFF/REVERSE Decal	18	48072	Quick Disconnect, Female (6)
8	23507	Rubber Boot	19	44635	Wire Nut
9	61940	Switch Guard	20	60462	Foot Switch
10	23512	Rubber Washer	21	50507	Power Cord, GFCI
11	35142	Hose Clamp			

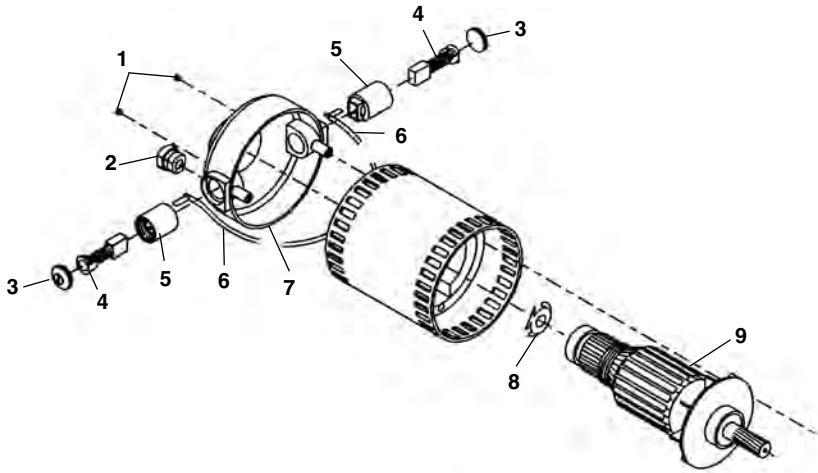
Motor/Gearbox Components



**NOTE: Order parts by Catalog Number only.
DO NOT order by Reference Number.**

Ref. No.	Catalog No.	Description	Ref. No.	Catalog No.	Description
—	95622	Motor/Gearbox Assembly	8	95942	O-Ring
1	90255	Screw	9	95947	Output Gear Assembly
2	95922	Gearcase, Front	10	95952	Sleeve Bearing
3	95927	Pin	11	95957	Bearing
4	58502	Wave Washer	12	95962	Gear Case, Back
5	95932	Gear Assembly, 1st Intermediate	13	95967	Seal
6	44760	Bearing	14	60532	Screw
7	95937	Wave Washer	15	95972	Motor

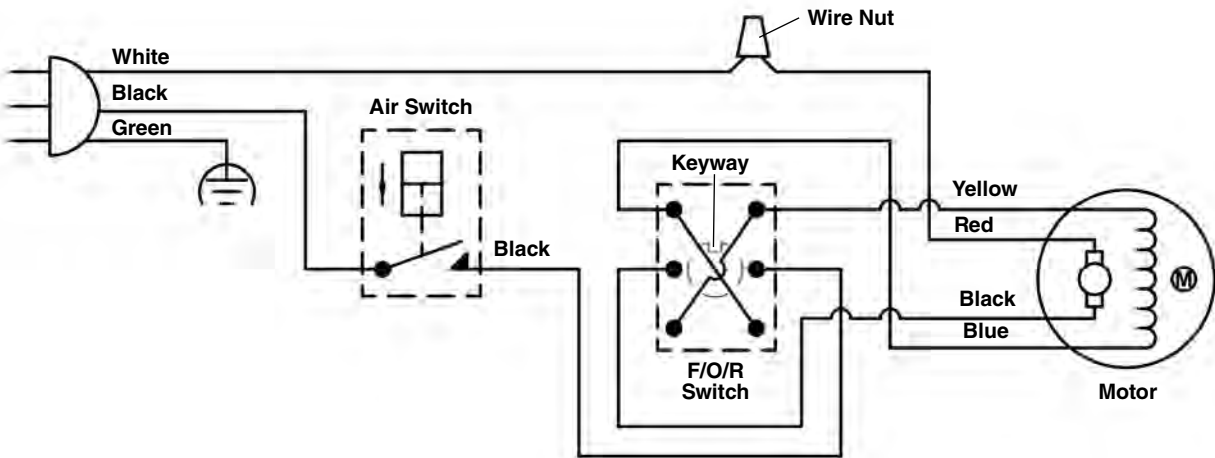
Motor Components



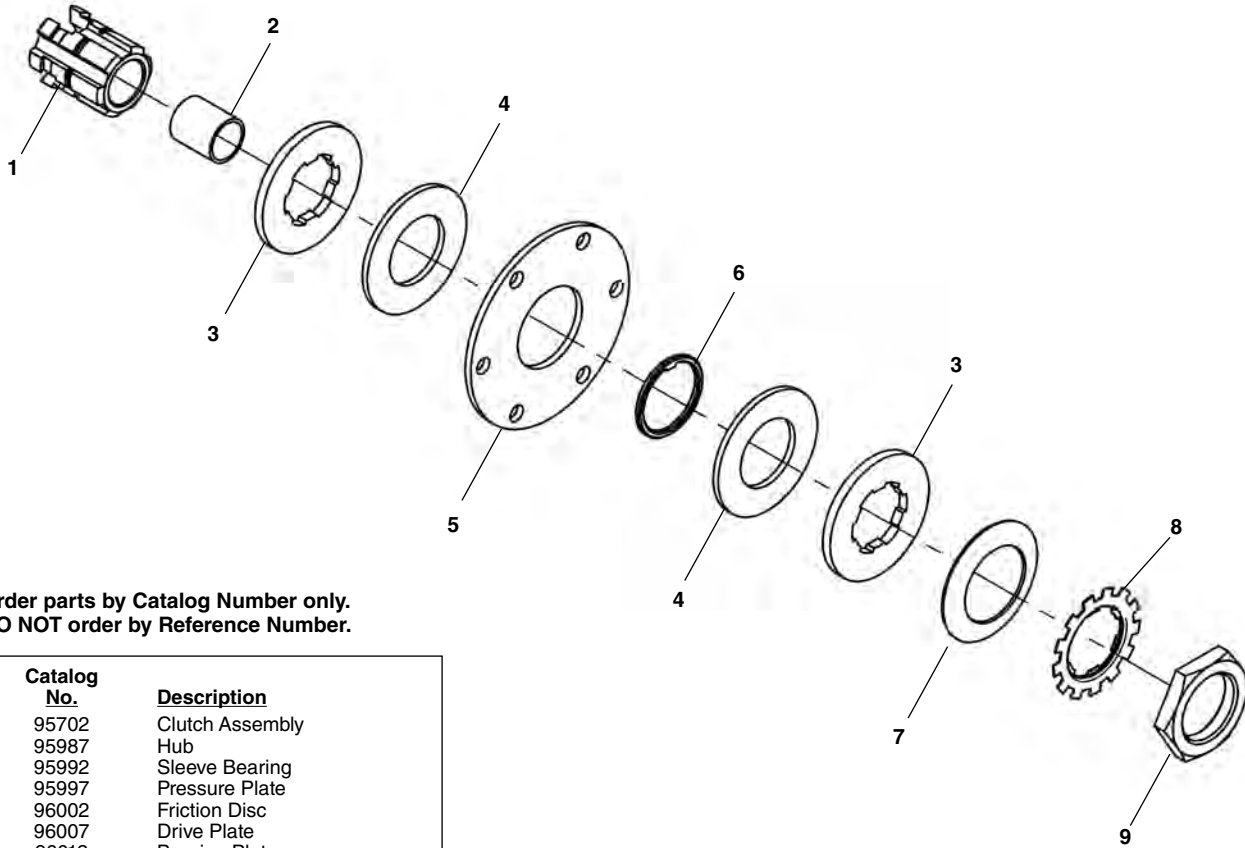
**NOTE: Order parts by Catalog Number only.
DO NOT order by Reference Number.**

Ref. No.	Catalog No.	Description
—	95972	Motor
1	60492	Brush Holder Screw
2	69467	Strain Relief
3	60467	Brush Cap Set
4	60472	Brush Set
5	60482	Brush Holder Set
6	60487	Brush Lead Set
7	60522	Rear Housing
8	60512	Loading Spring
9	95982	Armature w/Bearing

Wiring Diagram



Clutch

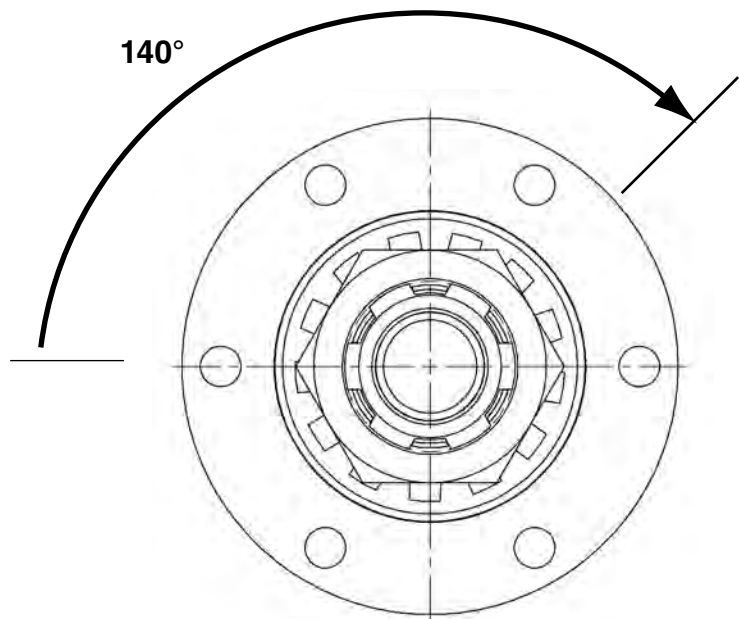


**NOTE: Order parts by Catalog Number only.
DO NOT order by Reference Number.**

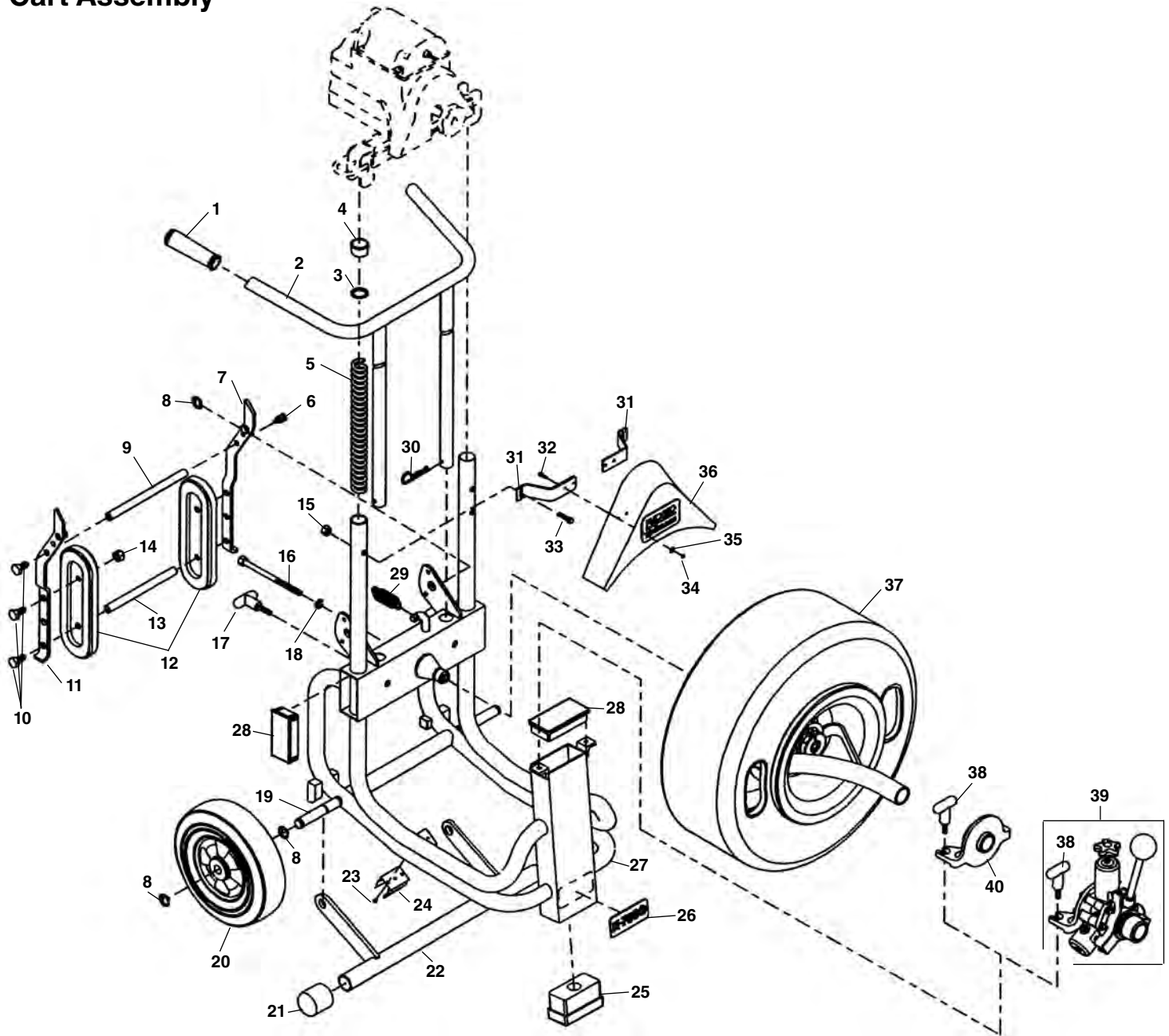
Ref. No.	Catalog No.	Description
—	95702	Clutch Assembly
1	95987	Hub
2	95992	Sleeve Bearing
3	95997	Pressure Plate
4	96002	Friction Disc
5	96007	Drive Plate
6	96012	Bearing Plate
7	96017	Spring Disc
8	96022	Lock Washer
9	96027	Nut

Clutch Tightening Specification

1. Hand tighten clutch nut.
2. Tighten nut 140 degrees past hand tight.



Cart Assembly



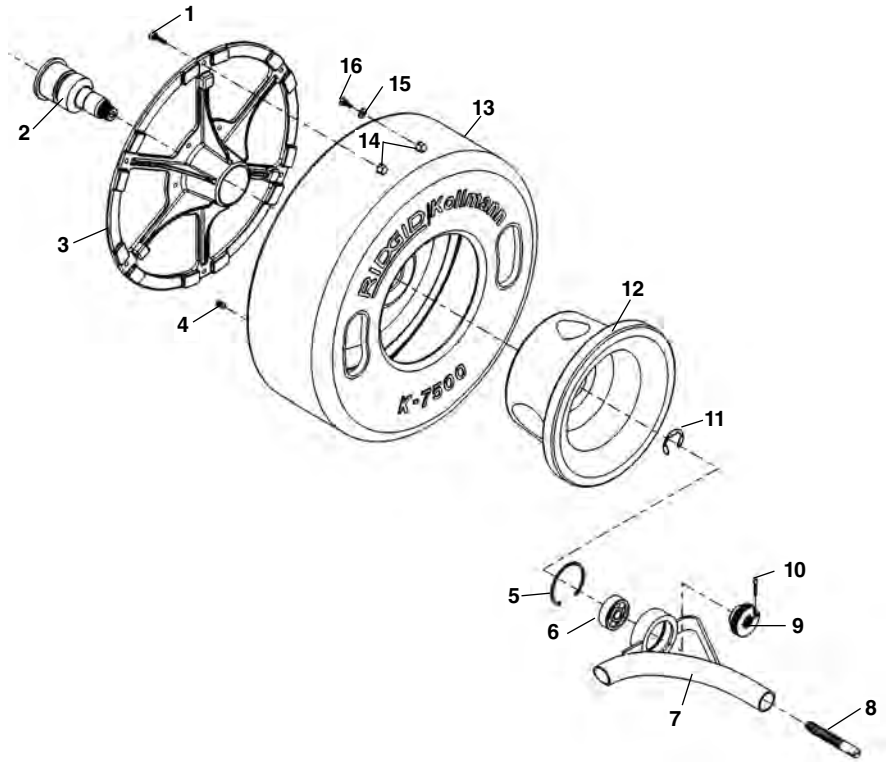
**NOTE: Order parts by Catalog Number only.
DO NOT order by Reference Number.**

Ref. No.	Catalog No.	Description	Ref. No.	Catalog No.	Description	Ref. No.	Catalog No.	Description
1	60827	Hand Grips (2)	15	69010	Nut 1/4" - 20 (2)	29	60667	Spring
2	60587	Handle	16	60617	Bolt 1/2" - 13 x 6"	30	60677	Cotter Hairpin (2)
3	61472	Washer	17	60622	Mounting Knob (2)	31	43967	Guard Bracket (2)
4	60422	Cap Plug (2)	18	43942	Lock Washer 1/2"	32	43962	Screws #10 - 24 x 3/4" (8)
5	65447	Compression Spring	19	60627	Axle	33	43972	Carriage Bolt (2)
6	59510	Plunger Pin	20	23602	Wheel (2)	34	87970	Hex Nut #10 - 24 (4)
7	60592	Right Pivot Arm	21	23607	End Cap (2)	35	61310	Lock Washer #10 (4)
8	60050	Retaining Ring (8)	22	60632	Stabilizer	36	44027	Belt Guard
9	60597	Tie-Spring Bar	23	60637	Self-Tap Screw #6 - 32 (2)	37	61107	Drum Assembly w/5/8" Pigtail
10	60020	Hex Bolt 1/2" - 13 x 1 1/4" (6)	24	60642	Spring Clip	38	60042	Drum Assembly w/3/4" Pigtail
11	60602	Left Pivot Arm	25	60647	Rest Pad	38	60672	Assembly Knob (2)
12	60607	Stairclimber (2)	26	60652	Model Plate	39	60032	AUTOFEED® Assembly
13	60612	Stairclimber Bar	27	60657	Frame	40	61227	Manual Feed Assembly
14	78005	Nut 1/2" - 13 (2)	28	60662	Cap Plug			

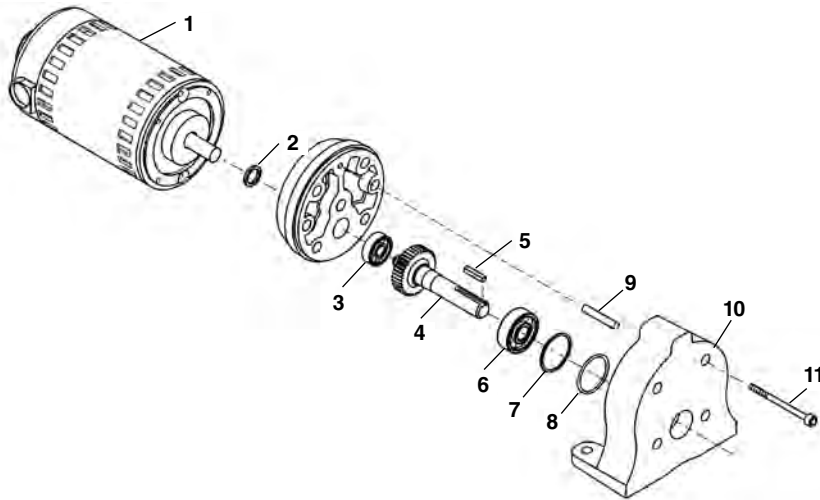
Drum Assembly

**NOTE: Order parts by Catalog Number only.
DO NOT order by Reference Number.**

Ref. No.	Catalog No.	Description
—	61107	Drum Assembly. w ^{5/8"} Pigtail
—	60042	Drum Assembly w ^{3/4"} Pigtail
1	44590	Bolt ^{5/16"} - 18 x 1" (9)
2	60537	Drum Shaft
3	60547	Drum Support
4	60552	Drain Plug
5	60567	Retaining Ring
6	50802	Bearing
7	60557	Guide Tube
8	44117	^{3/4"} Pigtail
	44122	^{5/8"} Pigtail
9	60562	Knurled Knob
10	40910	Screw
11	64042	Retaining Ring
12	60572	Inner Drum
13	60577	Outer Drum
14	27517	Lock Nut ^{5/16"} - 18
15	35055	Washer
16	60515	Bolt ^{5/16"} - 18 x 1 ^{1/4"}

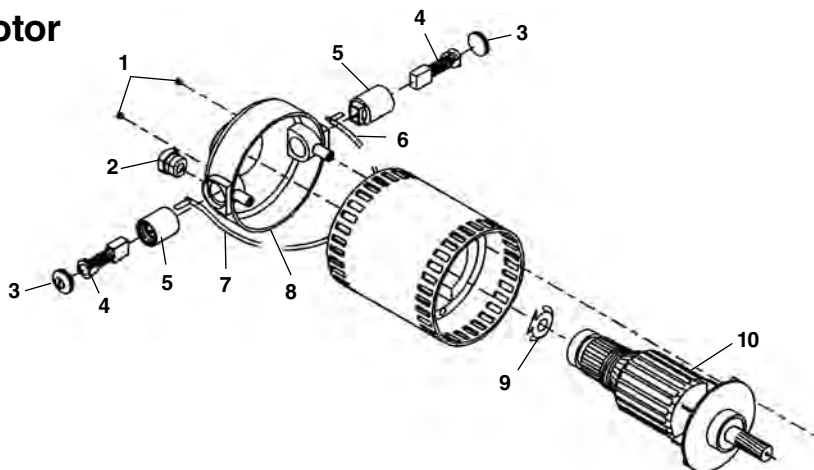


Motor/Gearbox Assembly



Ref. No.	Catalog No.	Description
—	72587	Motor/Gearbox Assembly - 115V
—	72582	Motor/Gearbox Assembly - 230V
1	75622	Motor Only - 115V
	75627	Motor - 230V
2	60442	Seal
3	44760	Bearing
4	60432	Main Drive Shaft w/Key
5	60457	Key
6	44565	Bearing
7	60427	Wave Spring
8	61837	O-Ring
9	60452	Dowel Pin ^{3/16"} x 1 ^{5/8"}
10	60397	Front Gear Housing
11	60402	Screw #10-32 x 2 ^{3/4"}

Motor

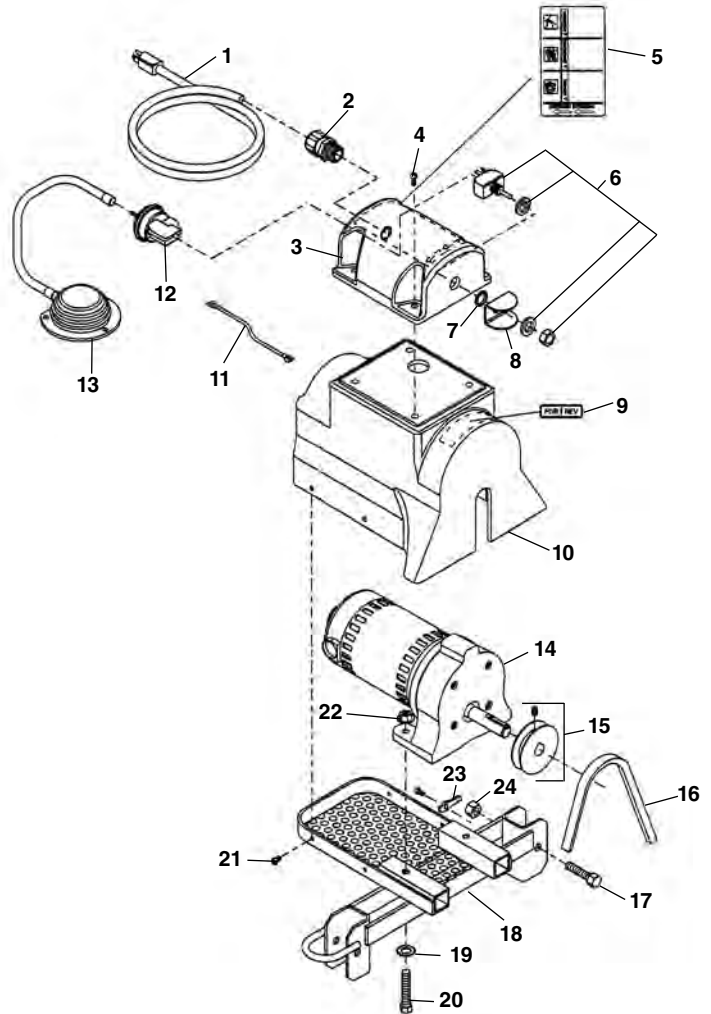


Ref. No.	Catalog No.	Description
—	75622	Motor - 115V
—	75627	Motor - 230V
1	60492	Brush Holder Screw
2	60497	Strain Relief
3	60467	Brush Cap Set
4	72482	Brush Set (115V)
	60472	Brush Set (230V)
5	60482	Brush Holder Set
6	60487	Black Brush Lead
7	60502	Red Brush Lead
8	60522	Rear Housing
9	60512	Loading Spring
10	60517	Armature w/Bearing (115V)
	72492	Armature w/Bearing (230V)

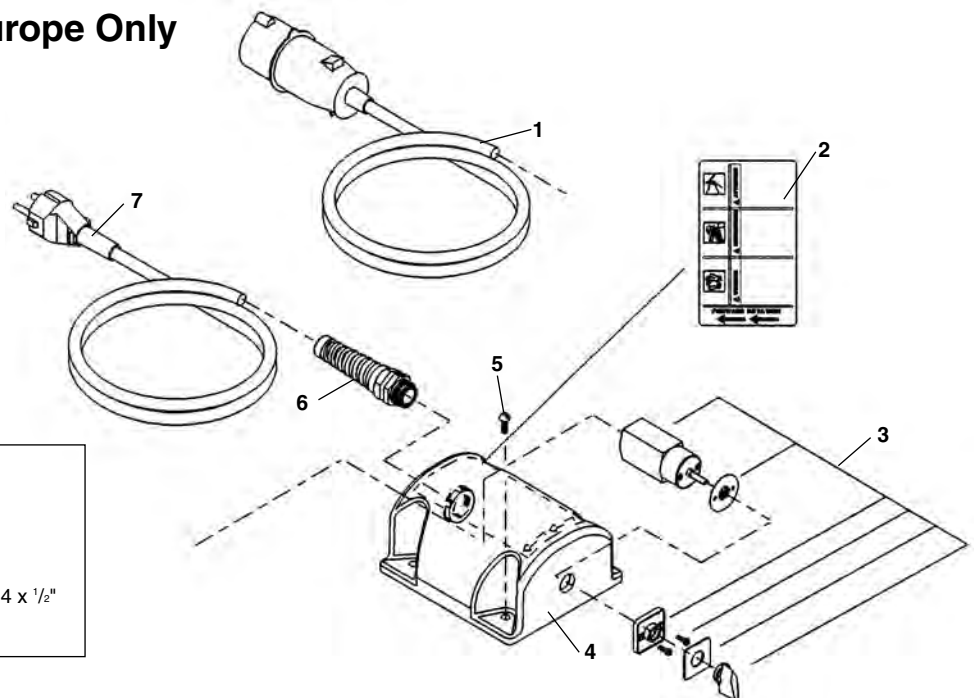
Motor Table

**NOTE: Order parts by Catalog Number only.
DO NOT order by Reference Number.**

Ref. No.	Catalog No.	Description
1	50507	Line Cord w/GFI
2	96265	Strain Relief
3	60387	Switch Cover
4	43962	Screw #10 - 24 x 3/4" (8)
5	60767	Safety Sticker
6	56252	Switch
7	23512	Rubber Washer
8	61490	Switch Guard
9	23687	FOR/REV Label
10	60392	Motor Cover
11	61477	Connecting Wire
12	32992	Air Switch
13	60462	Foot Switch Assembly
14	72587	115V Motor/Gearbox Assembly
	72582	230V Motor/Gearbox Assembly
15	60407	Pulley
16	60412	V-Belt
17	43992	Screw 3/8" - 16 x 2"
18	60417	Motor Table
19	61445	Lock Washer 5/16"
20	43757	Screw 5/16" - 18 x 2 (2)
21	36787	Screw #10 - 24 (5)
22	27517	Lock Nut 5/16" - 18 (18)
23	62857	Bonding Braid
24	79985	Lock Nut 3/8"



Electrical Components Europe Only

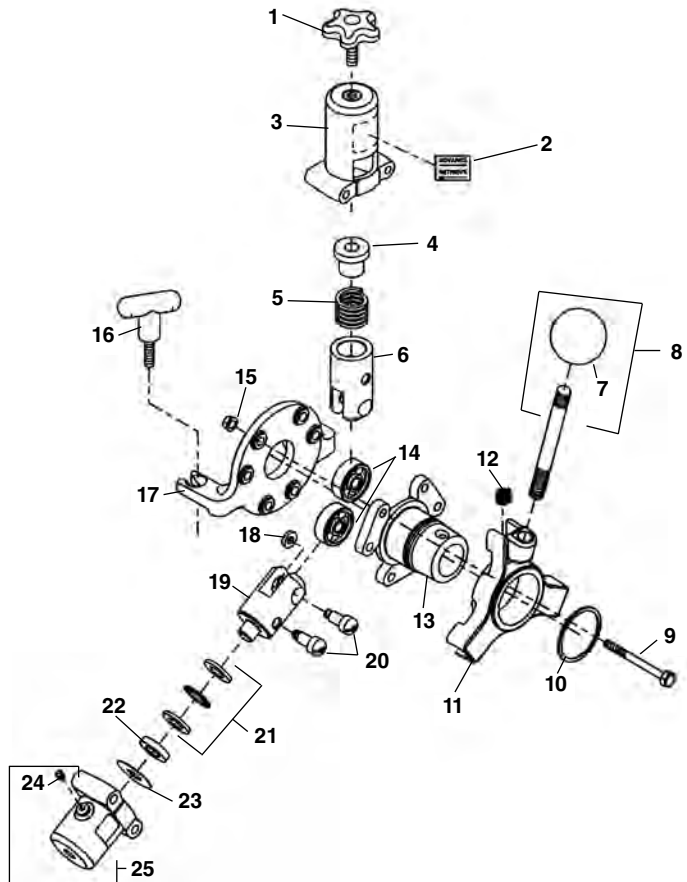


Ref. No.	Catalog No.	Description
1	45022	Line Cord 110V Europe
2	62837	Warning Label Europe
3	54157	Switch Rotary
4	62832	Switch Cap - Rotary
5	43962	Round Hd. Scr. #10 - 24 x 1/2"
6	29788	Strain Relief
7	39562	230V Line Cord

AUTOFEED® Assembly

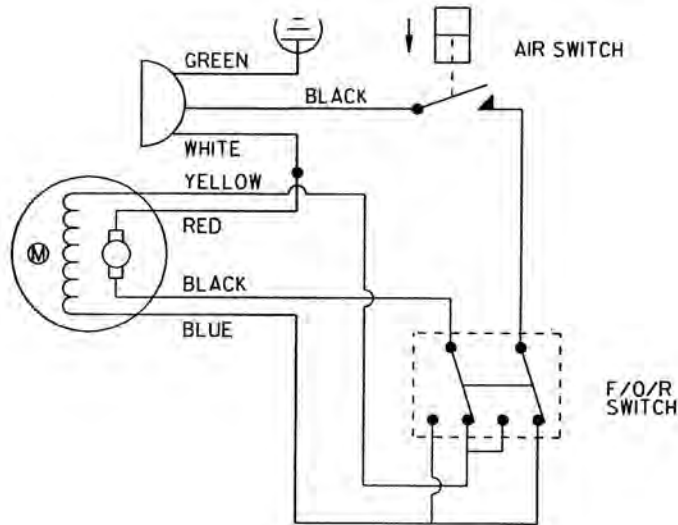
**NOTE: Order parts by Catalog Number only.
DO NOT order by Reference Number.**

Ref. No.	Catalog No.	Description
c	60032	AUTOFEED® Assembly
1	60682	Feed Knob
2	60762	Advance/Retrieve Label
3	60692	Top Roller Housing
4	93475	Ball Holder
5	93375	Spring
6	60707	Movable Roller Holder
7	59585	Knob
8	93630	Clutch Handle Assy. w/Knob
9	60737	Bolt 5/16" - 18 x 3", Hex Head (6)
10	44112	Retaining Ring
11	60742	Actuator
12	60697	Return Spring
13	60747	Front Support Plate
14	60752	Roller Bearing (3)
15	27517	Lock Nut 5/16" - 18 (6)
16	60672	Handle (2)
17	60712	Back Support Plate
18	60717	Bearing Spacer (3)
19	60722	Stationary Roller Housing (2)
20	60732	Actuator Pin (6)
21	68367	Thrust Bearing Assembly (2)
22	68372	Spacer 0.235" (2)
23†	68377	Spacer 0.06" (2)
24	89810	Grease Fitting (4)
25†	60727	Stationary Roller Housing (2)

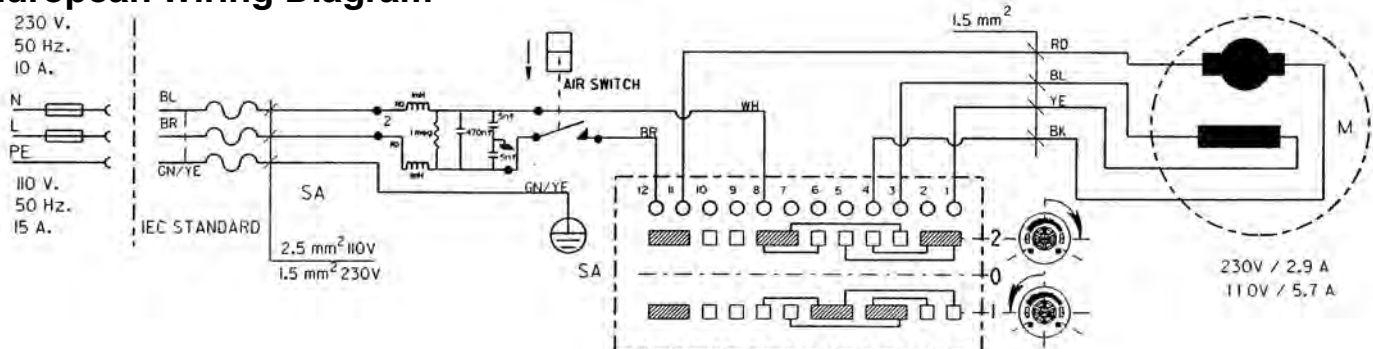


† Service Note: Add the 0.06" spacers (Ref. No. 23) to the stationary roller holders (Ref. No. 25) to use the AUTOFEED® on 5/8" cable.

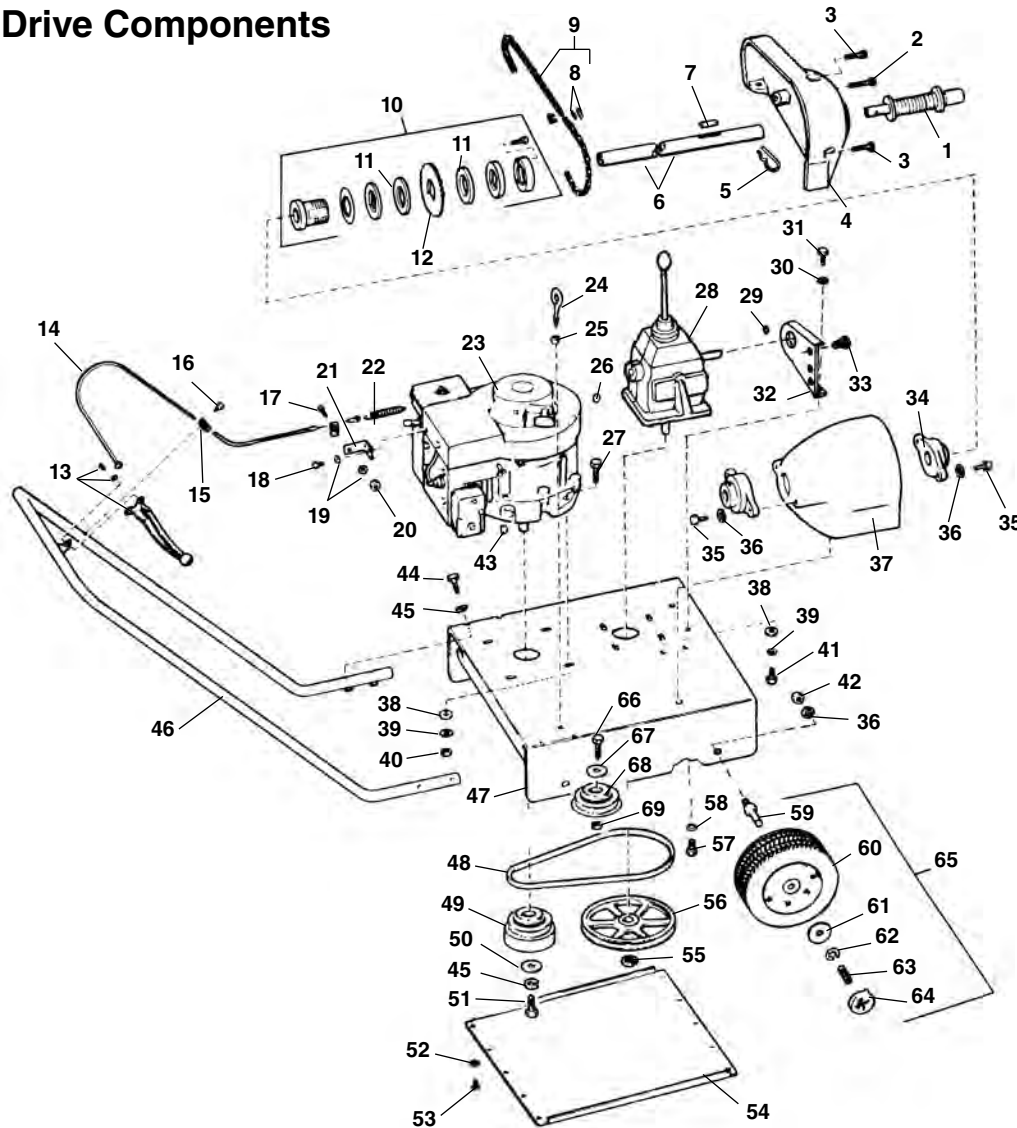
Wiring Diagram



European Wiring Diagram



Cart and Drive Components



NOTE: Order parts by Catalog Number only. DO NOT order by Reference Number.

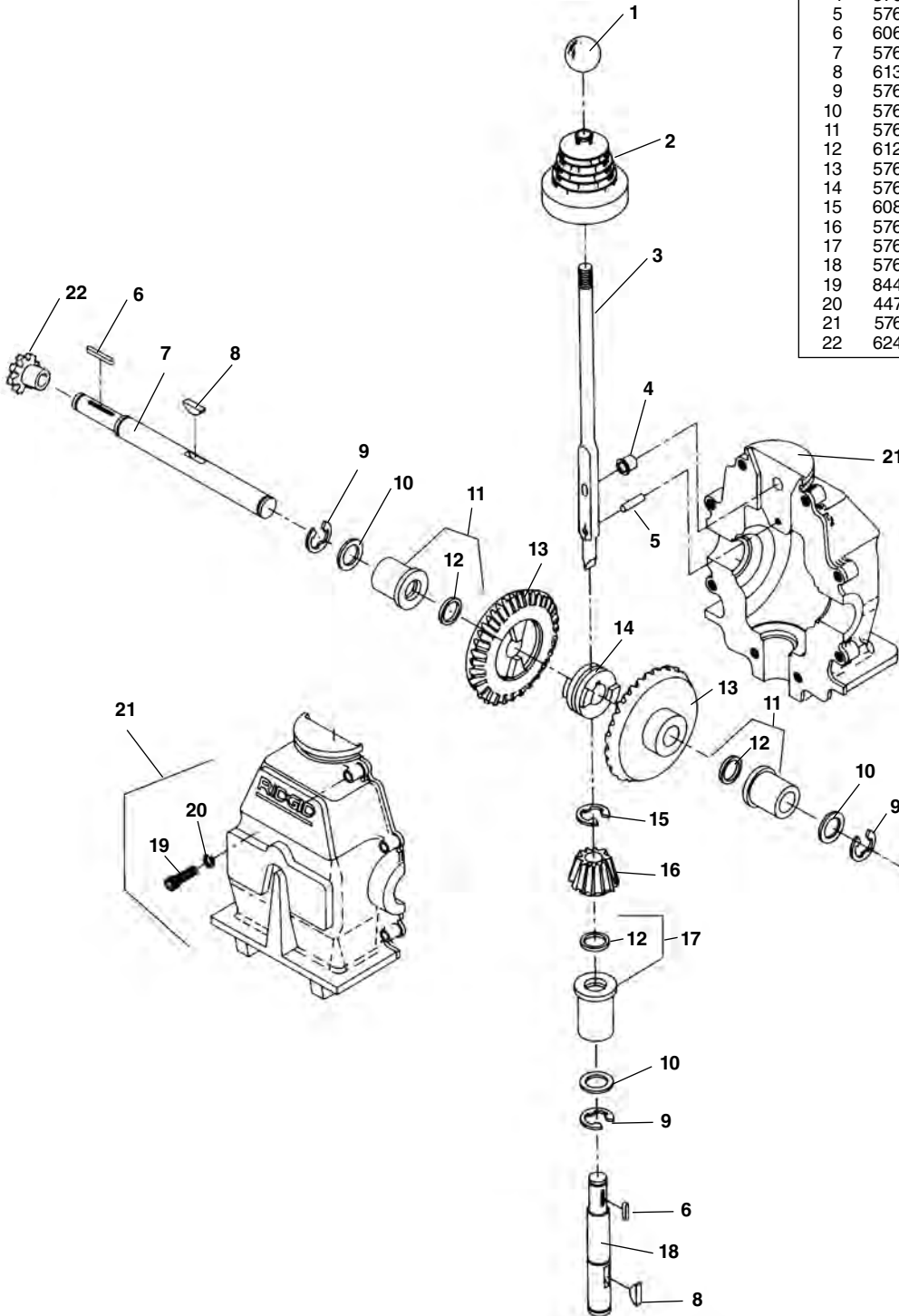
Ref. No.	Catalog No.	Description	Ref. No.	Catalog No.	Description	Ref. No.	Catalog No.	Description
1	62170	B-3542 Rod Holder	26	63190	A-3565 Key	48	66972	"V" Belt
2	59915	A-2192 Screw	27	60515	A-2531 Hex Head Bolt (4)	49	61380	A-3563 Centrifugal Clutch
3	59920	A-2193 Screw (2)	28	57697	Transmission	50	61275	A-3339 Washer
4	62490	D-3544 Guard		61467	Transmission Kit (Incl. Ref. #32, 41, 48)	51	61435	A-3577 Hex Head Bolt
5	61400	A-3567 Drive Pin	29	60860	A-297 Retaining Ring	52	61310	A-3439 Washer (10)
6	62180	B-3548 Drive Shaft	30	61440	A-3591 Lock Washer	53	60000	A-2258 Screw (10)
7	61425	A-3572 Key	31	60265	A-2441 Screw	54	62175	B-3547 Cover
8	60625	A-2643 Master Link	32	62425	Chain Guard	55	42580	A-505 Retaining Ring
9	61405	A-3568 Chain (Incl. Ref. #8)	33	61110	A-3247 Self-Tapping Screw (2)	56	61385	A-3564 Pulley
10	61415	A-3570 Torque Limiter	34	61375	A-3562 Main Bearing w/Set Screw (2)	57	59785	A-210 Bolt (4)
11	61420	A-3571 Fiber Disc (2)	35	60020	A-2269 Bolt (4)	58	61450	A-3593 Lock Washer (4)
12	61410	A-3569 Sprocket	36	60090	A-2292 Lock Washer (8)	59	43837	A-3546 Axle (4)
13	61365	A-3560 Throttle Handle	37	62485	D-3543 Body	60	62420	C-3556 Wheel (4)
14	61370	A-3561 Throttle Cable	38	60060	A-2284 Washer (8)	61	60995	A-3039 Washer (4)
15	61430	A-3574 Clamp	39	61445	A-3592 Lock Washer (8)	62	60050	A-2281 Retaining Ring (4)
16	61500	A-427 Self-Tapping Screw	40	60230	A-2395 Nut (4)	63	61000	A-3041 Spring (4)
17	79965	E-1667 Screw	41	61462	A-3251 Hex Head Bolt (4)	64	59700	A-1881 Hub Cab (4)
18	—	*Bolt	42	61455	A-3612 Nut (4)	65	62430	C-3611 Wheel Assembly (Incl. Ref. #59-64)
19	61310	A-3439 Washer (2)	43	61395	A-3566 Key	—	84690	A-4558 Torque Testing Tool (not shown)
20	60200	A-2382 Nut	44	76870	A-3672 Screw (4)	66	23617	3/8" - 13 x 2" Carriage Bolt
21	61350	A-3554 Bracket	45	60085	A-2290 Lock Washer (5)	67	59970	3/8" Flat Washer
22	59545	A-132 Spring	46	62415	C-3552 Handle Assembly	68	66962	Idler Pulley
23	66977	Engine/6HP	47	62495	D-3545 Base	69	43947	3/8" Lock Nut
24	59225	A-899 Coupling Pin Key						
25	61460	A-3613 Grommet						

†Transmission kit includes necessary hardware to convert to new style transmission. *Standard hardware item may be purchased locally.

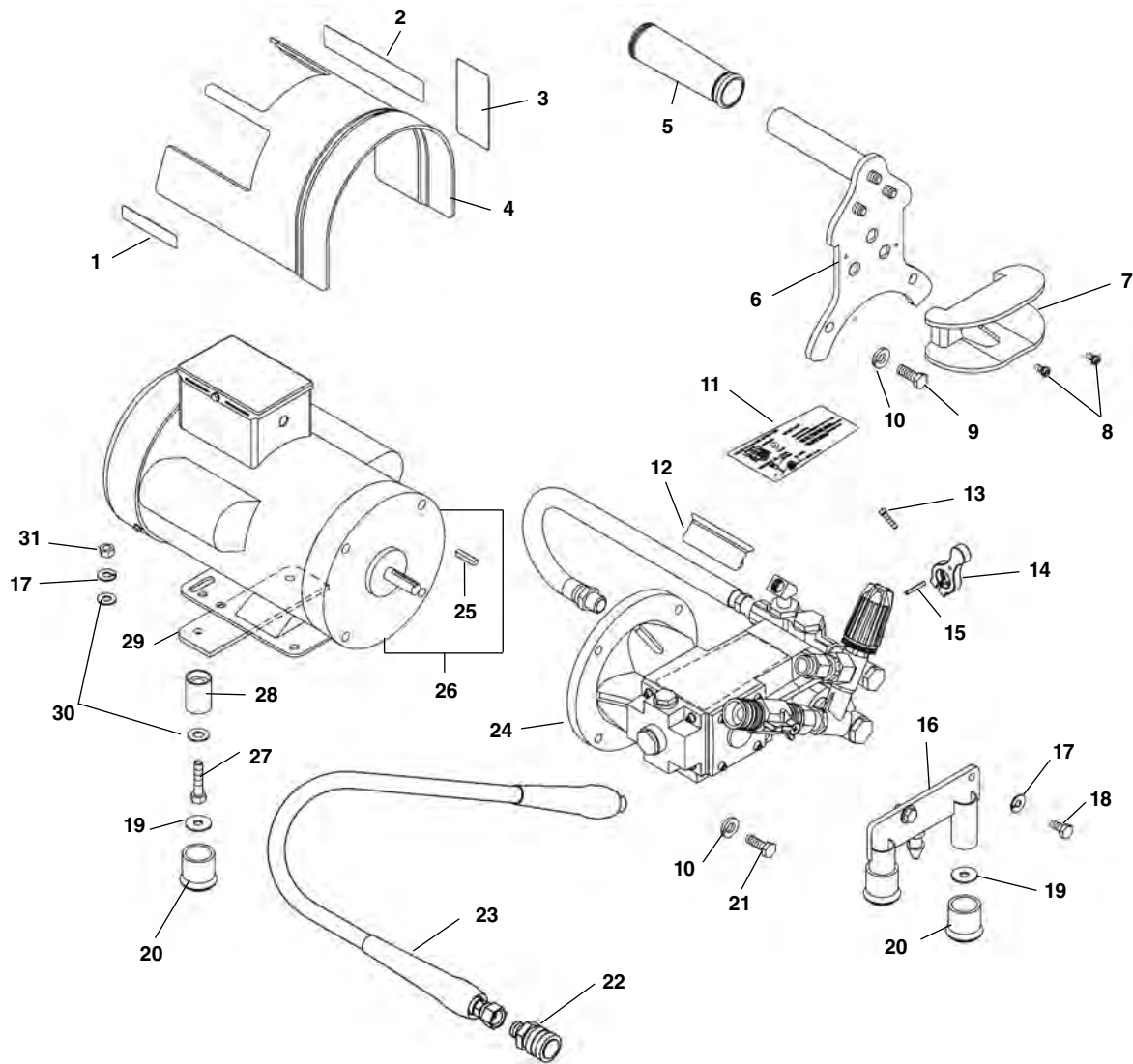
Transmission

**NOTE: Order parts by Catalog Number only.
DO NOT order by Reference Number.**

Ref. No.	Catalog No.	Description
—	57697	Transmission
1	59585	Knob
2	57617	Shift Cover
3	57682	Shift Lever
4	57667	Plunger
5	57672	Pin
6	60680	504 Pin
7	57632	Output Shaft
8	61390	Key (2)
9	57662	Retaining Ring (3)
10	57657	Washer (3)
11	57647	Bushing w/O-Ring (2)
12	61277	O-Ring (3)
13	57622	Bevel Gear (2)
14	57642	Clutch Collar
15	60860	Retaining Ring
16	57627	Pinion Gear
17	57652	Bushing w/O-Ring
18	57637	Input Shaft
19	84425	1/4" - "20 x 1.25" Soc. Hd. Screw (8)
20	44740	1/4" Lock Washer (8)
21	57612	Housing Assembly (Includes 19, 20)
22	62427	8T Sprocket



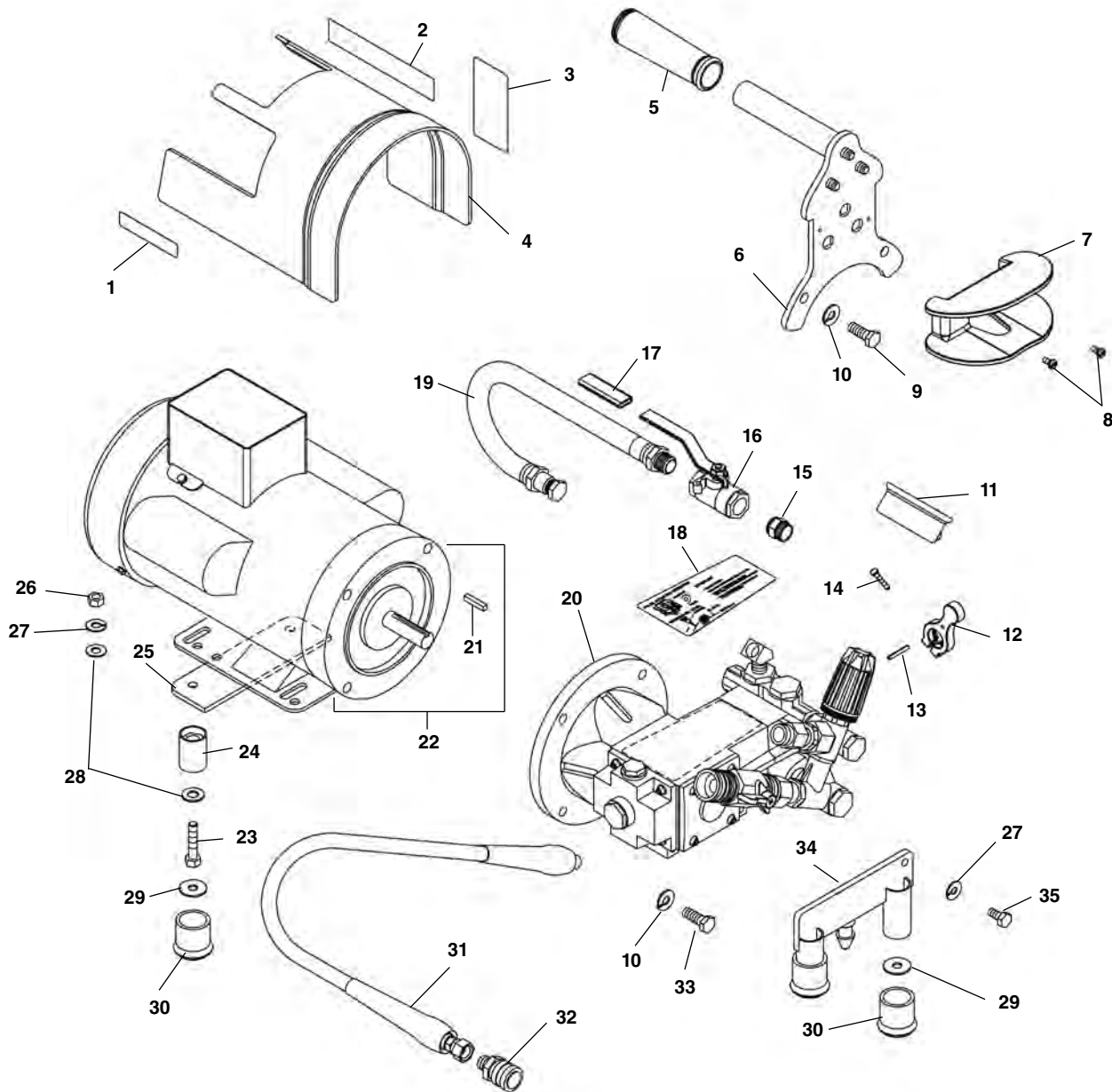
Main Components - Single Pulse Model



**NOTE: Order parts by Catalog Number only.
DO NOT order by Reference Number.**

Ref. No.	Catalog No.	Description	Ref. No.	Catalog No.	Description
1	63972	Decal, Potable Water	17	60080	Lock Washer, 5/16" (2)
2	63962	Decal, Model Number	18	61130	Hex Screw, 5/16" - 18 x 3/4" (2)
3	48232	Decal, Warning	19	60847	Flat Washer, 1/2" (4)
4	63917	Motor Shroud	20	37962	Rubber Foot (4)
5	60827	Hand Grip	21	85915	Hex Screw, 3/8" - 16 x 3/4" (2)
6	63932	Handle	22	48117	Female Quick Connect, 1/4" NPT Male
7	63937	Cord Wrap	23	63927	Output Hose
8	16417	Screw, #10 - 32 x 3/8" Pan Head (2)	24	63897	Pump Assembly Complete
9	60380	Hex Screw, 3/8" - 16 x 1 1/4" (2)	25	47677	Key, 1/8" x 3/16" x 1"
10	60085	Lock Washer, 3/8" (4)	26	63892	Motor, 115V, 1.5 HP
11	63967	Decal, Pulse Instruction	27	43847	Hex Screw, 5/16" - 18 x 1 1/2" (2)
12	63902	Pressure Gauge	28	63947	Rear Foot
13	46375	Socket Head Screw, #6 - 32 x 5/8"	29	63952	Rear Bracket
14	63907	Actuator Handle	30	60060	Flat Washer, 5/16" (2)
15	41500	Spring Pin	31	60230	Hex Nut, 5/16" - 18 (2)
16	63942	Front Foot			

Main Components - Dual Pulse Model



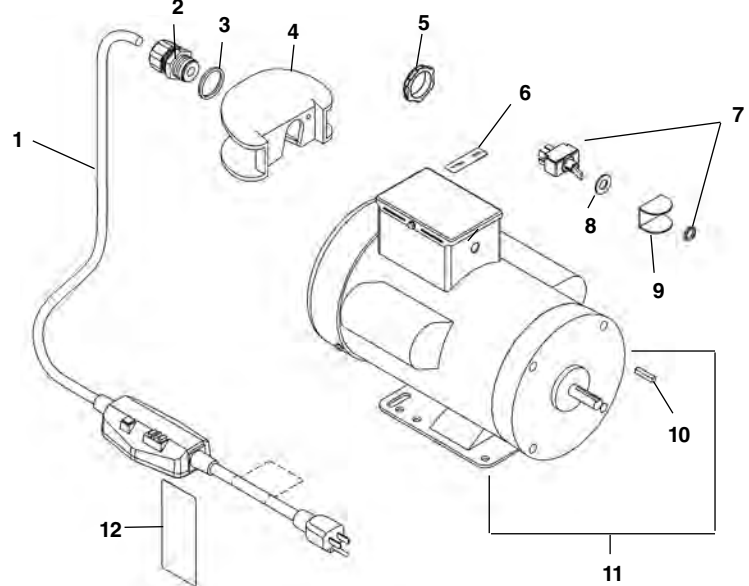
**NOTE: Order parts by Catalog Number only.
DO NOT order by Reference Number.**

Ref. No.	Catalog No.	Description	Ref. No.	Catalog No.	Description
1	63972	Decal, Potable Water	19	48132	Dampener Hose, 18"
2	63962	Decal, Model Number	20	63897	Pump Assembly Complete
3	48232	Decal, Warning	21	47677	Key, 1/8" x 3/16" x 1"
4	63917	Motor Shroud	22	63892	Motor, 115V, 1.5 HP
5	60827	Hand Grip	23	43847	Hex Screw, 5/16" - 18 x 1 1/2" (2)
6	63932	Handle	24	63947	Rear Foot
7	63937	Cord Wrap	25	63952	Rear Bracket
8	16417	Screw, #10 - 32 x 3/8" Pan Head (2)	26	60230	Hex Nut, 5/16" - 18 (2)
9	60380	Hex Screw, 3/8" - 16 x 1 1/4" (2)	27	60080	Lock Washer, 5/16" (2)
10	60085	Lock Washer, 3/8" (4)	28	60060	Flat Washer, 5/16" (2)
11	63902	Pressure Gauge	29	60847	Flat Washer, 1/2" (4)
12	63907	Actuator Handle	30	37962	Rubber Foot (4)
13	41500	Spring Pin	31	63927	Output Hose
14	46375	Socket Head Screw, #6 - 32 x 5/8"	32	48117	Female Quick Connect, 1/4" NPT Male
15	63912	Hex Nipple, 3/8" NPT	33	85915	Hex Screw, 3/8" - 16 x 3/4" (2)
16	48127	Pulse Control Valve	34	63942	Front Foot
17	64272	Pulse Valve Cover	35	61130	Hex Screw, 5/16" - 18 x 3/4" (2)
18	63967	Decal, Pulse Instruction			

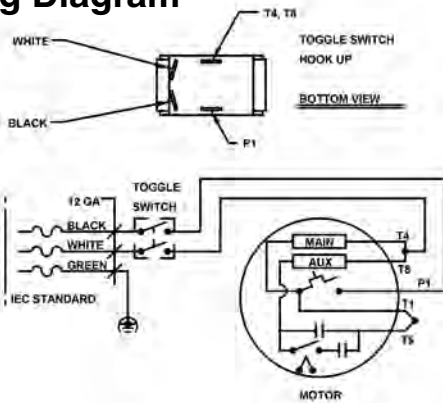
Electrical Components

NOTE: Order parts by Catalog Number Only.
DO NOT order by Reference Number.

Ref. No.	Catalog No.	Description
1	63922	Power Cord with GFCI
2	36732	Strain Relief
3	64037	Flat Washer
4	63937	Cord Wrap
5	48052	Strain Relief Nut
6	48087	Decal, ON/OFF
7	48057	Toggle Switch w/Fasteners
8	23512	Rubber Washer
9	61490	Switch Guard
10	47677	Key, 1/8" x 3/16" x 1"
11	63892	Motor, 115V, 1.5 HP
12	63977	Warning Tag, GFCI

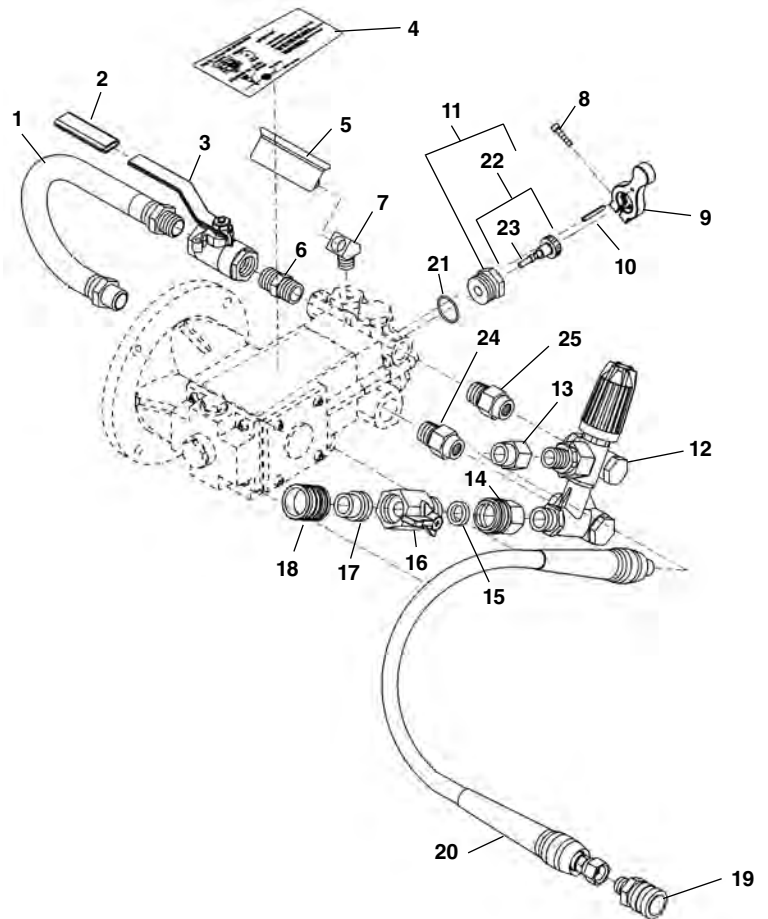


Wiring Diagram

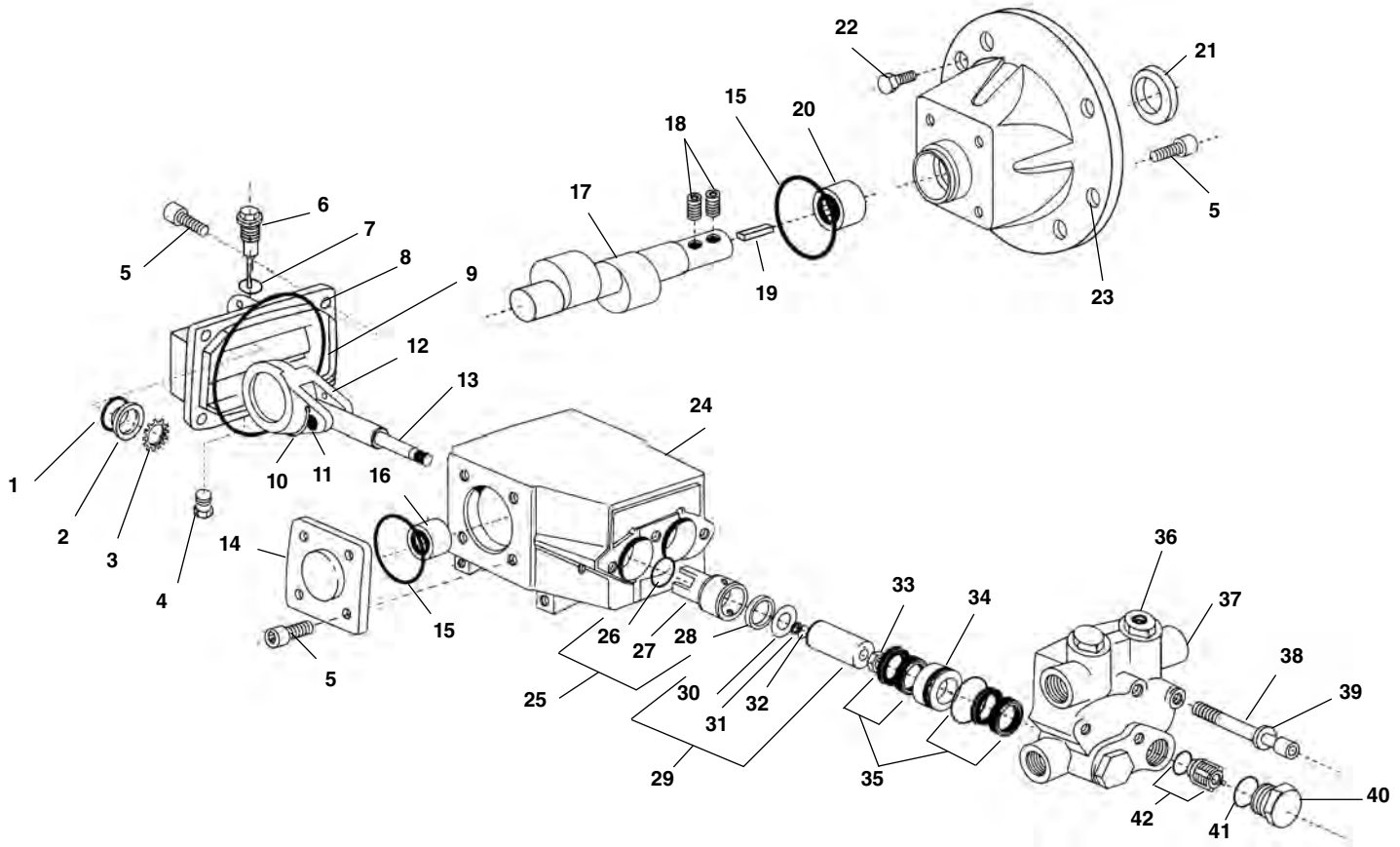


Flow Control System

Ref. No.	Catalog No.	Description
1	48132	Dampener Hose, 18"
2	64272	Pulse Valve Cover
3	48127	Pulse Control Valve
4	63967	Decal, Pulse Instruction
5	63902	Pressure Gauge
6	63912	Hex Nipple, 3/8" NPT
7	48107	Street El, 45 Degree
8	46375	Soc Hd Screw, #6 - 32 x 3/8"
9	63907	Actuator Handle
10	41500	Spring Pin
11	65192	Pulse Assembly
12	65202	Unloader Valve Assembly
13	65197	Reducer Coupling
14	65207	Hose Adapter
15	48287	Filter Washer
16	49582	Water Shut Off
17	48202	Hose Coupler Nipple
18	48197	Hose Coupler
19	48117	Female Quick Connect, 1/4" NPT Male
20	63927	Output Hose
21	65392	O-Ring
22	85872	Adjusting Screw w/Seals
23	85882	Seals for Adjusting Screw
24	70427	Inlet Adapter, 1/2" x 1/2"
25	70432	Outlet Adapter, 3/8" x 3/8"
	65102	Wash Wand Nozzle (Not Shown)
	70897	Chemical Injector (Not Shown)



Pump Assembly - Type 2



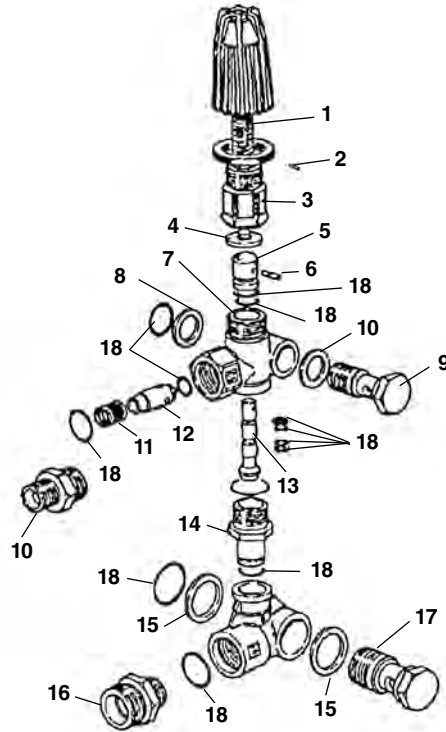
**NOTE: Order parts by Catalog Number Only.
DO NOT order by Reference Number.**

Ref. No.	Catalog No.	Description	Ref. No.	Catalog No.	Description	Ref. No.	Catalog No.	Description
1	88852	O-Ring	15	47707	O-Ring (2)	29	88427	Plunger Kit, (2)
2	88847	Sight Glass	16	88822	Needle Bearing	30	47762	Slinger Ring (2)
3	88857	Retainer	17	88877	Crankshaft	31	47712	Backup Seal (2)
4	47782	Drain Plug, 1/4" NPT	18	47752	Set Screw, 1/4" - 28 x 1/4" (2)	32	47697	O-Ring (2)
5	40910	Soc. Hd. Cap Screw, 1/4" - 20 x 3/4" (12)	19	47677	Key, 1/8" x 3/16" x 1"	33	88867	Retaining Nut (2)
6	47787	Dip Stick	20	47727	Needle Bearing	34	88862	Cup Retainer, (2)
7	88452	O-Ring	21	47732	Seal	35	88432	Plunger Seal Kit
8	88842	Crankcase Cover	22	75350	Hex Bolt, 3/8" - 16 x 1 1/4" (4)	36	89017	Valve Cap, Ported, 1/4" NPT
9	88447	O-Ring	23	47667	C-Flange End Cover	37	88792	Head
10	88837	Spring Retainer (2)	24	88812	Crankcase	38	47747	Socket Head Cap Screw (4)
11	88827	Wrist Pin (2)	25	88437	Oil Seal Repair Kit	39	88872	Lock Washer (4)
12	88832	Connecting Rod (2)	26	88442	O-Ring (2)	40	88412	Valve Cap (2)
13	88807	Plunger Rod (2)	27	88797	Insert (2)	41	88417	O-Ring (4)
14	88817	End Plate	28	88802	Oil Seal (2)	42	88422	Valve Kit

Unloader Valve - Early Style (Red Knob)

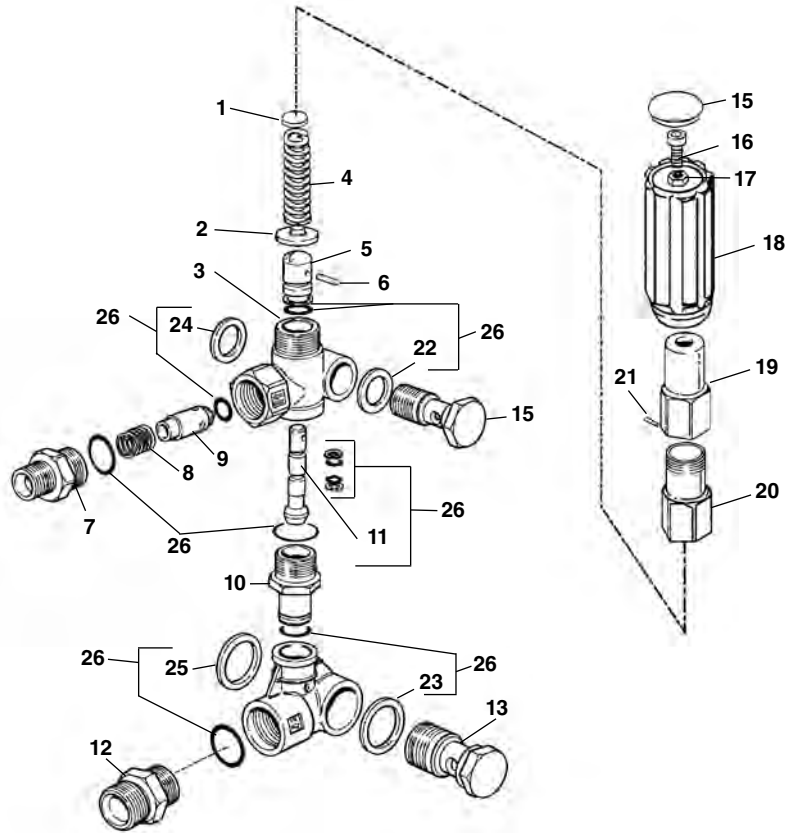
**NOTE: Order parts by Catalog Number Only.
DO NOT order by Reference Number.**

Ref. No.	Catalog No.	Description
1	64282	Spring
2	64292	Set Screw
3	64297	Spring Guide
4	64302	Spring Button
5	64307	Poppet
6	64312	Pin
7	64317	Valve Body
8	64322	Gasket (2)
9	64327	Outlet Port Adapter
10	64332	Poppet Retainer
11	64337	Spring
12	64342	Poppet
13	64347	Plunger
14	64352	By-Pass Spring
15	64357	Gasket
16	64362	Inlet Adapter
17	64372	Port Adapter
18	64377	Seal Kit

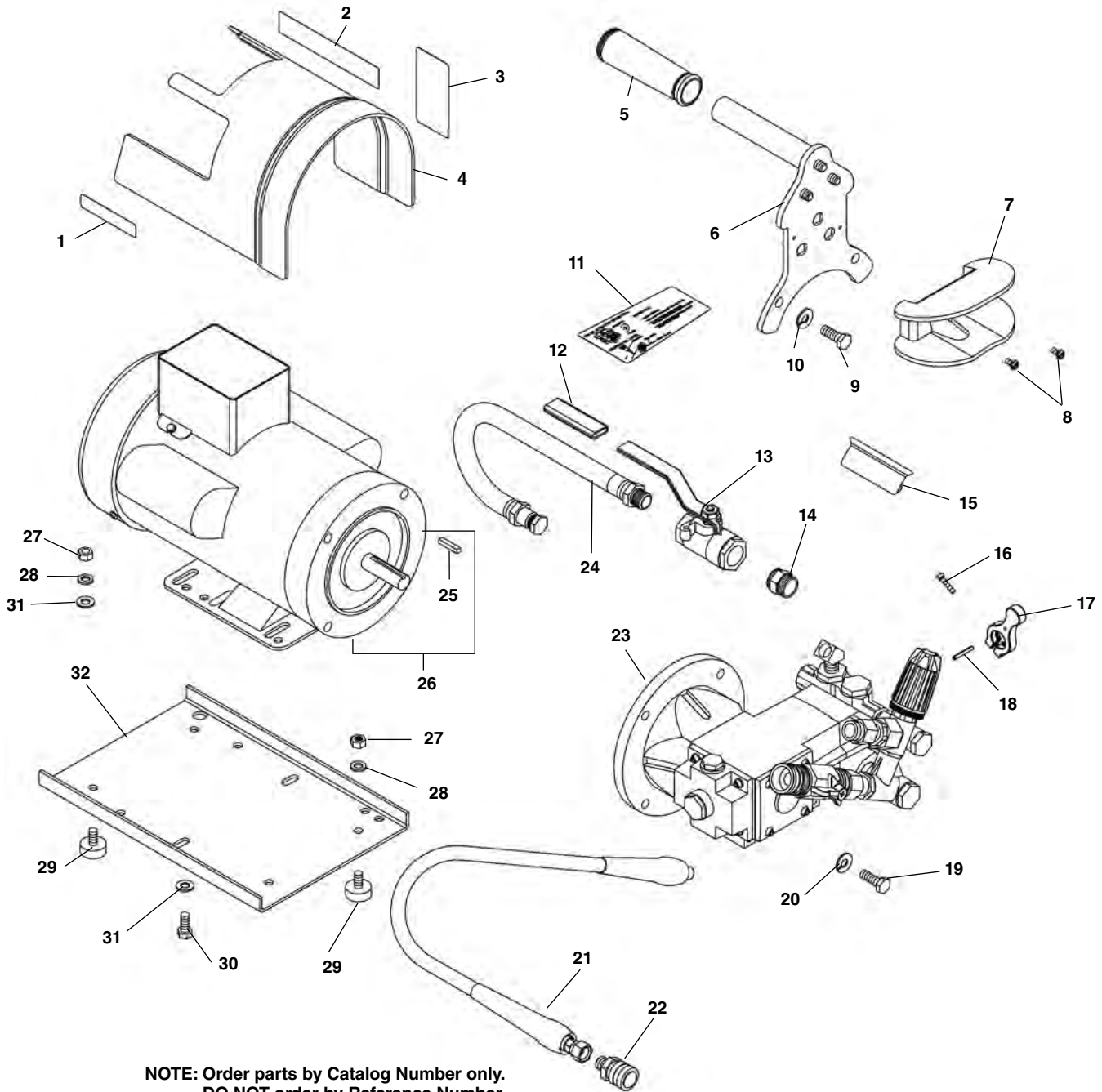


Unloader Valve - (Black Knob)

Ref. No.	Catalog No.	Description
—	65202	Unloader Valve Complete
1	85902	Plate
2	64302	Spring Button
3	64317	Body
4	85897	Spring
5	64307	Poppet
6	64312	Pin
7	64332	Outlet Poppet Retainer
8	64337	Spring
9	64342	Poppet
10	64352	By-Pass Seat
11	64347	Plunger
12	64362	Inlet Adapter
13	64372	Inlet Port Adapter
14	64327	Outlet Port Adapter
15	85892	Plug Cap
16	32270	Soc. Hd. Cap Screw 5/16" - 18 -3/4"
17	61115	Hex Nut 5/16" x 18
18	85887	Control Knob (Black)
19	85907	Cap
20	85917	Spring Guide
21	85912	Pin
22	64322	Seal Washer
23	64357	Seal Washer
24	85922	Seal Washer
25	85927	Seal Washer
26	64377	Seal Kit



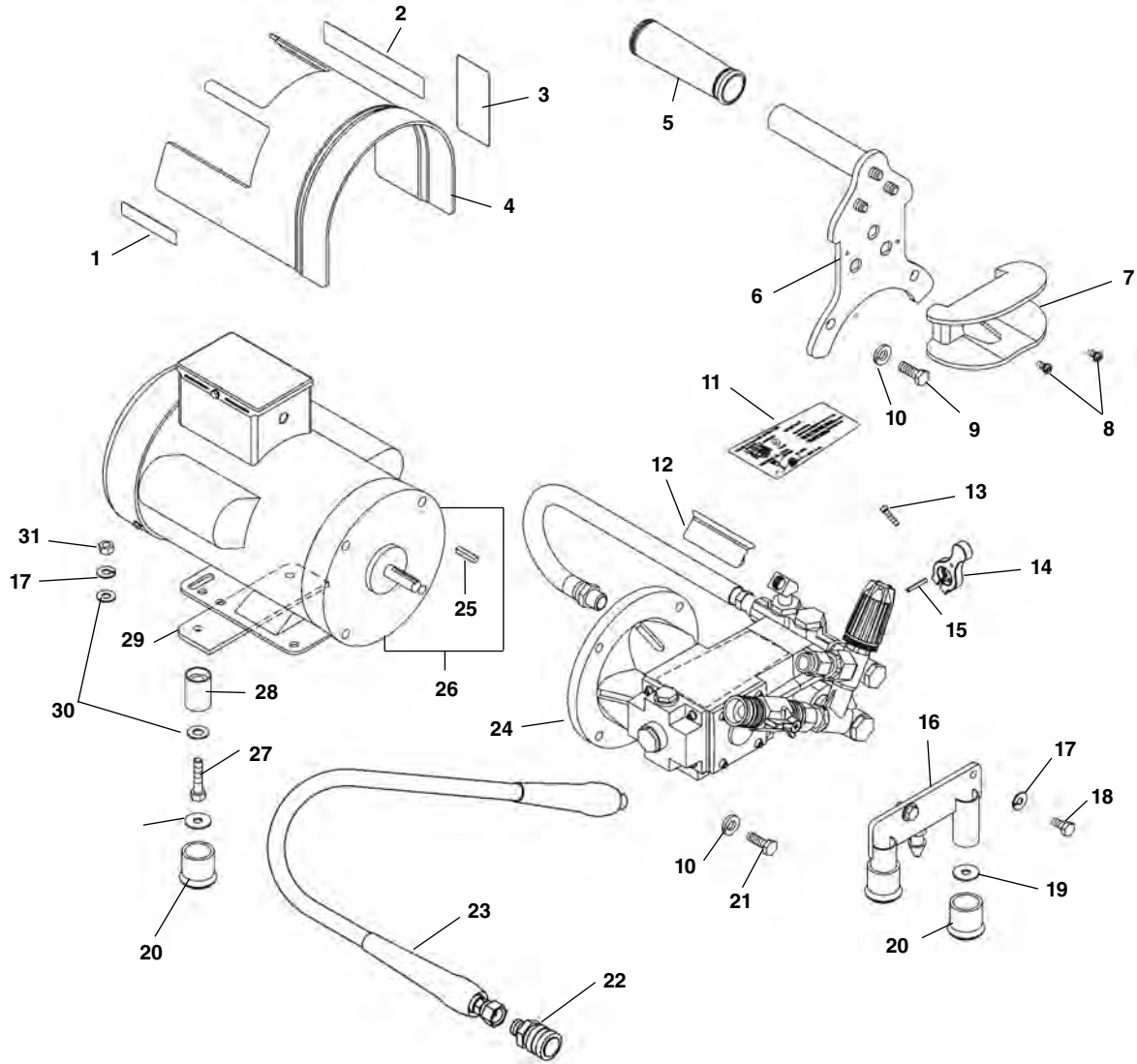
Main Components - 120V 60Hz



**NOTE: Order parts by Catalog Number only.
DO NOT order by Reference Number.**

Ref. No.	Catalog No.	Description	Ref. No.	Catalog No.	Description
1	63972	Decal, Potable Water	17	63907	Actuator Handle
2	65047	Decal, Model Number	18	41500	Spring Pin
3	48232	Decal, Warning	19	60380	Screw, 3/8" - 16 x 1 1/4" (2)
4	63917	Motor Shroud	20	60085	Lock Washer, 3/8" (4)
5	60827	Hand Grip	21	65212	Output Hose
6	63932	Handle	22	48117	Female Quick Connect, 1/4" NPT Male
7	63937	Cord Wrap	23	86122	Pump Assembly Complete
8	16417	Pan Head Screw, #10 - 32 x 3/8" (2)	24	48132	Dampener Hose, 18"
9	60380	Hex Screw, 3/8" - 16 x 1 1/4" (2)	25	47677	Square Key, 1/8" x 3/16" x 1"
10	60085	Lock Washer, 3/8" (4)	26	65042	Motor, 120V 60Hz 2 HP
11	63967	Decal, Pulse Instruction	27	60230	Hex Nut, 5/16" - 18 (6)
12	64272	Pulse Valve Cover	28	60080	Lock Washer, 3/8" (6)
13	48127	Pulse Control Valve	29	48187	Rubber Foot (4)
14	63912	Hex Nipple, 3/8" NPT	30	61130	Screw, 5/16" - 18 x 3/4" (2)
15	63957	Pressure Gauge	31	60060	Flat Washer, 7/16" (6)
16	46375	Socket Head Screw, #6 - 32 x 5/8"	32	48182	Base Plate

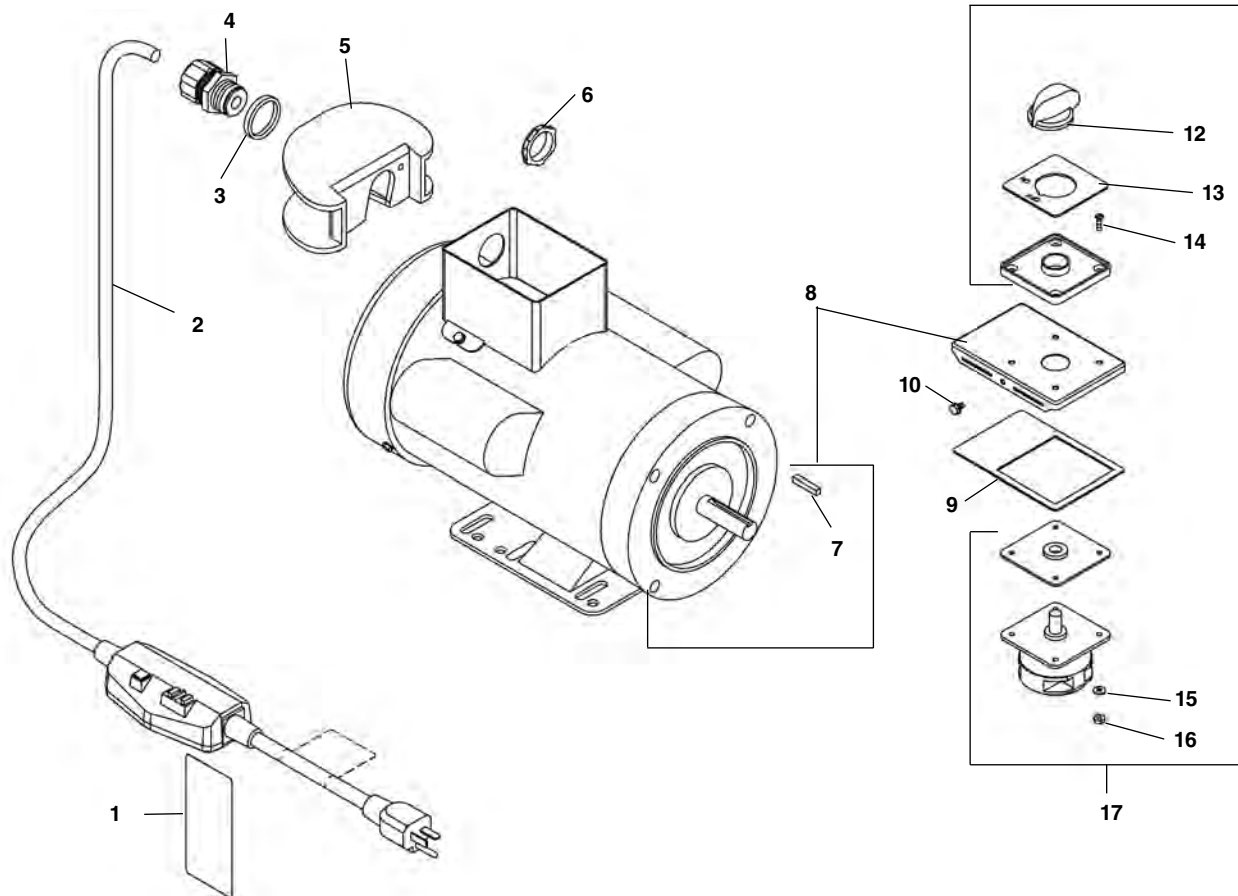
Main Components - 220V 50Hz Export



**NOTE: Order parts by Catalog Number only.
DO NOT order by Reference Number.**

Ref. No.	Catalog No.	Description	Ref. No.	Catalog No.	Description
1	63972	Decal, Potable Water	17	60080	Lock Washer, 5/16" (2)
2	63962	Decal, Model Number	18	61130	Hex Screw, 5/16" - 18 x 3/4" (2)
3	48232	Decal, Warning	19	60847	Flat Washer, 1/2" (4)
4	63917	Motor Shroud	20	37962	Rubber Foot (4)
5	60827	Hand Grip	21	85915	Hex Screw, 3/8" - 16 x 3/4" (2)
6	63932	Handle	22	48117	Female Quick Connect, 1/4" NPT Male
7	63937	Cord Wrap	23	65212	Output Hose
8	16417	Screw, #10 - 32 x 3/8" Pan Head (2)	24	86122	Pump Assembly Complete
9	60380	Hex Screw, 3/8" - 16 x 1 1/4" (2)	25	47677	Key, 1/8" x 3/16" x 1"
10	60085	Lock Washer, 3/8" (4)	26	94452	Motor, 220V 50Hz 2HP
11	63967	Decal, Pulse Instruction	27	43847	Hex Screw, 5/16" - 18 x 1 1/2" (2)
12	63957	Pressure Gauge	28	63947	Rear Foot
13	46375	Socket Head Screw, #6 - 32 x 5/8"	29	63952	Rear Bracket
14	63907	Actuator Handle	30	60060	Flat Washer, 5/16" (2)
15	41500	Spring Pin	31	60230	Hex Nut, 5/16" - 18 (2)
16	63942	Front Foot			

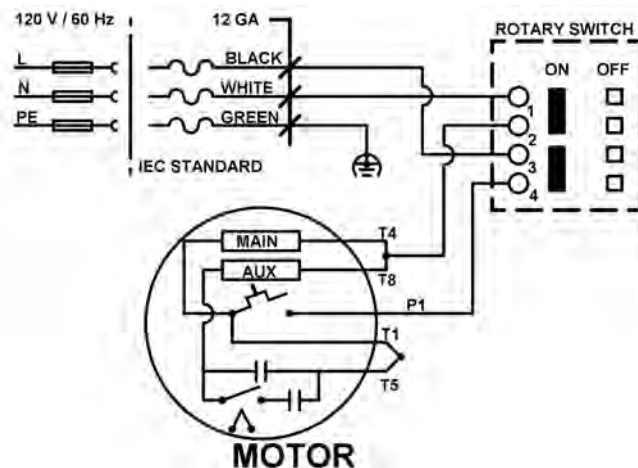
Electrical 120V 60 Hz



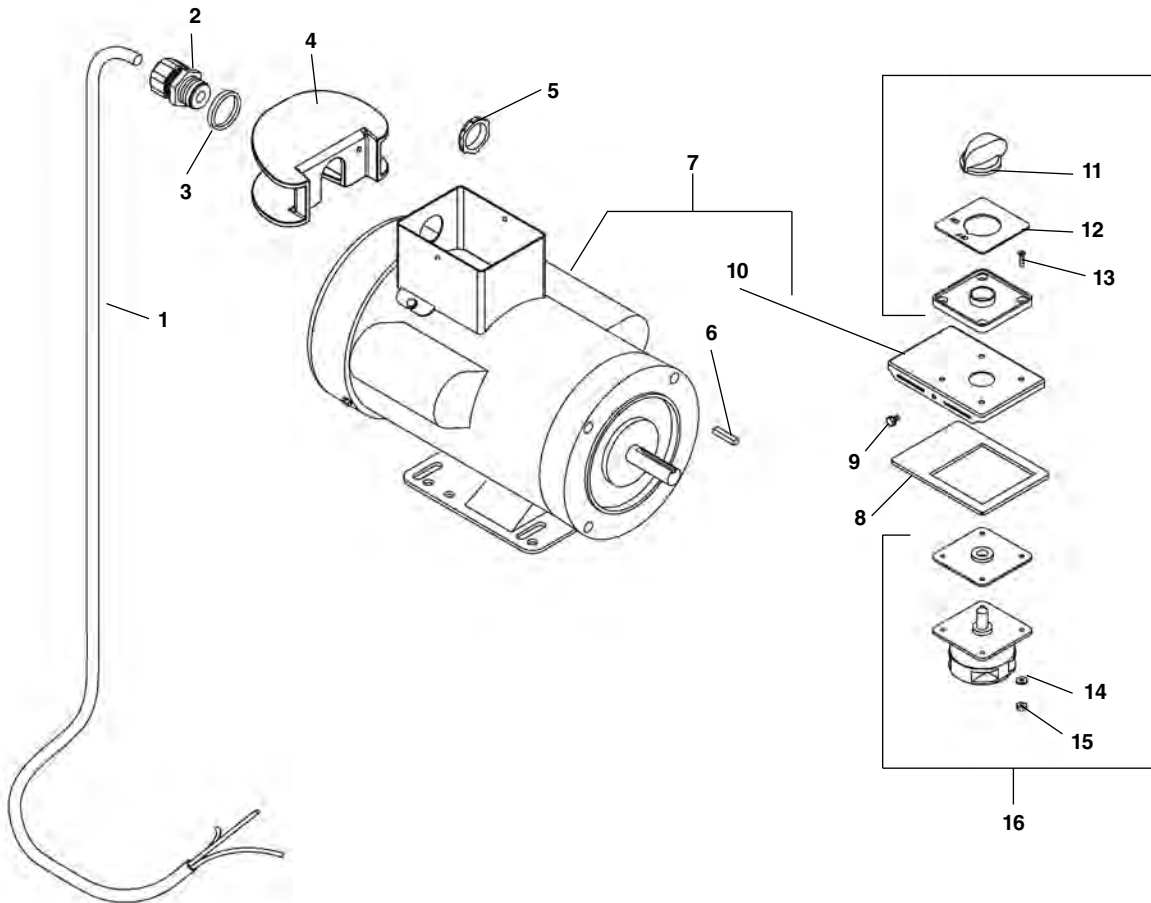
**NOTE: Order parts by Catalog Number only.
DO NOT order by Reference Number.**

Ref. No.	Catalog No.	Description	Ref. No.	Catalog No.	Description
1	63977	Warning Tag, GFCI	10	65072	Screw
2	65037	Power Cord with GFCI	11	65077	Conduit Box Cover
3	64037	Flat Washer	12	65052	Switch Knob w/Screw
4	36732	Strain Relief	13	65062	Face Plate
5	63937	Cord Wrap	14	54162	Flat Hd. Machine Screw #6 - 32 x 1/2"
6	48052	Strain Relief Nut	15	65097	Flat Washer #6
7	47677	Square Key, 1/8" x 3/16" x 1"	16	61327	Hex Nut #6 - 32
8	65042	Motor, 120V 60Hz 2 HP	17	20148	Rotary Switch Assembly
9	65082	Conduit Box Gasket			

Wiring Diagram



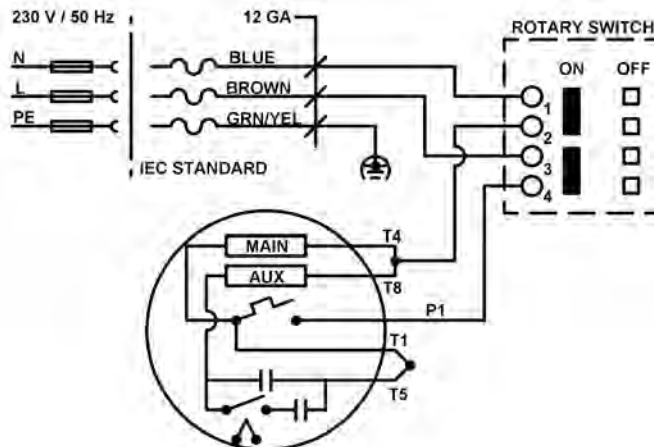
Electrical 220V 50 Hz Export



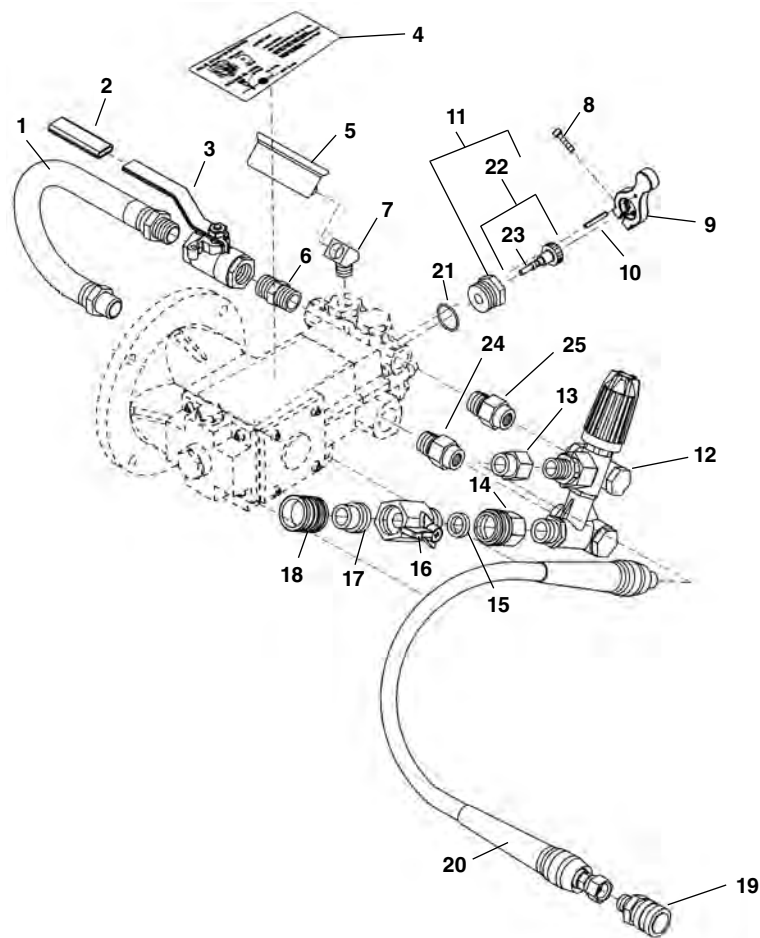
NOTE: Order parts by Catalog Number only.
DO NOT order by Reference Number.

Ref. No.	Catalog No.	Description	Ref. No.	Catalog No.	Description
1	15707	Power Cord	10	65077	Conduit Box Cover
2	64037	Flat Washer	11	65052	Switch Knob w/Screw
3	36732	Strain Relief	12	65062	Face Plate
4	63937	Cord Wrap	13	54162	Flat Hd. Machine Screw #6 - 32 x 1/2"
5	48052	Strain Relief Nut	14	65097	Flat Washer #6
6	47677	Square Key, 1/8" x 3/16" x 1"	15	61327	Hex Nut #6 - 32
7	94452	Motor, 220V 50Hz 2 HP	16	65092	Rotary Switch Assembly
8	65082	Conduit Box Gasket			
9	65072	Screw			

Wiring Diagram

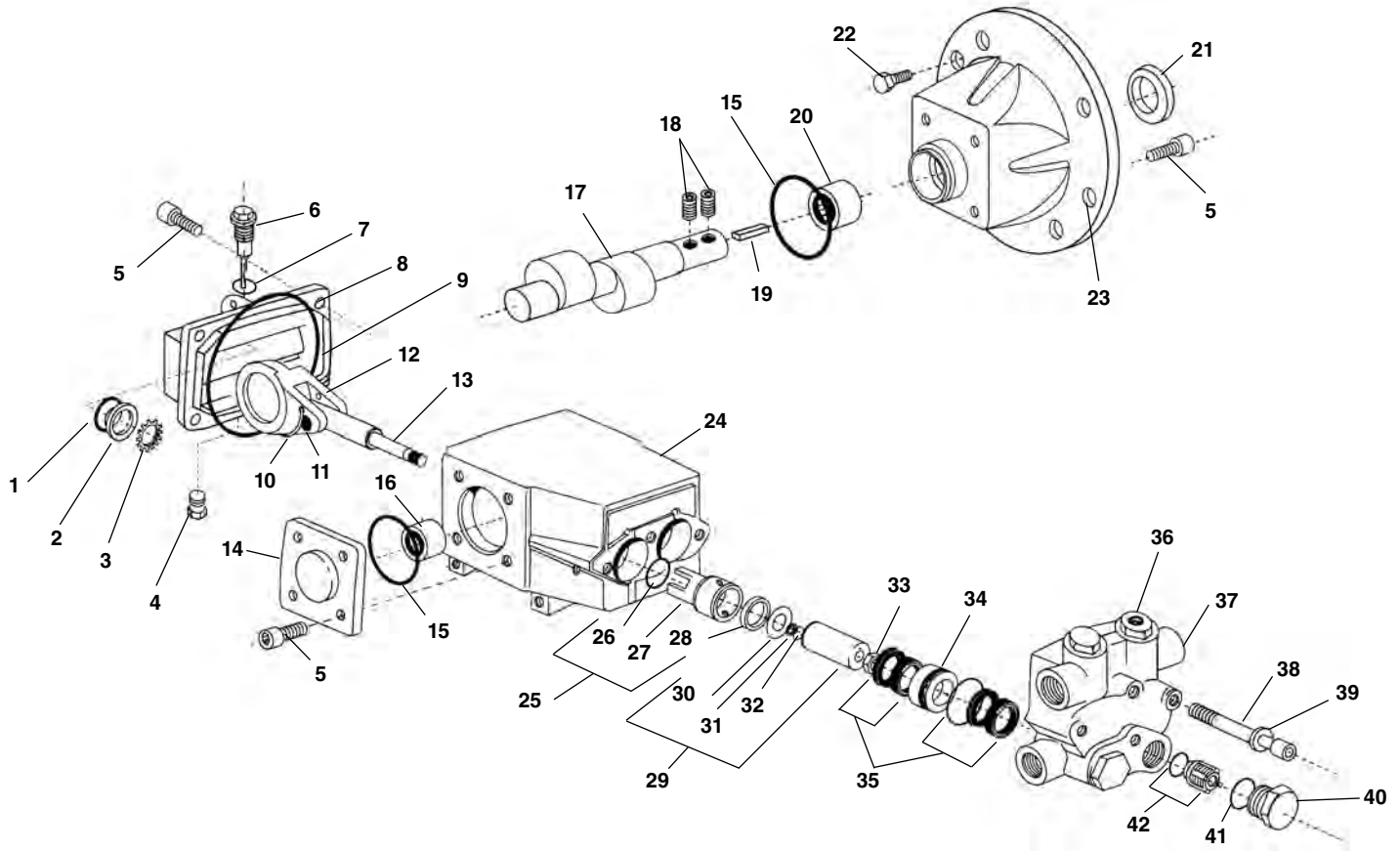


Flow Control System



Ref. No.	Catalog No.	Description
1	48132	Dampener Hose, 18"
2	64272	Pulse Valve Cover
3	48127	Pulse Control Valve
4	63967	Decal, Pulse Instruction
5	63957	Pressure Gauge
6	63912	Hex Nipple, 3/8" NPT
7	48107	Street El, 45 Degree
8	46375	Soc Hd Screw, #6 - 32 x 5/8"
9	63907	Actuator Handle
10	41500	Spring Pin
11	65192	Pulse Assembly
12	65202	Unloader Valve Assembly
13	65197	Reducer Coupling
14	65207	Hose Adapter
15	48287	Filter Washer
16	49582	Water Shut Off
17	48202	Hose Coupler Nipple
18	48197	Hose Coupler
19	48117	Female Quick Connect, 1/4" NPT Male
20	63927	Output Hose
21	65392	O-Ring
22	85872	Adjusting Screw w/Seals
23	85882	Seals for Adjusting Screw
24	70427	Inlet Adapter, 1/2" x 1/2"
25	70432	Outlet Adapter, 3/8" x 3/8"
	65102	Wash Wand Nozzle (Not Shown)
	70897	Chemical Injector (Not Shown)

Pump Assembly - Type 2



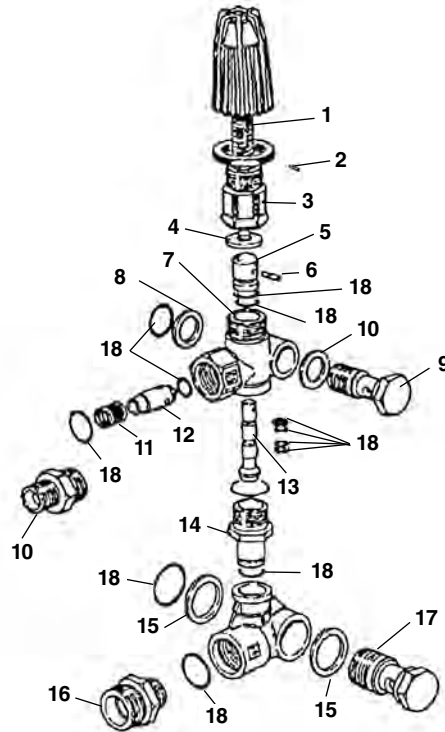
**NOTE: Order parts by Catalog Number Only.
DO NOT order by Reference Number.**

Ref. No.	Catalog No.	Description	Ref. No.	Catalog No.	Description	Ref. No.	Catalog No.	Description
1	88852	O-Ring	15	47707	O-Ring (2)	29	88997	Plunger Kit, (2)
2	88847	Sight Glass	16	88822	Needle Bearing	30	47762	Slinger Ring (2)
3	88857	Retainer	17	88877	Crankshaft	31	47712	Backup Seal (2)
4	47782	Drain Plug, 1/4" NPT	18	47752	Set Screw, 1/4" - 28 x 1/4" (2)	32	47697	O-Ring (2)
5	40910	Soc. Hd. Cap Screw, 1/2" - 20 x 3/4" (12)	19	47677	Key, 1/8" x 3/16" x 1"	33	88867	Retaining Nut (2)
6	47787	Dip Stick	20	47727	Needle Bearing	34	89007	Cup Retainer, (2)
7	88452	O-Ring	21	47732	Seal	35	89002	Plunger Seal Kit
8	88842	Crankcase Cover	22	75350	Hex Bolt, 3/8" -16 x 1 1/4" (4)	36	89017	Valve Cap, Ported, 1/4" NPT
9	88447	O-Ring	23	47667	C-Flange End Cover	37	88792	Head
10	88837	Spring Retainer (2)	24	88812	Crankcase	38	47747	Socket Head Cap Screw (4)
11	88827	Wrist Pin (2)	25	88437	Oil Seal Repair Kit	39	88872	Lock Washer (4)
12	88832	Connecting Rod (2)	26	88442	O-Ring (2)	40	88412	Valve Cap (2)
13	88807	Plunger Rod (2)	27	88797	Insert (2)	41	88417	O-Ring (4)
14	88817	End Plate	28	88802	Oil Seal (2)	42	88422	Valve Kit

Unloader Valve - Early Style (Red Knob)

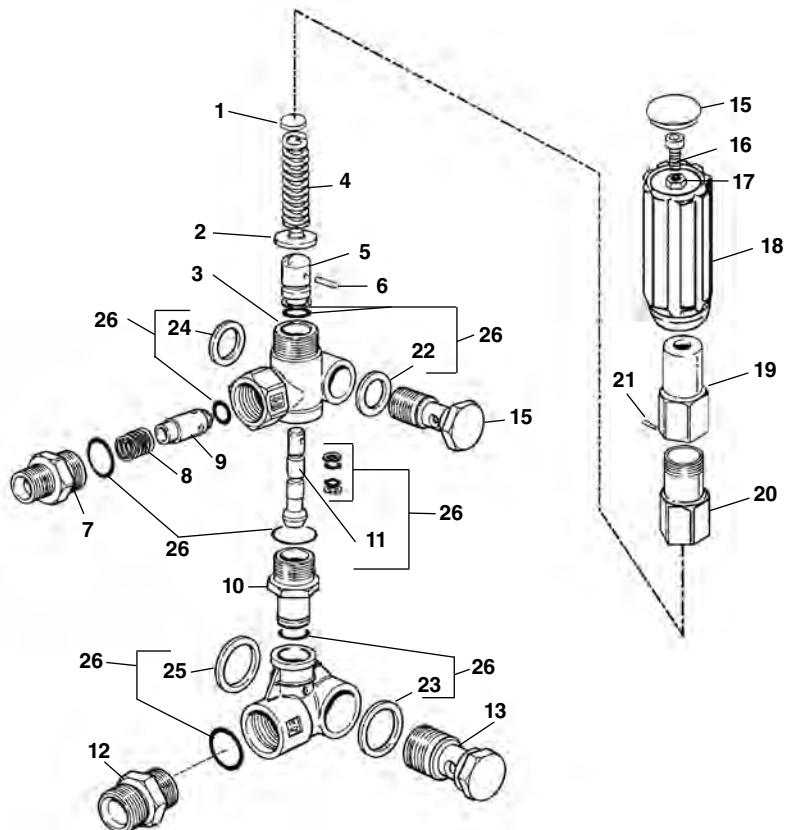
**NOTE: Order parts by Catalog Number Only.
DO NOT order by Reference Number.**

Ref. No.	Catalog No.	Description
1	64282	Spring
2	64292	Set Screw
3	64297	Spring Guide
4	64302	Spring Button
5	64307	Poppet
6	64312	Pin
7	64317	Valve Body
8	64322	Gasket (2)
9	64327	Outlet Port Adapter
10	64332	Poppet Retainer
11	64337	Spring
12	64342	Poppet
13	64347	Plunger
14	64352	By-Pass Spring
15	64357	Gasket
16	64362	Inlet Adapter
17	64372	Port Adapter
18	64377	Seal Kit

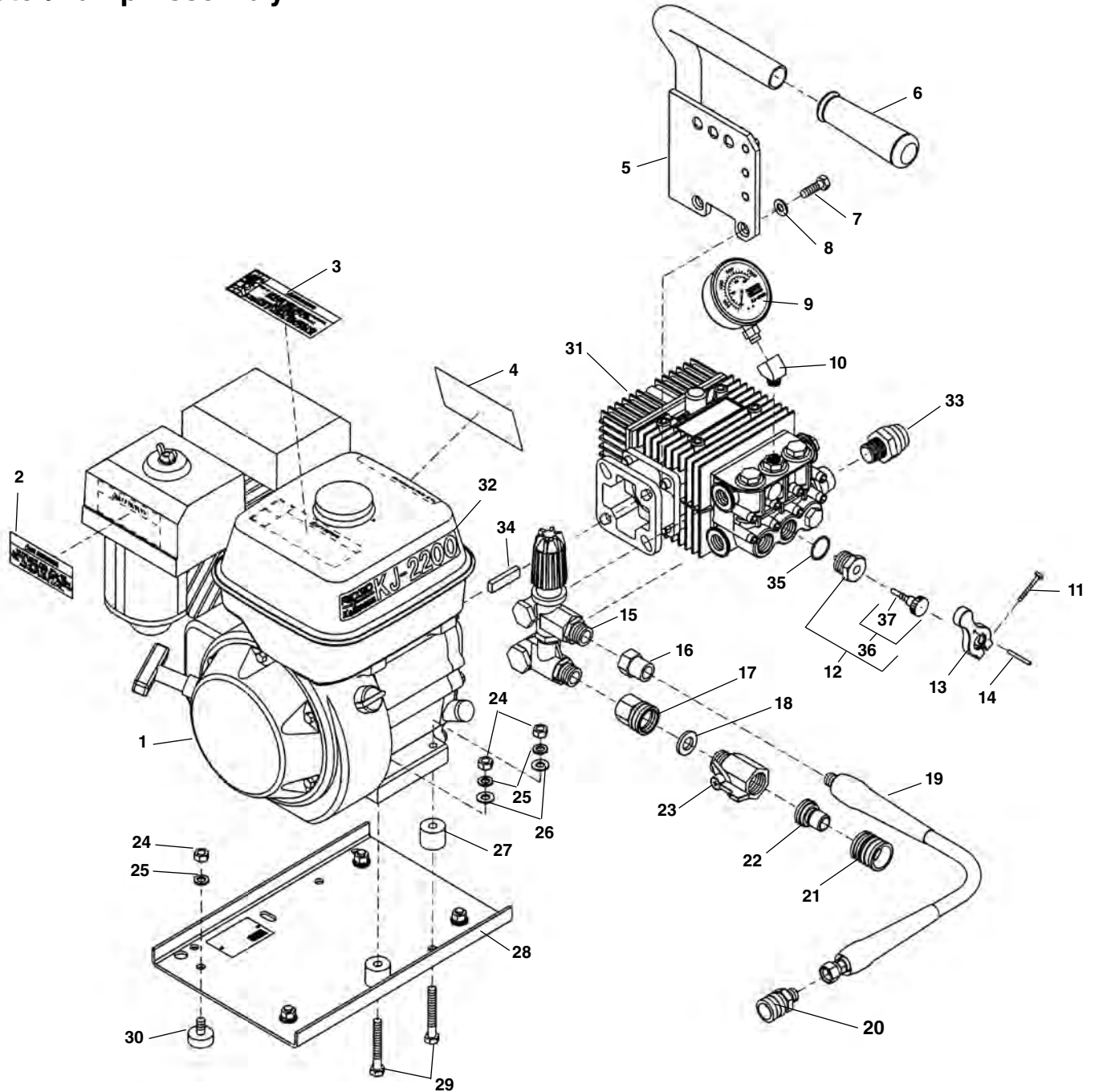


Unloader Valve - (Black Knob)

Ref. No.	Catalog No.	Description
—	65202	Unloader Valve Complete
1	85902	Plate
2	64302	Spring Button
3	64317	Body
4	85897	Spring
5	64307	Poppet
6	64312	Pin
7	64332	Outlet Poppet Retainer
8	64337	Spring
9	64342	Poppet
10	64352	By-Pass Seat
11	64347	Plunger
12	64362	Inlet Adapter
13	64372	Inlet Port Adapter
14	64327	Outlet Port Adapter
15	85892	Plug Cap
16	32270	Soc. Hd. Cap Screw 5/16" - 18 -3/4"
17	61115	Hex Nut 7/16" x 18
18	85887	Control Knob (Black)
19	85907	Cap
20	85917	Spring Guide
21	85912	Pin
22	64322	Seal Washer
23	64357	Seal Washer
24	85922	Seal Washer
25	85927	Seal Washer
26	64377	Seal Kit



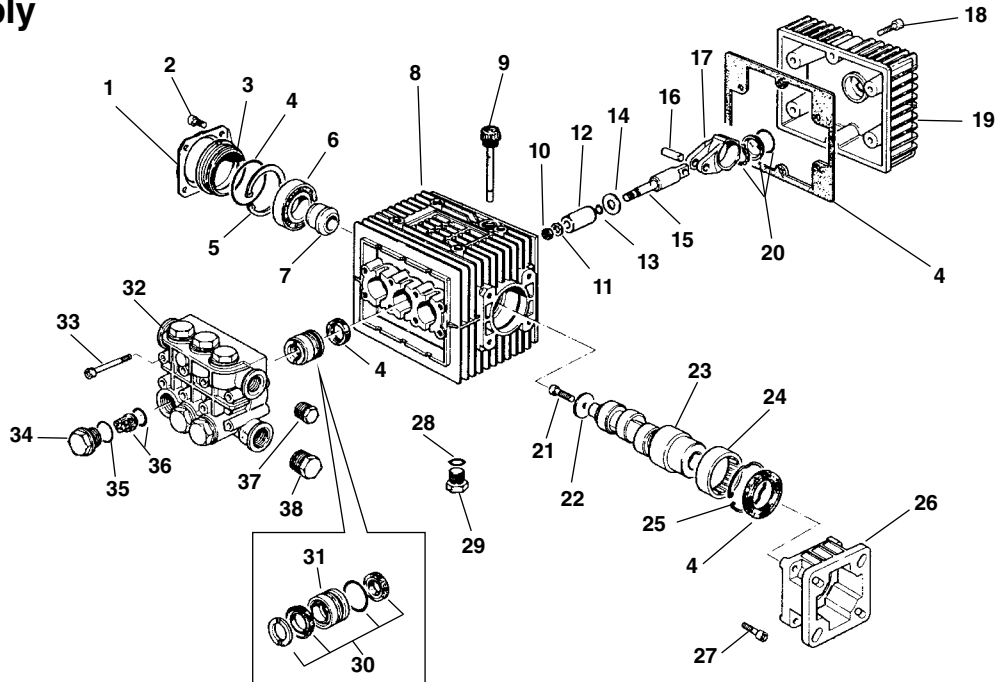
Motor/Pump Assembly



NOTE: Order parts by Catalog Number Only.
DO NOT order by Reference Number.

Ref. No.	Catalog No.	Description	Ref. No.	Catalog No.	Description	Ref. No.	Catalog No.	Description
1	22103	Gasoline Engine, 6.5 Hp	14	41500	Spring Pin	27	43852	Spacer (4)
2	60102	Decal, Fuel Warning	15	65202	Unloader Valve Complete	28	48182	Base Plate
3	49562	Decal, Warning	16	65197	Reducer Coupling	29	49597	Hex Screw 5/16" - 18 x 2 1/4" (4)
4	65182	Decal, Pulse Actuator	17	65207	Hose Adapter	30	48187	Rubber Foot (4)
5	65177	Handle	18	48287	Filter Washer	31	65132	Pump Complete
6	60827	Hand Grip	19	65212	Output Hose	32	65187	Decal, Model No. KJ-2200
7	60380	Hex Screw 3/8" - 16 x 1 1/4" (4)	20	48117	Quick Connect (Male 48487)	33	65412	Thermal Protector
8	60080	Lock Washer 3/8" (4)	21	48197	Hose Coupler	34	66297	Key
9	65137	Pressure Gauge, KJ-2200	22	48202	Hose Coupler Nipple	35	65392	O-Ring
10	48107	Street EL, 45°	23	49582	Water Shut-off	36	85872	Adjusting Screw w/Seals
11	46375	Soc. Head Screw #6 - 32 x 5/8"	24	60230	Hex Nut 7/16" - 18 (8)	37	85882	Seals for Adjusting Screw
12	85862	Pulse Assembly, KJ-2200	25	60080	Lock Washer 3/8" (8)	—	65117	Wash Wand Nozzle (Not Shown)
13	63907	Actuator Handle	26	60060	Flat Washer 3/8" (4)	—	70902	Chemical Injector (Not Shown)

Pump Assembly

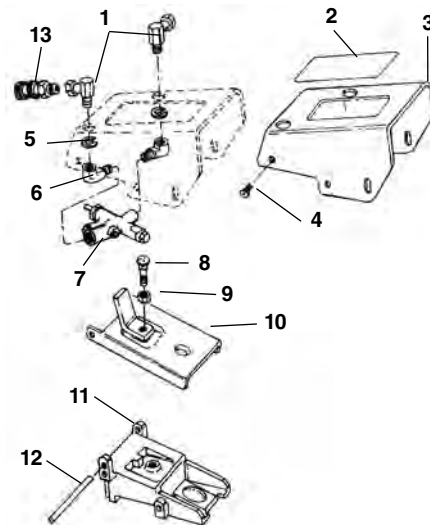


**NOTE: Order parts by Catalog Number Only.
DO NOT order by Reference Number.**

Ref. No.	Catalog No.	Description	Ref. No.	Catalog No.	Description	Ref. No.	Catalog No.	Description
—	65132	Pump Assembly	13	65282	O-Ring (3)	26	65347	Mounting Flange
1	65222	Bearing Retainer	14	65287	Slinger (3)	27	65352	Bolt (4)
2	65227	Bolt (4)	15	65292	Lower Plunger (3)	28	65357	O-Ring
3	65232	Bearing Cover	16	65297	Wrist Pin (3)	29	65362	Drain Plug
4	65237	Crankcase Seal Kit (4 pcs)	17	65302	Connecting Rod (3)	30	65367	Plunger Seal Kit (3 sets)
5	65242	Retaining Ring	18	65307	Bolt, M5 x 20 (6)	31	65372	Cup Retainer (3)
6	65247	Ball Bearing	19	65312	Crankcase Cover	32	65377	Pump Head
7	65252	Shaft Retainer	20	65317	Sight Glass w/O-Ring & Retainer	33	65382	Bolts, M6 x 60 (8)
8	65257	Crankcase	21	65322	Bolt	34	65387	Valve Cap (6)
9	65262	Dipstick	22	65327	Washer	35	65392	O-Ring (6)
10	65267	Nut (3)	23	65332	Crankshaft	36	65397	Valve Kit (6 Valves, 6 O-Rings)
11	65272	Plunger Seal (3)	24	65337	Roller Bearing	37	65402	Port Plug, Small
12	65277	Plunger (3)	25	65342	Retaining Ring	38	65407	Port Plug, Large

FV-1 Foot Valve

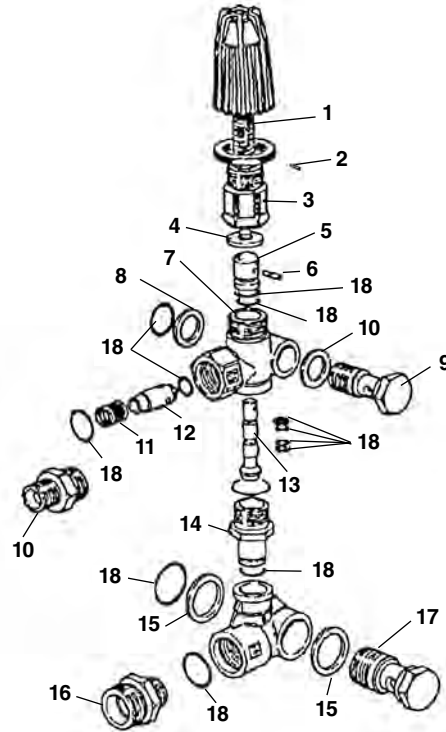
Ref. No.	Catalog No.	Description
—	48157	Foot Valve Complete, FV-1
1	49787	Elbow w/Swivel, 1/4" NPT (2)
2	49777	Decal, Model No.
3	49772	Cover
4	36787	Screw, Self Tapping, #10 (4)
5	49792	Lock Washer 3/16" (2)
6	49797	Street EL, 1/4" NPT(2)
7	49782	Valve Assembly
8	49802	Carriage Bolt, 1/4" NPT
9	47297	Lock Nut, 1/4" - 20
10	49767	Foot Pedal
11	36737	Base
12	36747	Pivot Pin
13	48117	Quick Connect – Female



Unloader Valve - Early Style (Red Knob)

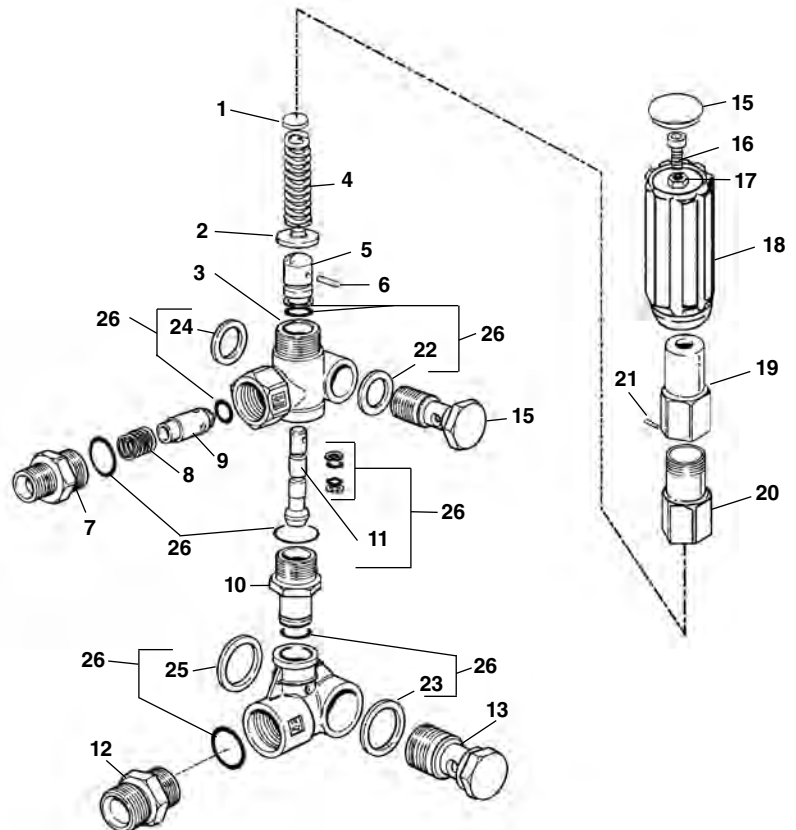
**NOTE: Order parts by Catalog Number Only.
DO NOT order by Reference Number.**

Ref. No.	Catalog No.	Description
1	64282	Spring
2	64292	Set Screw
3	64297	Spring Guide
4	64302	Spring Button
5	64307	Poppet
6	64312	Pin
7	64317	Valve Body
8	64322	Gasket (2)
9	64327	Outlet Port Adapter
10	64332	Poppet Retainer
11	64337	Spring
12	64342	Poppet
13	64347	Plunger
14	64352	By-Pass Spring
15	64357	Gasket
16	64362	Inlet Adapter
17	64372	Port Adapter
18	64377	Seal Kit

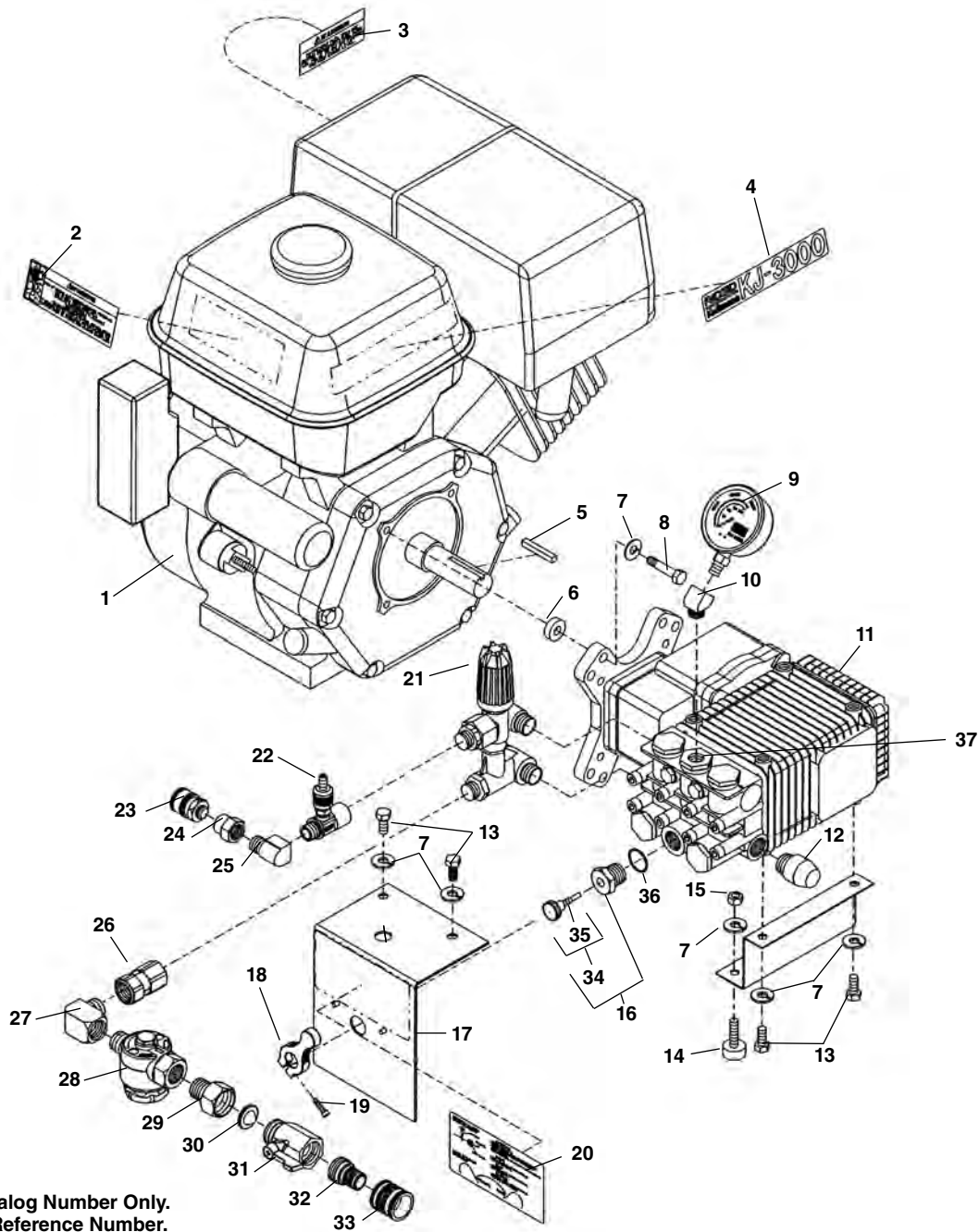


Unloader Valve - (Black Knob)

Ref. No.	Catalog No.	Description
—	65202	Unloader Valve Complete
1	85902	Plate
2	64302	Spring Button
3	64317	Body
4	85897	Spring
5	64307	Poppet
6	64312	Pin
7	64332	Outlet Poppet Retainer
8	64337	Spring
9	64342	Poppet
10	64352	By-Pass Seat
11	64347	Plunger
12	64362	Inlet Adapter
13	64372	Inlet Port Adapter
14	64327	Outlet Port Adapter
15	85892	Plug Cap
16	32270	Soc. Hd. Cap Screw 5/16" - 18 -3/4"
17	61115	Hex Nut 5/16" x 18
18	85887	Control Knob (Black)
19	85907	Cap
20	85917	Spring Guide
21	85912	Pin
22	64322	Seal Washer
23	64357	Seal Washer
24	85922	Seal Washer
25	85927	Seal Washer
26	64377	Seal Kit



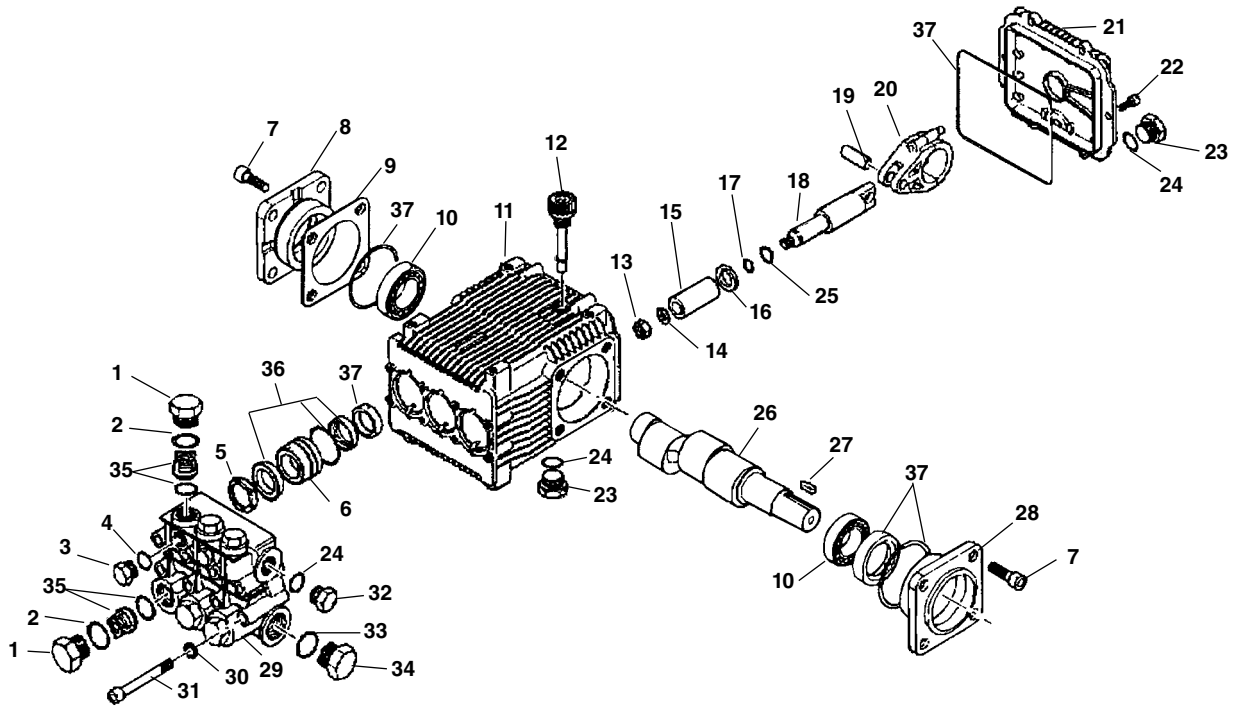
Motor/Pump Assembly



**NOTE: Order parts by Catalog Number Only.
DO NOT order by Reference Number.**

Ref. No.	Catalog No.	Description	Ref. No.	Catalog No.	Description	Ref. No.	Catalog No.	Description
1	66092	Gasoline Engine, 13 Hp Manual Start	13	66132	Hex Hd. Cap Scr., Metric M8-10 (4)	26	66867	Coupling, 1/2" NPT
	66097	Gasoline Engine, 13 Hp Electric Start	14	48187	Rubber Foot (4)	27	48147	Street EL, 90 Degree, 1/2" NPT
2	49562	Decal, Warning	15	60230	Nut (4)	28	66167	Inlet Filter
3	60102	Decal, Fuel Warning	16	46375	Pulse Actuator Assembly	29	49587	Hose Adapter w/Washer
4	66102	Decal, Model No. KJ-3000	17	66137	Panel	30	48287	Filter Washer
5	66107	Key, 1/4" x 1/4" x 1"	18	63907	Pulse Actuator Handle	31	49582	Water Shut-Off
6	66112	Spacer, Gearbox Mount	19	46375	Soc. Hd. Cap Screw, #6 - 32 x 5/8"	32	48202	Hose Coupler Nipple
7	60080	Lock Washer (8)	20	66142	Decal, Instruction	33	48197	Hose Coupler
8	75350	Hex Screw, 3/8" - 16 x 1 1/4" (4)	21	65202	Unloader Valve	34	85877	Adjusting Screw w/Seals
9	66117	Pressure Gauge, KJ-3000	22	66147	Chemical Injector	35	85882	Seals for Adjusting Screw
10	48107	Street EL, 45 Degree	23	48117	Quick Connect - Female	36	65392	O-Ring
11	66122	Pump Complete, 3000 PSI	24	66157	Reducer Adapter		65127	Wash Wand Nozzle (Not Shown)
12	65412	Thermal Relief Valve	25	66162	Street EL, 90 Degree	37	95787	Reducing Bushing

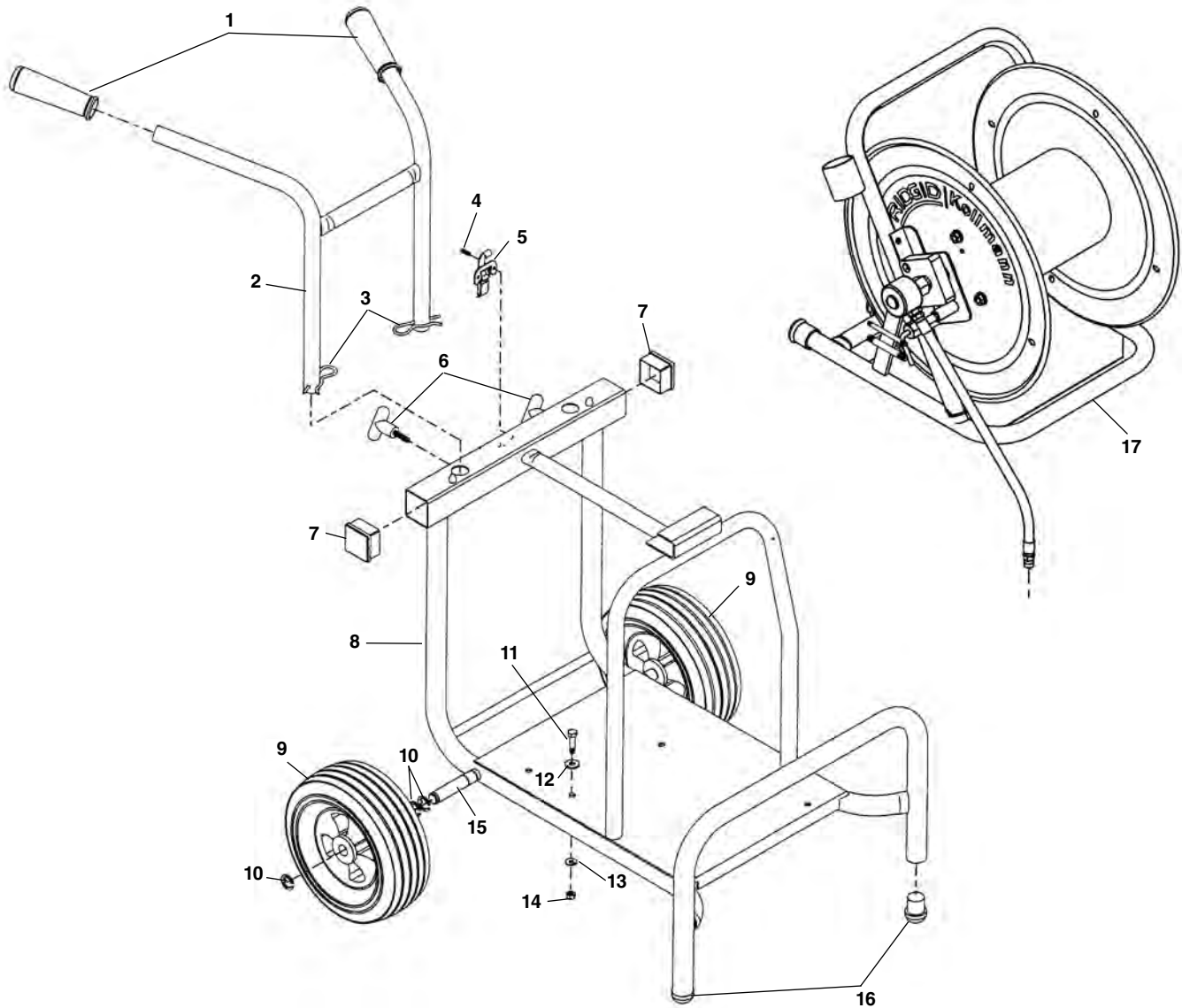
Pump Assembly New Style



**NOTE: Order parts by Catalog Number Only.
DO NOT order by Reference Number.**

Ref. No.	Catalog No.	Description	Ref. No.	Catalog No.	Description	Ref. No.	Catalog No.	Description
1	96722	Valve Cap (6)	14	66247	Plunger Washer	27	66297	Key
2	96642	O-Ring (6)	15	96747	Plunger	28	66302	Cover
3	96727	Plug	16	96752	Slinger (3)	29	96802	Pump Head
4	96732	O-Ring	17	96757	O-Ring (3)	30	96807	Washers (8)
5	66202	Cup Spreader	18	96762	Plunger Guide	31	66317	Bolt (8)
6	66307	Cup Retainer	19	66272	Wrist Pin (3)	32	96792	Port Plug,
7	66217	Bolt (8)	20	66277	Connecting Rod (3)	33	96677	O-Ring
8	66222	Cover	21	96767	Crankcase Cover	34	96797	Port Plug
9	96787	Shim Set	22	96777	Bolt (6)	35	96707	Valve Kits – 6 Valves, 6 O-Rings
10	96737	Ball Bearing	23	96667	Drain Plug (2)	36	66207	Water Seal Kit – 3 each, U-Cup, O-Ring, Cup
11	96742	Crankcase	24	65357	O-Ring (3)	37	96712	Oil Seal Kit – 4 Seals, 3 O-rings
12	65262	Dipstick	25	96812	Washers (3)			
13	66242	Plunger Nut	26	96782	Crankshaft			

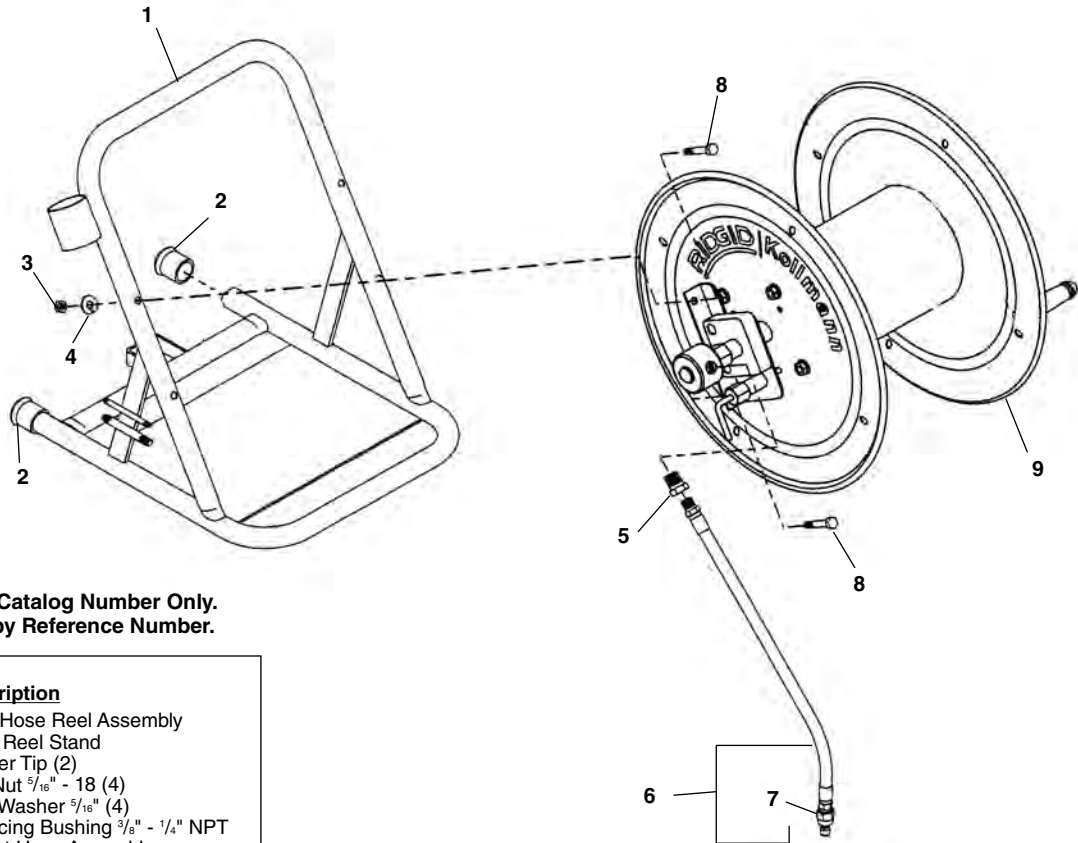
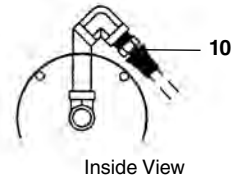
Cart with Hose Reel



**NOTE: Order parts by Catalog Number Only.
DO NOT order by Reference Number.**

Ref. No.	Catalog No.	Description
1	60827	Hand Grip (2)
2	66017	Handle Assembly
3	60677	Hairpin (2)
4	27017	Screw, Self Tapping #12-24 x 3/4" (2)
5	47972	Latch
6	60622	Mounting Knob (2)
7	66027	Square Plug (2)
8	66032	Frame
9	23597	Wheel (2)
10	60050	Retaining Ring (6)
11	43992	Hex Screw 3/8"-16 x 2" (4)
12	59970	Flat Washer 3/8" (4)
13	60085	Lock Washer 3/8" (4)
14	60395	Hex Nut 3/8" (4)
15	66037	Axle
16	61470	Rubber Plug (2)
17	64862	H-38 Hose Reel Assembly

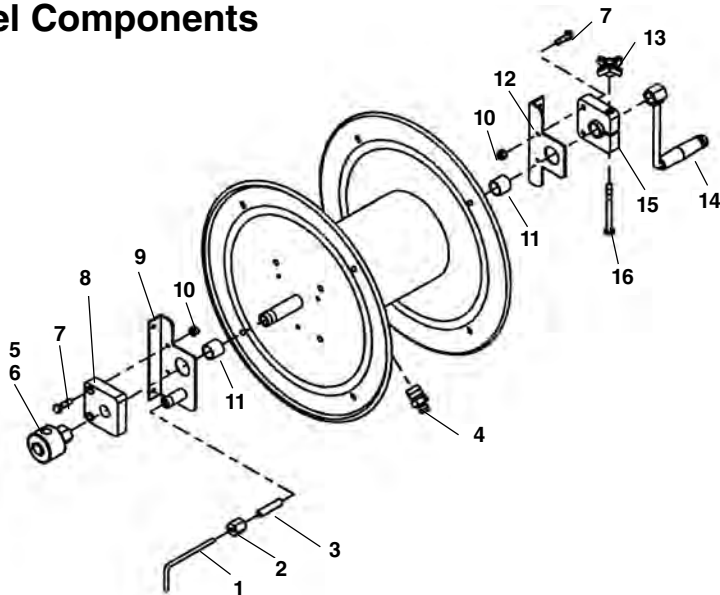
H-38 Reel Assembly



**NOTE: Order parts by Catalog Number Only.
DO NOT order by Reference Number.**

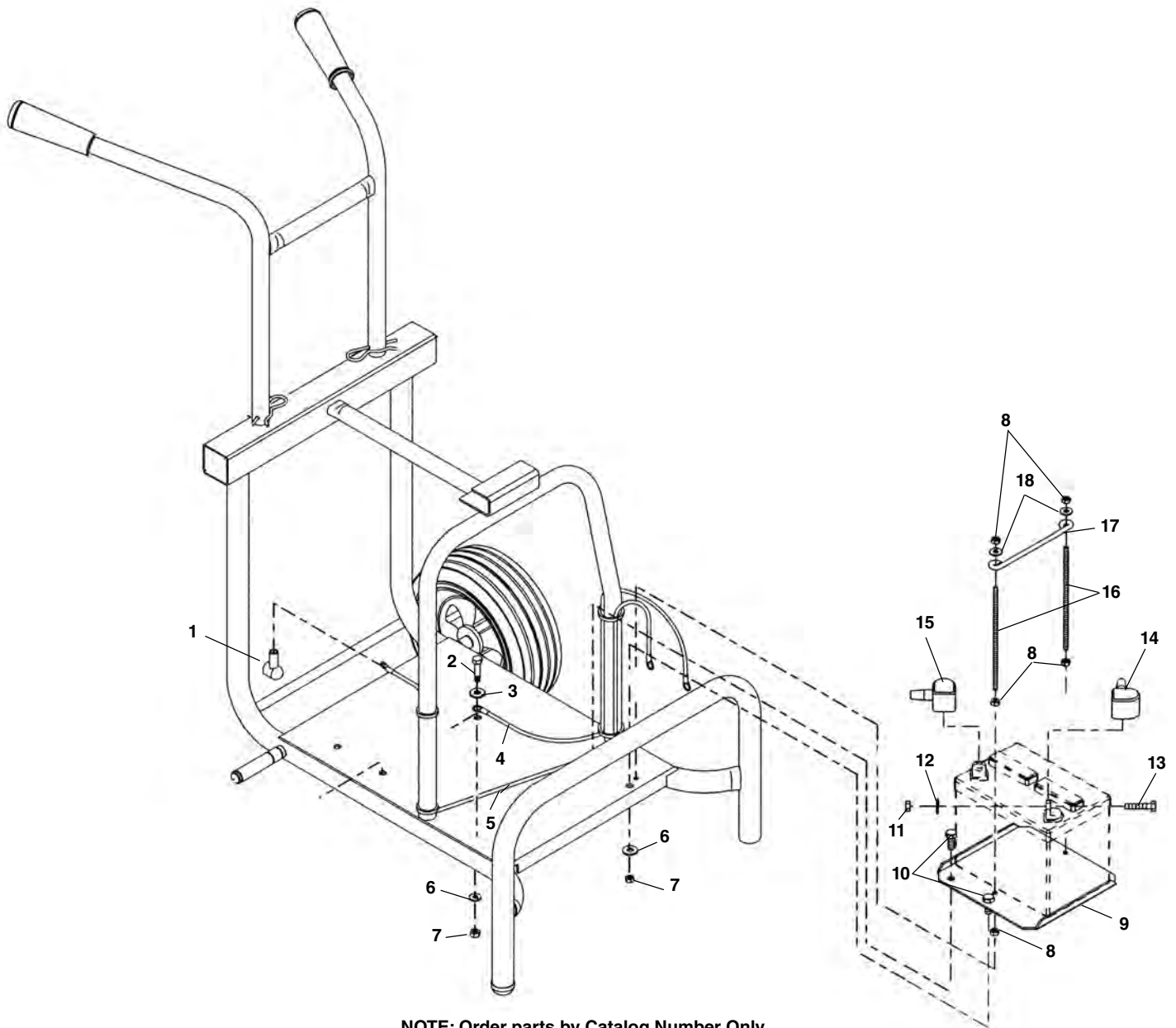
Ref. No.	Catalog No.	Description
—	64862	H-38 Hose Reel Assembly
1	66022	Hose Reel Stand
2	37962	Rubber Tip (2)
3	60230	Hex Nut $\frac{5}{16}$ " - 18 (4)
4	60080	Lock Washer $\frac{5}{16}$ " (4)
5	48152	Reducing Bushing $\frac{3}{8}$ " - $\frac{1}{4}$ " NPT
6	66047	Output Hose Assembly
7	48002	Quick Connect - Male
8	43847	Hex Screw $\frac{5}{16}$ " - 18 x $1\frac{1}{2}$ " (4)
9	48022	Hose Reel
10	35275	Spring

Reel Components



Ref. No.	Catalog No.	Description
—	48022	Hose Reel COMPLETE
1	67677	Reel Lock
2	67682	Lock Nut
3	67687	Sleeve
4	67692	Reducer Bushing, $\frac{1}{2}$ " - $\frac{1}{4}$ " NPT M
5	67697	Swivel Connector
6	67702	Service Kit, Swivel
7	85910	Hex Screw, $\frac{5}{16}$ " - 18 x 1" (2)
8	67707	Bearing Block, Plain
9	67712	Bracket, Lock Side
10	75110	Hex Nut, $\frac{5}{16}$ " - 18 (2)
11	67717	Spacer (2)
12	67727	Bracket, Plain
13	67732	Knob, Drag Brake
14	67737	Crank
15	67742	Bearing Block, Drag
16	67747	Hex Screw, $\frac{5}{16}$ " - 18 x $3\frac{1}{2}$ "

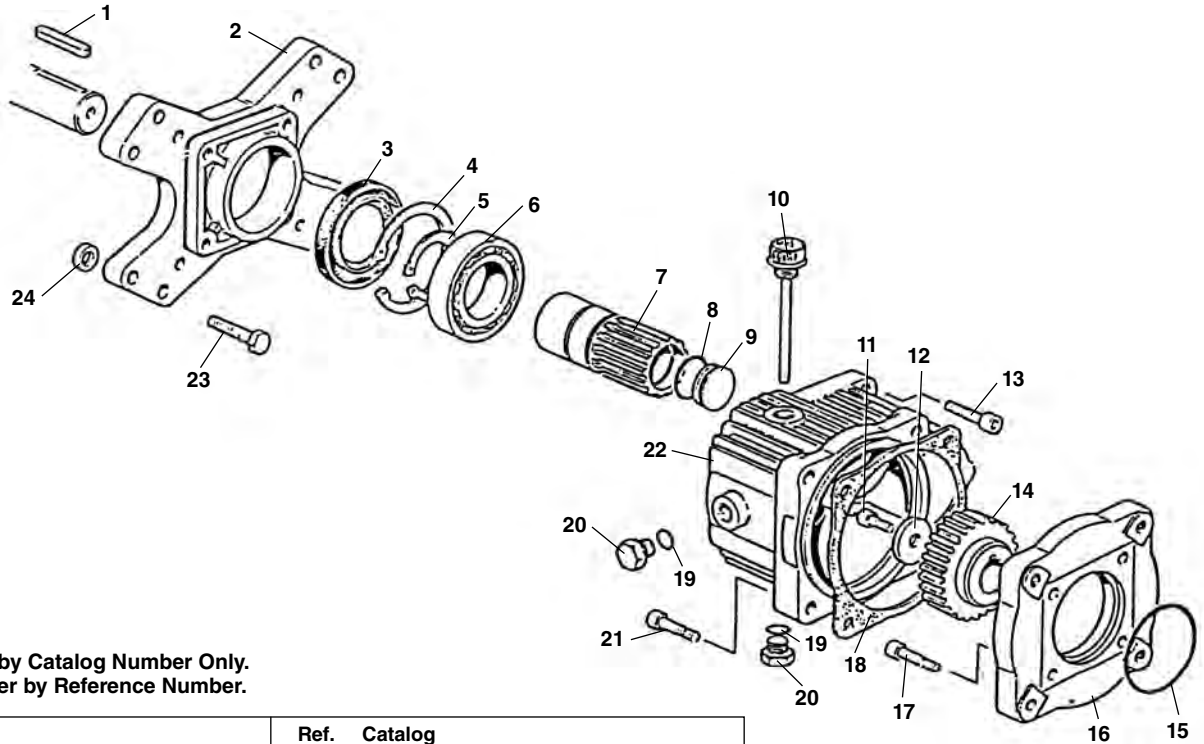
Electric Start Components



**NOTE: Order parts by Catalog Number Only.
DO NOT order by Reference Number.**

Ref. No.	Catalog No.	Description
1	66042	Insulator Cap
2	43992	Hex Screw $\frac{3}{8}$ " - 16 x 2" (2)
3	59970	Flat Washer $\frac{3}{8}$ " (2)
4	66082	Battery Cable, Negative
5	66087	Battery Cable, Positive
6	60085	Lock Washer $\frac{3}{8}$ " (2)
7	60395	Hex Nut $\frac{3}{8}$ " - 16 (2)
8	80370	Hex Nut $\frac{1}{4}$ " - 20 (6)
9	66072	Battery Tray
10	45470	Hex Screw $\frac{3}{8}$ " - 16 x 1" (2)
11	60230	Hex Nut $\frac{5}{16}$ " - 18 (2)
12	60080	Lock Washer $\frac{5}{16}$ " (2)
13	88045	Hex Screw $\frac{5}{16}$ " - 18 x $\frac{7}{8}$ " (2)
14	66067	Terminal Insulator - Black
15	66077	Terminal Insulator - Red
16	66062	Tie Down Rod $\frac{1}{4}$ " - 20 (2)
17	66057	Battery Strap
18	84720	Flat Washer $\frac{1}{4}$ " (2)

Gearbox

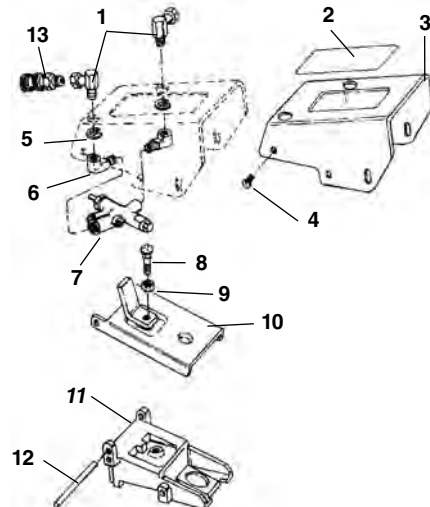


**NOTE: Order parts by Catalog Number Only.
DO NOT order by Reference Number.**

Ref. No.	Catalog No.	Description	Ref. No.	Catalog No.	Description
1	66107	Key, 1/4" x 1/4" x 1"	13	66372	Soc. Hd. Cap Scr. M8 x 25 (4)
2	66322	Mounting Flange	14	66377	Gear
3	66327	Shaft Seal	15	66382	O-Ring
4	66332	Retaining Ring	16	66387	Flange
5	66337	Retaining Ring	17	66392	Soc. Hd. Cap Scr. M8 x 30 (4)
6	66342	Ball Bearing	18	66397	Gasket
7	66347	Gear Shaft	19	65357	O-Ring (2)
8	66352	O-Ring	20	65362	Drain Plug (2)
9	66357	Plug	21	66402	Soc. Hd. Cap Scr. M10 x 25 (4)
10	66782	Dipstick	22	66407	Housing
11	66362	Soc. Hd. Cap Scr. M6 x 18	23	75350	Hex Screw, 3/8" - 16 x 1 1/4" (4)
12	66367	Washer	24	66112	Spacer, Gearbox Mount (4)

FV-1 Foot Valve

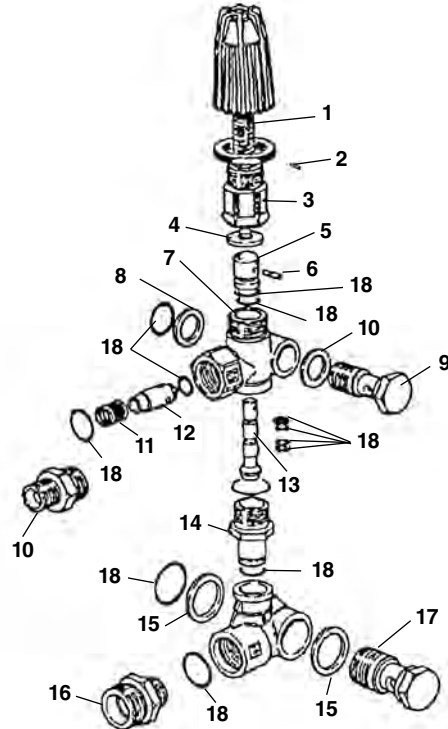
Ref. No.	Catalog No.	Description
—	48157	Foot Valve Complete, FV-1
1	49787	Elbow w/Swivel, 1/4" NPT (2)
2	49777	Decal, Model No.
3	49772	Cover
4	36787	Screw, Self Tapping, #10 (4)
5	49792	Lock Washer 9/16" (2)
6	49797	Street EL, 1/4" NPT(2)
7	49782	Valve Assembly
8	49802	Carriage Bolt, 1/4" NPT
9	47297	Lock Nut, 1/4" - 20
10	49767	Foot Pedal
11	36737	Base
12	36747	Pivot Pin
13	48117	Quick Connect – Female



Unloader Valve - Early Style (Red Knob)

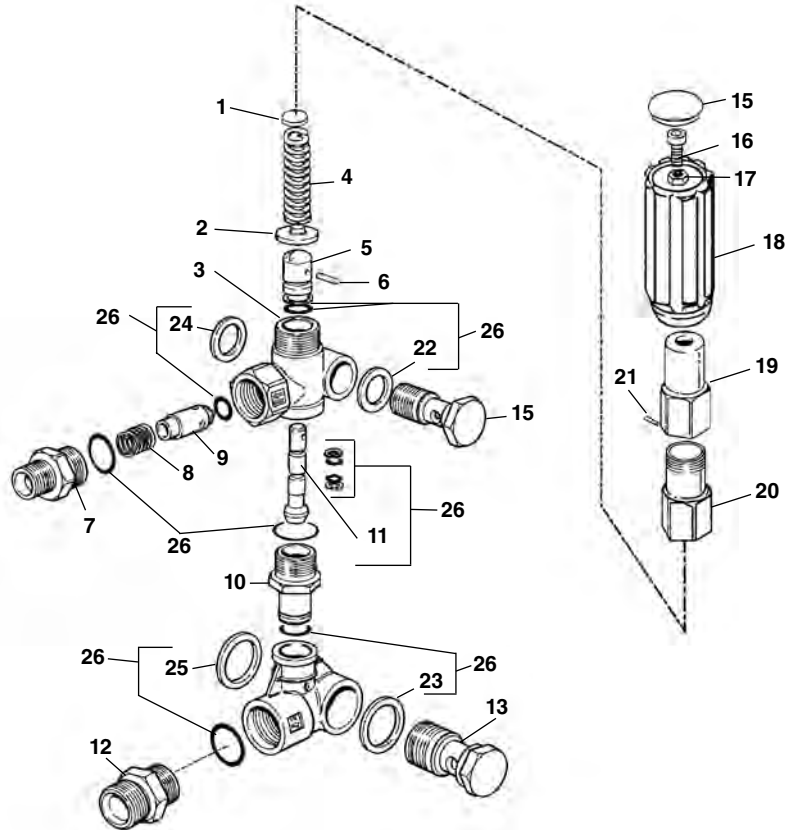
**NOTE: Order parts by Catalog Number Only.
DO NOT order by Reference Number.**

Ref. No.	Catalog No.	Description
1	64282	Spring
2	64292	Set Screw
3	64297	Spring Guide
4	64302	Spring Button
5	64307	Poppet
6	64312	Pin
7	64317	Valve Body
8	64322	Gasket (2)
9	64327	Outlet Port Adapter
10	64332	Poppet Retainer
11	64337	Spring
12	64342	Poppet
13	64347	Plunger
14	64352	By-Pass Spring
15	64357	Gasket
16	64362	Inlet Adapter
17	64372	Port Adapter
18	64377	Seal Kit

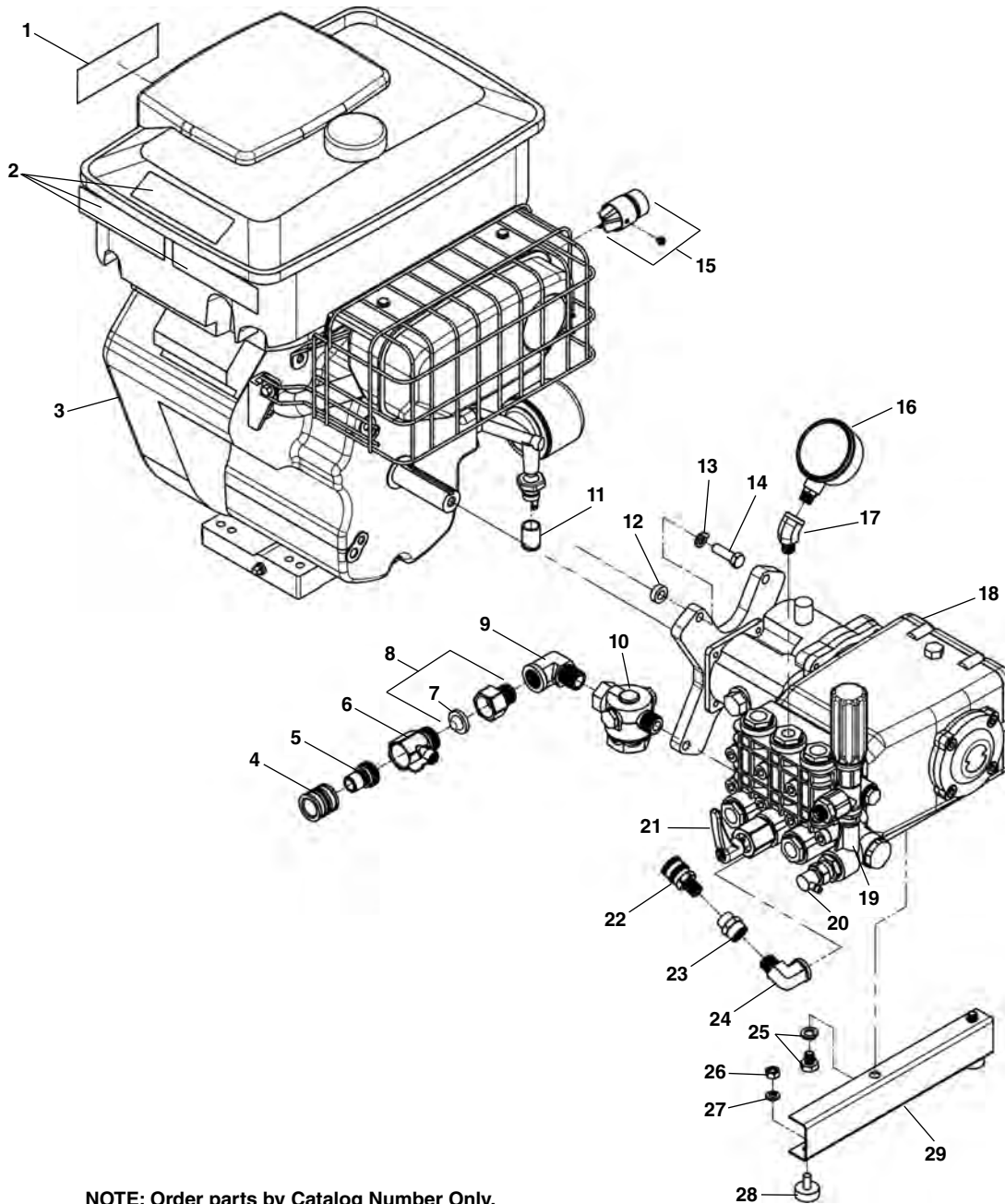


Unloader Valve - (Black Knob)

Ref. No.	Catalog No.	Description
—	65202	Unloader Valve Complete
1	85902	Plate
2	64302	Spring Button
3	64317	Body
4	85897	Spring
5	64307	Poppet
6	64312	Pin
7	64332	Outlet Poppet Retainer
8	64337	Spring
9	64342	Poppet
10	64352	By-Pass Seat
11	64347	Plunger
12	64362	Inlet Adapter
13	64372	Inlet Port Adapter
14	64327	Outlet Port Adapter
15	85892	Plug Cap
16	32270	Soc. Hd. Cap Screw $\frac{5}{16}$ " - 18 - $\frac{3}{4}$ "
17	61115	Hex Nut $\frac{5}{16}$ " x 18
18	85887	Control Knob (Black)
19	85907	Cap
20	85917	Spring Guide
21	85912	Pin
22	64322	Seal Washer
23	64357	Seal Washer
24	85922	Seal Washer
25	85927	Seal Washer
26	85932	Seal Kit



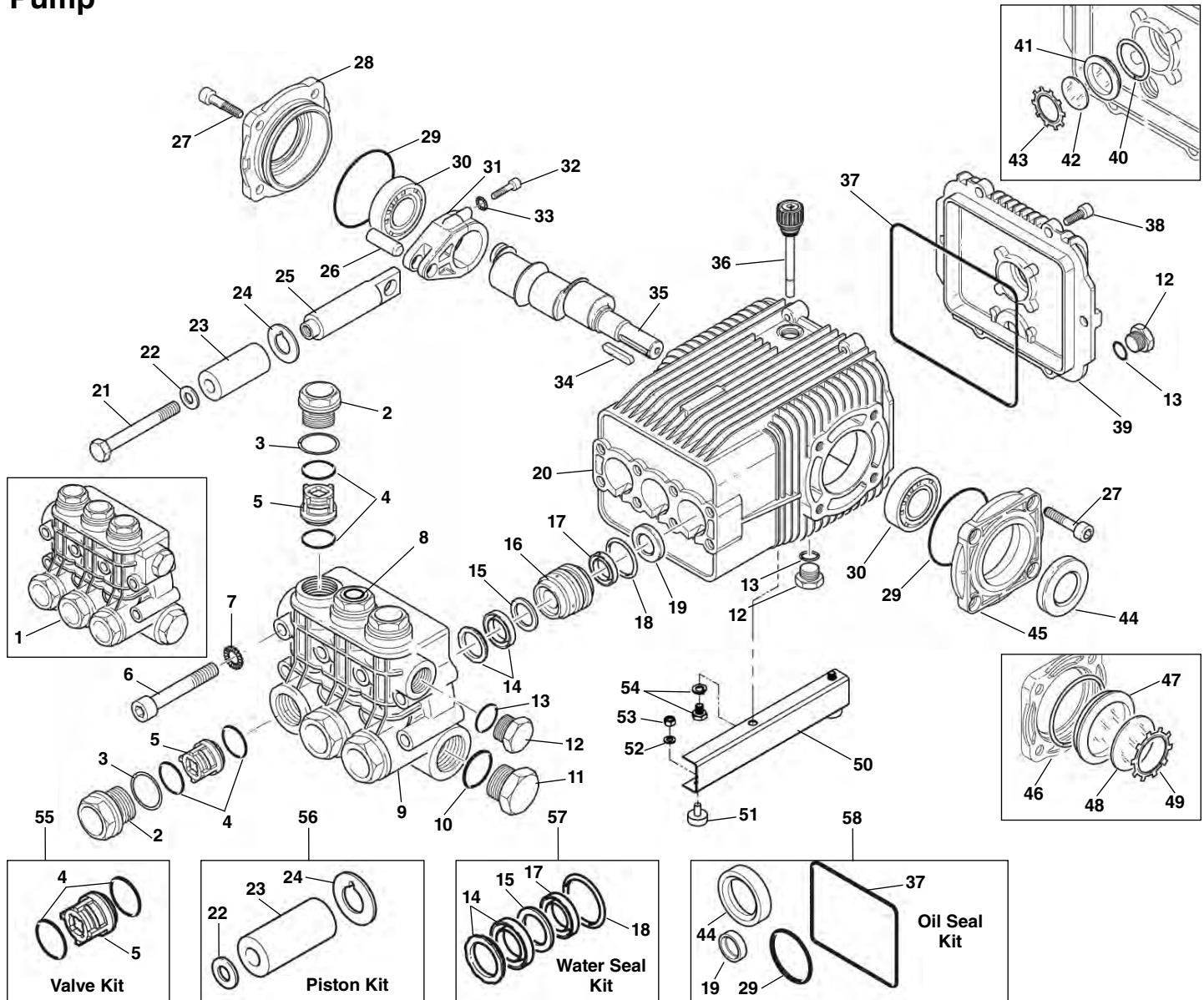
Motor/Pump Assembly



**NOTE: Order parts by Catalog Number Only.
DO NOT order by Reference Number.**

Ref. No.	Catalog No.	Description	Ref. No.	Catalog No.	Description
1	60102	Decal, Fuel Warning	16	66117	Pressure Gauge
2	40218	Decal, Warning	17	48107	Street EL, 45 Degree
3	40203	Gasoline Engine, 16 Hp Manual Start	18	40208	Pump Asm Complete (Incl. 19, 20 & 21)
4	48197	Hose Coupler	19	40298	Unloader
5	48202	Hose Coupler Nipple	20	40313	Thermal Relief
6	49582	Water Shut-Off	21	40303	Pulse Assembly
7	48287	Filter Washer	22	48117	Quick Connect – Female
8	49587	Hose Adapter (Incl. Ref 7)	23	66157	Reducer Adapter
9	48147	Street EL, 90 Degree, 1/2" NPT	24	66162	Street EL, 90 Degree
10	66167	Inlet Filter	25	40183	Hex Cap Screw w/Washer M10 x 12 (2)
11	39363	Cap	26	60230	Hex Nut 5/16" - 18 (2)
12	40558	Spacer	27	60080	Lock Washer 1 1/32" (2)
13	60085	Lock Washer (4)	28	48187	Vibration Mount (2)
14	40563	Hex Screw, 3/8"	29	40198	Pump Support Bracket
15	40233	Spark Arrestor			

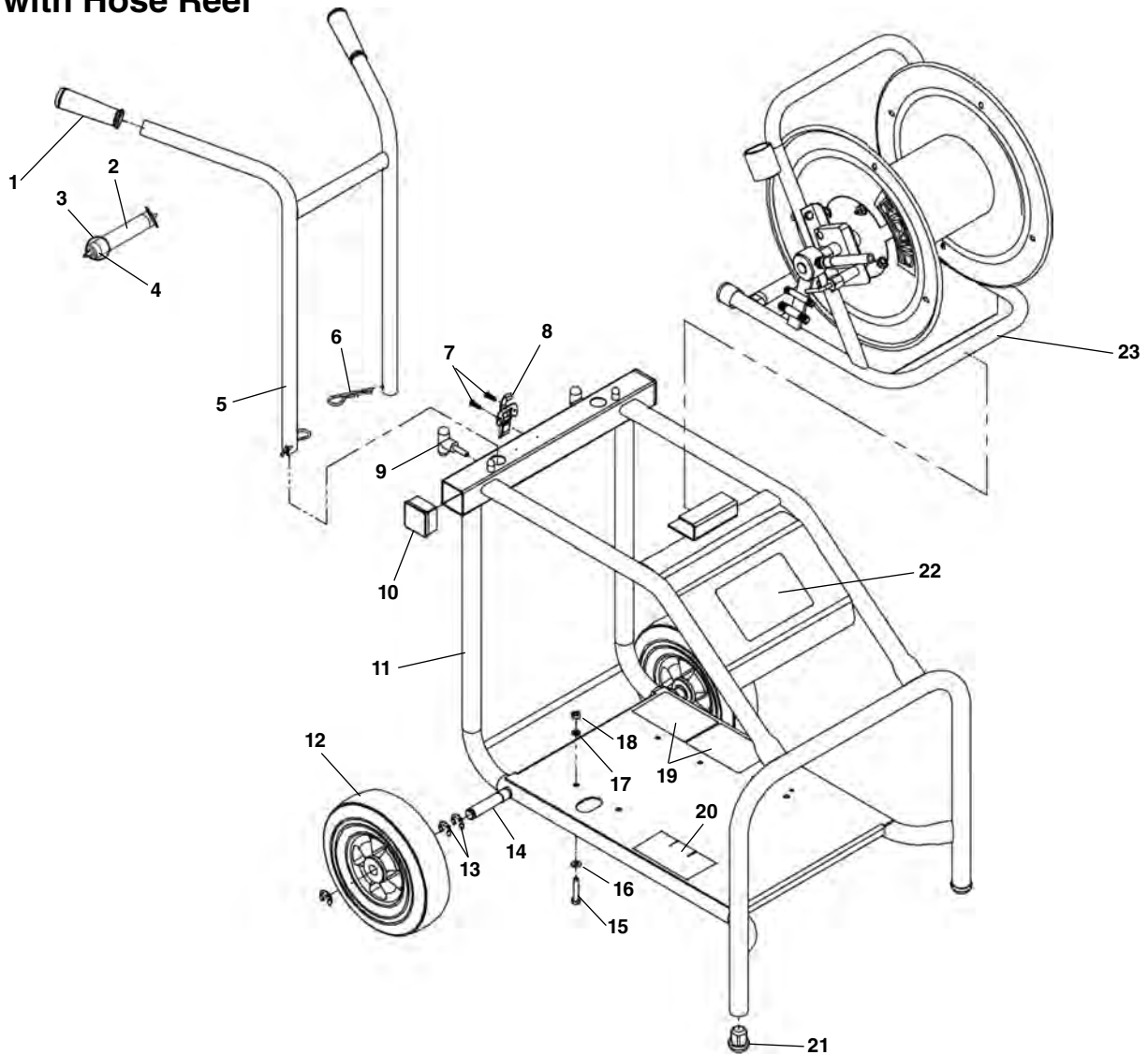
Pump



**NOTE: Order parts by Catalog Number Only.
DO NOT order by Reference Number.**

Ref. No.	Catalog No.	Description	Ref. No.	Catalog No.	Description	Ref. No.	Catalog No.	Description
-	40288	Triplex Plunger Pump	20	39588	Pump Housing	40	39463	O-Ring Ø 20.24 x 2.62
1	39668	Complete Pump Head	21	39663	Bolt M6 x 60 (3)	41	39598	Oil Sight Glass
2	39453	Valve Cap (602 in/lbs) (6)	22	39523	Washer - Copper (3)	42	39623	Contrast Disc
3	39458	Ring (6)	23	39528	Piston (3)	43	39603	Snap Ring
4	39463	O-Ring Ø 20.24 x 2.62 (12)	24	39533	Spacer (3)	44	39633	Seal Ring
5	39468	Complete Valve (6)	25	39538	Guiding Piston (3)	45	39658	Open Bearing Support
6	39443	Head Bolt M10 x 80 (442 in/lbs) (8)	26	39543	Piston Pin (3)	46	39678	O-Ring Ø 34.6 x 2.62
7	39448	Lock Washer (8)	27	39563	Bolt M8 x 16 (217 in/lbs) (8)	47	39673	Oil Sight Glass
8	40308	Gauge Port Adapter	28	39558	Side Cover w/Sight Glass	48	39683	Contrast Disc
9	39473	Pump Head	29	39548	O-Ring Ø 66.34 x 2.62 (2)	49	39688	Seal
10	40278	O-Ring Ø 23.81 x 2.62	30	39568	Bearing (2)	50	40198	Pump Support Bracket
11	39483	Plug 3/4" G	31	39573	Con-Rod (89 in/lbs) (3)	51	48187	Vibration Mount (2)
12	39433	Plug 3/8" G (3)	32	39698	Con-Rod Bolt (6)	52	60080	Lock Washer 11/32" (6)
13	39493	O-Ring Ø 14 x 1.78 (3)	33	39693	Lock Washer (6)	53	60230	Hex Nut 5/16" - 18 (6)
14	39498	Gasket w/Ring (3)	34	39583	Key	54	40183	Hex Cap Screw w/Washer M10 x 12 (2)
15	39503	Front Piston Guide (3)	35	39578	Crankshaft 24mm	55	39703	Valve Kit
16	39508	Piston Guide (3)	36	39383	Oil Cap	56	39708	Piston Kit
17	39513	Gasket (3)	37	39608	O-Ring Ø 132 x 3	57	39713	Water Seal Kit
18	39518	O-Ring Ø 34.65 x 1.78 (3)	38	39613	Bolt M6 x 16 (89 in/lbs) (6)	58	39718	Oil Seal Kit
19	39638	Seal (3)	39	39618	Complete Cover			

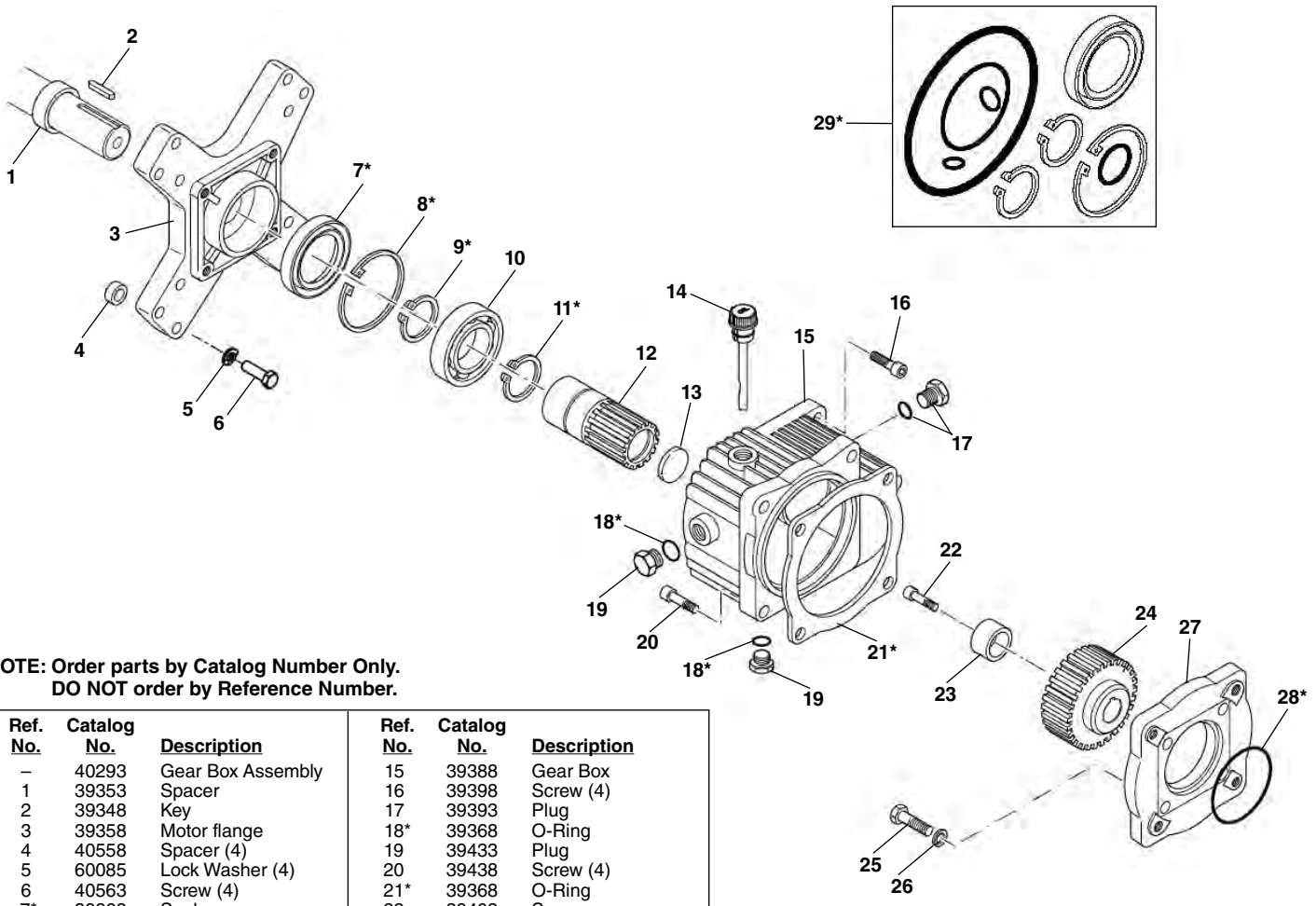
Cart with Hose Reel



**NOTE: Order parts by Catalog Number Only.
DO NOT order by Reference Number.**

Ref. No.	Catalog No.	Description
1	60827	Hand Grip (2)
2	27588	Operators Manual Tube
3	54562	Tool Ring
4	27593	Cap
5	66017	Handle Assembly
6	60677	Hairpin (2)
7	27017	Screw, Self Tapping #12-24 x 3/4" (2)
8	47972	Latch
9	60622	Mounting Knob (2)
10	66027	Square Plug (2)
11	40188	Frame
12	23597	Wheel (2)
13	60050	Retaining Ring (6)
14	40193	Axle
15	43992	Hex Screw 3/8"-16 x 2" (4)
16	59970	Flat Washer 3/8" (4)
17	60085	Lock Washer 3/8" (4)
18	60395	Hex Nut 3/8" (4)
19	40228	Engine Warning Label
20	40223	Instruction Label
21	61470	Rubber Plug (2)
22	40213	Model Number Label
23	64862	H-38 Hose Reel Assembly

Gearbox



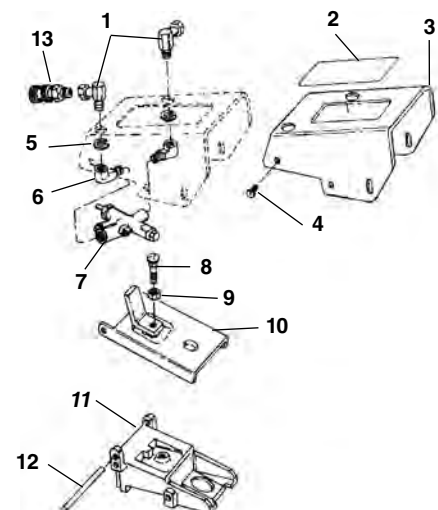
**NOTE: Order parts by Catalog Number Only.
DO NOT order by Reference Number.**

Ref. No.	Catalog No.	Description	Ref. No.	Catalog No.	Description
—	40293	Gear Box Assembly	15	39388	Gear Box
1	39353	Spacer	16	39398	Screw (4)
2	39348	Key	17	39393	Plug
3	39358	Motor flange	18*	39368	O-Ring
4	40558	Spacer (4)	19	39433	Plug
5	60085	Lock Washer (4)	20	39438	Screw (4)
6	40563	Screw (4)	21*	39368	O-Ring
7*	39368	Seal	22	39403	Screw
8*	39368	Circlip	23	39408	Spacer
9*	39368	Circlip	24	39413	Gear
10	39373	Bearing	25	39428	Screw (4)
11*	39368	Circlip	26	39423	Washer (4)
12	39378	Pinion	27	39418	Flange
13	40568	Cover	28*	39368	O-Ring
14	39383	Oil Plug with O-Ring	29*	39368	Service Kit

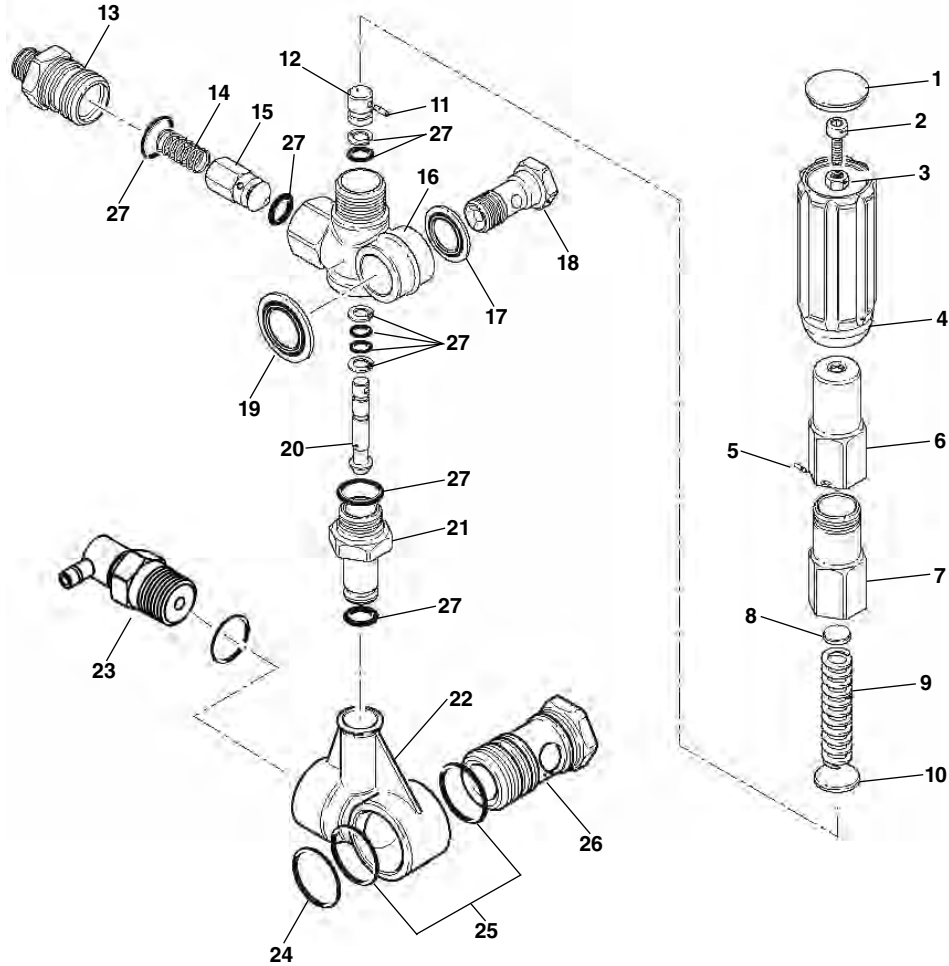
* Sold in Ref # 29 Service Kit only.

FV-1 Foot Valve

Ref. No.	Catalog No.	Description
—	48157	Foot Valve Complete, FV-1
1	49787	Elbow w/Swivel, 1/4" NPT (2)
2	49777	Decal, Model No.
3	49772	Cover
4	36787	Screw, Self Tapping, #10 (4)
5	49792	Lock Washer 3/16" (2)
6	49797	Street EL, 1/4" NPT(2)
7	49782	Valve Assembly
8	49802	Carriage Bolt, 1/4" NPT
9	47297	Lock Nut, 1/4" - 20
10	49767	Foot Pedal
11	36737	Base
12	36747	Pivot Pin
13	48117	Quick Connect - Female



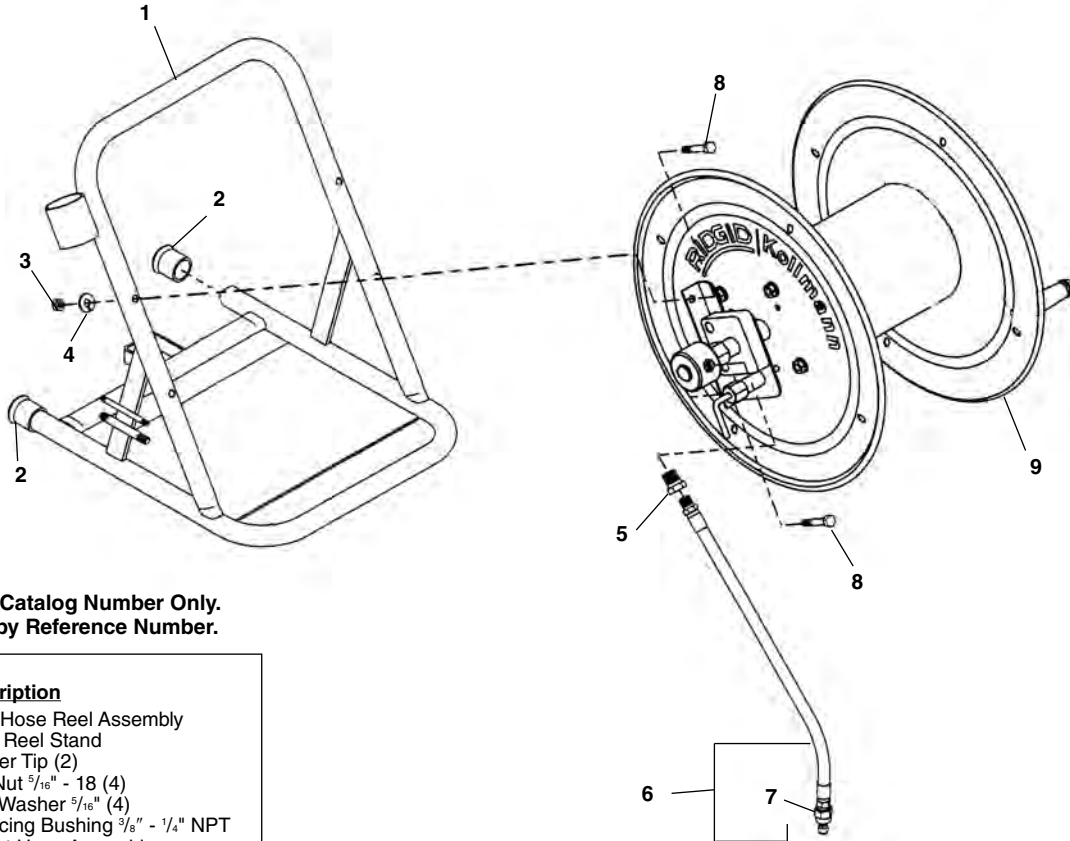
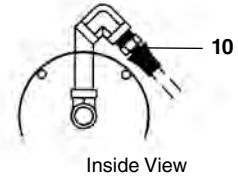
Unloader Valve - (Black Knob)



**NOTE: Order parts by Catalog Number Only.
DO NOT order by Reference Number.**

Ref. No.	Catalog No.	Description
-	40298	Unloader Complete
1	39878	Knob Plug
2	39883	Bolt
3	39888	Nut
4	39893	Handle
5	39898	Pin
6	39903	Adjusting Screw
7	39908	Spring Guide
8	39913	Plate
9	39918	Spring
10	39923	Spring Plate
11	39928	Pin
12	39933	Upper Piston
13	40238	Brass Adaptor 3/8" G
14	39943	Spring
15	39938	Shutter Valve
16	39958	Valve Housing
*17	39953	Washer
18	39948	Fitting 3/8" G
*19	39963	Washer
20	39968	Lower Piston
21	39973	By-Pass Adaptor
22	39978	By-Pass Housing 3/4" G
23	40313	Thermal Relief
24	40278	O-Ring
25	40243	O-Ring (2)
26	39983	Brass Fitting 3/4" G
27	39993	Repair Kit (Incl in Kit)

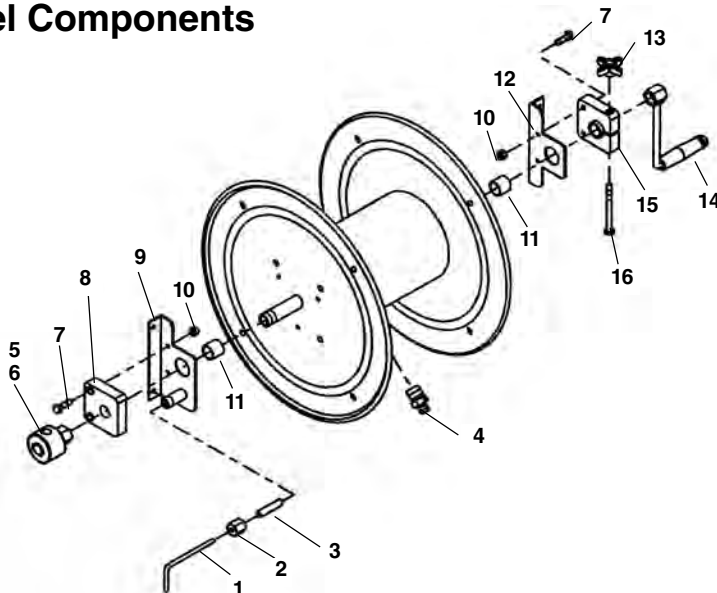
H-38 Reel Assembly



**NOTE: Order parts by Catalog Number Only.
DO NOT order by Reference Number.**

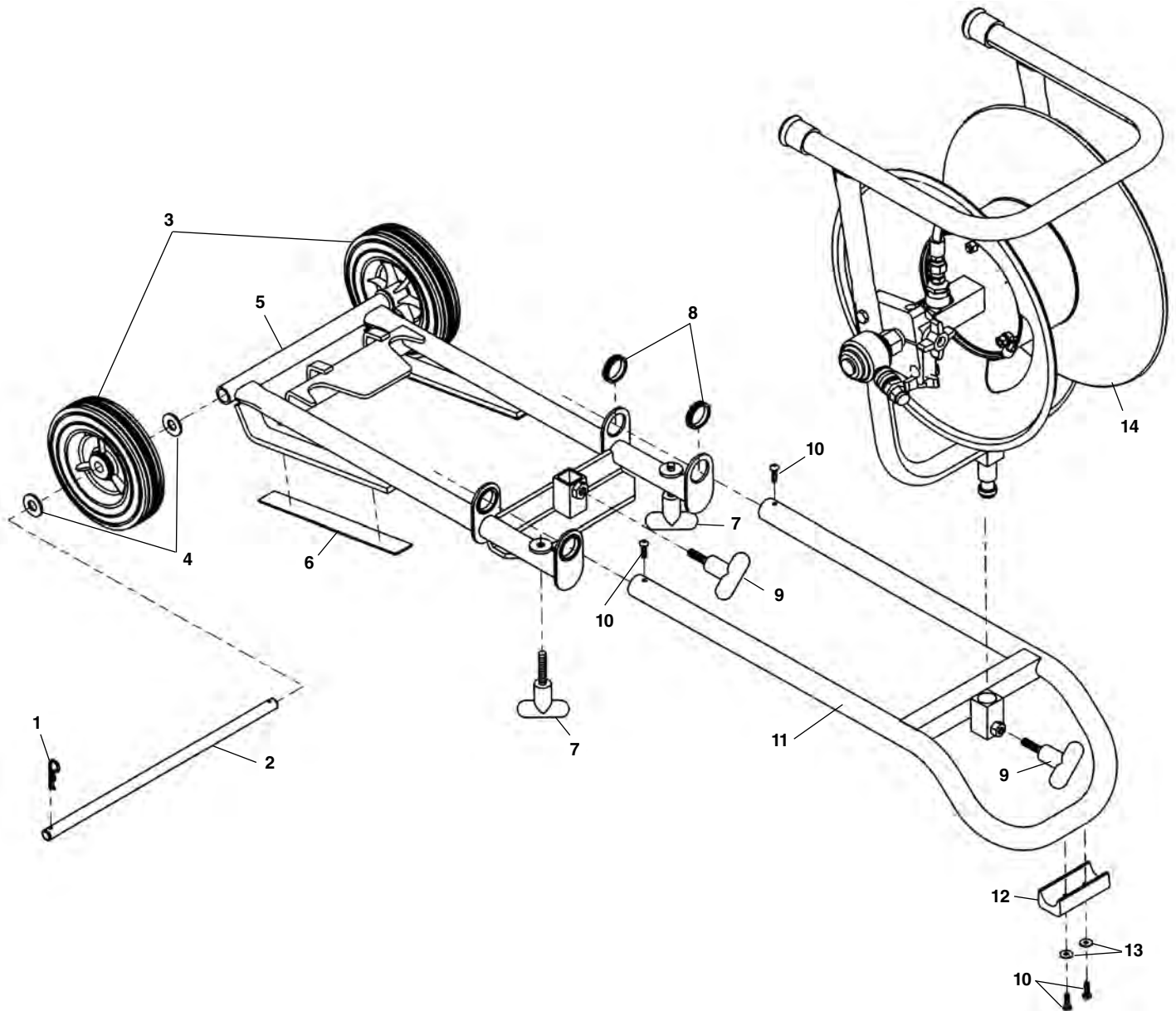
Ref. No.	Catalog No.	Description
—	64862	H-38 Hose Reel Assembly
1	66022	Hose Reel Stand
2	37962	Rubber Tip (2)
3	60230	Hex Nut $\frac{5}{16}$ " - 18 (4)
4	60080	Lock Washer $\frac{5}{16}$ " (4)
5	47987	Reducing Bushing $\frac{3}{8}$ " - $\frac{1}{4}$ " NPT
6	66047	Output Hose Assembly
7	48002	Quick Connect - Male
8	43847	Hex Screw $\frac{5}{16}$ " - 18 x $1\frac{1}{2}$ " (4)
9	48022	Hose Reel
10	35275	Spring

Reel Components



Ref. No.	Catalog No.	Description
—	48022	Hose Reel COMPLETE
1	67677	Reel Lock
2	67682	Lock Nut
3	67687	Sleeve
4	67692	Reducer Bushing, $\frac{1}{2}$ " - $\frac{1}{4}$ " NPT M
5	67697	Swivel Connector
6	67702	Service Kit, Swivel
7	85910	Hex Screw, $\frac{5}{16}$ " - 18 x 1" (2)
8	67707	Bearing Block, Plain
9	67712	Bracket, Lock Side
10	75110	Hex Nut, $\frac{5}{16}$ " - 18 (2)
11	67717	Spacer (2)
12	67727	Bracket, Plain
13	67732	Knob, Drag Brake
14	67737	Crank
15	67742	Bearing Block, Drag
16	67747	Hex Screw, $\frac{5}{16}$ " - 18 x $3\frac{1}{2}$ "

Cart with Hose Reel



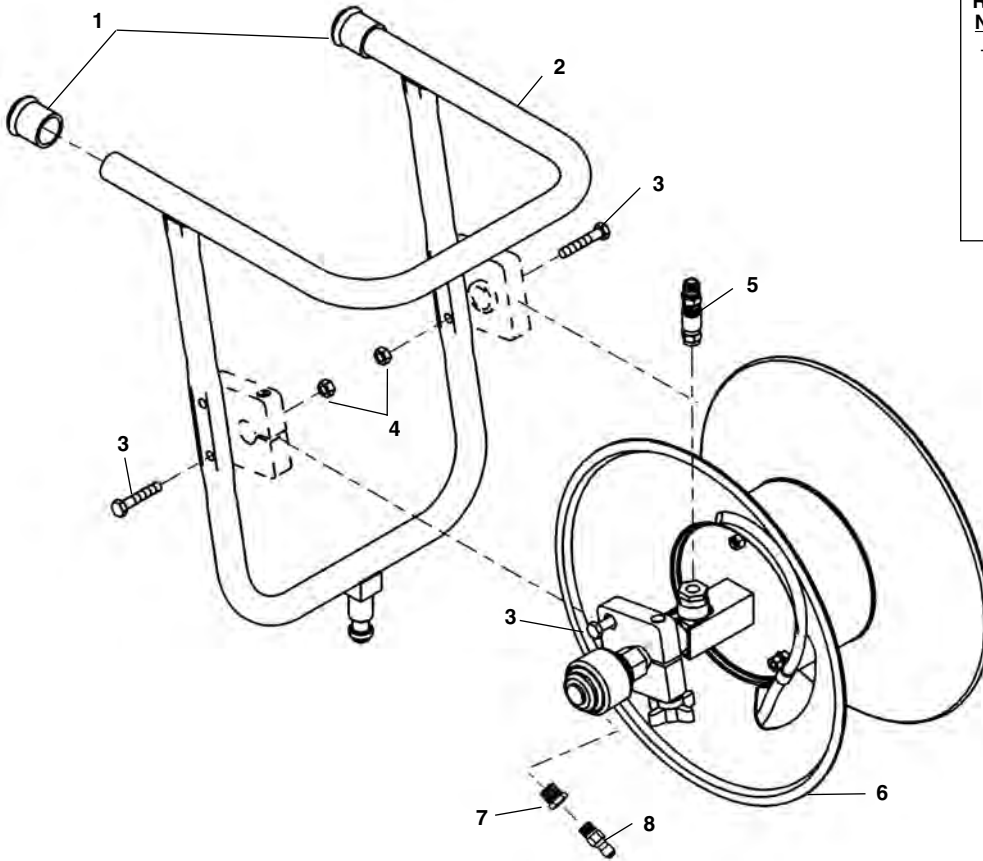
**NOTE: Order parts by Catalog Number Only.
DO NOT order by Reference Number.**

Ref. No.	Catalog No.	Description	Ref. No.	Catalog No.	Description
—*	64697	H-10 Cart Assembly	8	63987	Bushing (4)
1	64382	Hairpin Clip (2)	9	60622	Knob, T-Handle
2	63997	Axle	10	59990	Screw
3	64002	Wheel	11	64012	Cart Handle
4	60847	Washer	12	64017	Handle Foot
5	63982	Cart Base	13	84720	Washer
6	63992	Pad (2)	14	62882	H-5 Hose Reel Assembly
7	64007	Knob, T-Handle			

* Requires the H-10A Adapter Kit, #62897, to mount the KJ-1750.

H-5 Hose Reel Assembly

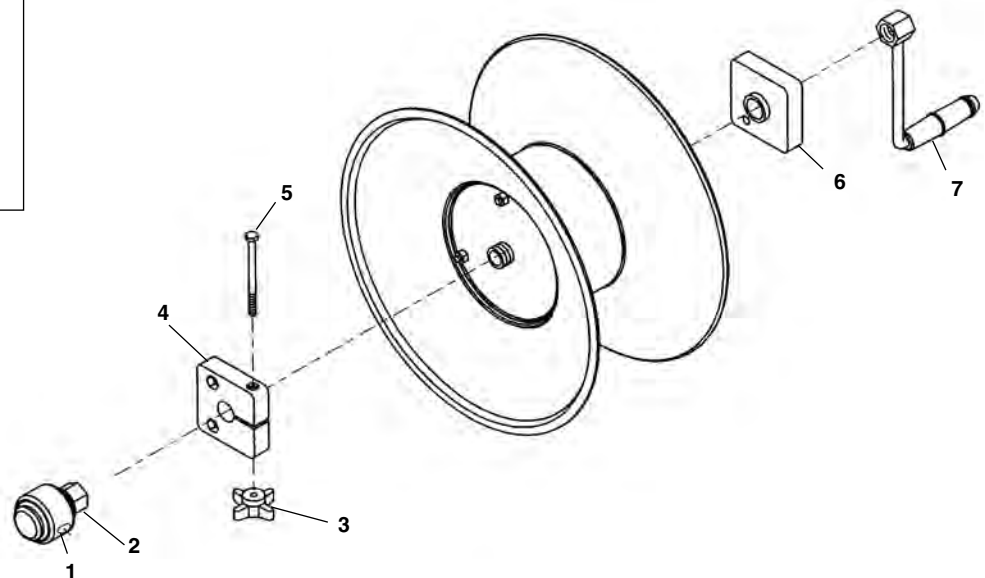
**NOTE: Order parts by Catalog Number Only.
DO NOT order by Reference Number.**



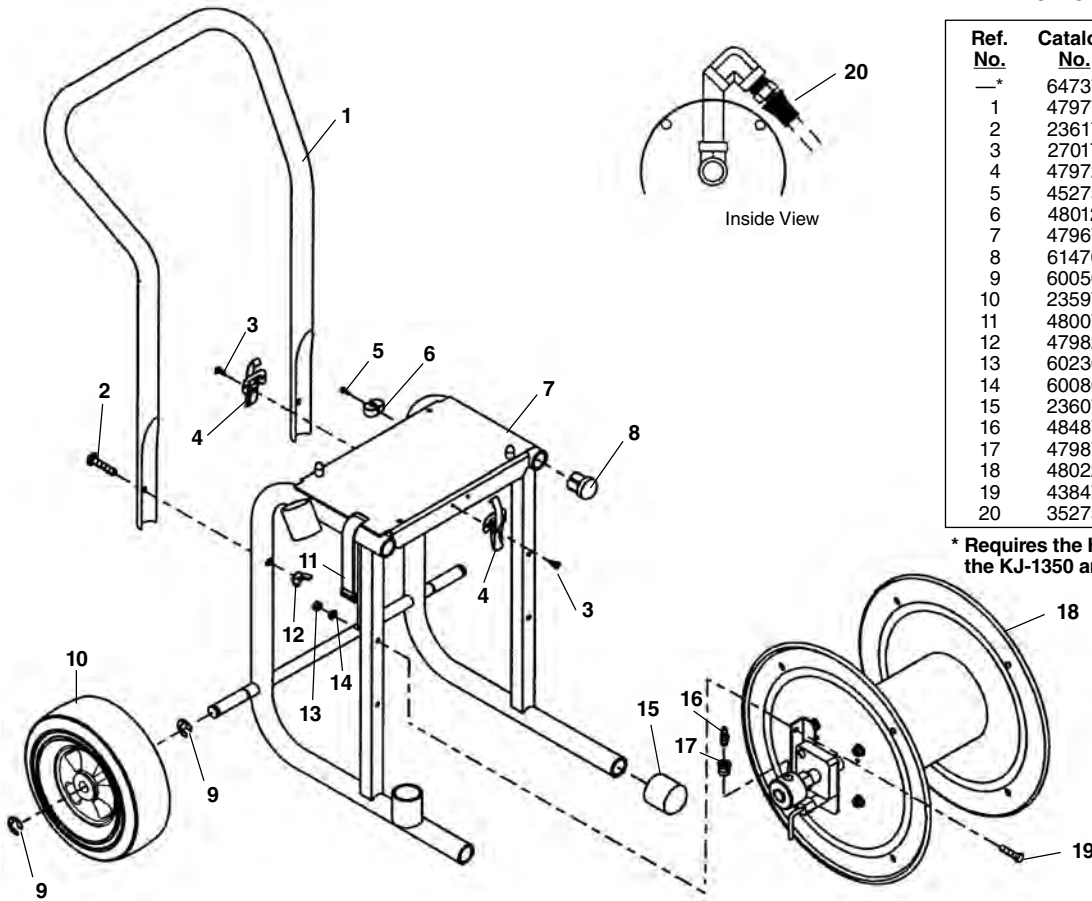
Ref. No.	Catalog No.	Description
—	62882	H-5 Hose Reel Assembly
1	37962	Rubber Foot
2	64022	Frame, Hose Reel
3	89870	Hex Screw, 5/16" - 18 x 1 3/4"
4	75110	Hex Lock Nut, 5/16" - 18
5	64032	Hex Nipple, 1/4"
6	64027	Hose Reel COMPLETE
7	47987	Reducer Bushing, 3/8M x 1/4F
8	48487	Quick Connect, Male

Hose Reel Components

Ref. No.	Catalog No.	Description
—*	64027	Hose Reel COMPLETE
1	67697	Swivel Connector
2	67702	Seal Kit, Swivel
3	67732	Knob, Drag Brake
4	67742	Bearing Block, Drag
5	67747	Hex Screw, 5/16" - 18 x 3 1/2"
6	67707	Bearing Block, Plain
7	67737	Crank



Cart with Hose Reel

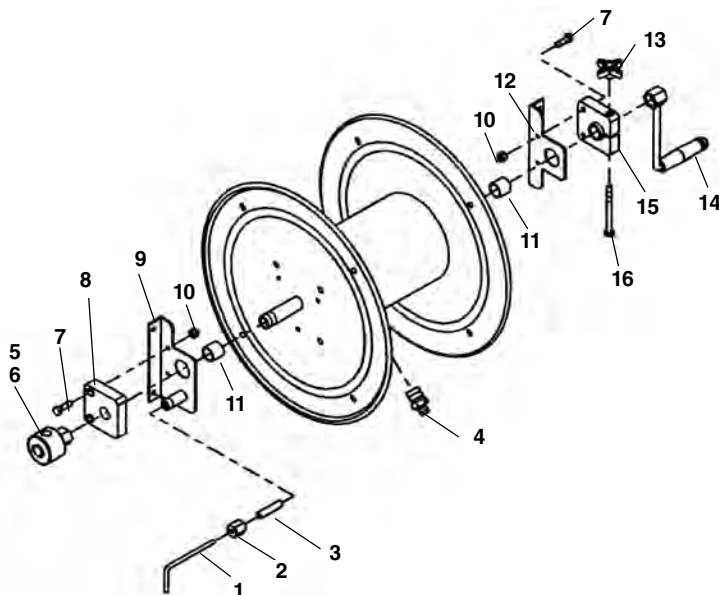


NOTE: Order parts by Catalog Number Only. DO NOT order by Reference Number.

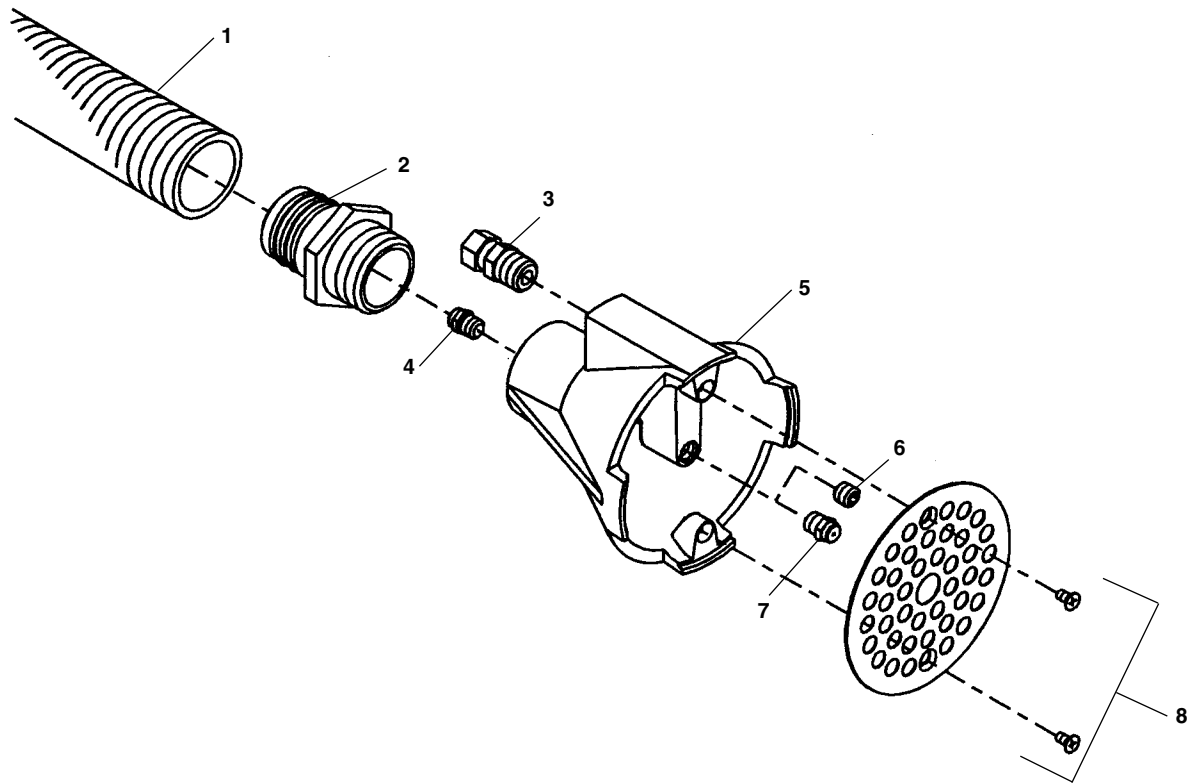
Ref. No.	Catalog No.	Description
—*	64737	H-30 Cart with Hose Reel
1	47977	Cart Handle
2	23617	Carriage Bolt, 3/8" – 16 x 2" (2)
3	27017	Screw, #12 – 24 x 5/8" (4)
4	47972	Latch (2)
5	45275	Screw, #10 – 24 x 1/2"
6	48012	Spring Clip
7	47967	Frame Weldment
8	61470	Rubber Plug
9	60050	Retaining Ring (4)
10	23597	Wheel (2)
11	48007	Cinch Strap
12	47982	Wing Nut, 3/8" (2)
13	60230	Hex Nut, 5/16" (4)
14	60080	Lock Washer 3/16" (4)
15	23607	End Cap (2)
16	48487	Quick Connect, Male 1/4" NPT
17	47987	Reducer Bushing, 3/8" – 1/4" NPT F
18	48022	Hose Reel Complete
19	43847	Hex Screw, 5/16" – 18 x 1 1/2" (4)
20	35275	Spring

* Requires the H-30A Adapter Kit, #62892, to mount the KJ-1350 and KJ-1750 Export Jettors.

Reel Components

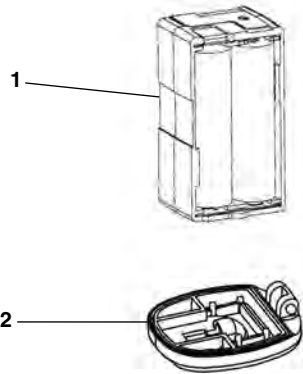
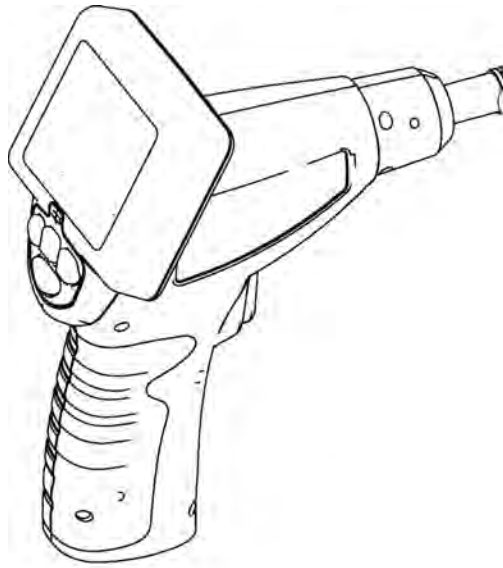


Ref. No.	Catalog No.	Description
—	48022	Hose Reel COMPLETE
1	67677	Reel Lock
2	67682	Lock Nut
3	67687	Sleeve
4	67692	Reducer Bushing, 1/2" – 1/4" NPT M
5	67697	Swivel Connector
6	67702	Service Kit, Swivel
7	85910	Hex Screw, 5/16" – 18 x 1" (2)
8	67707	Bearing Block, Plain
9	67712	Bracket, Lock Side
10	75110	Hex Nut, 5/16" – 18 (2)
11	67717	Spacer (2)
12	67727	Bracket, Plain
13	67732	Knob, Drag Brake
14	67737	Crank
15	67742	Bearing Block, Drag
16	67747	Hex Screw, 5/16" – 18 x 3 1/2"



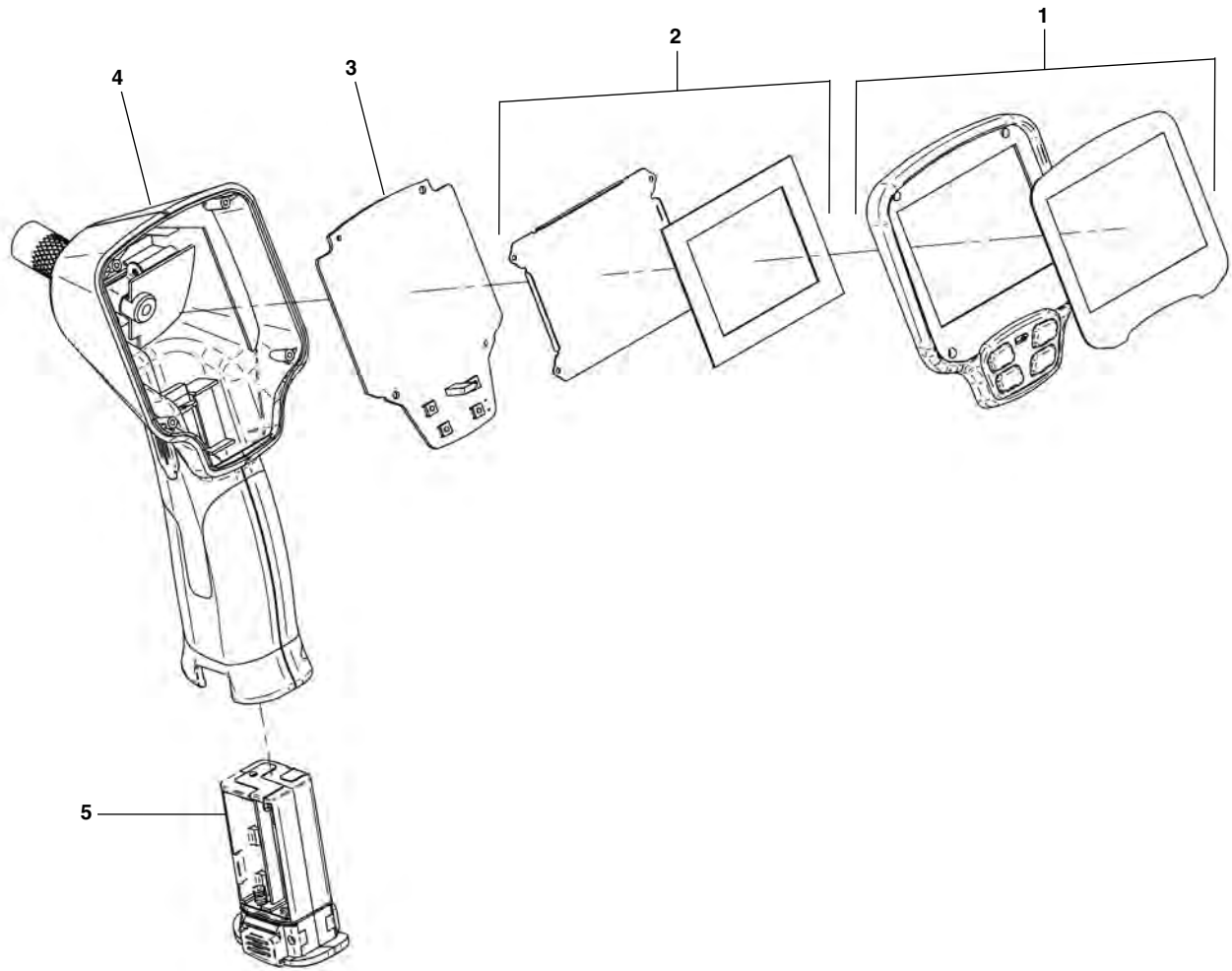
**NOTE: Order parts by Catalog Number only.
DO NOT order by Reference Number.**

Ref. No.	Catalog No.	Description
—	67187	H-32 Jet Vac
1	73862	Jet Vac Hose
2	73867	Hose Barb
3	73872	1/4" Hose Connector
4	73877	#3 Jet Vac Nozzle
5	73892	Jet Vac Body
6	46815	1/8" NPT Pipe Plug
7	73882	#2 Jet Vac Nozzle
8	73887	Screen Assembly w/Screws



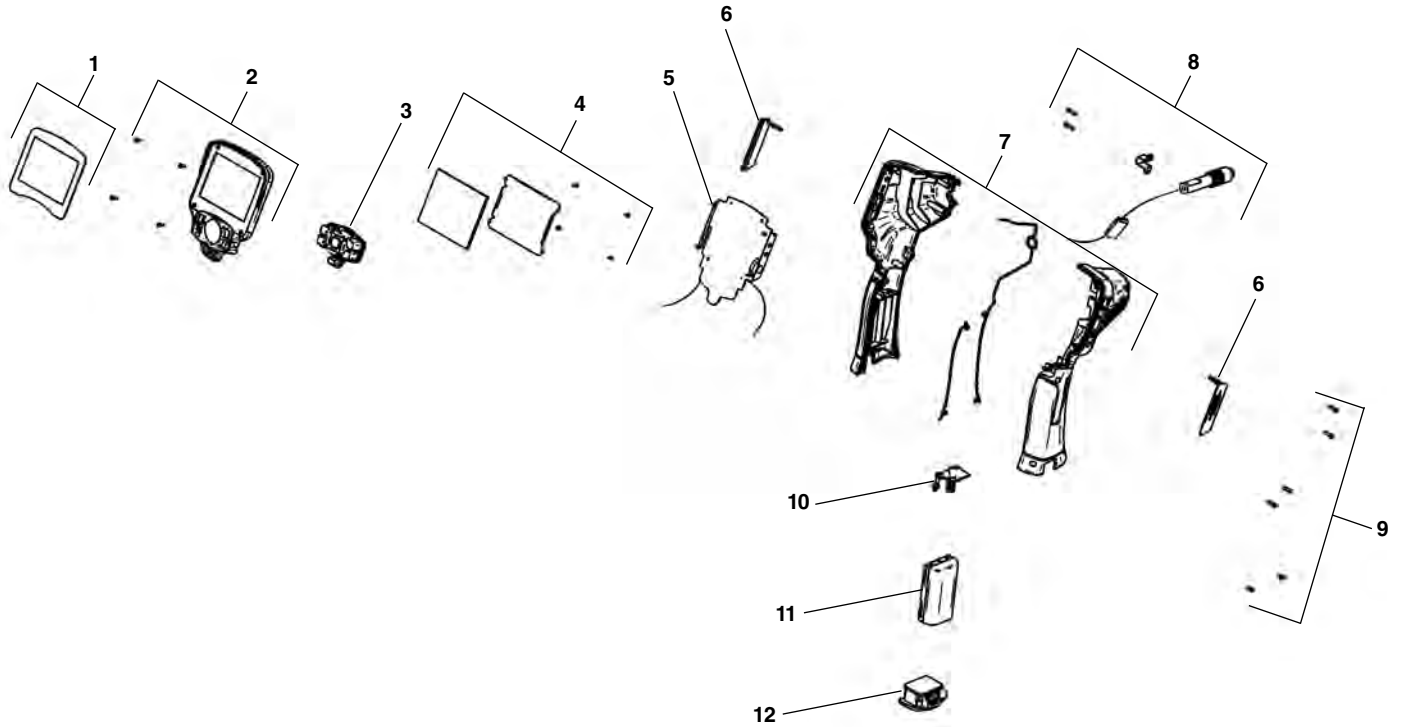
**NOTE: Order parts by Catalog Number only.
DO NOT order by Reference Number.**

Ref. No.	Catalog No.	Description
1	46763	Holder, CA-25 Battery
2	46768	Door, CA-25 Battery



**NOTE: Order parts by Catalog Number only.
DO NOT order by Reference Number.**

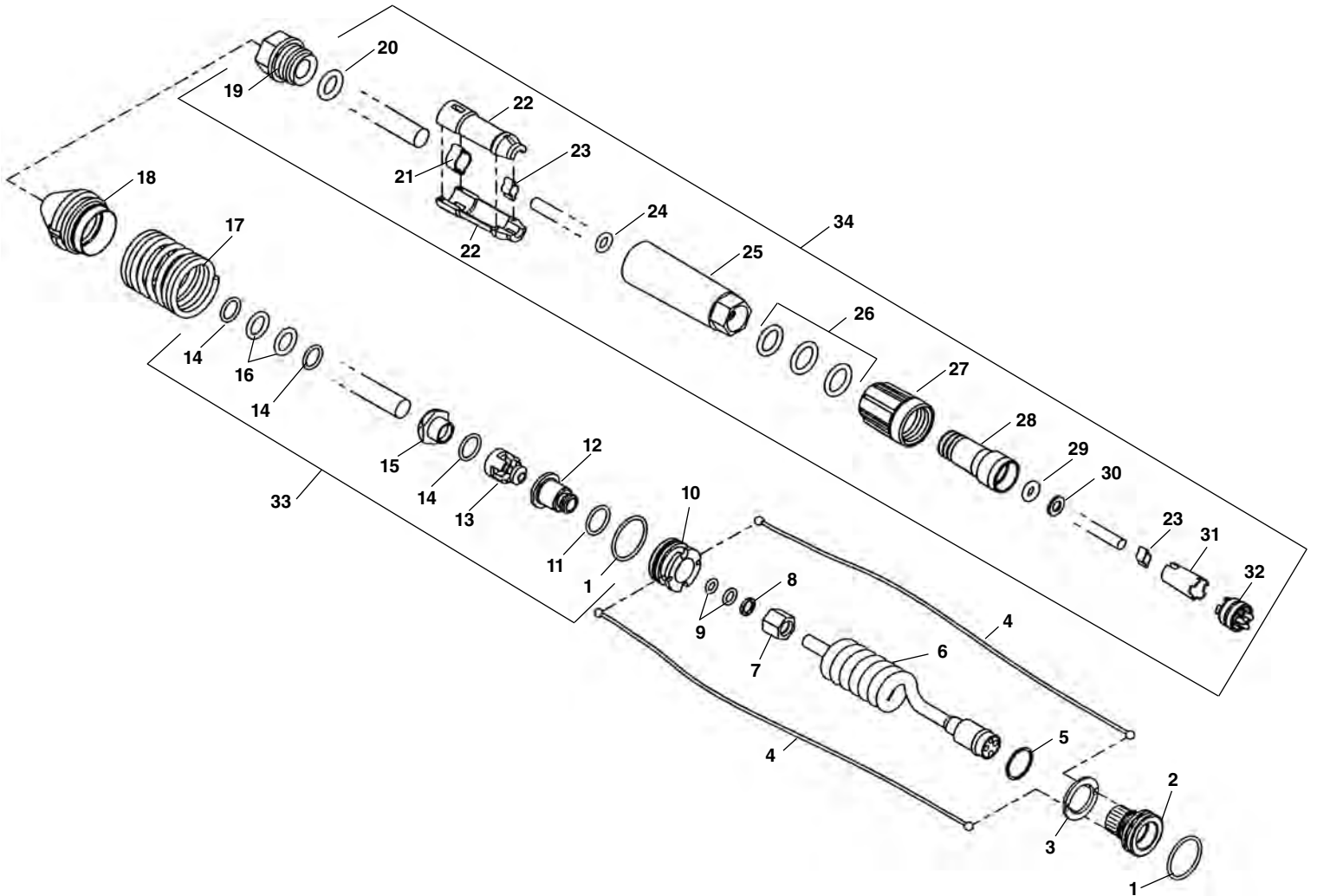
Ref. No.	Catalog No.	Description
-	36738	micro CA-100
1	40968	LCD Cover Assembly
2	40973	LCD Assembly
3	40978	PCB Assembly
4	40983	Handle Set
5	40993	Battery Holder Assembly
Items Not Shown		
	45943	micro CA-100 Case



**NOTE: Order parts by Catalog Number only.
DO NOT order by Reference Number.**

Ref. No.	Catalog No.	Description
1	44553	Window Display
2	44548	Top Cover Assembly
3	44538	Keypad
4	44543	LCD Screen Assembly
5	44518	PCB Assembly
6	44558	Port Covers
7	44563	Handle Set w/gasket
8	44528	Imager Cable Connector
9	44523	Screws (6)
10	44533	Battery PCB
11	37083	3.7V Battery
12	44513	Battery Door
Items Not Shown		
	37088	Battery Charger
	30208	Car Charger Adapter
	40028	AC Adapter (US)
	40053	AC Adapter (EU)
	40458	AC Adapter (AU)
	40463	AC Adapter (JP)
	42288	IC Adapter

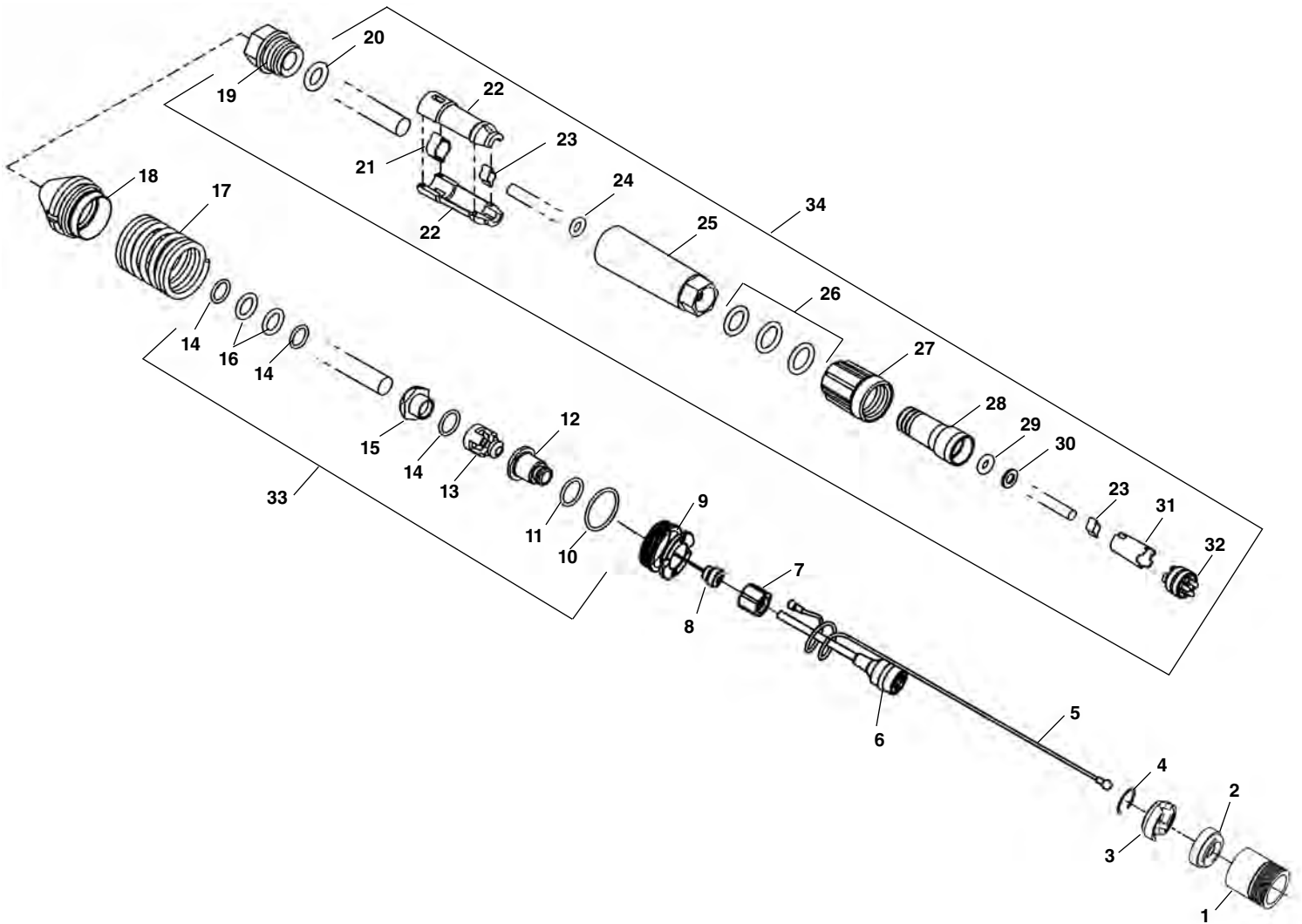
Regular Push Cable



**NOTE: Order parts by Catalog Number only.
DO NOT order by Reference Number.**

Ref. No.	Catalog No.	Description	Ref. No.	Catalog No.	Description
1	71482	O-Ring (2)	19	71657	Push Rod End Nut
2	71467	Locking Sleeve	20	71677	O-Ring
3	71477	Safe Ring	21	71667	Clamp
4	71247	Safety Cable (2)	22	71652	Inner Clam Shell (2)
5	71472	Back Up Ring	23	71607	Clamp (2)
6	71297	Camera Whip	24	71672	O-Ring
7	71287	Compression Nut	25	71662	Main Shell
8	71272	Back Up Ring	26	71582	O-Ring (3)
9	71277	O-Ring	27	71602	Locking Sleeve
10	71292	Spring Sleeve Cap	28	71592	In Line Shell
11	71487	O-Ring	29	71577	O-Ring
12	71502	Wire Sleeve	30	71587	Washer
13	71507	Push Nut	31	71597	Internal Back Shell
14	71512	O-Ring (2)	32	71612	Male Insert Assembly
15	71282	Push Nut	33	62032	Wet End Retermination Kit
16	71517	O-Ring (2)	34	66802	Dry End Reterm Kit (Includes Ref. Nos. 26-32)
17	69987	Spring Assembly			
18	71302	Rear Spring Shell			

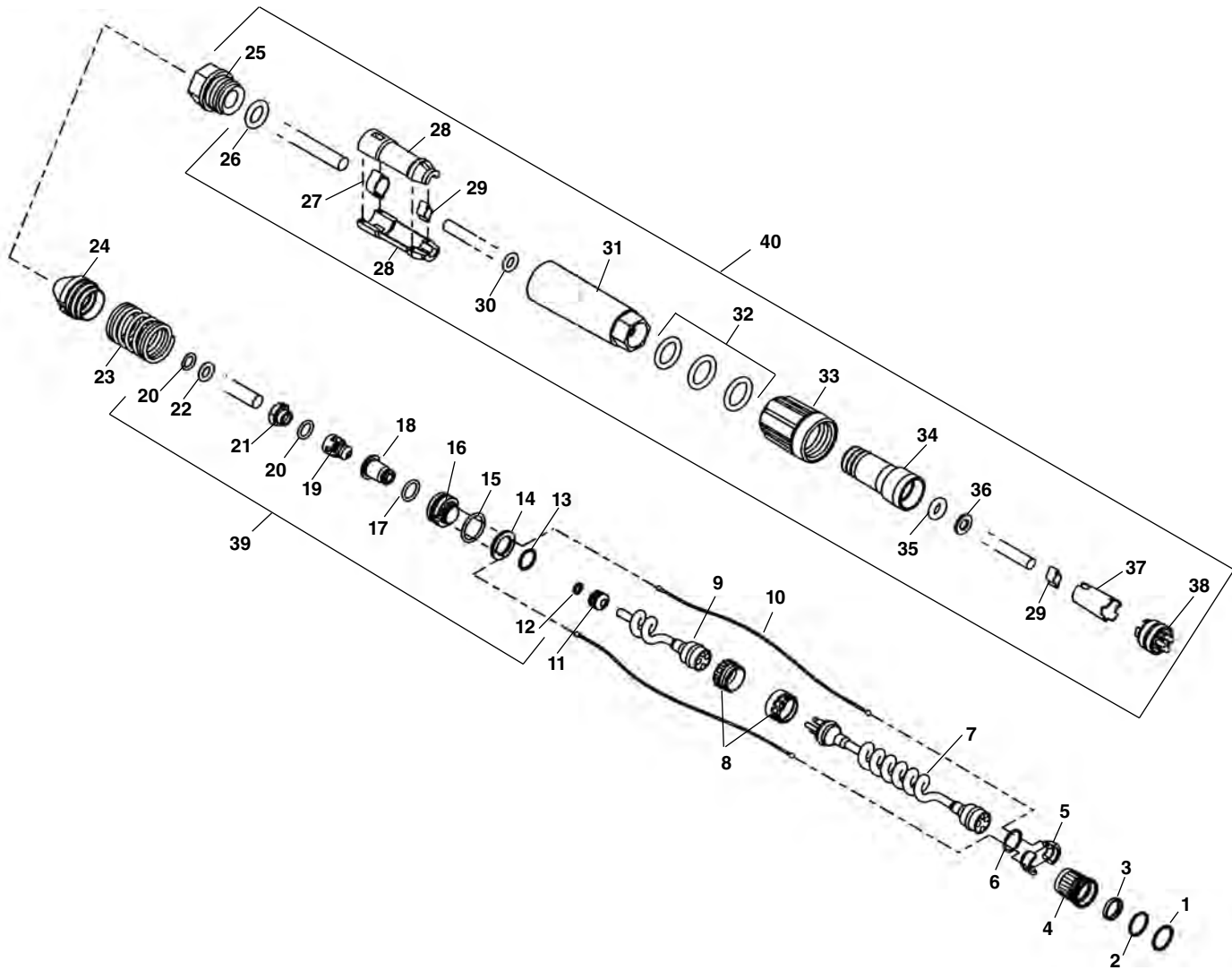
Regular Push Cable – Single Safety Cable



**NOTE: Order parts by Catalog Number only.
DO NOT order by Reference Number.**

Ref. No.	Catalog No.	Description	Ref. No.	Catalog No.	Description
1	20273	Locking Sleeve	20	71677	O-Ring
2	20288	Connector	21	71667	Clamp
3	20283	Connector W/Slot	22	71652	Inner Clam Shell (2)
4	20278	Retaining Ring	23	71607	Clamp (2)
5	18823	Safety Cable	24	71672	O-Ring
6	18818	Cord Asm.	25	71662	Main Shell
7	71287	Compression Nut	26	71582	O-Ring (3)
8	21928	Standard Compression Bushing	27	71602	Locking Sleeve
9	21958	Spring Sleeve Cap	28	71592	In Line Shell
10	71482	O-Ring	29	71577	O-Ring
11	71487	O-Ring	30	71587	Washer
12	71502	Wire Sleeve	31	71597	Internal Back Shell
13	71507	Push Bond	32	71612	Male Insert Assembly
14	71512	O-Ring (2)	33	62032	Wet End Retermination Kit
15	71282	Push Nut	34	66802	Dry End Reterm Kit
16	71517	O-Ring (2)			(Includes Ref. Nos. 26-32)
17	14823	Spring Assembly		21923	Inline Locking Sleeve
18	71302	Rear Spring Shell			(Not Shown)
19	71657	Push Rod End Nut			

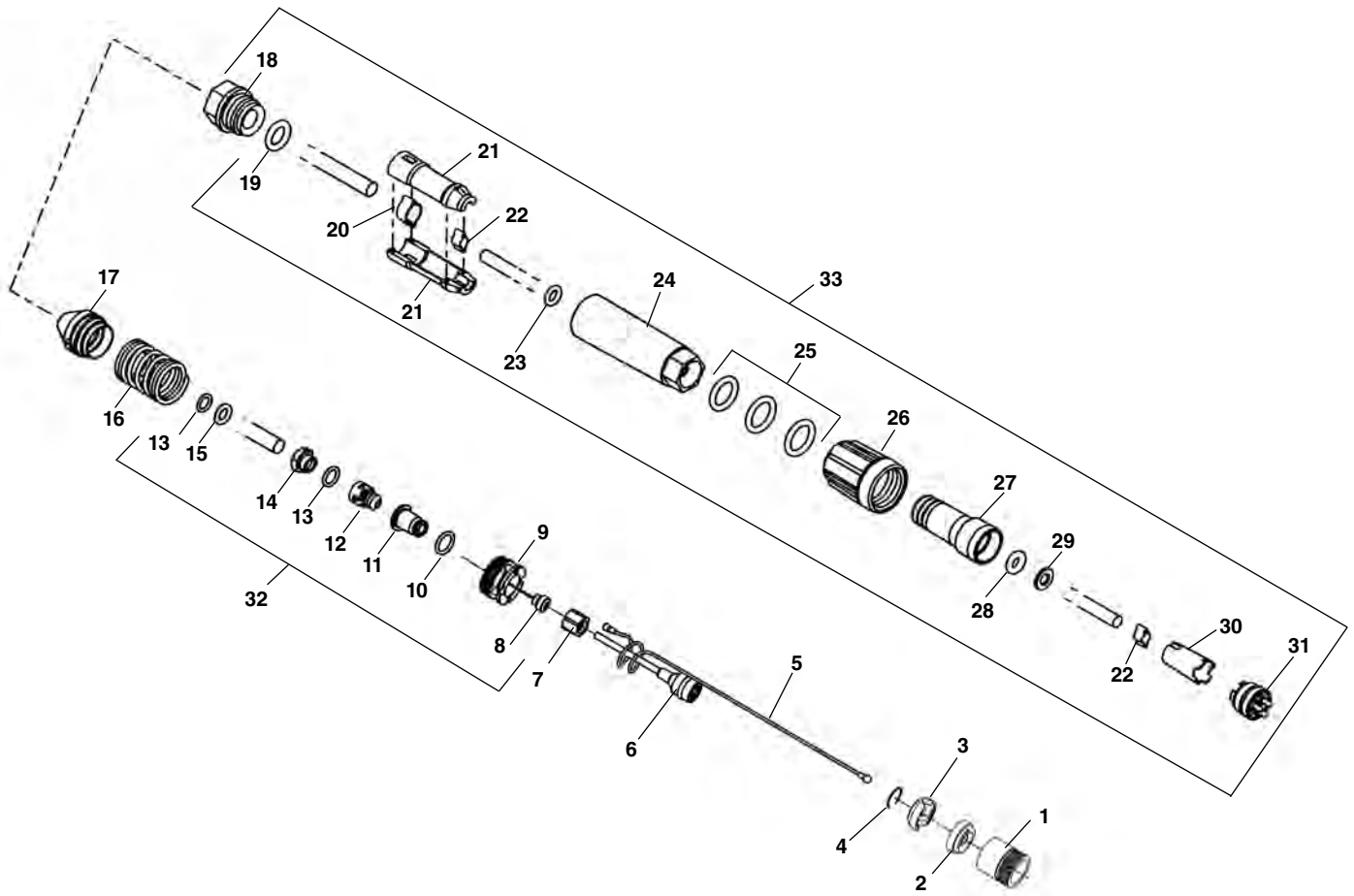
Mini Push Cable



**NOTE: Order parts by Catalog Number only.
DO NOT order by Reference Number.**

Ref. No.	Catalog No.	Description	Ref. No.	Catalog No.	Description
1	71012	Retaining Ring	22	71227	O-Ring
2	71007	Locking Sleeve Front Washer	23	70037	Spring Assembly - Mini
3	71017	Locking Sleeve Rear Washer	14973		Spring Assembly - Mini Color
4	71022	Conn. Locking Sleeve	24	71047	Rear Spring Shell
5	71027	Conn. Split Insert	25	71657	Push Rod End Nut
6	71002	Retaining Ring	26	71677	O-Ring
7	70982	Mini Coil Cord Assembly	27	71667	Clamp
8	84502	Locking Sleeves (Set of 4)	28	71652	Inner Clam Shell (2)
9	70987	Short Coil Cord Assembly	29	71607	Clamp (2)
10	70992	Safety Cable - Mini (2)	30	71672	O-Ring
11	71067	Compression Nut - Mini	31	71662	Main Shell
12	21908	Mini Compression Bushing	32	71582	O-Ring (3)
13	71237	Retaining Ring	33	71602	Locking Sleeve
14	71062	Cable Retainer - Mini	34	71592	In Line Shell
15	71242	O-Ring	35	71577	O-Ring
16	71057	Spring Cap	36	71587	O-Ring
17	71232	O-Ring	37	71597	Internal Back Shell
18	71052	Wire Sleeve - Mini	38	71612	Male Insert Assembly
19	71217	Mini Push Bond	39	71212	Mini Retermination Kit
20	71222	O-Ring (2)	15808		Mini Red Cable Retermination Kit
21	70997	Mini Push Nut	40	66802	Dry End Retermination Kit

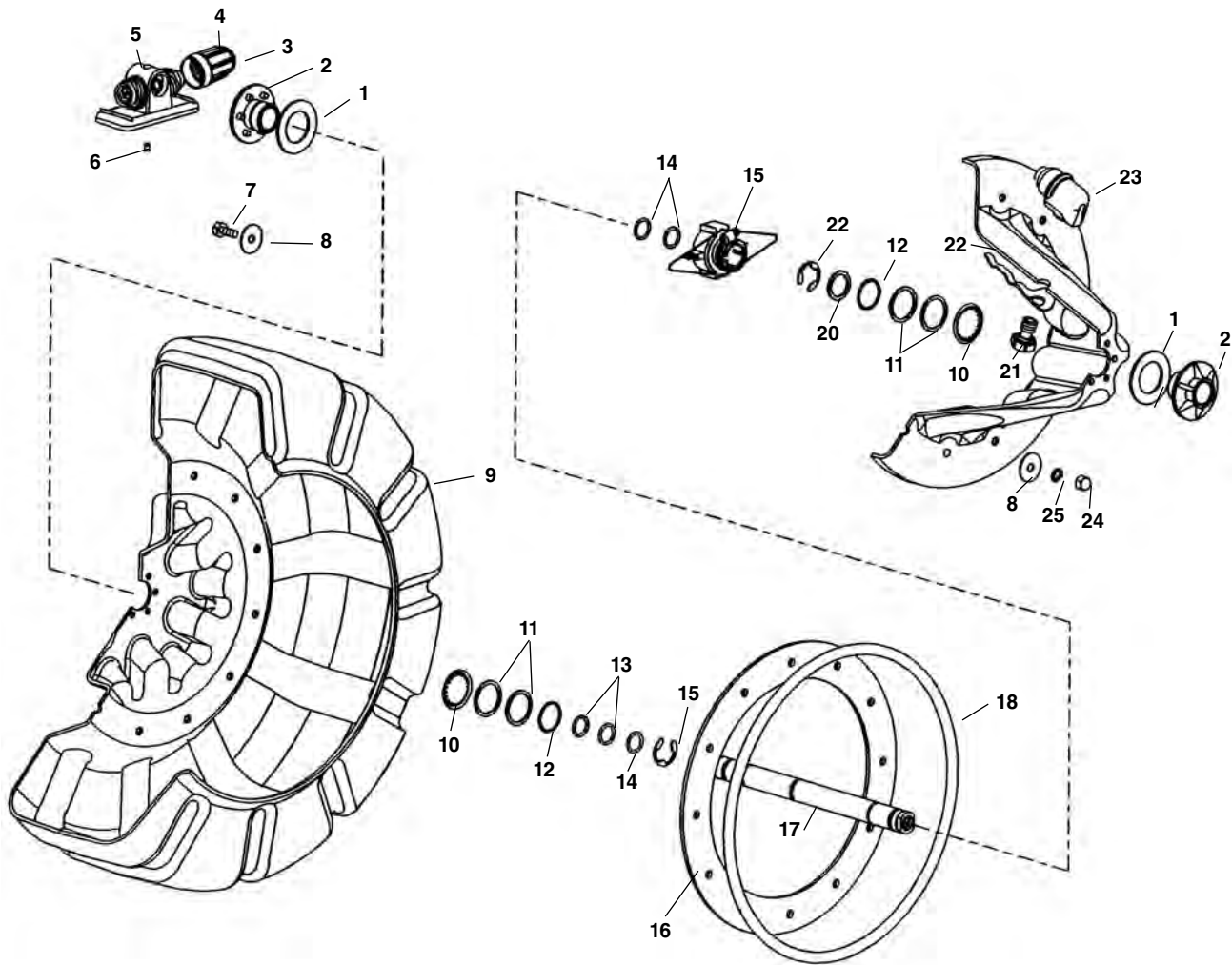
Mini Push Cable – Single Safety Cable



**NOTE: Order parts by Catalog Number only.
DO NOT order by Reference Number.**

Ref. No.	Catalog No.	Description	Ref. No.	Catalog No.	Description
1	20273	Locking Sleeve	18	71657	Push Rod End Nut
2	20288	Connector	19	71677	O-Ring
3	20283	Connector W/Slot	20	71667	Clamp
4	20278	Retaining Ring	21	71652	Inner Clam Shell (2)
5	18823	Safety Cable	22	71607	Clamp (2)
6	18818	Cord Asm	23	71672	O-Ring
7	71067	Compression Nut (Mini Cable)	24	71662	Main Shell
8	21908	Mini Compression Bushing	25	71582	O-Ring (3)
9	21913	Spring Sleeve Cap (Mini Cable)	26	71602	Locking Sleeve
10	71232	O-Ring	27	71592	In Line Shell
11	71052	Wire Sleeve - Mini	28	71577	O-Ring
12	24258	Mini Push Bond	29	71587	O-Ring
13	71222	O-Ring (2)	30	71597	Internal Back Shell
14	70997	Mini Push Nut	31	71612	Male Insert Assembly
15	71227	O-Ring	32	15808	Mini Red Cable Retermination Kit
16	22728	Spring Assembly - Mini B&W	33	66802	Dry End Retermination Kit
	22733	Spring Assembly - Mini Color		21923	Inline Locking Sleeve (Not Shown)
17	71047	Rear Spring Shell			

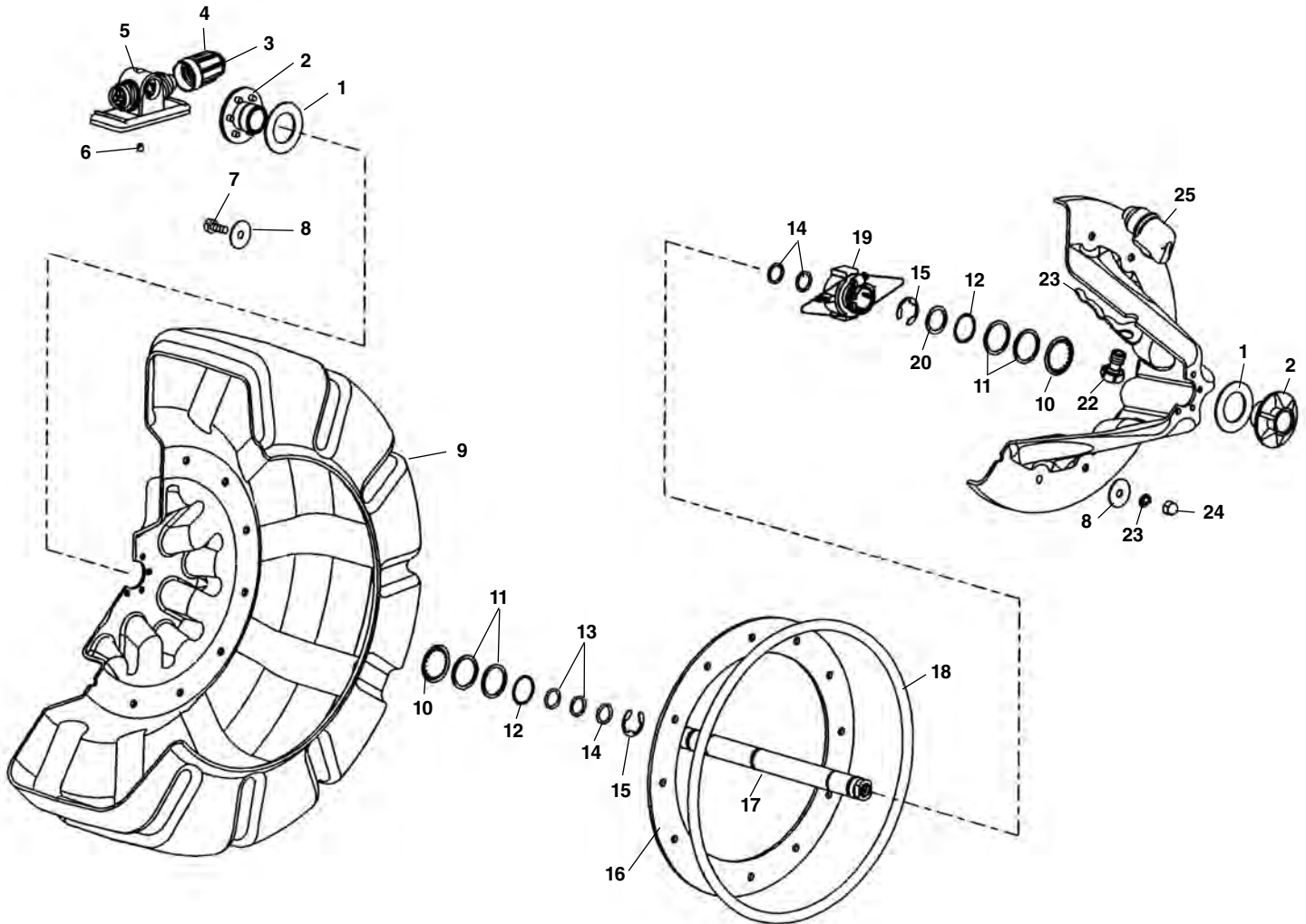
Regular Reel Assembly



**NOTE: Order parts by Catalog Number only.
DO NOT order by Reference Number.**

Ref. No.	Catalog No.	Description	Ref. No.	Catalog No.	Description
1	71557	Axle Gasket (2)	15	71102	Retaining Ring (2)
2	71552	Axle Bushing (2)	16	71542	Gasket Reg. System
3	71202	Dust Cover for Locking Sleeve	17	71567	Reel Axle
4	71172	Locking Sleeve	18	71547	Cone O-Ring
5	71167	Hub Assembly	19	71537	Slip Ring Assembly
6	71162	Screw	20	68267	Nylon Washer
7	71572	Screw (12)	21	71107	Bolt RA Welded Bulkhead
8	71192	Washer (24)	22	71117	Wire Clip
9	71987	Reel Assembly	23	71112	Bulkhead Assembly
10	71087	Retaining Ring (2)	24	71182	Nut (2)
11	71092	Nylon Washer (4)	25	71187	Lock Washer (12)
12	71097	Retaining Ring (2)	36148	36148	CountPlus Magnet and Carrier (Not Shown)
13	71132	O-Ring (2)			
14	71127	O-Ring (3)			

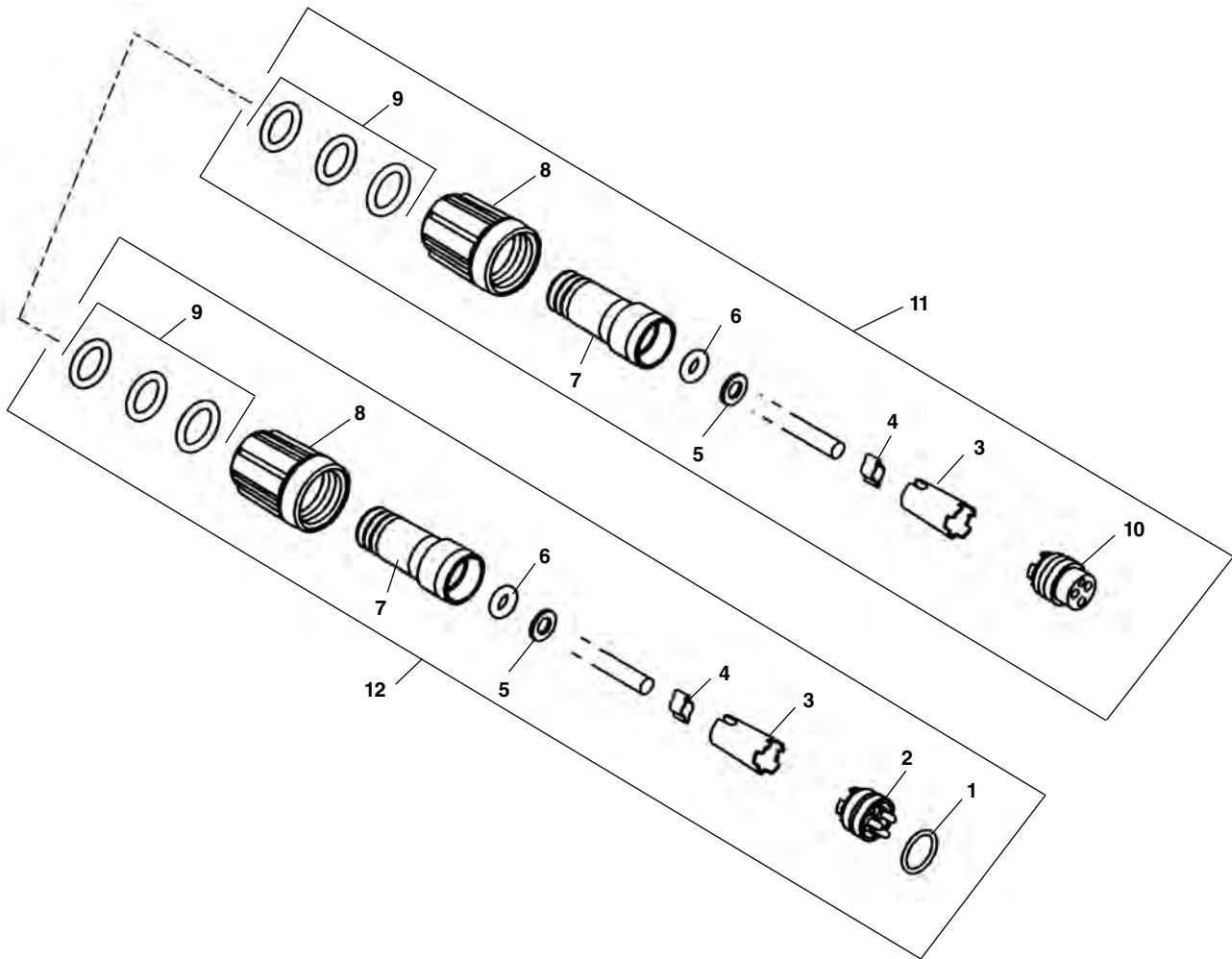
Mini Reel Assembly



**NOTE: Order parts by Catalog Number only.
DO NOT order by Reference Number.**

Ref. No.	Catalog No.	Description	Ref. No.	Catalog No.	Description
1	71557	Axle Gasket (2)	15	71102	Retaining Ring (2)
2	71552	Axle Bushing (2)	16	71142	Gasket
3	71202	Dust Cover for Locking Sleeve	17	71082	Reel Axle
4	71172	Locking Sleeve	18	71147	Cone O-Ring
5	71167	Hub Assembly	19	71537	Slip Ring
6	71162	Set Screw	20	71092	Nylon Washer
7	71152	Screw (12)	21	71117	Wire Clip
8	71192	Washer (24)	22	71107	Bolt RA Welded Bulkhead
9	71177	Reel Assembly	23	71187	Washer (12)
10	71087	Retaining Ring (2)	24	71182	Nut (12)
11	71092	Nylon Washer (4)	25	71112	Bulkhead Assembly
12	71097	Retaining Ring (2)	36148		CountPlus Magnet and Carrier (Not Shown)
13	71132	O-Ring (2)			
14	71127	O-Ring (3)			

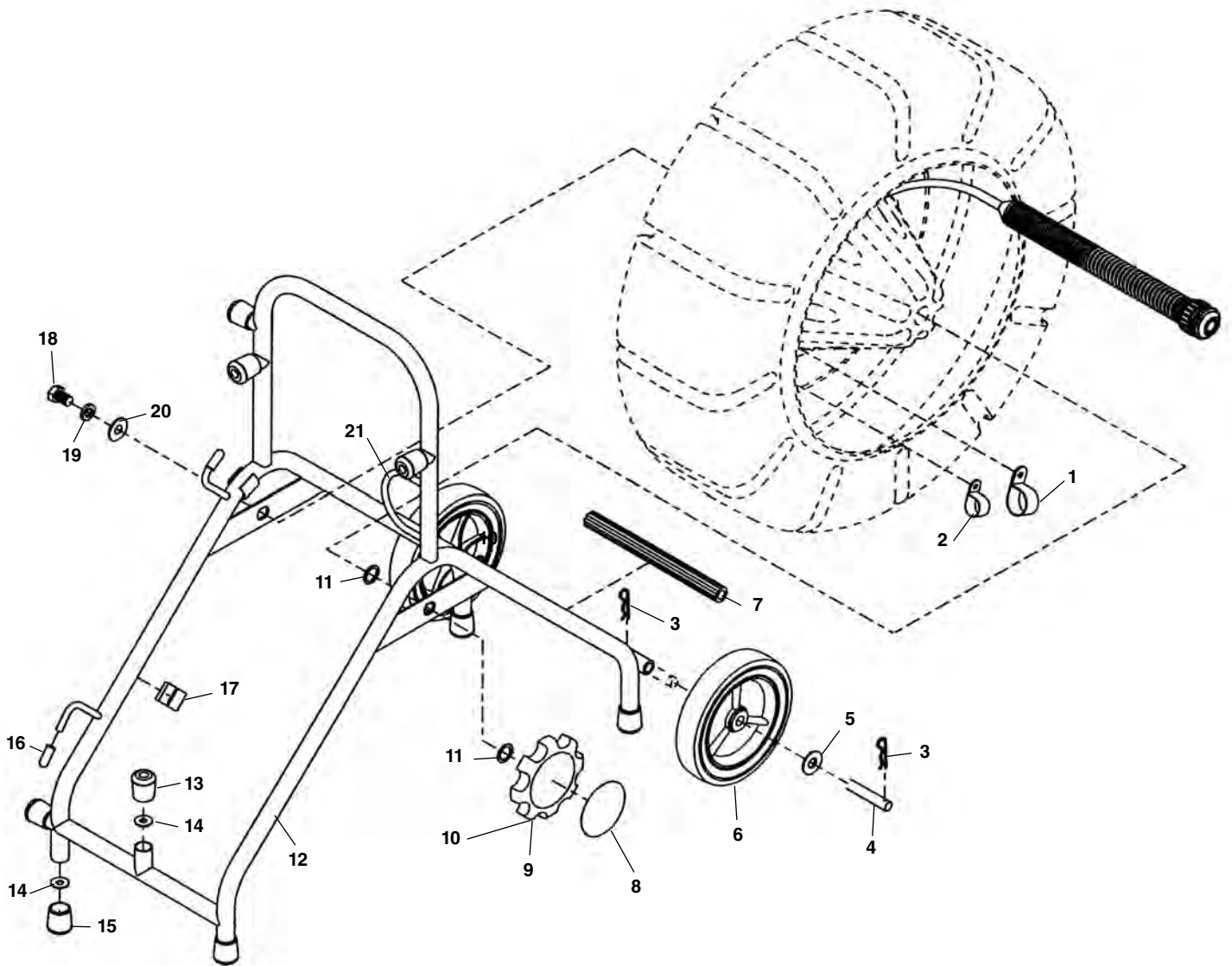
Interconnect Cord



**NOTE: Order parts by Catalog Number only.
DO NOT order by Reference Number.**

Ref. No.	Catalog No.	Description	Ref. No.	Catalog No.	Description
—	64627	Interconnect Cord 33'	6	71577	O-Ring (2)
—	67307	Interconnect Cord 10'	7	71592	In line Shell (2)
—	70907	Old Style Interconnect Cord 33'	8	71602	Locking Sleeve (2)
1	71487	O-Ring	9	71582	O-Rings (6)
2	71612	Male Insert	10	71617	Female Insert
3	71597	Internal Back Shell (2)	11	72817	Female Connector Assembly
4	71607	Clamp (2)	12	72822	Male Connector Assembly
5	71587	Washer (2)			

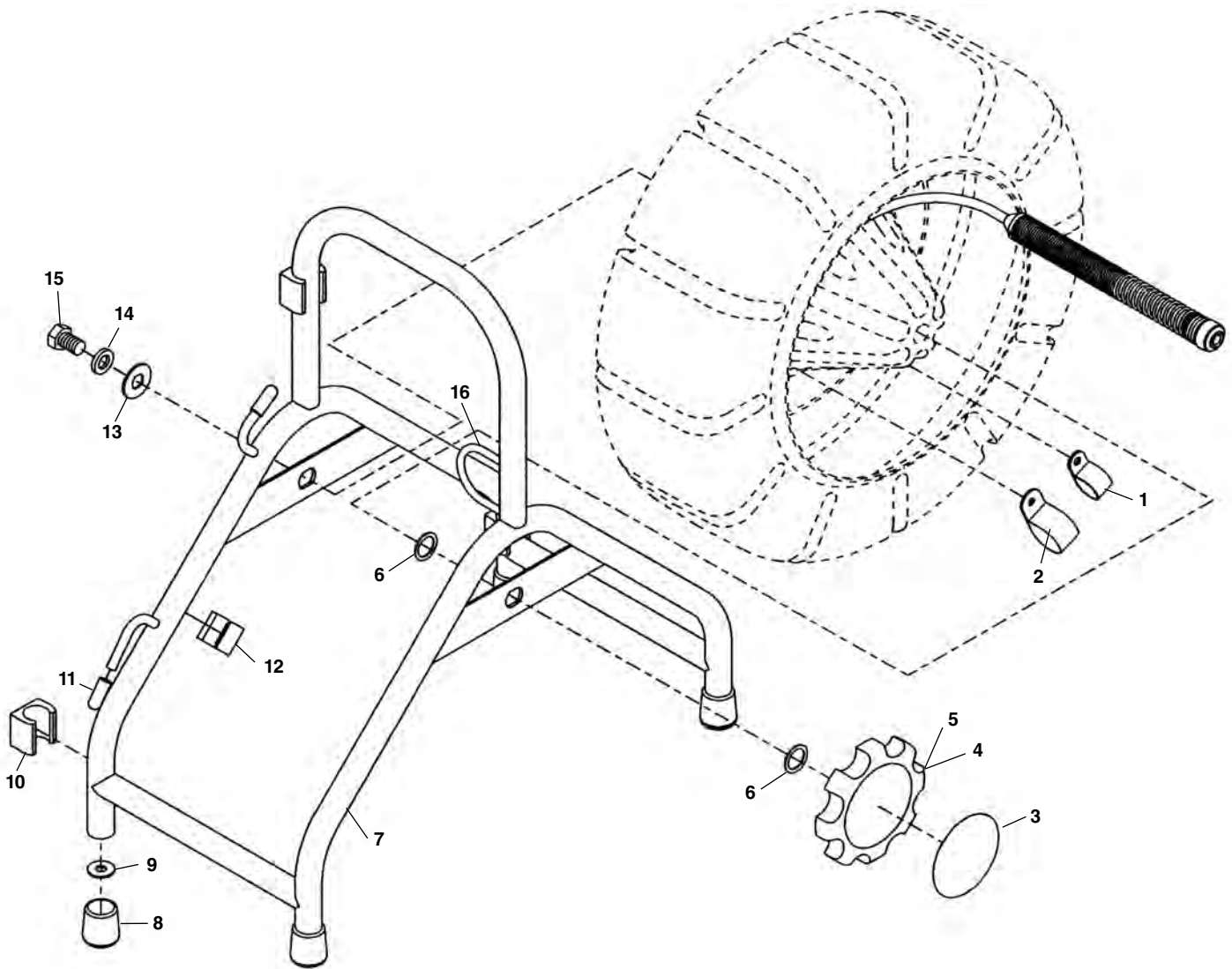
Regular Frame Assembly



**NOTE: Order parts by Catalog Number only.
DO NOT order by Reference Number.**

Ref. No.	Catalog No.	Description	Ref. No.	Catalog No.	Description
1	71262	1/2" Dry Clamp	12	66797	Frame
2	71267	7/8" Dry Clamp	13	72542	Rubber Cap (3)
3	68257	Axle Pin	14	72537	Back Up Washer (7)
4	68247	Axle	15	70042	Rubber Foot (7)
5	72527	Steel Washer	16	72562	End Cap (2)
6	68242	Wheel for SeeSnake (2)	17	72532	Wire Clip (2)
7	68252	Axle Spacer	18	72547	Rear Mount Bolt
8	71207	Decal for Tension Knob	19	72522	Lock Washer
9	68262	Tension Knob	20	72527	Flat Washer
10	72517	Bolt for Tension Knob	21	93387	Guide Loop
11	68267	Nylon Washer (2)			

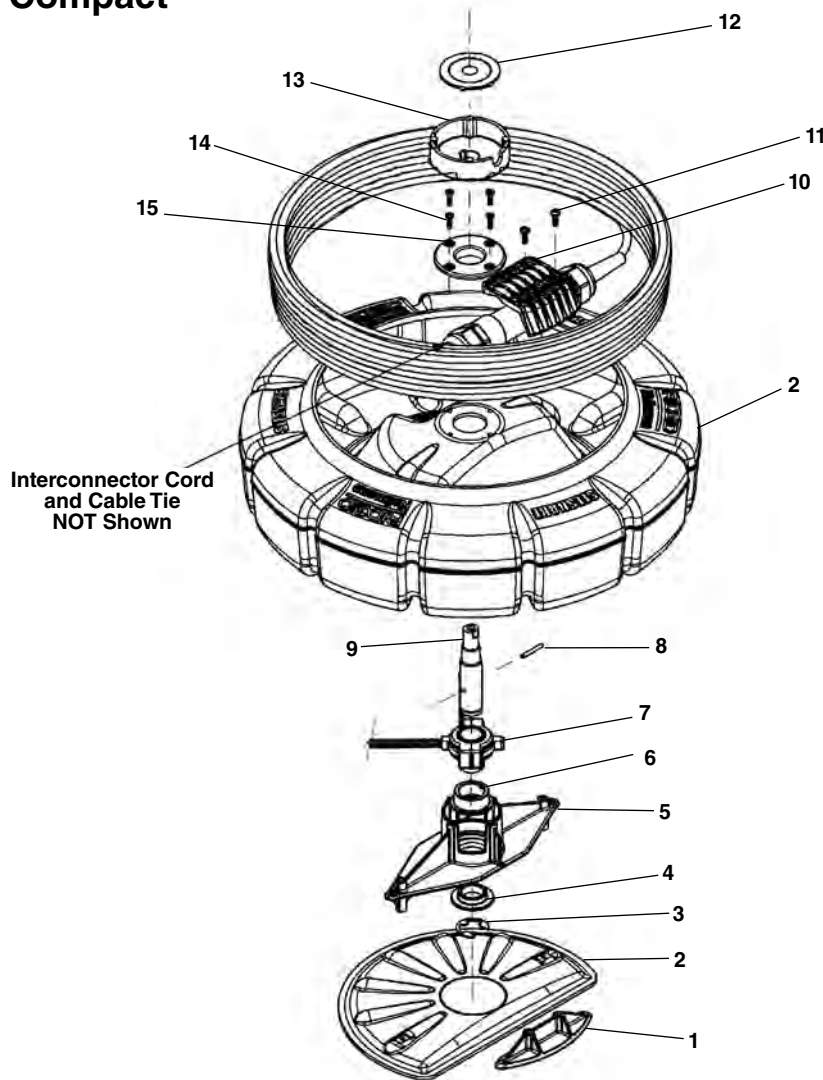
Mini Frame Assembly



**NOTE: Order parts by Catalog Number only.
DO NOT order by Reference Number.**

Ref. No.	Catalog No.	Description	Ref. No.	Catalog No.	Description
1	71262	1/2" Dry Clamp	9	72537	Back Up Washer (4)
2	71267	7/8" Dry Clamp	10	72557	Frame Bumper (3)
3	71207	Decal for Tension Knob	11	52928	Rubber End Cap (2)
4	68262	Tension Knob	12	72532	Wire Clip
5	72517	Bolt for Tension Knob	13	72527	Steel Washer
6	68267	Nylon Washer (2)	14	72522	Lock Washer
7	71647	Frame - Mini	15	72547	Rear Mount Bolt
8	70042	Rubber Foot (4)	16	93392	Guide Loop

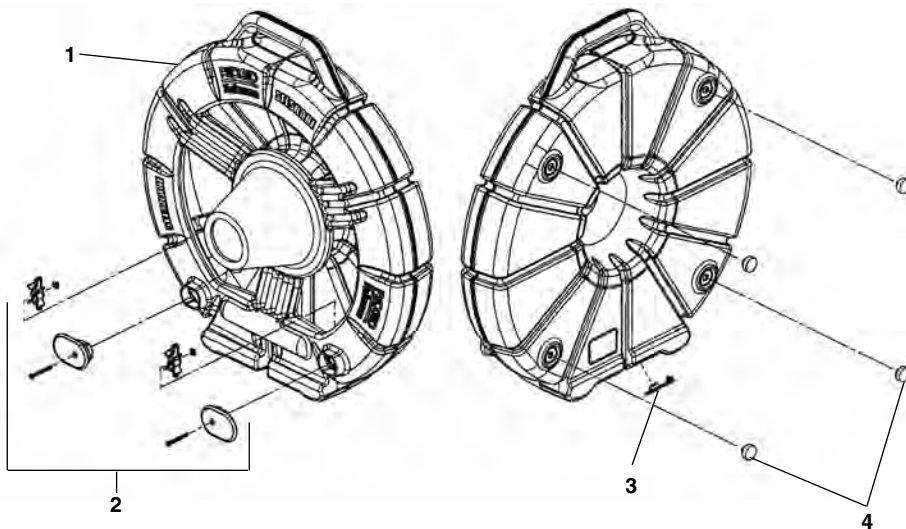
Compact



NOTE: Order parts by Catalog Number only. DO NOT order by Reference Number.

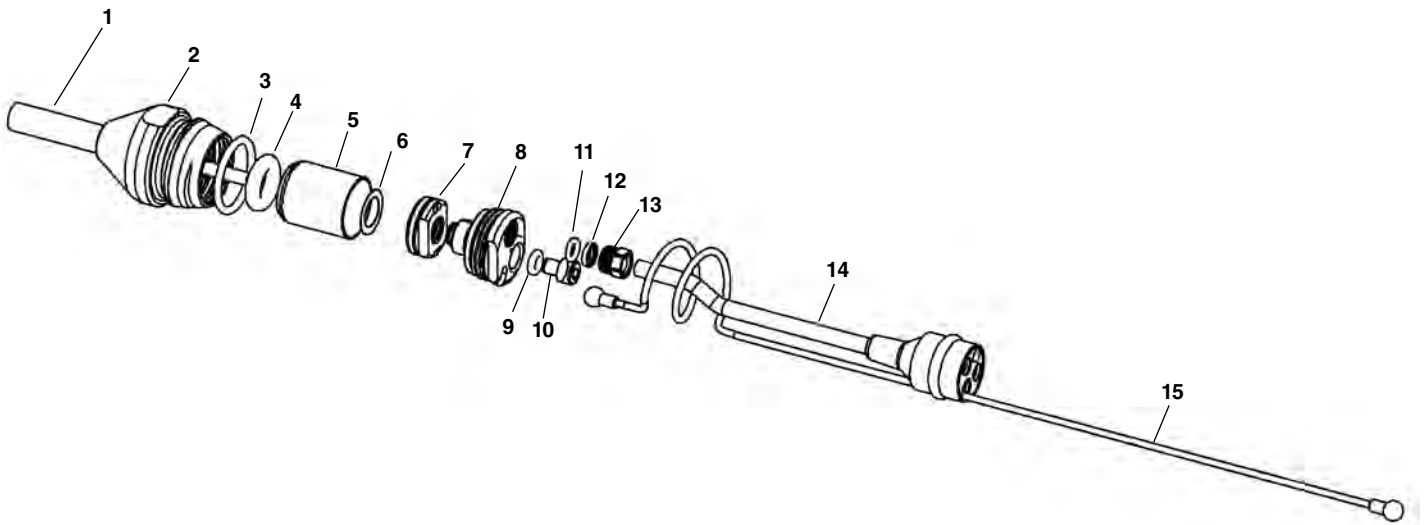
Ref. No.	Catalog No.	Description
1	97162	Tube Mount Base
2	97107	Compact Drum
3	97147	Retaining Ring
4	97127	Bottom Axle Radial Bushing
5	97117	Bottom Hub
6	97122	Bottom Axle Thrust Bush
7	97142	Slip Ring Assembly
	22548	Counting Slip Ring
8	97152	1/8" x 1" Dowel Pin
9	97112	Frame Axle
10	97157	Tube Mount
11	97172	#8 x 1/2" Screw (2)
12	97167	Axle Support
13	97137	Top Axle Bushing
14	97177	#6 x 1/2" Screw
15	97132	Top Hub

FlatPack



Ref. No.	Catalog No.	Description
1	97182	FlatPack Drum
2	97627	Cord Wrap Asm (COLOR)
	97197	Cord Wrap Asm (B&W)
3	97207	Drain Plug
4	14008	Rubber Feet (4)
Not Shown		
	97202	Label Set (B&W)
	97632	Label Set (COLOR)

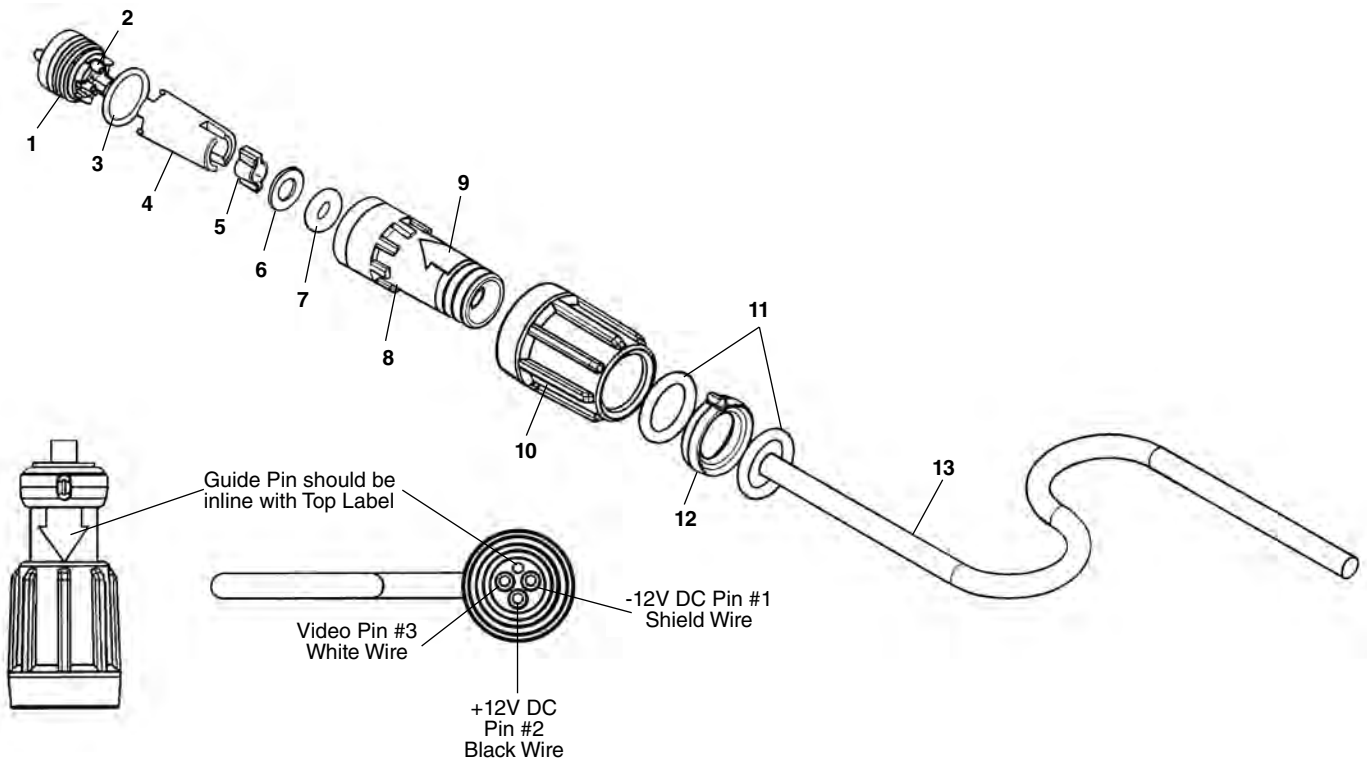
Compact/FlatPack SeeSnake Wet End Termination: Exploded View



**NOTE: Order parts by Catalog Number only.
DO NOT order by Reference Number.**

Ref. No.	Catalog No.	Description
1	18758	Raw Push Cable
2	18763	Spring Shell
3	18768	O-Ring
4	18773	O-Ring
5	18778	O-Ring Cap
6	18793	Spring Washer
7	18783	Push Nut
8	18788	Termination Plug
9	18828	O-Ring
10	18803	Screw
11	18798	O-Ring
12	18808	Back Up Ring
13	18813	Seal Screw
14	18818	Cord Assembly
15	18823	Safety Cable
	18733	Retermination Kit Includes Ref. Nos 3,4,7,8,9,11,12
Items Not Shown		
	20263	Color Compact Spring Assembly
	20268	B&W Compact Spring Assembly
	20273	Locking Sleeve
	20278	Retaining Ring
	20283	Connector w/Ball Hole
	20288	Connector Minus Ball Hole

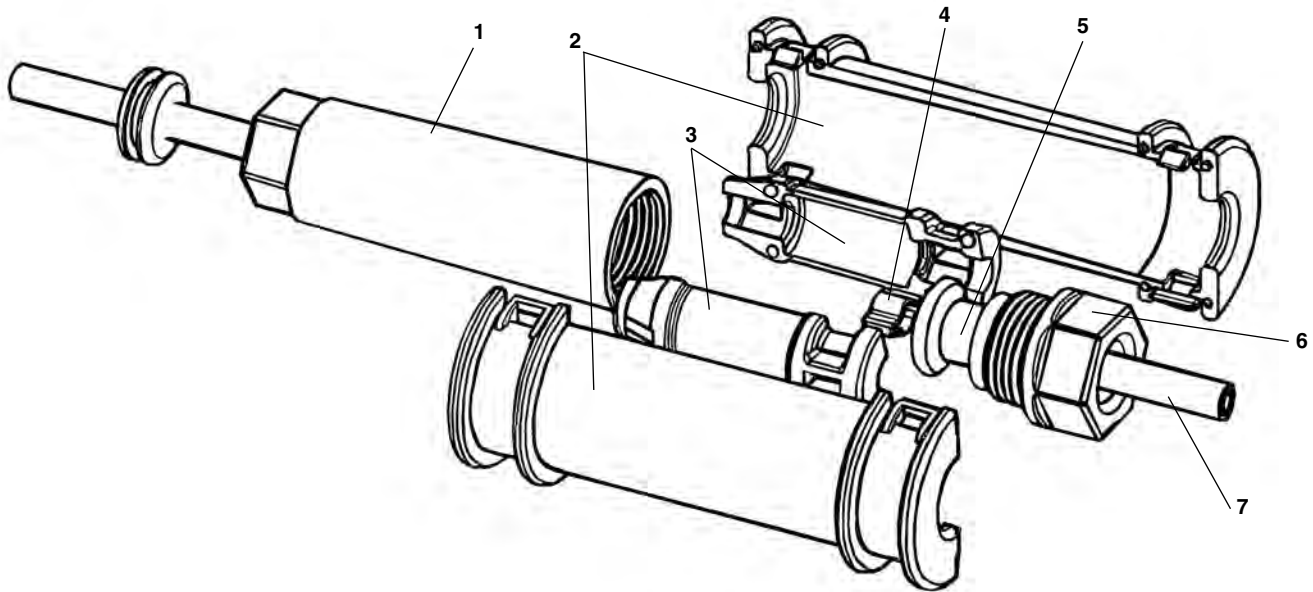
FlatPack SeeSnake Dry End Termination/Interconnect Cord: Male End



**NOTE: Order parts by Catalog Number only.
DO NOT order by Reference Number.**

Ref. No.	Catalog No.	Description
1	71612	Male Insert
2	18863	Shrink Tube
3	18868	O-Ring
4	71597	Internal Shell
5	71607	Clamp
6	18873	Washer
7	18773	O-Ring
8	71592	InLine Shell
9	18878	Top Label
10	71602	Locking Sleeve
11	18883	O-Ring (2)
12	18888	Index Band
13	18893	Raw Cable

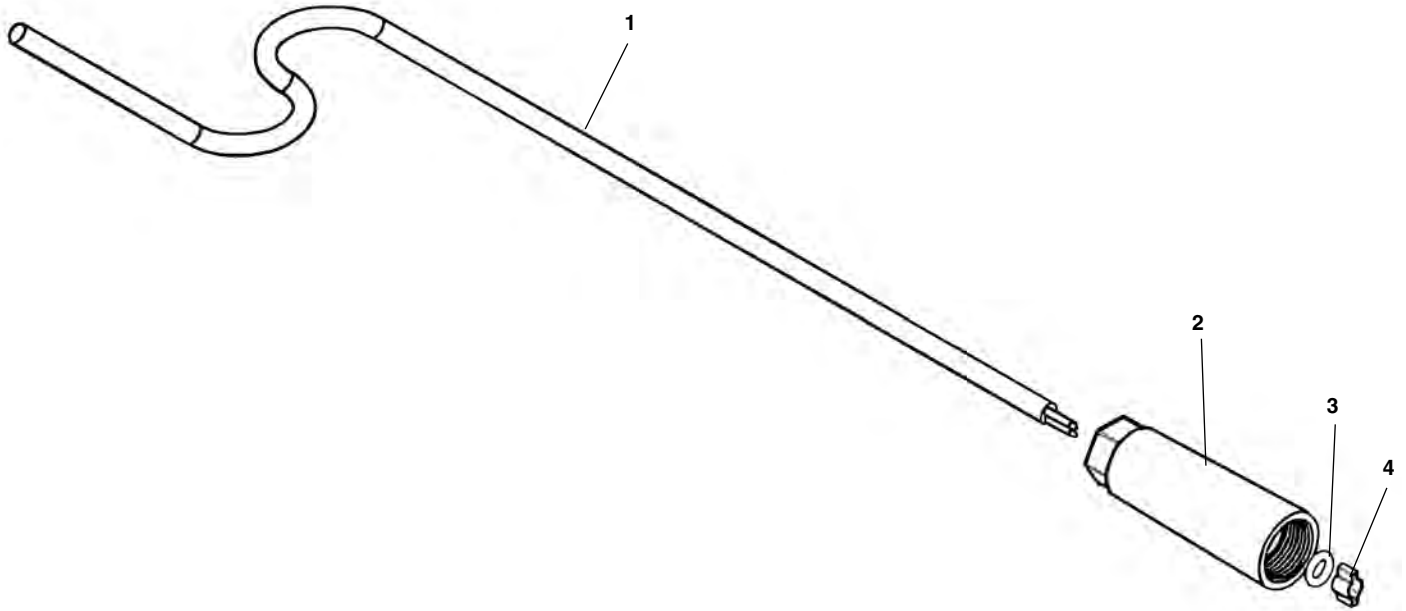
Compact/FlatPack SeeSnake Dry End Termination: Exploded View



**NOTE: Order parts by Catalog Number only.
DO NOT order by Reference Number.**

<u>Ref. No.</u>	<u>Catalog No.</u>	<u>Description</u>
1	18833	Compact Whip Assembly
	18838	FlatPack Cord Assembly
2	18843	Adapter
3	18848	Compact Inner Clam Shell
4	71607	Clamp
5	18853	Seal
6	18858	End Nut
7	18758	Raw Push Cable

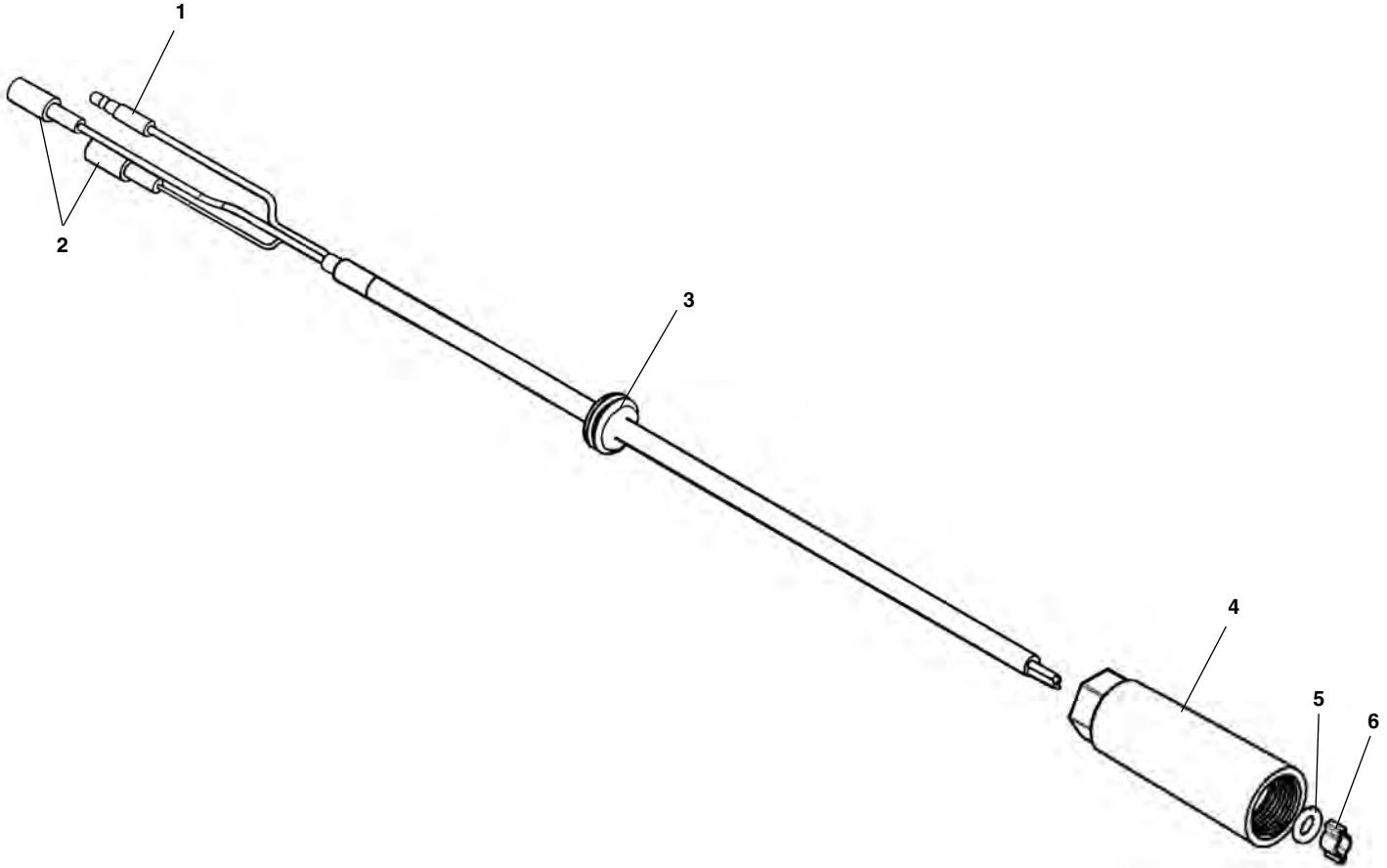
FlatPack SeeSnake Dry End Termination/Interconnect Cord: Termination End



**NOTE: Order parts by Catalog Number only.
DO NOT order by Reference Number.**

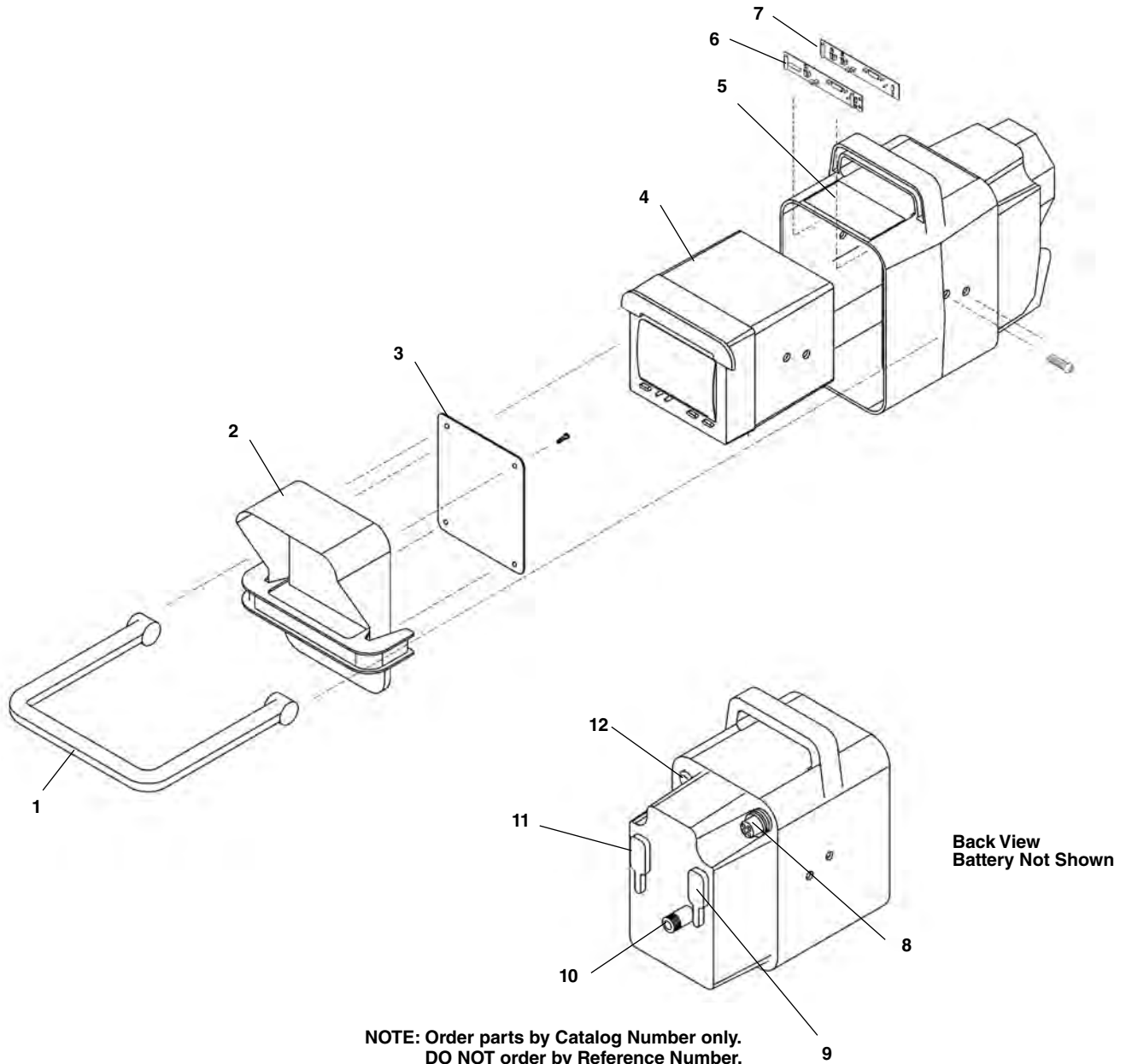
Ref. No.	Catalog No.	Description
1	18893	10 ft. Raw Cable
2	18898	Main Shell
3	18903	O-Ring
4	71607	Clamp

Compact SeeSnake Whip Assembly



**NOTE: Order parts by Catalog Number only.
DO NOT order by Reference Number.**

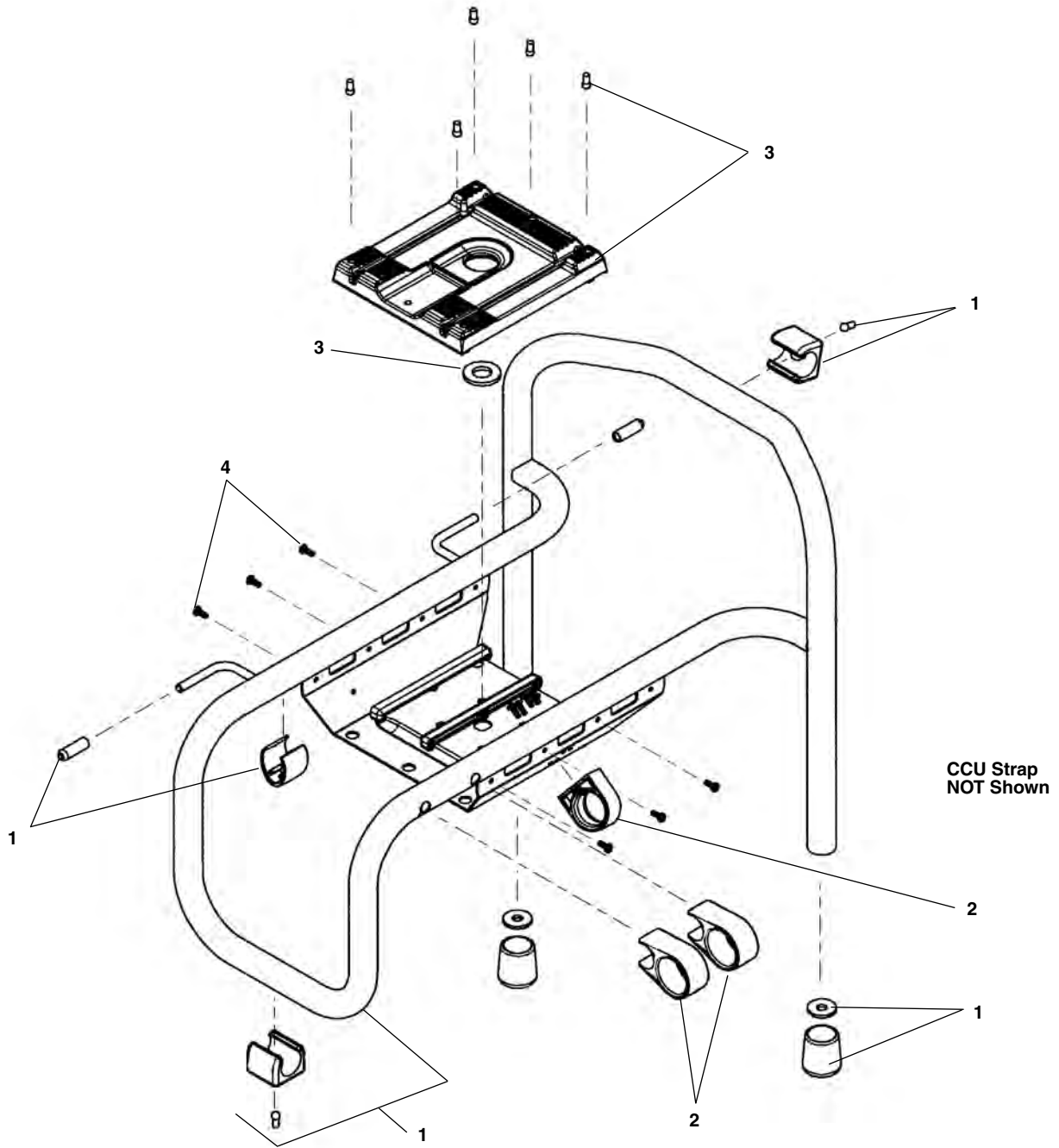
Ref. No.	Catalog No.	Description
1	18908	Male Bullet Connector
2	18913	Female Bullet Connector
3	18918	Grommet
4	18898	Main Shell
5	18903	O-Ring
6	71607	Clamp



**NOTE: Order parts by Catalog Number only.
DO NOT order by Reference Number.**

Ref. No.	Catalog No.	Description
1	97667	Kickstand w/Handle Asm.
2	97657	Monitor Lid (B&W)
	97662	Monitor Lid (COLOR)
3	97672	Monitor Window Kit
4	97637	Monitor (B&W) EIA
	97642	Monitor (B&W) CCIR
	97647	Monitor (COLOR) NTSC
	97652	Monitor (COLOR) PAL
5	97677	Monitor Case (B&W)
	97682	Monitor Case (COLOR)
6	97707	Compact Power Board Asm
7	97712	Connector Board (Small Board)
8	77307	Bulkhead Connector
9	97697	Dust Cover (Black)
10	97717	Ground Post
11	97692	Dust Cover (Orange)
12	97702	Power Switch Asm
Items Not Shown		
	97722	Ground Post Cable
	83407	14.4V Battery
	95722	AC Adapter (115V)
	95727	AC Adapter (230V)

Frame

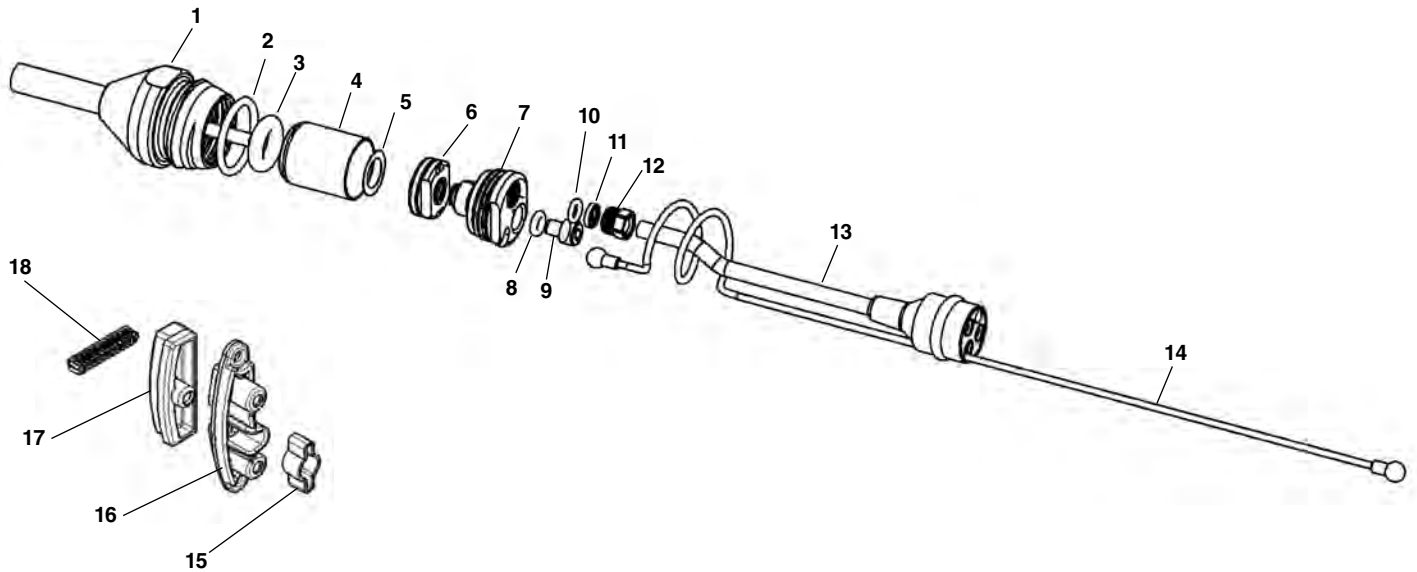


**NOTE: Order parts by Catalog Number only.
DO NOT order by Reference Number.**

Ref. No.	Catalog No.	Description
1	97062	Frame Assembly w/Feet
2	97072	Cable Guide Set
3	97067	Monitor Pad Assembly
4	97082	Monitor Strap Hardware Assy.
Item Not Shown		
	97077	Monitor Strap

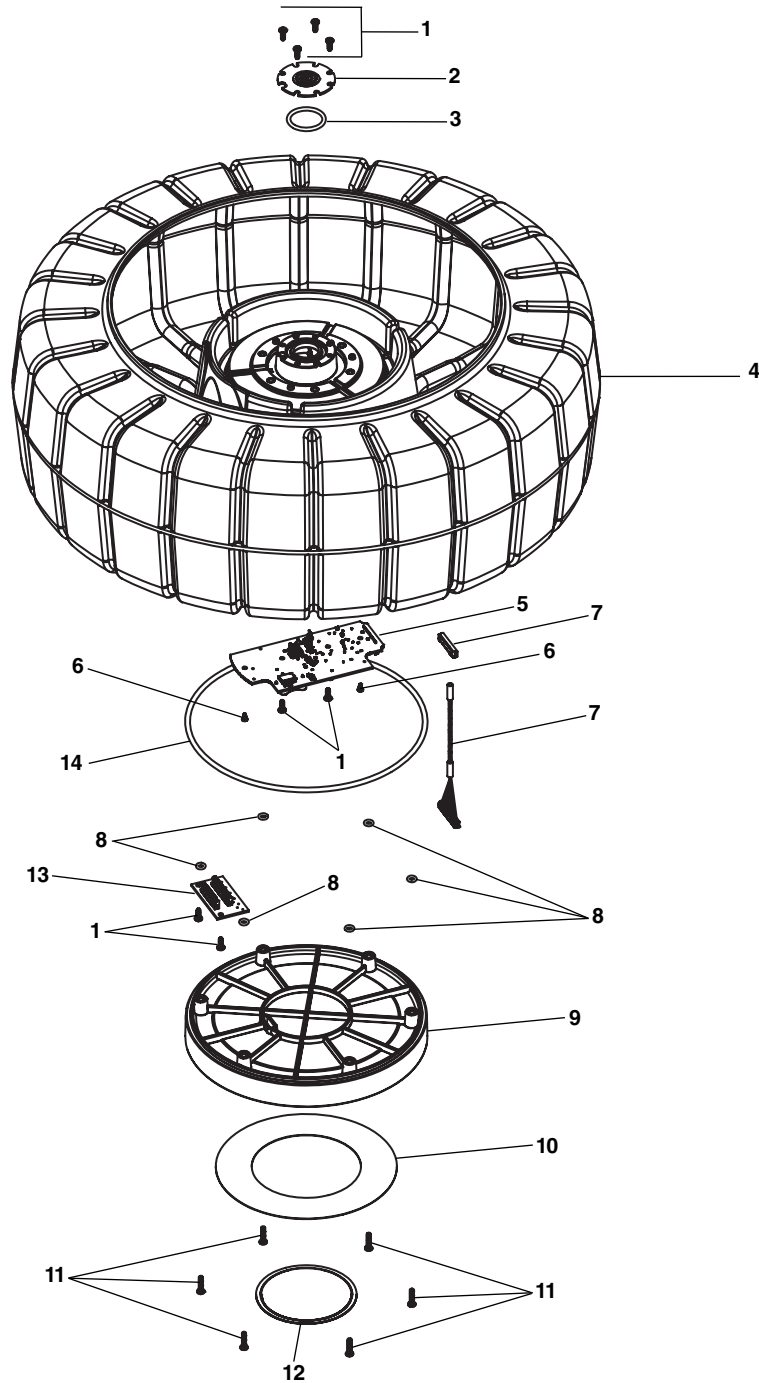
NOTE: All Monitors Include Labels

Push Cable Assembly



**NOTE: Order parts by Catalog Number only.
DO NOT order by Reference Number.**

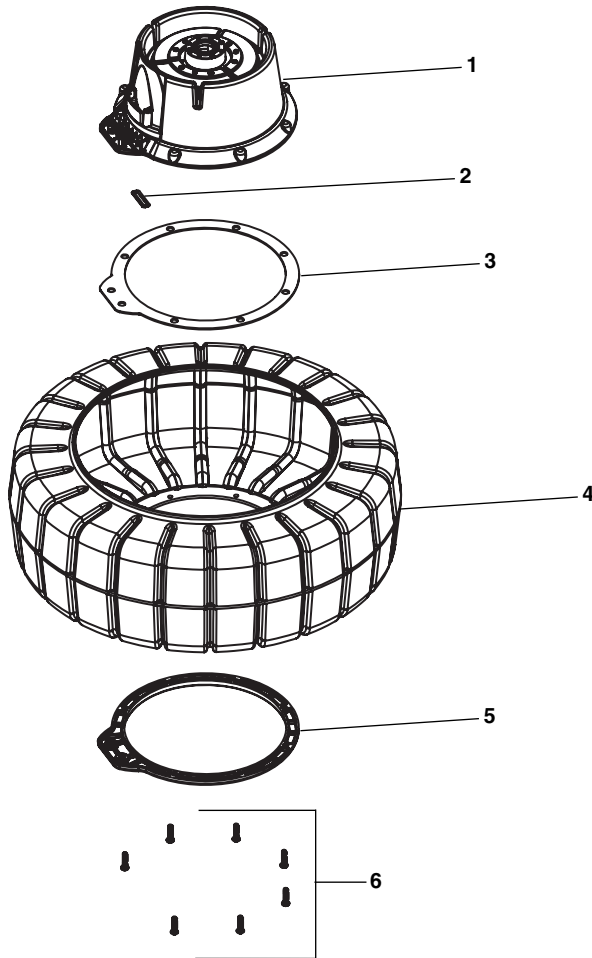
Ref. No.	Catalog No.	Description
	49438	Push Cable Asm.
1	18763	Spring Shell
2	18768	O-Ring
3	18773	O-Ring
4	18778	O-Ring Cap
5	18793	Spring Washer
6	18783	Push Nut
7	18788	Termination Plug
8	18828	O-Ring
9	18803	Screw
10	18798	O-Ring
11	18808	Back Up Ring
12	18813	Seal Screw
13	18818	Coil Cord
14	18823	Safety Cable
15	71607	Clamp
16	35933	Sealing Clamp
17	35928	Wire Plug
18	36223	IDC Connector
	18733	Retermination Kit Incl. Ref Nos. 2,3,6,7,8,10,11,12
Items Not Shown		
	20268	Spring Assembly
	20273	Locking Sleeve
	20278	Retaining Ring
	20283	Connector W/Ball Slot
	20288	Connector Less/Ball Slot



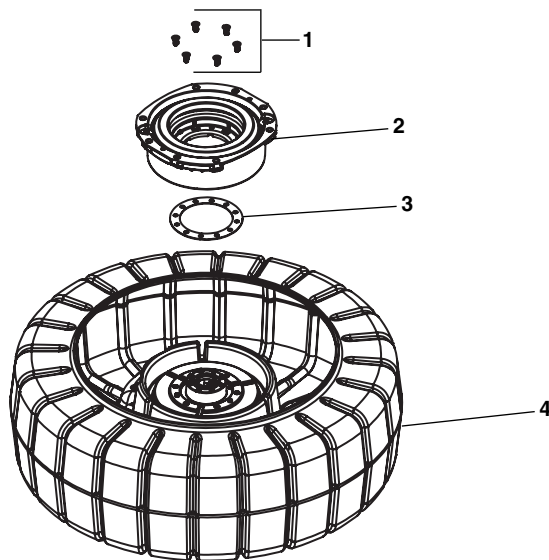
**NOTE: Order parts by Catalog Number only.
DO NOT order by Reference Number.**

Ref. No.	Catalog No.	Description
1	35548	Screw, #4-20 x 5/16" (8)
2	35598	Drum Side PCB
3	35613	O-Ring
4	52618	Drum Asm W/Hub Cone
5	35603	Hub PCB
6	53533	Screw, #2-28 x 3/16" (2)
7	52608	Audio PCB Cable
8	35608	O-Ring
9	52623	Hub Cover
10	52633	Label
11	24488	Screw, #4-40 x 1/2" (6)
12	37198	Keypad
13	52613	Audio PCB
14	52943	O-Ring

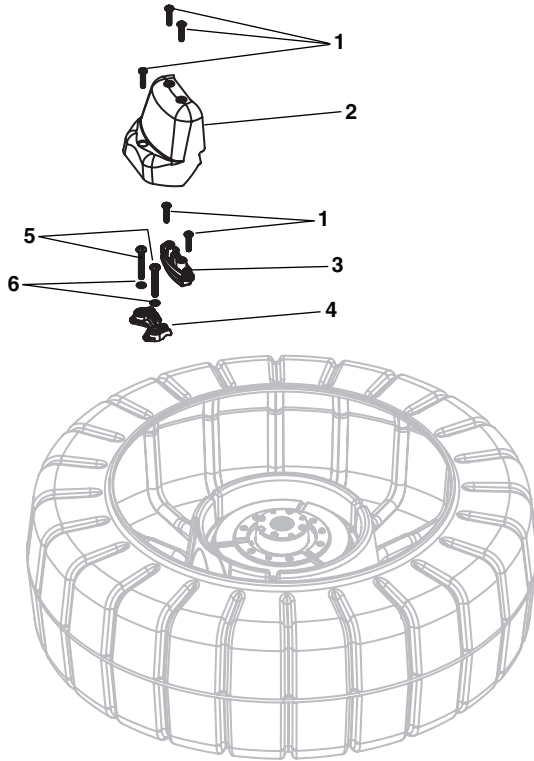
NOTE: Order parts by Catalog Number only. DO NOT order by Reference Number.



Ref. No.	Catalog No.	Description
1	52638	Hub Cone
2	35588	Connector Gasket
3	52653	Drum Gasket
4	52643	Drum Only
5	52648	Drum Flange
6	52948	Screw, #8-16 x ¾" (7)

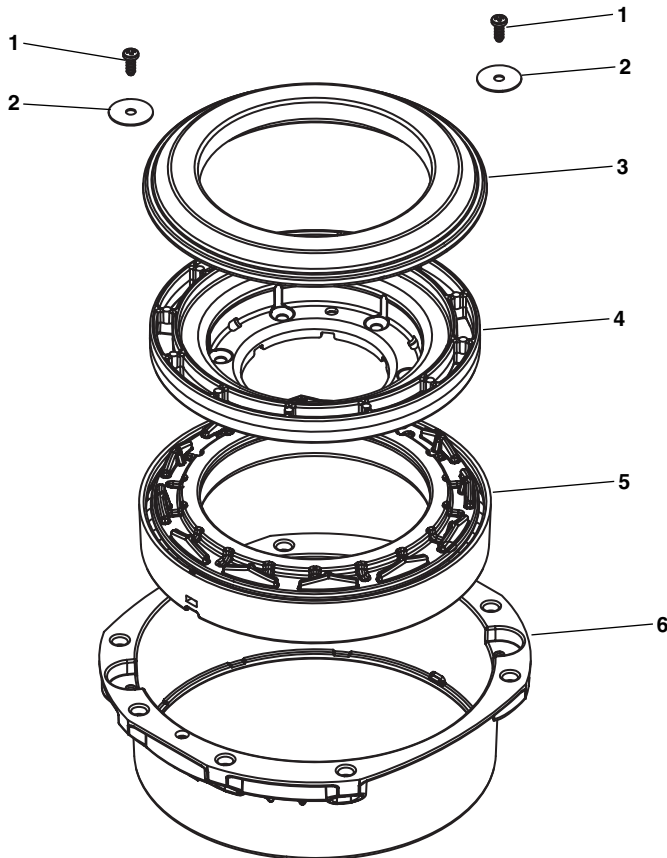


Ref. No.	Catalog No.	Description
1	52933	Screw, #8-32 x ¾" (6)
2	52598	Bearing Asm.
3	52603	Hub Gasket
4	52618	Drum Asm.

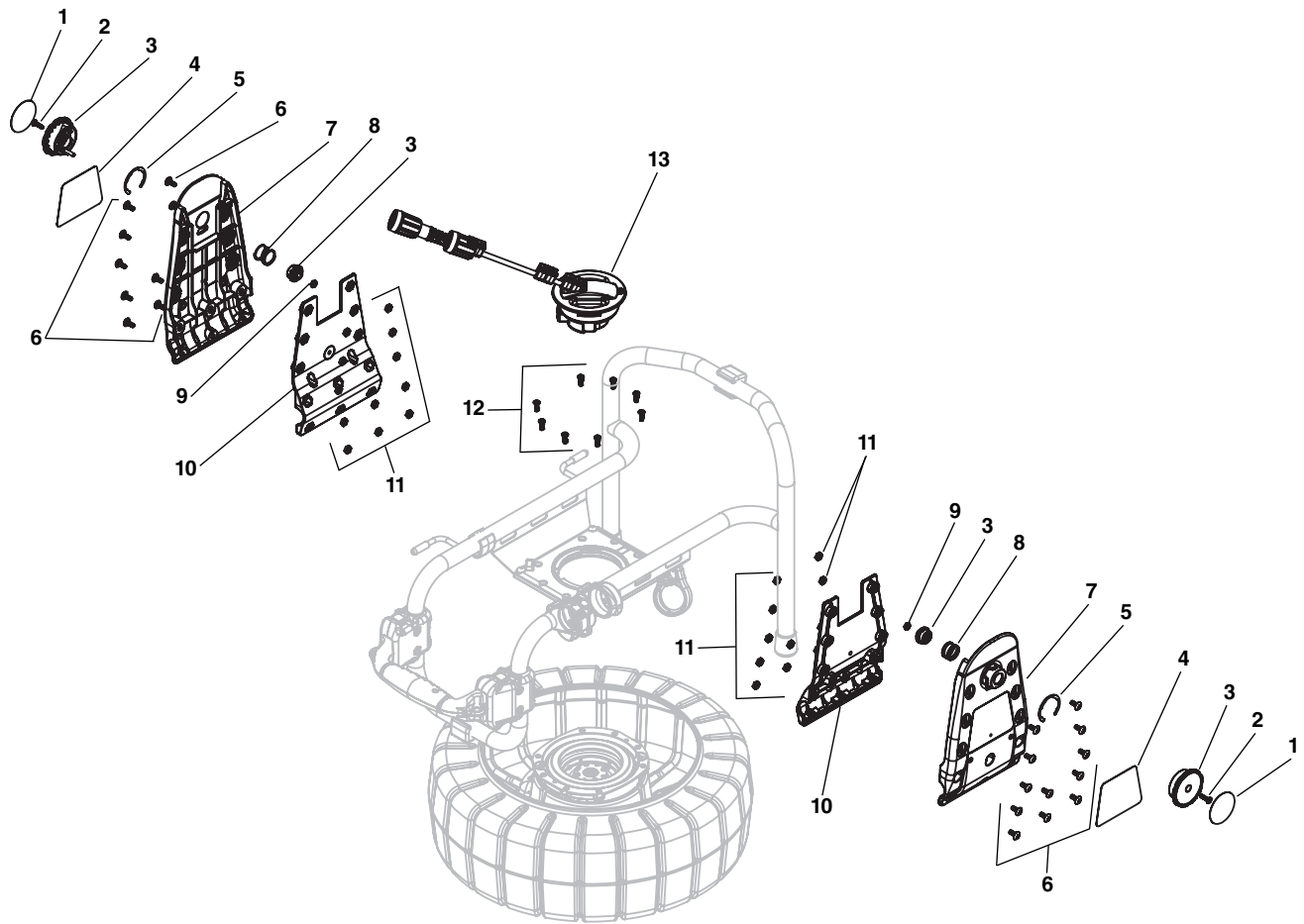


**NOTE: Order parts by Catalog Number only.
DO NOT order by Reference Number.**

Ref. No.	Catalog No.	Description
1	35663	Screw, #6 x 5/8" (5)
2	50848	Hub Shield
3	35933	Sealing Clamp
4	35658	Push Cable Retainer
5	50833	Screw, #8-32 x 1 1/8" (2)
6	50838	Flat Washer (2)

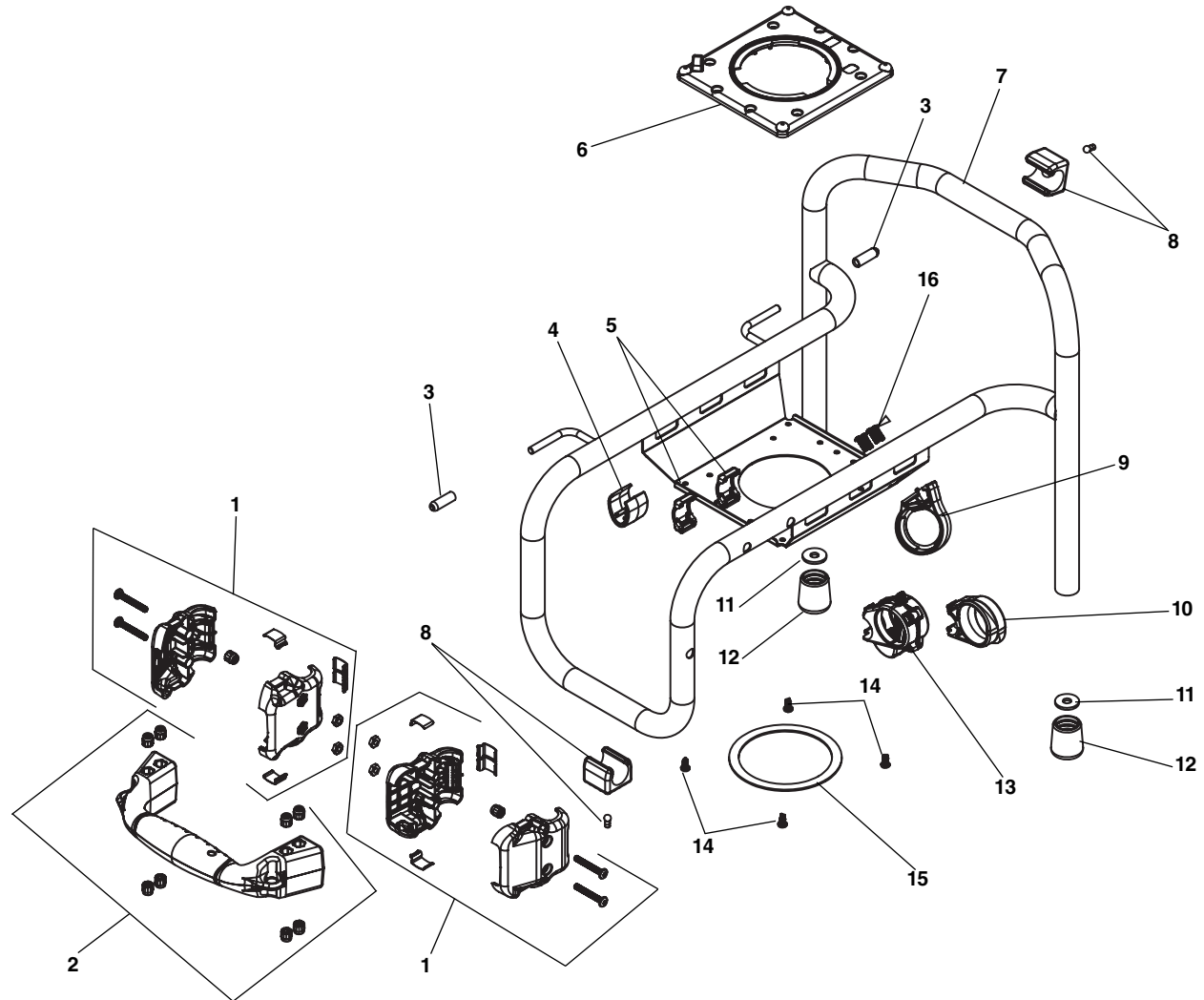


Ref. No.	Catalog No.	Description
1	35548	Screw, #4-20 x 5/16"
2	53528	Flat Washer (2)
3	43493	Front Bearing Asm.
4	53258	Bearing Spacer
5	47593	Back Bearing Asm.
6	53253	Bearing Housing



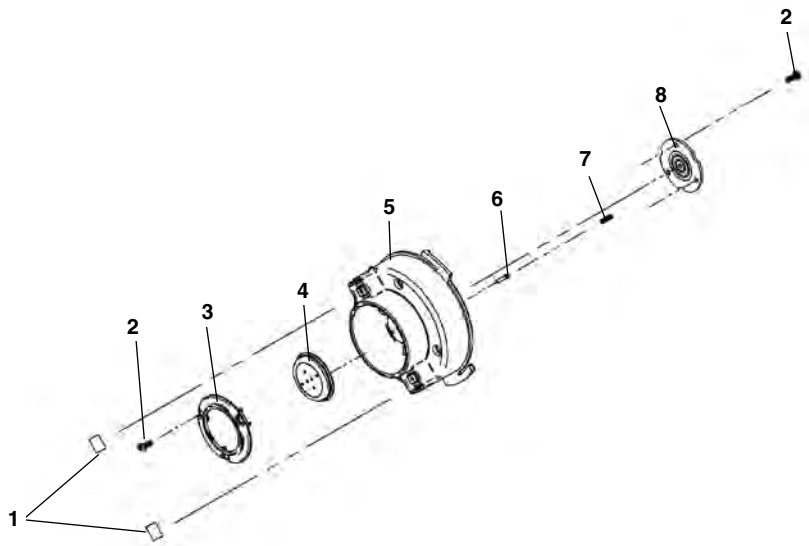
**NOTE: Order parts by Catalog Number only.
DO NOT order by Reference Number.**

Ref. No.	Catalog No.	Description
1	53263	Knob Label (2)
2	53513	Screw, #8-32 x 3/16" (2)
3	53213	Knob Pin (2)
4	53698	Side Plate Label
5	53268	Warning Label
6	52923	Screw, #10-32 x 1/2" (24)
7	53218	Side Plate (2)
8	53508	Compression Spring (2)
9	35648	Hex Nut #8-32 (2)
10	53223	Backing Plate (2)
11	52918	Hex Nut #10-32 (24)
12	53523	Screw, #8-32 x 1/2" (8)
13	33108	Interconnect Cord Asm



**NOTE: Order parts by Catalog Number only.
DO NOT order by Reference Number.**

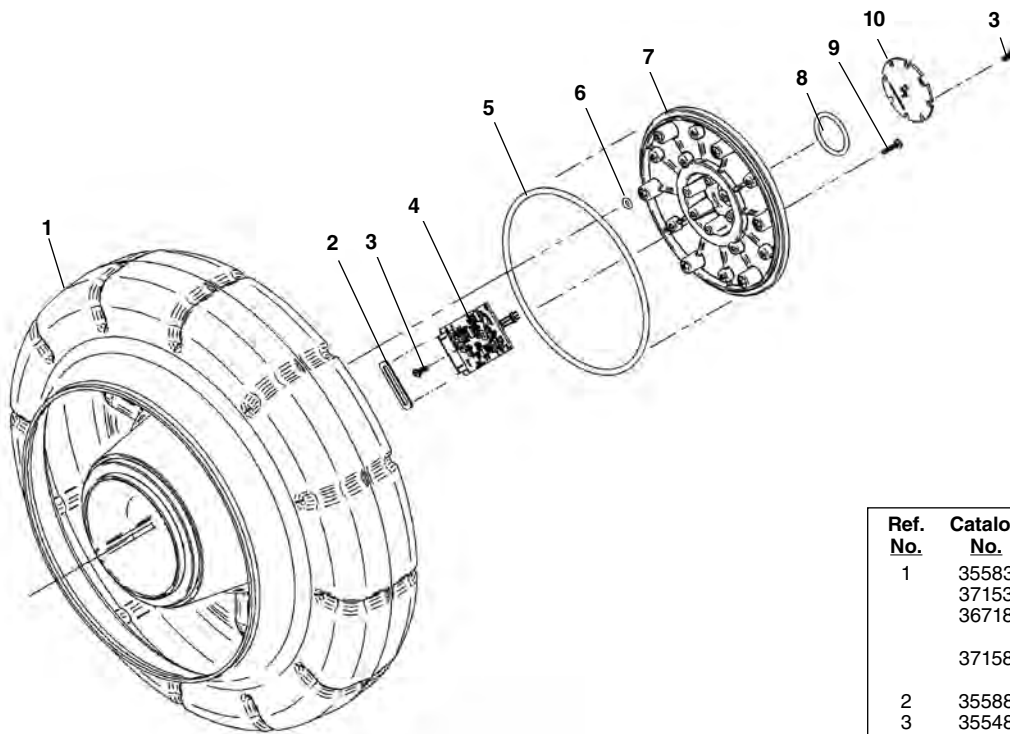
Ref. No.	Catalog No.	Description
1	53503	Handle Mounting Asm (2)
2	50218	Handle Asm.
3	52928	Rubber Tip (2)
4	72532	Wire Clip
5	53248	Front Cable Guide Retainer
6	53228	Slip Ring Mount
7	53498	Frame (incl ref no's 8, 11 & 12)
8	72557	Frame Bumper (2)
9	53243	Cable Guide Asm
10	53238	Mid Cable Guide
11	72537	Washer (2)
12	70042	Rubber Foot (2)
13	49218	Front Cable Guide
14	53203	Screw, #8 x 3/8" (4)
15	53233	Flat Seal
16	24413	Screw, #6 x 1/2" (4)



NOTE: Order parts by Catalog Number only. DO NOT order by Reference Number.

Ref. No.	Catalog No.	Description
1	35543	Magnet (2)
2	35548	Screw, 4-20 x 5/16" (6)
3	35553	Slip Ring Retainer
4	35558	Slip Ring Contact Cover
5	35563	Slip Ring Flange
6	35568	Contact Pin (6)
7	35573	Contact Pin Spring (6)
8	35578	Slip Ring PCB

NOTE: Parts Shown Are Identical Between microDrain and microReel Except When Noted As Different.

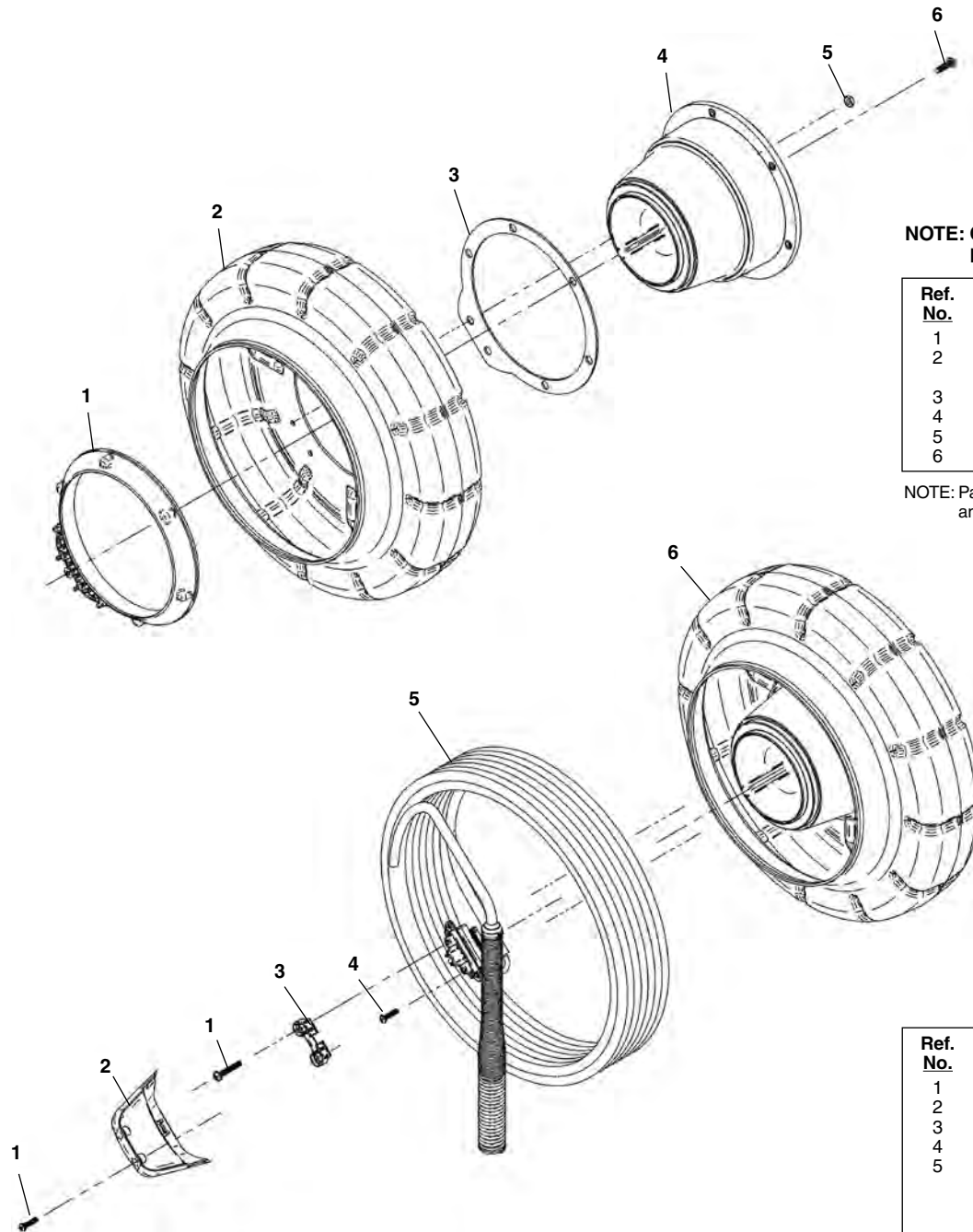


Ref. No.	Catalog No.	Description
1	35583	Drum Asm. (microDrain)
	37153	Drum Asm. (microReel)
	36718	Drum Asm. w/Electronics (microDrain)
	37158	Drum Asm. w/Electronics (microReel)
2	35588	Connector Gasket
3	35548	Screw, 4-20 x 5/16" (6)
4	35603	Main PCB (microDrain)
	37183	Main PCB (microReel Non-Counting)
	37188	Counter PCB Asm. (microReel)
5	35618	O-Ring
6	35608	O-Ring (6)
7	35593	PCB Hub Mount
8	35613	O-Ring
9	24488	Screw, #4 x 1/2" (6)
10	35598	Drum Side PCB

Items Not Shown

- 37193 Battery (microReel w/Counter Only)
- 37198 Keypad (microReel w/Counter Only)

NOTE: Parts Shown Are Identical Between microDrain and microReel Except When Noted As Different.



NOTE: Order parts by Catalog Number only. DO NOT order by Reference Number.

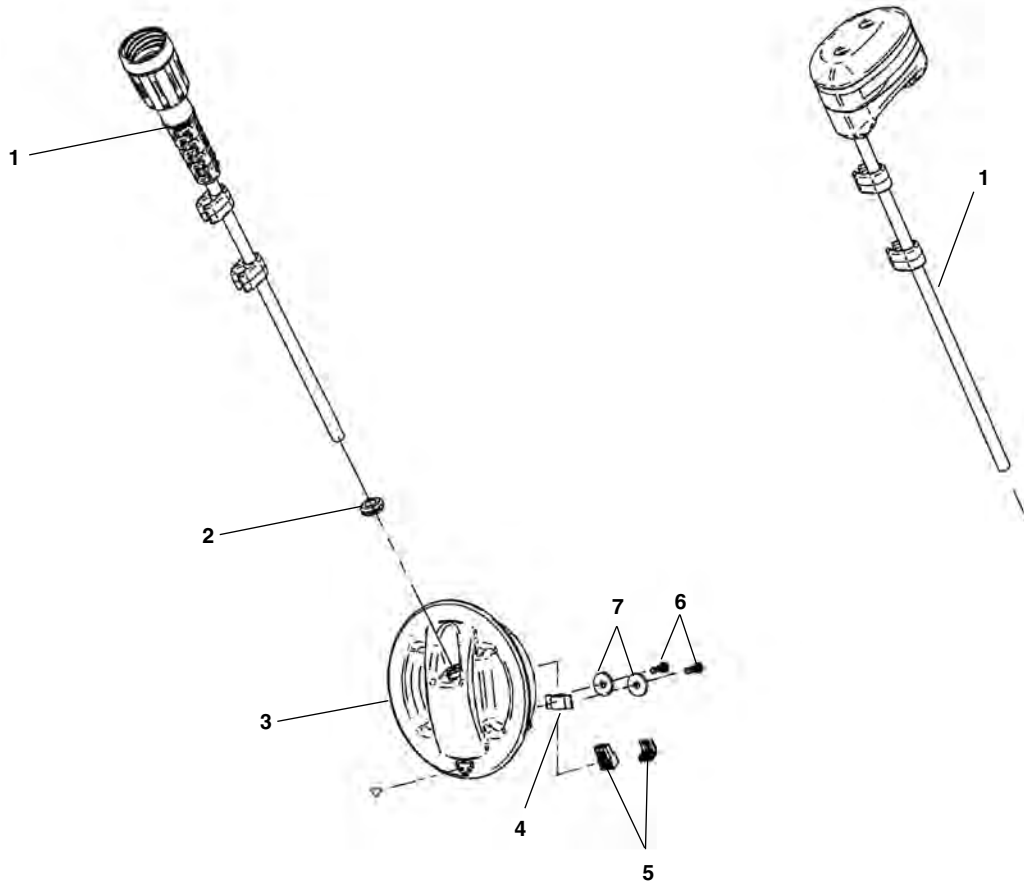
Ref. No.	Catalog No.	Description
1	35628	Hub Retainer
2	35583	Drum Asm. (microDrain)
	37153	Drum Asm. (microReel)
3	35643	Drum Hub Gasket
4	35633	Hub Cone
5	35648	Hex Nut, #8-32 (2)
6	30803	Screw, #8-16 x 5/8" (5)

NOTE: Parts Shown Are Identical Between microDrain and microReel Except When Noted As Different.

Ref. No.	Catalog No.	Description
1	35663	Screw, #6 x 5/8" (5)
2	35653	Hub Shield
3	35658	Push Cable Retainer
4	37533	Screw, #8-32 x 1" (2)
5	35318	Push Cable Asm. L/Cam. (microDrain)
	36713	Push Cable Asm. L/Cam. (microReel)
6	36718	Drum Asm. w/Electronics (microDrain)
	37158	Drum Asm. w/Electronics (microReel)

NOTE: Parts Shown Are Identical Between microDrain and microReel Except When Noted As Different.

Interconnect Cords

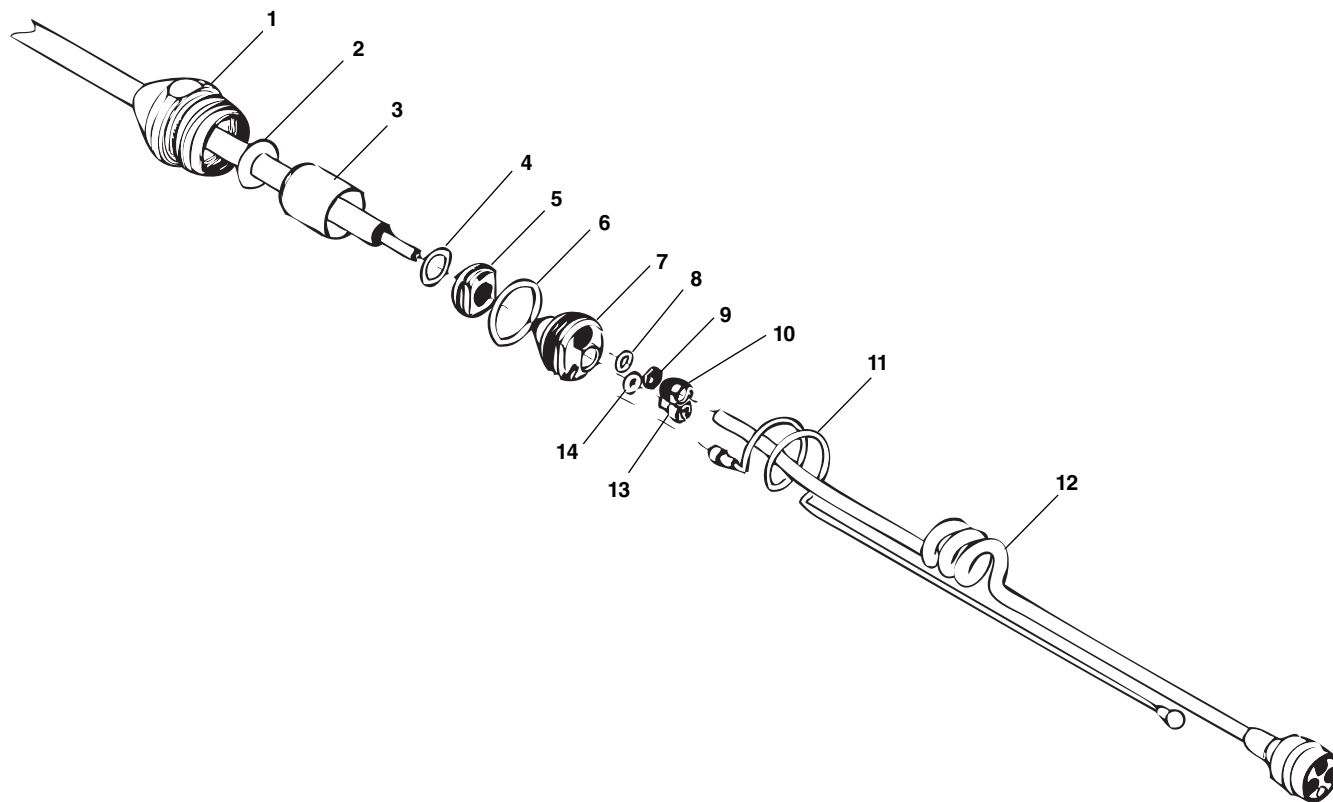


**NOTE: Order parts by Catalog Number only.
DO NOT order by Reference Number.**

Ref. No.	Catalog No.	Description
1	33108	microDrain/Reel Interconnect Cord (SeeSnake® Reel)
	33113	microDrain/Reel Interconnect Cord (microEXPLORER™ Digital Inspection Camera)
2	37388	Rubber Grommet
3	37408	Slip Ring Cover
4	37398	Clamp
5	37403	IDC Connector Set
6	31343	Screw, 4-20 x 3/8" (6)
7	37393	Flat Washer (2)

NOTE: Parts Shown Are Identical Between microDrain and microReel Except When Noted As Different.

microReel Push Cable Assembly

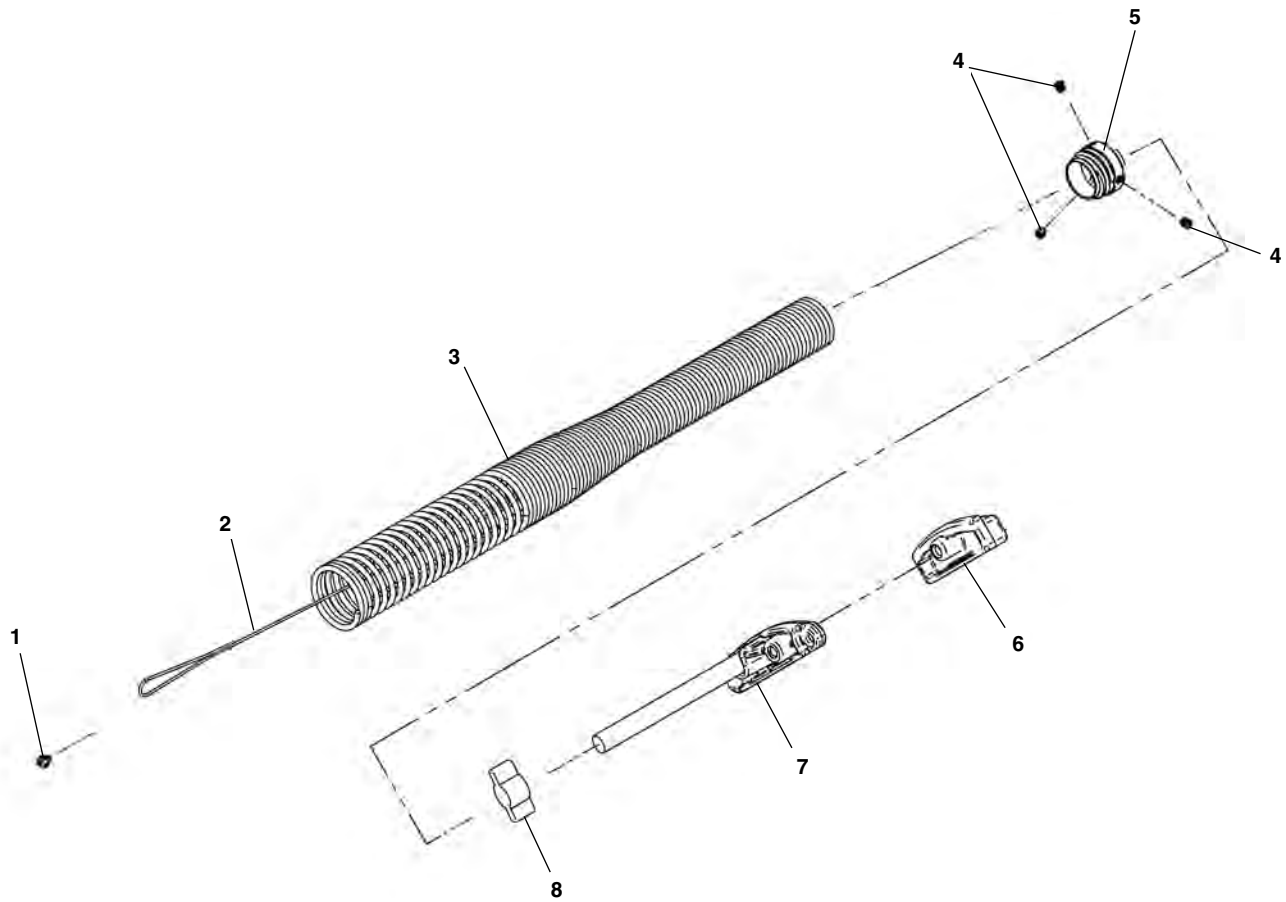


**NOTE: Order parts by Catalog Number only.
DO NOT order by Reference Number.**

Ref. No.	Catalog No.	Description	Ref. No.	Catalog No.	Description
—	36713	Push Cable Asm. L/Camera Head	12	36218	Coil Cord Assembly
1	18763	Rear Spring Shell	13	18803	Screw, #6-32 x 3/16"
2	18773	O-Ring	14	18828	O-Ring
3	18778	O-Ring Cap		18733	Retermination Kit (Includes Ref No's 2, 5, 6, 7, 8, 9, 14)
4	18793	Spring Washer	Items Not Shown:		
5	18783	Push Nut	—	37373	Spring Asm.
6	18768	O-Ring	—	20273	Locking Sleeve
7	18788	Termination Plug	—	20283	Connector w/Slot
8	18798	O-Ring	—	20288	Connector Minus Slot
9	18808	Back-Up Ring	—	20278	Retaining Ring
10	18813	Seal Screw	—	36223	12 Pin IDC Connector
11	36693	Safety Cable			

NOTE: Parts Shown Are Identical Between microDrain and microReel Except When Noted As Different.

microDrain Push Cable Assembly

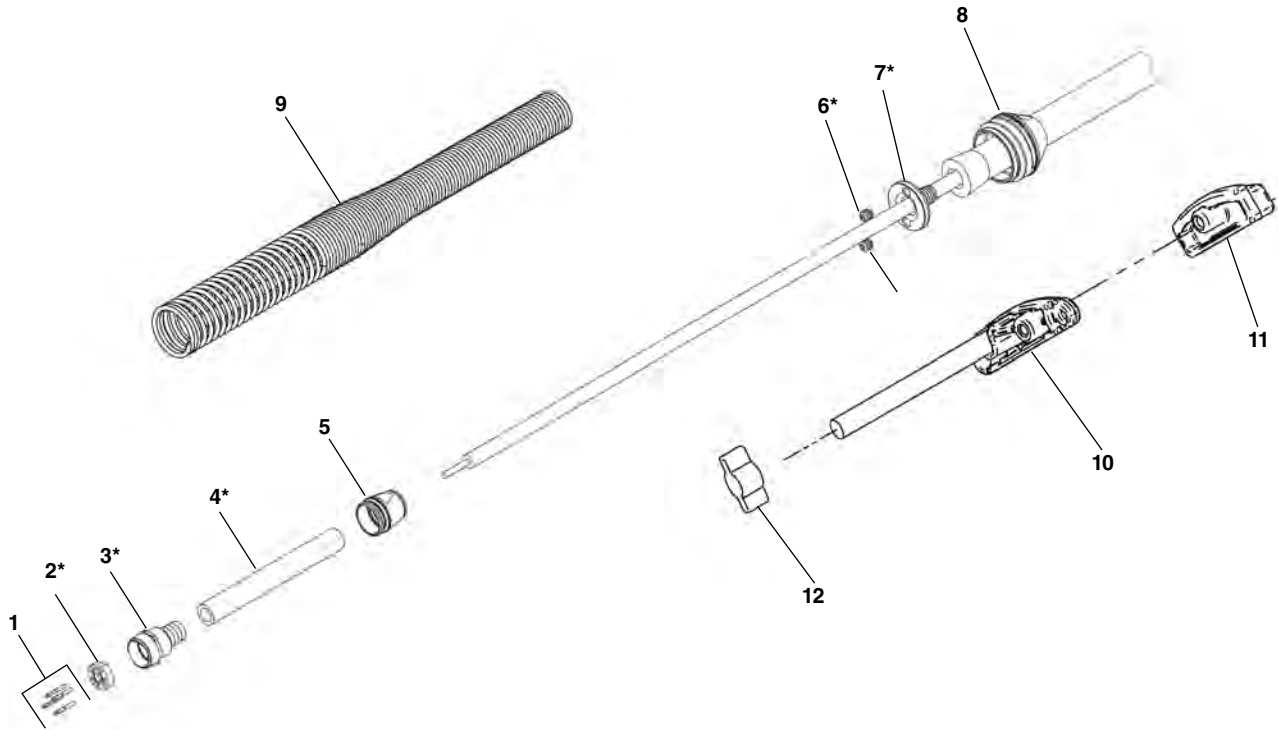


**NOTE: Order parts by Catalog Number only.
DO NOT order by Reference Number.**

Ref. No.	Catalog No.	Description
—	35318	microDrain Push Cable Assembly L/Cam
1	35878	Ball Stop
2	35888	Safety Cable
3	35883	Spring Assembly
4	35918	Set Screw #4-40 x 1/8" (3)
5	35913	Rear Spring Shell
6	35928	Wire Plug
7	35933	Sealing Clamp
8	35923	Clamp
Item Not Shown:		
—	36223	12 Pin IDC Connector

NOTE: Parts Shown Are Identical Between microDrain and microReel Except When Noted As Different.

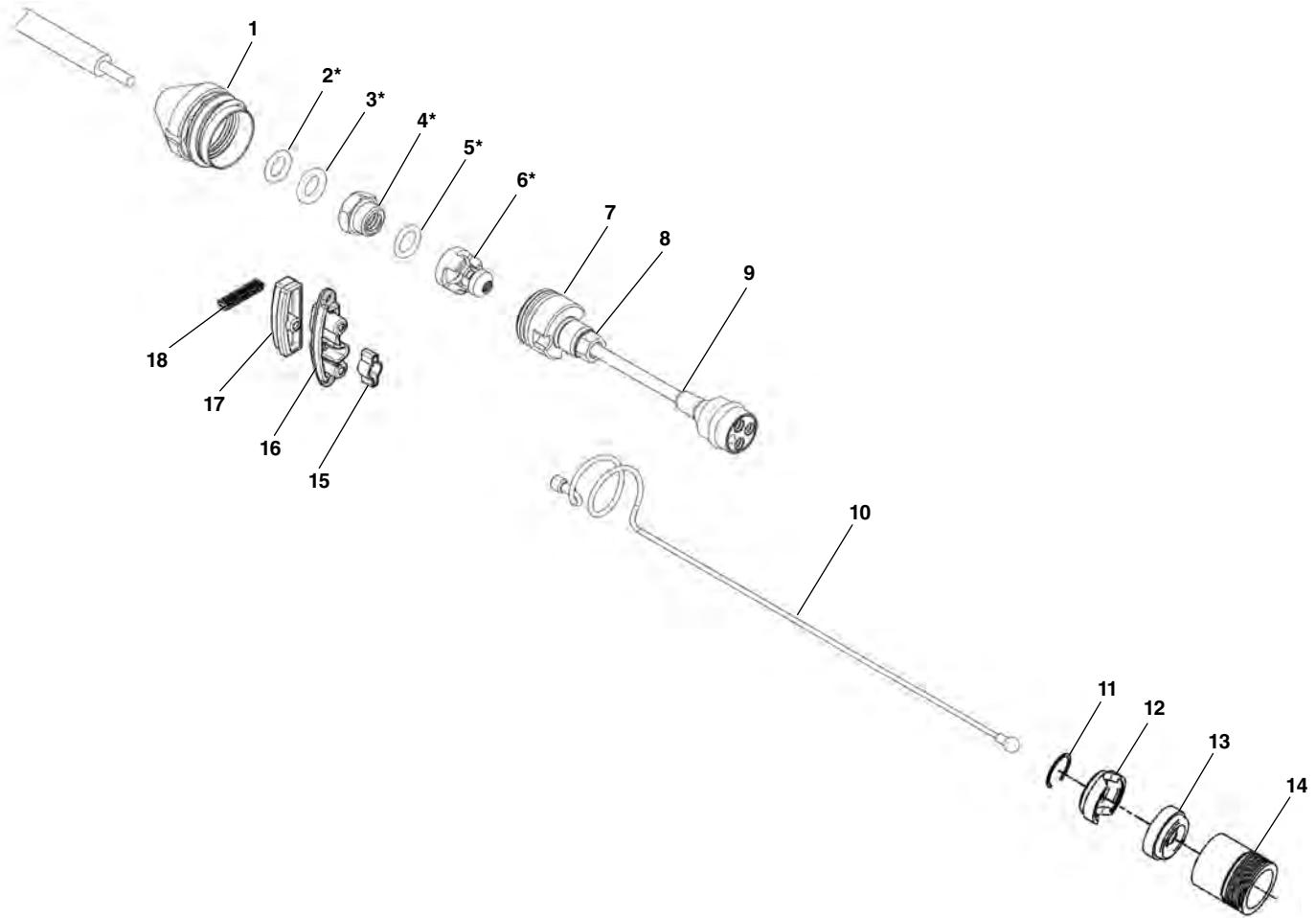
Push Cable Assembly



**NOTE: Order parts by Catalog Number only.
DO NOT order by Reference Number.**

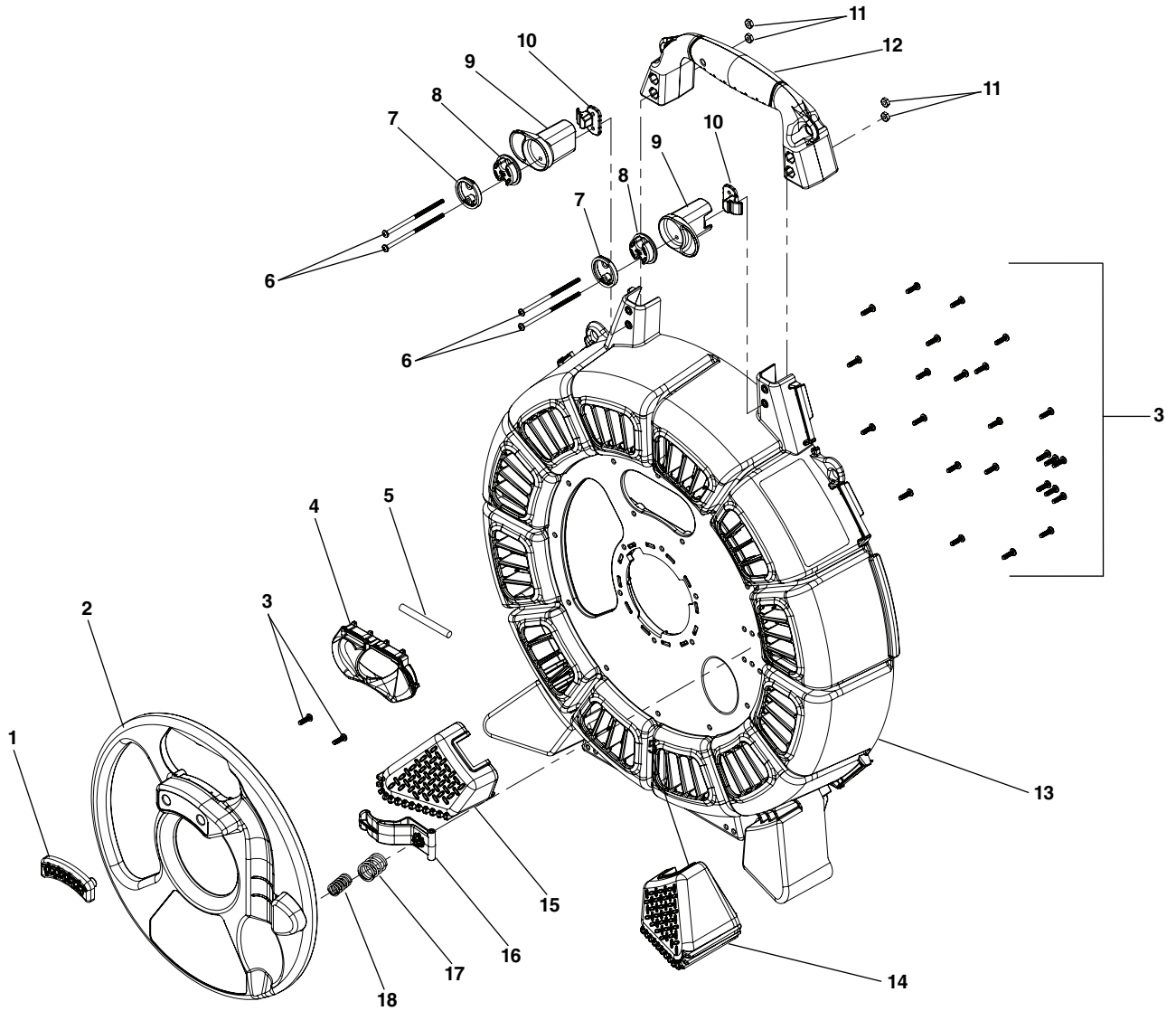
Ref. No.	Catalog No.	Description
1	41783	NanoReel Push Cable Assembly 85 ft.
2	45898	Pogo Pin (4)
3	45908	Camera Connection PCB
4	45968	PCB Connector Shell
5	45963	Tubing
6	46663	Locking Sleeve
7	45903	Set Screw #2-56 x 3/32 (2)
8	45913	Inner Press Ferrule
9	45918	Outer Press Shell
10	42193	Nano Spring
11	35933	Sealing Clamp
12	35928	Wire Plug
*	71607	Clamp
*	46383	Retermination Kit (Items Marked w/*)
Items Not Shown		
	36223	12 Pin IDC Connector

Push Cable Assembly



**NOTE: Order parts by Catalog Number only.
DO NOT order by Reference Number.**

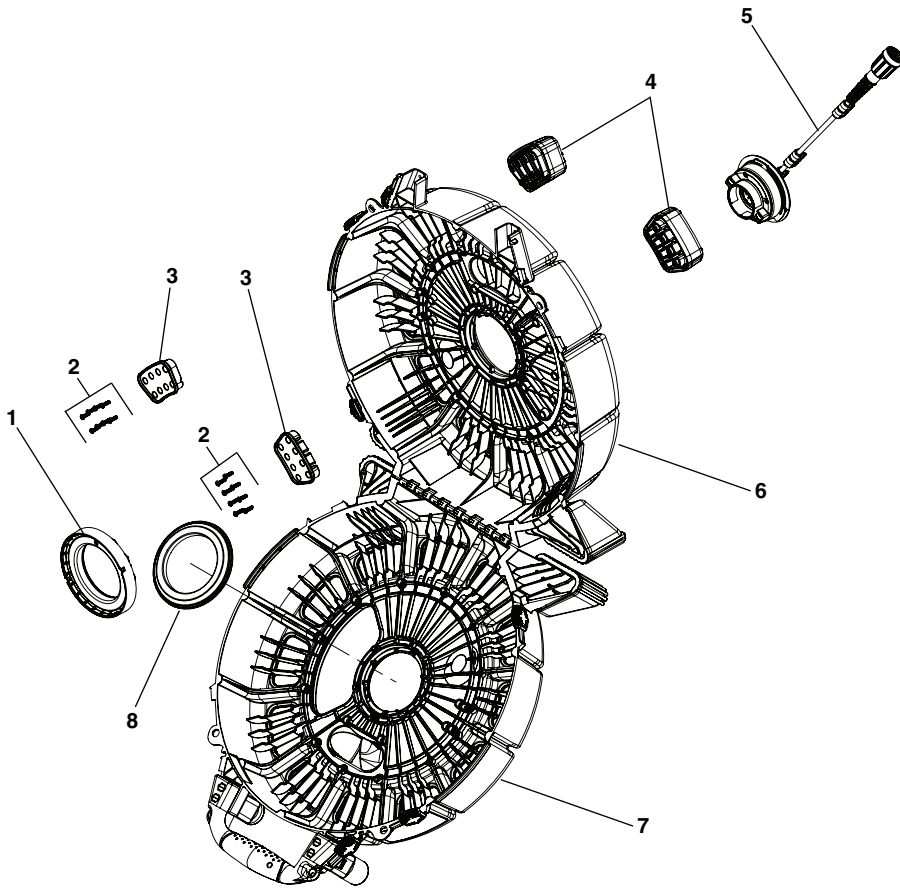
Ref. No.	Catalog No.	Description
—	43863	RM200 Push Cable Assembly 200 ft.
1	43888	Rear Spring Shell
2	44688	O-Ring
3	45383	O-Ring
4	45388	Push Nut
5	71222	O-Ring
6	24258	Push Bond
7	21913	Spring Cap
8	71067	Compression Nut
9	18818	Coil Cord
10	18823	Safety Cable
11	20278	Retaining Ring
12	20283	Connector w/Slot
13	20288	Connector Less Slot
14	20273	Locking Sleeve
15	71607	Clamp
16	35933	Sealing Clamp
17	35928	Wire Plug
18	36223	12 Pin IDC Connector
*	43113	Retermination Kit (Items Marked w/*)
Items Not Shown		
	22728	S.S. Spring
	21908	Compression Bushing (Incl. In Re-term Kit)
	18768	O-Ring (Incl. In Re-term Kit)
	21923	Inline Locking Sleeve



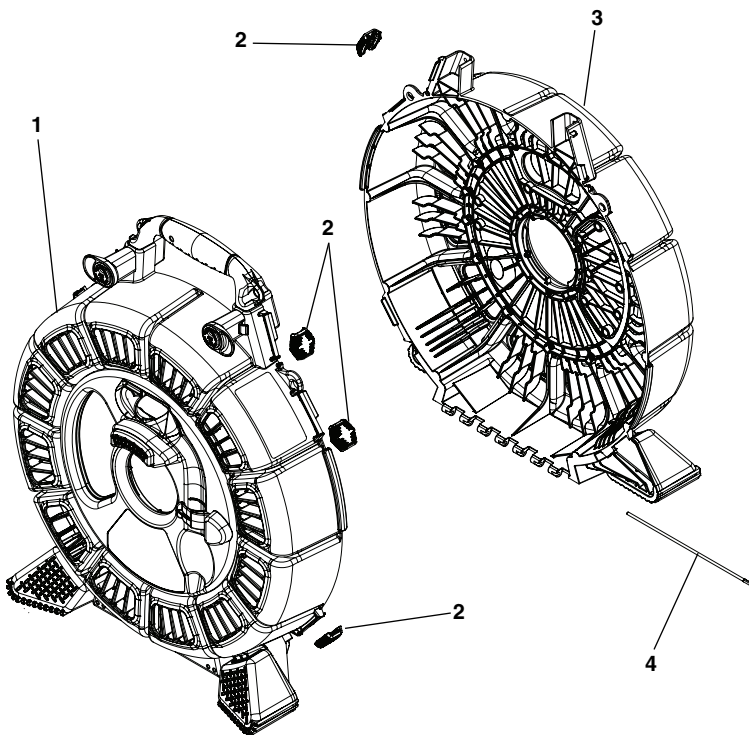
**NOTE: Order parts by Catalog Number only.
DO NOT order by Reference Number.**

Ref. No.	Catalog No.	Description
1	48648	Front Bumper
2	48658	Front Plate
3	24413	Screw, #6 x 1/2" (27)
4	48948	Wear Insert
5	48643	Wear Bar
6	35433	Screw, #6-32 x 3" (4)
7	35428	Cord Wrap Foot Retainer (2)
8	35423	Cord Wrap Foot (2)
9	35413	Cord Wrap (2)
10	35418	Cable Hook (2)
11	35398	Hex Nut (4)
12	50213	Handle
13	50228	Front Housing
14	48623	Foot (Right)
15	48628	Foot (Left)
16	48663	Camera Clamp Hook
17	48573	Spring
18	48578	Spring
Following Item Not Shown		
-	34878	CS-6 Dock

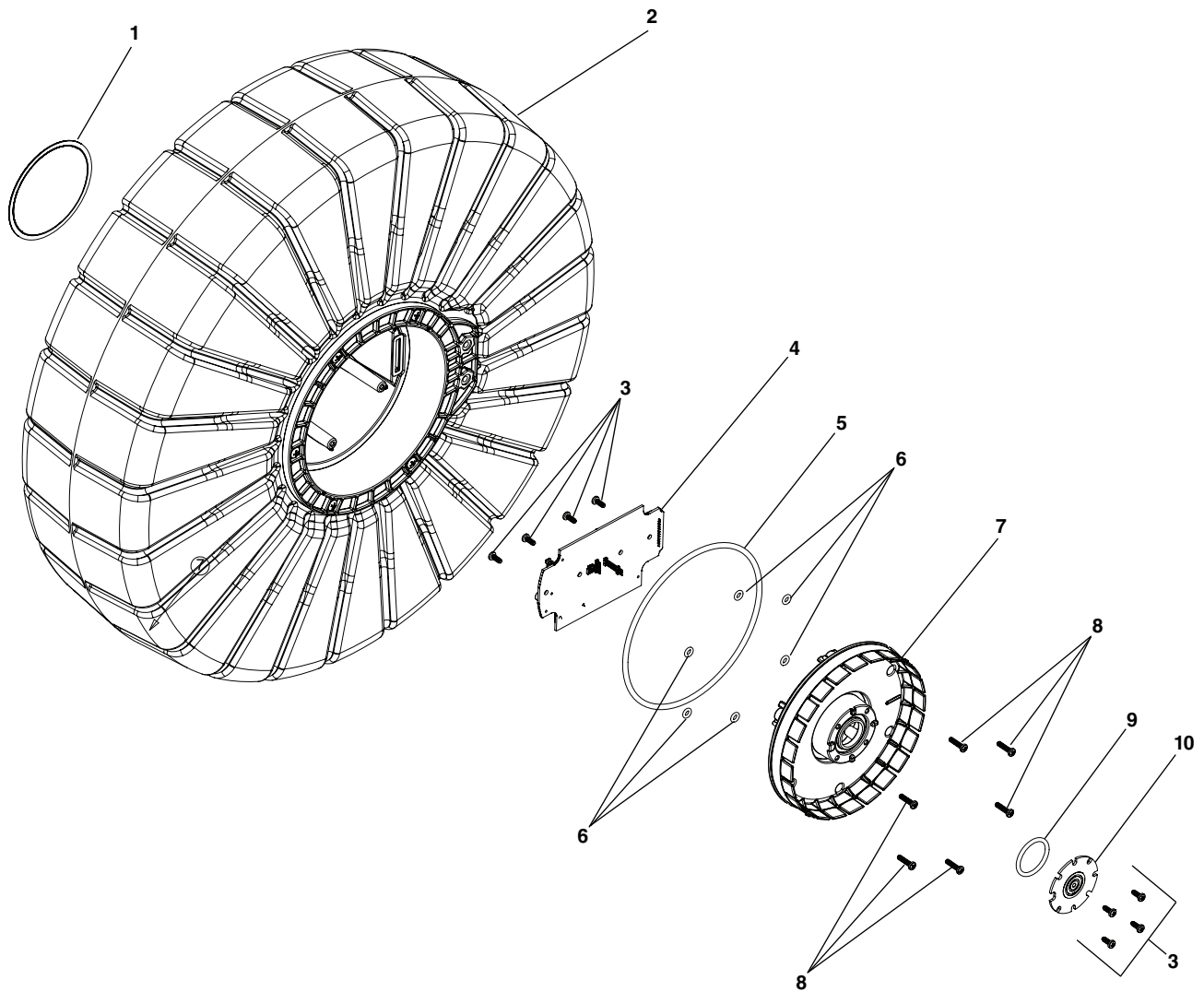
**NOTE: Order parts by Catalog Number only.
DO NOT order by Reference Number.**



Ref. No.	Catalog No.	Description
-	48598	Full Housing Assembly (Incl. 1-8)
1	47593	Rear Bearing Assembly
2	24413	Screw, #6 x 1/2" (16)
3	48653	Retainer (4)
4	48633	Upper Foot (2)
5	33108	Interconnect Cord Assembly
6	50233	Rear Housing
7	50228	Front Housing
8	47588	Front Bearing Assembly

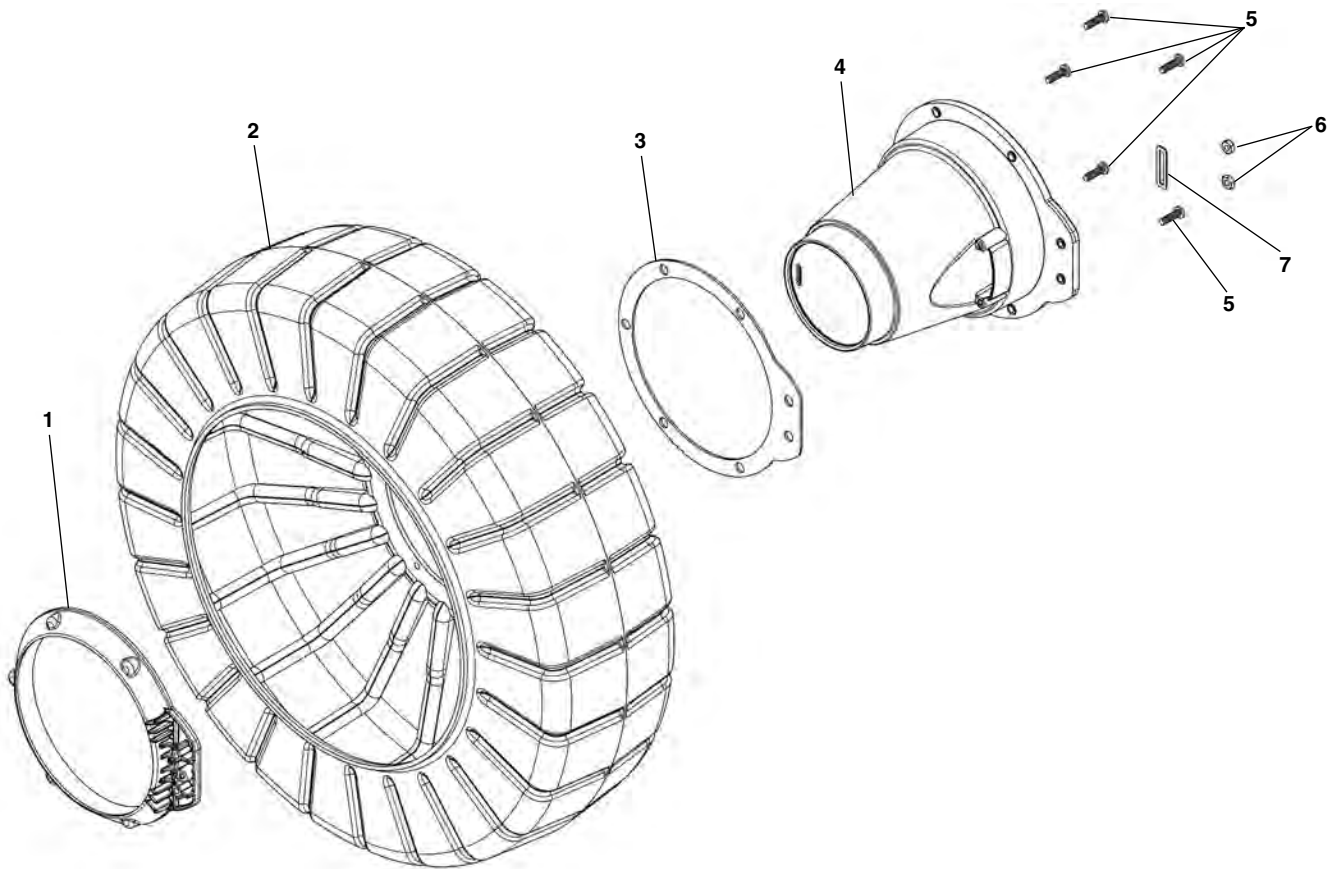


Ref. No.	Catalog No.	Description
1	50228	Front Housing
2	48953	Slide Latch (6)
3	50233	Rear Housing
4	48638	Hinge Pin



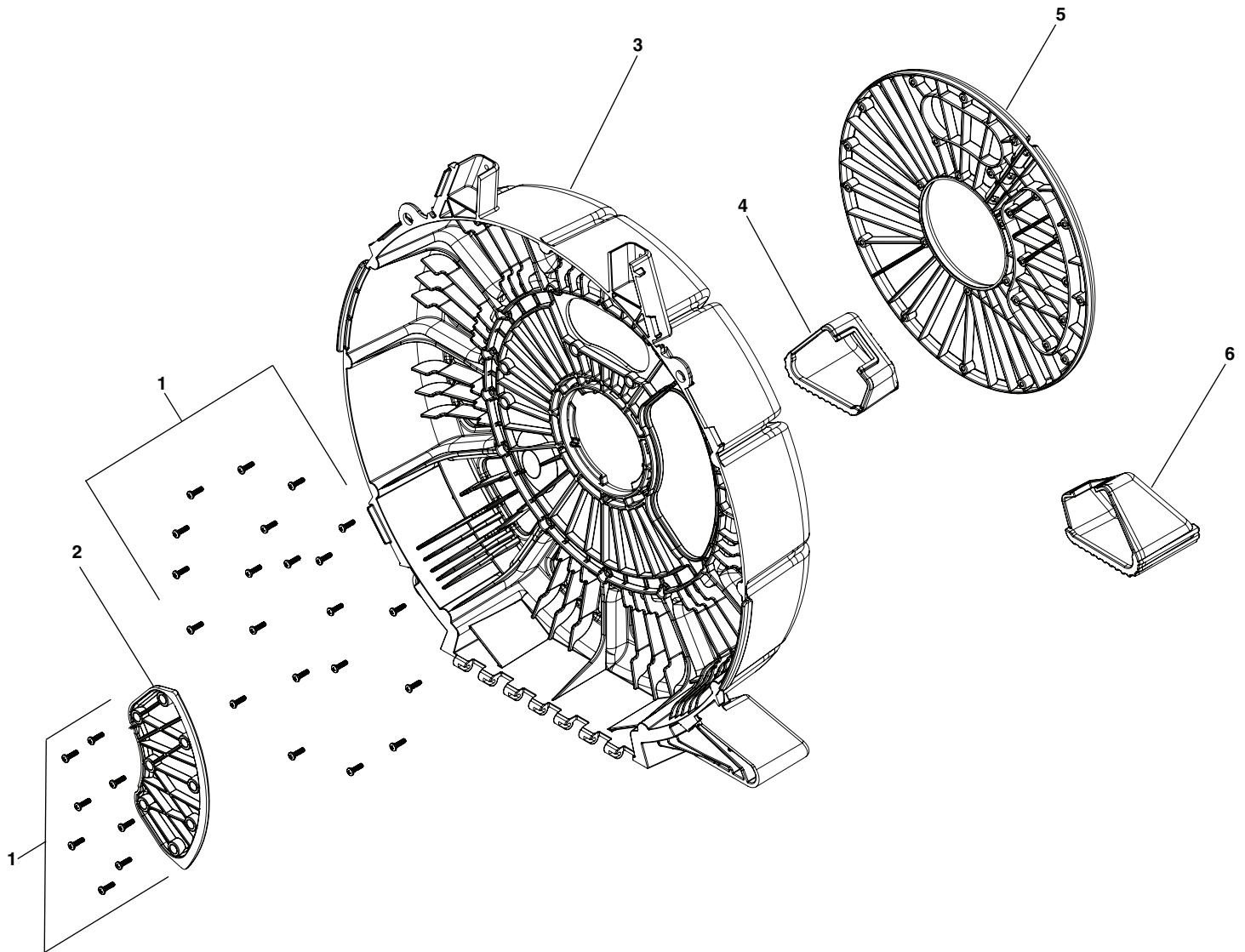
**NOTE: Order parts by Catalog Number only.
DO NOT order by Reference Number.**

Ref. No.	Catalog No.	Description
1	37198	Keypad
2	48603	Drum W/Electronics (Incl. Ref No's 1-10)
3	35548	Screw, #4-20 x 5/16" (8)
4	37188	Hub Board (Counting)
5	35618	O-Ring
6	35608	O-Ring (6)
7	35593	PCB Hub Mount
8	24488	Screw, #4 x 1/2"
9	35613	O-Ring
10	35598	Drum Side PCB



**NOTE: Order parts by Catalog Number only.
DO NOT order by Reference Number.**

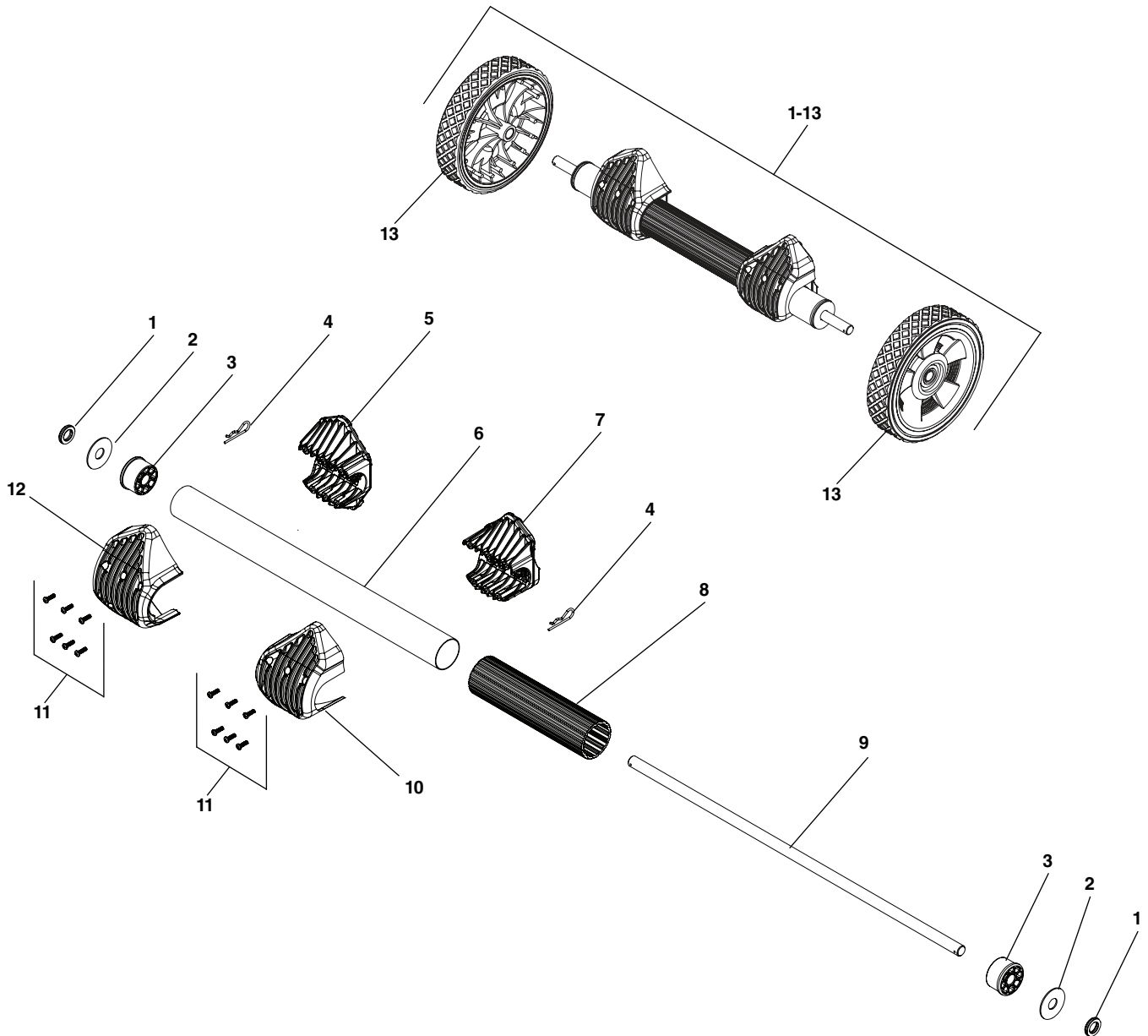
Ref. No.	Catalog No.	Description
1	35628	Hub Retainer
2	48618	Drum Only
3	35643	Drum Hub Gasket
4	48613	Hub Cone
5	30803	Screw, #8-16 x 5/8"
6	35648	Hex Nut, #8-32
7	35588	Connector Gasket



**NOTE: Order parts by Catalog Number only.
DO NOT order by Reference Number.**

Ref. No.	Catalog No.	Description
1	24413	Screw, #6 x 1/2" (29)
2	51643	Rear Reinforcement Plate
3	50233	Rear Housing
4	48623	Foot (Right)
5	48958	Rear Plate
6	48628	Foot (Left)

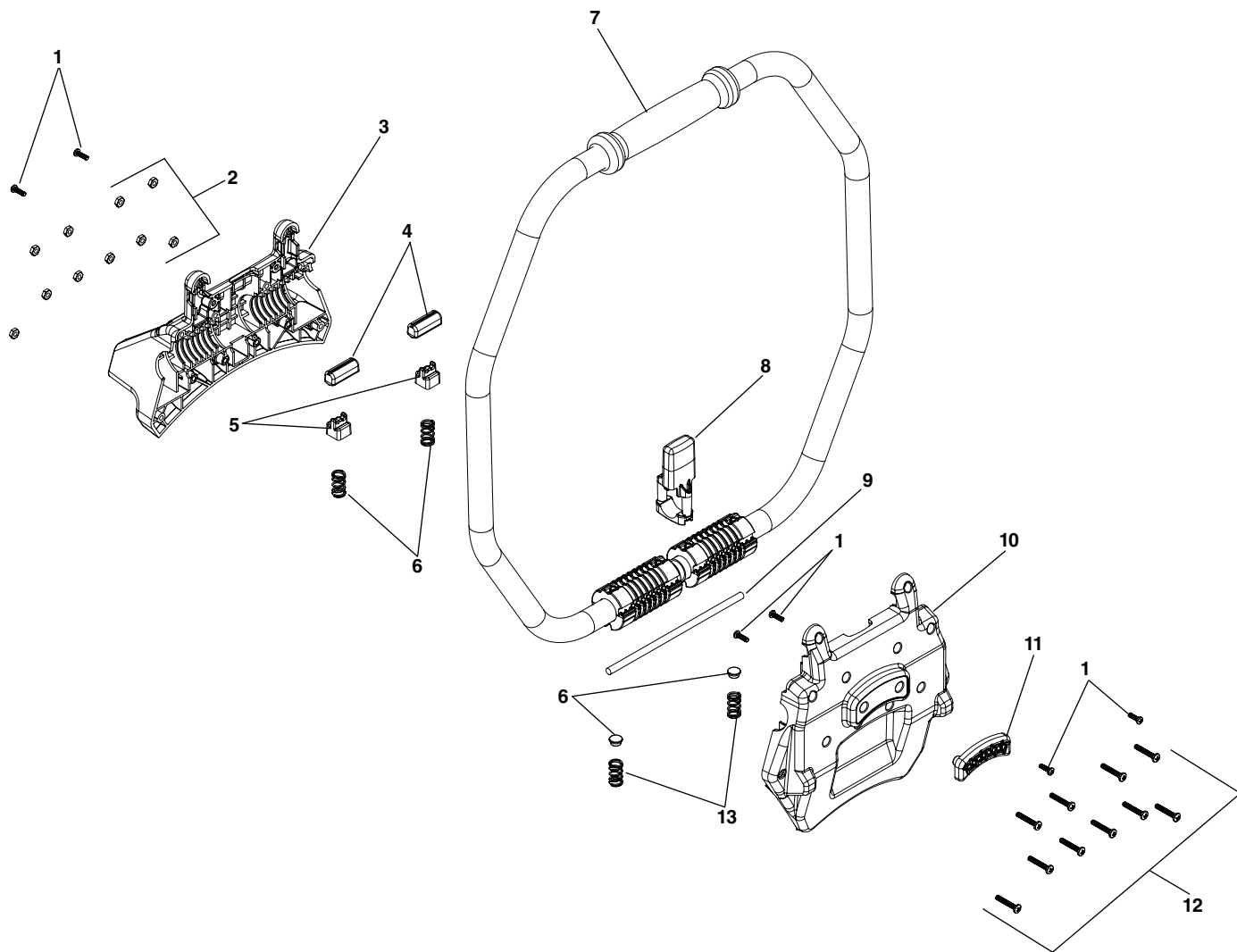
Transporter



**NOTE: Order parts by Catalog Number only.
DO NOT order by Reference Number.**

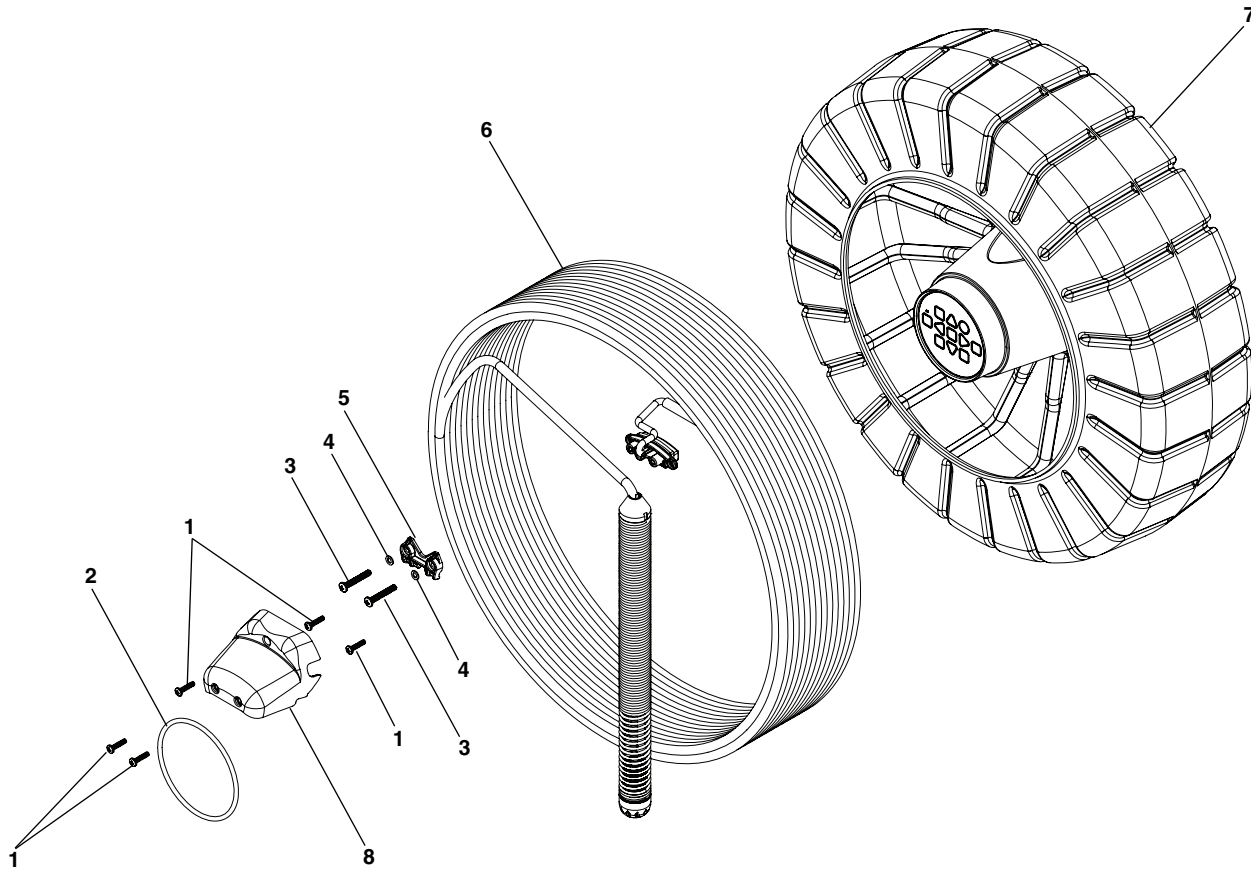
Ref. No.	Catalog No.	Description
—	50863	Wheel Asm. (Incl Ref No's 1-13)
1	48708	Axle Spacer (2)
2	50873	Flat Washer (2)
3	48673	Axle Plug (2)
4	50868	Hitch Pin (2)
5	48688	Axle Tube Mount (Left)
6	48683	Axle Tube
7	48693	Axle Tube Mount (Right)
8	48668	Axle Tube Sleeve
9	48678	Wheel Axle
10	48703	Axle Tube Cap (Right)
11	24413	Screw, #6 x 1/2" (12)
12	48698	Axle Tube Cap (Left)
13	68242	Wheel (2)

Handle Assembly



**NOTE: Order parts by Catalog Number only.
DO NOT order by Reference Number.**

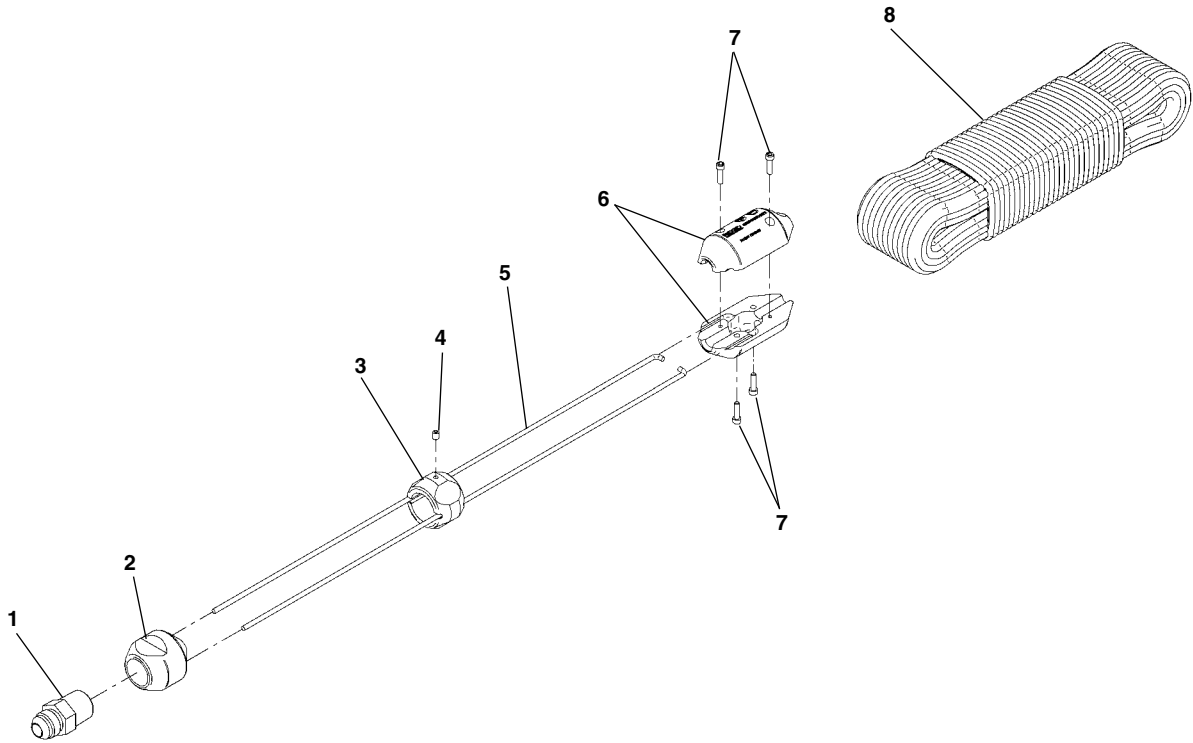
Ref. No.	Catalog No.	Description
-	48943	Handle & Mount Asm (Incl. #'s 1-13)
1	24413	Screw, #6 x 1/2" (6)
2	35648	Hex Nut (10)
3	48913	Inner Handle Mount
4	48928	Slide Lock (2)
5	48933	Handle Détente (2)
6	48583	Handle Springs (4)
7	48938	Handle
8	48918	Handle Button
9	50918	Lock Bar
10	48908	Outer Handle Mount
11	48648	Front Bumper
12	50923	Screw, #8-32 x 1" (10)
13	48923	Spring Cap (2)



**NOTE: Order parts by Catalog Number only.
DO NOT order by Reference Number.**

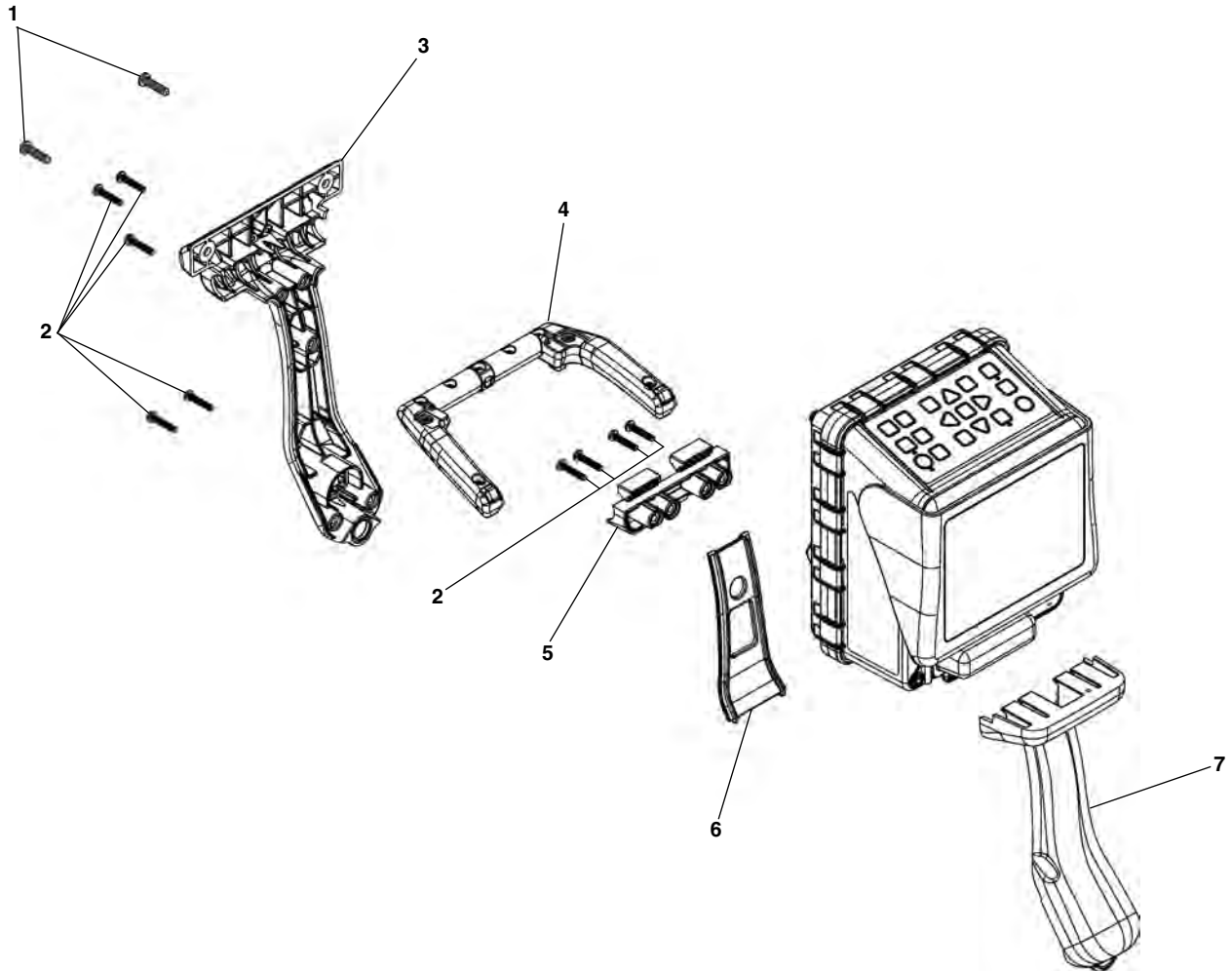
Ref. No.	Catalog No.	Description
1	35663	Screw, #6 x 5/8" (5)
2	49213	O-Ring
3	50833	Screw, #8-32 x 1 1/4" (2)
4	50838	Washer (2)
5	35658	Push Cable Retainer
6	43863	Push Cable Asm (Less Camera)
7	48603	Drum Asm. W/Electronics
8	50848	Hub Shield

CROSSCHEK Rig



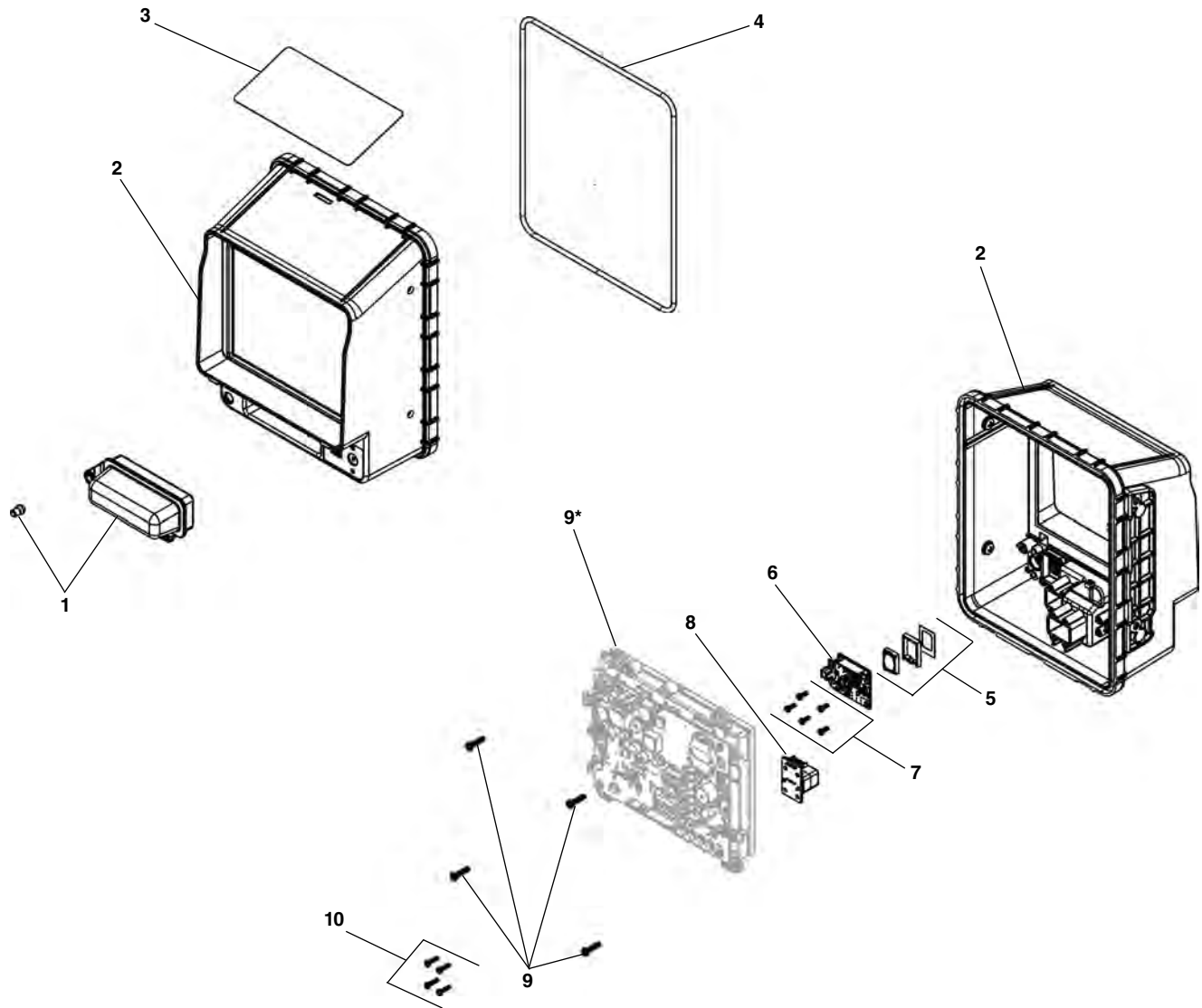
**NOTE: Order parts by Catalog Number only.
DO NOT order by Reference Number.**

Ref No.	Description	MicroReel CrossChek	MicroDrain CrossChek	NanoReel CrossChek
		Catalog No.	Catalog No.	Catalog No.
1	Adapter	43013	43013	43013
2	Viewing Cone	43003	43003	43008
3	Camera Guide	42983	42988	42993
4	Set Screw, #8-32 x 1/4"	42998	42998	42998
5	Pull Rod (2)	42978	42978	42978
6	Pushrod Clamp	42953	42958	42963
7	Screw, #6-32 x 1/2" (4)	42968	42968	42968
8	Rope, 3/16" x 100 ft.	42973	42973	42973



**NOTE: Order parts by Catalog Number only.
DO NOT order by Reference Number.**

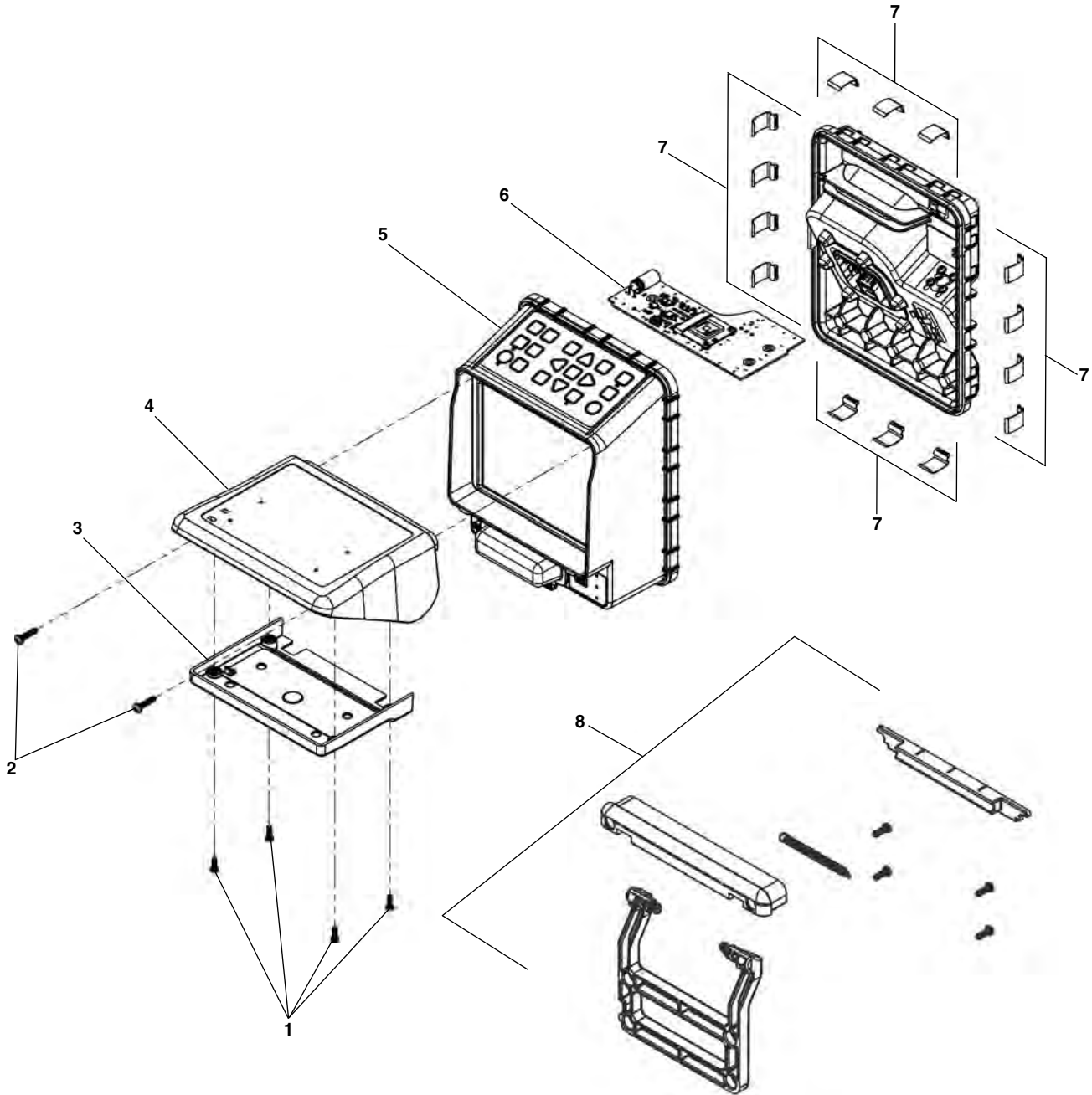
Ref. No.	Catalog No.	Description
1	49128	Screw, #8 x 3/4" (2)
2	24368	Screw, #6 x 3/4" (9)
3	49133	Bottom Handle
4	49148	Kickstand
5	49138	Handle Clamp
6	49143	Handle Insert
7	49153	Top Handle
Following Item Not Shown		
	50103	Handle Weight



**NOTE: Order parts by Catalog Number only.
DO NOT order by Reference Number.**

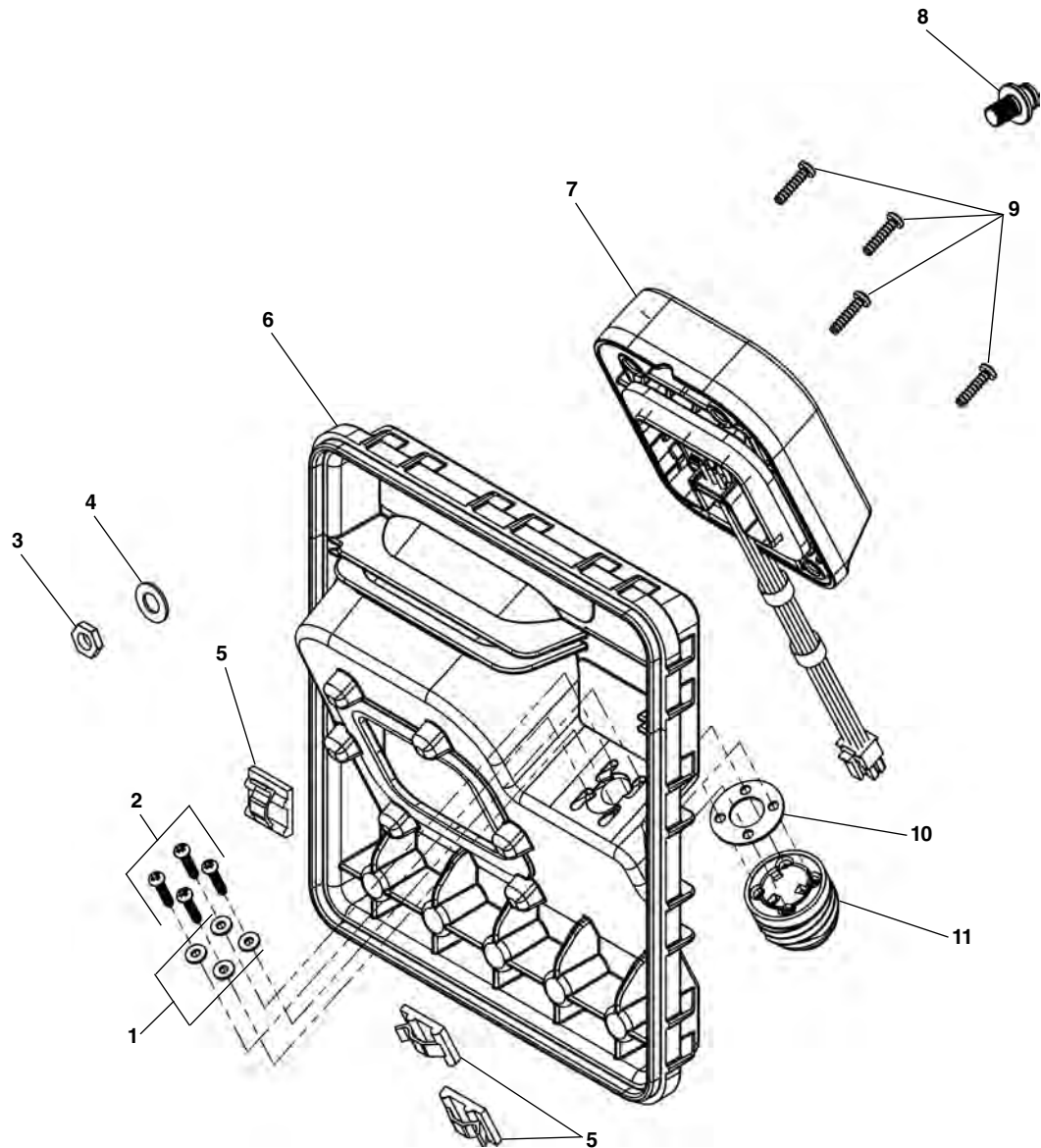
Ref. No.	Catalog No.	Description
1	49068	Front Connector Cover W/Pin
2	49073	Front Case (Less Keypad)
3	49078	Keypad W/Ribbon Cable
4	49083	Foam Seal
5	49088	Speaker Assembly
6	49093	Audio PCB
7	32208	Screw, #2 x 1/4" (5)
8	49103	USB Connector PCB
9	49118	Screw, #4 x 1/2" (4)
10	49123	Screw, #2 x 3/8" (4)

*Must Be Replaced By Factory Service Center.



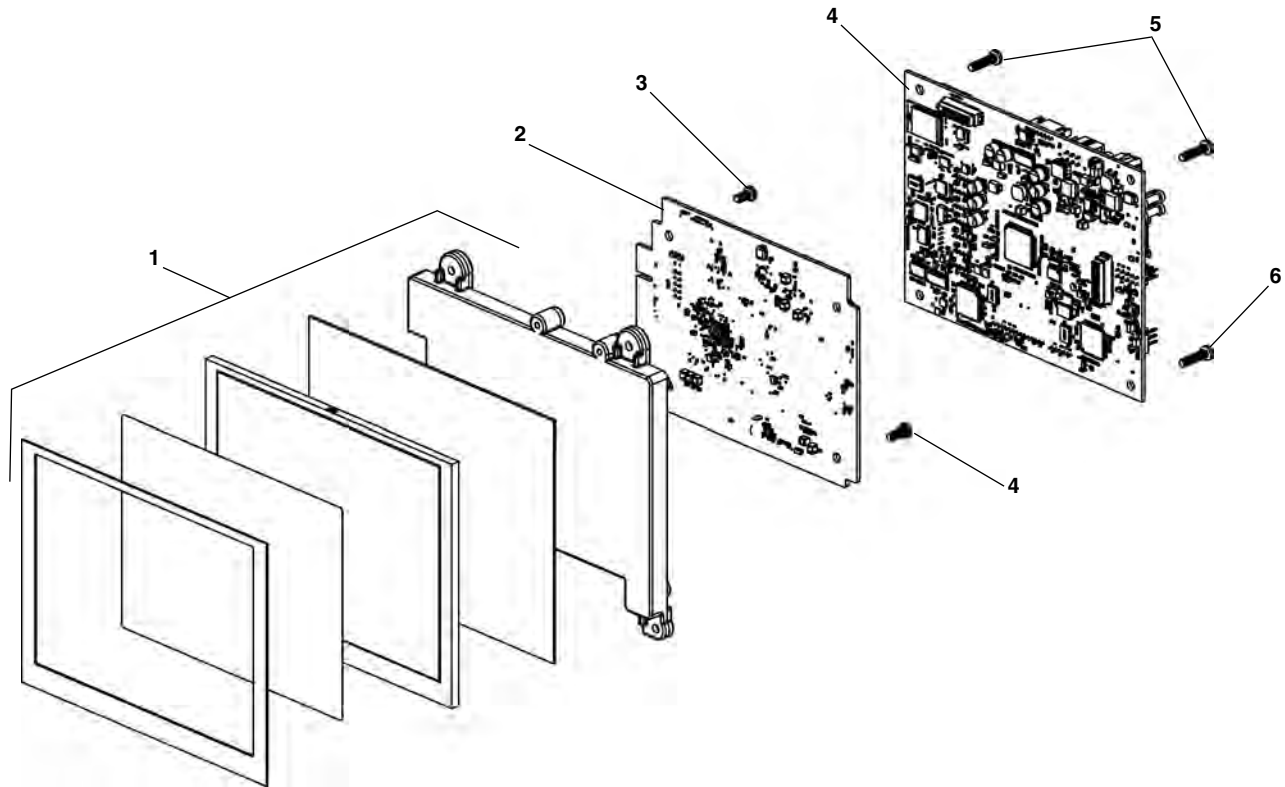
**NOTE: Order parts by Catalog Number only.
DO NOT order by Reference Number.**

Ref. No.	Catalog No.	Description
1	49043	Screw, #4-20 x 3/8" (4)
2	24288	Screw, #6 x 3/8" (2)
3	49048	Inner Lid Cover
4	49053	Sunhood
5	49078	Keypad W/Ribbon Cable
6	49063	Partition Circuit Board
7	34023	Housing Clip
8	49268	Lid Hinge Kit



**NOTE: Order parts by Catalog Number only.
DO NOT order by Reference Number.**

Ref. No.	Catalog No.	Description
1	49158	Flat Washer (4)
2	33908	Screw #3-24 x 1/2" (4)
3	49163	Hex Nut 1/4"-32
4	49168	Flat Washer
5	87247	Adhesive Clip (3)
6	49178	Rear Cover
7	49183	Battery Socket
8	33918	Ground Terminal
9	49118	Screw, #4 x 1/2" (4)
10	49188	Bulkhead Gasket
11	33848	Bulkhead

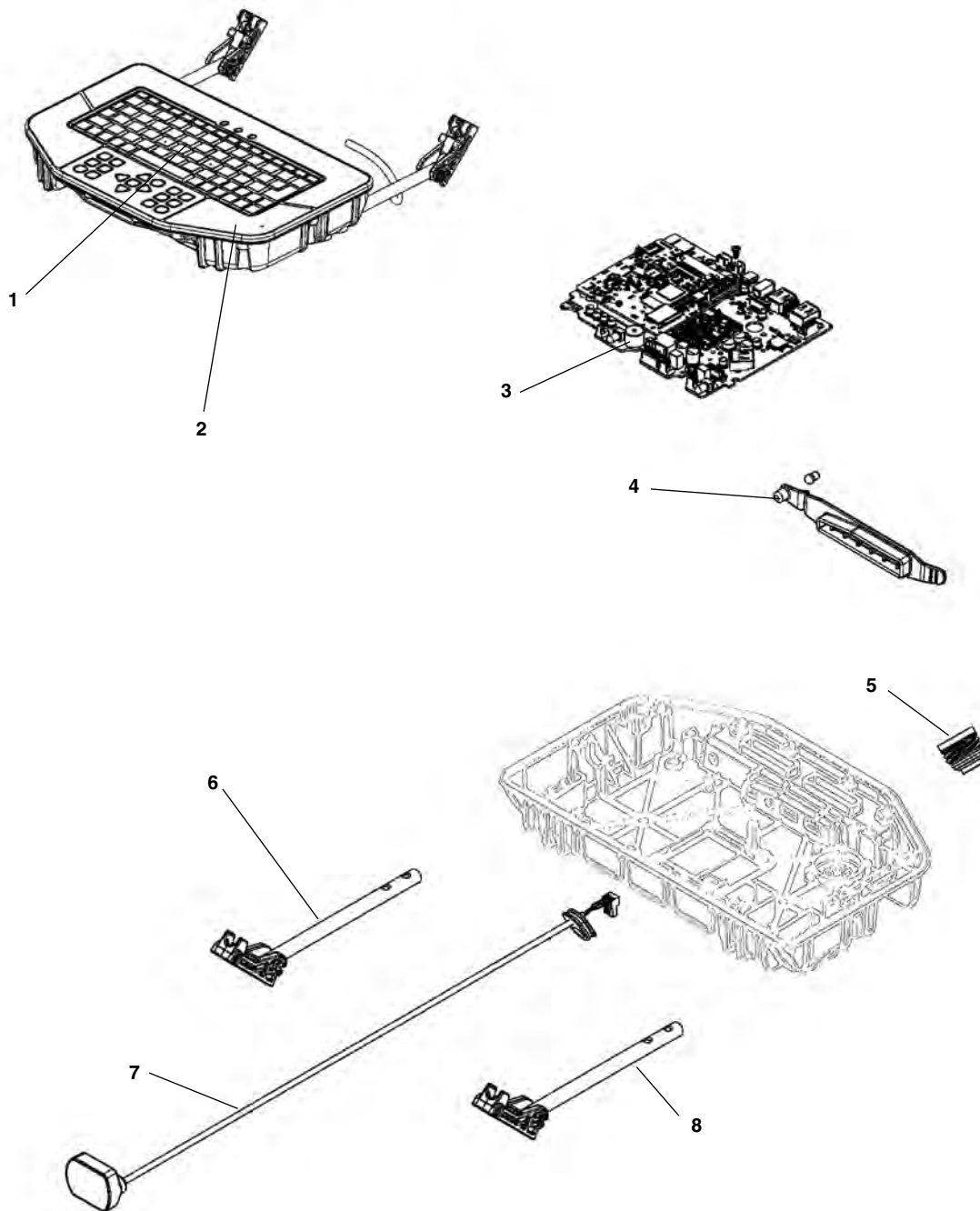


**NOTE: Order parts by Catalog Number only.
DO NOT order by Reference Number.**

Ref. No.	Catalog No.	Description
1*	49198	LCD Assembly (Type 1)
	51798	LCD Assembly (Type 2)
2*†	49208	Processor Board
3	31343	Screw, #4 x 1/4" (4)
4	49458	Camera Interface Board (Type 1 Only)
5	49118	Screw, #4 x 1/2" (4)
6		

* LCD Mounting Plate For Type 1 LCD Has 5 Holes.
Type 2 Mounting Plate Has 4 Holes.

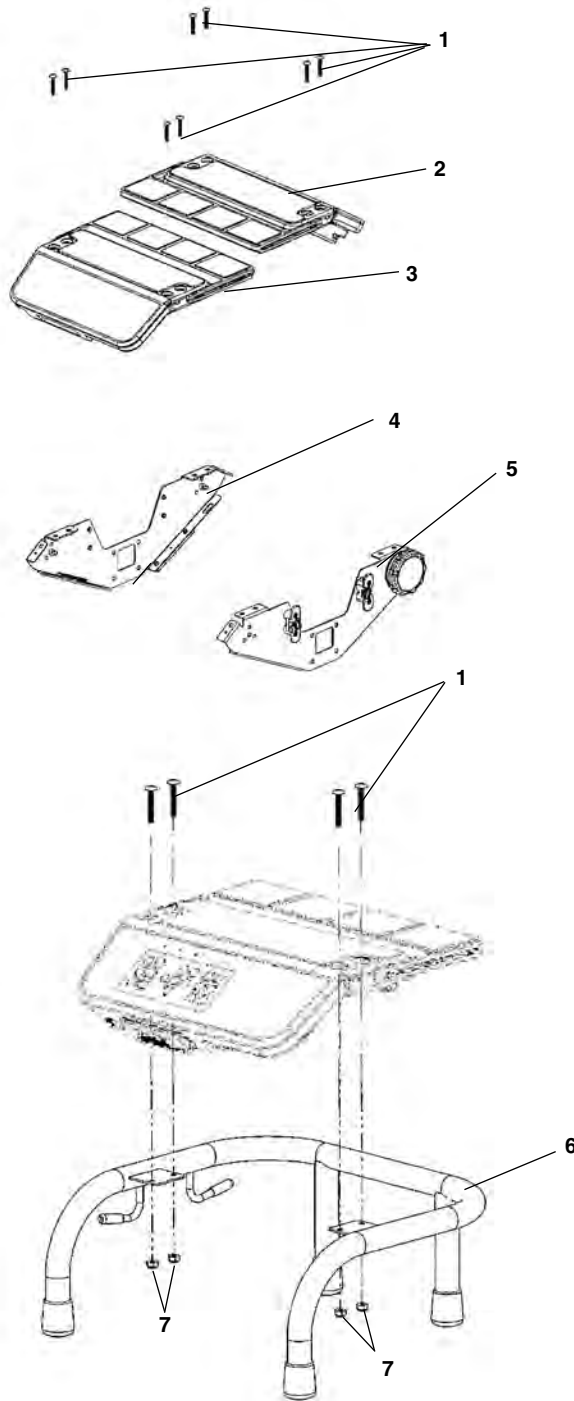
† Must Be Replaced By Factory Service Center.
Please Contact Ridge Tool Technical Service Dept. For
LCD Removal Instructions.



**NOTE: Order parts by Catalog Number only.
DO NOT order by Reference Number.**

<u>Ref. No.</u>	<u>Catalog No.</u>	<u>Description</u>
1	39803	CS1000 Keypad
2	39818	Keyboard
	39808	Keyboard Skin (Not Pictured)
3	39843	Circuit Board Set
4	39853	Connector Cover Set
5	40078	Bulkhead Connector
6	39833	Hinge Assembly (Left)
7	39838	Connector Cable
8	39828	Hinge Assembly (Right)

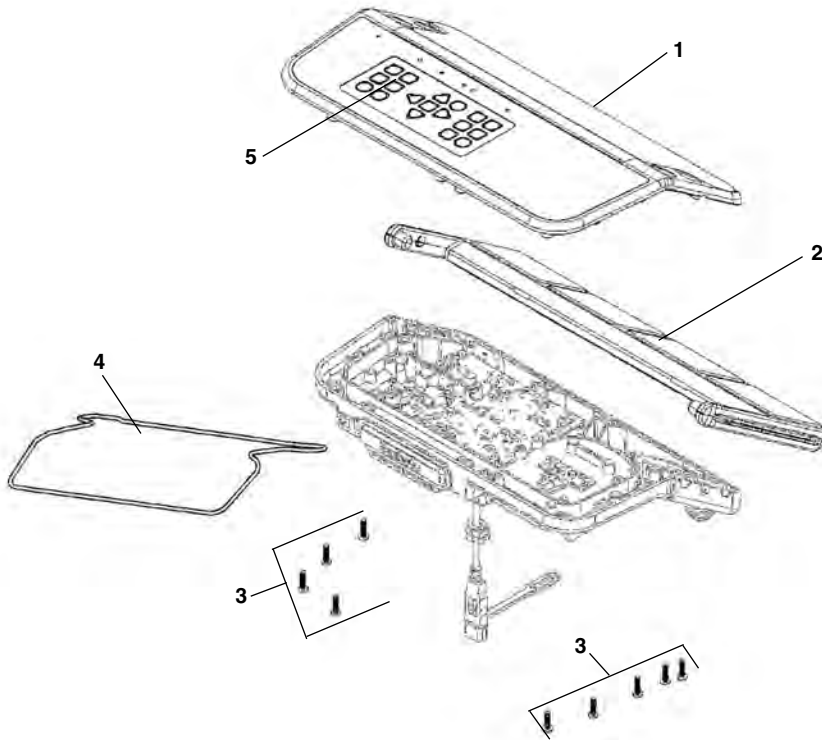
LT1000/LT1000M



**NOTE: Order parts by Catalog Number only.
DO NOT order by Reference Number.**

Ref. No.	Catalog No.	Description
1	40743	Screw, #10-32 x 1 1/4" (8)
2	40843	Bottom Case Assembly
3	40843	Top Case Assembly
4	40398	Rear Side Plate Assembly.
5	40393	Front Side Plate Assembly
6	40438	LT 1000M Frame Assembly
7	40883	Hex Nut, #10-32

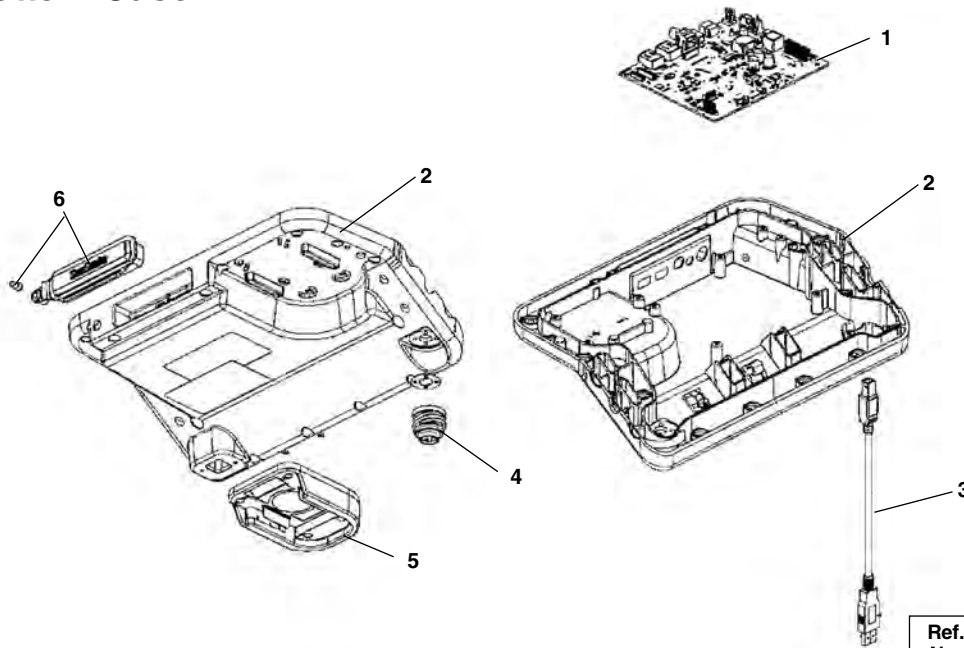
Top Case



NOTE: Order parts by Catalog Number only. DO NOT order by Reference Number.

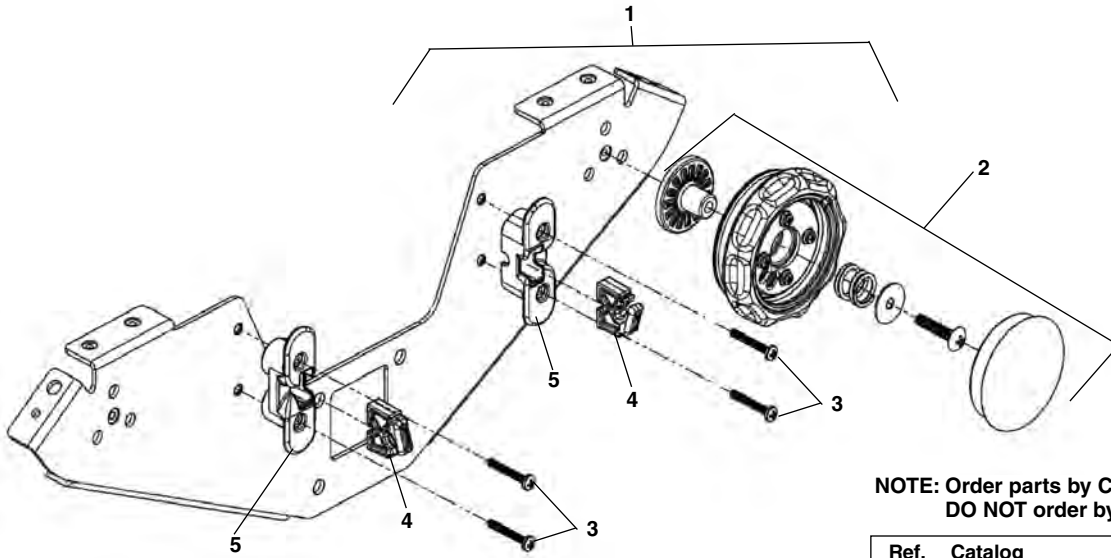
Ref. No.	Catalog No.	Description
1	40388	Top Case Assembly
2	39128	Winglet
3	97177	Screw, #6 x 1/2" (15)
4	40403	Seal
5	39803	Keypad

Bottom Case



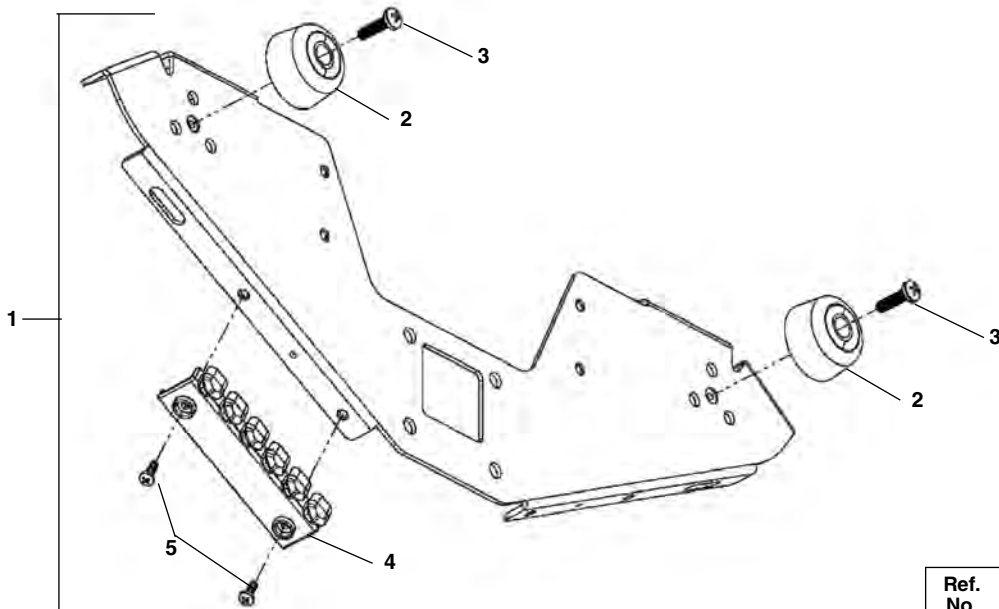
Ref. No.	Catalog No.	Description
1	40423	Main PCB Assembly
2	40843	Bottom Case (Less PCB)
3	40428	USB-B to USB-A Adapter (3 Ft.)
	40433	USB-B to USB-A Adapter (6 Ft.)
4	33848	Bulkhead Connector
5	33868	Battery Socket
6	40848	Front Cover Assembly

LT1000 Side Plate

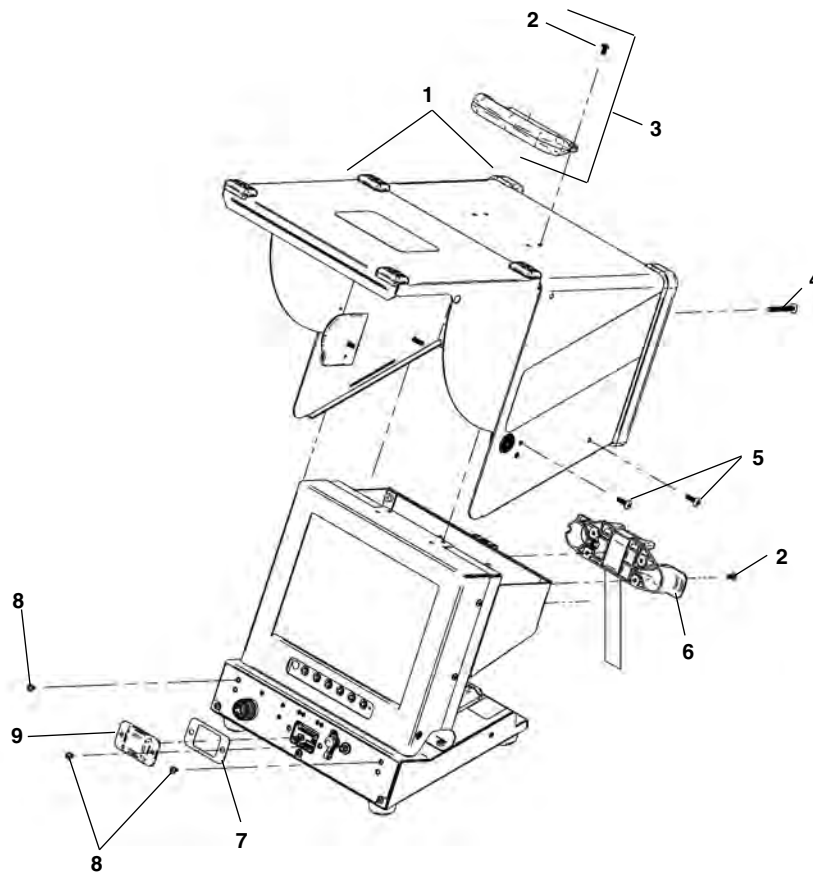


NOTE: Order parts by Catalog Number only. DO NOT order by Reference Number.

Ref. No.	Catalog No.	Description
1	40393	Front Side Plate Assembly \ (Incl ref no's 1-5)
2	40408	Adjustment Knob Kit
3	97177	Screw, #6 - 32 x 1" (4)
4	40418	Cord Wrap Insert (2)
5	40413	Cord Wrap

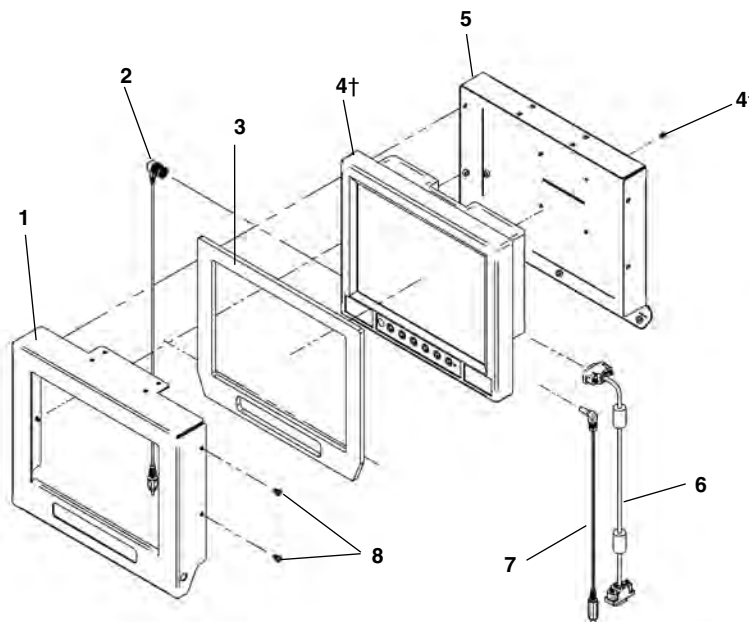


Ref. No.	Catalog No.	Description
1	40398	Rear Side Plate Assembly (Incl ref no's 1-5)
2	40763	Rubber Foot (2)
3	40728	Screw, #10 - 32 x 5/8" (2)
4	40768	Anchor Strap
5	40733	Screw, #6 - 32 x 3/8" (2)



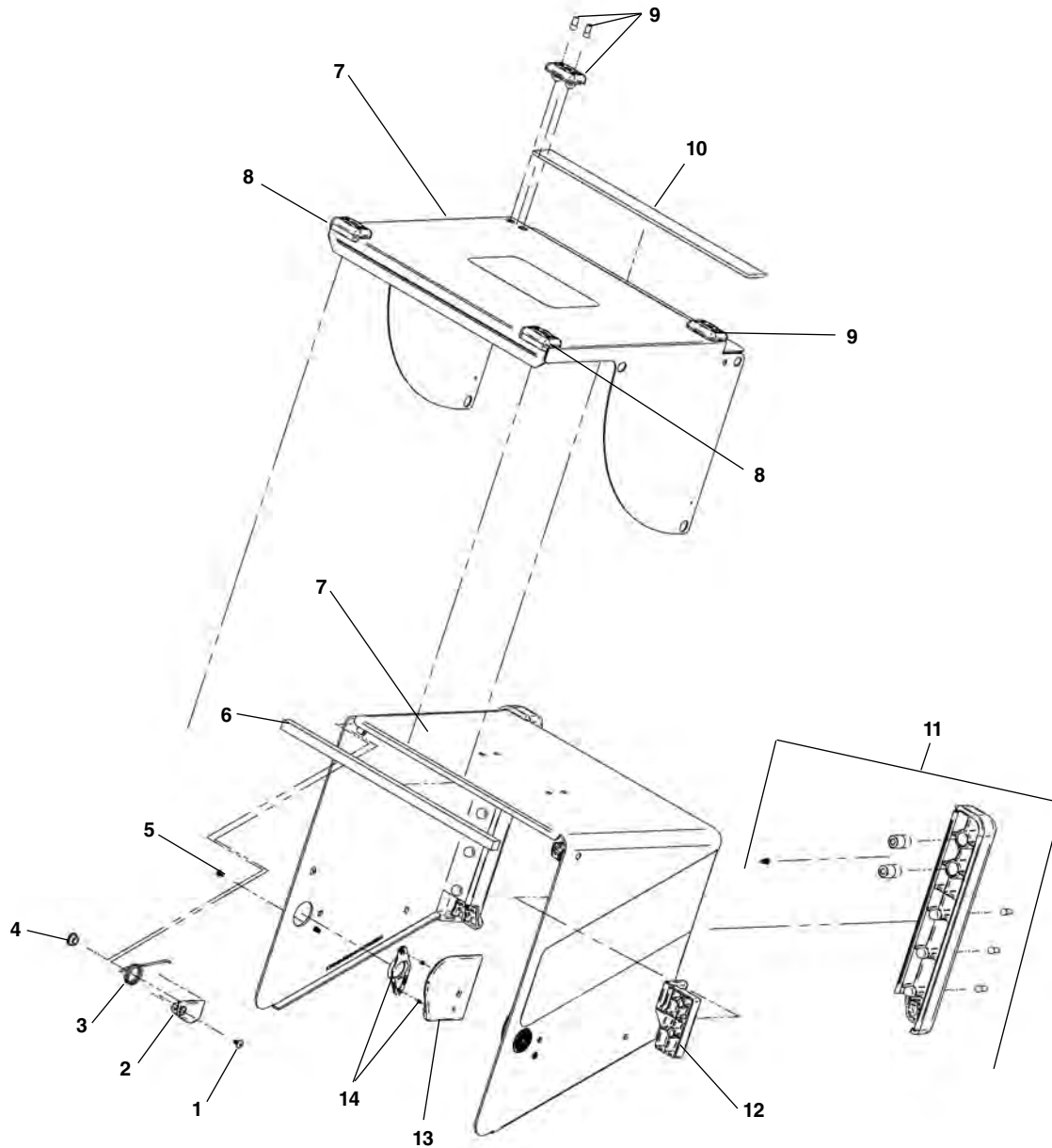
**NOTE: Order parts by Catalog Number only.
DO NOT order by Reference Number.**

Ref. No.	Catalog No.	Description
1	33263	Shell Asm.
2	33268	Screw 8-32 x 3/8" (8)
3	14838	Handle Asm.
4	33273	Screw 10-32 x 1 3/4" (4)
5	33278	Screw 10-32 x 5/8" (4)
6	33283	Cable Wrap
7	33288	VGA Gasket
8	33298	Screw 8-32 x 1/4" (6)
9	33293	VGA Cover



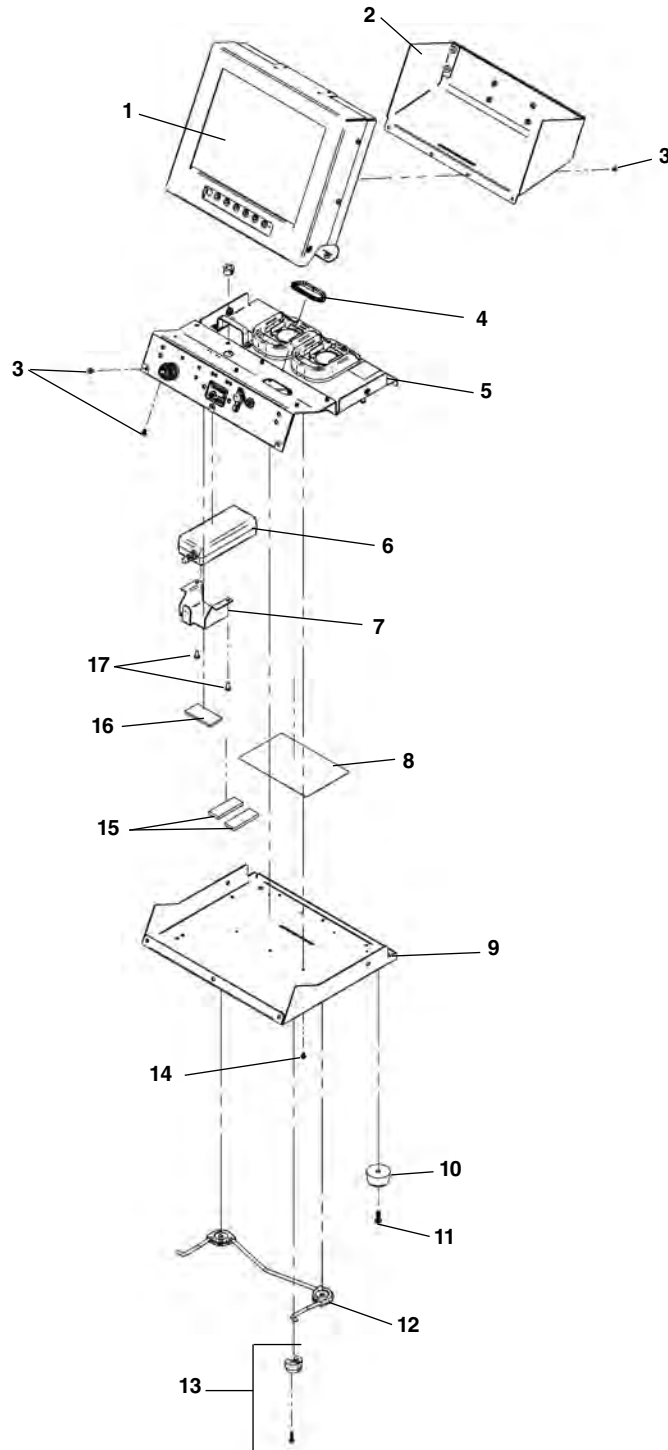
Ref. No.	Catalog No.	Description
1	33948	LCD Cover Plate
2	33953	BNC Cable Asm.
3	33958	LCD Gasket
4	33308	LCD Monitor
5	33963	LCD Mount Plate
6	33968	Male To Male VGA Cable
7	33973	DC Connector Cord
8	33298	Screw, 8-32 x 1/4" (4)

† Indicates That 4 M4 x 1.0 Screws Are Supplied With LCD Screen



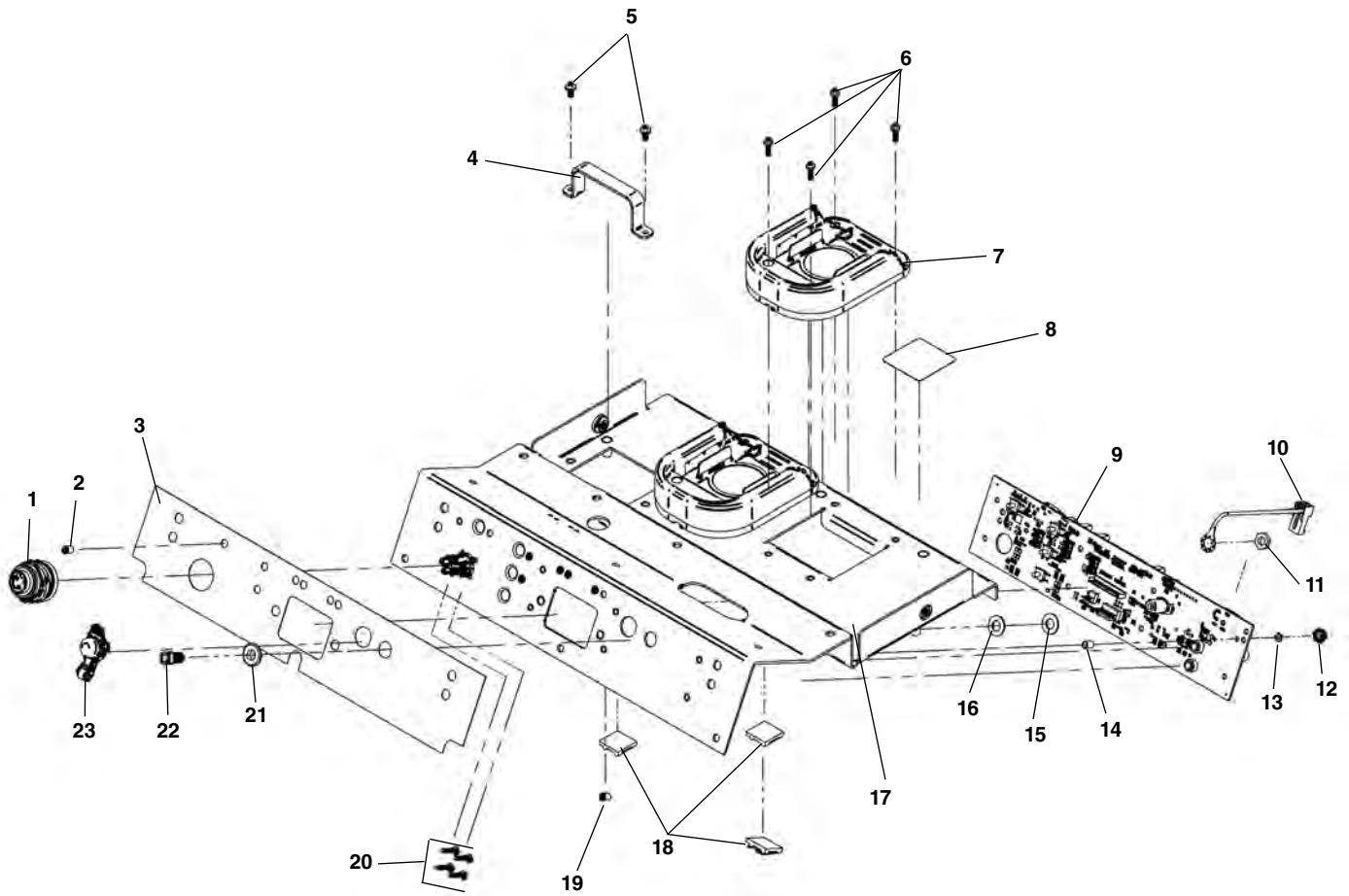
**NOTE: Order parts by Catalog Number only.
DO NOT order by Reference Number.**

Ref. No.	Catalog No.	Description	Ref. No.	Catalog No.	Description
1	33518	Screw, 6-32 x 1/4" (2)	9	33558	Rear Bumper Asm.
2	33523	Left Torsion Spring Cover	10	33563	Adhesive Foam Strip
	33528	Right Torsion Spring Cover (Not Shown)	11	33568	Left Bumper Asm.
3	33533	Left Torsion Spring		33573	Right Bumper Asm. (Not Shown)
	33538	Right Torsion Spring (Not Shown)	12	33578	Left Bumper Spacer
4	33543	Push In Fastener (2)		33583	Right Bumper Spacer (Not Shown)
5	14913	Screw 4-40 x 3/16"	13	14983	Right Button Block
6	33548	Foam Strip		14978	Left Button Block (Not Shown)
7	33263	Shell Asm.	14	14018	Push Button & Spring Asm.
8	33553	Front Bumper Asm.			



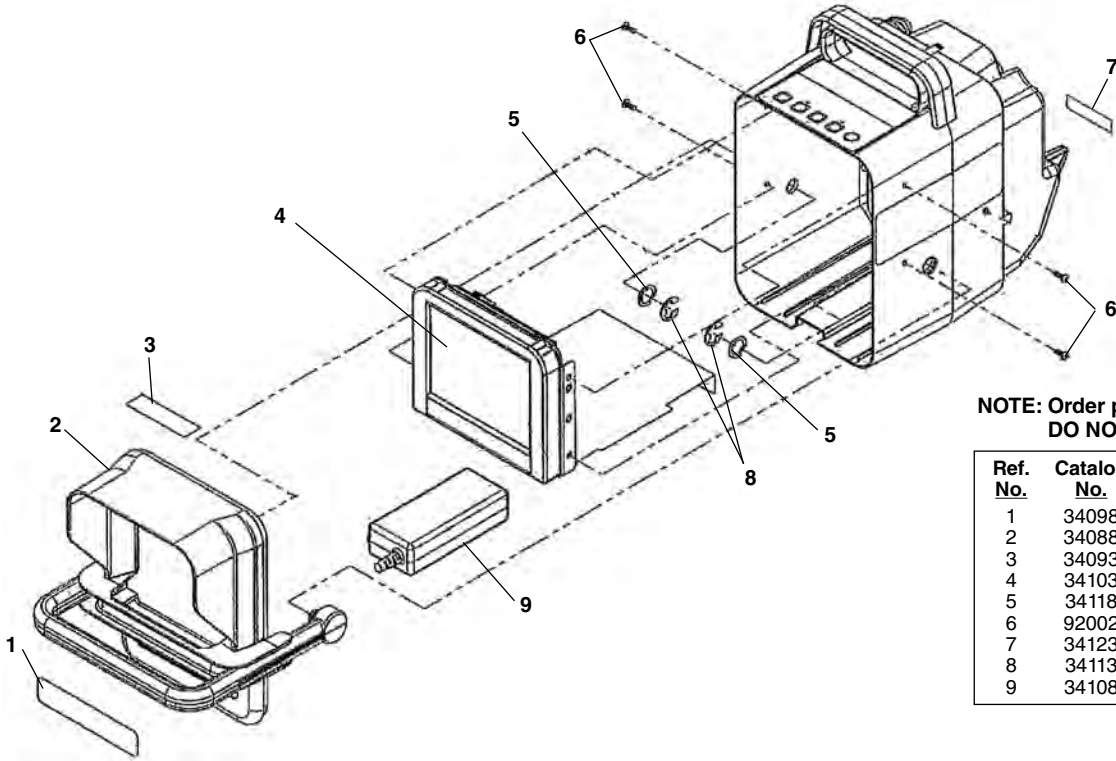
**NOTE: Order parts by Catalog Number only.
DO NOT order by Reference Number.**

Ref. No.	Catalog No.	Description	Ref. No.	Catalog No.	Description
1	44453	LCD Only - 12.1"	11	14923	Screw, 10-32 x 5/8" (4)
2	33313	Rear Pocket	12	33338	Kickstand
3	33298	Screw, 8-32 x 1/4" (10)	13	14878	Kickstand Retainer Asm.
4	33363	Adhesive Gasket	14	33343	Screw, 6-32 x 1/4" (8)
5	33318	Middle Plate w/Electronics	15	33348	Neoprene Foam
6	33368	Power Supply	16	33353	Foam Rubber
7	33323	Power Supply Retaining Bracket	17	33268	Screw, 8-32 x 3/8" (2)
8	33328	Battery Insulation Label	Items Not Shown		
9	33333	Bottom Plate	—	33373	Power Cord Only (U.S.)
10	14918	Bottom Leg	—	33378	Power Cord Only (Euro)



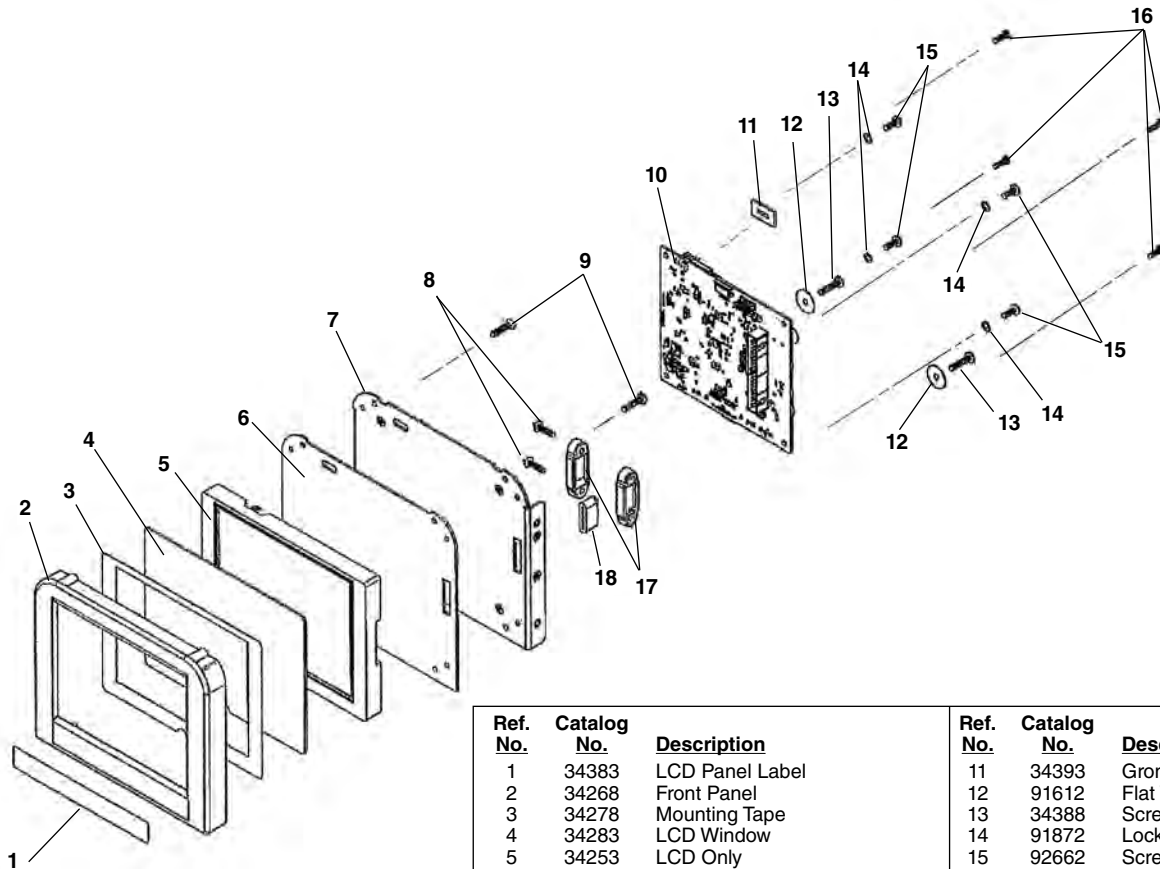
**NOTE: Order parts by Catalog Number only.
DO NOT order by Reference Number.**

Ref. No.	Catalog No.	Description	Ref. No.	Catalog No.	Description
1	33848	Bulkhead	13	88047	Split Lock Washer
2	33853	Pipe Light (5)	14	33888	Spacer (8)
3	33858	Front Label	15	33893	Stainless Steel Washer (2)
4	33863	Power Supply Strap	16	33898	Nylon Washer (2)
5	33343	Screw, 6-32 x 1/4" (2)	17	33318	Plate w/Electronics
6	33928	Screw, 4-40 x 3/8" (4)	18	87247	Adhesive Wire Clips (3)
7	33868	Battery Socket	19	33938	Light Grommet (5)
8	33873	Warning Label	20	33908	Screw, 3-24 x 1/2" (4)
9	33878	Circuit Board Assembly	21	33913	Shoulder Washer
10	33883	Ground Terminal Cable Asm.	22	33918	Ground Terminal
11	33933	Hex Nut	23	33923	RCA Cover
12	91767	4-40 Hex Nut (8)			

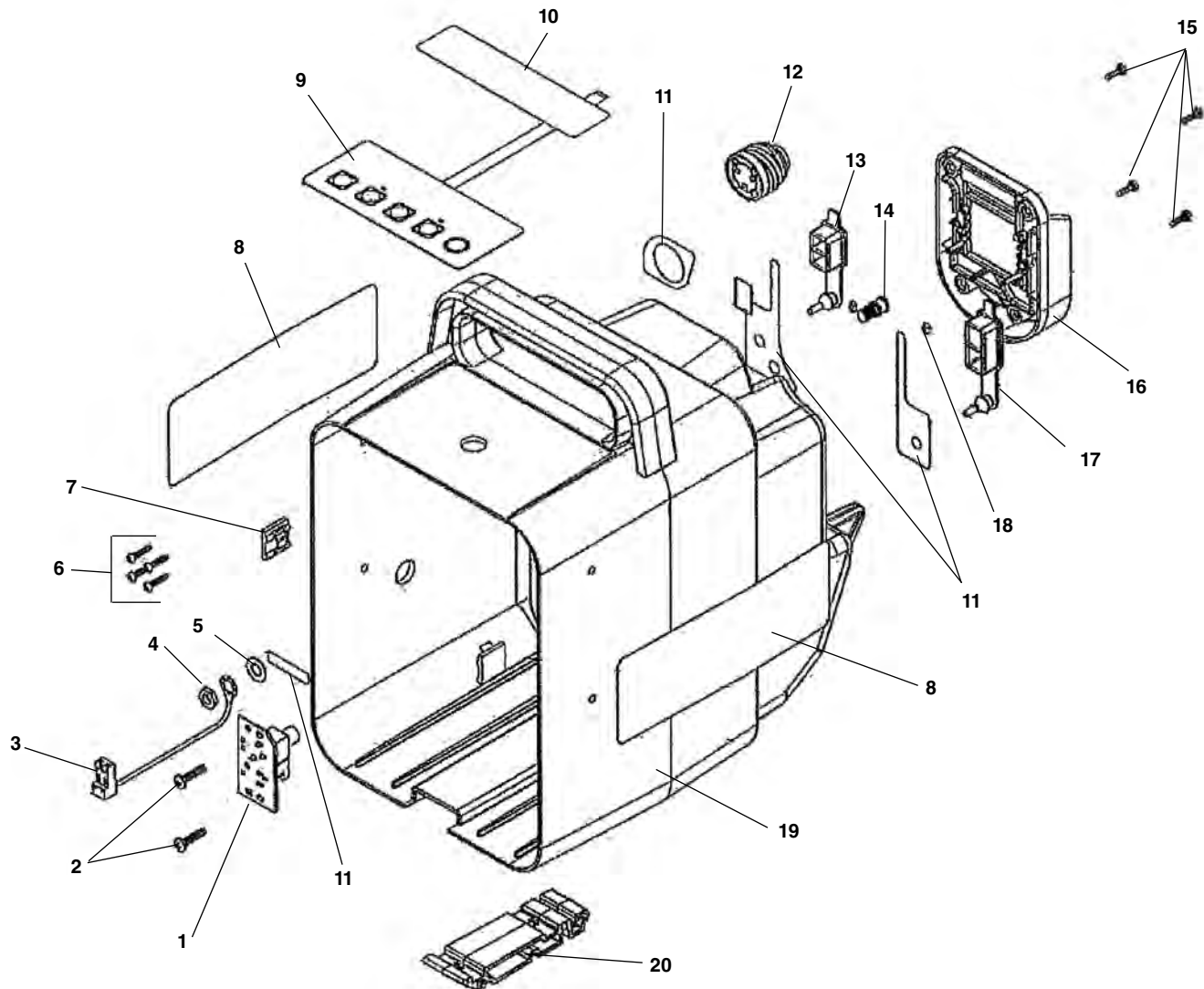


NOTE: Order parts by Catalog Number only. DO NOT order by Reference Number.

Ref. No.	Catalog No.	Description
1	34098	Lid Label
2	34088	Lid Kickstand Asm
3	34093	Icon Label
4	34103	LCD Assembly
5	34118	Wave Washer (2)
6	92002	Screw, #6-32 x 3/8" (4)
7	34123	CSA Label
8	34113	Retaining Ring (2)
9	34108	Power Supply

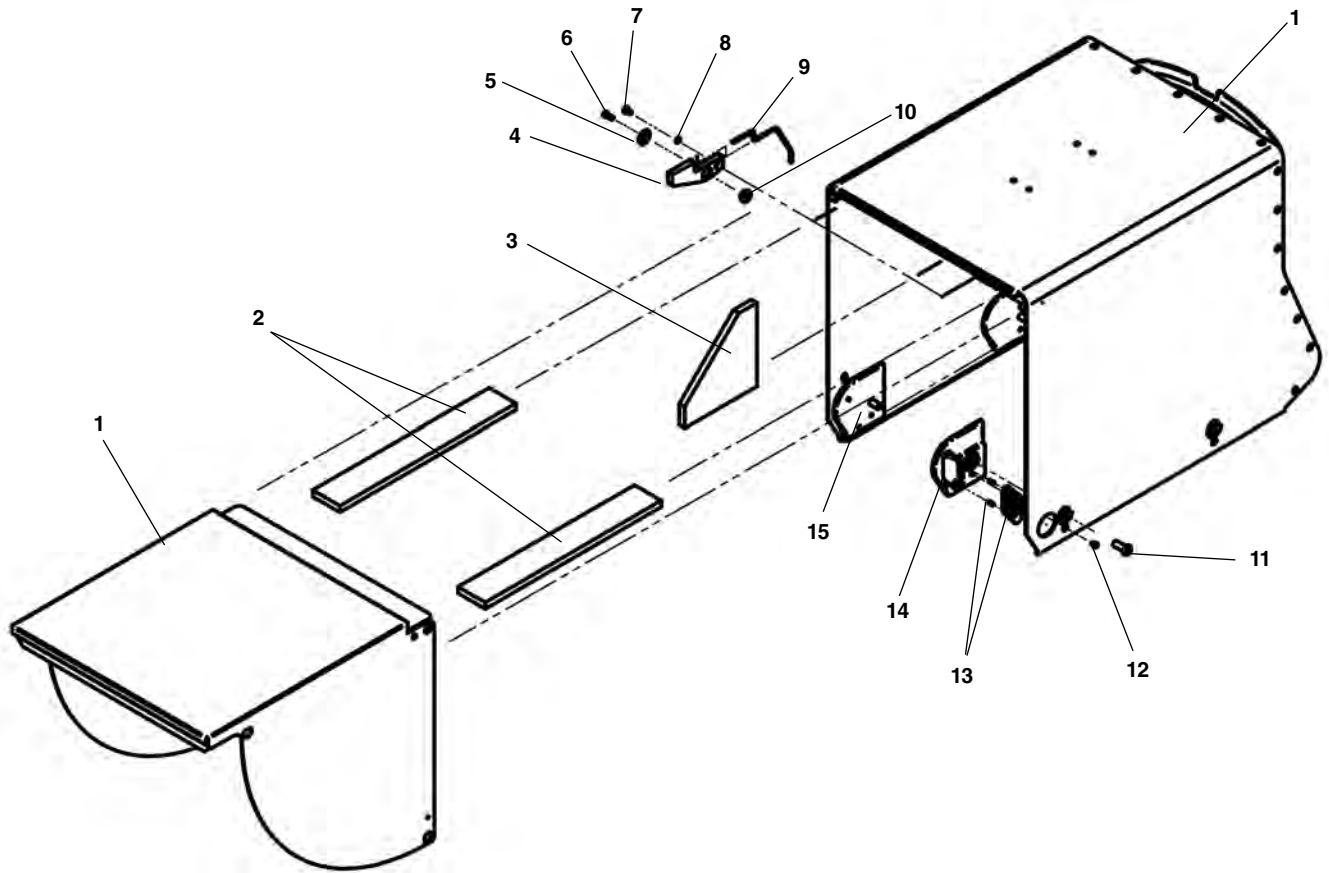


Ref. No.	Catalog No.	Description	Ref. No.	Catalog No.	Description
1	34383	LCD Panel Label	11	34393	Grommet, Backlight Cable
2	34268	Front Panel	12	91612	Flat Washer (2)
3	34278	Mounting Tape	13	34388	Screw, #6 x 5/8" (4)
4	34283	LCD Window	14	91872	Lockwasher (4)
5	34253	LCD Only	15	92662	Screw, #6-32 x 3/8" (4)
6	34273	Mounting Pad	16	24553	Screw, #4-20 x 3/8" (4)
7	34258	LCD Mounting Plate	17	34408	Ferrite Support (2)
8	92662	Screw, #6-32 x 3/8" (4)	18	34413	Ferrite
9	34388	Screw, #6 x 5/8" (4)	Not Shown		
10	34263	LCD Interface Circuit Board	—	34423	LCD Conductor Cable



**NOTE: Order parts by Catalog Number only.
DO NOT order by Reference Number.**

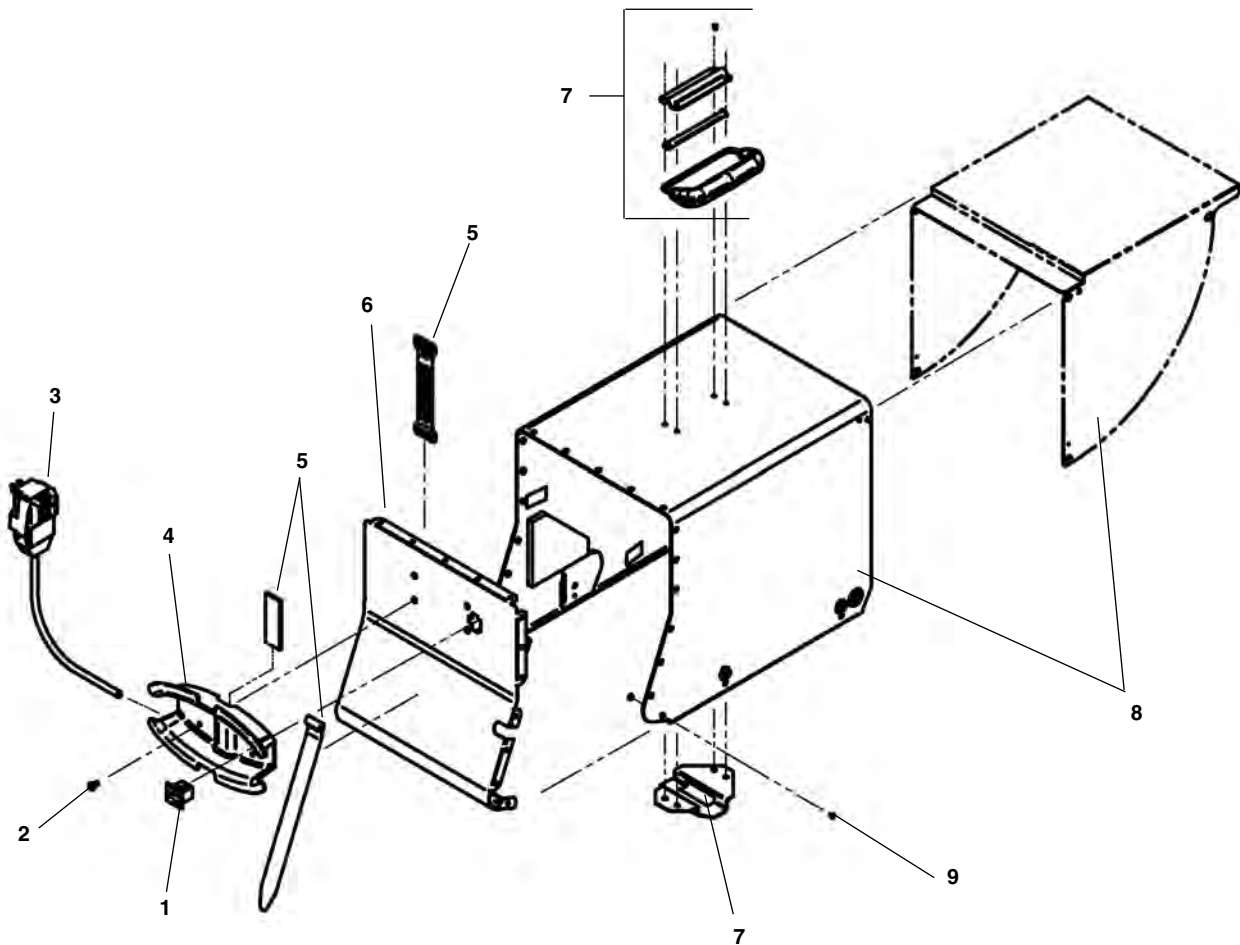
Ref. No.	Catalog No.	Description	Ref. No.	Catalog No.	Description
1	34153	Power/Video Circuit Board	11	34158	Rear Label Set
2	34388	Screw, #6 x 5/8"	12	33848	Bulkhead Asm.
3	33883	Ground Terminal Cable Asm.	13	34173	USB Connector Cover
4	33933	Hex Nut	14	34163	Ground Terminal
5	33893	Stainless Steel Washer	15	34183	Screw, #4-20 x 3/8" (4)
6	33908	Screw, #3-24 x 1/2" (4)	16	33868	Battery Socket
7	87247	Adhesive Clip (2)	17	97692	Dust Cover
8	34203	Left & Right Label Set	18	34168	O-Ring (2)
9	34133	Keypad	19	34128	MiniPak Case
10	34138	Top Label	20	34148	Ratchet Kickstand



**NOTE: Order parts by Catalog Number only.
DO NOT order by Reference Number.**

Ref. No.	Catalog No.	Description
1	10203	Monitor+VCR Housing Assembly (B&W) (Includes Ref. No. 1-11)
	10208	Monitor+VCR Housing Assembly (Color)
	25248	LCD Monitor/DVDR Housing Assembly (Includes Ref. No. 1-11)
2	14963	Top Foam Packing (Monitor/VCR)
	25253	Top Foam Packing (LCD/DVDR)
3	14968	Side Foam Packing
4	91587	Left Cover Block
	91592	Right Cover Block (Not Shown)
5	91612	Hood Retaining Washer (2)
6	91622	Pivot Screw (2)
7	91607	Hood Retaining Screw (2)
8	91617	Sun Hood O-Ring (2)
9	91602	Sun Hood Spring (Monitor/VCR) (2)
	25268	Sun Hood Spring (LCD Monitor/DVDR) (2)
10	91597	Pivot Shoulder Washer (2)
11	16843	Hex Head Screw (2)
12	14913	Screw (4)
13	14018	Push Button & Spring Assembly (2)
14	14983	Right Button Block Assembly
15	14978	Left Button Block Assembly

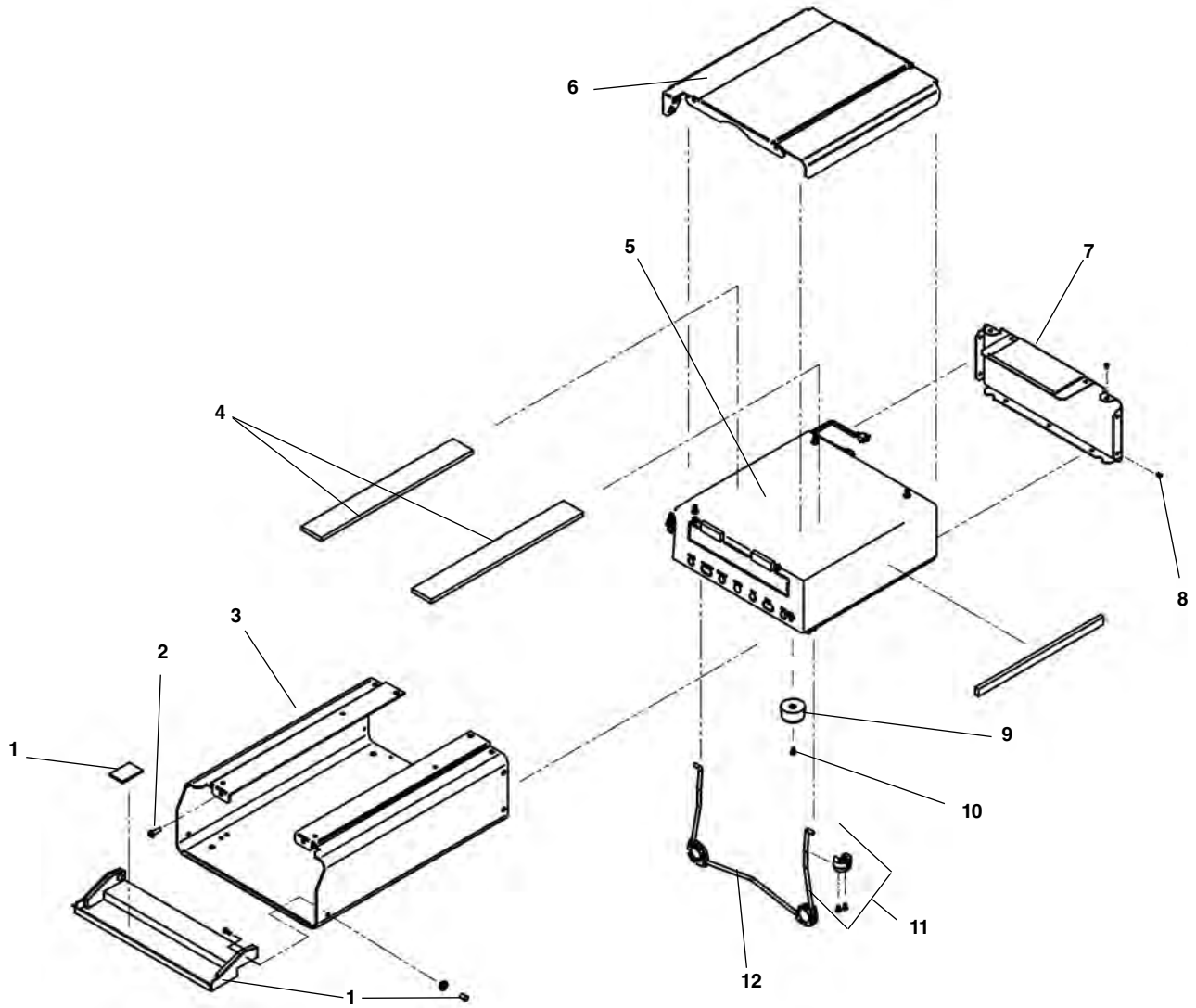
NOTE: All listed parts compatible with both Monitor/VCR & LCD/DVDR unless specifically described as belonging to particular system



**NOTE: Order parts by Catalog Number only.
DO NOT order by Reference Number.**

Ref. No.	Catalog No.	Description
1	87212	Outlet Only (EIA)
	87217	Outlet Only (CCIR)
2	16848	Screw (4)
3	71637	GFCI Cord (115V)
	87222	GFCI Cord (230V)
4	14943	Cord Wrap
5	14948	Cord Tie Strap Assembly
6	24268	Rear Monitor+VCR Cover (B&W)
	14938	Rear Monitor+VCR Cover (Color) (Also F/LCD/DVDR)
7	14838	Handle Assembly
8	10203	Monitor+VCR Housing Assembly (B&W)
	10208	Monitor+VCR Housing Assembly (Color)
	25248	LCD Monitor/DVDR Housing Assembly
10	14913	Screw (23)
Item Not Shown:		
	21843	Strain Relief w/Mounting Plate

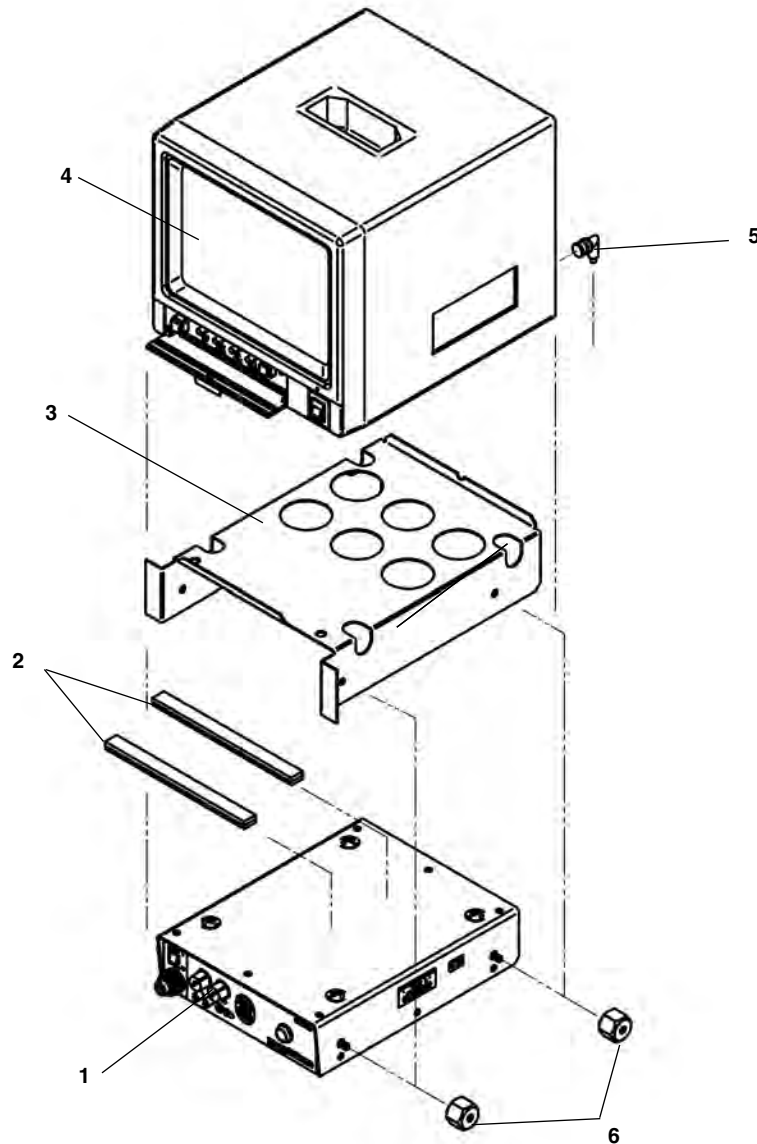
NOTE: All listed parts compatible with both Monitor/VCR & LCD/DVDR unless specifically described as belonging to particular system



**NOTE: Order parts by Catalog Number only.
DO NOT order by Reference Number.**

Ref. No.	Catalog No.	Description	Ref. No.	Catalog No.	Description
1	14843	VCR Door Assembly	6	10898	VCR Bracket Assembly
	25273	DVDR Door Assembly		25228	DVDR Bracket Assembly (115V)
2	14848	Screw (2)		25233	DVDR Bracket Assembly (230V)
3	14853	VCR Shell Assembly	7	16833	VCR Backplate
	25223	DVDR Shell Assembly		25238	DVDR Backplate
4	14928	VCR Top Foam	8	14913	Screw (11)
	25288	DVDR Top/Side Foam (115V)	9	14918	Support Leg (4)
	25318	DVDR Top/Side Foam (230V)	10	14923	Screw (4)
5	76857	VCR (115V) (Black, Type 1)	11	14878	Kickstand Retainer Assembly
	23198	VCR (115V) Gray, Type 2)	12	76947	Kickstand Assembly
	76862	VCR (230V)			
	25328	DVDR Only (115V)			
	25333	DVDR Only (230V)			

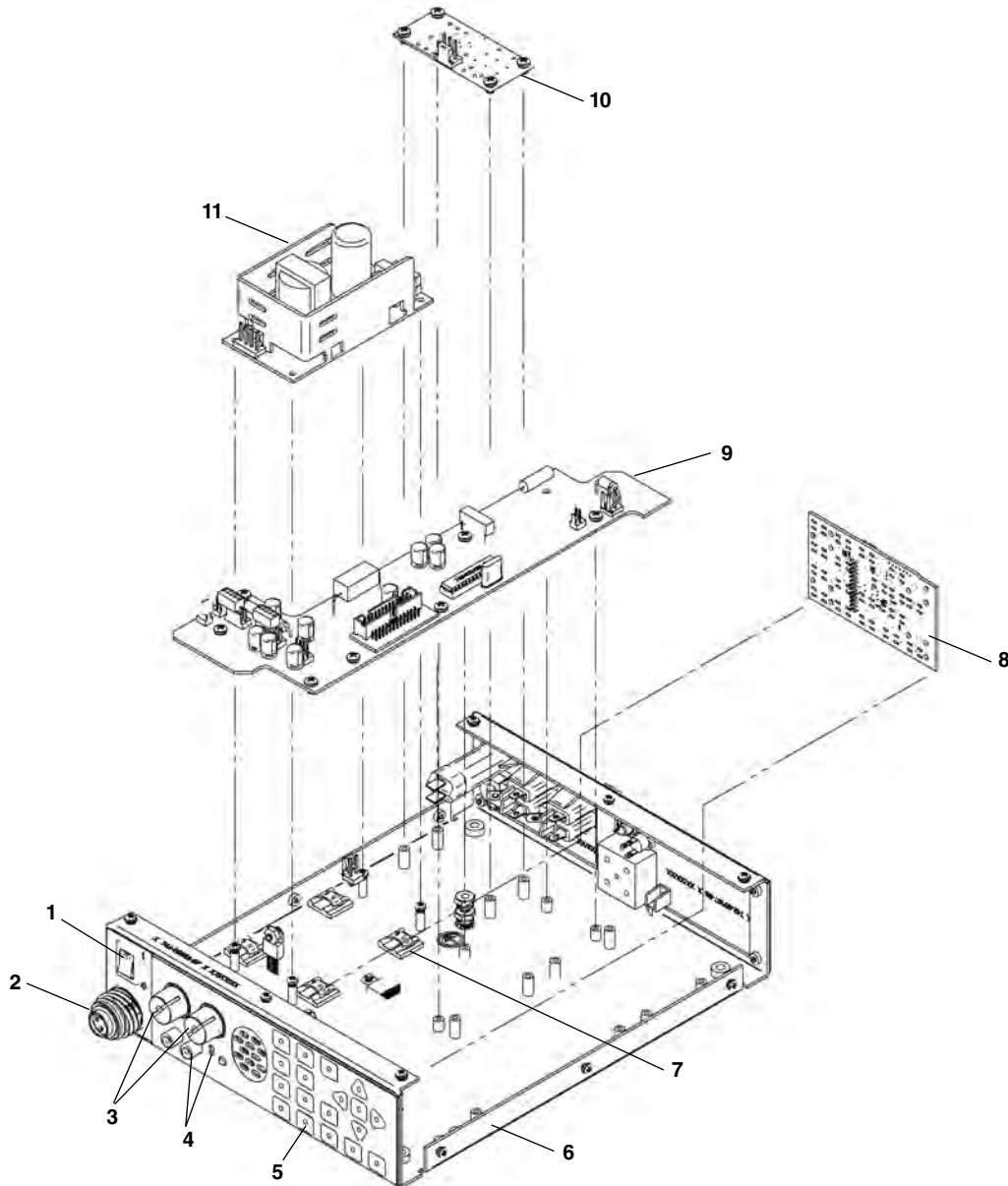
NOTE: All listed parts compatible with both Monitor/VCR & LCD/DVDR unless specifically described as belonging to particular system



**NOTE: Order parts by Catalog Number only.
DO NOT order by Reference Number.**

Ref. No.	Catalog No.	Description
1	87252	Power Pack 115V (Monitor/VCR)
	87257	Power Pack 230V (Monitor/VCR)
	25128	Power Pack 115V (LCD/DVDR)
	25193	Power Pack 230V (LCD/DVDR)
2	14933	Foam (Monitor/VCR)
	25298	Foam (LCD/DVDR)
3	14958	Power Pack Cover (Color Syst Only)
4	76837	Monitor Only (B&W) 115V
	76842	Monitor Only (B&W) 230V
	76847	Monitor Only (Color) 115V
	76852	Monitor Only (Color) 230V
	25313	LCD Only (LCD/DVDR)
	25313	LCD Only (LCD/DVDR)
5	14953	90 Degree Adapter & Cable (Monitor/VCR Only)
	25258	SCART Cable (230V LCD/DVDR Only, Not Shown)
6	16838	Spacer (Color Systems Only) (4)

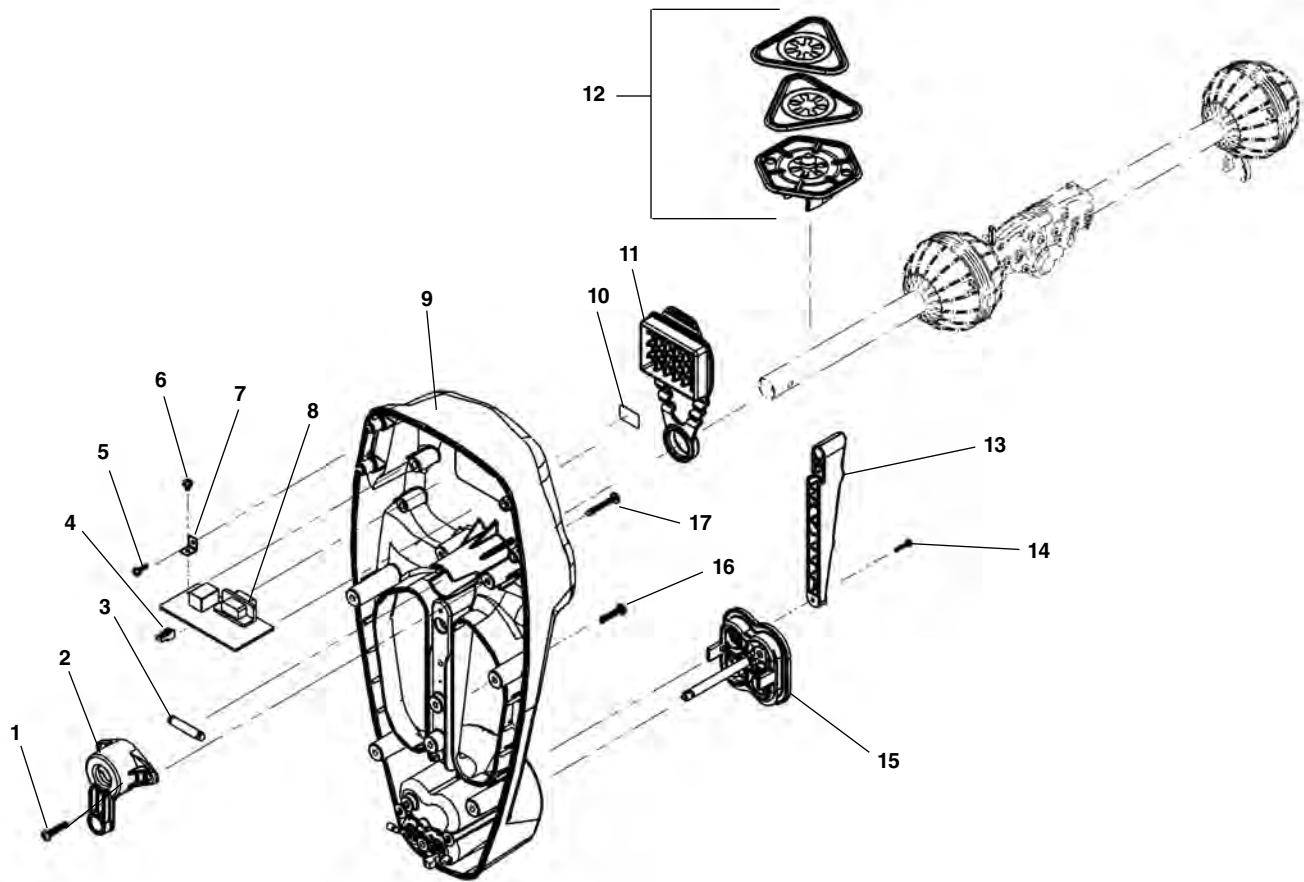
NOTE: All listed parts compatible with both Monitor/VCR & LCD/DVDR unless specifically described as belonging to particular system



**NOTE: Order parts by Catalog Number only.
DO NOT order by Reference Number.**

Ref. No.	Catalog No.	Description	Ref. No.	Catalog No.	Description
	25128	DVDR Power Pack (115V)	8	25368	Keypad Circuit Board Assembly (LCD/DVDR Only)
	25193	DVDR Power Pack (230V)	9	25363	Circuit Board Asm (L Board, LCD/DVDR Only)
	87252	Monitor/VCR Power Pack (115V)		87167	Circuit Board Asm (L Board, Monitor/VCR Only)
	87257	Monitor/VCR Power Pack (230V)	10	87177	Power Protection Board Asm
1	86052	Power Switch Assembly	11	87172	Power Board Asm
2	77307	Bulkhead Connector		86062	Circuit Breaker 15 Amp (115V) (Not Shown)
3	87152	Knob w/Set Screw (2)		86067	Circuit Breaker 6 Amp (230V) (Not Shown)
	87157	Dimmer Control Switch (Yellow)		25373	IDC Cable, 26 Pin 6" (Not Shown LCD/DVDR Only)
		Not Shown		71637	GFCI (115V)
	87162	Volume Control Switch (Red)		87222	GFCI (230V)
		Not Shown			
4	86092	Speaker/Microphone Jack Asm			
5	25208	Keypad (LCD/DVDR Only)			
6	87237	Power Pack Case Bottom			
	87232	Power Pack Top Cover (Not Shown)			
7	87247	Adhesive Wire Clip			

NOTE: All listed parts compatible with both Monitor/VCR & LCD/DVDR unless specifically described as belonging to particular system

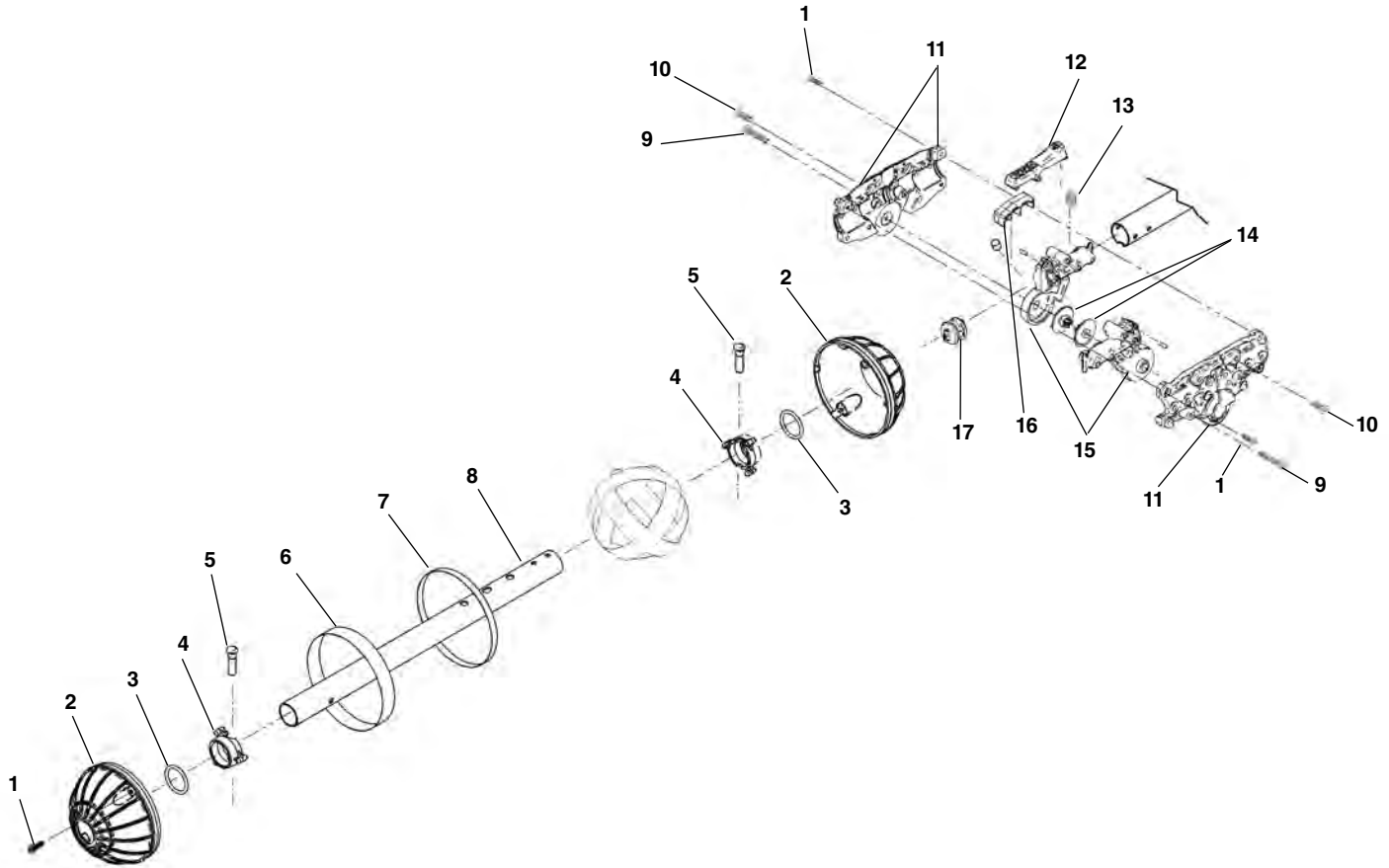


**NOTE: Order parts by Catalog Number only.
DO NOT order by Reference Number.**

<u>Ref. No.</u>	<u>Catalog No.</u>	<u>Description</u>
1	26063	Screw #8-16 x 3/8" (2)
2	26068	Tube Cap
3	26073	Dowel Pin
4	26078	Flat Flex Cable
5	24588	Screw #6 x 3/8" (2)
6	24593	Screw #6-32 x 3/16"
7	24583	Right Angle Mounting Bracket (2)
8	24563	Serial Board Asm
9	26083	Navitrack 2 Bottom Case Asm (Incl. Batt. Contacts)
	43098	SR-60 Bottom Case Asm (Incl. Batt. Contacts)
10	26113	WEEE Label (Europe Only)
11	26093	Bottom Cover
12	12543	Set Of Marker Chips
13	26098	Bottom Handle Insert
14	24488	Screw #4 x 1/2" (3)
15	23178	Battery Cover Asm
16	26103	Screw #8 x 3/4" (9)
17	24408	Screw #8 x 1" (4)

Following Item Not Shown:
 26108 Flat Nylon Washer (13)
 (Fits Behind Screw Shown As Ref. 17)

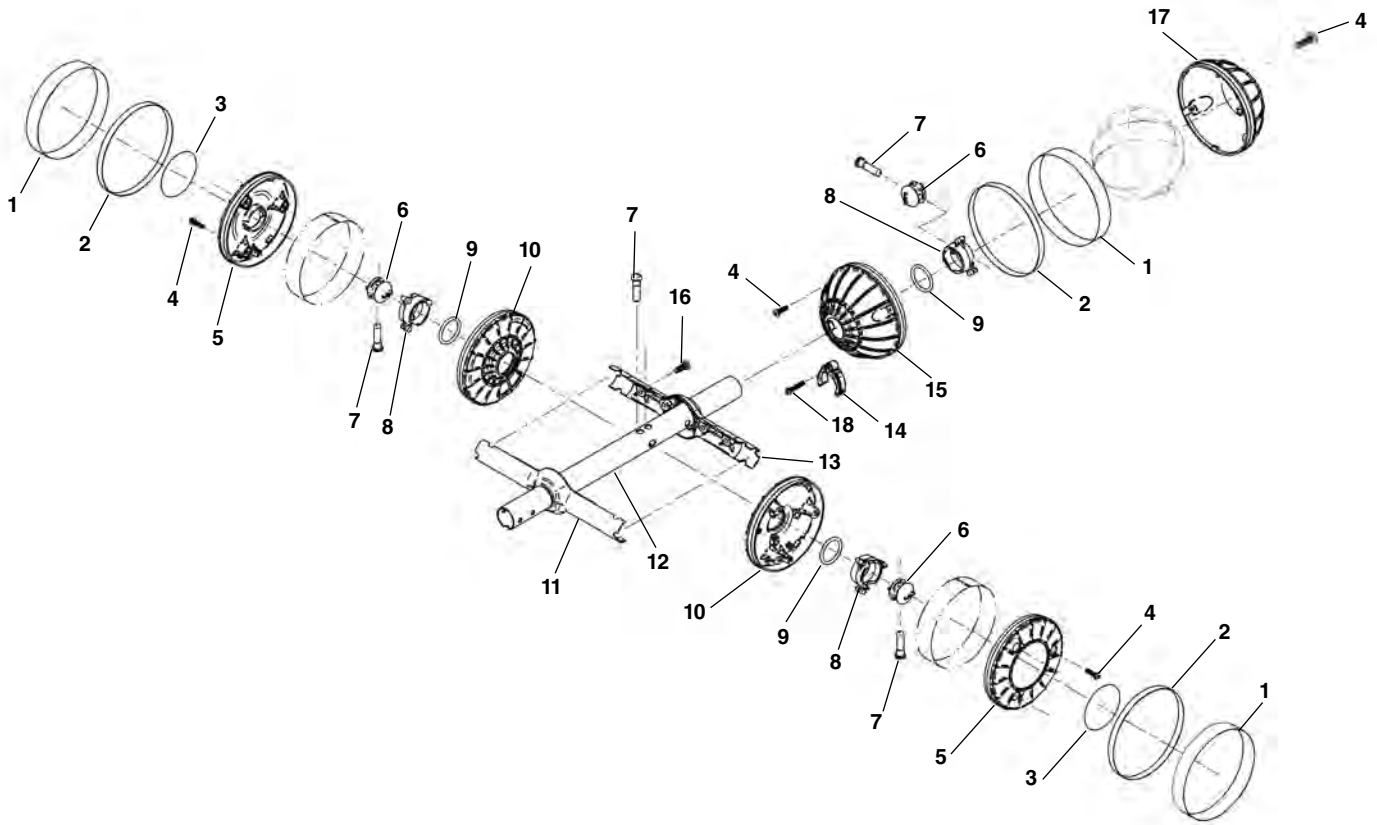
NOTE: All Parts Shown Are Used By Both The Navitrack 2 & SR-60 Unless Specifically Noted.



**NOTE: Order parts by Catalog Number only.
DO NOT order by Reference Number.**

Ref. No.	Catalog No.	Description	Ref. No.	Catalog No.	Description
1	24413	Screw #6 x 1/2" (5)	11	23663	Outer Pivot Asm
2	24328	Top Antenna Shell	12	23593	Pivot Latch
3	24358	O-Ring	13	23603	Latch Spring
4	24318	Antenna Pin Ring	14	26133	Bottom Mast Tube
5	24373	Antenna Pin	15	26128	Screw #6 x 3/4"
6	26118	Antenna Ball Label (Navitrack 2)	16	23613	Tube Seal
	45403	Antenna Ball Label (SR-60)	17	26138	Bottom Antenna Shell
7	24363	Double Sided Tape Roll	18	24333	Tube Lock
8	26123	Top Mast Tube	19	23598	Wire Reel
9	24408	Screw #8 x 1" (4)	20	23588	Center Pivot
10	24403	Screw #8 x 1/2" (16)	21	23628	Rear Pivot Cover

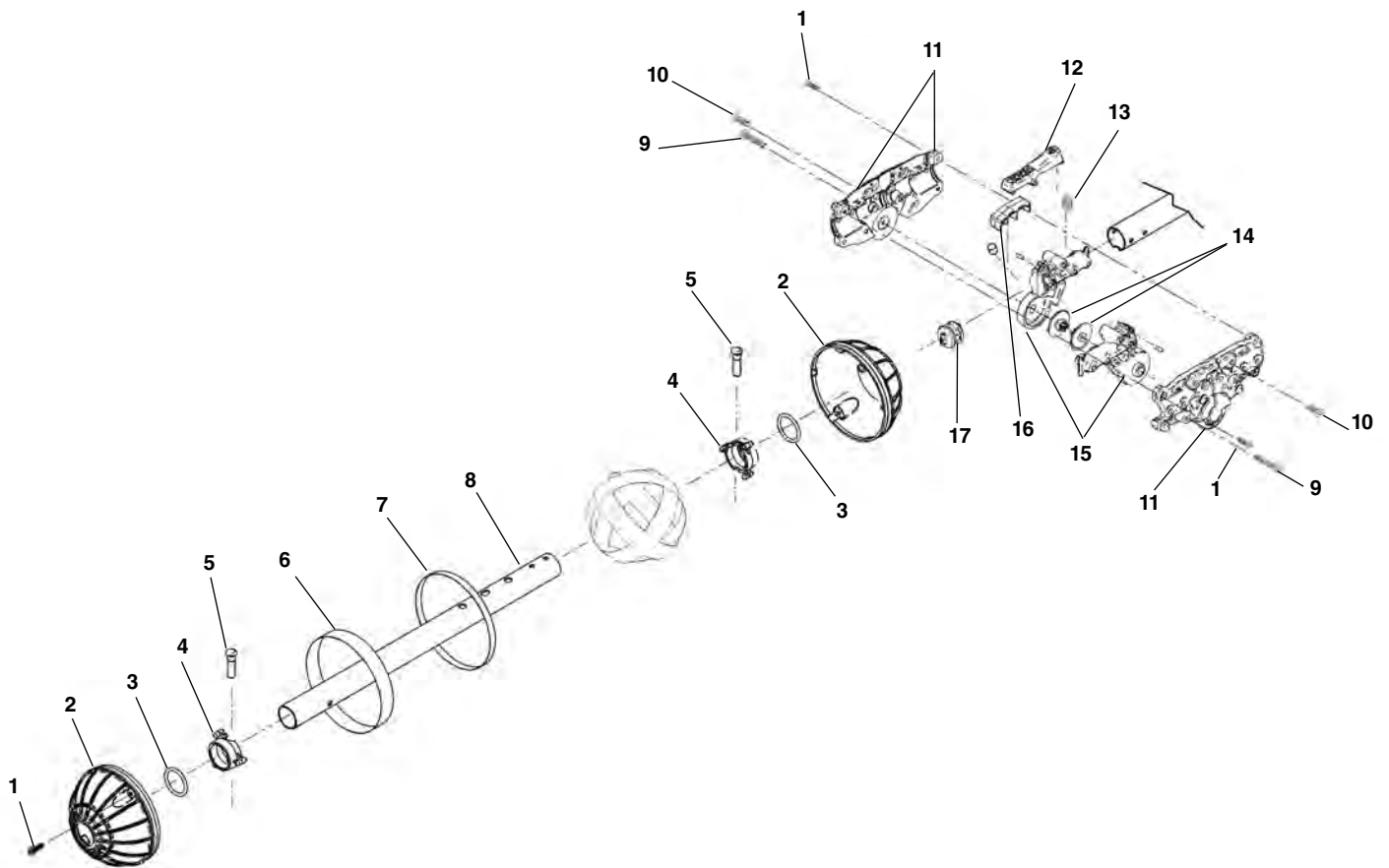
NOTE: All Parts Shown Are Used By Both The Navitrack 2 & SR-60 Unless Specifically Noted.



**NOTE: Order parts by Catalog Number only.
DO NOT order by Reference Number.**

Ref. No.	Catalog No.	Description	Ref. No.	Catalog No.	Description
1	45403	Antenna Ball Label (SR-60)	11	24353	Top Tube Bracket (SR-60)
	26118	Antenna Ball Label (Navitrack 2)	12	24308	Bottom Tube
2	24363	Double Sided Tape Roll	13	24338	Bottom Tube Bracket (SR-60)
3	44873	Side Antenna Label (SR-60)	14	24333	Tube Lock
4	24413	Screw #6 x 1/2" (SR-60)	15	24328	Top Antenna Shell
5	44863	Gradient Antenna Shell (Outer) (SR-60)	16	24403	Screw #8 x 1/2"
6	23613	Seal (SR-60)	17	24323	Bottom Antenna Shell
7	24373	Rivet (SR-60)	18	24368	Screw #6 x 3/4"
8	24318	Antenna Pin Ring (SR-60)			
9	24358	O-Ring (SR-60)			
10	44868	Gradient Antenna Shell (Inner) (SR-60)			
			Following Item Not Shown:		
			34863	Peg Chip Holder	

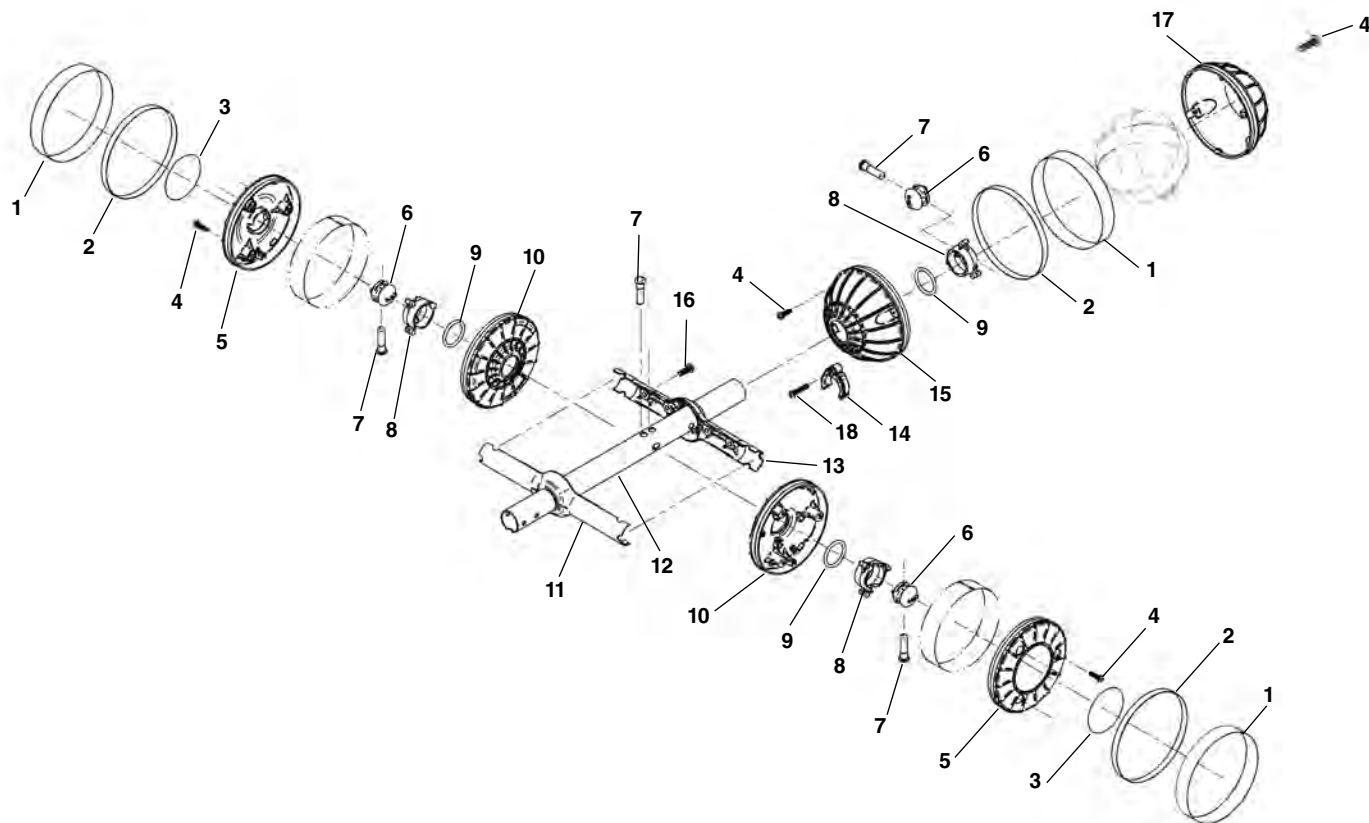
NOTE: All Parts Shown Are Used By Both The Navitrack 2 & SR-60 Unless Specifically Noted.



**NOTE: Order parts by Catalog Number only.
DO NOT order by Reference Number.**

Ref. No.	Catalog No.	Description
1	24413	Screw #6 x 1/2"
2	24328	Top Antenna Shell
3	24358	O-Ring
4	24318	Antenna Pin Ring
5	24373	Pin
6	24313	Antenna Ball Label
7	24363	Double Sided Tape Roll
8	24378	Top Tube
9	24408	Screw #8 x 1"
10	24403	Screw #8 x 1/2"
11	23663	Outer Pivot Asm
12	23593	Pivot Latch
13	23603	Latch Spring
14	23598	Wire Reel
15	23588	Center Pivot
16	23628	Rear Pivot Cover
17	23613	Seal

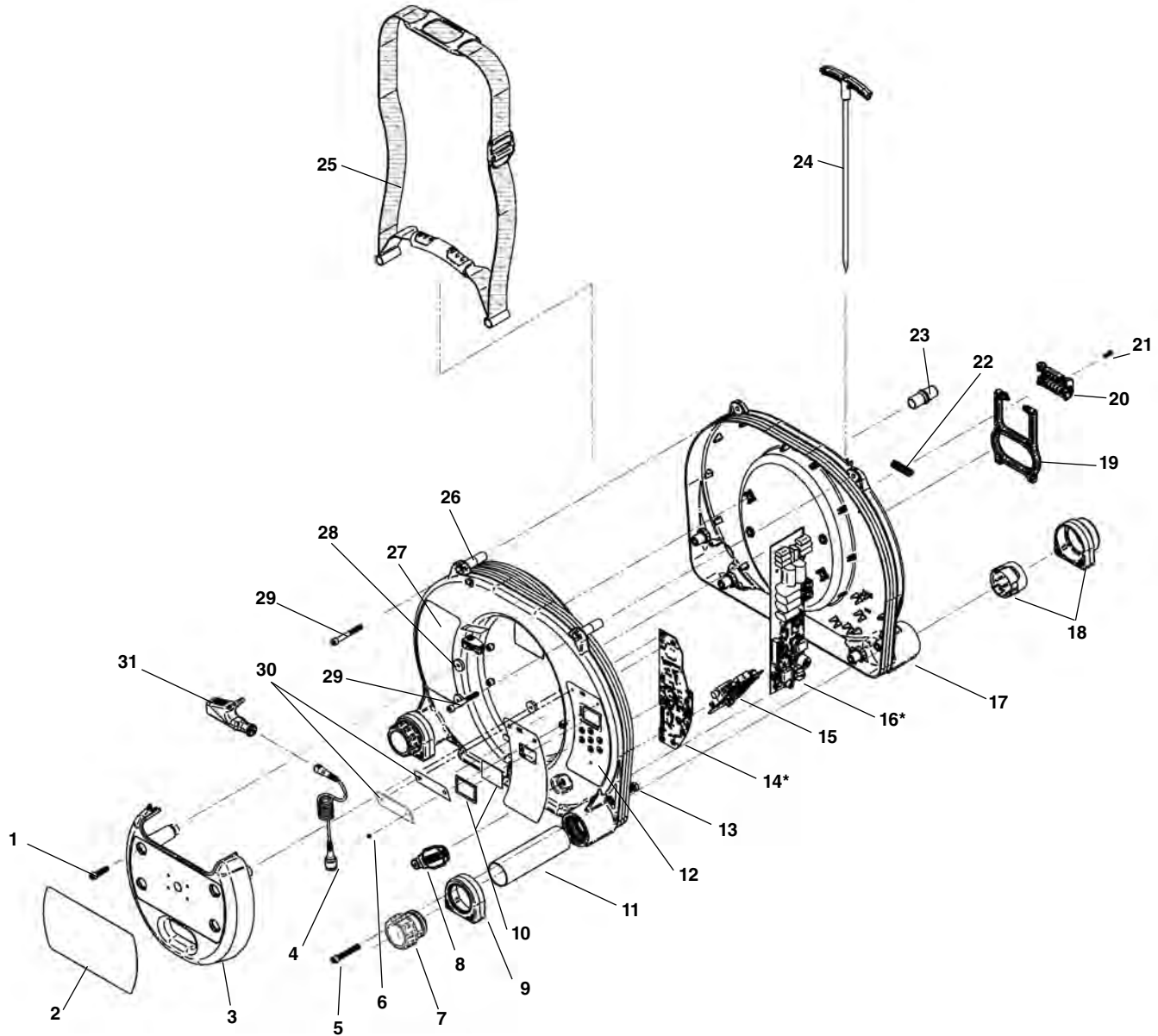
NOTE: Parts Are Identical Between SR-20 & Scout Locators Unless Specifically Noted.



**NOTE: Order parts by Catalog Number only.
DO NOT order by Reference Number.**

Ref. No.	Catalog No.	Description
1	24313	Antenna Ball Label (SR-20)
	34858	Antenna Ball Label (Scout)
2	24363	Double Sided Tape Roll
3	24478	Side Antenna Label (SR-20)
4	24413	Screw #6 x 1/2"
5	24343	Gradient Antenna Shell (Outer) (SR-20)
6	23613	Seal
7	24373	Rivet
8	24318	Antenna Pin Ring
9	24358	O-Ring
10	24348	Gradient Antenna Shell (Inner) (SR-20)
11	24353	Top Tube Bracket (SR-20)
12	24308	Bottom Tube
13	24338	Bottom Tube Bracket (SR-20)
14	24333	Tube Lock
15	24328	Top Antenna Shell
16	24403	Screw #8 x 1/2"
17	24323	Bottom Antenna Shell
18	24368	Screw #6 x 3/4"
Following Items Not Shown		
	34863	Peg Chip Holder

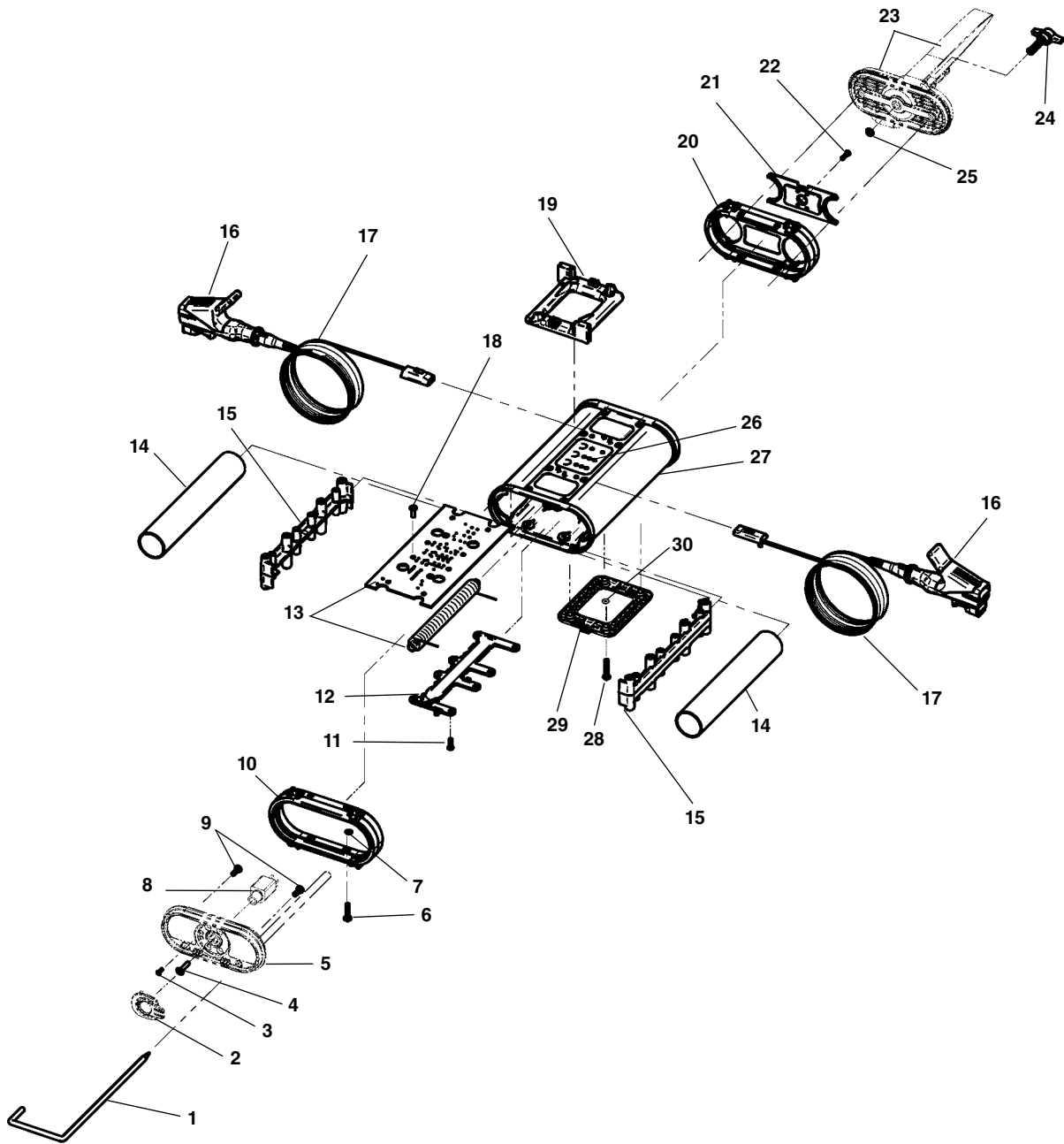
NOTE: Parts Are Identical Between SR-20 & Scout Locators Unless Specifically Noted.



**NOTE: Order parts by Catalog Number only.
DO NOT order by Reference Number.**

Ref. No.	Catalog No.	Description	Ref. No.	Catalog No.	Description
1	30643	Screw, 1/4" - 20 x 1" (4)	20	26538	Kickstand Bar
2	30673	RIDGID Decal	21	24413	Screw #6 x 1/2" (4)
3	26498	Cord Pocket	22	30628	Spring
4	26468	25' Cord Lead (2)	23	26548	Back Supports (2) (Standoff)
5	30633	Screw, 1/4" - 20 x 2" (2)	24	26463	Ground Stake
6	30648	Screw 4 - 40 x 1/4" (2)	25	26493	Shoulder Strap
7	26543	Seal Cap (Battery Cover)	26	26478	Front Shell
8	26488	Rubber Plug	27	30678	Front Directional Label
9	26508	End Cap Foot	28	26528	Plug F/Cord Pocket (6)
10	26513	LCD Window	29	30698	Screw, 1/4" - 20 x 1 3/4"
11	26518	Battery Tube (2)	30	30653	LCD Gasket Assembly
12	26523	LCD Interface Label	31	18443	Cable Clip (2)
13	30658	Hex Nut (1/4" - 20)	Items not Shown		
14*	30753	Control Board Assembly*	30663		Rear Instruction Label
15	30688	Drive Interface Board	30658		Bottom Instruction Label
16*	30753	Driver Board Assembly*	30668		Top Directional Strip Decal
17	26483	Back Shell	30683		Rear Directional Label
18	26508	Rear Foot w/Cover	27978		Power Supply US
19	26533	Kickstand	27983		Power Supply Euro

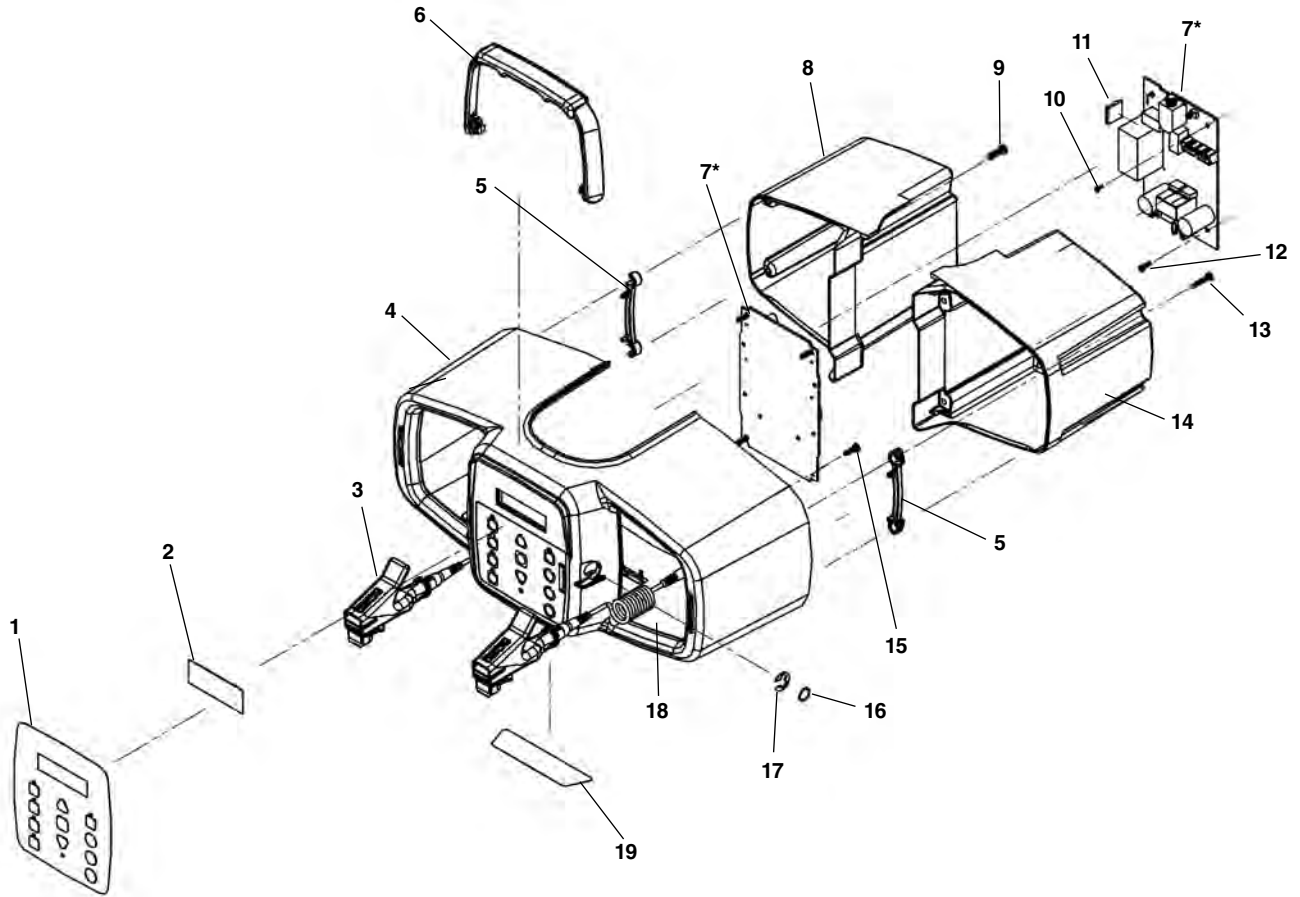
* Denotes MUST be replaced at factory.



NOTE: Order parts by Catalog Number only.
DO NOT order by Reference Number.

ST-305 (Yellow) NaviTrack 5 Watt (Red)				ST-305 (Yellow) NaviTrack 5 Watt (Red)			
Ref. No.	Catalog No.	Catalog No.	Description	Ref. No.	Catalog No.	Catalog No.	Description
1	22528	22528	Ground Stake	18	32318	32318	Screw, #6-32 x 3/8" (2)
2	32193	32193	Phone Jack Cover	19	32153	32153	Case Cover
3	32208	32208	Screw, #2 x .25"	20	32178	32178	Endcap
4	32218	32218	Screw, #6 x 3/8" (4)	21	32098	32098	Retainer Plate
5	32118	32123	Endcap Jack Assembly	22	32303	32303	Screw, #4 x .375" (4)
6	24288	24288	Screw, #6 x .625" (8)	23	32103	32103	End Cap w/Strap
7	32243	32243	Nylon Washer (8)	24	32188	32188	Thumbscrew Assembly
8	32143	32143	Phone Jack	25	32308	32308	Retaining Washer
9	32248	32248	Screw, #6 x 3/8" (2)	26	32313	32313	Keypad
10	32183	32183	Endcap Bumper	27	32113	32113	Transmitter Shell (2)
11	24553	24553	Screw, #4-20 x 3/8" (16)	28	24368	24368	Screw, #6 x .75" (8)
12	32163	32163	Inductor Support	29	32158	32158	Bottom Cover
13	32128	37898	Circuit Board Assembly	30	32323	32323	Bottom Cover O-Ring (2)
14	32133	32133	Battery Tube (2)	Items Not Shown			
15	32148	32148	Inductor Rail (2)		32328	32328	Side Label (2)
16	18443	18443	Cable Clip (2)		32353	32353	Ground Stake Tube
17	22538	22743	Cable Lead (2)				

ST-510 Top Case Assembly

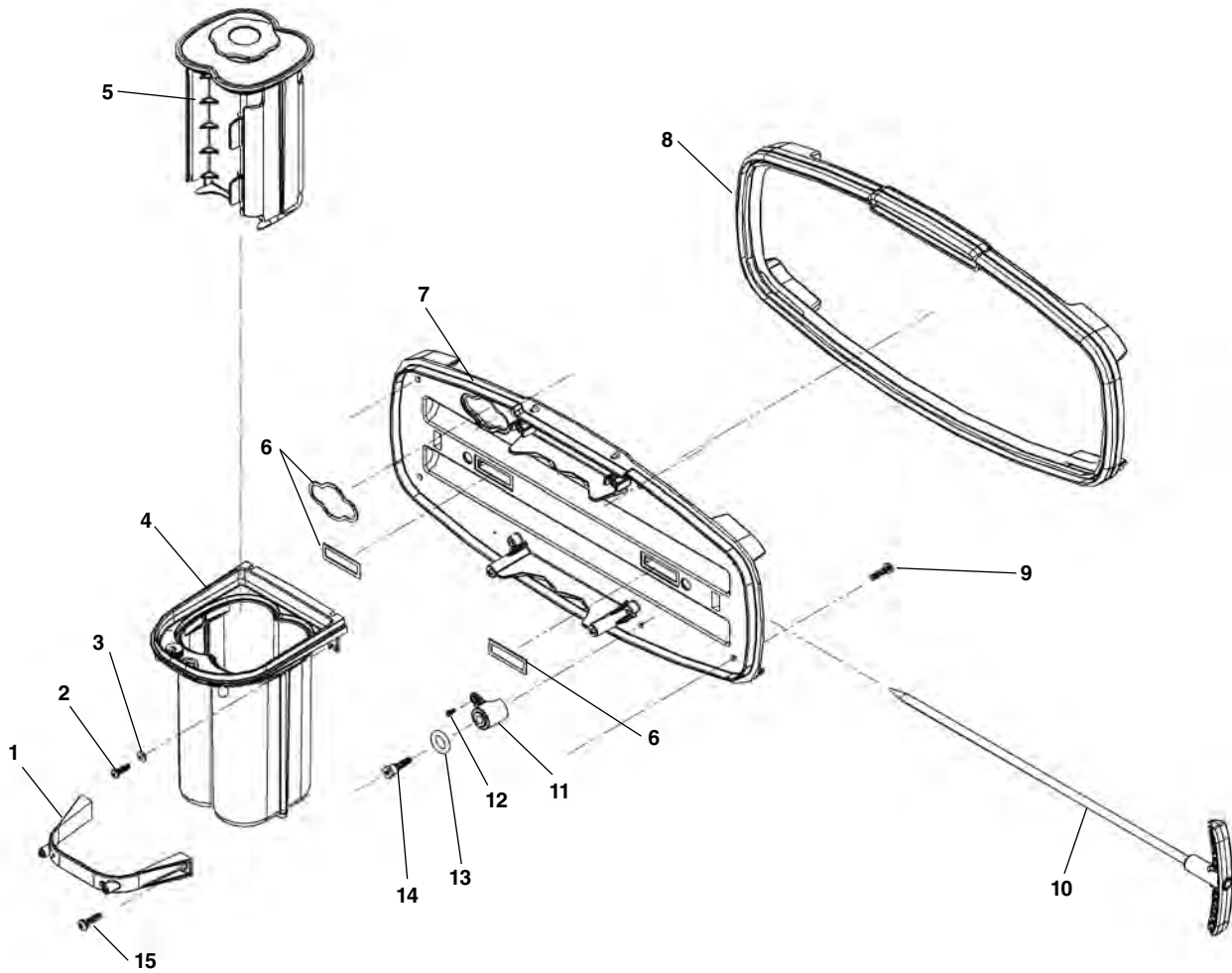


**NOTE: Order parts by Catalog Number only.
DO NOT order by Reference Number.**

Ref. No.	Catalog No.	Description
1	30778	Keypad
2	30783	LCD Window w/Gasket
3	18443	Direct Connect Clip (2)
4	30828	ST-510 Body
5	31288	Shoulder Strap Bar (2)
6	30788	Handle
7*	31313	Wave Board Assembly
	39858	Control Board Assembly (Europe)
8	31303	Cable Pocket (Left)
9	30803	Screw #8 - 16 x .625 (8)
10	31298	Screw #2 - 56 x .25 (2)
11	31308	Adhesive Clip
12	24553	Screw #4 - 20 x .375 (2)
13	31358	Screw #6 x .75 (4)
14	31373	Cable Pocket (Right)
15	24413	Screw, #6 x .5 (4)
16	31383	Wave Spring (2)
17	31388	Retaining Ring (2)
18	22758	Cable Lead (2)
19	30773	Front Decal
Items Not Shown		
	30833	Shoulder Strap
	31393	Inductive Coil Assembly

* Denotes MUST be replaced at factory.

ST-510 Base Assembly



**NOTE: Order parts by Catalog Number only.
DO NOT order by Reference Number.**

Ref. No.	Catalog No.	Description
1	31318	Battery Compartment Strap
2	24413	Screw, #6 x .5 (4)
3	31353	Washer (2)
4	31323	Battery Compartment Assembly
5	18428	Battery Cover Holder Assembly
6	31328	Cable Lock Gasket Set
7	31398	Baseplate
8	30798	Baseplate Gasket
9	30803	Screw, #8-16 x .625 (8)
10	26463	Ground Stake
11	31408	Receptacle Support (2)
12	31343	Screw #4-40 x .25 (4)
13	71677	O-Ring (2)
14	31333	Cable Lead Receptacle (2)

ALABAMA

- BIRMINGHAM**, Alabama Jack
1140 5th Ave. N., **35203**
(205) 251-8156
- Ⓢ **BIRMINGHAM**, Electronic Repair Co.
8518 First Ave. N., **35206**
(205) 658-0454
- Ⓢ **SPANISH FORT**, Mobile Service Elec. Rep.
11617 US HWY 31, **36527**
(251) 327-8355

ALASKA

- WASSILLA**, Mat-Su Tool Repair
522 McKinley St., **99654**
(907) 357-0647

ARIZONA

- † **PHOENIX**, Boerner Company
2435 E. Indian School Rd., **85016**
(602) 957-9710
- † **PHOENIX**, Glenn's Tool Service
2149 E. Indian School Rd., **85016**
(602) 264-6203
- PHOENIX**, Unicoa Industrial
2224 N. 23rd Ave., **85009**
(602) 254-4666
- TEMPE**, Fisher Tool
1990 East 3rd St., **85281**
(480) 968-0123
- TUCSON**, Precision Tool & Construction
4857 East 29th St., **85711**
(520) 745-1100
- TUCSON**, Western Tool, Inc.
702 S. Campbell Ave., **85719**
(520) 884-0504

ARKANSAS

- LITTLE ROCK**, Clark Hydraulic Service
2901 Confederate Blvd., **72206**
(501) 375-1252 (800) 264-1252
- LITTLE ROCK**, Partners Airless
4360 Rixey Rd., **72117**
(501) 833-3306

CALIFORNIA

- Ⓢ **ANAHEIM**, Western Drain Supply
3188 East La Palma Ave., **92806**
(714) 632-0447
- ANAHEIM**, Westside Building Material
1111 East Howell Ave., **92815**
(714) 385-1644
- BAKERSFIELD**, Bakersfield Tool Repair
210 Sumner St. Suit B, **93301**
(661) 327-2820
- Ⓢ **CITRUS HEIGHTS**, CVS Electronics
7904 Sunrise Blvd., **95610**
(916) 722-3110
- † **CORONA**, We-do Equipment Repair
1932 Elise Circle, **92879**
(951) 808-9167
- † **HAYWARD**, California Service Tool
3875 Bay Center Place, **94545**
(510) 782-1000
- LOS ANGELES**, Minit Tool Repair
4170 E. Washington Blvd., **90023**
(323) 264-7006
- † **(LOS ANGELES) HAWTHORNE**,
Drain Cleaner Service, J. M. McKinney Co.
12710 Yukon Ave., **90250**
(800) 821-7275
- † **(LOS ANGELES) N. HOLLYWOOD**,
• Bucknall Power Tool Service
11910 Vose St., **91605**
(818) 765-0228
- MONTEBELLO**, Logan Supply
7515 Telegraph Rd., **90640**
(323) 724-4330
- † **PANORAMA CITY**, Drain Cleaner Service,
J.M. McKinney Co.
14624 Titus St., **91402**
(818) 786-2527
- SACRAMENTO**, Valley Tool Repair
4131-B Power Inn Road, **95826**
(916) 737-6300
- SAN DIEGO**, South Coast Tool Repair
9660 Chesapeake Dr., **92123**
(858) 569-0929
- SIGNAL HILL**, Tool Works
1431 East 28th St., **90755**
(562) 988-9150
- † **SO. SAN FRANCISCO**, C. H. Bull Company
229 Utah Ave., **94080**
(650) 871-8440

COLORADO

- † **DENVER**, AIS Industrial
• 8103 E. 39th Ave., **80207**
(303) 355-2391
- † **DENVER**, Runge Tool Company
1330 South Inca Street, **80223**
(303) 744-1224
- CONNECTICUT**
- EAST HARTFORD**, Jossam Tool Repair
411 Burnham St., **06108**
(860) 289-4064
- † **ORANGE**, Colony Hardware Supply
269 S. Lambert Road, **06477**
(203) 466-5252
- SOUTH WINDSOR**, Utility Electric Service
255 Chapel Rd., **06074**
(860) 246-7271

FLORIDA

- † **CLEARWATER**, Atlas Constr. Equip. Services
12001 49th Street North, Suite 201, **33762**
(727) 299-0700
- HOLLYWOOD**, National Tool Supply
5725 W. Hallandale Beach Blvd., **33023**
(800) 432-5078 (954) 985-8100
- † **MIDDLEBURG**, A-1 Tool & Fastener
1851 Blanding Blvd., **32068**
(904) 282-3707
- † **ORLANDO**, Contractors Tool Service
5409 Edgewater Drive, **32810**
(407) 292-2808
- PENSACOLA**,
Escambia Electric Motor Service
1101 W. Main, **32501**
(850) 432-1577

GEORGIA

- † **ATLANTA**, Power Tool Service Co.
• 1420 Collier Rd. NW, **30318-2814**
(404) 605-0101
- VALDOSTA**, Whitehead Hardware
104 S. Lee Street, **31601**
(229) 242-3910

HAWAII

- † **HONOLULU**, Wong's Equipment & Sales
841 Pohukaina Street, B-1, **96813**
(808) 596-8870

IDAHO

- BOISE**, K.C. Supply Company
5103 Irving St., **83706**
(208) 375-1313 (800) 446-9004

ILLINOIS

- ADDISON**, Hugo Equipment Repair
415 W. Key Ave., **60101**
(630) 628-7977
- † **CHICAGO**, Allan J. Coleman Co.
• 5725 N. Ravenswood Ave., **60660**
(773) 728-2400
- † **(CHICAGO) BERWYN**, Jacks' Inc.
• 6642 W. 26th St., **60402**
(708) 788-4300
- (CHICAGO) McCOOK**, Recco Tool
8805 Joliet, **60525**
(708) 442-7850

INDIANA

- EAST CHICAGO**,
Calumet Contractors Supply Co, Inc.
2120 E. Columbus Dr., **46312**
(219) 398-0017
- EVANSVILLE**, Bailey Tool & Supply
5716 East Morgan Ave., **47715**
(877) 475-1618
- EVANSVILLE**, Tri State Repair Service
1327 N. Fares Ave.
(Bus., Hiway 41 N.), **47711**
(812) 464-9341 (800) 457-3749
- FORT WAYNE**, Mill Supplies, Inc.
5105 Industrial Rd., **46825**
(260) 484-8566 (800) 589-5353
- FORT WAYNE**,
Wagner Electric of Fort Wayne, Inc.
3610 N. Clinton St., **46805**
(260) 484-5532
- † **INDIANAPOLIS**, Anderson Brothers Tool Co.
3531 Southeastern Ave., **46203**
(317) 356-6381
- † **LOWEL**, Affordable Electrical Repair LLC.
15544 Broadway, **46356**
(219) 696-7792

IOWA

- † **BETTENDORF**, Logan Contractors Supply
4114 State St., **52722**
(563) 441-2949
- DES MOINES**, Tool Hospital
1631 Second Ave., **50314**
(515) 243-6969 (800) 753-3323
- DES MOINES**, Total Tool/Tool House
622 SE 5th Street, **50309**
(515) 244-1516

KANSAS

- KANSAS CITY**, Acme Hydraulics, Inc.
815 Kansas Ave., **66105**
(913) 321-6385
- KANSAS CITY**, KC Winfastener
1232 Southwest Blvd., **66103**
(913) 831-2300
- † **KANSAS CITY**, Total Tool
275 Southwest Blvd., **66103**
(913) 722-7879

KENTUCKY

- LEXINGTON**, City Electric Motor Co.
631 Kennedy Rd., **40511**
(859) 254-5581
- LEXINGTON**, Jiffy Tool Repair
2433 Fortune Drive, **40509**
(859) 252-1849
- † **LOUISVILLE**, Bailey Tools & Supply
1338 S. Shelby, **40217**
(502) 635-6348 (800) 999-4533
- Ⓢ **LOUISVILLE**, PipeEyes/Eye-Tronics
145 Smith Lane, **40229**
(502) 955-5288
- PADUCAH**, Warden Electric
604 N. 7th St., **42002**
(270) 443-4622

LOUISIANA

- BATON ROUGE**, Tool Shed, Inc.
1856 Wooddale Ct., **70806**
(225) 926-6500
- Ⓢ **BATON ROUGE**,
Central Plumb-It-Yourself Supply
7000 Greenwell Springs Rd., **70805**
(225) 924-9672
- † **NEW IBERIA**, Voorhies Supply Co.
401 W. St. Peter Street, **70560**
(337) 364-2431
- † **(NEW ORLEANS) HARVEY**,
IWS Gas and Supply
1452 Fourth Street, **70058**
(504) 362-9395
- † **NEW ORLEANS**, Beerman Precision, Inc.
4206 Howard Ave., **70125**
(504) 486-9391
- † **WEST MONROE**, Tool Town
704 North 7th Street, **71291**
(318) 329-2929

MAINE

- † **BANGOR**, N.H. Bragg & Sons
92 Perry Road, **04401**
(207) 947-8611

MARYLAND

- † **BALTIMORE**, Ferguson
• 4501 Hollins Ferry Rd, **21227**
(443) 543-1300
- † **LANDOVER**, Colony Hardware
• 1950 Stanford Ct., **20785**
(301) 967-2844
- MASSACHUSETTS**
- **EVERETT**, Panda Electrical Service, Inc.
165 Main St., **02149**
(617) 389-1442
- HOLYOKE**, Reliance Electric Service Co.,
573 South Canal Street, **01040**
(413) 533-3557
- Ⓢ **PLAINVILLE**, Utilitronics
2 High Street, **02762**
(800) 245-8850

MICHIGAN

- ANN ARBOR**, McCally Tool & Supply
2451 S. Industrial Pkwy.; Suite B, **48104**
(734) 747-8332 (800) 535-6434
- † **(DETROIT) LIVONIA**, Brock Tool
31090 Industrial Rd., **48150**
(734) 261-9333
- † **(DETROIT) LIVONIA**, Fasteners Inc.
32713 Schoolcraft Rd., **48150**
(734) 422-7390

KALAMAZOO

- Kalamazoo Electric Motor Inc.
414 Mills Street, **49001**
(269) 345-7802
- KINGSFORD, IDG**
1021 Pyle Drive, **49802**
(906) 774-3991

MINNESOTA

- † **EDINA**, Olsen Chain & Cable
7225 Washinton Ave., South, **55439**
(952) 944-7678
- † **ST. PAUL**, Total Tool Supply Company
• 315 N. Pierce St., **55104**
(651) 646-4055 (800) 444-4899

MISSISSIPPI

- JACKSON**, Flannigan Electric Co., Inc.
1820 South West St., **39202**
(601) 354-2756 (800) 962-7638

MISSOURI

- † **ST. CHARLES**, Tool Service Center
2431 Raymond Drive, **63301**
(636) 940-2525
- † **ST. LOUIS**,
Cable Center, Drain Cleaner Service
8318 Olive Blvd., **63132**
(314) 993-3099 (800) 257-7209
- Ⓢ **WENTZVILLE**, All Star Sewer Equipment
1324 Wilmer Rd., **63385**
(636) 544-5429

MONTANA

- † **BILLINGS**, Edge Construction Supply
120 Moore Lane, **59101**
(406) 248-7196

NEBRASKA

- † **LINCOLN**,
Total Tool/Tool House
2611 Kimco Dr., **68521**
(402) 476-6673
- OMAHA**, Thacker Electric
8517 I St., **68127-1615**
(402) 592-9433

NEVADA

- † **LAS VEGAS**, Sewer Cable Equipment Co.
2834 Marco St., **89115**
(702) 433-5401
- Drain Cleaning Only**
- LAS VEGAS**, Tool Service, Inc.
2912 South Highland, Suites C&D, **89109**
(702) 734-9161
- (RENO) SPARKS**, Industrial Equipment Co.
310 Kresge Lane, **89431**
(775) 331-1032

NEW JERSEY

- (NEWARK) CLIFTON**, The Tool Box
119 Lakeview Ave., **07011**
(973) 340-7652

- † **EAST ORANGE**, Von Rohr Equipment Corp.
2 New Main St., **07019**
(973) 748-9111

Ⓢ **LODI**, Dynamic Cable Repair

- 40 Arnot Street, **07644**
(973) 478-0893
- LONG BRANCH**, Cougar Equipment
622 Broadway, **07740**
(732) 870-3302
- † **SPRINGFIELD**, Colonial Hardware Corp.
33 Commerce St., **07081**
(800) 237-7756

NEW MEXICO

- † **ALBUQUERQUE**, Power Tool & Saw Service
2408 Comanche Rd. N.E., **87107**
(505) 856-2158

NEW YORK

- (ALBANY) RENSSELAER**,
Capital Hydraulic Inc.
98A Columbia Turnpike, **12144**
(518) 462-5425
- BUFFALO**, S.S. Electric Repair Shop, Inc.
2470 Seneca St., **14210**
(716) 823-1232
- GARDEN CITY PARK**, Eastern Industrial
184 Atlantic Ave., **11040**
(516) 741-3198
- (LONG ISLAND) HUNTINGTON STATION**,
A&T Power Tools
515 East Jericho Turnpike, **11746**
(631) 271-2141

Ⓢ SeeSnake ONLY

† Authorized SeeSnake Repair Center

• Authorized Pressing Repair Center

(LONG ISLAND) WANTAGH,

Ace Tool Repair, Inc.
2201 Wantagh Ave., **11793**
(516) 783-8899

† **MASPETH,** Ferguson
57-22 49th St., **11378**
(718) 937-9500

† **(N.Y.C.) BROOKLYN,** J & A Repair Shop
6206 20th Ave., **11204**
(718) 232-5746 / (718) 232-8409

(N.Y.C.) BROOKLYN,
The White Tool & Supply, Inc.
3047 Atlantic Ave., **11208**
(718) 277-8844

RIDGEWOOD, RP Rental
1855 Stanhope St., **11385**
(718) 456-7397

† **ROCHESTER,** Hanes Supply Co.
• 20 Jetview Drive, **14624**
(585) 235-0160

NORTH CAROLINA

† **BELMONT,** IDG Southern
2100 The Oaks Pkwy, **28012**
(704) 398-5600

† **CONCORD,** Sunbelt Rentals, Inc.
932 Concord Parkway, **28025**
(704) 720-9597

DURHAM, Paynes Tool & Supply
5010 Hwy. 55, **27713**
(919) 544-9134

NORTH DAKOTA

† **MINOT,** Acme Electric Motors
700 20th Ave. SE, **58701**
(701) 839-2263

OHIO

⊕ **CINCINNATI,** C & S Solutions
5319 Delhi Rd., **45238**
(513) 922-7444

† **(CINCINNATI) HARRISON,** F & M Mafo
9149 Dry Fork Road, **45030**
(513) 367-2151

† **CLEVELAND,** A & A Hydraulic Repair Co.
5301 W. 161 St., **44142**
(216) 362-4000

⊕ **CLEVELAND,** M Tech Company
7401 First Place, **44146**
(440) 646-0996

† **(CLEVELAND) ELYRIA,**
• RIDGID Factory Service Center
321 Sumner St., **44036-2023**
(440) 323-5581

† **COLUMBUS,** Ohio Power Tool, Inc.
999 Goodale Blvd., **43212**
(614) 481-2111 (800) 242-4424

DAYTON, M&R Electric Motor Service
1516 East Fifth St., **45403**
(937) 222-6282 (800) 242-4424 (Ohio Only)

† **MILBURY,** Drain Cables Direct
4370 Moline Martin Rd., **43447**
(800) 421-4580

(Kollmann Only)
TOLEDO, West Equipment Company
1545 East Broadway, **43605**
(419) 698-1601

YOUNGSTOWN, Pennsylvania Tool Sales
625 Bev Road, **44512**
(330) 758-0845

⊕ **ZANESVILLE,** Flow Liner Systems
4830 No. Pointe Dr., **43701**
(740) 453-9935

OKLAHOMA

⊕ **OKLAHOMA CITY,**
Central Oklahoma Winnelson
5037 NW. 10th Street, **73127**
(405) 947-8761

OKLAHOMA CITY, Whitton Supply Co.
1419 West Reno, **73106**
(405) 236-5561

WOODWARD, Kay Electric Motors, Inc.
810 48th Street, **73801**
(580) 256-3254

OREGON

BEAVERTON, Karn Repair
1815 NW 169th Place, Suite 5060, **97006**
(503) 690-9500

EUGENE, Eugene Power Tool
101 North Seneca, **97402**
(541) 232-5081

† **TUALATIN,** Trade Tool & Supply Co.
11670 SW Waldo Way, **97140**
(503) 221-8665

PENNSYLVANIA

⊕ **CHESTER,** Jekk Tools & Fasteners
729 West 2nd St., **19013**
(610) 874-6200

† **(HARRISBURG) MECHANICSBURG,**
Drive Kore
101 Wesley Drive, **17055**
(717) 766-7636 (800) 382-1311

PHILADELPHIA, Diamond Tool
2800 Greys Farry Ave., **19146**
(888) 879-3426

† **PHILADELPHIA,**
Regent Hydraulic & Machine Works, Inc.
4051 Cresson Street, **19127**
(215) 482-2050

PITTSBURGH, CTS Incorporated
3500 Liberty Ave., **15201**
(412) 681-6673

† **PITTSBURGH,** H K McJunkin Inc.
7724 Edgewood Ave., **15218**
(412) 271-5400

(Kollmann Only)
PITTSBURGH, Scott Electric Co.
39th & Butler Street, **15201**
(412) 687-5005

(PITTSBURGH) NEVILLE ISLAND,
Construction Rental & Supply
5601 Grand Ave., **15225**
(412) 269-9109

(PITTSBURGH) NEVILLE ISLAND,
Construction Rental & Supply
5601 Grand Ave., **15225**
(412) 269-9109

PUERTO RICO

† **RIO PIEDRAS,** Isla Supply Corp.
Carretera 181 KM1.8,
Expreso Trujillo Alto, **00929**
(787) 761-7355

† **RIO PIEDRAS,** Ferretaria Abraham Inc.
Calle 16 S.O. 1534
Caparra Terrace, **00922**
(787) 782-6033

RHODE ISLAND

† **(PROVIDENCE) WARWICK,**
Electric Motor Service, Inc.
197 Chestnut St., **02880**
(401) 737-2534

SOUTH CAROLINA
† **COLUMBIA,** Richland Industrial
919 Catawba Street, **29201**
(803) 252-3360

† **WEST COLUMBIA,** Mann Tool & Supply
802 Chris Drive, **29169**
(803) 252-7777 (800) 356-6266

⊕ **SUMTER,** Jet Vac Sewer Equipment
5746 Broad Street, **29154**
(803) 494-4430

TENNESSEE

MEMPHIS, Jones Tool Service
1314 Madison Ave., **38104**
(901) 726-0191/0195

NASHVILLE, Hermitage Tool, Inc.
1034 4th Ave., S., **37210**
(615) 254-0820

NASHVILLE, Reeves Power Tools & Repair
2193 Nolensville Pike, **37211**
(615) 256-8817

⊕ **(NASHVILLE) LEBANON,**
Tracer Electronics, LLC
6981 Eastgate Blvd., **37090**
(615) 285-3952

TEXAS
† **AUSTIN,** Austin Tool, Inc.
210 Industrial Blvd., **78745**
(512) 447-4905

CORPUS CHRISTI, Corpus Christi Power
Tool & Repair
3701 Agnes Street, **78405**
(361) 883-1117

CORPUS CHRISTI, Bush Hydraulics
2012 N. Lexington Blvd., **78409**
(361) 289-0441 (800) 580-2874

† **DALLAS,** Big D Tool Center, Inc.
• 2535 Irving Blvd., **75207**
(214) 631-3731

HOUSTON, Hydraulic Equipment Service Co.
1021 N. San Jacinto St., **77002**
(713) 228-9601

† **MISSOURI CITY,** Tool Mart, Inc.
13721 S. Gessner #200, **77489**
(713) 222-8665

LUBBOCK, Lubbock Electric Company, Inc.
1108 34th St., **79411**
(806) 744-2336

ODESSA, Ace Specialties Inc.
302 Industrial, **79763**
(432) 332-0691

ODESSA, Engine Service & Supply Co.
1902 N. Andrews Highway, **79761**
(432) 337-2386 (800) 441-0636

PHARR, American Ind. Supply & Tool Repair
1101-A West Business 83, **78577**
(956) 702-4410

⊕ **ROCKWALL,** Utility Equ. Tech. Inc.
382 Stevens Road, **75032**
(972) 771-8958

SAN ANTONIO,
Electric Motor Service & Sales
1514 E. Commerce, **78205**
(210) 226-3462

† **SAN ANTONIO,** Tool Mart Inc.
10568 Sentinal Street, **78217**
(210) 655-6116

UTAH

† **MIDVALE,** A1 Industrial Tool and Service
7036 South High Tech Dr., **84070**
(801) 285-7232

SALT LAKE CITY,
Diamond Electric Motor Repair
1465 South 300 West, **84115**
(801) 484-4325 (888) 485-4325

VERMONT
† **SOUTH BARRE,** Reynolds & Sons Inc.
47 Bridge Street, **05670**
(802) 479-0101

VIRGINIA
† **NORFOLK,** Bryan Electric Company, Inc.
424 W. 25th St., **23517**
(757) 625-2525

† **RICHMOND,** Hajoca Corporation.
3000 Cofer Rd., **23234**
(804) 231-5790

RICHMOND, Roy's Electric Motor Service
3201 Norfolk St., **23230**
(804) 355-5713

SINGERS GLEN,
Kauffman Family Tool Repair
10706 Morning View Rd., **22850**
(540) 820-4879

⊕ **VIRGINIA BEACH,**
Tidewater Valve & Fitting, Inc.
1373 London Bridge Rd., **23453**
(757) 340-3181

WASHINGTON

† **AUBURN,** Delta Electric Motors Inc.
2141 West Valley Hwy. N., **98001**
(253) 833-1572

† **SEATTLE,** Ballard Hardware & Supply
4760 Ballard Ave., NW, **98127**
(206) 783-6626

† **SPOKANE,** Edge Construction Repair
1507 E. Riverside, **99220**
(509) 535-9841 (800) 348-4808

TACOMA, Center Electric Co.
1212 S. 30th St., **98409**
(253) 383-4416

WEST VIRGINIA
(CHARLESTON) POCA,
Ohio Tool Systems, Inc.
305 Jacobson Drive, **25159**
(304) 755-5030

HUNTINGTON, Lawter Electric Motor Co.
202 Adams Ave, **25701**
(304) 522-8297

WISCONSIN
GREEN BAY, Power Tool Service
1180 Ashwaubenton St., **54304**
(920) 437-2594

† **PEWAUKEE,** Jensen Equipment Co., Inc.
N.27 W23015 Roundy Dr., **53072**
(262) 547-5548 (800) 875-8875

CANADA**ALBERTA**

• **CALGARY,** Power Tool Klinik LTD.
#11 - 2219, 35th Ave. N.E., **T2E 6W3**
(403) 276-4633

⊕ **CALGARY,**
Industrial Power Tool Maintenance, LTD
4115 - 64th Ave SE., Suite 8, **T2C 2C8**
(403) 261-0780

EDMONTON, Century Vallen
4810 - 92 Ave., **T6B 2X4**
(780) 468-3366

† **EDMONTON,** Celtic Industrial Tools Ltd.
5736 - 103A St., **T6H 2J5**
(780) 431-0970

BRITISH COLUMBIA

⊕ **BURNABY,** Diversified Electronics of Canada
Unit #102 6968 Russell Ave., **V5J 4R9**
(604) 421-1234

† **BURNABY,** West Coast Tool
4008 Myrtle St., **V5C 4G2**
(604) 873-5394

DELTA, Rapid Tool Repair
28-7621 Vantage Way, **V4G 1A6**
(604) 873-5313

⊕ **VICTORIA,** Pangco Electronic Services
101-3296 Tennyson Ave, **V8Z 3P3**
(250) 475-0001

MANITOBA

† **WINNIPEG,** Itech Tools
Unit B, 171 Cole Ave., **R2L 2C5**
(204) 777-7372

NEWFOUNDLAND AND LABRADOR

† **ST. JOHN'S,** Rideout Tool & Machine Inc.
222 Kenmount Road, **A1B 3R2**
(709) 754-2240

NOVIA SCOTIA

† **DARTMOUTH,**
Deiters Tool & Saw Service, LTD
100 Joseph Zatzman Dr., **B3B 1N8**
(902) 468-4888

ONTARIO

† **OTTAWA,** Mytek Power Tools
1541 Star Top Rd., **K1B 3W5**
(613) 749-7294

† **(HAMILTON) STONEY CREEK,**
• Charles Jones Industrial Ltd.,
237 Arvin Ave., **L8E 5S6**
(905) 664-8448

SARNIA, Serv-A-Tool & Repairs
504 McGregor Rd., **N7T 7H5**
(519) 344-8837

† **(TORONTO) WESTON,**
Pipe Tools Repair & Service Centre Ltd.
114 Rivalda Rd., **M9M 2M8**
(416) 749-5830

SASKATCHEWAN

SASKATOON, Quality Tool Repair
311A - 47th Street, East, **57K 5H2**
(306) 244-9981

QUEBEC

QUEBEC CITY, Clinique D'Outillage MP, Inc.
3075 Boulevard Hamel, Apt. 107, **G1P 4C6**
(418) 877-3371

⊕ **QUEBEC CITY,** DNR Electronique
57 Marie Del'Incaration, **G1N 3E9**
(418) 681-5055

MONTREAL, Leger Hoist Equipment, Inc.
7995 17th Ave., **H1Z 3R2**
(514) 376-3050

† **(MONTREAL) LAVAL,**
Centre de Reparations Hydrauliques
Uptown Ltee
1213 Rue Tellier, **H7C 2H1**
(450) 664-1111 or 1-800-363-7956

⊕ **ST. JEAN,** Alain Bonneau TV Inc.
411 Bell D'Iberville, **J2X 563**
(450) 347-0563

† **ST. MICHEL,** Wolseley
7711 17E Avenue, **H2A 254**
(514) 723-4696

SHERBROOKE, Do-Mar Electrique Inc.
1136 Rue King Est, **J1G 1E4**
(819) 563-2234

What is covered

RIDGID® tools are warranted to be free of defects in workmanship and material.

How long coverage lasts

This warranty lasts for the lifetime of the RIDGID® tool. Warranty coverage ends when the product becomes unusable for reasons other than defects in workmanship or material.

How you can get service

To obtain the benefit of this warranty, deliver via prepaid transportation the complete product to RIDGE TOOL COMPANY, Elyria, Ohio, or any authorized RIDGID® INDEPENDENT SERVICE CENTER. Pipe wrenches and other hand tools should be returned to the place of purchase.

What we will do to correct problems

Warranted products will be repaired or replaced, at RIDGE TOOL'S option, and returned at no charge; or, if after three attempts to repair or replace during the warranty period the product is still defective, you can elect to receive a full refund of your purchase price.

What is not covered

Failures due to misuse, abuse or normal wear and tear are not covered by this warranty. RIDGE TOOL shall not be responsible for any incidental or consequential damages.

How local law relates to the warranty

Some states do not allow the exclusion or limitation of incidental or consequential damages, so the above limitation or exclusion may not apply to you. This warranty gives you specific rights, and you may also have other rights, which vary, from state to state, province to province, or country to country.

No other express warranty applies

This FULL LIFETIME WARRANTY is the sole and exclusive warranty for RIDGID® products. No employee, agent, dealer, or other person is authorized to alter this warranty or make any other warranty on behalf of the RIDGE TOOL COMPANY.



FULL LIFETIME WARRANTY (garantie légale étendue à la durée de vie du produit, voir conditions de garantie / legal warranty extended to the product lifecycle, see warranty conditions)

Parts are available online at RIDGIDParts.com



Technical Service: 800-519-3456
(Product Application Assistance)

**Visit our web sites: RIDGID.com
and RIDGIDparts.com**

Ridge Tool Company
400 Clark Street
Elyria, Ohio 44035-6001
U.S.A.

Ce qui est couvert

Les outils RIDGID® sont garantis contre tous vices de matériaux et de main d'oeuvre.

Durée de couverture

Cette garantie est applicable durant la vie entière de l'outil RIDGID®. La couverture cesse dès lors que le produit devient inutilisable pour raisons autres que des vices de matériaux ou de main d'oeuvre.

Pour invoquer la garantie

Pour toutes réparations au titre de la garantie, il convient d'expédier le produit complet en port payé à la RIDGE TOOL COMPANY, Elyria, Ohio, ou bien le remettre à un réparateur RIDGID® agréé. Les clés à pipe et autres outils à main doivent être ramenés au lieu d'achat.

Ce que nous ferons pour résoudre le problème

Les produits sous garantie seront à la discrétion de RIDGE TOOL, soit réparés ou remplacés, puis réexpédiés gratuitement ; ou si, après trois tentatives de réparation ou de remplacement durant la période de validité de la garantie le produit s'avère toujours défectueux, vous aurez l'option de demander le remboursement intégral de son prix d'achat.

Ce qui n'est pas couvert

Les défaillances dues au mauvais emploi, à l'abus ou à l'usure normale ne sont pas couvertes par cette garantie. RIDGE TOOL ne sera tenue responsable d'aucuns dommages directs ou indirects.

L'influence de la législation locale sur la garantie

Puisque certaines législations locales interdisent l'exclusion des dommages directs ou indirects, il se peut que la limitation ou exclusion ci-dessus ne vous soit pas applicable. Cette garantie vous donne des droits spécifiques qui peuvent être éventuellement complétés par d'autres droits prévus par votre législation locale.

Il n'existe aucune autre garantie expresse

Cette GARANTIE PERPETUELLE INTEGRALE est la seule et unique garantie couvrant les produits RIDGID®. Aucun employé, agent, distributeur ou tiers n'est autorisé à modifier cette garantie ou à offrir une garantie supplémentaire au nom de la RIDGE TOOL COMPANY.

Qué cubre

Las herramientas RIDGID® están garantizadas contra defectos de la mano de obra y de los materiales empleados en su fabricación.

Duración de la cobertura

Esta garantía cubre a la herramienta RIDGID® durante toda su vida útil. La cobertura de la garantía caduca cuando el producto se torna inservible por razones distintas a las de defectos en la mano de obra o en los materiales.

Cómo obtener servicio

Para obtener los beneficios de esta garantía, envíe mediante porte pagado, la totalidad del producto a RIDGE TOOL COMPANY, en Elyria, Ohio, o a cualquier Servicentro Independiente RIDGID®. Las llaves para tubos y demás herramientas de mano deben devolverse a la tienda donde se adquirieron.

Lo que hacemos para corregir el problema

El producto bajo garantía será reparado o reemplazado por otro, a discreción de RIDGE TOOL, y devuelto sin costo; o, si aún resulta defectuoso después de haber sido reparado o sustituido tres veces durante el período de su garantía, Ud. puede optar por recibir un reembolso por el valor total de su compra.

Lo que no está cubierto

Esta garantía no cubre fallas debido al mal uso, abuso o desgaste normal. RIDGE TOOL no se hace responsable de daño incidental o consiguiente alguno.

Relación entre la garantía y las leyes locales

Algunos estados de los EE.UU. no permiten la exclusión o restricción referente a daños incidentales o consiguientes. Por lo tanto, puede que la limitación o restricción mencionada anteriormente no rija para Ud. Esta garantía le otorga derechos específicos, y puede que, además, Ud tenga otros derechos, los cuales varían de estado a estado, provincia a provincia o país a país.

No rige ninguna otra garantía expresa

Esta GARANTIA VITALICIA es la única y exclusiva garantía para los productos RIDGID®. Ningún empleado, agente, distribuidor u otra persona está autorizado para modificar esta garantía u ofrecer cualquier otra garantía en nombre de RIDGE TOOL COMPANY.