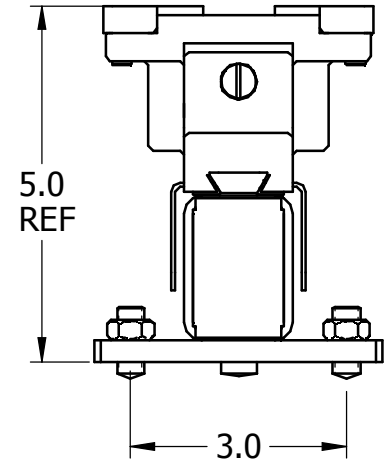
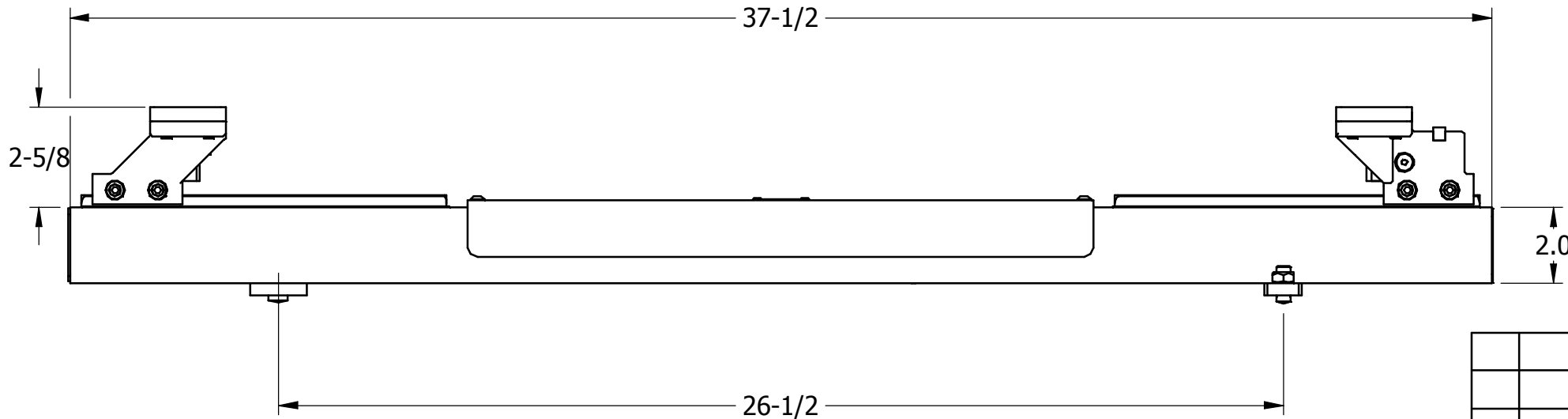
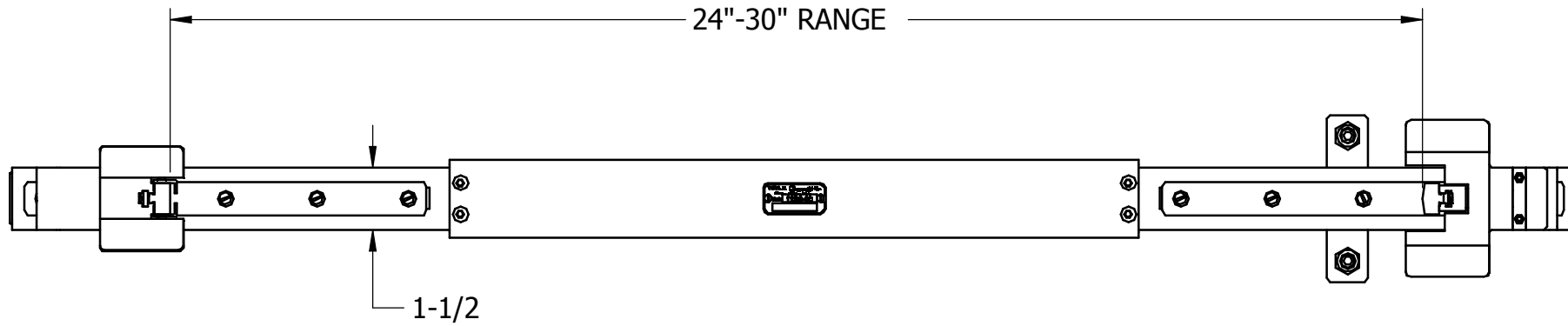


OPER

TOOLS



REV	DESCRIPTION	DATE	BY
DR	WEN	CHK	DATE

**INTERNAL - EXTERNAL
SETTING MASTER
RANGE 24" - 30"**

**THE L.S. STARRETT CO.
ATHOL, MASS.**

FRACTIONAL TOLERANCE $\pm 1/64$ UNLESS OTHERWISE NOTED