

SH. 1
OF 1

CAT NO

1126-42

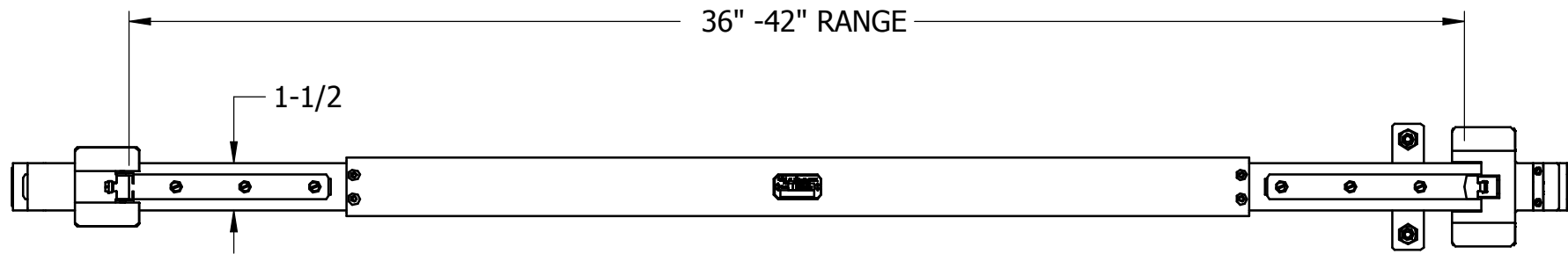
CUSTOMER DIMENSIONS

DO NOT
SEPARATE
PRINT FROM
WORK

LOT NO

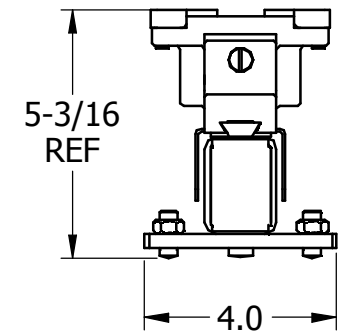
OPER

TOOLS



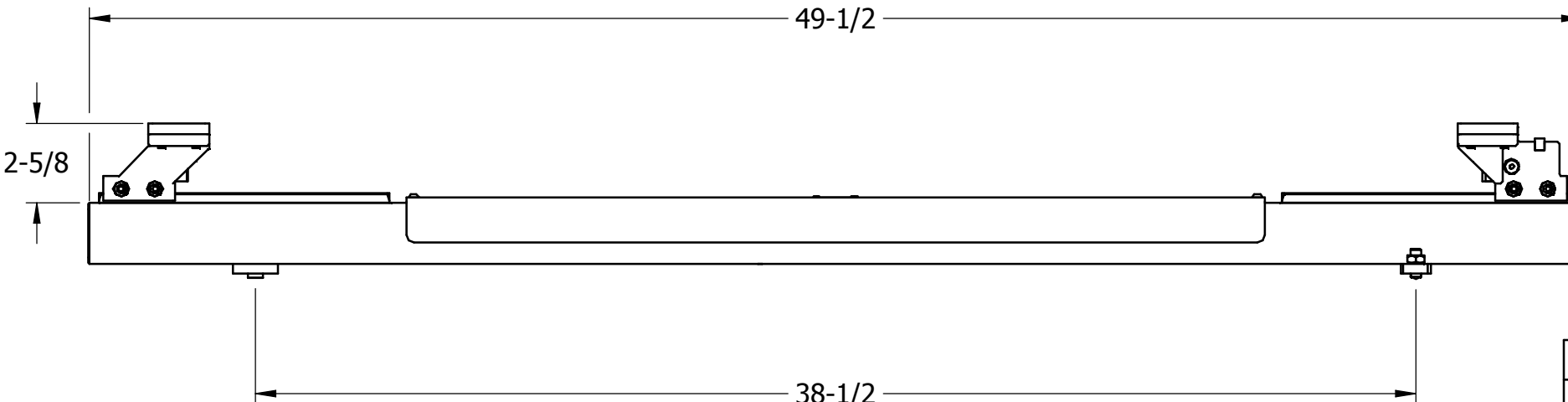
1-1/2

36" -42" RANGE



5-3/16
REF

4.0



2-5/8

49-1/2

38-1/2

2.0

REV	DESCRIPTION	DATE	BY
DR	WEN	CHK	DATE

INTERNAL - EXTERNAL
SETTING MASTER
RANGE 36" - 42"

THE L.S. STARRETT CO.
ATHOL, MASS.

FRACTIONAL TOLERANCE +- 1/64 UNLESS OTHERWISE NOTED