

SH. 1
OF 1

CAT NO

129

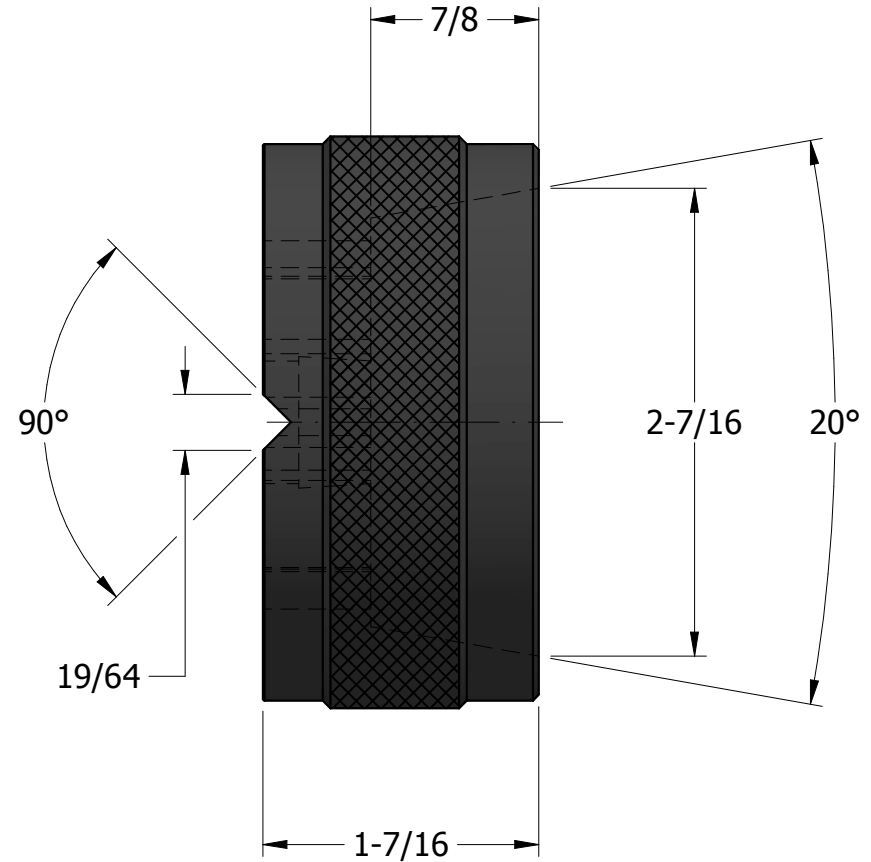
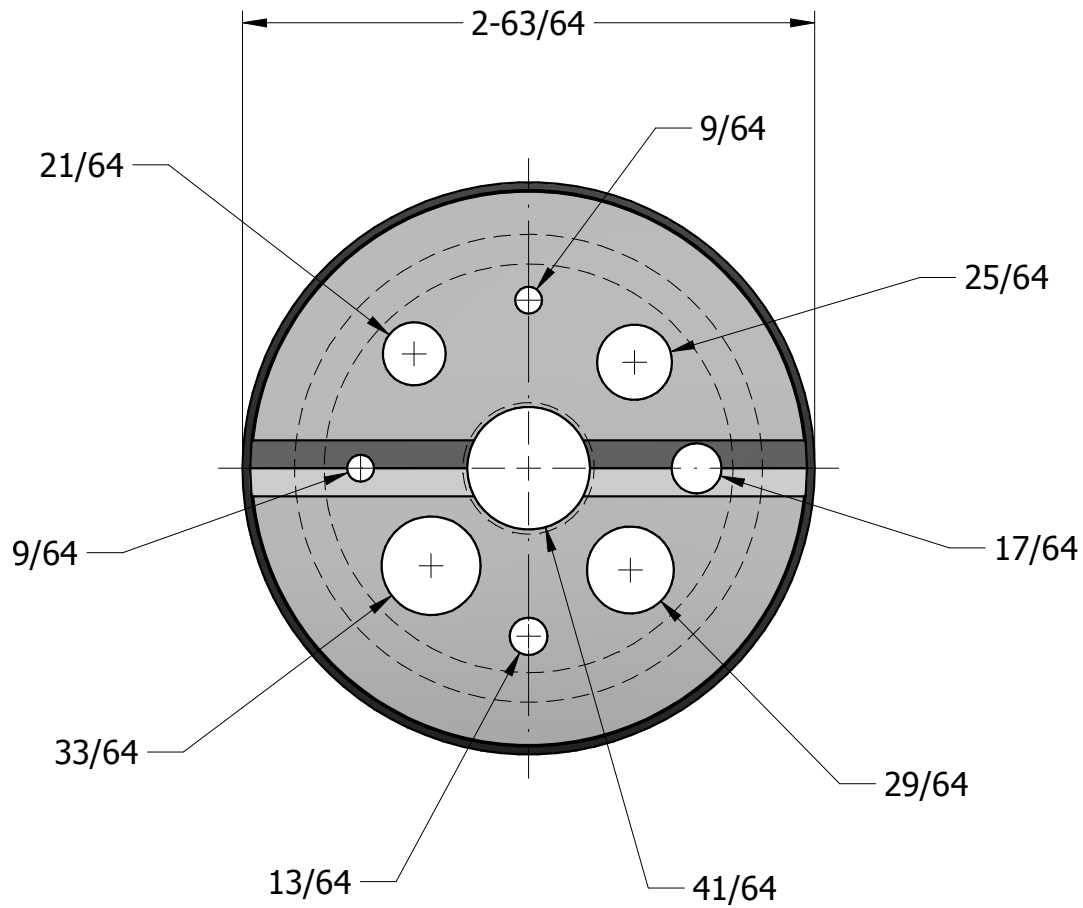
CUSTOMER DIMENSIONS

DO NOT
SEPARATE
PRINT FROM
WORK

LOT NO

OPER

TOOLS



B	REDRAWN IN SE	2/2/15	SAF
REV	DESCRIPTION	DATE	BY
DR	CHC	CHK	DATE

BENCH BLOCK

THE L.S. STARRETT CO.
ATHOL, MASS.

FRACTIONAL TOLERANCE $\pm \frac{1}{64}$ UNLESS OTHERWISE NOTED