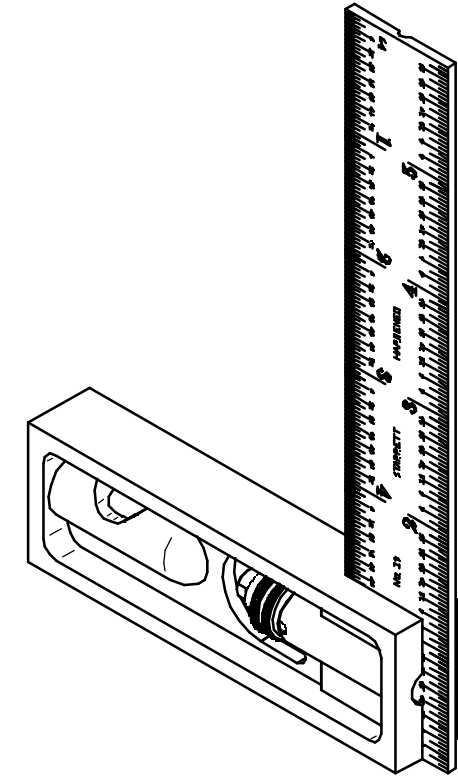
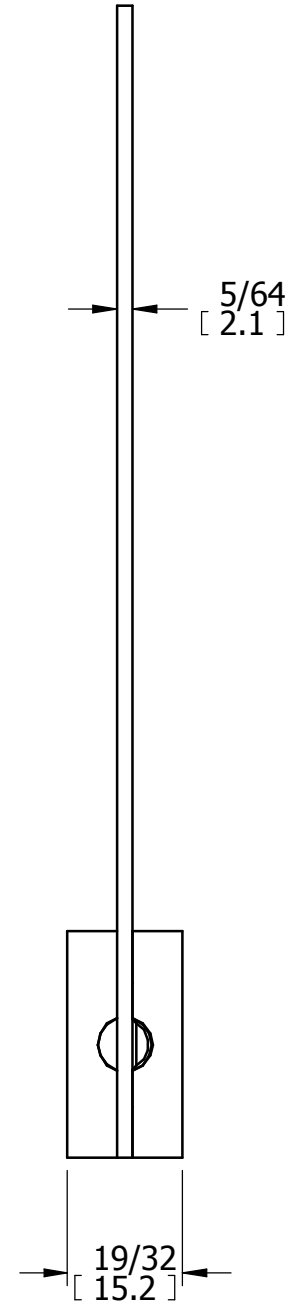
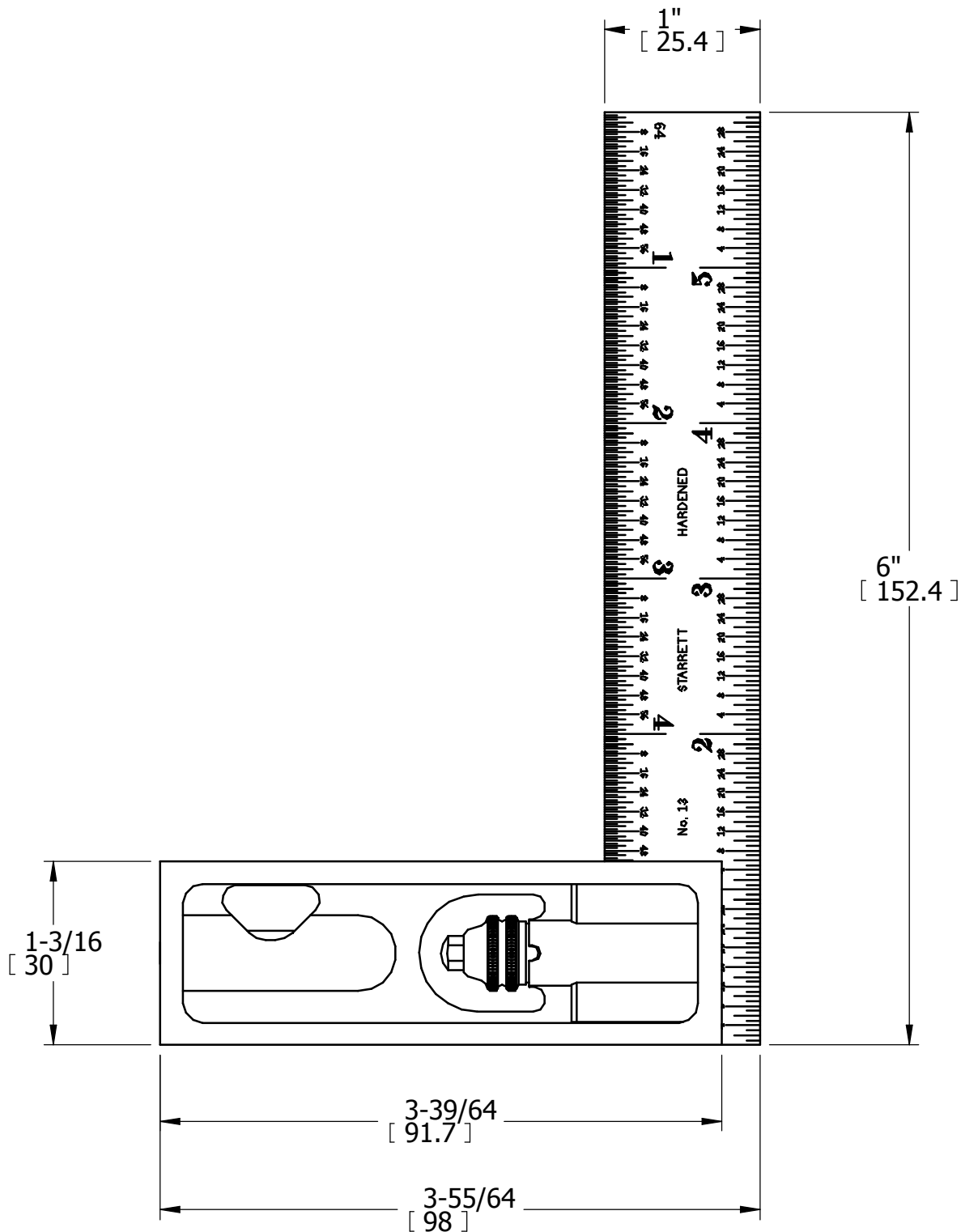


OPER

TOOLS




REV	DESCRIPTION	DATE	BY
DR	CHC	CHK	DATE

**DOUBLE SQUARE**  
6"  
**GRADUATED BLADE ONLY**

THE L.S. STARRETT CO.  
ATHOL, MASS.

FRACTIONAL TOLERANCE +- 1/64 UNLESS OTHERWISE NOTED

[MM]