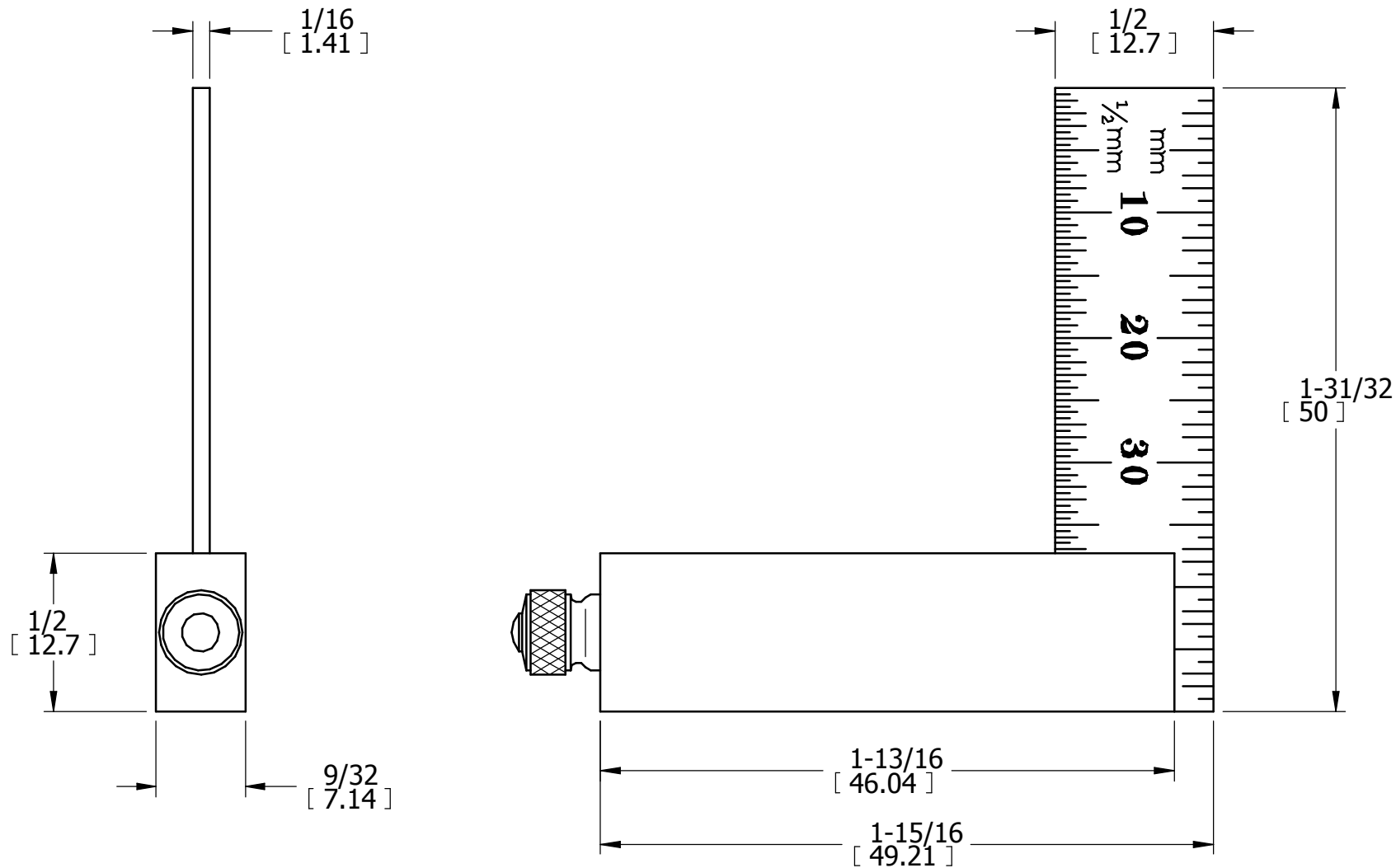


OPER

TOOLS



[MM]

REV	DESCRIPTION	DATE	BY
DR	HLS	CHK	DATE

DOUBLE STEEL
SQUARE
-METRIC-

THE L.S. STARRETT CO.
ATHOL, MASS.

FRACTIONAL TOLERANCE +- 1/64 UNLESS OTHERWISE NOTED