

SH. 1
OF 1

CAT NO

161E

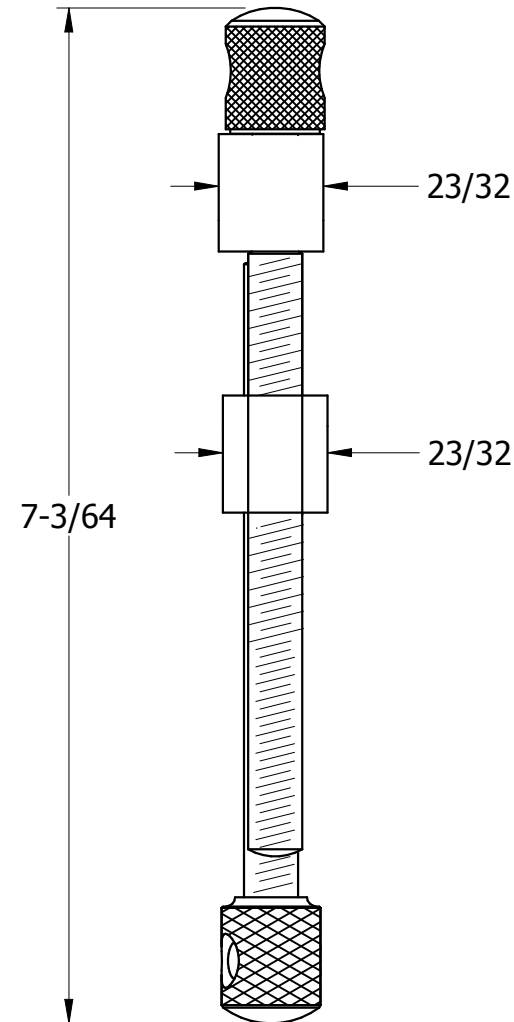
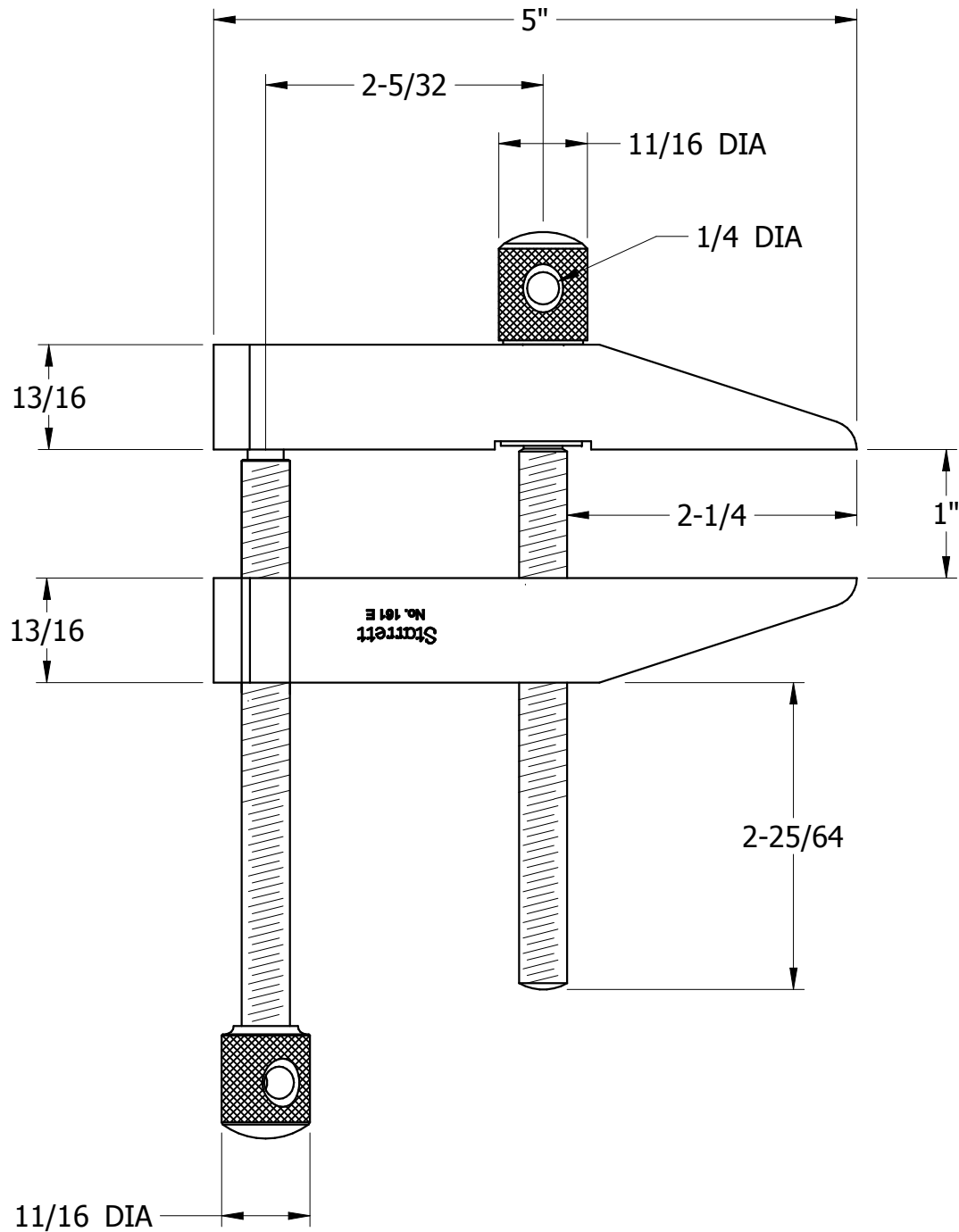
CUSTOMER DIMENSIONS

DO NOT
SEPARATE
PRINT FROM
WORK

LOT NO

OPER

TOOLS



REV	DESCRIPTION	DATE	BY
-----	-------------	------	----

DR	CAP	CHK	DATE 11/24/14
----	-----	-----	---------------

TOOL MAKERS
PARALLEL CLAMP

THE L.S. STARRETT CO.
ATHOL, MASS.

FRACTIONAL TOLERANCE $\pm \frac{1}{64}$ UNLESS OTHERWISE NOTED