

SH. 1
OF 1

CAT NO

190E

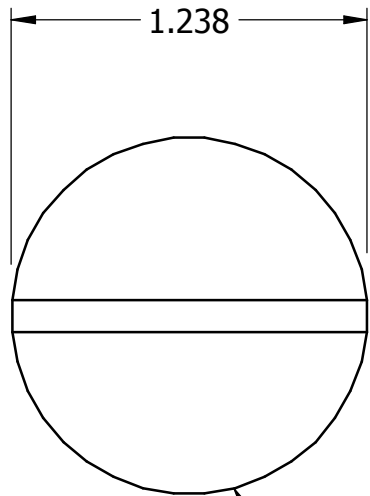
CUSTOMER DIMENSIONS

DO NOT
SEPARATE
PRINT FROM
WORK

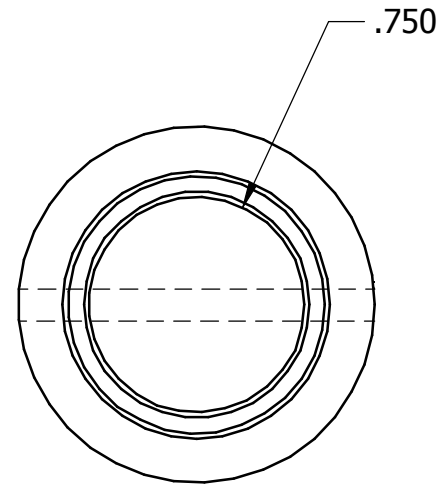
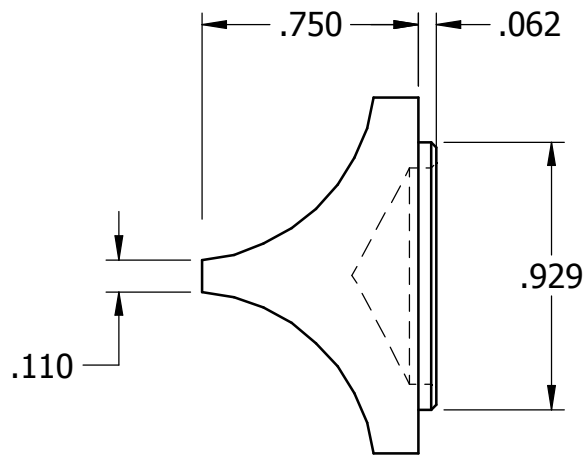
LOT NO

OPER

TOOLS



REF DWG
#02144-0



REV	DESCRIPTION	DATE	BY
DR	CAP	CHK	DATE

SWIVAL EXTENSION BASE

FRACTIONAL TOLERANCE +- 1/64 UNLESS OTHERWISE NOTED

THE L.S. STARRETT CO.
ATHOL, MASS.