

SH. 1  
OF 1

CAT NO

191B

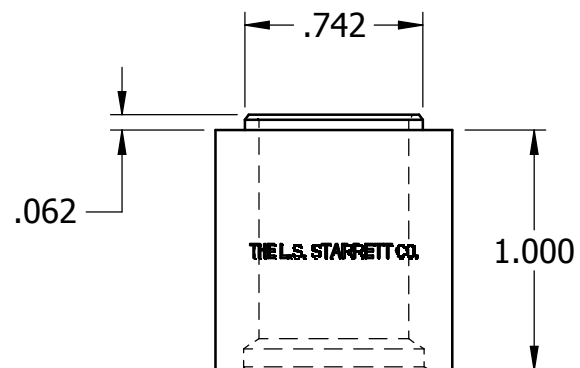
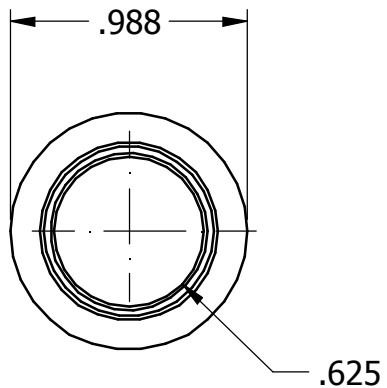
CUSTOMER DIMENSIONS

DO NOT  
SEPARATE  
PRINT FROM  
WORK

LOT NO

OPER

TOOLS




REV	DESCRIPTION	DATE	BY
DR	CAP	CHK	DATE

EXTENSION BASE

THE L.S. STARRETT CO.  
ATHOL, MASS.

FRACTIONAL TOLERANCE +- 1/64 UNLESS OTHERWISE NOTED