

SH. 1
OF 1

CAT NO

191C

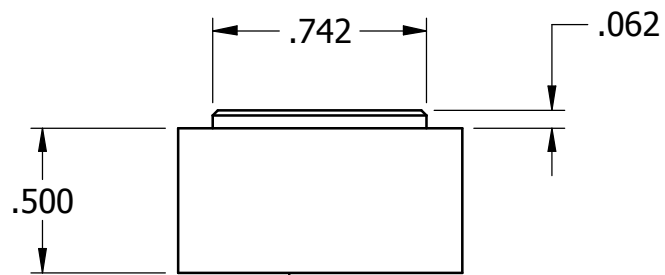
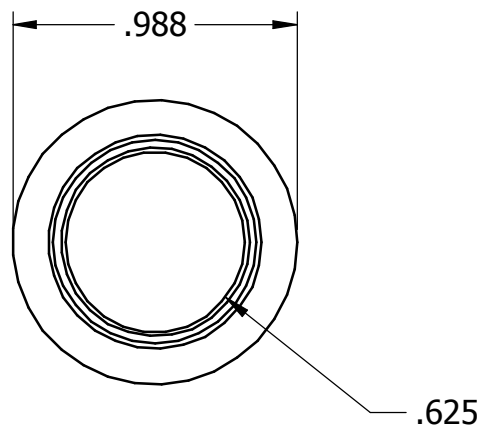
CUSTOMER DIMENSIONS

DO NOT
SEPARATE
PRINT FROM
WORK

LOT NO

OPER

TOOLS



REF DWG
#02147-0

REV	DESCRIPTION	DATE	BY
DR	CAP	CHK	DATE

EXTENSION BASE

THE L.S. STARRETT CO.
ATHOL, MASS.

FRACTIONAL TOLERANCE +- 1/64 UNLESS OTHERWISE NOTED