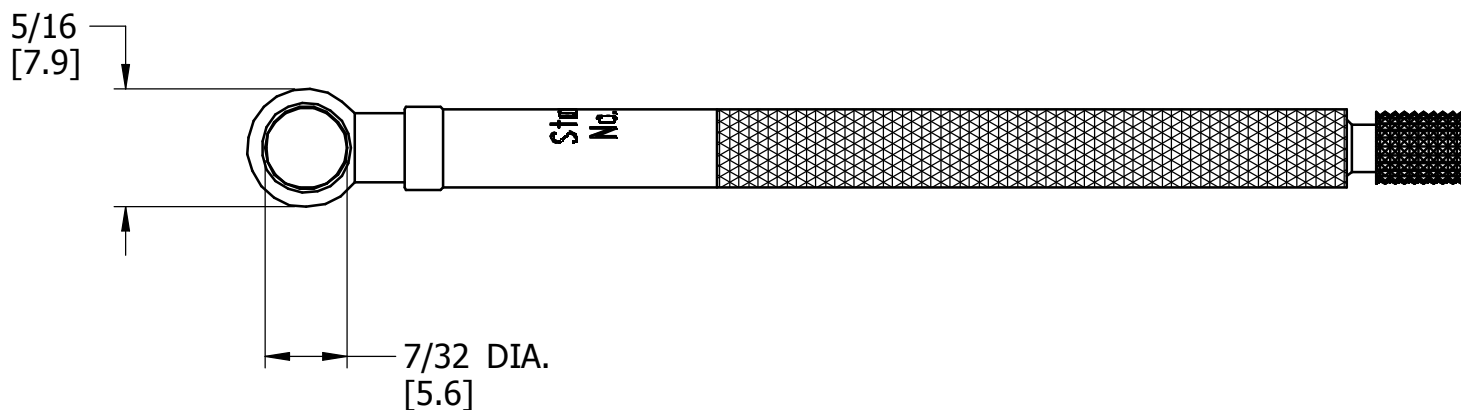
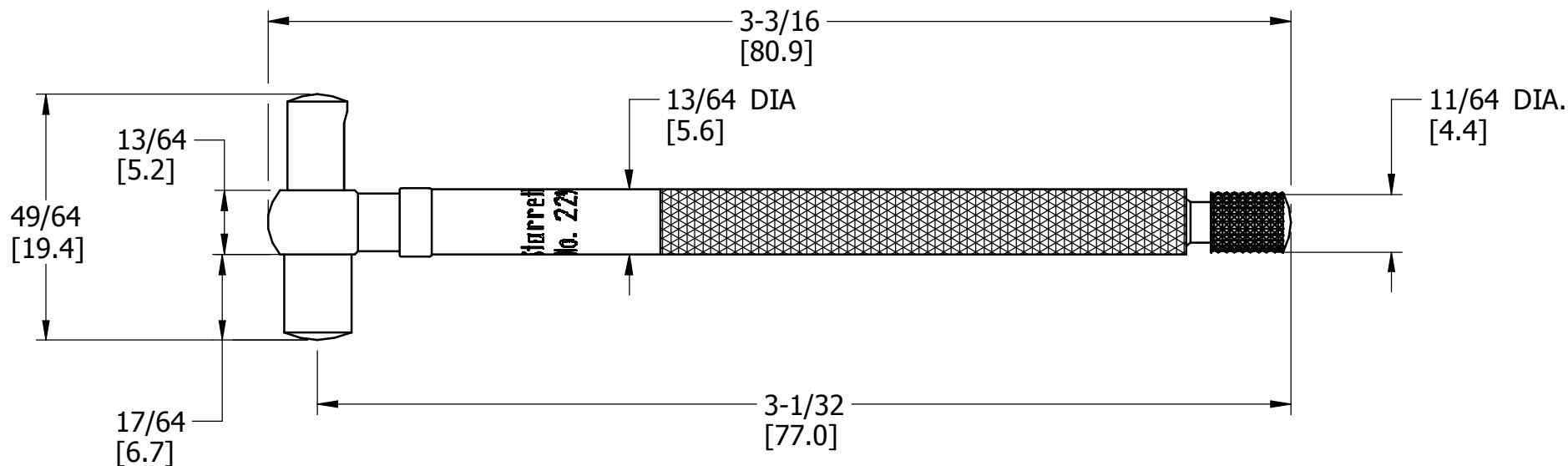
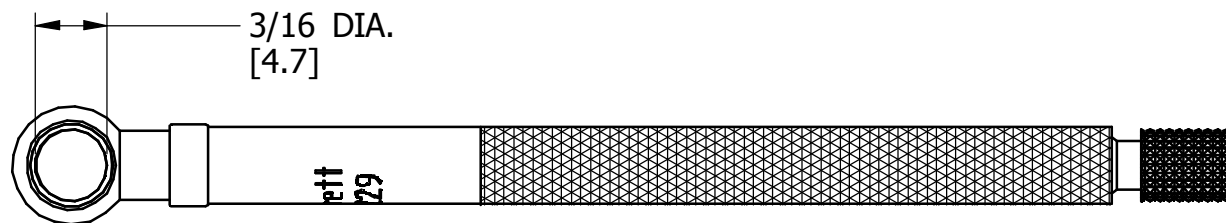


OPER

TOOLS



REV	DESCRIPTION	DATE	BY
-----	-------------	------	----

DR	PBM	CHK	DATE
----	-----	-----	------

1/2" - 3/4"
TELESCOPING GAGE
1978 DESIGN

THE L.S. STARRETT CO.
ATHOL, MASS.

FRACTIONAL TOLERANCE +- 1/64 UNLESS OTHERWISE NOTED