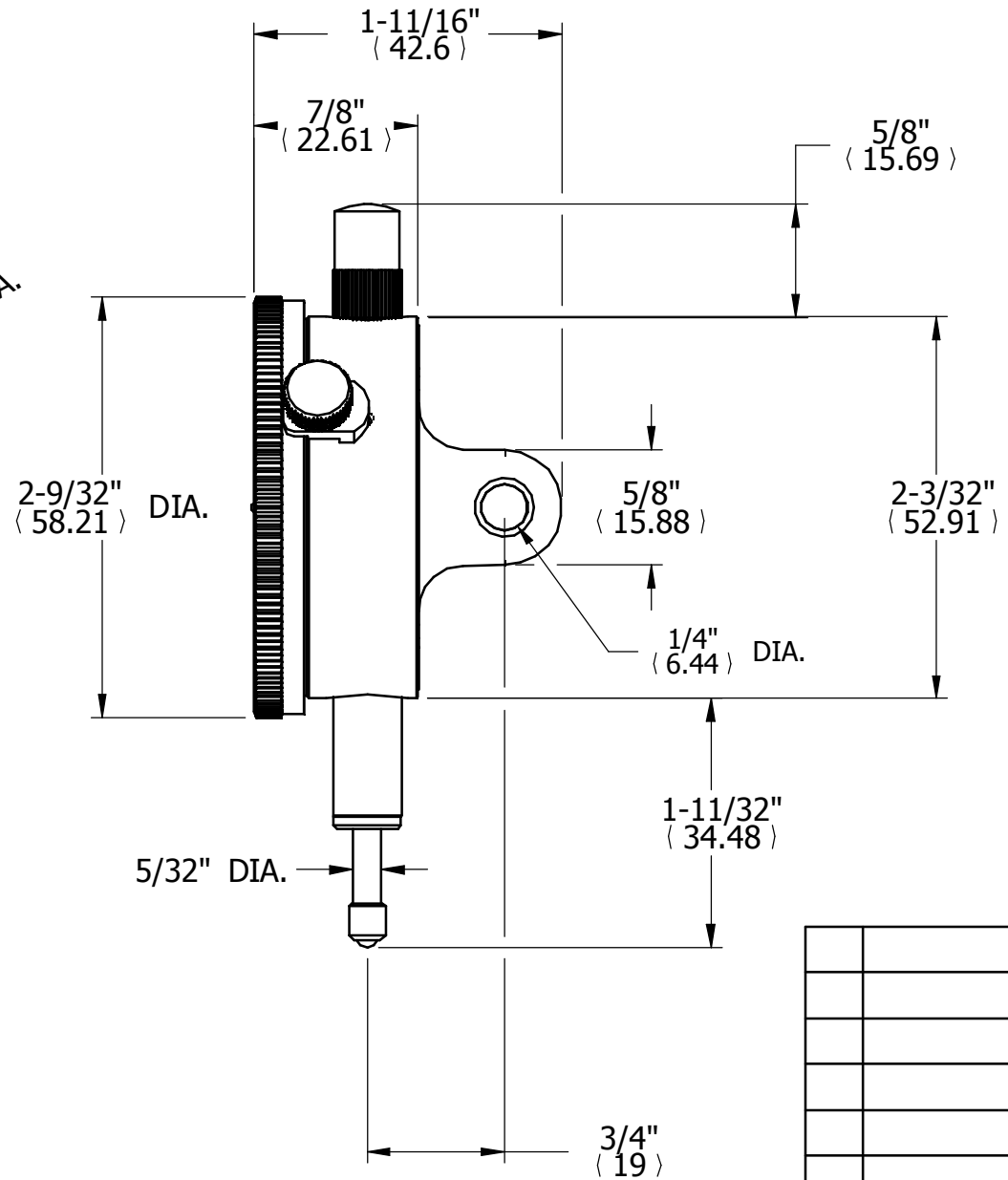
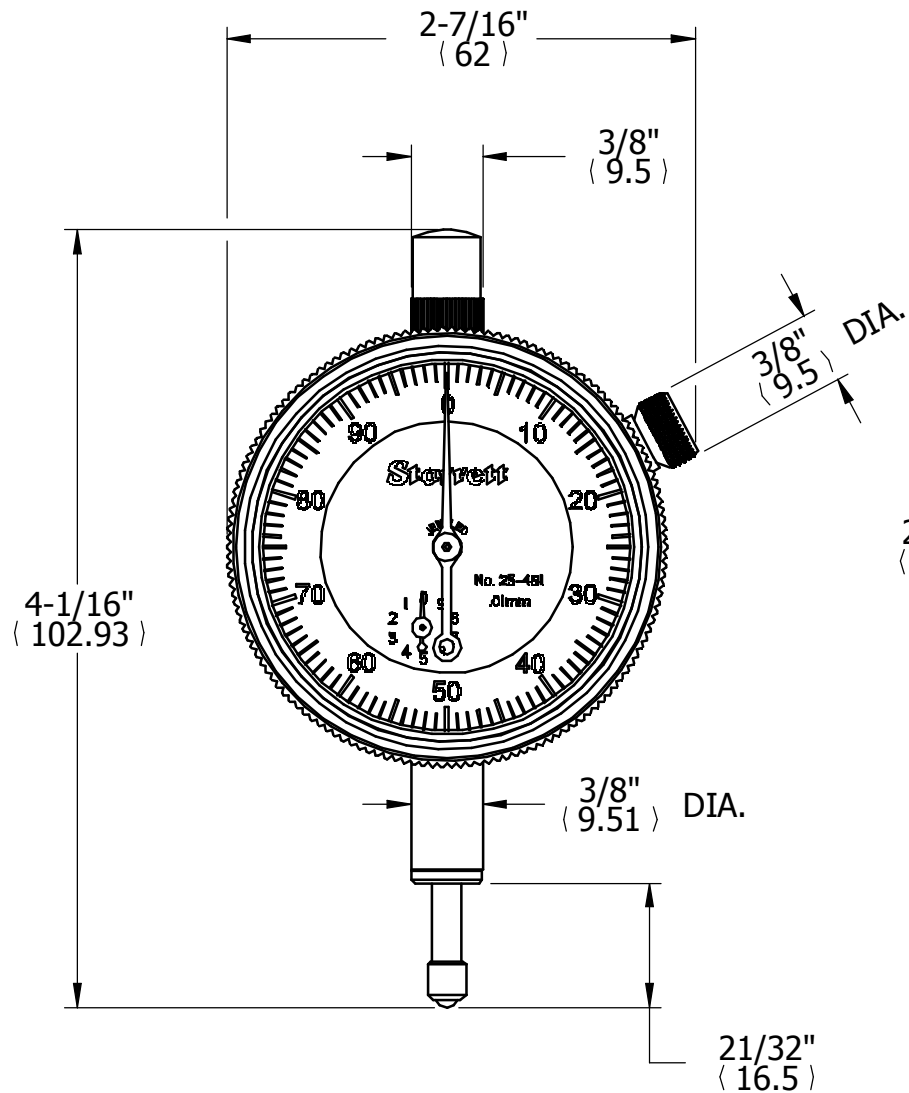


OPER

TOOLS




REV	DESCRIPTION	DATE	BY
DR	DSP	CHK	DATE

**DIAL INDICATOR**

THE L.S. STARRETT CO.  
ATHOL, MASS.

FRACTIONAL TOLERANCE +- 1/64 UNLESS OTHERWISE NOTED