

SH. 1
OF 1

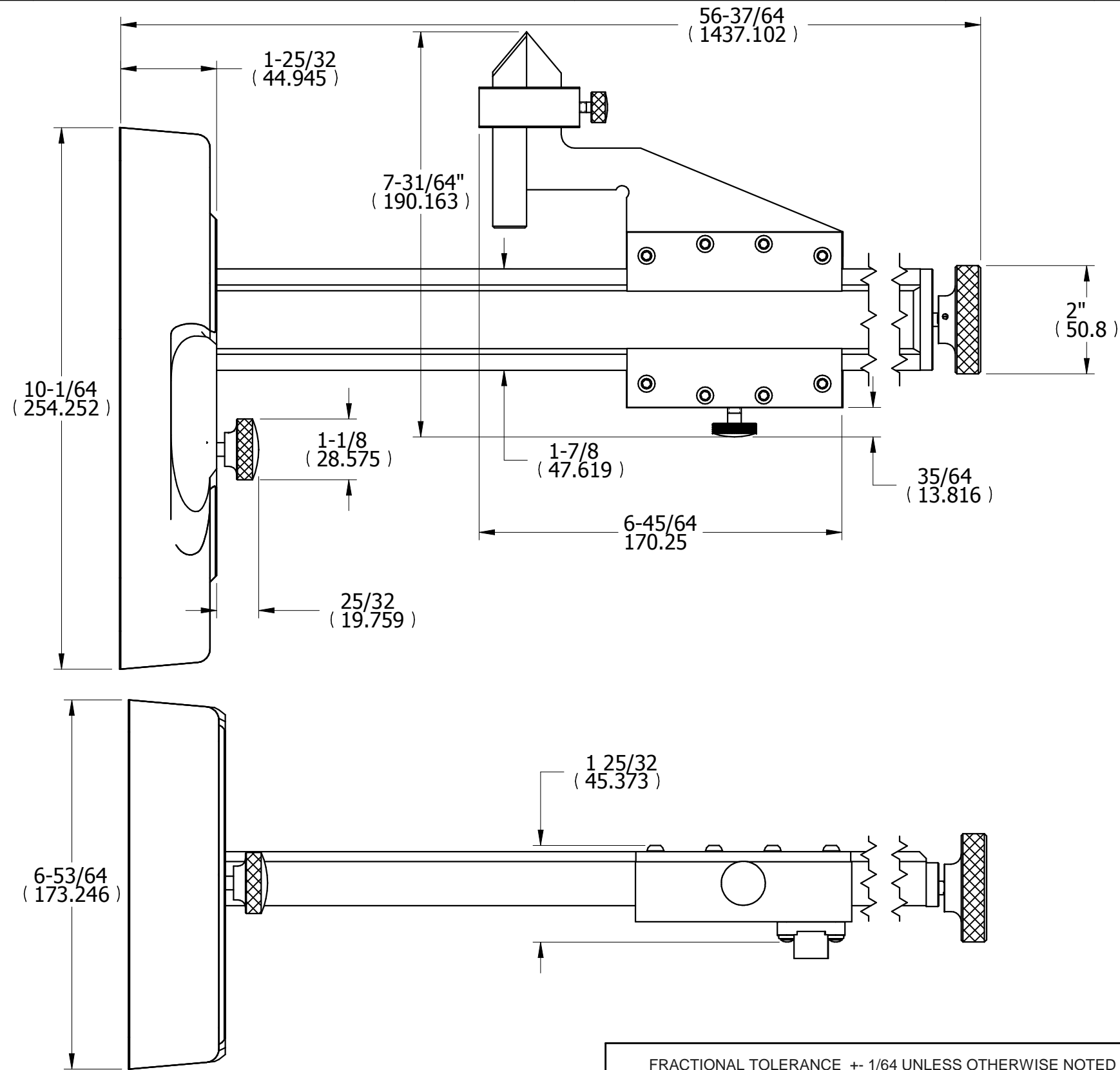
CAT NO

254Z-48

CUSTOMER DIMENSIONS

DO NOT
SEPARATE
PRINT FROM
WORK

LOT NO



FRACTIONAL TOLERANCE $\pm 1/64$ UNLESS OTHERWISE NOTED

| | | | |
|--|--|--|--|
| | | | |
| | | | |
| | | | |
| | | | |
| | | | |
| | | | |
| | | | |
| | | | |
| | | | |
| | | | |

| REV | DESCRIPTION | DATE | BY |
|-----|-------------|------|------|
| DR | WRB | CHK | DATE |

MASTER HEIGHT GAGE

THE L.S. STARRETT CO.
ATHOL, MASS.