

SH. 1
OF 1

CAT NO

894

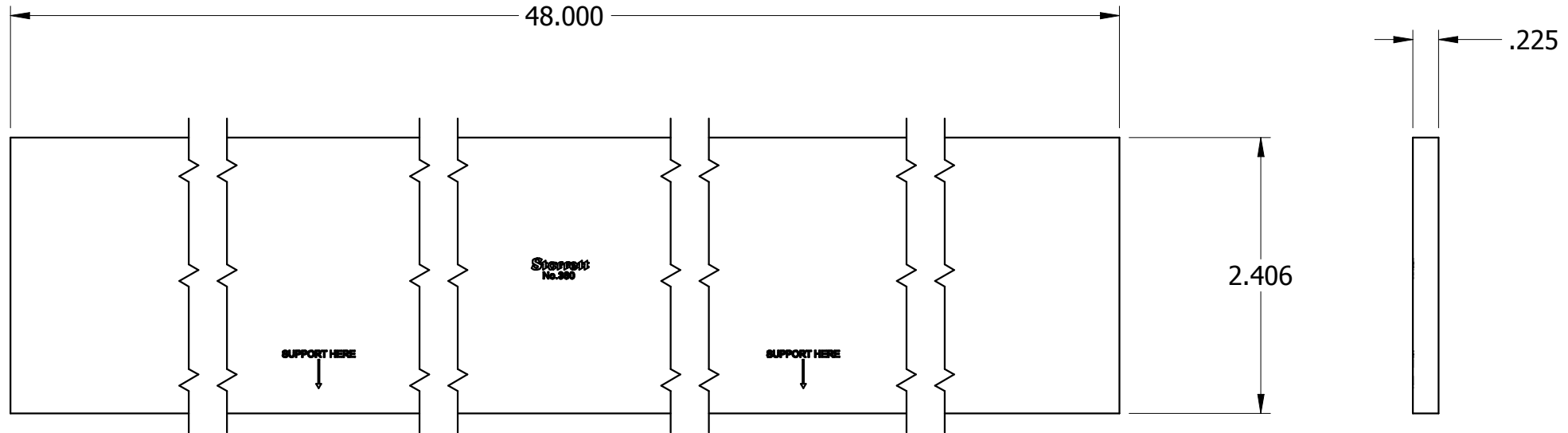
CUSTOMER DIMENSIONS

DO NOT
SEPARATE
PRINT FROM
WORK

LOT NO

OPER

TOOLS



REV	DESCRIPTION	DATE	BY
-----	-------------	------	----

DR	RFS	CHK	DATE
----	-----	-----	------

STRAIGHT EDGE
PLAIN - NOT BEVELED

THE L.S. STARRETT CO.
ATHOL, MASS.

FRACTIONAL TOLERANCE $\pm 1/64$ UNLESS OTHERWISE NOTED