

SH. 1
OF 1

CAT NO

56B

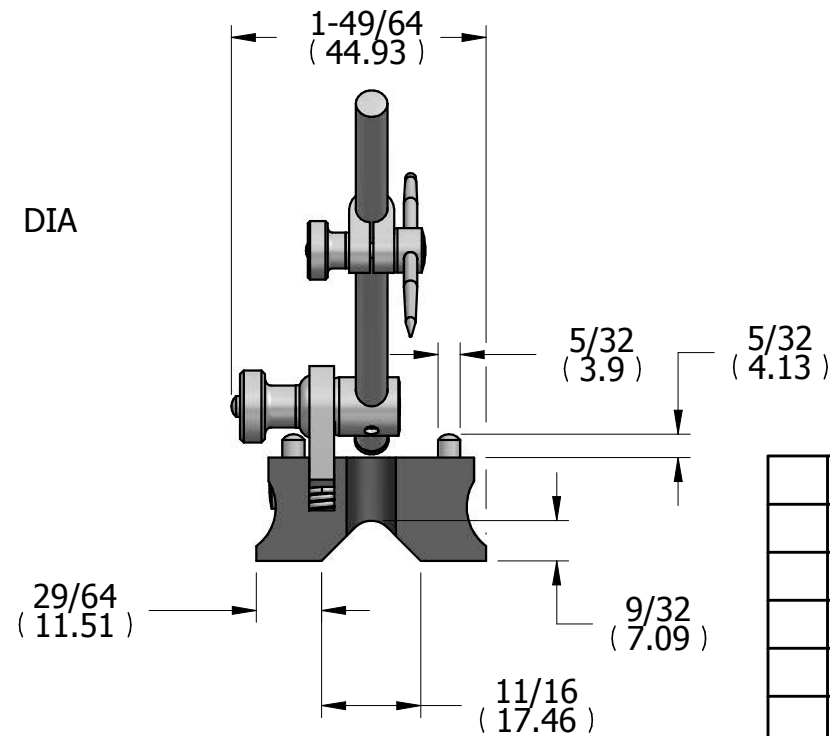
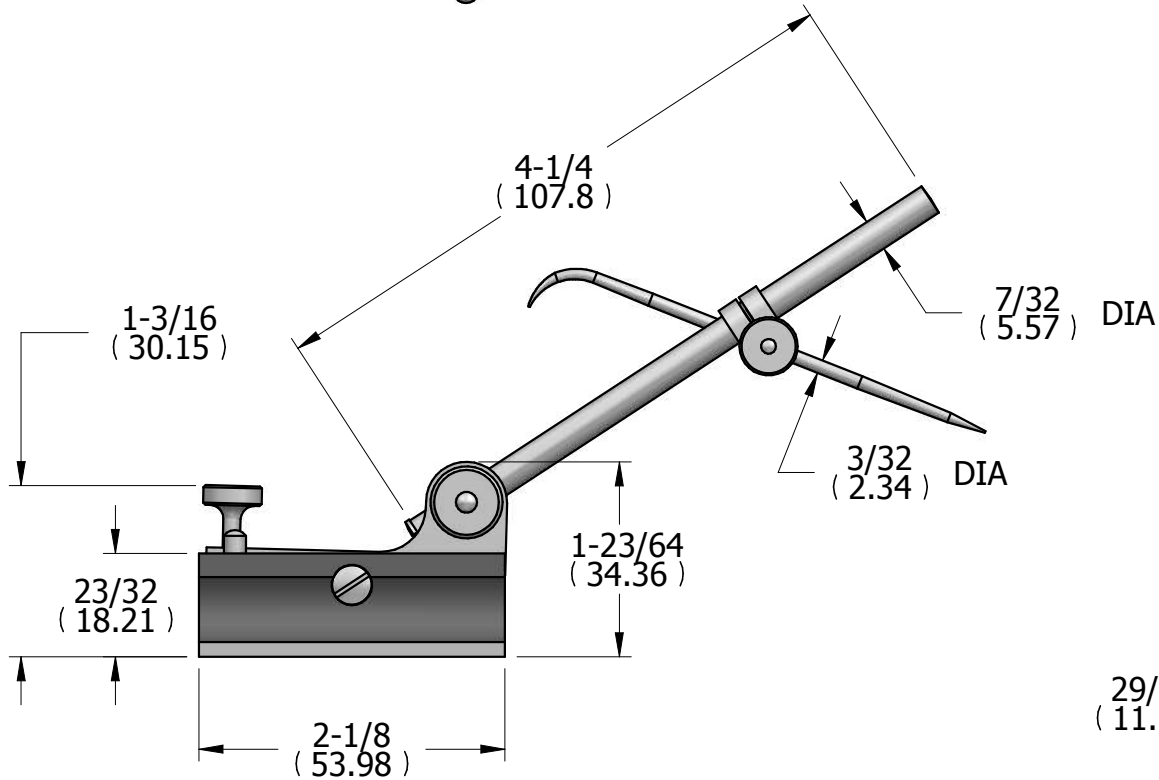
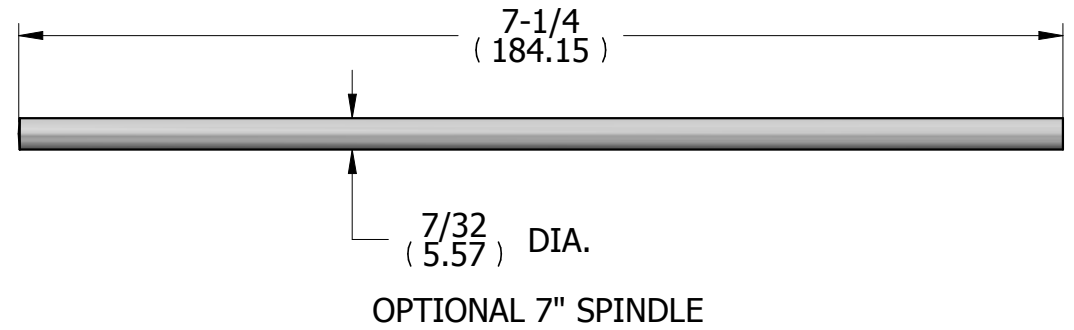
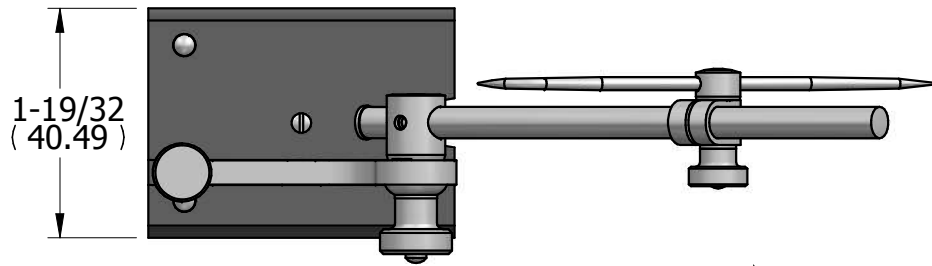
CUSTOMER DIMENSIONS

DO NOT
SEPARATE
PRINT FROM
WORK

LOT NO

OPER

TOOLS



SHOWN WITH SPINDLE AT 45°
AND GUIDE PINS IN "UP" POSITION

REV	DESCRIPTION	DATE	BY
-----	-------------	------	----

DR	HS	CHK	DATE
----	----	-----	------

**SURFACE GAGE
ASSEMBLY**

**THE L.S. STARRETT CO.
ATHOL, MASS.**

FRACTIONAL TOLERANCE +- 1/64 UNLESS OTHERWISE NOTED