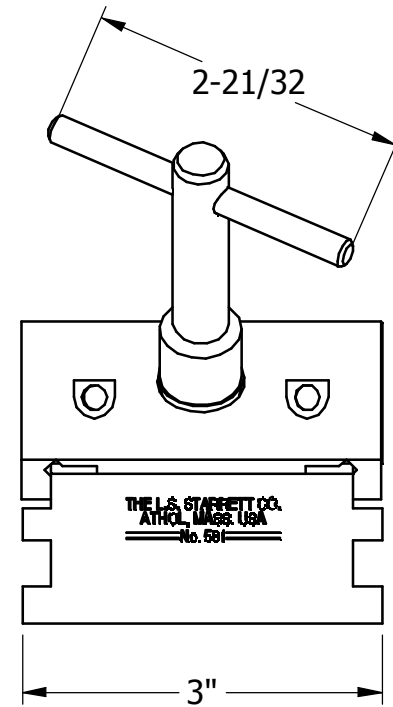
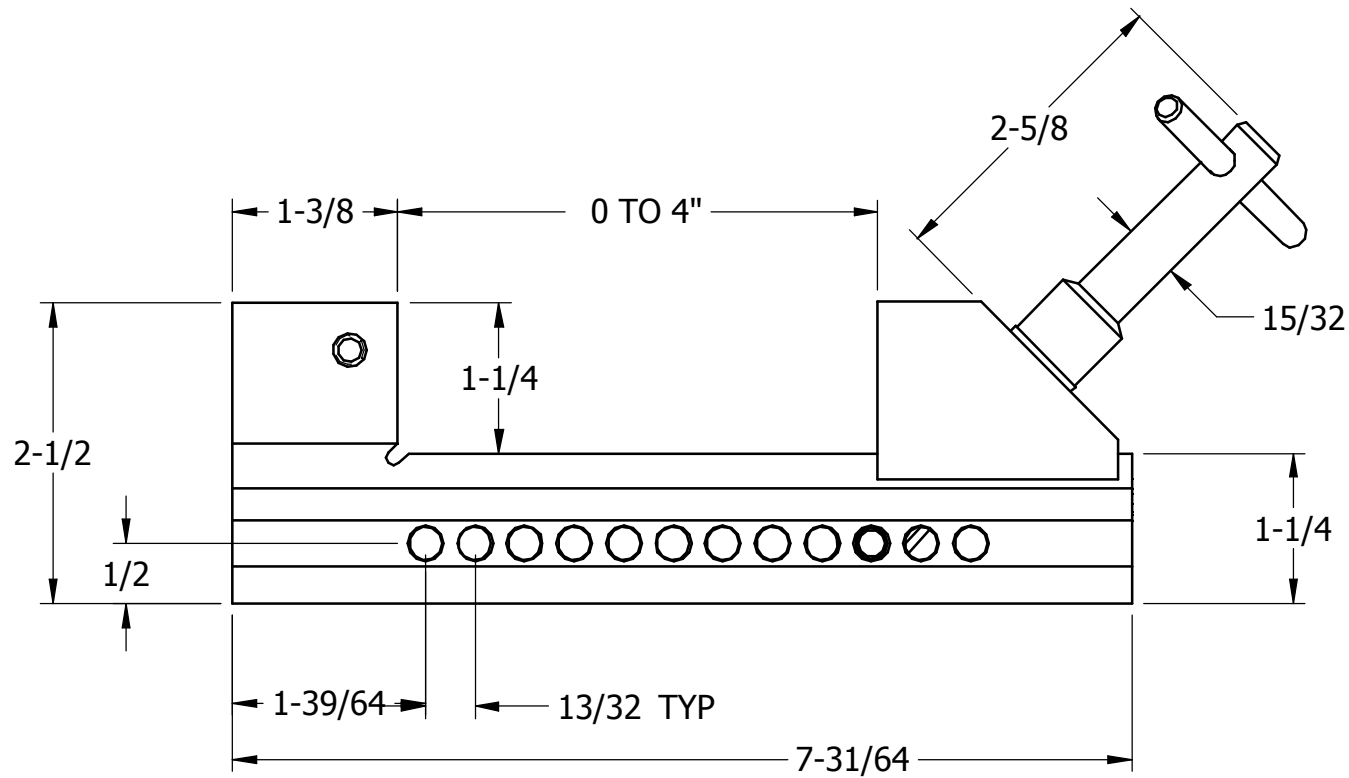


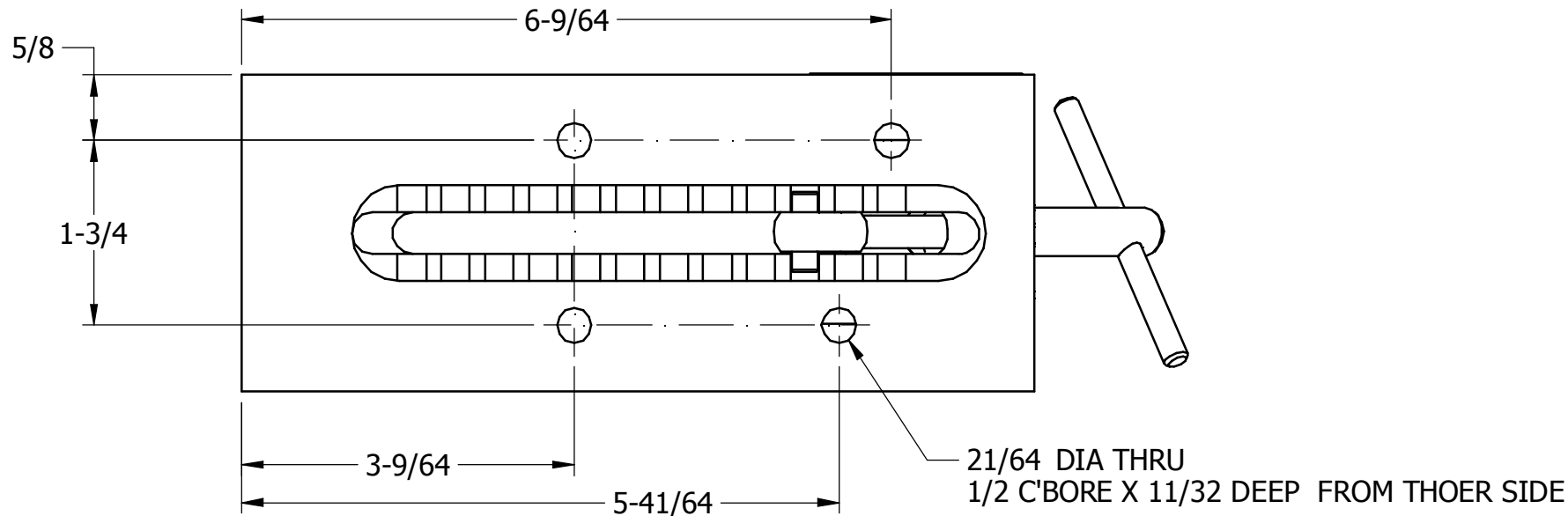
OPER

TOOLS



THE L.S. STARRETT CO.  
ATHOL, MASS. USA  
No. 581

WEIGHT: 8-1/4 LBS  
HARDNESS: HRC 58/60



FRACTIONAL TOLERANCE +- 1/64 UNLESS OTHERWISE NOTED

REV	DESCRIPTION	DATE	BY
DR	FRS	CHK	DATE

GRINDING VISE  
ASSEMBLY

THE L.S. STARRETT CO.  
ATHOL, MASS.