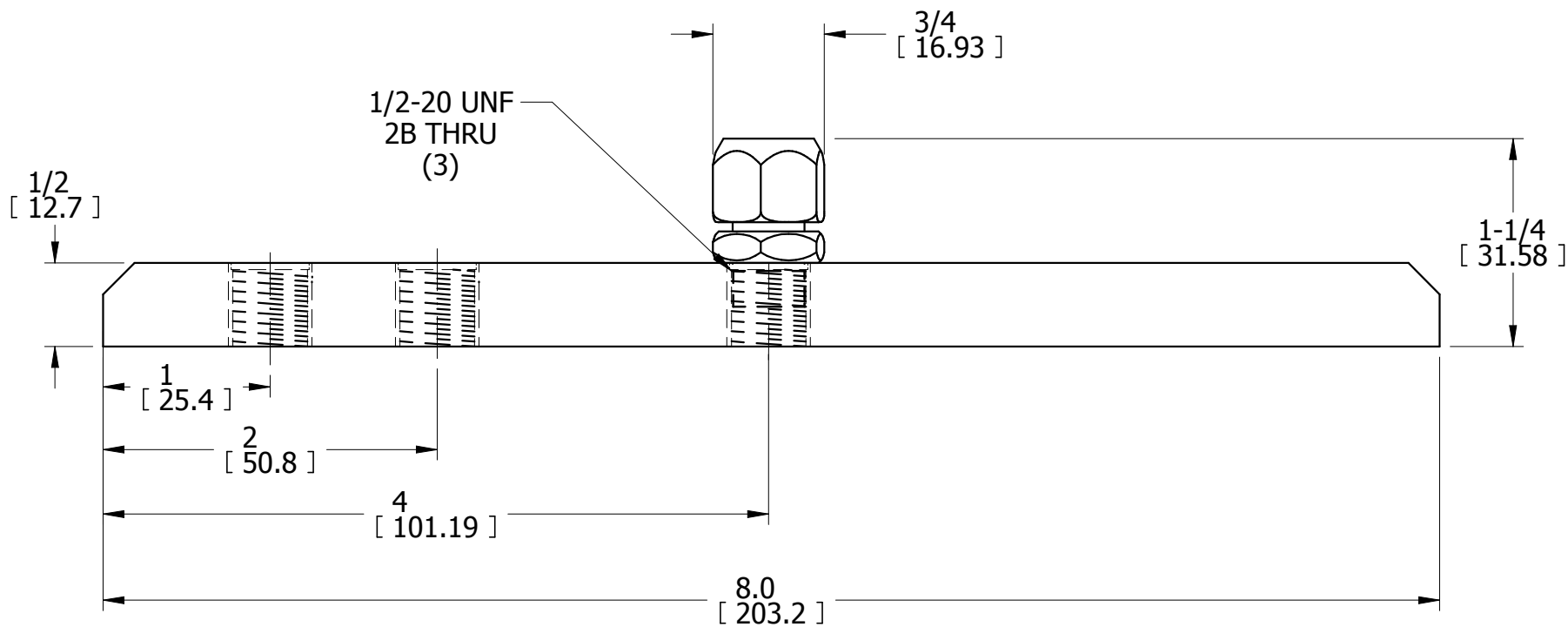
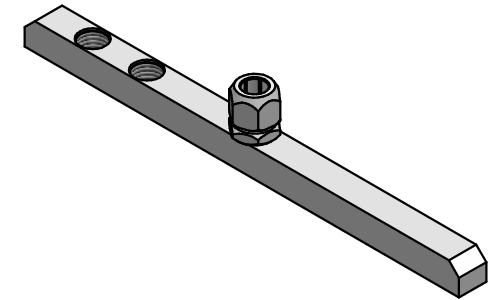
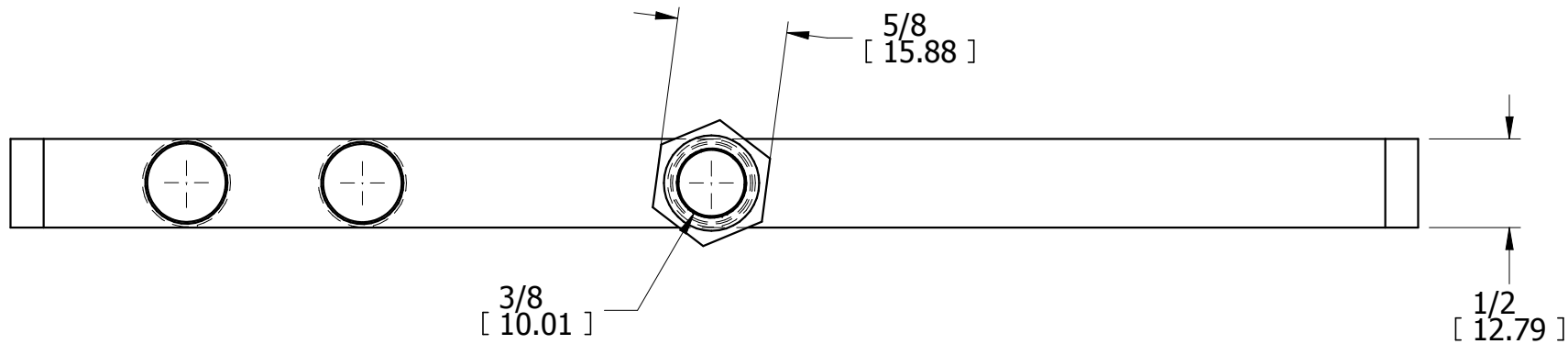


OPER

TOOLS



REV	DESCRIPTION	DATE	BY
DR	CHK	DATE	

INDICATOR
DEPTH GAGE
BASE 8"

THE L.S. STARRETT CO.
ATHOL, MASS.

FRACTIONAL TOLERANCE +- 1/64 UNLESS OTHERWISE NOTED