

SH. 1
OF 1

CAT NO

653G

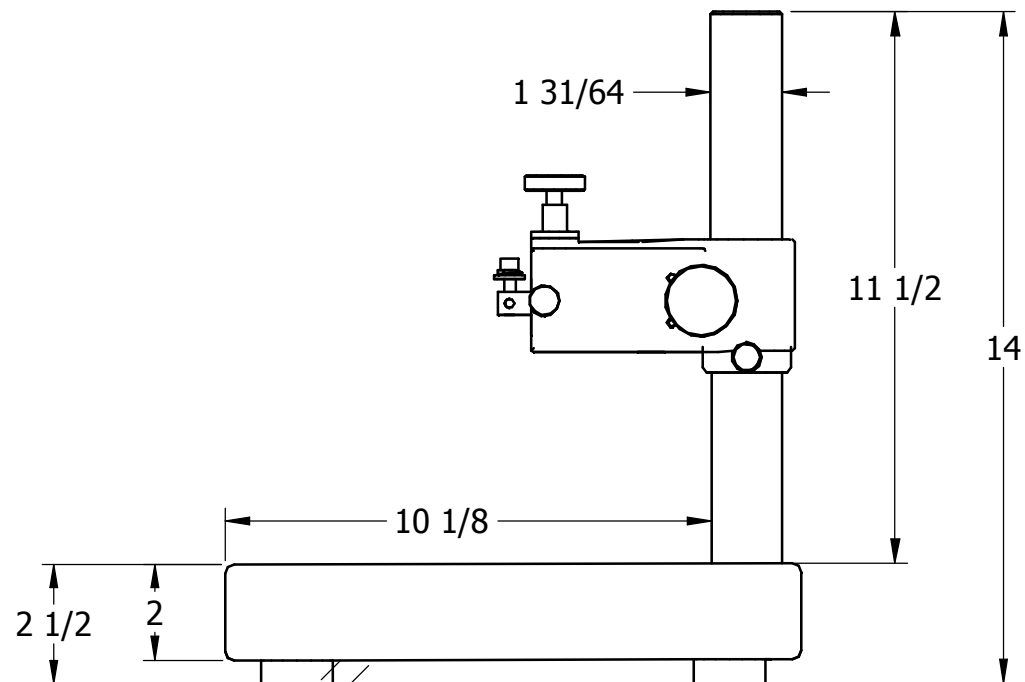
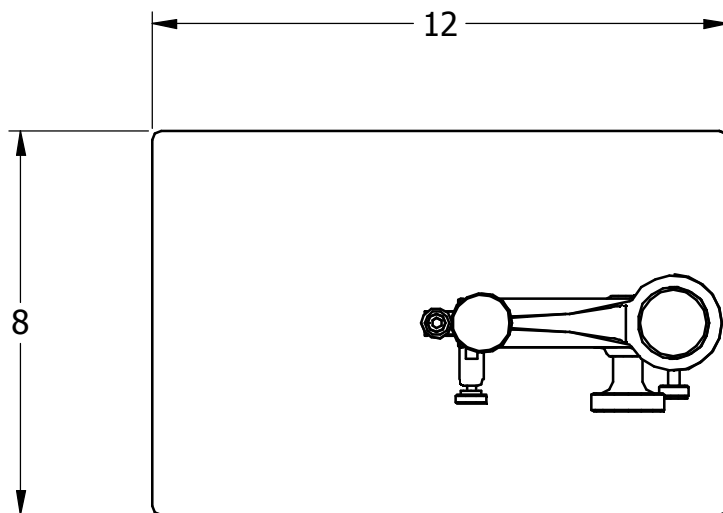
CUSTOMER DIMENSIONS

DO NOT
SEPARATE
PRINT FROM
WORK

LOT NO

OPER

TOOLS



REV	DESCRIPTION	DATE	BY
DR 653	CHK	DATE	

DIAL INDICATOR COMPARATOR
HOUSING - GRANITE BASE
(VERTICLE ADJUSTMENT)

THE L.S. STARRETT CO.
ATHOL, MASS.

FRACTIONAL TOLERANCE +- 1/64 UNLESS OTHERWISE NOTED