

SH. 1  
OF 1

CAT NO

653GJ

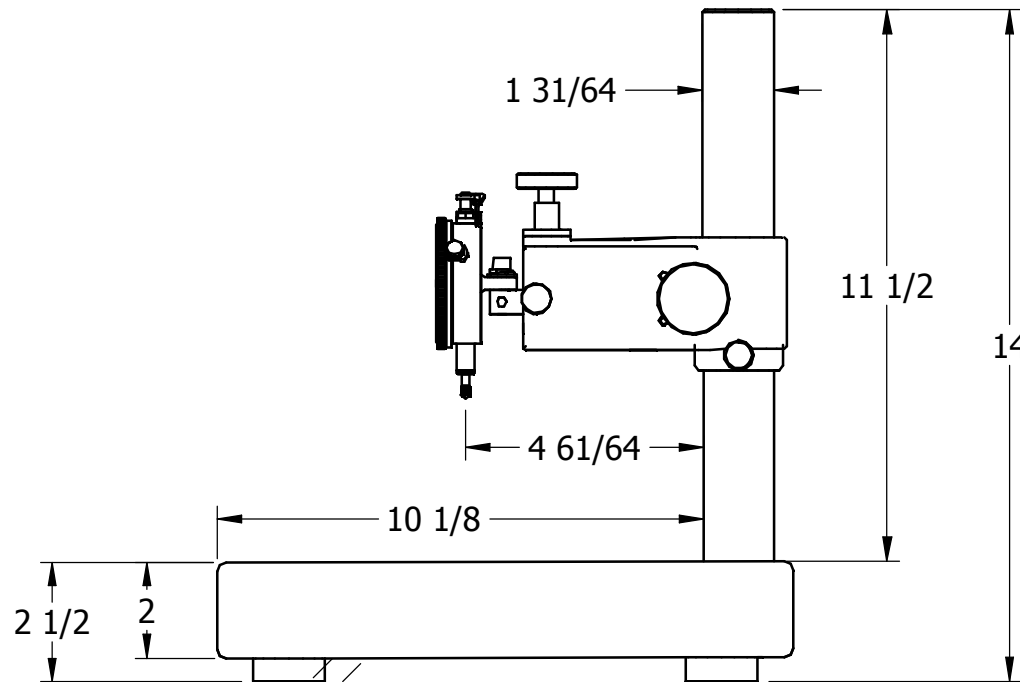
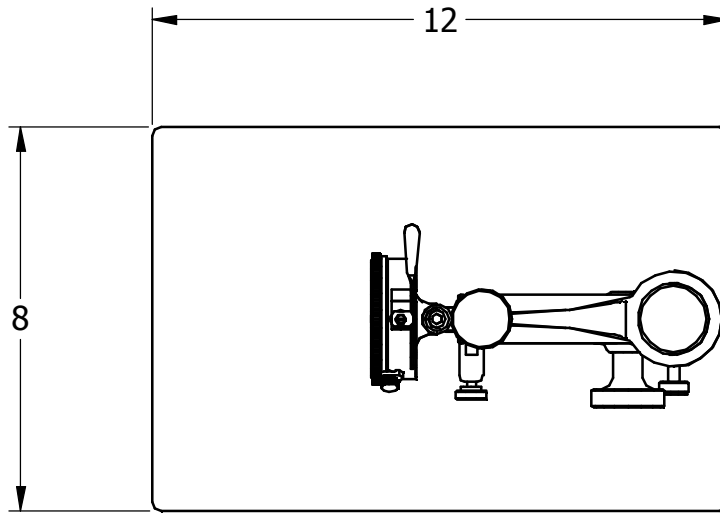
CUSTOMER DIMENSIONS

DO NOT  
SEPARATE  
PRINT FROM  
WORK

LOT NO

OPER

TOOLS




REV	DESCRIPTION	DATE	BY
DR 653	CHK	DATE	

DIAL INDICATOR COMPARATOR  
GRANITE BASE  
(VERTICLE ADJUSTMENT)

THE L.S. STARRETT CO.  
ATHOL, MASS.

FRACTIONAL TOLERANCE +- 1/64 UNLESS OTHERWISE NOTED