

SH. 1
OF 1

CAT NO

653J

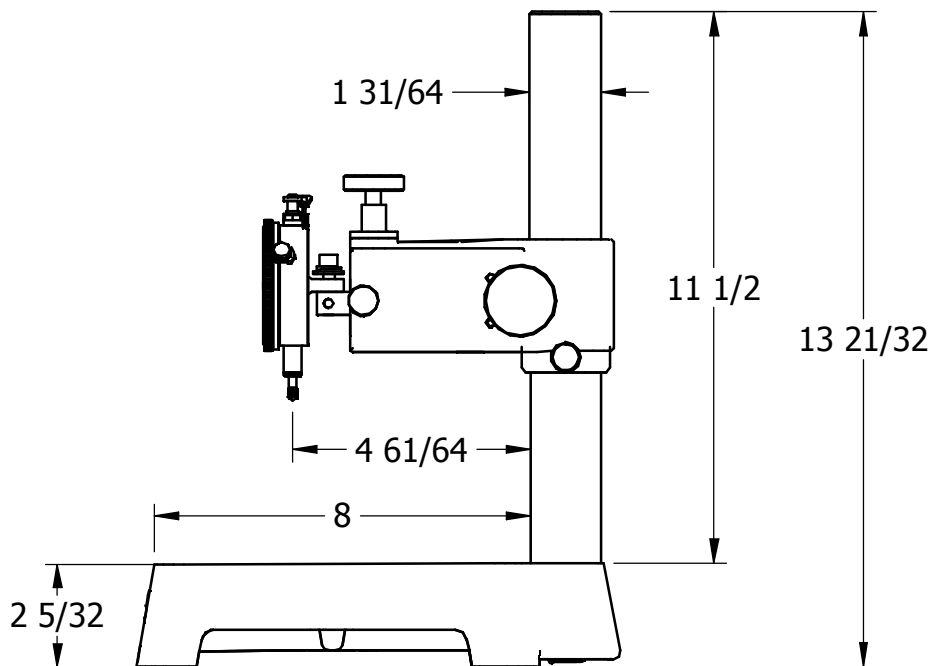
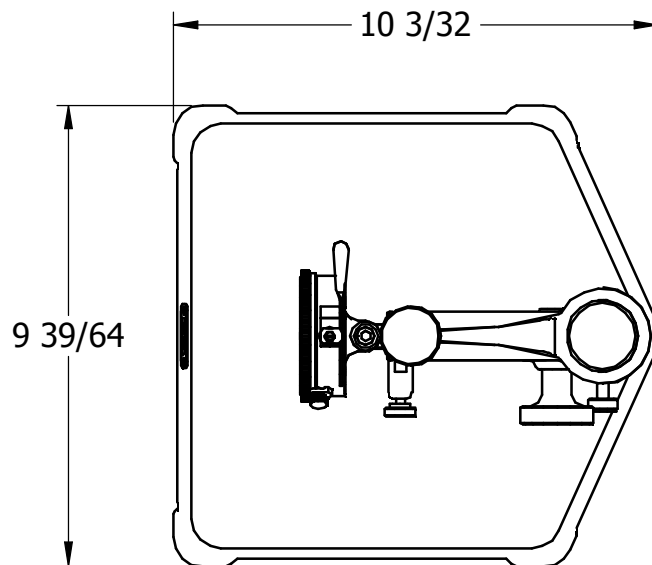
CUSTOMER DIMENSIONS

DO NOT
SEPARATE
PRINT FROM
WORK

LOT NO

OPER

TOOLS



REV	DESCRIPTION	DATE	BY
DR 653	CHK	DATE	

DIAL INDICATOR
COMPARATOR
(VERTICLE ADJUSTMENT)

THE L.S. STARRETT CO.
ATHOL, MASS.

FRACTIONAL TOLERANCE +- 1/64 UNLESS OTHERWISE NOTED