

SH. 1  
OF 1

CAT NO

659BZ

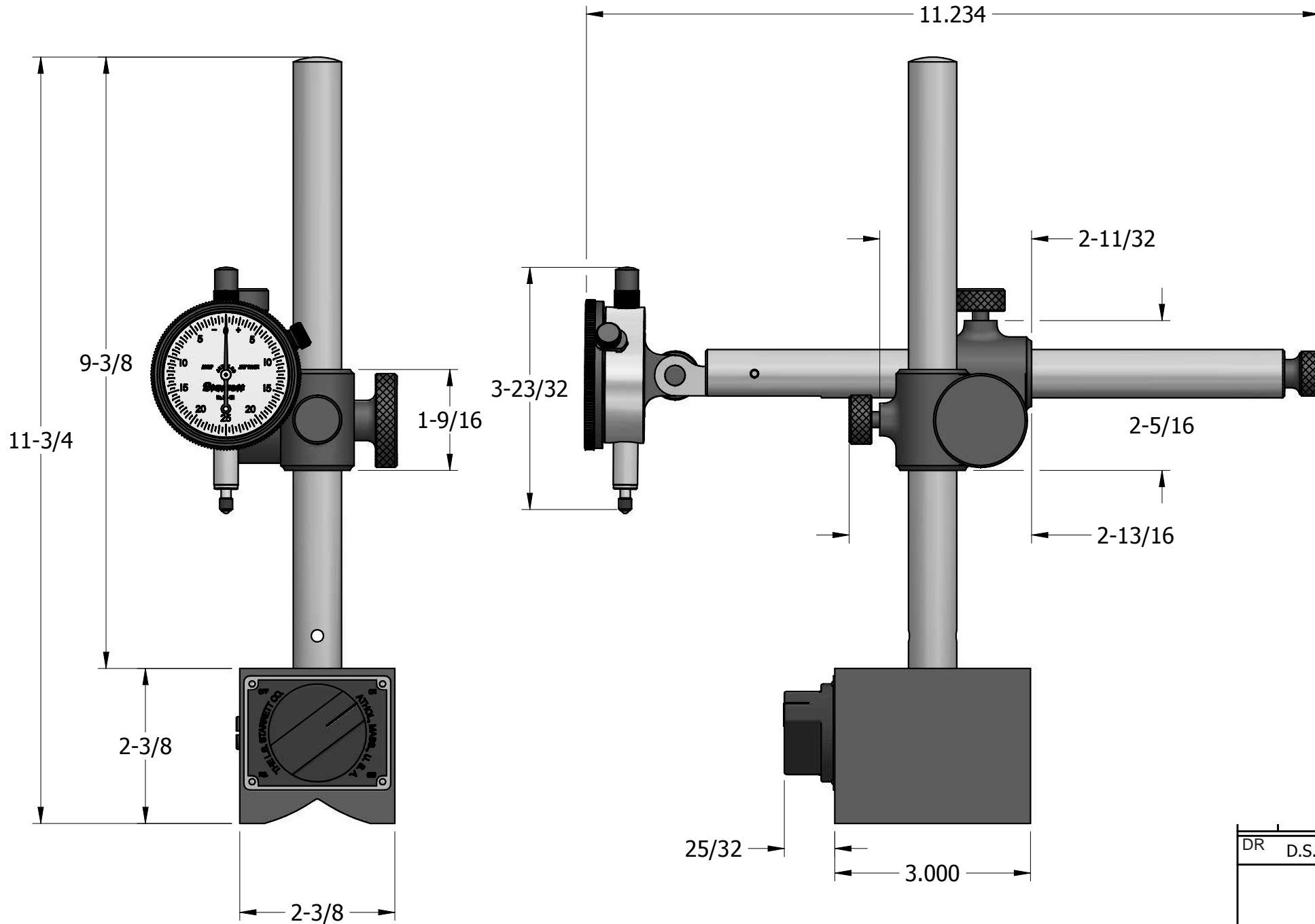
CUSTOMER DIMENSIONS

DO NOT  
SEPARATE  
PRINT FROM  
WORK

LOT NO

OPER

TOOLS




DESCRIPTION	DATE	BY
-------------	------	----

DR	D.S.	CHK	DATE
----	------	-----	------

MAGNETIC BASE  
WITH INDICATOR

THE L.S. STARRETT CO.  
ATHOL, MASS.

FRACTIONAL TOLERANCE  $\pm 1/64$  UNLESS OTHERWISE NOTED