

SH. 1
OF 1

CAT NO

674-4

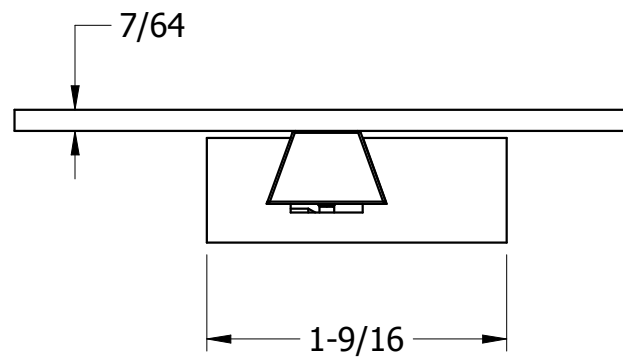
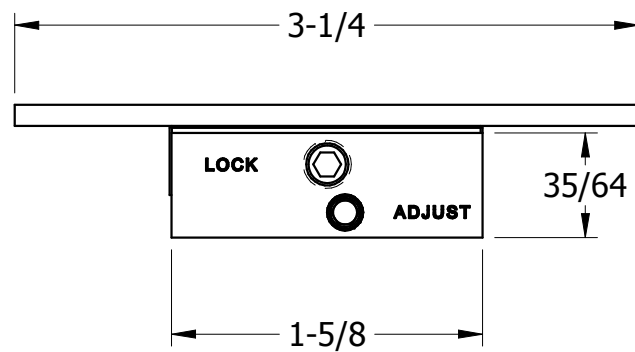
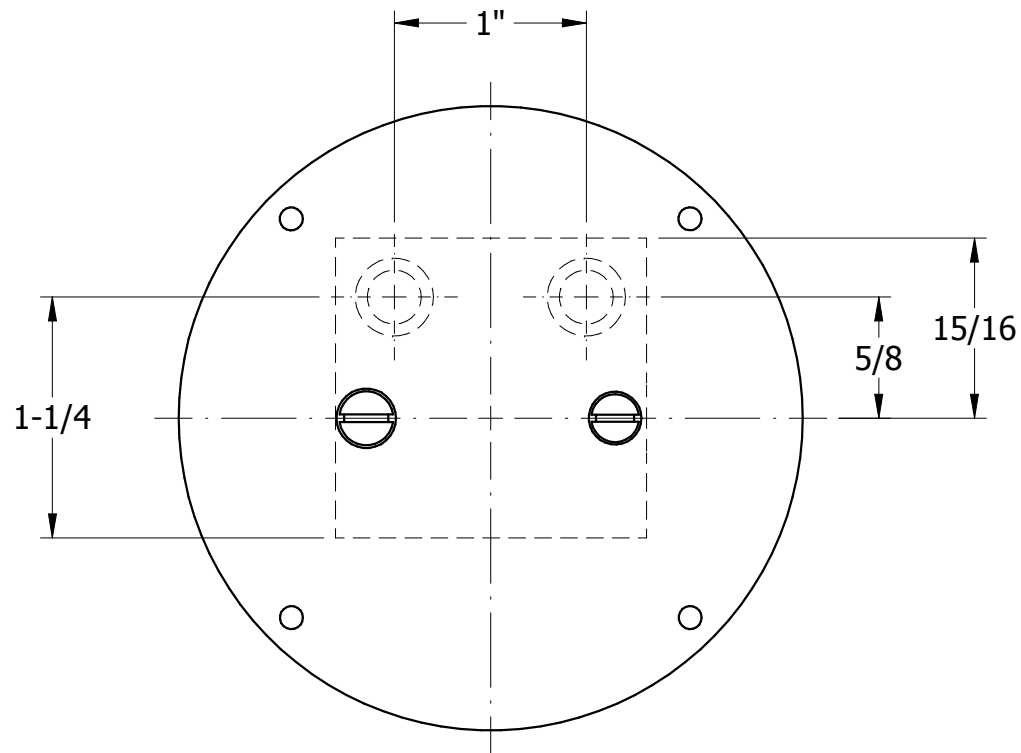
CUSTOMER DIMENSIONS

DO NOT
SEPARATE
PRINT FROM
WORK

LOT NO

OPER

TOOLS



REV	DESCRIPTION	DATE	BY
-----	-------------	------	----

DR	WRB	CHK	DATE
----	-----	-----	------

**DOVETAIL ADJUSTABLE
BACK INDICATOR HOLDER
ASSEMBLY**

**THE L.S. STARRETT CO.
ATHOL, MASS.**

FRACTIONAL TOLERANCE $\pm 1/64$ UNLESS OTHERWISE NOTED